

Contents

FCC Compliance Statement 3
 Canada Compliance Statement..... 3
 Transmitter Front and Back View 4
 Setting the Transmitter 5/6
 Connecting the Transmitter 7
 Specifications 8
 Mounting Method 9
 Warranty Information 10/11

02/12
900MHz Transmitter

Runner

FCC Compliance Statement

1. This device complies with Part 15 of the FCC Rules. Operation of this device is subject to the following two conditions:
 (1) This device may not cause harmful interference, and
 (2) This device must accept any interference received, including interference that may cause undesired operation.
 2. Changes or modifications not expressly approved by the party responsible for compliance could void the user's authority to operate the equipment.

This equipment has been tested and found to comply with the limits for a Class B digital device, pursuant to Part 15 of the FCC Rules. These limits are designed to provide reasonable protection against harmful interference in a residential installation. This equipment generates, uses and can radiate radio frequency energy and, if not installed and used in accordance with the instructions, may cause harmful interference to radio communications. However, there is no guarantee that interference will not occur in a particular installation. If this equipment does cause harmful interference to radio or television reception, which can be determined by turning the equipment off and on, the user is encouraged to try to correct the interference by one or more of the following measures:

- Reorient or relocate the receiving antenna.
- Increase the separation between the equipment and receiver.
- Connect the equipment into an outlet on a circuit different from that to which the receiver is connected.
- Consult the dealer or an experienced radio/TV technician for help.

This equipment has been verified to comply with the limits for a Class B computing device, pursuant to the FCC Rules. Operation with non-approved equipment is likely to result in interference to radio and TV reception. The user is cautioned that changed and modifications made to the equipment without the approval of the manufacturer could void the user's authority to operate this equipment.

Canada Compliance Statement

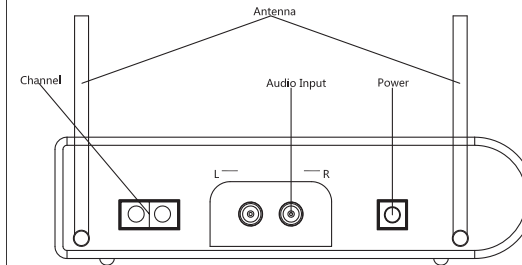
- (1) This device may not cause harmful interference, and
- (2) This device must accept any interference received, including interference that may cause undesired operation.

03/12
900MHz Transmitter

Runner

FITwave 900MHz Transmitter

Transmitter Front and Back View



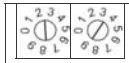
04/12
900MHz Transmitter

Runner

Setting the Channels for a FITwave /FANTAA/TRUE Entertainment or MYE Entertainment System

Use the Rotary Tuning Switches to set the left and right switches to correspond to the channel number you need to transmit on. Both transmitters have 37 possible transmitting channels.

EXAMPLE: To set your transmitter to channel "11", carefully turn the left Rotary Tuning Switch to the number "0" and turn the right switch to the number "1". Note: It is important to confirm the switch "LOCKS" on the selected number.



US and Canada Channels

Transmitter	Left Dial	Right Dial
1	0	1
2	0	2
3	0	3
4	0	4
5	0	5
6	0	6
7	0	7
8	0	8
9	0	9
10	1	0
11	1	1
12	1	2
13	1	3
14	1	4
15	1	5
16	1	6
17	1	7
18	1	8
19	1	9
20	2	0

Australia Channels

Transmitter	Left Dial	Right Dial
21	0	1
22	2	2
23	2	3
24	2	4
25	2	5
26	2	6
27	2	7
28	2	8
29	2	9
30	3	0
31	3	1
32	3	2
33	3	3
34	3	4
35	3	5
36	3	6
37	3	7

Australia USE: It is the responsibility of the user to operate the transmitter within the channels listed above as required by LAW. User accepts all responsibility for proper operation and programming.

05/12
900MHz Transmitter

Runner

Setting the Channels for a Cardio Theater LCS System

Cardio Theater LCS Frequency Settings

Channel	Left Dial	Right Dial
1	4	1
2	4	2
3	4	3
4	4	4
5	4	5
6	4	6
7	4	7
8	4	8
9	4	9
10	5	0
11	5	1
12	5	2
13	5	3
14	5	4
15	5	5
16	5	6
17	5	7
18	5	8
19	5	9
20	6	0
21	6	1
22	6	2
23	6	3
24	6	4
25	6	5
26	6	6
27	6	7
28	6	8
29	6	9
30	7	0
31	7	1
32	7	2
33	7	3
34	7	4
35	7	5
36	7	6
37	7	7
38	7	8
39	7	9
40	8	0
41	8	1
42	8	2
43	8	3
44	8	4
45	8	5
46	8	6
47	8	7
48	8	8
49	8	9
50	9	0
51	9	1
52	9	2

Setting the Channels for a Broadcast Vision System (series 2)

Channel	Frequency
1	911.45
2	911.95
3	912.95
4	914.45
5	914.95
6	916.45
7	917.45
8	918.95
9	920.45
10	920.45
11	921.95
12	922.95
13	923.45
14	924.95
15	925.95
16	926.45

06/12
900MHz Transmitter

Runner

Connecting the Transmitter to an Audio Source

Audio Output

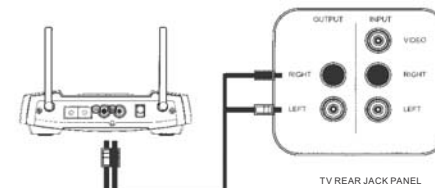
TVs, VCRs CD players, DVD players, Satellite and Radio Tuners can be used as audio sources for the transmitter. All will require stereo RCA style audio output jacks in order to use the supplied FITwave stereo audio cable. Audio sources that use different output jacks will require different audio cables.

To use a TELEVISION as an audio source for the transmitter, the TV must have "Audio Output Jacks." Televisions with this capability may come with either "Fixed" or "Variable" audio output. Please consult your television Owner's Manual as to their operation.

Connect the Transmitter

- Using the stereo audio cable supplied, connect one end into the left and right audio OUTPUT jacks of the audio source.
- Plug the other end of the audio cable into the left and right audio INPUT jacks on the transmitter.

Example: Transmitter to TV Connection



07/12
900MHz Transmitter

Runner

Connecting the Transmitter to an Audio Source - cont

Note: The Transmitter features an Automatic Level Control (ALC) to provide distortion free sound without concern for loud commercials or audio track spikes.

- Insert the DC power plug into the DC power jack on the transmitter and plug the AC power adapter into an AC outlet. The power light on the transmitter will blink "GREEN" once then stay a solid green.
- Turn on your audio source and adjust audio level. When the audio signal is being received by the transmitter at an acceptable level, the AUDIO INDICATOR LIGHT will turn GREEN.
- When using TV's with audio output, turn the speakers down or off. (Consult your TV's Owner's Manual for Fixed and Variable Audio Output operation.)
- When the audio drops BELOW an acceptable level for the Automatic Level Control (ALC) the audio light will turn OFF. A flashing GREEN audio light does not require adjustment of the audio source for normal operation. When an acceptable audio level returns to the unit, the light will turn green again. A flashing GREEN light may happen during TV programs or songs when audio is low or not present.
- When NO audio level is present for longer than 30 seconds, the audio indicator light will turn off. (If no audio light is present, check the audio level in the receiving device, then confirm all your audio cable connections and/or check the audio source equipment.)
- When audio rises ABOVE the acceptable level for the Automatic Level Control (ALC) the audio light will turn RED. If the audio light is RED for longer than 30 seconds, check and reduce the settings of the source audio equipment.
- The audio light may occasionally flash RED during some programming when audio levels momentarily rise above acceptable levels. A flashing RED audio light does not need adjustment of the audio for normal operation. When a continuous acceptable audio level is returned to the unit, the light will turn green again. This may happen during some TV programs or songs when audio levels spike naturally.
- Verify by listening through your 900MHz receiver that audio transmission is complete.

Specifications

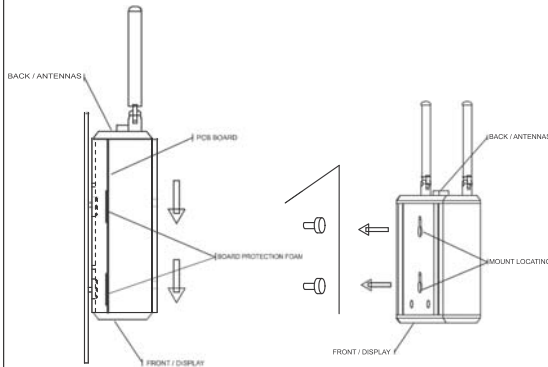
Audio Input Sensitivity	0.1 to 2 Volts peak-peak (ALC)
Audio Input Impedance	6K Ohms
Signal to Noise	-70dBm ref.7 volts
RF Output Distortion	1 mW
Distortion	<2%
Audio Frequency Response	20Hz to 18 KHz
Separation	>25dB
Weight	600g
Power Requirements	9 VDC 200 mA

08/12
900MHz Transmitter

Runner

Mounting Method

The transmitter allows for easy wall, ceiling or under-shelf mounting. Two mounting holes in the rear of the housing enable the transmitter to be attached to a wall or a ceiling by hanging on to corresponding screw accessories supplied. These screws need to be inserted into a wall or ceiling, giving the transmitter a high level of adaptability and solid positioning in nearly all mounting scenarios.



09/12
900MHz Transmitter

Runner

USER'S MANUAL 900MHz TRANSMITTER



Runner

WARRANTY Terms and Conditions

PLEASE READ THESE WARRANTY TERMS AND CONDITIONS CAREFULLY BEFORE USING YOUR FEG PRODUCT. BY USING THE EQUIPMENT, YOU ARE CONSENTING TO BE BOUND BY THE FOLLOWING WARRANTY TERMS AND CONDITIONS.

LIMITED WARRANTY

FITWAVE INTERNATIONAL TECHNOLOGIES, LLC (FITWAVE) WARRANTS ALL NEW FITWAVE PRODUCTS TO BE FREE FROM DEFECTS IN MATERIALS AND MANUFACTURERS FOR THE WARRANTY PERIODS SET FORTH BELOW. THE WARRANTY PERIODS COMMENCE ON THE INVOICE DATE OF THE ORIGINAL PURCHASE. THIS WARRANTY APPLIES ONLY AGAINST DEFECTS DISCOVERED WITHIN THE WARRANTY PERIOD AND EXTENDS ONLY TO THE ORIGINAL PURCHASER OF THE PRODUCT. PARTS REPAIRED OR REPLACED UNDER THE TERMS OF THIS WARRANTY WILL BE WARRANTED FOR THE REMAINDER OF THE ORIGINAL WARRANTY PERIOD ONLY TO CLAIM UNDER THIS WARRANTY, THE BUYER MUST NOTIFY FITWAVE YOUR AUTHORIZED FITWAVE DEALER WITHIN 30 DAYS AFTER THE DATE OF DISCOVERY OF ANY NONCONFORMITY AND MAKE THE AFFECTED PRODUCT AVAILABLE FOR INSPECTION BY FITWAVE ITS SERVICE REPRESENTATIVE. FITWAVE PRODUCTS DEEMED DEFECTIVE BY AN FITWAVE REPRESENTATIVE WILL BE ISSUED A RETURN AUTHORIZATION NUMBER. FITWAVE WILL NOT ACCEPT RETURNS WITHOUT A RETURN AUTHORIZATION NUMBER. FITWAVE RESERVES THE RIGHT, AT THEIR OPTION, TO REPAIR OR REPLACE THE PRODUCT AFTER VERIFICATION OF DEFECT. PRODUCT THAT FAILS AFTER THE WARRANTY PERIOD EXPIRES WILL BE REPAIRED OR REPLACED AT THE CURRENT PART AND LABOR PRICING AFTER AUTHORIZATION FROM THE CUSTOMER. REPAIRS ARE WARRANTED FOR 90 DAYS. FITWAVE'S OBLIGATIONS UNDER THIS WARRANTY ARE LIMITED AS SET FORTH BELOW:

WARRANTY PERIODS AND COVERAGE

FITWAVE TRANSMITTERS 3 YEAR PARTS, LABOR
FITWAVE RECEIVERS 2 YEAR PARTS, LABOR

CONDITIONS AND RESTRICTIONS:

THIS WARRANTY IS VALID ONLY IN ACCORDANCE WITH THE FOLLOWING CONDITIONS:
THE WARRANTY APPLIES TO THE FITWAVE PRODUCT ONLY 1) WHILE IT REMAINS IN THE POSSESSION OF THE ORIGINAL PURCHASER AND PROOF OF PURCHASE IS DEMONSTRATED. 2) IT HAS NOT BEEN SUBJECT TO ACCIDENT, MISUSE, ABUSE, IMPROPER SERVICE, MECHANICAL OR ELECTRICAL NON-FEG AUTHORIZED MODIFICATION. 3) CLAIMS MADE WITHIN THE WARRANTY PERIOD. THIS WARRANTY DOES NOT COVER DAMAGED OR FAILURE CAUSED BY ELECTRICAL WIRING NOT BEING IN COMPLIANCE WITH ELECTRICAL CODES OR FITWAVE'S OWNER MANUAL SPECIFICATIONS, OR FAILURES TO PROVIDE REASONABLE AND NECESSARY MAINTENANCE AS OUTLINED IN THE OWNER'S MANUAL.

WARRANTIES OUTSIDE THE UNITED STATES AND CANADA MAY VARY. PLEASE CONTACT YOUR LOCAL DEALER FOR DETAILS.

LIMITED WARRANTY SHALL NOT APPLY TO:

- SOFTWARE UPGRADES.
- NORMAL WEAR AND TEAR, CONSUMABLES AND COSMETIC ITEMS INCLUDING BUT NOT LIMITED TO LABELS.
- REPAIRS REFORMED ON TRUE PRODUCTS MISSING A SERIAL NUMBER OR WITH A SERIAL TAG THAT HAS BEEN ALTERED, REATTACHED OR DEFACED.
- SERVICE CALLS TO CORRECT INSTALLATION OF THE PRODUCT OR INSTRUCT OWNERS ON HOW TO USE THE PRODUCT.
- PICK UP AND DELIVERY INVOLVING REPAIRS.
- ANY LABOR COSTS INCURRED BEYOND THE APPLICABLE LABOR WARRANTY PERIOD.
- THE USER IS CAUTIONED THAT CHANGES OR MODIFICATIONS NOT EXPRESSLY APPROVED BY THE MANUFACTURER OF THE PRODUCT COULD VOID THE USER'S AUTHORITY TO OPERATE THE PRODUCT.

10/12
900MHz Transmitter

Runner

WARRANTY - cont.

THE WARRANTIES PROVIDED HEREIN ARE THE EXCLUSIVE WARRANTIES GIVEN BY FITWAVE AND SUPERSEDE ANY PRIOR, CONTRARY OR ADDITIONAL REPRESENTATIONS, WHETHER ORAL OR WRITTEN, ANY IMPLIED WARRANTIES, INCLUDING THE WARRANTY OF MERCHANTABILITY OR FITNESS FOR A PARTICULAR PURPOSE THAT APPLY TO ANY PARTS DESCRIBED ABOVE ARE LIMITED IN DURATION TO THE PERIODS OF EXPRESS WARRANTIES GIVEN ABOVE FOR THOSE SAME PARTS. FITWAVE HEREBY DISCLAIMS AND EXCLUDES THOSE WARRANTIES THEREAFTER. SOME STATES DO NOT ALLOW LIMITATIONS ON HOW LONG AN IMPLIED WARRANTY LASTS, SO THE ABOVE LIMITATION MAY NOT APPLY TO YOU. FITWAVE ALSO HEREBY DISCLAIMS AND EXCLUDES ALL OTHER OBLIGATIONS OR LIABILITIES, EXPRESS OR IMPLIED, ARISING BY LAW OR OTHERWISE, WITH RESPECT TO ANY NONCONFORMANCE OR DEFECT IN ANY PRODUCT, INCLUDING BUT NOT LIMITED TO: (A) ANY OBLIGATION, LIABILITY, RIGHT, CLAIM OR REMEDY IN TORT, WHETHER OR NOT ARISING FROM THE NEGLIGENCE OF TRUE OR ITS SUPPLIERS (WHETHER ACTIVE, PASSIVE OR IMPLIED); AND (B) ANY OBLIGATION, LIABILITY, RIGHT, CLAIM OR REMEDY FOR LOSS OF OR DAMAGE TO ANY PRODUCT. THIS DISCLAIMER AND RELEASE SHALL APPLY EVEN IF THE EXPRESSED WARRANTY SET FORTH ABOVE FAILS OF ITS ESSENTIAL PURPOSE.

FOR ANY PRODUCT DESCRIBED ABOVE THAT FAILS TO CONFORM TO ITS WARRANTY, FITWAVE WILL PROVIDE, AT THEIR OPTION ONE OF THE FOLLOWING: 1) REPAIR, 2) REPLACEMENT OR 3) REFUND OF THE PURCHASE PRICE.

FITWAVE AND/OR ITS SUPPLIERS SHALL HAVE NO OBLIGATION OR LIABILITY, WHETHER ARISING IN CONTRACT (INCLUDING WARRANTY), TORT (INCLUDING ACTIVE, PASSIVE, OR IMPLIED NEGLIGENCE AND STRICT LIABILITY), OR OTHERWISE, FOR DAMAGE TO THE PRODUCT, PROPERTY DAMAGE, LOSS OF USE, REVENUE OR PROFIT, COST OF CAPITAL, COST OF SUBSTITUTE PRODUCT, ADDITIONAL COSTS INCURRED BY BUYER (BY WAY OF CORRECTION OR OTHERWISE) OR ANY OTHER INCIDENTAL, SPECIAL, INDIRECT, OR CONSEQUENTIAL DAMAGES, WHETHER RESULTING FROM NON-DELIVERY OR FROM THE USE, MISUSE OR INABILITY TO USE THE PRODUCT. THIS EXCLUSION APPLIES EVEN IF THE ABOVE WARRANTY FAILS OF ITS ESSENTIAL PURPOSES AND REGARDLESS OF WHETHER SUCH DAMAGES ARE SOUGHT FOR BREACH OF WARRANTY, BREACH OF CONTRACT, NEGLIGENCE OR STRICT LIABILITY IN TORT OR UNDER ANY OTHER LEGAL THEORY. SOME STATES DO NOT ALLOW THE EXCLUSION OR LIMITATION OF INCIDENTAL OR CONSEQUENTIAL DAMAGES. SO THE ABOVE LIMITATION MAY NOT APPLY TO YOU.

THIS WARRANTY GIVES SPECIFIC LEGAL RIGHTS. YOU MAY ALSO HAVE OTHER RIGHTS WHICH VARY FROM STATE TO STATE.

11/12
900MHz Transmitter

Runner

FOR TECHNICAL ASSISTANCE PLEASE CONTACT:

FITwave International Technologies, LLC
5020 Clark Road, #411,
Sarasota, FL 34233, USA

Sales & Support: 888.905.0040

E: info@fitwave-fit.com