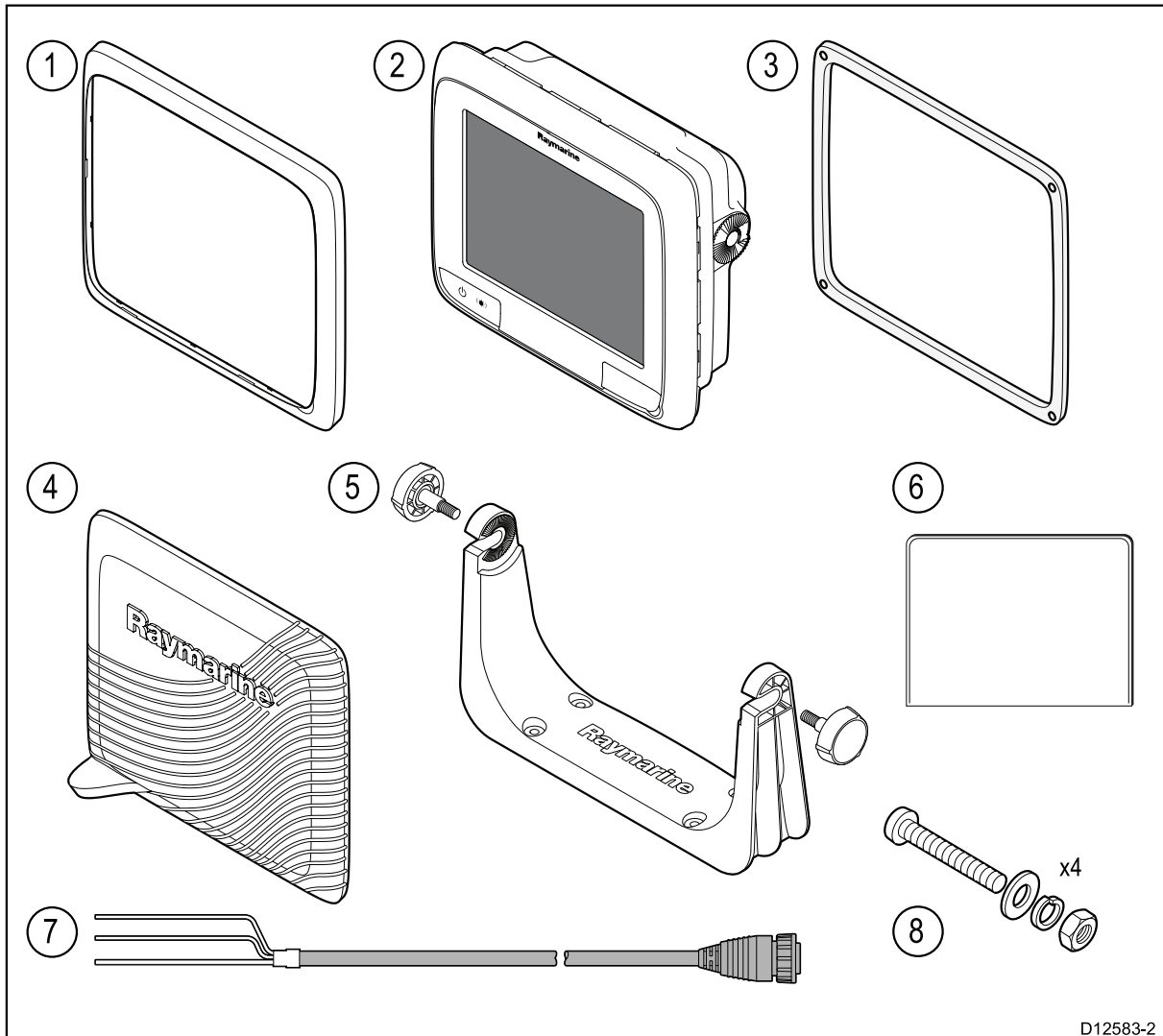


## New a Series — Supplementary information

### New a Series parts supplied

The following items are supplied with your multifunction display.

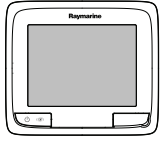





D12583-2

1	Front bezel
2	Multifunction display
3	Mounting gasket
4	Sun cover
5	Trunion bracket kit
6	Documentation pack
7	Power cable
8	4x Nuts, bolts, spring washers and washers (can be used for either surface or bracket mounting.)

## Display variants

New a Series multifunction displays are available in the following variants:

	Non-sonar variant	Sonar variant	Controls	Features
	a65 (E70076)	a67 (E70077)	 Touchscreen only	<ul style="list-style-type: none"> <li>• Bluetooth.</li> <li>• Internal GPS.</li> </ul>
	a65 WiFi (E70162)	a67 WiFi (E70163)	 Touchscreen only	<ul style="list-style-type: none"> <li>• Bluetooth.</li> <li>• Internal GPS.</li> <li>• Wi-Fi</li> </ul>

## New a Series physical specifications

<b>Dimensions</b>	<ul style="list-style-type: none"> <li>• Width: 163.57 mm (6.44 in)</li> <li>• Height (NOT including bracket): 143.47 mm (5.65 in)</li> <li>• Height (including bracket): 162.72 mm (6.41 in)</li> <li>• Depth (NOT including cables): 74.1 mm</li> <li>• Depth (including cables): 167.5 mm (6.6 in)</li> </ul>
<b>Weight (bare unit)</b>	0.715 kg (1.58 lbs)

## New a Series power specification

<b>Nominal supply voltage</b>	12 V dc
<b>Operating voltage range</b>	10.8 V dc to 15.6 V dc
<b>Fuse / Breakers</b>	The unit includes an internal fuse. It is recommended that you fit an additional thermal breaker or fuse at the distribution panel. The suitable fuse rating for the thermal breaker is dependent on the number of devices you are connecting. If in doubt consult an authorized Raymarine dealer
<b>Power consumption</b>	Full brightness: <ul style="list-style-type: none"> <li>• <b>a65 / a65 WiFi</b> — 8.6 W</li> <li>• <b>a67 / a67 WiFi</b> — 12.2 W</li> </ul> PowerSave mode: <ul style="list-style-type: none"> <li>• <b>a65 / a65 WiFi</b> — 3.8 W</li> <li>• <b>a67 / a67 WiFi</b> — 9 W</li> </ul>
<b>LEN (Refer to Seataalk<sup>ng</sup> reference manual for further information).</b>	1

## Environmental specification

Environmental specifications below apply to all display variants

<b>Operating temperature</b>	-25 °C to +55 °C (-13 °F to 131 °F)
<b>Storage temperature</b>	-30 °C to +70 °C (-22 °F to 158 °F)

Relative humidity	Maximum 75%
Waterproof rating	• IPX6 and IPX7

## New a Series display specification

Size	5.7 in
Type	TFT backlit LED
Color depth	24-bit
Resolution	640 x 480 VGA
Aspect	4:3
Viewing angle	<ul style="list-style-type: none"> <li>• Left / Right: 60 degrees</li> <li>• Top / Bottom: 60 / 50 degrees</li> </ul>
Maximum allowable wrongly illuminated pixels	5

## Data connections

### Wired connections

Network (SeaTalk <sup>hs</sup> )	• 1 x SeaTalk <sup>hs</sup> port. 100 Mbits/s. RayNet type connection.
SeaTalk <sup>ng</sup>	1 x SeaTalk <sup>ng</sup> connection.

### Wireless connections

Wi-Fi	802.11 b / g <div style="border: 1px solid black; padding: 2px; margin-top: 5px;"><b>Note:</b> Wi-Fi connection only applies to the a65 WiFi and a67 WiFi variants.</div>
Bluetooth	AVRCP 2.1+ EDR power class 1.5

## Internal GPS specification

Channels	50
Cold start	<2 minutes
Receiver IC Sensitivity	163 dBm Tracking
Satellite Based Aiding System (SBAS)	WAAS + EGNOS + MSAS
Special features	Active Jamming Reduction
Operating frequency	1575.42MHz
Signal Acquisition	Automatic
Almanac Update	Automatic
Geodetic Datum	WGS-84, alternatives available through Raymarine displays.
Update Rate	1 second
Antenna	Ceramic chip
Accuracy	<ul style="list-style-type: none"> <li>• Without SBAS: &lt;= 15 metres 95% of the time</li> <li>• With SBAS: &lt;= 5 metres 95% of the time</li> </ul>

## Internal sonar specification

The internal sonar specifications only apply to sonar variant multifunction display variants.

Operating frequencies	50 / 83 / 200 KHz
Transmit power	Up to 600 W RMS, depending on transducer
Depth range	Up to 3000 ft, depending on transducer

## Conformance specification

Conformance certification applies to all display variants

Conformance	<ul style="list-style-type: none"><li>• NMEA 2000 certification</li><li>• WiFi Alliance certification</li><li>• Bluetooth certification</li><li>• Europe: 1999/5/EC</li><li>• Australia and New Zealand: C-Tick, Compliance Level 2</li><li>• FCC 47CFR part 15</li><li>• Industry Canada RSS210</li></ul>
-------------	--