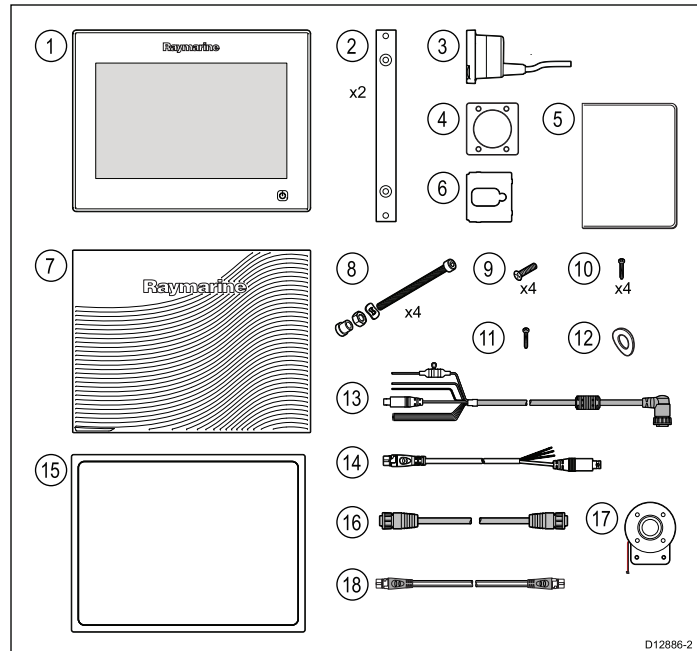


gS195 Supplementary information

Parts supplied

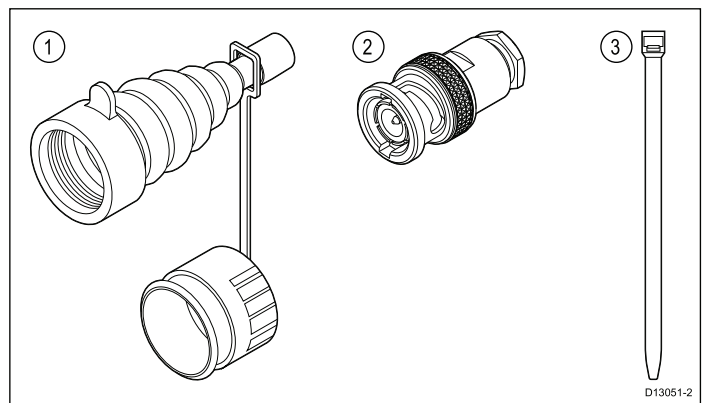
The following parts are supplied with your product.



1	Multifunction display
2	2 x Display mounting brackets
3	RCR-2 Remote Card Reader
4	Mounting gasket for RCR-2
5	Document pack
6	RCR-2 inlay card x 2
7	Sun cover
8	4 x Mounting bolts, washers, lock nuts and feet
9	4 x Bracket fixings <ul style="list-style-type: none"> • gS95 = M5 x 25 pan head • gS125 and gS165 = M5 x 25 countersunk • gS195 = M5 x 60 countersunk
10	4 x RCR-2 fixings (self-tapping screws)
11	M5 x 10 pan head screw (not supplied with gS95)
12	M5 Wavy washer (for additional grounding strap)
13	1.5 m (4.9 ft) Power / Data cable
14	2 m (6.6 ft) Video / Alarm cable
15	Display mounting gasket
16	2 m (6.6 ft) RayNet cable
17	Auxiliary alarm
18	1m (3.28 ft) SeaTalk ^{ng} spur cable

HD-SDI additional parts supplied

The gS195 is supplied with the following additional parts for use with the HD-SDI connection.



1	Protective boot
2	75 ohm BNC connector
4	Cable ties x 2 (to secure the protective boot)

gS Series accessories

The following accessories are available for gS Series displays.

Description	Part number
RMK-9 remote keypad	A80217
RCR-2 Remote Card Reader	A80218
5 m (16.4 ft) gS Series Video out cable (HDMI)	A80219
2 m (6.6 ft) gS Series Video In / Alarm Out cable	A80235
1.5 m (4.9 ft) Straight power and data cable	R62379
1.5 m (4.9 ft) Right angled power and data cable	R70029

gS Series spares

The following accessories are available for gS Series displays.

Description	Part number
gS95 suncover	R70180
gS125 suncover	R70181
gS165 suncover	R70182
gS195 suncover	R70290
gS195 BNC (HD-SDI) protective boot kit	R70292
Card reader door	R70183
Card reader fitting kit	R70184
gS95 Mounting kit	A80220
gS125 Mounting kit	A80263
gS165 Mounting kit	A80264
gS195 Mounting kit	R70291

Physical specifications

	gS195
Dimensions	<ul style="list-style-type: none"> • Width: 433.9 mm (17 in.) • Height: 391.2 mm (15.4 in.) • Depth (NOT including cables): 83.9 mm (3.3 in.) • Depth (including cables): 198 mm (7.8 in.)
Weight (bare unit)	9.6 Kg (21.2 lbs)

Power specification

Nominal supply voltage	12 V dc to 24 V dc
Operating voltage range	10.8 V dc to 31.2 V dc
Fuse / Breakers	In-line fuse (fitted within power cable) <ul style="list-style-type: none"> • 15 A. (Standard 20 mm glass fuse)

Environmental specification

Environmental specifications below apply to all display variants

Operating temperature	-25 °C to +55 °C (-13 °F to 131 °F)
Storage temperature	-30 °C to +70 °C (-22 °F to 158 °F)
Relative humidity	Maximum 75%
Waterproof rating	IPX6

Display specification

	gS195
Size	19 in.
Type	TFT backlit LED
Color depth	24-bit
Resolution	1280 x 1024 pixels (SXGA)
Aspect Ratio	4:3
Maximum allowable wrongly illuminated pixels	5

Data connections

Wired connections

NMEA 0183	2x NMEA 0183 ports: <ul style="list-style-type: none"> • NMEA port 1: Input and output, 4800 / 38400 baud • NMEA port 2: Input only, 4800 / 38400 baud
Network (SeaTalk^{hs})	<ul style="list-style-type: none"> • gS95, gS125, gS165 – 3 x RayNet SeaTalk^{hs} ports. 10 / 100 / 1000 Mbits/s with PoE • gS195– 2x RayNet SeaTalk^{hs} ports. 10 / 100 / 1000 Mbits/s with PoE
SeaTalk^{ng}	1 x SeaTalk ^{ng} connection

Remote Card Reader	1 x Remote Card Reader connection
Alarm	1 x Alarm output

Wireless connections

Wi-Fi	802.11 b / g
Bluetooth	AVRCP 2.1+ EDR power class 1.5

Video specification

Format	PAL or NTSC
Connector type	<ul style="list-style-type: none"> • 1 x HDMI output • *1 x BNC connector (HD-SDI input gS195 only) • 2 x composite video inputs
Output resolution	720p (fixed)

HD-SDI interface specification

The HD-SDI interface specification for the gS195 is below.

Format	PAL or NTSC
Connector type	BNC connectors (75 ohm nominal impedance)
Input resolution	<ul style="list-style-type: none"> • 720p (up to 60 fps) • 1080p (up to 30 fps)
Camera audio	No

Conformance specification

Conformance certification applies to all display variants

Conformance	<ul style="list-style-type: none"> • NMEA 2000 certification • WiFi Alliance certification • Bluetooth certification • Europe: 1999/5/EC • Australia and New Zealand: C-Tick, Compliance Level 2 • FCC 47CFR part 15 • Industry Canada RSS210
--------------------	--