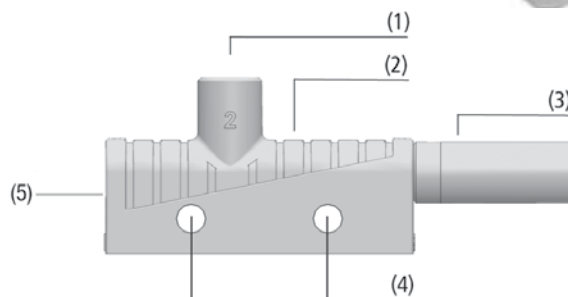




Basic Ejectors – NSBPX Series

Suction rate from 0.3 SCFM to 7.5 SCFM

The basic ejectors are typically used for high-speed handling of air-tight work pieces, especially in systems with decentralized vacuum generation; Handling of electronic component; Separation systems for plastic and sheet metal machining. This type of ejector is typically used if the user is just looking for the base ejector unit with no additional features. If additional features are required, refer to Numatics “NSBPC Series”.



Design Features

Suction capacity up to 7.5 SCFM; Nozzle diameter: 0.5 to 2.5mm; Maximum vacuum 85%; One-piece impact resistant plastic body; Silencer (standard). Port Size: M5 to G3/8



Design

- Ejector with single stage nozzle: available in six power ratings
- One-piece housing (2) made of light, impact-resistant plastic
- Connection of compressed air (5) and vacuum (1) with threaded holes
- Open silencer (3)
- Can be fixed horizontal with mounting holes (4) or vertical with the base on a mounting plate
- Optional mounting with mounting plate and mounting kit on DIN top-hat rails

Technical Data Basic Ejectors NSBPX Series

Type	Nozzle-Ø (mm)	Degree of evacuation (%)	Max. suction rate (l/min)	Max. suction rate (m³/h)	Air consumpt. during evac. (l/min)*	Air consumpt. during evac. (m³/h)*	Noise level workp. gripped (dB)
NSBPX 05	0.5	85	8.0	0.5	14	0.8	53
NSBPX 07	0.7	85	16.0	1.0	22	1.3	59
NSBPX 10	1.0	85	37.7	2.3	48	2.9	59
NSBPX 15	1.5	85	71.0	4.3	105	6.3	65
NSBPX 20	2.0	85	127.0	7.6	197	11.8	68
NSBPX 25	2.5	85	215.0	12.9	311	18.7	70

*At optimal operating pressure

**For max. length 2 m

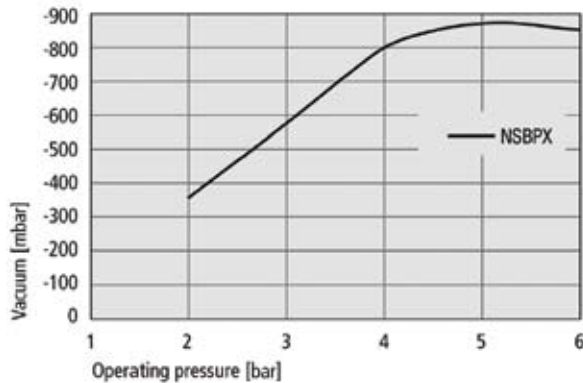
Technical Data Basic Ejectors NSBPX Series

Type	Noise level free (dB)	Operating pressure (bar)	Recomm. int. hose diameter compr. air (mm)**	Recomm. int. hose diameter vacuum (mm)**	Weight (kg)	Operating temperature (°C)
NSBPX 05	58	3 - 6	2	2	.0075	0 - 60
NSBPX 07	65	3 - 6	2	2	.0075	0 - 60
NSBPX 10	65	3 - 6	4	6	.022	0 - 60
NSBPX 15	72	3 - 6	4	6	.022	0 - 60
NSBPX 20	77	3 - 6	6	7	.05	0 - 60
NSBPX 25	78	3 - 6	6	7	.05	0 - 60

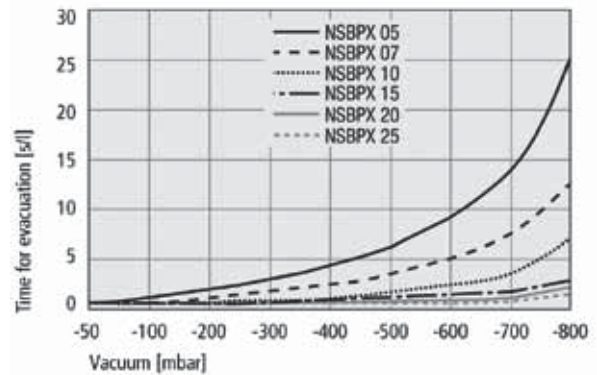
*At optimal operating pressure

**For max. length 2 m

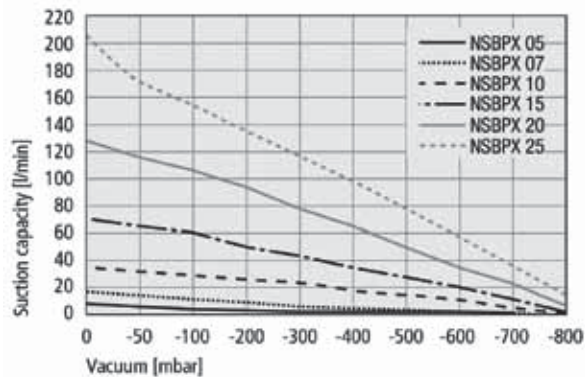
Performance Data Basic Ejectors NSBPX Series



Achievable vacuum at various operating pressures



Evacuation times for various vacuum ranges



Suction capacity at various degrees of evacuation

Suction Capacity in l/min at Various Degrees of Evacuation

Type	Degree of evacuation in mbar									
	0	-50	-100	-200	-300	-400	-500	-600	-700	-800
NSBPX005XXXSDG1	8.00	6.62	5.64	4.74	3.81	3.01	2.28	1.42	0.40	0.10
NSBPX007XXXSDG1	16.10	13.60	11.37	9.03	7.25	5.63	3.97	2.65	1.10	0.30
NSBPX010XXXSDG2	37.70	33.20	30.10	26.70	23.00	18.60	14.90	9.80	5.20	1.61
NSBPX015XXXSDG1	71.00	65.00	60.10	52.00	44.00	36.50	29.00	20.50	11.40	2.18
NSBPX020XXXSDG3	127.00	117.80	106.00	94.20	79.10	65.30	49.87	35.99	23.00	8.36
NSBPX025XXXSDG3	215.00	172.00	156.10	138.70	118.50	99.10	79.36	58.90	37.24	16.24

Performance Data Basic Ejectors NSBPX Series Continued

Evacuation Time in s/l for Various Vacuum Ranges

Type	Degree of evacuation in mbar								
	-50	-100	-200	-300	-400	-500	-600	-700	-800
NSBPX005XXXSDG1	0.34	0.68	1.56	2.66	4.02	5.84	8.54	13.22	25.54
NSBPX007XXXSDG1	0.20	0.38	0.84	1.46	2.24	3.26	4.66	6.84	12.56
NSBPX010XXXSDG2	0.06	0.14	0.30	0.52	0.82	1.30	1.98	3.26	6.56
NSBPX015XXXSDG1	0.05	0.08	0.16	0.26	0.40	0.60	0.86	1.30	2.54
NSBPX020XXXSDG3	0.03	0.05	0.09	0.16	0.24	0.34	0.49	0.80	1.74
NSBPX025XXXSDG3	0.03	0.04	0.07	0.09	0.14	0.20	0.28	0.42	0.99

How to Order

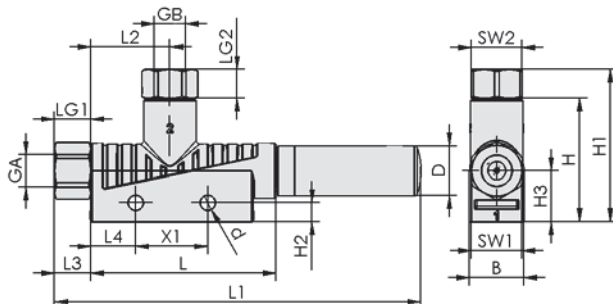
NSBPX Series

Part Number	Nozzle Size (mm)	Thread Type / Port Size		Numatics Description
		Pressure	Vacuum	
NSBPX005XXXSDG1	0.7	M5 - F	M5 - F	Basic Ejectors - Single Stage
NSBPX007XXXSDG1	0.7	M5 - F	M5 - F	
NSBPX010XXXSDG2	1.0	G1/8 - F	G1/8 - F	
NSBPX015XXXSDG1	1.5	G1/8 - F	G1/8 - F	
NSBPX020XXXSDG3	2.0	G1/4 - F	G3/8 - F	
NSBPX025XXXSDG3	2.5	G1/4 - F	G3/8 - F	

Product Family Name	Part Number	Description
Accessories	NBEPL1111453SBP	Mtg Plate NSBP EJT
	NSETSBPX0056CFN	Mtg. Set NSBP/NSBPC M4F
	NSDXXXXXXXX24BMM	Silencer Replacement NSBPX 05
	NSDXXXXXXXX401MG	Silencer Replacement NSBPX 07 to 10
	NSDXXXXXXXX763MG	Silencer Replacement NSBPX 20 to 25

Dimensions: mm

NSBPX Series



Type	B	d	D	GA	GB	H	H1	H2	H3	L	L1	L2	L3	L4	LG1	LG2	SW1	SW2	X1
NSBPX005XXXSDG1	10	4.2	9	M5-F	M5-F	26	31	5.2	12	45	74	18	5	12.5	5	5	8	8	20
NSBPX007XXXSDG1	10	4.2	9	M5-F	M5-F	26	31	5.2	12	45	74	18	5	12.5	5	5	8	8	20
NSBPX010XXXSDG2	15	4.2	14	G1/8-F	G1/8-F	34	42	5.2	14	51.5	102	22	10	12.5	8	8	14	14	20
NSBPX015XXXSDG1	15	4.2	14	G1/8-F	G1/8-F	34	42	5.2	14	51.5	102	22	10	12.5	8	8	14	14	20
NSBPX020XXXSDG3	20	4.2	20	G1/4-F	G3/8-F	39	53.5	5.2	17	86.5	176	24.5	13	12.5	9	10	17	19	20
NSBPX025XXXSDG3	20	4.2	20	G1/4-F	G3/8-F	39	53.5	5.2	17	86.5	176	24.5	13	12.5	9	10	17	19	20



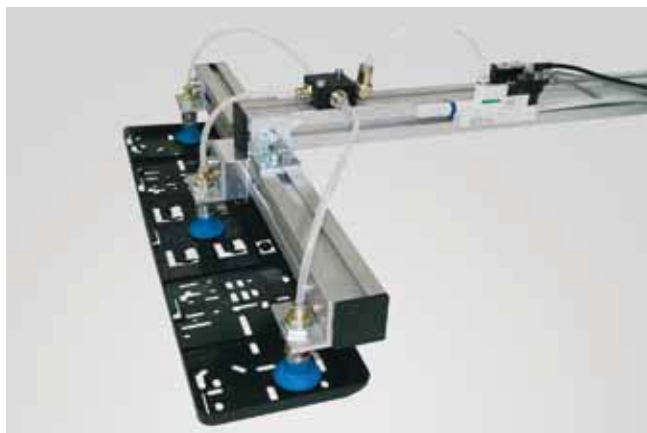
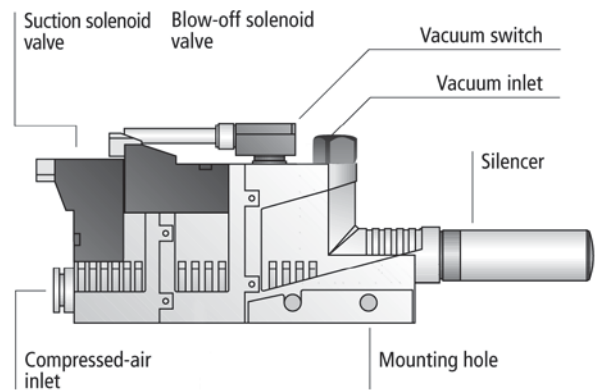
Basic Ejectors – NSBPC Series

Suction rate from 0.2 SCFM to 7.5 SCFM

The basic ejectors are typically used for high-speed handling of suction-tight work pieces, especially in systems with decentralized vacuum generation; Handling of electronic components; Separation systems for plastic and sheet metal machining.

Design Features

Suction rates up to 7.5 SCFM; Nozzle diameter: 1 to 2.5mm; Silencer (standard); Maximum vacuum 85%; One-piece impact resistant plastic body. Optional features include suction solenoid valve (N.O.), blow-off solenoid valve, and vacuum switch with teach button (PNP).



Central vacuum generation by means of basic ejector NSBPC for handling plastic injection molded parts

Design

- Ejector with single stage nozzle, available in 4 power ratings, from 1.0 to 2.5 mm nozzle diameter
- Basic housing with connection facility for a vacuum switch
- Optionally available with suction or blow-off and vacuum switch
- Can be fixed horizontal with mounting holes or vertical with the base on a mounting plate
- Optional mounting with mounting plate and mounting kit on DIN top-hat rails

Technical Data Basic Ejectors NSBPC

Type	Nozzle-Ø (mm)	Degree of evacuation (%)	Max. suction rate (l/min)	Max. suction rate (m³/h)	Air consumpt. during evac. (l/min)*	Air consumpt. during evac. (m³/h)*	Noise level workp. gripped (dB)
NSBPC 10	1.0	85	38	2.3	48	2.9	59
NSBPC 15	1.5	85	70	4.2	118	7.1	65
NSBPC 20	2.0	85	123	7.4	208	12.5	68
NSBPC 25	2.5	85	215	12.9	311	18.7	70

*The supply voltage for vacuum switches and solenoid valves is 24 VDC

**On version with solenoid valves NSBP-C 25 (320) and optimal operating pressure **For max. length 2 m

Technical Data Basic Ejectors NSBPC Series

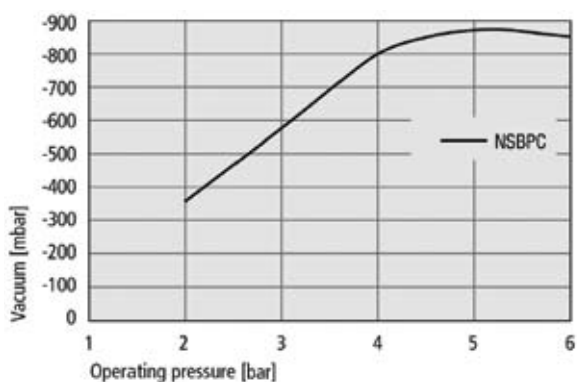
Type	Noise level free (dB)	Operating pressure (bar)	Recomm. int. hose diameter compr. air (mm)**	Recomm. int. hose diameter vacuum (mm)**	Weight (g)	Operating temperature (°C)
NSBPC 10	65	3 - 6	4	6	105	0 - 50
NSBPC 15	72	3 - 6	4	6	105	0 - 50
NSBPC 20	77	3 - 6	6	7	143	0 - 50
NSBPC 25	78	3 - 6	6	7	143	0 - 50

!The supply voltage for vacuum switches and solenoid valves is 24 VDC
 *On version with solenoid valves NSBP-C 25 (320) and optimal operating pressure
 **For max. length 2 m

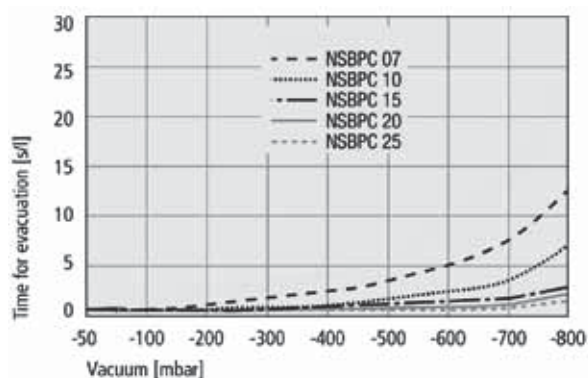
Vacuum Generators

Generators-Ejectors: NSBPC Series

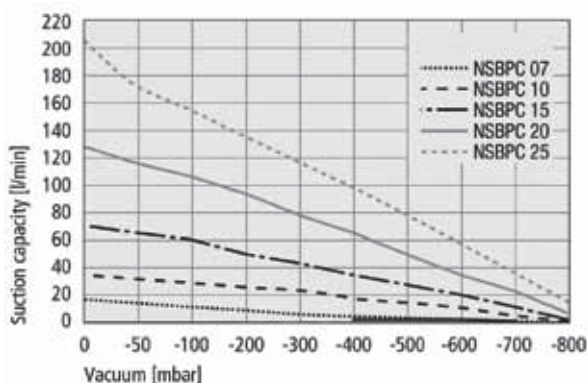
Performance Data Basic Ejectors NSBPC Series



Achievable vacuum at various operating pressures



Evacuation times for various vacuum ranges



Suction capacity at various degrees of evacuation

Suction Capacity in l/min at Various Degrees of Evacuation

Type	Degree of evacuation in mbar									
	0	-50	-100	-200	-300	-400	-500	-600	-700	-800
NSBPC 10	38.00	33.20	30.10	26.70	23.00	18.60	14.90	9.80	5.20	1.61
NSBPC 15	70.00	65.00	60.10	52.00	44.00	36.50	29.00	20.50	11.40	2.18
NSBPC 20	123.00	115.00	104.00	93.00	78.00	64.00	49.00	35.50	23.00	8.00
NSBPC 25	215.00	175.00	157.50	139.50	119.00	99.50	79.60	59.00	37.30	16.30

Evacuation Time in s/l for Various Vacuum Ranges

Type	Degree of evacuation in mbar									
	-50	-100	-200	-300	-400	-500	-600	-700	-800	
NSBPC 10	0.06	0.14	0.30	0.52	0.82	1.30	1.98	3.26	6.56	
NSBPC 15	0.05	0.08	0.16	0.26	0.40	0.60	0.86	1.30	2.54	
NSBPC 20	0.03	0.05	0.09	0.16	0.24	0.34	0.49	0.80	1.74	
NSBPC 25	0.02	0.03	0.06	0.09	0.14	0.20	0.28	0.42	0.99	

How to Order

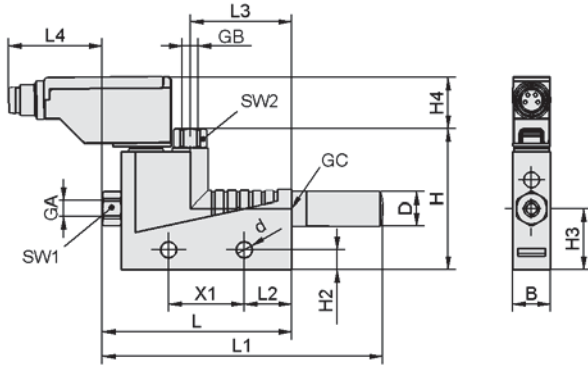
NSBPC Series

Product Family Name	Part number	Nozzle Size (mm)	Thread Type / Port Size		Description - Features
			Pressure	Vacuum	
Basic ejectors - single stage with additional features	NSBPC010XXXVTG2	1.0	G1/8 - F	G1/8 - F	Basic ejector; vacuum switch (PNP)
	NSBPC010ANOXXG2	1.0	G1/8 - F	G1/8 - F	Basic ejector; suction valve; blow off valve
	NSBPC010ANOVTG2	1.0	G1/8 - F	G1/8 - F	Basic ejector; suction valve; blow off valve; vacuum switch (PNP)
	NSBPC015XXXVTG2	1.5	G1/8 - F	G1/8 - F	Basic ejector; vacuum switch (PNP)
	NSBPC015ANOXXG2	1.5	G1/8 - F	G1/8 - F	Basic ejector; suction valve; blow off valve
	NSBPC015ANOVTG2	1.5	G1/8 - F	G1/8 - F	Basic ejector; suction valve; blow off valve; vacuum switch (PNP)
	NSBPC020XXXVTG3	2.0	G1/4 - F	G3/8 - F	Basic ejector; vacuum switch (PNP)
	NSBPC020ANOXXG3	2.0	G1/4 - F	G3/8 - F	Basic ejector; suction valve; blow off valve;
	NSBPC020ANOVTG3	2.0	G1/4 - F	G3/8 - F	Basic ejector; suction valve; blow off valve; vacuum switch (PNP)
	NSBPC025XXXVTG3	2.5	G1/4 - F	G3/8 - F	Basic ejector; vacuum switch (PNP)
	NSBPC025ANOXXG3	2.5	G1/4 - F	G3/8 - F	Basic ejector; suction valve; blow off valve
	NSBPC025ANOVTG3	2.5	G1/4 - F	G3/8 - F	Basic ejector; suction valve; blow off valve; vacuum switch (PNP)

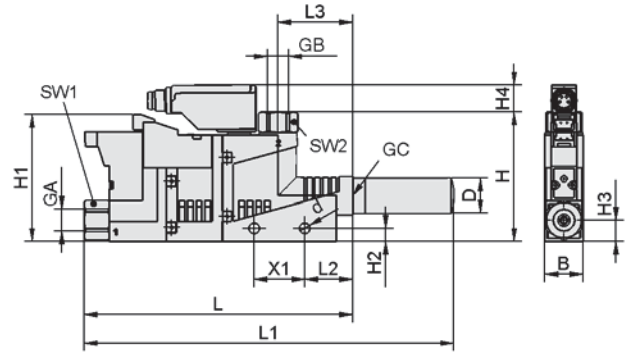
Product Family Name	Part Number	Description
Accessories	NBEPL1111453SBP	Mtg Plate NSBP EJT
	NSETSBPX0056CFN	Mtg. Set NSBP/NSBPC M4F
	NSDXXXXXX401MG	Silencer Replacement NSBPC 07 to 10
	NSDXXXXXX763MG	Silencer Replacement NSBPC 20 to 25
	NASKMIC1030PUGE	3 meter connection cable for solenoid valve
	NASKBM8450PURGE	Cable M8 4 5M PUR GE - Straight Connection
	NASKBM8450PURWX	Cable M8 4 5M PUR W - Right-angle connection

Dimensions: mm, Weight in kg

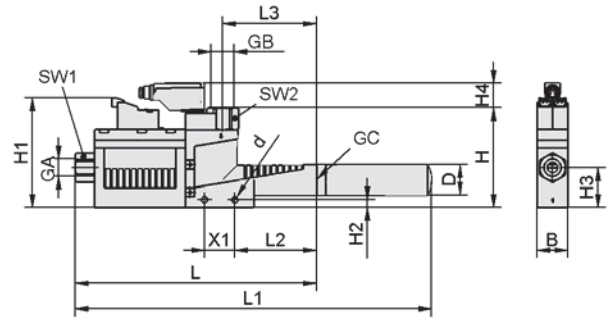
NSBPC 010/015 (VT) G2 and 020/025 (VT) G3



NSBPC 010/015 ANO(VT)G2



NSBPC 020/025 ANO(VT)G3



Type	B	d	D	GA	GB
NSBPC010XXXVTG2	15	4.2	13.5	G1/8-F	G1/8-F
NSBPC015XXXVTG2	15	4.2	13.5	G1/8-F	G1/8-F
NSBPC020XXXVTG3	20	4.2	20	G1/4-F	G3/8-F
NSBPC025XXXVTG3	20	4.2	20	G1/4-F	G3/8-F
NSBPC010ANOXXG2	15	4.2	13.5	G1/8-F	G1/8-F
NSBPC015ANOXXG2	15	4.2	13.5	G1/8-F	G1/8-F
NSBPC020ANOXXG3	20	4.2	20	G1/4-F	G3/8-F
NSBPC025ANOXXG3	20	4.2	20	G1/4-F	G3/8-F
NSBPC010ANOVGT2	15	4.2	13.5	G1/8-F	G1/8-F
NSBPC015ANOVGT2	15	4.2	13.5	G1/8-F	G1/8-F
NSBPC020ANOVGT3	20	4.2	20	G1/4-F	G3/8-F
NSBPC025ANOVGT3	20	4.2	20	G1/4-F	G3/8-F

Type	GC	H	H1	H2	H3	H4	L	L1	L2	L3	L4	SW1	SW2	X1	kg
NSBPC010XXXVTG2	G1/8-F	51	-	5.2	18	11.8	61.5	101.5	19	29.5	19.8	14	14	20	0.105
NSBPC015XXXVTG2	G1/8-F	51	-	5.2	18	11.8	61.5	101.5	19	29.5	19.8	14	14	20	0.105
NSBPC020XXXVTG3	G3/8-F	65.5	-	5.2	18	17.3	99.5	175.5	54	62	17.8	17	19	20	0.143
NSBPC025XXXVTG3	G3/8-F	65.5	-	5.2	18	17.3	99.5	175.5	54	62	17.8	17	19	20	0.143
NSBPC010ANOXXG2	G1/8-F	51	50	5.2	8.5	-	106	146	19	29.5	-	14	14	20	0.07
NSBPC015ANOXXG2	G1/8-F	51	50	5.2	8.5	-	106	146	19	29.5	-	14	14	20	0.07
NSBPC020ANOXXG3	G3/8-F	65.5	72	5.2	8.5	-	159.5	235.5	54	62	-	17	19	20	0.144
NSBPC025ANOXXG3	G3/8-F	65.5	72	5.2	8.5	-	159.5	235.5	54	62	-	17	19	20	0.144
NSBPC010ANOVGT2	G1/8-F	49	50	5.2	8.5	14.2	101.5	141.5	12.5	29.5	-	-	-	20	0.14
NSBPC015ANOVGT2	G1/8-F	49	50	5.2	8.5	14.2	101.5	141.5	12.5	29.5	-	-	-	20	0.14
NSBPC020ANOVGT3	G3/8-F	65.5	72	5.2	26	17.3	159.5	235.5	54	62	-	17	19	20	0.22
NSBPC025ANOVGT3	G3/8-F	65.5	72	5.2	26	17.3	159.5	235.5	54	62	-	17	19	20	0.22



Basic Ejectors – NSEGX Series

Suction Rate from 0.3 SCFM to 8.5 SCFM

Basic ejector that is robust for universal use in various industries and applications. Examples include sheet metal handling in automotive related applications, wood, food and packing.

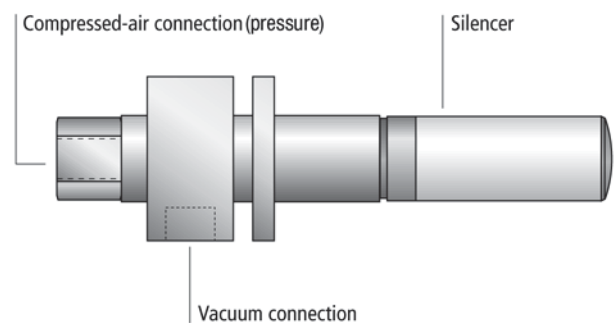
Design Features

Suction capacity up to 8.5 SCFM; Nozzle diameter 0.5 to 3mm; Silencer (standard); Maximum vacuum 85%; Anodized aluminum body with brass nozzle and plastic impact resistant silencer. Port sizes: G1/8 to G1/2

Note: Nozzle size of 3mm has silencer internal port size of G3/4



Decentral vacuum generation by means of basic ejectors NSEGX for handling plastic parts



Design

- Ejector with single stage nozzle, available in seven power ratings

Technical Data Basic Ejectors NSEGX

Type	Nozzle diameter	Degree of evacuation [%]	Suction rate (l/min)	Suction rate (m³/h)	Air consumption (l/min)	Air consumption (m³/h)	Recommended hose diameter compressed-air (mm)	Recommended hose diameter vacuum (mm)	Operating pressure (bar)	Operating temperature (°C)	Weight (kg)
NSEG 05	0.5	82	7	0.4	13	0.8	2	2	5	-10 - 80	0.011
NSEG 07	0.7	85	14	0.8	21	1.3	2	4	5	-10 - 80	0.045
NSEG 10	1	85	34	2	49	2.9	2	4	5	-10 - 80	0.05
NSEG 15	1.5	85	69	4.1	102	6.1	4	6	5	-10 - 80	0.11
NSEG 20	2	85	124	7.4	186	11.2	4	9	5	-10 - 80	0.13
NSEG 25	2.5	55	170	10.2	186	11.2	4	9	5	-10 - 80	0.295
NSEG 30	3	85	240	14.4	392	23.5	6	12	5	-10 - 80	0.404

*At optimal operating pressure

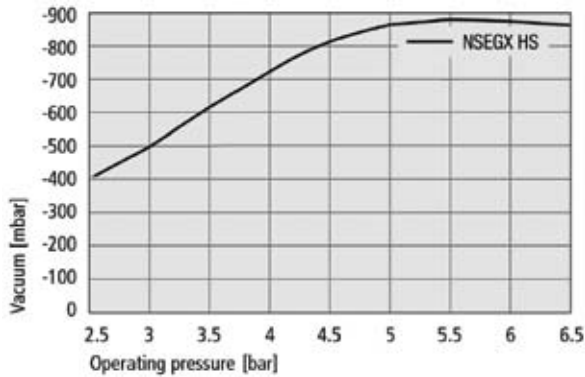
**For max. length 2 m

Vacuum Generators

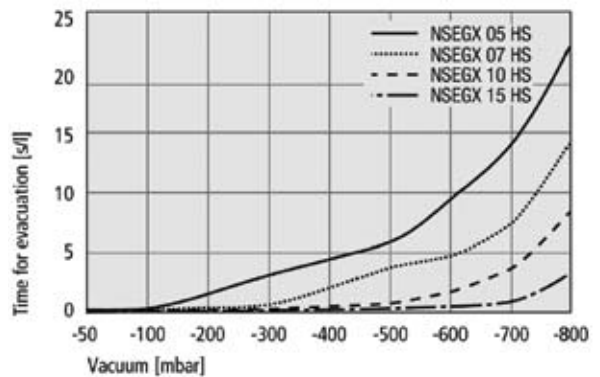
Generators-Ejectors: NSEGX Series

Performance Data Basic Ejectors NSEGX Series

Vacuum Generators

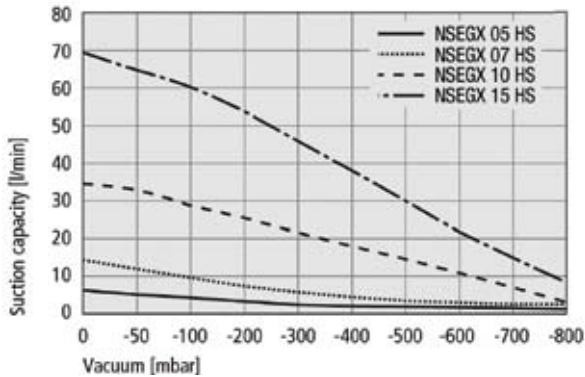


Achievable vacuum at various operating pressures

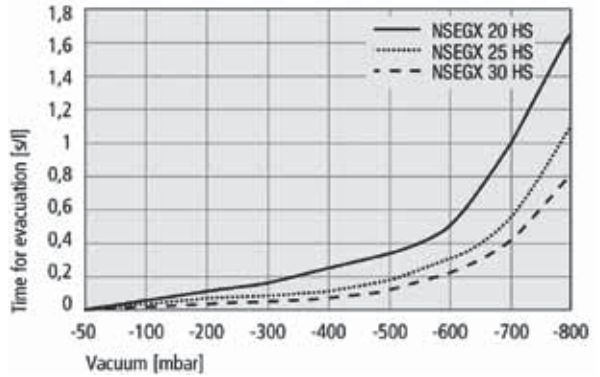


Evacuation times for various vacuum ranges

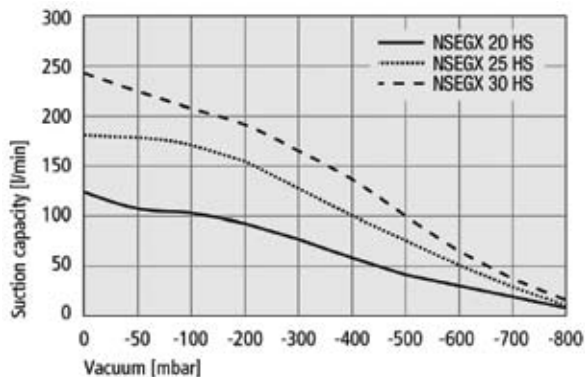
Generators-Ejectors: NSEGX Series



Suction capacity at various degrees of evacuation



Evacuation times for various vacuum ranges



Suction capacity at various degrees of evacuation

Suction Capacity in l/min at Various Degrees of Evacuation

Type	Degree of evacuation in mbar									
	0	-50	-100	-200	-300	-400	-500	-600	-700	-800
NSEGX005HSNSSDA	7.0	5.9	5.1	4.3	3.4	2.6	1.9	1.4	0.5	0.2
NSEGX007HSHVSDA	14.0	11.7	10.3	8.6	6.8	5.3	3.9	2.8	1.1	0.4
NSEGX010HSHVSDA	34.0	33.0	29.0	25.0	22.0	18.0	15.0	9.0	6.0	3.0
NSEGX015HSHVSDA	69.0	64.0	60.0	53.0	43.0	36.0	30.0	22.0	16.0	8.0
NSEGX020HSHVSDA	124.0	116.0	104.0	92.0	78.0	64.0	48.0	32.0	23.0	10.0
NSEGX025HSHVSDA	184.0	180.0	17.0	146.0	120.0	96.0	72.0	47.0	28.0	13.0
NSEGX030HSHVSDA	240.0	225.0	215.0	198.0	165.0	130.0	100.0	64.0	36.0	16.0

Evacuation Time in s/l for Various Vacuum Ranges

Type	Degree of evacuation in mbar									
	-50	-100	-200	-300	-400	-500	-600	-700	-800	
NSEGX005HSNSSDA	0.34	0.76	1.80	3.02	4.55	6.57	9.58	14.80	22.40	
NSEGX007HSHVSDA	0.17	0.36	0.85	1.45	2.18	3.25	4.67	7.34	14.60	
NSEGX010HSHVSDA	0.09	0.16	0.34	0.59	0.96	1.42	2.03	3.30	7.36	
NSEGX015HSHVSDA	0.05	0.07	0.19	0.31	0.48	0.72	1.12	1.70	3.60	
NSEGX020HSHVSDA	0.03	0.05	0.11	0.16	0.24	0.35	0.50	1.08	1.65	
NSEGX025HSHVSDA	0.03	0.04	0.07	0.09	0.14	0.20	0.30	0.49	1.10	
NSEGX030HSHVSDA	0.01	0.02	0.04	0.06	0.10	0.15	0.21	0.42	0.80	

How to Order

NSEGX Series

Product Family Name	Part number	Nozzle Size (mm)	Thread Type / Port Size		Description - Features
			Pressure	Vacuum	
Basic ejectors - single stage (aluminum)	NSEGX005HSNSSDA	0.5	M5 - F	M5 - F	High Speed and Narrow Shape
	NSEGX007HSHVSDA	0.7	G1/8 - F	G1/8 - F	High Speed (High Vacuum)
	NSEGX010HSHVSDA	1.0	G1/8 - F	G1/8 - F	High Speed (High Vacuum)
	NSEGX015HSHVSDA	1.5	G1/4 - F	G1/4 - F	High Speed (High Vacuum)
	NSEGX020HSHVSDA	2.0	G1/4 - F	G1/4 - F	High Speed (High Vacuum)
	NSEGX025HSHVSDA	2.5	G3/8 - F	G1/2 - F	High Speed (High Vacuum)
	NSEGX030HSHVSDA	3.0	G3/8 - F	G1/2 - F	High Speed (High Vacuum)

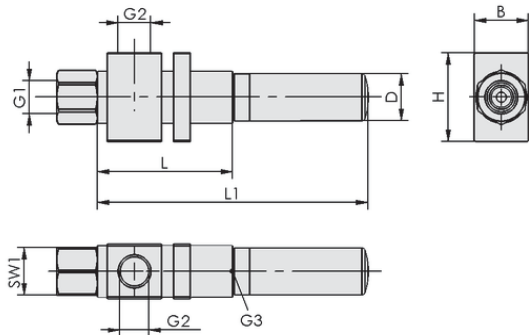
Product Family Name	Part Number	Description
Accessories	NSDXXXXXX24BMM	Silencer Replacement NSEG 05
	NSDXXXXXX401MG	Silencer Replacement NSEG 07 to 10

Vacuum Generators

Generators-Ejectors: NSEGX Series

Dimensions: mm

NSEG 05 to 30 SDA



Type	G1	G2	G3	SW1	L	B	H	L1	D
NSEGX005HSNSSDA	M5-F	M5-F	M5-F	8	32	10	20	56	9
NSEGX007HSHVSDA	G1/8-F	G1/8-F	G1/8-F	14	40	16	26	80	13.6
NSEGX010HSHVSDA	G1/8-F	G1/8-F	G1/8-F	14	45	16	26	85	13.6
NSEGX015HSHVSDA	G1/4-F	G1/4-F	G1/4-F	17	60	22	38	106	20
NSEGX020HSHVSDA	G1/4-F	G1/4-F	G3/8-F	17	75	26	38	131	20
NSEGX025HSHVSDA	G3/8-F	G1/2-F	G1/2-F	17	75	26	38	131	20
NSEGX030HSHVSDA	G3/8-F	G1/2-F	G3/4-F	22	110	42	50	200	31