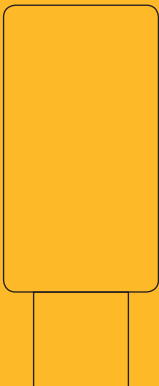


FLUKE®







**FLUKE
CONNECT®**



**WiFi-BLE Adapter
USB1 FC**

For use with 17xx FC models



| Symbol | Definition |
|---|---|
|  | <p>Conforms to European Union directives</p> |
|  | <p>Conforms to relevant Australian EMC requirements</p> |
|  | <p>This product complies with the WEEE Directive (2002/96/EC) marking requirements. The affixed label indicates that you must not discard this electrical/electronic product in domestic household waste. Product Category: With reference to the equipment types in the WEEE Directive Annex I, this product is classed as Category 9 “Monitoring and Control Instrumentation” product. Do not dispose of this product as unsorted municipal waste. Go to Fluke’s website for recycling information.</p> |



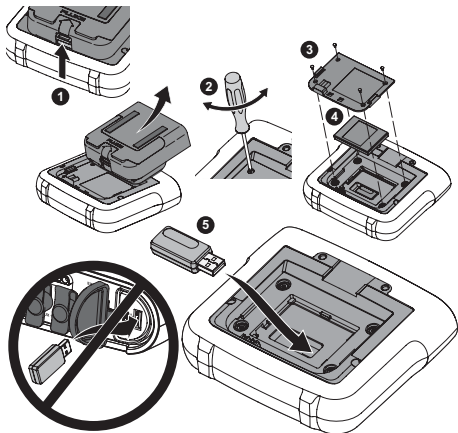
FLUKE®

LIMITED WARRANTY AND LIMITATION OF LIABILITY

This Fluke product will be free from defects in material and workmanship for three years from the date of purchase. This warranty does not cover fuses, disposable batteries, or damage from accident, neglect, misuse, alteration, contamination, or abnormal conditions of operation or handling. Resellers are not authorized to extend any other warranty on Fluke's behalf. To obtain service during the warranty period, contact your nearest Fluke authorized service center to obtain return authorization information, then send the product to that Service Center with a description of the problem. **THIS WARRANTY IS YOUR ONLY REMEDY. NO OTHER WARRANTIES, SUCH AS FITNESS FOR A PARTICULAR PURPOSE, ARE EXPRESSED OR IMPLIED. FLUKE IS NOT LIABLE FOR ANY SPECIAL, INDIRECT, INCIDENTAL OR CONSEQUENTIAL DAMAGES OR LOSSES, ARISING FROM ANY CAUSE OR THEORY.** Since some states or countries do not allow the exclusion or limitation of an implied warranty or of incidental or consequential damages, this limitation of liability may not apply to you.

Installation instructions

FLUKE®



See inside of this card for warranty information.
Go to www.fluke.com to register your product
and find more information.

Fluke Corporation
P.O. Box 9090
Everett, WA
98206-9090

Fluke Europe B.V.
P.O. Box 1186
5602 BD Eindhoven,
The Netherlands

6/2015



©2015 Fluke Corporation.
Specifications subject to change
without notice.
Printed in Romania. Made in Taiwan.
www.fluke.com

FCC: T68-FWBA
IC: 6627A-FWBA



Made in Taiwan.