

# 電子麗晶燈使用說明(手冊)

FOCID: 0QRTEC/2

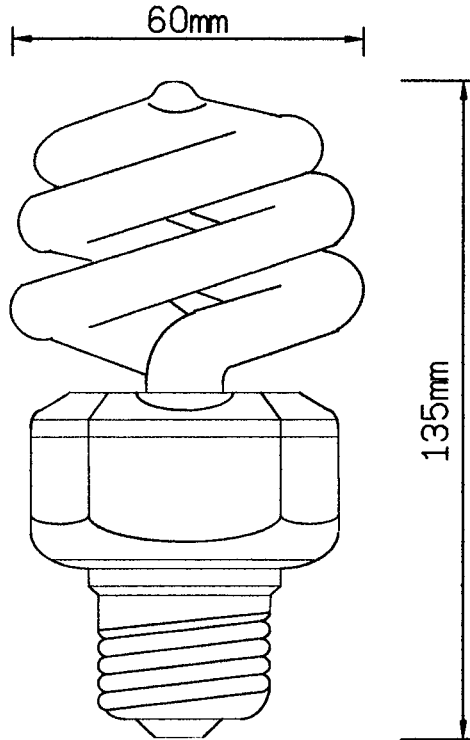
旭光

20 Watt LAMP HOLDER FITTING  
15 Watt LAMP HOLDER FITTING



FSL-20EXD(L)

FSL-15EXD(L)



Weight(unit wgt.)	(lbs)	0.26
Minimum Starting Temperature	°F	0
Maximum Operating Temperature	°F	140
Input Line Voltage	V	120
Input Line Frequency	Hz	50/60
Lamp Current (15W)	A	0.18-0.24
Lamp Current (20W)	A	0.24-0.30
Lamp Operating Frequency	KHz	68
Lumens(15W)	Lm	800
Lumens(20W)	Lm	1050
Color Temperature	K	2,800K(EXL)~6,500K(EXD)
CRI	Ra	82
Efficacy	lm/W	60
Edison Base		E27
Bulb Replacement		Integrated

## 使用注意事項

1. 請勿使用於調光燈具，緊急照明燈具或密閉式散熱不良的燈具。  
(Do not use with dimming circuit features, emergency light fixtures, closed fixtures.)
2. 請勿安裝於溫度高於 40°C 的工作場所。  
(Do not install where may drop on the lamp and ambient temperature exceed 40°C.)
3. 請勿安裝於屋外潮濕或易受雨淋的場所。  
(Do not install where exposed to whether.)

FEDERAL COMMUNICATIONS COMMISSION  
INTERFERENCE STATEMENT

FCC ID: OQRTFC02

This equipment has been tested and found to comply with the limits for a Consumer Equipment RF Lighting device, pursuant to Part 18C of the FCC Rules. These limits are designed to provide reasonable protection against harmful interference in a residential installation. This equipment generates, uses and can radiate radio frequency energy and, if not installed and used in accordance with the instructions, may cause harmful interference to radio communications. However, there is no guarantee that interference will not occur in a particular installation. If this equipment does cause harmful interference to radio or television reception, which can be determined by turning the equipment off and on, the user is encouraged to try to correct the interference by one or more of the following measures:

- Reorient or relocate the receiving antenna.
- Increase the separation between the equipment and receiver.
- Connect the equipment into an outlet on a circuit different from that to which the receiver is connected.
- Consult the dealer or an experienced radio/TV technician for help.

CAUTION:

Any changes or modifications not expressly approved by the grantee of this device could void the user's authority to operate the equipment.