

# INSTALLATION INSTRUCTION

**For Ceiling Fan Only**

**Solid-state ceiling fan speed control**

**Model: CL-201**

**120V 50Hz, 0.5 A for fan and 300 W maximum only for tungsten lamps.**

**Read and save this Instruction**

pg. 2/15

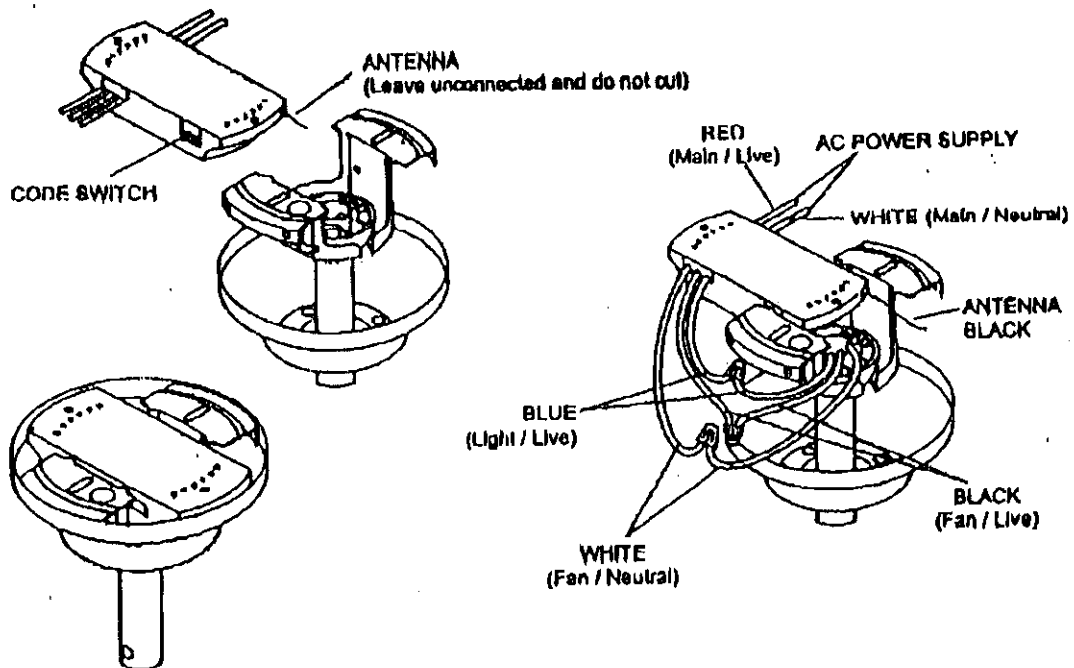
## CEILING FAN REMOTE CONTROL

### IMPORTANT POINTS:

1. Please read this instruction, and save it for further use.
2. Before installation, **TURN OFF THE POWER TO YOUR CEILING FAN** (at the main switch box or fuse box).
3. Please note that all wiring appliances should be installed by a qualified electrician.
4. This unit is to be used in a 100V/120V 60Hz supply only.
5. Do not install in damp locations or immerse in water. (For indoor use only.)
6. Do not pull on or cut leads shorter.
7. Do not drop or bump the unit.
8. **PLEASE NOTE:** The battery will weaken with age and should be replaced before leaking takes place as this will damage the transmitter.

### INSTALLATION INSTRUCTIONS / INSTALL THE RECEIVER

Please refer to the following diagrams for installing the receiver. **NOTE:** When the connections use wire nuts, the wire nut and wires must be wrapped together with electrical tape. This will prevent the connection from loosening.



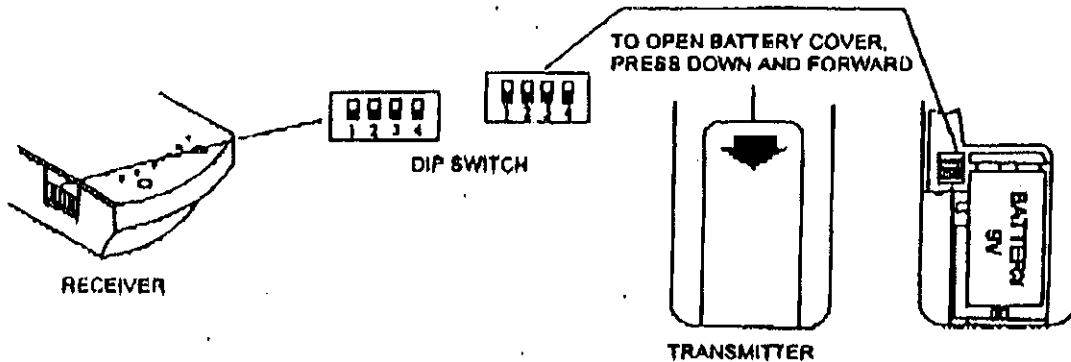
VIEW AFTER INSTALLATION

### OPERATION INSTRUCTIONS

#### NOTE TIPS:

1. Two methods are provided to control fan and light operation: (a) control by pull chain switch or (b) control by remote controller.
2. (a) Use pull chain switch to control the fan and light operation:  
Before using pull chain switch, set fan speed to "HI" and Light to "ON" position on the remote controller.
3. (b) Use remote controller to control the fan and light operation:  
3.1 Before using remote controller, pull pull chain switch, set Fan Speed to "HI" and Light to "ON" position.

**3.2 CODE SWITCHES:** Codes are set by pushing dip switches up or down. It is imperative that the code used for both transmitter and receiver is exactly the same, otherwise remote controller will not work. For simplification, we suggest all buttons to be set in the down position on both receiver and transmitter. Please note the code switch will enable you to operate a second remote controller independently. For example, if you have two ceiling fans with 2 remote control units, set 2 different codes for each set of transmitter/receiver. This means you can operate each ceiling fan independently.



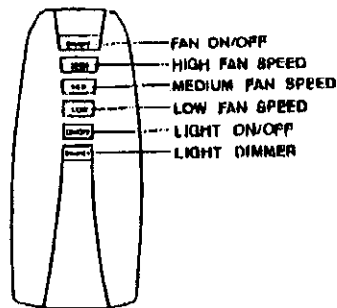
**3.3** Your remote controller is ready for use after battery installation.

**4.** Once the remote controller is missing and pull chain switch can not perform its function, do the following:

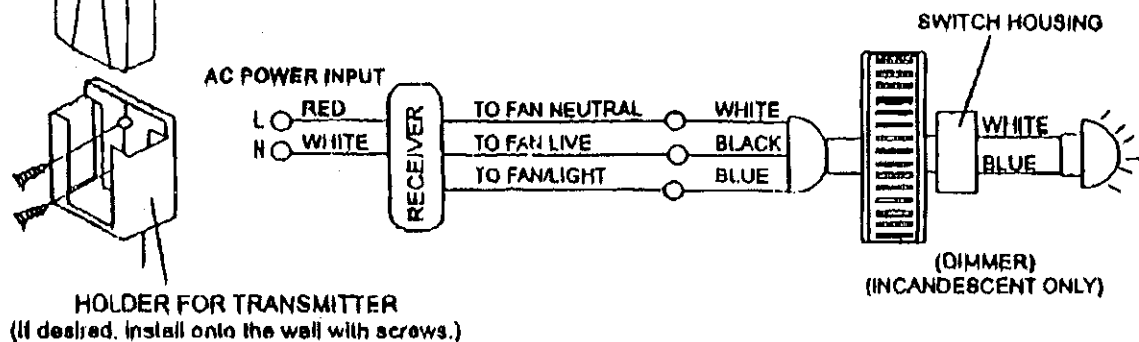
- a) Turn off the master supply at the circuit breaker or fuse box.
- b) Remove the receiver and connect the wires according to the fan installation instruction. Then, the pull chain switch can be used.

**FUNCTIONS OF TRANSMITTER**

- HI:** Turn on ceiling fan at high speed.
- MED:** Turn on ceiling fan at medium speed.
- LOW:** Turn on ceiling fan at low speed.
- OFF:** Turn off the ceiling fan
- LIGHT:** 1. On/off: Press and release immediately.  
2. Dimmer: Press and hold to dim/brighten.



**CEILING FAN REMOTE CONTROL WIRING MAPS**



**HOLDER FOR TRANSMITTER**  
(If desired, install onto the wall with screws.)

24 JUL 2001

**Warning:** Changes or modifications to this unit not expressly approved by the party responsible for compliance could void the user's authority to operate the equipment.

**NOTE :** This equipment has been tested and found to comply with the limits for a Class B digital device, pursuant to Part 15 of the FCC Rules. These limits are designed to provide reasonable protection against harmful interference in a residential installation. This equipment generates, uses and can radiate radio frequency energy and, if not installed and used in accordance with the instructions, may cause harmful interference to radio communications.

However, there is no guarantee that interference will not occur in a particular installation. If this equipment does cause harmful interference to radio or television reception, which can be determined by turning the equipment off and on, the user is encouraged to try to correct the interference by one or more of the following measures:

- Reorient or relocate the receiving antenna.
- Increase the separation between the equipment and receiver.
- Connect the equipment into an outlet on a circuit different from that to which the receiver is connected.
- Consult the dealer or an experienced radio / TV technician for help.

This device complies with Part 15 of the FCC Rules. Operation is subject to the following two conditions: (1) this device may not cause harmful interference, and (2) this device must accept any interference received, including interference that may cause undesired operation.