



FOXPRO *Fury*
Digital Game Caller
Instructional Manual



FOXPRO

Fury

FOXPRO Inc. 14 Fox Hollow Drive • Lewistown, PA 17044 • (717) 248-2507

www.gofoxpro.com

| TOPIC | PAGE |
|---|-------------|
| 1.0 Quick Operating Guide | 1 |
| 1.1 Installing Batteries in Your Fury | 1,2 |
| 1.2 Installing Batteries in Your TX-500 | 2 |
| 1.3 Playing Sounds Manually | 2 |
| 1.4 Operating the Fury by TX-500 Remote Control | 3 |
| 1.5 Powering Down | 4 |
| 2.0 About the FOXPRO Fury Speakers | 4 |
| 3.0 Batteries and Charging | 5 |
| 3.1 Installing Batteries | 5 |
| 3.2 Charging Batteries | 6 |
| 4.0 "AUX" Jack Function | 7 |
| 5.0 Using External Speakers | 7 |
| 5.1 Connecting External Speakers | 7 |
| 5.2 Disabling Internal Speakers Manually | 8 |
| 5.3 Turning Speakers On/Off with the TX-500 | 9 |
| 6.0 TX-500 Remote Control Operation | 10 |
| 6.1 Installing Batteries in Your TX-500 | 11 |
| 6.2 Understanding the Menu System | 11 |
| 6.3 Turning on the TX-500 | 12 |
| 6.4 Selecting Sounds | 13 |
| 6.5 Setting the Volume | 14 |
| 6.6 Mute | 14 |
| 6.7 Sound Sequences | 15 |
| 6.8 Sound Presets | 18 |
| 6.9 FOXFADE | 18 |
| 6.10 AUTO-V | 19 |
| 6.11 AUX | 20 |
| 6.12 Recall | 21 |
| 6.13 Channel Selection | 21 |
| 7.0 TX-500 & Fury Customizations | 22 |
| 7.1 Caller Control Menu | 22 |
| 7.2 Transmitter Configuration Menu | 23 |
| 8.0 Programming Your Fury | 26 |
| 8.1 Purchasing New Sounds | 26 |
| 8.2 Downloading the Programming Utility | 27 |
| 8.3 Programming with the Utility | 28 |
| 8.4 Downloading New Playlist to the TX-500 | 30 |

Important Information

FOXPRO's goal is to provide our customers with the highest quality products in the industry. We take great pride in manufacturing our products in the USA. Please do not hesitate to contact us for assistance, comments or questions.

FOXPRO Inc.

14 Fox Hollow Drive
Lewistown, PA 17044
(717) 248-2507
Fax (717) 247-3594

Hours of Operation

Monday-Friday
8am-5pm EST

Contact Us

Customer Service: (717) 248-2507
Toll Free Orders Only: 866-463-6977
General Inquiry Email: sales@gofoxpro.com

Stay up to date with the latest sounds by visiting our online sound library. Watch for new products and upgrades from FOXPRO. Visit us online:

www.gofoxpro.com



www.GoFoxPro.com

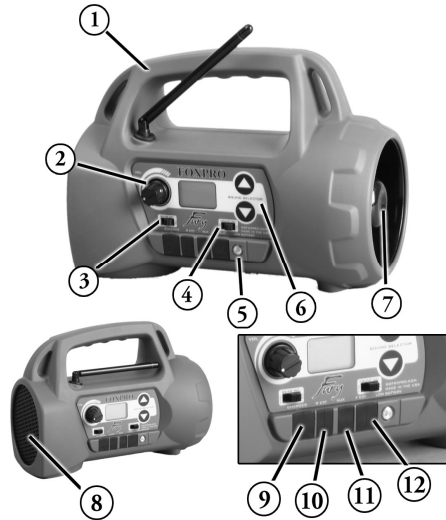
Using the FOXPRO Fury GX7 Digital Game Call

Congratulations on the purchase of your FOXPRO Fury digital wildlife caller! You have chosen a highly advanced product that is easy to use and loaded with some of the most innovative features to date. The Fury is the product of an engineering effort that has spanned several years.

Please take this time to read and understand the information in this instruction manual to ensure the best possible experience with your new FOXPRO Fury.

Features Overview

- 1) Rugged injection molded ABS housing
- 2) On/Off switch-manual volume control
- 3) Rear speaker slide switch
- 4) Front Speaker Slide switch
- 5) Low Battery Indicator LED
- 6) Sound Up/Down Keys
- 7) Reflex Horn Speaker
- 8) Cone Speaker
- 9) Charger Jack
- 10) Rear Ext Speaker Jack
- 11) Auxiliary Jack
- 12) Front Ext Speaker Jack



1.0 QUICK OPERATING GUIDE

This manual will explain all features of your new FOXPRO Fury in depth to help ensure the best overall experience. We realize, however, that you may want to try the Fury out right away. The **Quick Operating Guide** will provide you the basic steps to on how to get started.

It is strongly recommended that to fully understand the features and abilities of your FOXPRO Fury that you read this manual in its entirety.

1.1 INSTALLING BATTERIES IN YOUR FURY

Since your Fury is shipped from the factory with no batteries installed, the first step is to install batteries. The Fury requires 8 "AA" batteries.

We strongly recommend high capacity NiMH rechargeable batteries over alkaline types for maximum performance, particularly when using loud volume levels.

- 1) Remove the battery door. *The battery door is located on the side of the caller and is held in place with a knurled thumbscrew.*
- 2) Orient the batteries as per the directions shown in each cavity within the holder. *Note that the battery polarity alternates.*
- 3) Replace the battery door after the batteries are installed.

1.2 INSTALLING BATTERIES IN YOUR TX-500

The TX-500 transmitter operates from three AA batteries. Please use high quality alkaline or lithium batteries.

- 1) Remove the battery compartment cover located on the rear of the transmitter.
- 2) Insert the AA batteries into the provided cavities. *Note that the battery polarity alternates.*
- 3) Replace the battery compartment cover after the batteries are installed.

1.3 PLAYING SOUNDS MANUALLY

Your Fury can be operated with or without using the TX-500 transmitter. There may be times when you want the sound of the unit right next to you or perhaps you want to walk with the unit to create a travelling sound.

- 1) Make sure that at least one of the speaker selector slide switches is set to the right, or “ON” position (see the following image).



- 2) Turn the On/Off/Volume knob clockwise to the “on” position – you should hear a soft click. *Please note that this switch is also the volume control when the unit is operated without the remote control. The*

further clockwise you turn the knob, the louder the unit will play. At this point, the LCD display on the FURY will first display the software revision and then display two flashing horizontal bars “- -”.

- 3) Press the up or down arrow keypad button on the FURY to select a sound number. Once selected, release the button, and the sound will play. To select a different sound, simply press the up or down arrow buttons again to your desired sound.

1.4 OPERATING THE FURY BY TX-500 REMOTE CONTROL

- 1) Turn on the TX-500 transmitter by pressing down and holding the sound selector knob for about 2-3 seconds. The graphic LCD display will illuminate displaying “FOXPRO the Caller of the Wild”. At this point, let go of the button. In a moment, the screen will switch to normal view and display the first six sounds.
- 2) Select the sound you wish to play by turning the rotary selector knob on the top of the transmitter either clockwise, which will scroll up, or counter-clockwise which scrolls down.
- 3) When the sound desired appears in the displayed list, highlight the sound, and press down on the rotary selector knob. You will notice that the number associated with that sound will appear in the bottom text line. This text line also displays the current channel setting (which should be 10 from the factory), a mute indicator, volume level indicator, battery monitor, and timer. The top text line displays the front speaker, rear speaker, and auto volume and mode indicators. For more information on the text lines, see the TX-500 features section of this instruction manual.
- 4) Now that you have selected the sound to be played, simply bring the volume up to your desired level by depressing the volume up arrow. As you depress the volume up arrow, note that the volume setting number in the bottom text increases.

Muting the Sound

To mute the sound, simply press the mute button. The letter “M” will appear in the bottom text line. The mute also serves as a pause feature, meaning that when you un-mute the sound again, it will start playing where you muted the sound instead of starting over again.

Changing the Sound

To change the sound, simply highlight your next sound preference and depress the rotary selector knob. Your sound will instantly change.



You can also use the numeric keypad to enter the three digit number of the sound you wish to play. When you begin entering a number on the keypad, the numbers you type will appear in large text on the screen. You need to enter the three digit number of the sound you wish to play. For example, type in a number in the range of 000 through 499 to play the corresponding sound.

Auxiliary Button

Use the "AUX" button to activate a device such as a decoy or camera connected to the FURY "AUX" jack.

1.5 POWERING DOWN

Be sure to power down both the Fury and TX-500 after use to help prolong the battery life.

Powering Down the TX-500

Push and hold the selector knob until the selection menu appears (with turn off transmitter already highlighted). By pressing the selection knob a second time the transmitter will shut off. Should you forget to turn off the transmitter when you are finished, it will automatically shut down after 2 hours of non-use.

Powering Down the FURY

Turn off the FURY by rotating the On/Off switch to the off position.

2.0 ABOUT THE FOXPRO FURY SPEAKERS

The FURY incorporates two different types of loudspeakers. The front speaker is a high efficiency horn with maximum sensitivity in the frequency range necessary to reproduce small animal distress sounds. Distress sounds of rabbits, small rodents, birds, canines, and many others are best reproduced by using the front horn only with the rear cone speaker turned off. This will also ensure maximum battery life as playing both speakers requires almost twice as much battery power.

The rear cone speaker is best suited to sounds that have significant lower frequency content. These sounds would include bear growls, mountain lion roars, certain owl hoots, and some other large mammal sounds. The rear speaker, however, is not as efficient as the front horn. Because of this, it will not play as loud as the horn. Understand that not all calling sounds will benefit greatly from playing both speakers at once. If you elect to do this, remember that battery life will be reduced.

3.0 BATTERIES AND CHARGING

Your FURY operates on 8 "AA" batteries. For optimal performance and run



times, we recommend using high capacity 2000-2800 mAh NiMH (Nickel Metal Hydride) rechargeable cells rather than alkaline types.

When you operate your FURY to play at extremely loud volume levels, the current demand on the batteries is much more than alkaline cells can deliver. Consequently, the run time of these batteries can be very short. The Zinc Carbon so-called "Heavy Duty" cells are expressly NOT recommended at all. **The performance of your FURY will be much better with high capacity NiMH batteries.**

3.1 INSTALLING BATTERIES IN THE FURY:

- 1) Remove the battery door. *The battery door is located on the side of the caller and is held in place with a knurled thumbscrew.*
- 2) Orient the batteries as per the directions shown in each cavity within the holder. *Note that the battery polarity alternates.*
- 3) Replace the battery door after the batteries are installed.

CAUTION: Never attempt to charge batteries not intended to be recharged! This includes both Zinc Carbon and alkaline cells. The resulting damage can be serious and will not be covered by the warranty. For maximum charge efficiency, we recommend charging your FURY in temperatures ranging from 40°F to 85°F (5°C to 30°C).

CAUTION: Do not mix battery types!

CAUTION: Never connect your Fury charge to a 12V automotive system. Serious damage will occur which is not covered by the warranty. The charge jack is intended only for FOXPRO chargers.

CAUTION: Never attach an unapproved or non-FOXPRO charger to your Fury! Damages caused by plugging unapproved charging devices into your Fury will not be covered by warranty.

3.2 CHARGING BATTERIES

- 1) Disconnect any accessory device that may be plugged into the Fury prior to charging. This includes external speakers, USB cables, and any devices that may be attached to the auxiliary device jack.
- 2) Check to make sure that rechargeable NIMH type batteries are installed in your FURY.
- 3) Connect the approved FOXPRO charger to the FURY charge jack and

attach the transformer end of the charger to the appropriate outlet.

Be aware that the green LED may or may not extinguish when the batteries are fully charged. Your FOXPRO unit incorporates circuitry to terminate charge current if high battery temperatures are detected. Battery temperatures increase at the end of the charge cycle. If the temperature edges towards a dangerous level, the charge current will be interrupted and the green LED will extinguish. If excessive temperature is not detected, the green LED will not be extinguished. It is quite possible for the batteries to be fully charged without their temperature rising to the dangerous level. For this reason, **the LED should not be considered as a “full charge” indicator** as it may or may not extinguish when the batteries are fully charged. The batteries are fully charged any time their temperature rises substantially above ambient. How long this takes depends on how much charge has been taken from the batteries and how much time has passed since the last charge. If the green LED goes out, the batteries are definitely charged. If the green LED is on and the batteries are cool, they are still charging. If the green LED is on and the batteries are very warm, they are fully charged and you should terminate the charge by unplugging the charger.

You should not permit the charge to continue for more than 12 hours under any circumstances. The batteries need to be recharged when the “Low Battery” LED is blinking. Battery run time is directly related to how loud you operate the FURY. Using both speakers at the same time rather than only the most appropriate one will have a negative impact on run time. With one speaker playing, expect 6 to 15 hours of run time, depending on the loudness setting. With both speakers playing, expect 3 to 10 hours. Remember that very loud volumes are rarely needed as animals hear much better than we do.

Battery/Charging Recommendations

- Remember that NiMH batteries self-discharge about 1% per day
- Do not charge batteries unattended
- Remove batteries from battery holder when caller will not be used for prolonged periods to help prevent deep discharge
- Recharge your batteries periodically—even when not in use—to prevent deep discharge

4.0 “AUX” JACK FUNCTION

The FURY is equipped with an auxiliary jack labeled “AUX”. The purpose of this jack is to allow for the connection of certain external devices, such as the FOXPRO Jack-in-the-Box Decoy or other approved devices, and to be able to turn these on and off with the TX-500 remote control transmitter. However,

there are some strict electrical limits involved with this jack. If these limits are exceeded, damage to your FURY will result. This damage is not covered by warranty.

The electrically inclined will want to know that the jack is connected to the drain of an internal Field Effect Transistor with a maximum current rating of 2 Amperes. The “tip” polarity of the 3.5mm jack is positive, while the sleeve is negative. If the external device is connected with the polarity reversed, an internal protection diode within the FET will conduct, causing the device to stay on constantly. The maximum voltage applied to this jack must never exceed 15 volts.

Typical uses for this jack would be to control the FOXPRO Jack-in-the-Box Decoy or to start and stop a video recorder. Instructions on connecting various devices to the “AUX” jack are beyond the scope of this manual. You are urged to seek help from a knowledgeable professional before connecting any unapproved device to this jack. Remember that damage to your Fury caused by improper use of the “AUX” jack is not covered by the warranty, nor will FOXPRO be liable for damage to any devices connected to this jack.

The AUX jack is configurable for momentary or latched operation. Please see section **6.11** for more information.

5.0 USING EXTERNAL SPEAKERS

The FURY is equipped with two External Speaker Jacks, which allows you to connect one or two additional speakers. The internal speakers perform admirably; however, you may encounter situations that require higher volume levels. By connecting a larger and more efficient external speaker(s) to the FURY, the volume level can be increased significantly.

5.1 CONNECTING EXTERNAL SPEAKERS

The external speaker jacks on your Fury accept standard 3.5mm plugs. When choosing an external speaker it is recommended to use one with an impedance rating of 8-ohms.

To connect an external speaker, plug the connector of the external speaker into one of the external speaker jacks. You will notice that each external speaker jack corresponds with one of the internal speakers. For example, internal front speaker and front external speaker are linked together.

If you wish to have ONLY the external speaker(s) produce sound, you must disable the internal speakers as the internal speakers are not disabled automatically.



5.2 DISABLING INTERNAL SPEAKERS MANUALLY

Move the speaker slide switch to the “OFF” position for the desired speaker you wish to disable (front or back). The following image shows that each internal speaker has an independent on/off switch.



To re-enable the speaker later, simply place the slide switch back to the “ON” position. By disabling the internal speaker(s) when using an external speaker(s), battery life will be extended longer than having all of the speakers operating at once.

Disabling the internal speakers by way of the slide switch will result in the external speakers still playing. The only way to disable the external speakers is by using the TX-500.

5.3 TURNING SPEAKERS ON/OFF WITH THE TX-500

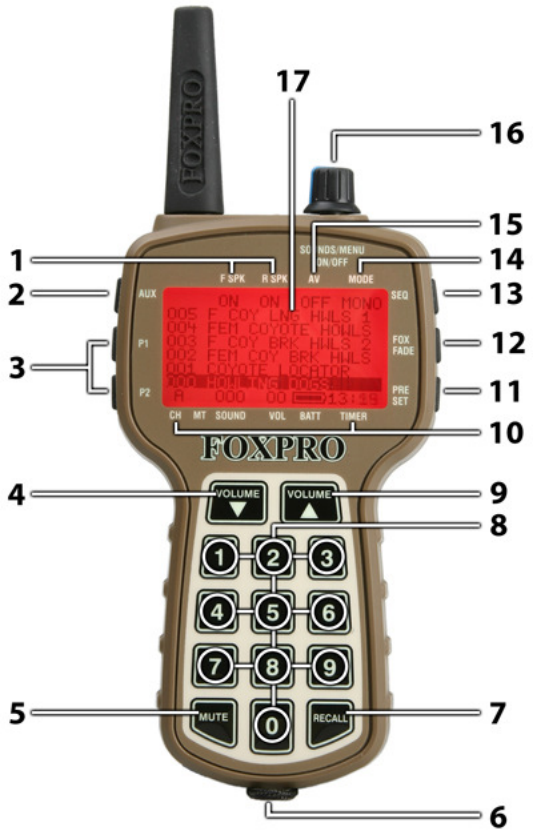
When you turn off either the front or rear speaker by way of the TX-500 remote control, the associated internal speaker will also be disabled. For example, if you turn off front speaker, not only will the internal front speaker shut off, but so will the front external speaker.

- 1) Hold down the rotary selector knob for 2-3 seconds to activate the main menu
- 2) Use the selector knob to highlight CALLER CONTROL MENU and press down on the selector knob one time
- 3) Use the selector knob to highlight the desired setting (i.e. front speaker on/off or rear speaker on/off) and press down on the selector knob to commit your change
- 4) Exit the menus

6.0 TX-500 REMOTE CONTROL OPERATION

Features

- 1) Rear/Front Speaker On/Off Indicator
- 2) Auxiliary Button
- 3) Quick Access for 2 Presets
- 4) Volume Down Button
- 5) Mute Button
- 6) Lanyard Loop
- 7) Recall Button
- 8) Numeric Keypad
- 9) Volume Up Button
- 10) Bottom Information Line Indicating channel of operation, mute status, sound number, volume level, battery level, and elapsed timer
- 11) Preset Mode Select Button
- 12) FOXFADE On/Off
- 13) Sequence Mode Select Button
- 14) Mono/Stereo Indicator
- 15) Auto-Volume On/Off Indicator
- 16) Rotary Selector Knob
- 17) Graphic LCD Panel



The FURY features the TX-500 transmitter. The features of this transmitter include a large graphic display (eliminating the need for printed sound lists), 10 custom preset buttons that make your favorite sound and volume levels available at the touch of a button, a volume and mute indicator, a recall button, an elapsed timer, and a rotary sound selector knob for ease of changing sounds.

The TX-500 transmitter operates on three standard AA batteries. **Please use high quality alkaline or lithium batteries.**

6.1 INSTALLING BATTERIES IN YOUR TX-500

- 1) Remove the battery compartment cover located on the rear of the transmitter.

- 2) Insert the AA batteries into the provided cavities. *Note that the battery polarity alternates.*
- 3) Replace the battery compartment cover after the batteries are installed.

6.2 UNDERSTANDING THE MENU SYSTEM

Your TX-500 transmitter has a menu-driven configuration system that provides you with a navigable interface for making various operational changes to both the FURY and TX-500. Throughout the scope of this manual you will find many references to the Main Menu. It is important that you are familiar with and understand how the menu system works.

The Main Menu can be accessed at any time while operating the TX-500 transmitter. To bring up the Main Menu simply press and hold the rotary selector knob for 1-2 seconds. The normal screen will change to reveal the Main Menu.

By default, any time you enter the Main Menu, the “TURN OFF TRANSMITTER” option will be highlighted. The line that is highlighted will be referred to as the **selected item** throughout this manual. You can move the highlight bar using the rotary selector knob to change the selected item by rotating the knob clockwise or counter-clockwise. A selected item can be activated by pressing down on the rotary selector knob. In this case, with “TURN OFF TRANSMITTER” being the selected item, pressing the rotary scroll knob down would result in the TX-500 turning off.

The Main Menu has submenus. These submenus will provide you with access to making various system changes. The two main sub-menus are CALLER CONTROL and TRANSMITTER CONFIG. Each one of these submenus has other menu items inside.

The following chart will display the layout of the menu. The factory default value of each setting will be noted in bold:

CALLER CONTROL provides access to:

- **SPEAKER CONTROL**
 - **FRONT ON**
 - **FRONT OFF**
 - **REAR ON**
 - **REAR OFF**
- **MONO/STEREO**
 - **MONO**
 - **STEREO**
 - **REVERSE STEREO**
- **PLAY MODES**
 - **REPEAT MODE**
 - **SINGLE PLAY MODE**
 - **JUKEBOX MODE**
- **AUTO-V ON**
- **AUTO-V OFF**

TRANSMITTER CONFIG provides access to:

- **AUX**
 - **MOMENTARY**
 - **LATCHED**
- **DISPLAY**
 - **TEXT**
 - **NORMAL**
 - **LARGE 'NUMBERS ONLY'**
 - **GRAPHICS**
 - **NORMAL**
 - **REVERSE IMAGE**
 - **SET CONTRAST**
 - **SCROLL**
 - **PAGED**
 - **SINGLE**
 - **BACKLIGHT**
 - **OFF**
 - **LOW**
 - **MEDIUM**
 - **HIGH**
- **CHANNEL**
 - **0 – 15 (Default: 10)**
- **VOLUME STEPS**
 - **2**
 - **4**
 - **5**
 - **8**
 - **10**
- **UPLOAD SOUND LIST**

6.3 TURNING ON THE TX-500

To turn on your TX-500 transmitter, simply push and hold the selector knob until the display activates, then release the selector knob. Be sure to turn off the TX-500 transmitter after use so that unnecessary battery drain is prevented. To do so, push and hold the selector knob until the selection menu appears (with turn off transmitter already highlighted). By pressing the selection knob a second time the transmitter will shut off. Should you forget to off the transmitter when you are finished, it will automatically shut down after 2 hours of non-use.

6.4 SELECTING SOUNDS

The TX-500 provides you with two methods of selecting and changing sounds on your FOXPRO Fury. You can use the rotary selector knob to scroll through and send sound selections or you can directly enter the sound number by using the numeric keypad.

Rotary Selector Method:

The rotary selector knob is located on the top right of the TX-500. This is a dual-function knob that provides you with clockwise/counterclockwise action to scroll through the sound list as well as a push button function to send sound changes to the unit (it also works to confirm or lock-in various menu changes by pushing down it.)

With the TX-500 turned on, you will see six sounds displayed on the screen. Clockwise rotation of the knob scrolls the highlight bar up the page, while counter-clockwise rotation moves it down. Once the bar reaches the top of the 6 displayed sounds, the next movement of the knob in the same direction will cause the sounds to increment or decrement. Once the sound you wish to play is highlighted in the display, push down on the selector knob to have it transmitted to the FURY for play.

You can scroll through pages of 6 sounds (up or down) very quickly by turning the rotary sound selector knob or (if preferred) you can configure the transmitter for single index mode. The rotary sound selector knob is used to highlight sounds on the display, change the page being viewed, and to send the selected sound to the FURY.

Counterclockwise rotation decrements the sound lists. Clockwise rotation increments the sound lists. If you wish to start your current sound playing from the beginning, simply depress the knob again.

To switch sounds, simply select and highlight your desired sound and depress

the rotary selector knob. As you can see, even with hundreds of sounds programmed, you can be set up to be never more than a few revolutions of the rotary sound selector knob away from any sound.

Numerical Entry Method:

You can also directly access any sound by direct numerical entry on the keypad. For example, if you want to play sound 005, simply press the numbers 0, 0, and 5 sequentially on the keypad.

6.5 SETTING THE VOLUME

When the TX-500 is first turned on, the volume setting is preset to 00, as the display will indicate. Once you have selected and transmitted your sound to the FURY, simply depress the volume up button on the transmitter to your desired level. *Note that you can depress and hold down on the volume button to continue to ramp, or you can continue to press and release the button to ramp.* Depressing the volume buttons will cause the volume number to change in the display from a low of "0" to a high of "40". These changes are transmitted to the FURY in real time, causing the volume to ramp up or down.

The TX-500 allows you to change the volume ramp speed to a specific level. By default, the ramp speed will be set to 4. This means that every time you press the volume up or down button, the volume level will increment or decrement by 4. You can change this value to 2, 4, 5, 8, or 10. To set this value:

- 1) Press and hold the rotary selector knob to access the main menu.
- 2) Highlight the "TRANSMITTER CONFIG" menu and depress the rotary selector knob one time.
- 3) Use the selector knob to highlight "VOLUME STEPS" and then depress the selector knob one time.
- 4) Use the selector knob to highlight the desired volume ramping value and then depress the selector knob to lock it in.
- 5) Exit the menu.

The volume numbers are important, as you will begin to identify your preferred volume settings, and with the FURY placed away from you, it gives you the ability to know exactly what volume the FURY is playing at. Without this, you may have a difficult time determining just how loud or soft your unit is playing.

6.6 MUTE

To mute the current sound that is playing, simply depress the mute button on

the TX-500 transmitter. Mute mode is indicated by an “M” appearing in the bottom status line. To un-mute, simply depress the mute button again.

The mute feature also serves as a pause function. When you mute the current sound being played and un-mute again, the sound will begin playing at the point where you muted it.

While the FURY is muted you can change to a different sound and volume level. When you un-mute the unit, it will begin playing the new sound and volume setting. You can also restart the current sound from the beginning by depressing the rotary selector knob down one time while the unit is muted.

6.7 SOUND SEQUENCES

The Fury can operate from a special sequence file that provides the unit with instructions on how to operate for the duration of the hunt. Sound sequences can provide you with a completely hands-free experience in the field. You can have up to ten unique sequences in your Fury.

Creating a Sequence

There are two ways that you can create a custom calling sequence; manually with a simple text editor or with the help of the graphical interface that runs on Windows-based PC's. Mac users will have to type their sequence file out by hand.

Creating Sequence Files with Utility

Utility coming soon!

Creating Sequence Files Manually

The Fury will be looking for ten individual files pertaining to the particular sequence. These files range from S00.seq through S09.seq. The sequence creation utility will automatically save your custom sequence files to your Fury, but you may opt to keep various custom sequence files in your computer for future use.

NOTE: If you save a sequence file for later use, make sure you update it if you make any programming changes to the unit. For example, if sound number 005 used to be a rabbit and it is now a coyote, your sequence file will now play the coyote.

The sequence file must be in plain text format. You cannot use MS Word or other rich-text editing software to create the files. If you are manually creating the file, use a program such as Notepad for authoring. The following is an

example of what the file should look like:

```
V 30  
S 12  
D 60  
V 23  
S 1  
X
```

The above example uses the following syntax to denote instructions for the Fury:

| Instruction | Value | Description |
|-------------|-----------|--|
| S | 0 – 499 | Denotes numerical value of sound on unit |
| V | 0 – 40 | Denotes numerical value of volume level |
| D | 1 - 99999 | Denotes delay value in seconds |
| J | n/a | Denotes Jukebox Mode |
| R | n/a | Denotes Repeat Mode |
| ? | n/a | Denotes Single Play Mode |
| X | n/a | Denotes end of file |

The translation of the above example would equate to:

```
Set volume to 30  
Play sound 12 one time  
Pause for 60 seconds  
Set volume to 23  
Play sound 1 one time  
End
```

Any time you author your own sequence file manually, make certain that each instruction code is followed by a space and then the value. Also make sure that you end the instructions with a capital X.

Loading a Sound Sequence to Your Fury Manually

In order to get the sound sequence file from your computer into your Fury, you will need to locate the USB cable provided with the unit. Remove the battery compartment door on the Fury and remove the battery pack. Locate the USB port in the bottom of the battery compartment. Using the USB cable, connect the Fury to your computer. Take note to what drive letter is being assigned to your Fury. Copy the sequence files from your hard drive directly into the drive letter of the Fury.

Playing a Sequence

Sequences can be engaged at any time during operation.

- 1) Press the SEQUENCE button on the TX-500
- 2) Press a number button on the keypad to play the corresponding sequence from 0 – 9

Play Modes and Sequences

A sequence is designed as one complete hunt or stand. Depending upon the current play mode specified in your caller configuration dictates how the sequence will act. For example, if you have your unit setup for REPEAT play mode, once the sequence is done it will try playing again. As the sequence itself is being viewed as an entire stand, you may not want it to repeat. There are two ways you can work around this.

The sound sequence creation utility will allow you to specify what play mode the sequences will operate in. Here is a look at the various modes:

Repeat Mode

While creating a sequence file you can place a delay instruction as the last command with a value set to 99999. As this is representing seconds, it equates to around 25 hours making this a quick and easy way to prevent the sequence playing over and over.

Single Mode

A second method is to change your playback mode to SINGLE. In normal operation mode, this results in the sound playing a single time and then stopping—this has the same effect on sequences.

Jukebox Mode

There may be other times when you have one short sequence—say for a slow volume ramp on a particular sound—that you want to then lead into another sequence filled with various distress cries. This can be achieved by having these sequences loaded into your unit in logical order where the first is followed by the next and so forth. By placing the Fury to operate in JUKEBOX mode, once the selected sequence is done playing it will move on to the next sequence.

NOTE: When you are operating in sequence mode, features such as FOXFADE and AUTO-V will not work. The recall button does not work within a sequence. Meaning that it will not go back to the last

sound in the sequence or last sequence played, rather it will go back to the last regular sound that was played.

6.8 SOUND PRESETS

The TX-500 provides you with quick access to your favorite sounds and volumes with the push of a button. The TX-500 can hold a total of ten individual sound presets, each one having their own unique volume level. You will also find two quick-access buttons (P1 and P2) that provide you one-button access to the sounds stored on presets one and two.

Creating Presets

- 1) Press the PRESET button to enter preset mode
- 2) Press and hold a number key from the keypad 0-9 for around 2-3 seconds. Doing this will display “SET SOUND AND VOLUME LEVEL” on the top line of the TX-500 display.
- 3) Highlight the sound you wish to have set as the current preset
- 4) Use volume up/down buttons to set the desired volume level
- 5) Press the number key one last time to lock that sound in that position

6.9 FOXFADE

FOXFADE allows you to fade the volume level of the sound being played between the front and back speaker. There are several ways in which FOXFADE can be used; mono, stereo, and reversed stereo. FOXFADE will provide the best effect when using a stereo audio file that contains two separate animal recordings; however, it can be used with mono sounds that are being played in stereo mode.

Using FOXFADE

- 1) With the sound playing, press the FOXFADE button on the side of the TX-500 transmitter
- 2) Use the selector knob to move the vertical bar left or right on the screen. Moving the knob **clockwise** will result in the bar moving towards the left of the screen which corresponds with the front (horn) speaker and the left audio channel. By moving the bar in this direction, the volume level of the back speaker will go down.

Moving the knob **counterclockwise** will result in the bar moving towards the right of the screen which corresponds with the back (cone) speaker and right audio channel. By moving the bar in this direction, the volume level of the front speaker will go down.

- 3) Once you have positioned the bar in your desired position, press down the selector knob one time to lock the change in place.

FOXFADE in Stereo Mode

When you are operating the Fury in stereo playback mode and playing a stereo audio file, the left audio channel will play through the front horn speaker and the right audio channel will play through the back cone speaker. Let's say that the sound you are playing is a coyote and rabbit stereo file; coyote on the left channel and rabbit on the right channel. When you enter FOXFADE and move the vertical bar towards the left and lock the selection in, the sound of the rabbit on the right channel will be reduced. If you move the bar to the right and lock the selection in, the sound of the coyote will be reduced.

FOXFADE can help create many new scenarios in the field and help add realism to your stand.

Using a Mono File in Stereo Mode

If you are playing a mono file while operating the unit in stereo mode, the Fury will play the same sound out of both speakers. FOXFADE will act in the same manner as playing a stereo file with fading out the volume of one of the channels depending upon which way you move the bar.

6.10 AUTO-V

AUTO-V (auto-volume) provides you with a sort of "cruise control" for volume adjustment and attenuation. When engaged, AUTO-V will start at the lowest possible volume (0) and slowly climbs to 75% or volume level 30 which is the default maximum volume level for AUTO-V, across a three minute period. Once volume level 30 is reached, AUTO-V begins to reduce and increase the volume level by 30% increments every ten seconds. For example, volume level 30 will be reduced by 30% in a ten second period, and then increased back up 30% across another ten second period. It will continue operating in this manner until it is shut off.

AUTO-V will not work in preset or sequence modes. Please see the sequence section if you are interested in learning how to automatically ramp the volume of sounds in your particular sequence.

Turning AUTO-V On

It is not necessary that you have a sound playing prior to engaging AUTO-V as it will begin its cycle after the sound begins playback.

- 1) Hold down the selector knob for 2-3 seconds to access the main menu.
- 2) Select "CALLER CONFIG"
- 3) Select "AUTO-V ON" to engage AUTO-V

- 4) Exit the menu

AUTO-V will begin its volume adjustment cycle as soon as you begin playing a sound.

Turning AUTO-V Off

AUTO-V can be turned off at any point during operation. When AUTO-V is disengaged, the Fury will continue playing the current sound at 65% of the maximum volume to help prevent an erratic volume level change.

- 1) Hold down the selector knob for 2-3 seconds to access the main menu.
- 2) Select “CALLER CONFIG”
- 3) Select “AUTO-V OFF” to disengage AUTO-V
- 4) Exit the menu

Setting the Maximum Volume Level

AUTO-V will climb to volume level 30 as a maximum across a three minute period by default. You can change the maximum volume level for the climb by using the volume up/down buttons on the transmitter once you have engaged AUTO-V. **Note: Making changes to the volume level after AUTO-V has been engaged for a while can result in erratic volume level changes. Get familiar with how AUTO-V works before using it on a stand.**

6.11 AUX

This button is used to operate an external device that is connected to the Fury—typically the FOXPRO Jack-in-the-Box Decoy. Depressing the AUX button will begin operation of the external device. A second press of the AUX button will cease operation. For more information on the AUX function, see the AUX Jack Function in the beginning of the manual.

The AUX can be configured to be momentary or a latched output. This can be useful if you are using external devices that must see a latched connection as opposed to the momentary connection required to activate/deactivate FOXPRO’s Jack-in-the-Box Decoy.

Adjusting AUX Jack Operation

- 1) Access the main menu by pressing and holding the rotary selector knob for about 2-3 seconds.
- 2) Highlight the TRANSMITTER CONFIG menu item and press the rotary selector knob one time.
- 3) Highlight the AUX menu item and press the rotary selector knob one time.
- 4) Highlight the desired operation, either MOMENTARY or LATCHED menu item and press the rotary selector knob one time.
- 5) Exit the menu.

6.12 RECALL

The recall button will allow the last previous sound and volume setting to be recalled and played. For example, let's say you just switched your sound from a rabbit distress at volume 18 to a coyote pup distress. Now, you bring the volume up on that coyote pup distress to volume 29. By depressing the recall button, your sound will switch from the coyote pup distress at volume 29, back to the rabbit distress at volume 18. The recall button will also work with the presets.

NOTE: If you press the recall button while playing a sequence, you will go back to the last sound and volume level that was used prior to entering sequence mode.

6.13 CHANNEL SELECTION

The TX-500 has been designed to be able to operate up to 16 different FOXPRO Fury units. This is great for folks who are using multiple units and wish to control them from a single transmitter. It is also convenient for folks who are hunting with a partner who is also using a Fury so you can both operate on separate channels without interfering with one another.

By default, your Fury and TX-500 will be set on channel 10. You can quickly and easily change the channel of operation through the menu, but you must be certain that your Fury and TX-500 are both set to operate on the same channel.

Changing the Channel of Operation on the TX-500

- 1) Access the main menu by pressing and holding the rotary selector knob for about 2-3 seconds
- 2) Highlight the TRANSMITTER CONFIG menu item and press down on the rotary selector knob one time
- 3) Highlight the CHANNEL menu item and press down on the rotary selector knob one time
- 4) Rotate the rotary selector knob clockwise or counterclockwise to increment/decrement through the available channels. When you arrive on the desired channel, press down on the rotary selector knob
- 5) Exit the menu

Changing the Channel of Operation on the FURY

- 1) Remove the battery compartment door from the back side of your Fury and then remove the batteries.
- 2) Locate the DIP switch to the right of the USB port.
- 3) You can use the tip of pen or pencil to modify the values of the DIP switch to change the channel of operation. The switch has four

individual switches that left (on) and right (off). The following values will help you in setting the channel.

The following guide will be show switch positions from left to right, but should be transcribed as top to bottom for deployment on the actual DIP switch. The words ON or OFF reflect the state of the switch needed to achieve the desired channel:

NOTE: Unlike the TX-200 transmitter, the TX-500 will not be able to control FOXPRO units such as the FX3, FX5, Scorpion, etc.

| CHANNEL | SWITCH POS. | CHANNEL | SWITCH POS. |
|---------|-----------------|---------|----------------|
| 1 | OFF,OFF,OFF,OFF | 9 | ON,OFF,OFF,OFF |
| 2 | OFF,OFF,OFF,ON | 10 | ON,OFF,OFF,ON |
| 3 | OFF,OFF,ON,OFF | 11 | ON,OFF,ON,OFF |
| 4 | OFF,OFF,ON,ON | 12 | ON,OFF,ON,ON |
| 5 | OFF,ON,OFF,OFF | 13 | ON,ON,OFF,OFF |
| 6 | OFF,ON,OFF,ON | 14 | ON,ON,OFF,ON |
| 7 | OFF,ON,ON,OFF | 15 | ON,ON,ON,OFF |
| 8 | OFF,ON,ON,ON | 16 | ON,ON,ON,ON |

7.0 TX-500 and FURY CUSTOMIZATIONS

The TX-500 and Fury have many features—most of which can be customized to work in a manner conducive to your specifications. This section will examine the menu system in detail and explain the available customizations that you can perform.

7.1 CALLER CONTROL MENU

This menu allows you to select how the Fury will operate. From speaker selections, mono or stereo playback, and AUTO-V—use this menu to get the Fury working the way you want it.

Speaker Control

This menu allows you to turn the front and back speakers on or off. To change the speaker settings, use the selector to highlight the desired option then press down on the selector knob one time:

FRONT ON - FRONT OFF
REAR ON - REAR OFF

NOTE: By default, both speakers will be set to ON. The front

speaker is chained to external speaker A and the rear speaker is chained to external speaker B. By shutting off one of the speakers, the external will also shut off.

Mono/Stereo

This menu allows you to specify the playback mode of the Fury. To change the playback mode, use the selector to highlight the desired option then press down on the selector knob one time:

MONO
STEREO
REVERSE STEREO

By default, the Fury will be set to operate in stereo mode. Reverse stereo mode allows you to flip the left and right audio channels. For example, if you have a stereo sound (coyote on left channel, rabbit on right channel), but you would prefer that each sound come out of the opposite speaker, simply select reverse stereo mode. This can be changed during sound playback.

NOTE: Make sure you have read and understand the FOXFADE section as making changes here will directly affect how FOXFADE will work.

Play Mode

This menu allows you to specify which play mode the Fury will operate on. To change the play mode, use the selector to highlight the desired option then press down on the selector knob one time:

REPEAT MODE (plays sounds/sequences continuously)
SINGLE PLAY MODE (plays sounds/sequences once)
JUKEBOX MODE (plays sounds/sequences incrementally)

NOTE: By default, REPEAT will be set as the play mode.

AUTO-V

You can turn AUTO-V on or off by highlighting the desired one and press down on the selector knob one time. See section on AUTO-V for more details.

7.2 TRANSMITTER CONFIG MENU

This menu allows you to setup how the TX-500 will operate. Everything from contrast to how the AUX button performs will be configurable through these

menus.

AUX

This option allows you to specify whether the AUX function will be momentary or latched. To change the AUX settings, use the selector to highlight the desired option then press down on the selector knob one time.

NOTE: FOXPRO's Jack-in-the-Box Decoy requires that the AUX function be setup for momentary. Please check the specifications on the device you are trying to operate prior to connecting it to your Fury.

DISPLAY

The display menu has many submenus that will customize the TX-500. Each one will be discussed. To enter the submenu, simply highlight the desired one and press down on the selector knob one time.

Text

There are two options for text; **NORMAL** and **LARGE NUMBERS ONLY**. The vast majority of users will leave this setting on **NORMAL**, but for those who have trouble reading the information on the screen, you are invited to use the **LARGE** setting. To change the text settings, use the selector to highlight the desired option then press down on the selector knob one time.

Graphics

The graphics menu allows you to control whether the screen **NORMAL** or **REVERSE IMAGE**. Reversing the image may be beneficial for users who are hunting at night to help reduce the glow from the screen. You can also set the contrast. To change the graphics settings, use the selector to highlight the desired option then press down on the selector knob one time.

To set the contrast, highlight the **SET CONTRAST** option and press down on the selector knob. You will see a selector bar appear in the middle of the screen. The middle position is the default position. To make adjustments, rotate the selector knob clockwise or counterclockwise to set the bar. Moving the bar to the left will decrease the contrast and to the right will increase. Once you have a desired setting picked, press down on the selector knob one time to lock it in.

Scroll

This menu allows you to adjust how the scrolling function will work. **PAGED** will result in six sounds being displayed per page and six more sounds being displayed upon incrementing to the next page. **SINGLE** will allow you to increment up by one sound at a time rather than a page at a time.

NOTE: By default, the scroll option will be set to **SINGLE**.

Backlight

There are four options in the backlight menu; OFF, LOW, MEDIUM, and HIGH. To change the backlight settings, use the selector to highlight the desired option then press down on the selector knob one time.

NOTE: You should experiment with the different settings to find out which ones work the best in varying conditions.

Channel

You can select the desired channel that you want to TX-500 to operate on from this menu. Make sure that the channel selected in the TX-500 corresponds to the same channel setup in the Fury. See the channel selection section for more information. To change the channel, use the selector to highlight the desired option then press down on the selector knob one time.

Volume Steps

This menu allows you to customize the speed at which the TX-500 will ramp the volume. The options are 2, 4, 5, 8, and 10. To change the volume step settings use the selector to highlight the desired option then press down on the selector knob one time.

NOTE: Experiment with the volume steps to find out which one works the best for you. By default, the volume step will be set to 5.

Upload Sound List

After reprogramming your Fury, this menu item will allow you to upload the new sound list from the Fury to your TX-500. For more information read the programming section of this manual.

TIMER

The TX-500 transmitter features a timer displayed on the bottom status line. This makes it handy for determining length of stands, and to determine respond times of incoming animals. When your TX-500 is turned on, the timer begins counting. The timer displays minutes and seconds up to 99:59. Once this time is reached, the timer rolls over to 00:00, and commences counting. The timer can be reset at any time in the back menu by selecting the RESET TIMER option. Once you turn your TX-500 transmitter off, the timer stops counting.

BATTERY MONITOR

The TX-500 transmitter also features a very effective battery monitor on the bottom status line. The TX-500 transmitter operates on three standard AA

batteries. Please use high quality alkaline or lithium batteries. Battery life of the TX-500 transmitter can approach 175 hours. Watch the battery monitor and replace the battery before the batteries become completely depleted.

8.0 REPROGRAMMING SOUNDS ON YOUR FURY

You can locate an extensive guide to programming your Fury on the FOXPRO website at:

<http://www.gofoxpro.com/program.php>

Also featured is a video that guides you through the programming process. We recommend visiting the website and viewing the information and video for additional assistance in programming your Fury.

The FURY comes standard with a USB 2.0 port built in (no reader / writer is necessary), which makes reprogramming or adding sounds to your FURY easier than ever. A computer is required in order to reprogram your sounds. The FURY can be reprogrammed by using personal computers equipped with Windows operating system version 2000 ME or later (98 SE or earlier not compatible), or a Macintosh computer with an operating system of 9.X or later.

8.1 PURCHASING NEW SOUNDS

You can access the FOXPRO website at any time to purchase new sounds to program in your Fury. The website is located at:

<http://www.gofoxpro.com>

Once you are at the site, access the "Sounds" option from the main menu and click on "Purchase Sounds." You can purchase 4 sounds of your choice for \$8.00, 8 sounds of your choice for \$15.00, and 16 sounds of your choice for \$25.00. Consult the programming link listed at the beginning of this section for more details on purchasing, downloading, and installing new sounds from the website.

NOTE: Prices mentioned in the proceeding section are accurate as of the publication date found on the back of this manual. All prices are subject to change without notification. No guarantees are made in product pricing. Always consult the website before making a decision to purchase. If you do not have access to a computer, sounds can be reprogrammed or added for a fee by sending your Fury to FOXPRO.

8.2 DOWNLOADING THE FOXPRO PROGRAMMING UTILITY

We have developed a utility that simplifies the reprogramming of sounds on your FURY. You can download the utility from our website.

To download and install the Programming Utility from the website

- 1) Using your web browser, navigate to: <http://www.gofoxpro.com>
- 2) Click on “Programs/Utilities” from the main menu
- 3) Locate and click on “FOXPRO Programming Utility”
- 4) Click on “Download Now”
- 5) Click on the Save button to save the executable file to your hard drive for installation. If you choose to save the file to your hard drive, we recommend saving it to your desktop.

NOTE: When saving the file, the name of the file on your Desktop (if you choose your desktop as the location to save) will be labelutil.exe.

- 6) Double click the labelutil.exe icon, and select Run. The installation process will now begin.
- 7) At the next screen, select OK.
- 8) Click on the button where prompted (the button is the one that resembles a computer).
- 9) Click on the continue button. This should complete the setup of the FOXPRO Programming Utility

NOTE: The icon on your desktop is only an .exe file used to install the programming utility to your computer. Once you have completed the installation of the program, this icon can be deleted. The actual program will be in your program files on your computer, and is called FOXPRO Programmer.

The Programming Utility is also stored on the Fury memory card.

To download and install the Programming Utility from your FURY

- 1) Connect your Fury to your PC with the supplied USB cable. Once the FURY is recognized by the PC it will be assigned a drive letter.

- 2) Enter your “MY COMPUTER” icon and locate the FURY from the list of available drive letters. Once you have located the drive for the FURY, double-click on the icon to open it up.
- 3) After the drive is opened, locate the file named labelutil.exe and then refer to steps 6 through 9 for installation of the Programming Utility.

8.3 PROGRAMMING WITH THE UTILITY

To gain access to the Fury’s USB port

- 1) Remove the battery compartment door from the back side of the Fury and remove the batteries. The USB port will be accessible through the bottom of the battery compartment.
- 2) Connect the provided USB cable between this port, and the USB port on your computer. Once the connection is made, your computer should recognize the FURY as a removable drive.

Programming Process

- 1) Double click the folder on your desktop or go to your programs folder and open the FOXPRO Programmer. You will be prompted to make a backup of your sounds.
- 2) Select OK, you will then be taken to the programming utility.
- 3) Select the proper USB drive for the FURY. This is marked as Select Device, located in the upper right portion of the programming utility.

NOTE: This drive varies on different computers. Once you have selected the drive, the list of sounds currently on your FURY appears in the right vertical window. You will now notice that a new button appears above the Select Device window that reads “Backup”. If you have not made a backup of your sounds, simply click on this button. The programmer by default will backup your sounds to a “FOXPRO” folder, and a sub folder “Backup”. This is also a good folder to use to add new sounds prior to adding sounds, or reprogramming your FURY. You can also create sub folders for different species, if you choose, rather than to have all sounds located in one folder. Once your backup is complete, you are ready to reprogram your FURY.

- 4) Select the “source” folder of your new sounds (Located on the left hand side of the programmer screen). This is the folder where your sounds are located.
- 5) Double click on the C:\ prompt, and locate the “FOXPRO” folder. The sounds sub folder should show up, assuming that you have used this folder

to store your sounds. If this is not the folder that your sounds are located in, select the proper folder.

- 6) Once the proper folder is selected, double click the folder. The sounds should now appear in the left side column, called "Source Sound Files".

Now, determine the position that you would like to add new sounds to your Fury. For example, if you would like to add the Jackrabbit Distress to your Scorpion, highlight the sound in the left side column.

NOTE: If this sound does not have a three digit number and a space located at the beginning of it, you must check the Append Sound Number box located below the left column. By selecting this box, the sound name will not be shortened. If there is a three digit number and a space before the name of the sound, there is no need to check this box. The first four characters will be either truncated or ignored, by not selecting this box.

- 7) Select the position in the right column where you would like to add the sound. If you want to overwrite the sound in that position, then click on the overwrite box, located between the two columns. This will replace the current sound in that position.

NOTE: The sound that was located in that position will be deleted. If you choose to insert the sound in that position and move all other sounds down one, click the insert button. This will add the sound in that position and not overwrite the current sound. If you would like to remove sounds from the right side column before adding new ones, simply highlight the sound, and click on the "Remove From List" button, located between the two columns.

If you would like to relocate a sound in the right sound column, you can highlight the sound and then type the position number that you would like to move it to in the "Move To" box (located below the right side column). This will move the sound to your designated number. You can also highlight the sound that you wish to move on the right column, and then click on the up or down arrows below the right side column to move the sound one position at a time. If you would like to reset your list at any time, click on the Clear/Reset List button located on the right side of the screen. This will reset the list to its initial sounds.

- 8) Click on the "Copy to Caller" button located on the right side of the screen. Your sounds will now be programmed to your FURY.

IMPORTANT NOTE: Your FURY will play .FXP, .24B .mp3 and .wav files (stereo .wav files at 32 kHz sample rate). Other file types are not supported. Although you may store .FXP sounds on your computer for later use, they can not be played on your computer, or on any audio player other than a FOXPRO caller.

8.4 DOWNLOADING NEW PLAYLIST TO TX-500

Program your sounds into the Fury as outlined in the instruction manual. Make certain that you do not use the same number for more than one sound! Note that the transmitter can only display 21 characters per line. The first 3 characters must be the sound number, from “000” through “199”. Place a space between the sound number and the sound name. 17 characters remain for the sound name. Although the sound name can have more characters, the TX-500 will only display the first 17 characters. Any additional ones will not be displayed.

- 1) Disconnect all accessories from the Fury (i.e. charger, speakers, etc.)
- 2) Turn the power off on both the Fury and the TX-500.
- 3) Turn on the TX-500.
- 4) Access the Main Menu
- 5) Enter the TRANSMITTER CONFIG menu
- 6) Highlight the UPLOAD SOUND LIST menu item and press down on the selector knob one time
- 7) Make sure the Fury is within 3 feet of the TX-500
- 8) Turn on the Fury
- 9) A progress bar on the TX-500 display will indicate the playlist is being transferred

NOTE: This process may take a few minutes. DO NOT turn off the TX-500 or Fury during this process.

FCC Information

NOTE: This equipment has been tested and found to comply with the limits for a Class B digital device, pursuant to Part 15 of the FCC Rules. These limits are designed to provide reasonable protection against harmful interference in a residential installation. This equipment generates, uses and can radiate radio frequency energy and, if not installed and used in accordance with the instructions, may cause harmful interference to radio communications. However, there is no guarantee that the interference will not occur in a particular installation. If this equipment does cause harmful interference to radio or television reception, which can be determined by turning the equipment off and on, the user is encouraged to correct the interference by one or more of the following measures:

- Reorient or relocate the receiving antenna.
- Increase the separation between the equipment and receiver.
- Connect the equipment into an outlet or circuit different that to which the receiver is connected.
- Consult the dealer or an experienced radio/TV technician for help.

Operation is subject to the following two conditions: (1) this device may not cause interference, and (2) this device must accept any interference, including interference that may cause undesired operation of this device.

Modifications not expressly approved by the manufacturer could void the user's authority to operate the equipment under FCC rules.

RF Exposure Safety Notice

The TX-500 transmitter is not intended to be operated closer than 20cm (about 8 inches) to your body. The transmitter can produce a radiated RF field similar to that of a standard cell telephone, although the duty cycle of this RF field is much lower than that of a cell telephone. Using the transmitter closer than 8 inches to your body can increase your exposure to RF energy levels thought by some to be harmful. Additionally, operation in close proximity to your body can detune the antenna causing a decrease in operating performance.

NOTES:

NOTES:

LIMITED WARRANTY STATEMENT

Your FOXPRO wildlife caller is warranted to be free from defects in materials and workmanship that diminish its usefulness for a period of five years from the date of purchase. Return the unit prepaid and packaged securely **along with proof of purchase** to the address shown below. Include a note describing the defect or problem. This limited warranty is void if the unit is physically damaged, used in a manner contrary to intended use, or otherwise abused, either intentionally or unintentionally. Also specifically excluded are batteries and damage caused by attempts to charge batteries not intended to be recharged, and water damage.



FOXPRO Inc. 14 Fox Hollow Drive • Lewistown, PA 17044 • (717) 248-2507

www.gofoxpro.com

Publication Date: November 4, 2008