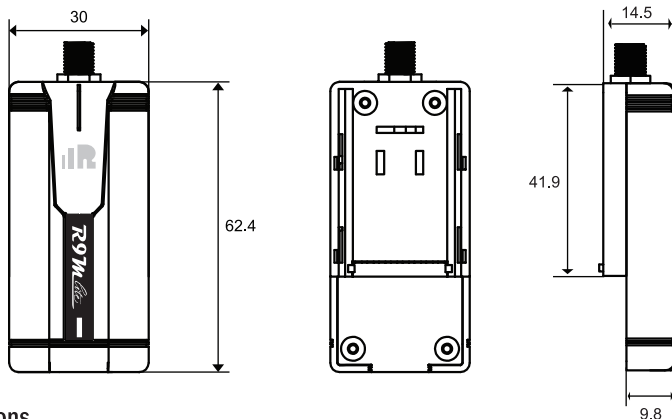


Introduction

Thank you for purchasing FrSky R9M Lite telemetry module. Especially designed for FrSky Taranis X-Lite, it has both low latency and high precision RC system. In order to fully enjoy the benefits of this system, please read the instruction manual carefully and set up the device as described below.

Overview



Specifications

- Dimension: 62.4mm × 30mm×14.5mm (L×W×H)
- Weight: 20g
- Channel: 43CH
- Operating Current: 100mA
- Upgrade Interface: Smart Port
- RF Operating Frequency: 904-925MHz
- Compatibility: R9 series receivers



Smart Port (S. Port) is a signal wire full duplex digital transmission interface developed by FrSky Electronic Co., Ltd. All products enabled with Smart Port (including XJT module, RX8R receiver, new hub-less sensors, new Smart Dashboard, etc), serial port user data and other user input/output devices can be connected without limitations for numbers or sequences at a high transmission speed.

Features

- Firmware upgradable on Taranis X-Lite
- Telemetry data transmission supported
- Long Range, Low Latency and High precision RC system

LED State

Green LED	Red LED	Blue LED	Status
OFF	Flashing	OFF	Waiting To Binding
Flashing	ON	OFF	Normal
OFF	OFF	Flashing	Range Check

Binding procedure

Binding is the process of uniquely associating a receiver to a transmitter RF module. A transmitter external RF module can be bound to multiple receivers (not to be used simultaneously). A receiver can only be bound to one RF module.

1. Put the transmitter RF module into binding mode

Turn on X-Lite, go to the MENU-MODEL SETUP—PAGE 2, choose External RF—Mode R9M—FCC, then select select Bind (OpenTX 2.2.2 and its improved versions are strongly recommended).

2. Connect the battery to the receiver while holding its F/S button. The RED LED on the receiver will flash, indicating the binding process is completed.

3. Reboot the receiver and go back to normal mode of the transmitter RF module. The flashing of GREEN LED on the receiver indicating the receiver is receiving commands from the transmitter. Binding of the receiver/transmitter module will not have to be repeated unless one of the two is replaced.

Note: After binding procedure is completed, resupply the power and check if the receiver is truly communicating with the transmitter.

Range Check

A pre-flight range check should be done before each flying session. Reflections from nearby metal fences, concrete buildings or trees can cause loss of signal during range check and flight. Under Range Check mode, RF power will decrease and Range distance will reduce to 1/30-1/10 that of Normal model.

1. Place the model at least 60cm (two feet) above non-metal contaminated ground (e.g. on a wooden bench). The receiver antenna should be in vertical position.

2. Turn on the transmitter and the receiver, go to MODEL SETUP—External RF—Mode R9M—Range.

How to Set Failsafe mode (on the transmitter)

There are 3 failsafe modes: No Pulse, Hold, Custom

- No Pulse: on loss of signal the receiver produces no pulses on any channel. To apply this type, select it in the menu and wait 9 seconds for the failsafe to take effect.
- Hold: the model will hold the last position after signal lost. To apply this type, select it in the menu and wait 9 seconds for failsafe to take effect.
- Custom: the customized position of each individual channel. The model will move to the preset position after signal lost. Move the cursor to "Set" and press ENTER, you will see FAILSAFE SETTING screen below. Move the cursor to the channel you want to set failsafe on, and press ENTER. When moving the corresponding sticks or switches, you will see the channel bar moving. Move the channel bar to the place you want for failsafe and long press ENTER to finish the setting. Wait 9 seconds before failsafe taking effect.

Note: If failsafe is not set, the model will hold the last position after signal is lost, thus it may fly away or cause injury.

More information please refer to the introduction manual for transmitter.

FrSky is continuously adding features and improvements to our products. To get the most from your product, please check the download section of the FrSky website www.frsky-rc.com for the latest update firmware and manuals

FCC Caution.

This device complies with part 15 of the FCC Rules. Operation is subject to the following two conditions:

- (1) This device may not cause harmful interference, and
- (2) this device must accept any interference received, including interference that may cause undesired operation.

Any Changes or modifications not expressly approved by the party responsible for compliance could void the user's authority to operate the equipment.

Note: This equipment has been tested and found to comply with the limits for a Class B digital device, pursuant to part 15 of the FCC Rules. These limits are designed to provide reasonable protection against harmful interference in a residential installation. This equipment generates uses and can radiate radio frequency energy and, if not installed and used in accordance with the instructions, may cause harmful interference to radio communications. However, there is no guarantee that interference will not occur in a particular installation. If this equipment does cause harmful interference to radio or television reception, which can be determined by turning the equipment off and on, the user is encouraged to try to correct the interference by one or more of the following measures:

- Reorient or relocate the receiving antenna.
- Increase the separation between the equipment and receiver.
- Connect the equipment into an outlet on a circuit different from that to which the receiver is connected.
- Consult the dealer or an experienced radio/TV technician for help.

This equipment complies with FCC radiation exposure limits set forth for an uncontrolled environment. This equipment should be installed and operated with minimum distance 20cm between the radiator & your body.