



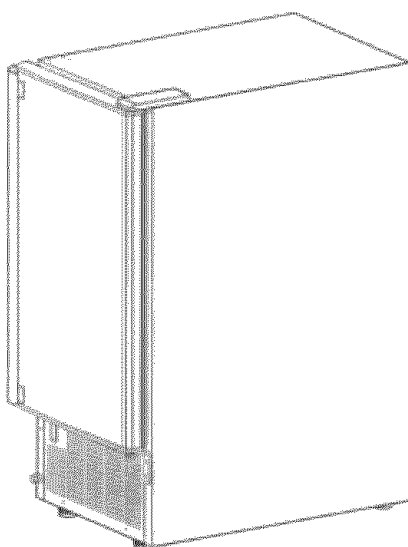
## **Automatic Undercounter Ice Maker**

---

## **Máquina automática para hacer hielo**

---

## **Machine automatique pour la fabrication des glaçons**



**User's Manual (pages 1 - 26)**

**Manual del usuario (páginas 27 a 53)**

**Manuel de l'utilisateur (pages 54 à 79)**

**Be sure ice maker is standing upright 24 hours prior to plug-in.**

**Asegúrese que la máquina esté parada en posición vertical  
24 horas antes que sea conectada.**

**Verifiez que la machine se tient debout 24 heures  
avant qu'elle se branche.**

**Franklin Industries, LLC**

4100 First Avenue

Brooklyn, NY 11232-3321

Tel.: 1-888-424-8278

E-mail: [customerservice@franklinchef.com](mailto:customerservice@franklinchef.com)

**Model/Modelo/Modèle**

**FIM35**

# TABLE OF CONTENTS

	Page
ICE MAKER SAFETY . . . . .	2
IMPORTANT SAFEGUARDS . . . . .	3 - 5
TECHNICAL INFORMATION . . . . .	5
INTRODUCTION . . . . .	6
COMPONENT LOCATIONS . . . . .	6 - 7
ICE MAKER INSTALLATION . . . . .	7 - 13a
Unpacking . . . . .	7 - 8
Location Requirements . . . . .	8 - 9
Electrical Requirements . . . . .	9 - 10
Leveling the Ice Maker . . . . .	10 - 11
Reversing the Door Swing . . . . .	11
Water Supply . . . . .	12 - 13
Installation Types . . . . .	13 - 13a
OPERATION . . . . .	14 - 17
Final Checklist before Operation . . . . .	14
Operating Method . . . . .	14 - 15
How the Machine Makes Ice . . . . .	15 - 16
Normal Sounds . . . . .	17
Preparing the Ice Maker for Long Storage . . . . .	17
CLEANING AND MAINTENANCE . . . . .	18 - 23
Exterior Cleaning . . . . .	18
Interior Cleaning . . . . .	19
Condenser Cleaning . . . . .	19 - 20
Water Distribution Tube Cleaning . . . . .	20
Ice-Making System Cleaning . . . . .	20 - 21
Control Panel . . . . .	22 - 23
MAJOR FUNCTIONS . . . . .	23
TROUBLESHOOTING . . . . .	24 - 25
LIMITED WARRANTY . . . . .	26
SPANISH VERSION OF THIS MANUAL . . . . .	27 - 53
FRENCH VERSION OF THIS MANUAL . . . . .	54 - 79

**We reserve the right to make changes in specifications and design without prior notice.**

# ICE MAKER SAFETY

*Your safety and the safety of others are very important.*

We have provided many important safety messages in this manual and on your appliance. Always read and obey all safety messages.



This is the Safety Alert Symbol. This symbol alerts you to potential hazards that can injure or kill you and others. All safety messages will follow the Safety Alert Symbol and either the words “DANGER”, “WARNING” OR “CAUTION”.



DANGER means that failure to heed this safety statement may result in severe personal injury or death.



WARNING means that failure to heed this safety statement may result in extensive product damage, serious personal injury, or death.



CAUTION means that failure to heed this safety statement may result in minor or moderate personal injury, or property or equipment damage.

All safety messages will alert you to what the potential hazard is, tell you how to reduce the chance of injury, and let you know what can happen if the instructions are not followed.

## IMPORTANT SAFETY INSTRUCTIONS

**WARNING: To reduce the risk of fire, electric shock or injury when using your ice maker, follow these basic precautions:**

- *Plug into grounded 3-prong outlet*
- *Do not remove grounding prong*
- *Do not use an adapter*
- *Do not use an extension cord*
- *Disconnect power before cleaning*
- *Disconnect power before servicing*
- *Replace all panels before operating*
- *Use 2 or more people to move & install ice maker*

**SAVE THESE INSTRUCTIONS**

## IMPORTANT SAFEGUARDS



Before the ice maker is used, it must be properly positioned and installed as described in this manual, so read the manual carefully. Franklin Industries strongly recommends that you have a professional install your new machine. The warranty may be affected or voided by an incorrect installation. To reduce the risk of fire, electrical shock or injury when using the ice maker, follow basic precautions, including the following:

### **⚠ DANGER ⚠**

- Plug into a grounded 3-prong outlet; do not remove grounding prong, do not use an adapter, and do not use an extension cord.
- It is recommended that a separate circuit, serving only your ice maker, be provided. Use receptacles that cannot be turned off by a switch or pull chain.
- Do not connect or disconnect the electric plug when your hands are wet.
- Never unplug the ice maker by pulling on the power cord. Always grip the plug firmly and pull straight out from the outlet.
- Never clean ice maker parts with flammable fluids. Do not store or use gasoline or other flammable vapors and liquids in the vicinity of this or any other appliance. The fumes can create a fire hazard or explosion.
- Before proceeding with cleaning and maintenance operations, make sure the power line of the unit is disconnected and the water line is shut off. (EXCEPTION: When cleaning the machine's ice making and water systems, see pages 20 - 21)
- Before operating, put all panels back into place.
- Never allow children to operate, play with or crawl inside the ice maker.
- Do not touch the evaporator with your hand when the machine is operating.
- Unplug the ice maker or disconnect power before cleaning or servicing. Failure to do so can result in electrical shock or death.
- Do not attempt to repair or replace any part of your ice maker unless it is specifically recommended in this manual. All other servicing should be referred to a qualified technician.

### **⚠ WARNING**

- Use two or more people to move and install ice maker. Failure to do so can result in back or other injury.
- To ensure proper ventilation for your ice maker, the front of the unit must be completely unobstructed. Choose a well-ventilated area with temperatures above

50°F (10°C) and below 100°F (38°C). This unit MUST be installed in an area protected from the elements, such as wind, rain, water spray or drips.

- The ice maker should not be located next to ovens, grills or other sources of high heat.
- The ice maker must be installed with all electrical and water connections in accordance with state and local codes. A standard electrical supply (115 VAC only, 60 Hz, 15 A), properly grounded in accordance with the National Electrical Code and local codes and ordinances is required.
- Do not kink or pinch the power supply cord or drain lines between the ice maker and the cabinet.
- The fuse (or circuit breaker) size should be 15 amperes.
- It is important for the ice maker to be leveled in order to work properly. You may need to make several adjustments to level it.
- All installations must be in accordance with local plumbing code requirements.
- Make certain that the hoses are not pinched or kinked or damaged during installation.
- Check for leaks after connection.
- Although the unit has been tested at the factory, due to long-term transit and storage, the first batch of cubes must be discarded.
- Remove the packing materials and clean the ice maker before using.
- Turn on the water supply tap before switching on the ice maker. Never turn the water supply tap off when the ice maker is working.
- Except to take ice from the unit, keep the door closed in order to reduce ice melting and to promote proper ice formation.
- If the ice maker will not be used for a long time, before the next use it must be thoroughly cleaned. Follow carefully any instructions provided for cleaning or use of sanitizing solution. Do not leave any solution inside the ice maker after cleaning.
- DO NOT touch the condenser fins. The condenser fins are sharp and can be easily damaged.
- DO NOT use solvent-based cleaning agents or abrasives on the interior. These cleaners may transmit taste to the ice cubes, or damage or discolor the interior.
- The ice machine cleaner contains acids. DO NOT use or mix with any other solvent-based cleaner products. Use rubber gloves to protect hands. Carefully read the material safety instructions on the container of the ice machine cleaner.
- Do not use this apparatus for other than its intended purpose.

**SAVE THESE INSTRUCTIONS**

### Electrical Connection

Do not, under any circumstances, cut or remove the third (ground) prong from the power cord. For personal safety, this appliance must be properly grounded. The power cord of this appliance is equipped with a 3-prong grounding plug that mates with a standard 3-prong grounding wall outlet to minimize the possibility of electric shock hazard from the appliance. Have the wall outlet and circuit checked by a qualified electrician to make sure the outlet is properly grounded. When a standard 2-prong wall outlet is encountered, it is your responsibility and obligation to have it replaced with a properly grounded 3-prong wall outlet. The ice maker should always be plugged into its own individual electrical outlet which has a voltage rating that matches the rating label on the appliance. This provides the best performance and also prevents overloading house wiring circuits which could cause a fire hazard from overheated wires. Never unplug your ice maker by pulling on the power cord. Always grip the plug firmly and pull straight out from the outlet. Repair or replace immediately all power cords that have become frayed or otherwise damaged. Do not use a cord that shows cracks or abrasion damage along its length or at either end. When moving the ice maker, be careful not to damage the power cord.

### Extension Cord

Because of potential safety hazards under certain conditions, it is strongly recommended that you do not use an extension cord with this ice maker.

## Technical Information

<b>Model:</b>	FIM35
<b>Electrical input:</b>	115VAC ~ 60Hz
<b>Power consumption:</b>	13.2 kWh/100 lbs of ice
<b>Ice-making/Ice-harvest rated current:</b>	3.7A/4.8A
<b>Refrigerant:</b>	R134a, 6.35 oz.
<b>High/Low side pressure:</b>	350psig/120psig
<b>Unit width x depth x height:</b>	14.6" x 23.6" x 33.5" *
<b>Unit weight:</b>	91.5 lbs
<b>Ice storage capacity:</b>	25 lbs maximum
<b>Ice-making capability:</b>	44 lbs/day**
<b>Ice shape:</b>	Cube
<b>Ice cube dimensions:</b>	¾" x ¾" x 1"

The technical data and performance index listed above should be used for reference only. They are subject to change.

\* The width dimension is measured with stability supports not extended.

\*\*The actual quantity of ice produced per day can vary with room and water conditions.

# Introduction

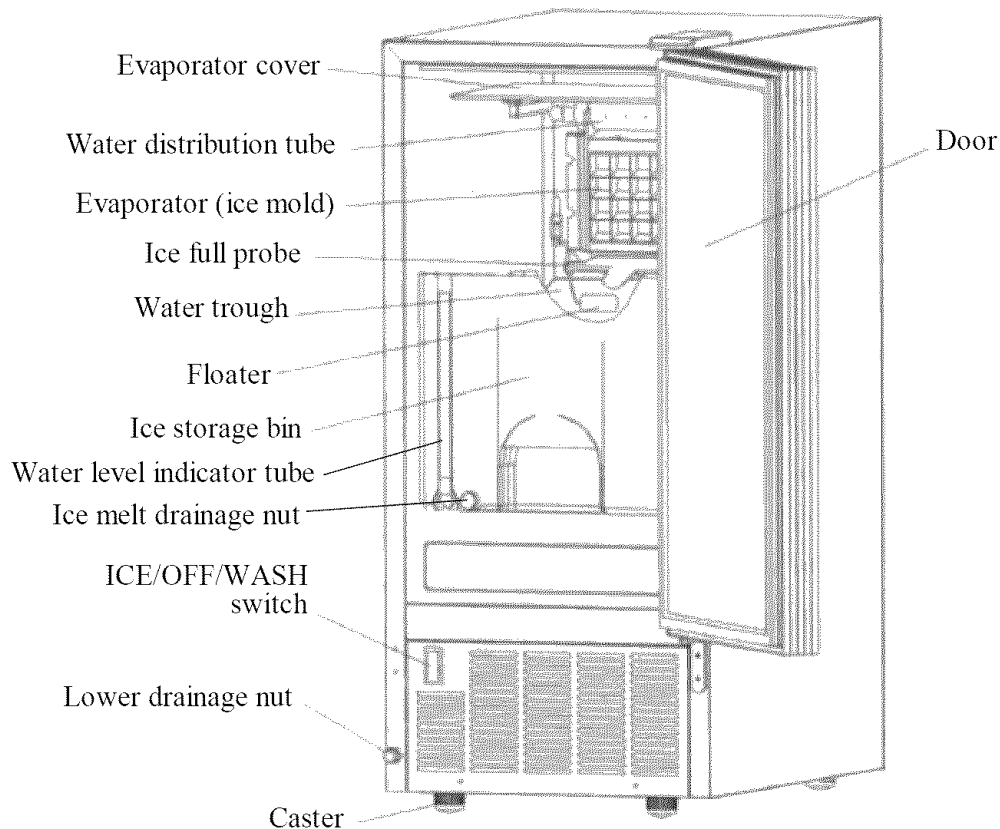
The Franklin Chef™ FIM35 Ice Maker produces hard, crystal-clear, gourmet cube ice, and offers convenience for homeowners and hotel guests. An insulated ice storage bin is built in.

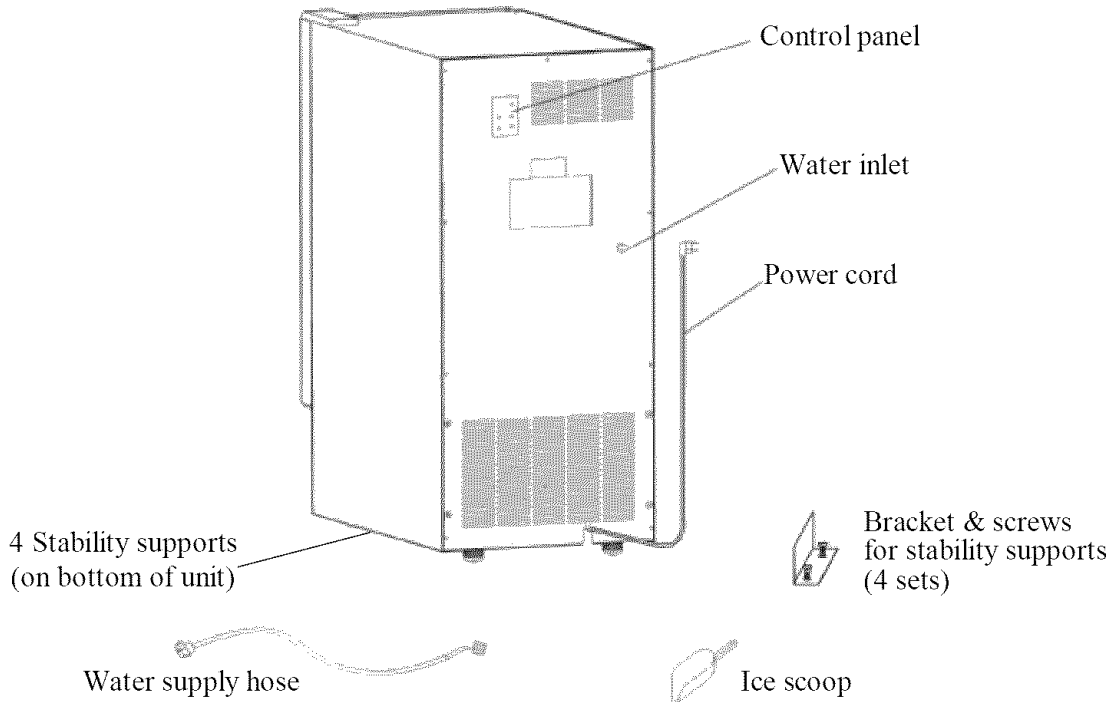
This user's manual is intended as a resource for persons installing, using and servicing model FIM35. It contains valuable information on safety and maintenance. Franklin Chef™ strongly recommends that this manual be kept in a place where it can be accessed when needed.

Every Franklin Chef™ Ice Maker is designed and manufactured according to the highest standards of safety and performance. It meets or exceeds the safety standard of UL563 and sanitation standard NSF12.

Franklin Industries, LLC, assumes no liability or responsibility of any kind for products manufactured by Franklin Industries, LLC, that have been altered in any way, including the use of any parts and/or other components not specifically approved by Franklin Industries, LLC. Franklin Industries, LLC, reserves the right to make design changes and/or improvements at any time. Specifications and designs are subject to change without notice.


## Component Locations





## Ice Maker Installation

### *Unpacking*

 **WARNING**

**Excessive Weight Hazard**

Use two or more persons to move and install ice maker.  
Failure to do so can result in back or other injury.

### **Remove packaging materials**

*IMPORTANT: Do not remove any permanent instruction labels or the data label on your ice maker.*

Remove tape and glue from your ice maker before using.

- To remove any remaining tape or glue, rub the area briskly with your thumb. Tape or glue residue can also be easily removed by rubbing a small amount of liquid dish soap over the adhesive with your fingers. Wipe with warm water and dry.
- Do not use sharp instruments, rubbing alcohol, flammable fluids, or abrasive cleaners to remove tape or glue. These products can damage the surface of your ice maker.

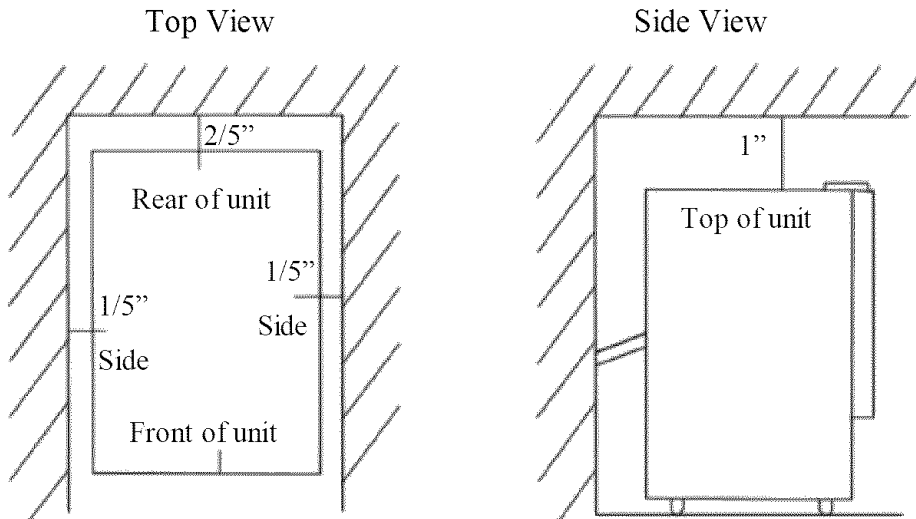


## Cleaning before use

After you remove all of the packaging materials, clean the inside of your ice maker before using it. See “Interior Cleaning” in the *Cleaning and Maintenance* section.

## Location Requirements

### INSTALLATION CLEARANCES:



- This ice maker should be installed by qualified personnel.
- To ensure proper ventilation for your ice maker, the front of the unit must be completely unobstructed.
- When installing the ice maker under a counter, follow the recommended spacing dimensions shown. Allow at least 10 mm (2/5") clearance at rear, 5 mm (1/5") at the sides and 25 mm (1") at the top for proper air circulation. The installation should allow the ice maker to be pulled forward for servicing if necessary.
- Choose a well-ventilated area with temperatures above 50°F (10°C) and below 100°F (38°C). This unit **MUST** be installed in an area protected from the elements, such as wind, rain, water spray or drips.
- The unit should not be located next to ovens, grills or other sources of high heat.
- Installation of the ice maker requires a cold water supply inlet of 6.35 mm (1/4 in.) soft copper tubing with a shut-off valve.
- The ice maker requires a continuous water supply with a minimum pressure of 15 psig and a static pressure not to exceed 80 psig. The temperature of the water feeding into the ice maker should be between 41°F (5°C) and 90°F (32°C) for proper operation.

## **⚠ WARNING**

Normal operating ambient temperature should be between 50°F (10°C) and 100°F (38°C). Normal operating water temperature should be between 41°F (5°C) and 90°F (32°C). Operation of the ice maker for extended periods outside of these normal temperature ranges may affect production capacity.

- In general, it is always a good idea to filter the water. A water filter, if it is of the proper type, can remove taste and odors as well as particles. Where water is very hard, softened water may result in white, mushy cubes that stick together. Deionized water is not recommended.
- The ice maker must be installed with all electrical and water connections in accordance with state and local codes.
- The unit should be located on a firm and level surface. It is important for the ice maker to be level in order to work properly. If needed, you can adjust the height of the ice maker by rotating the feet. See the “Leveling the Ice Maker” section.
- A standard electrical supply (115 VAC only, 60 Hz, 15 A), properly grounded in accordance with National Electrical Code and local codes and ordinances is required.
- **IMPORTANT:** Do not kink or pinch the power supply cord between the ice maker and wall or cabinet.

### ***Electrical Requirements***

## **⚠ DANGER ⚠**



### **Electrical Shock Hazard**

Plug into a grounded 3-prong outlet.  
Never remove the grounding prong from the plug.  
Never use an adapter.  
Never use an extension cord.  
Failure to follow these instructions can result in fire,  
electrical shock or death.

Before you move your ice maker into its final location, it is important to make sure you have the proper electrical connection.

A standard electrical supply (115 VAC only, 60 Hz, 15 A), properly grounded in accordance with National Electrical Code and local codes and ordinances, is required. The ice maker should always be plugged into its own individual electrical outlet.

It is recommended that a separate circuit, serving only your ice maker, be provided. Use receptacles that cannot be turned off by a switch or pull chain.

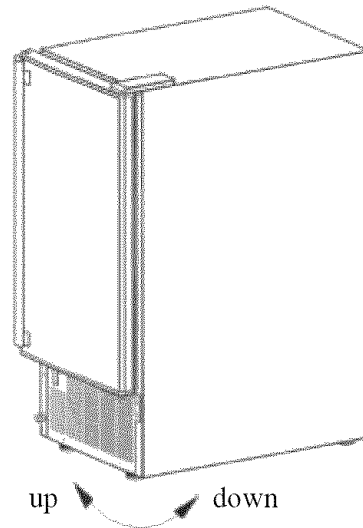
The fuse (or circuit breaker) size should be 15 amperes.

### **Recommended grounding method**

For your personal safety, this appliance must be grounded. It is equipped with a power supply cord having a 3-prong grounding plug. To minimize possible shock hazard, the cord must be plugged into a mating 3-pronged and grounding-type wall receptacle, grounded in accordance with the National Electrical Code and local codes and ordinances. If a mating wall receptacle is not available, it is the personal responsibility of the customer to have a properly grounded, 3-prong wall receptacle installed by a qualified electrician.

### ***Leveling the Ice Maker***

It is important for the ice maker to be leveled in order to work properly. Otherwise, water may not flow properly through the evaporator (ice mold). Ice production will be less than normal, and operation will be noisy. The ice maker can be raised or lowered by rotating the plastic sheaths around each of the four rolling casters on the bottom of the machine. If you find that the surface is not level, rotate the casters until the ice maker becomes level. (*See illustration.*) You may need to make several adjustments to level it. We recommend using a carpenter's level to check the machine.



1. Place a carpenter's level on top of the ice maker to see if the machine is level from front to back and side to side.
2. Adjust the height of the casters as follows:
  - Turn the leveling caster to the right to lower that side of the ice maker.
  - Turn the leveling caster to the left to raise that side of the ice maker.

You will find that the casters make it easy for one person to move the machine. This is useful for cleaning and sanitizing the surface on which the ice maker is installed because it allows you to move the unit and have easy access to the surface to be cleaned.

*IMPORTANT: When the ice maker is ready to be installed in a cabinet or directly on the floor, you must adjust the feet to level it and lock the rollers. If the floor is level, just revolve the two front feet to touch the floor.*

## ***Reversing the Door Swing***

**Tools needed:** flathead screwdriver, Phillips screwdriver

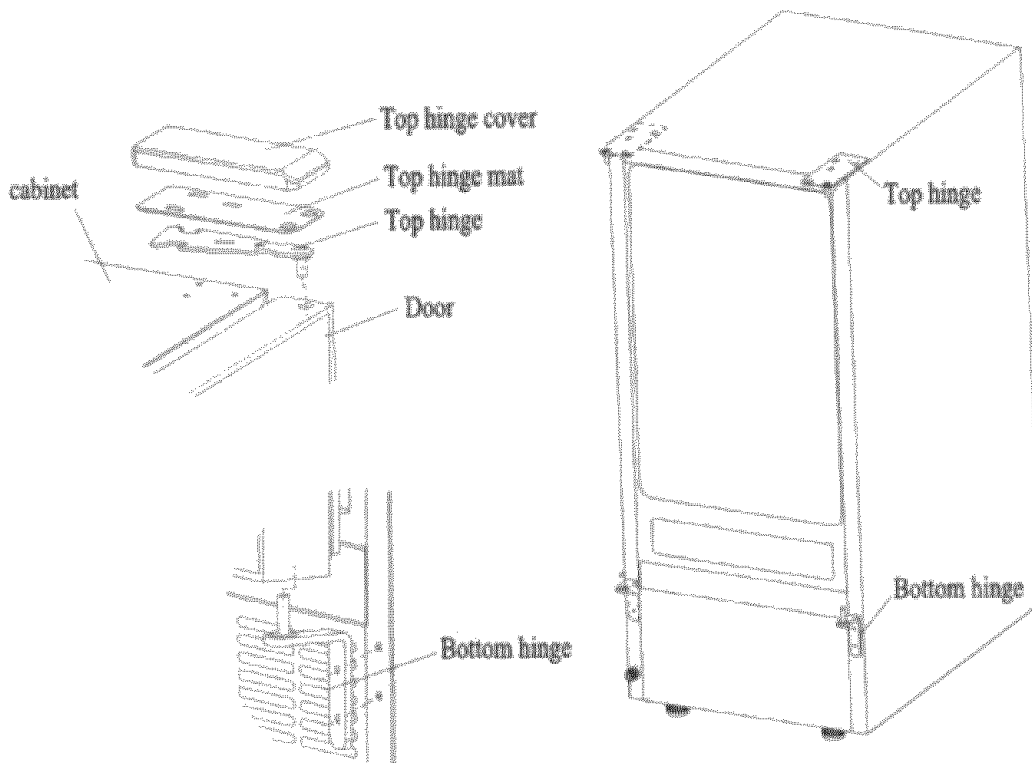
*IMPORTANT: Before you begin, unplug the ice maker or disconnect power.*

### **To remove door from hinges:**

1. Remove the top hinge cover.
2. Using a Phillips screwdriver, remove the screws and take off top hinge mat and top hinge. Keep the parts together and set them aside.
3. Lift door off bottom hinge and turn it upside down so that the handle is on the right. Set door aside.

### **To replace door on hinges:**

1. Using a flathead screwdriver, remove the plug buttons from the screw holes opposite the door hinges, top and bottom. Set aside.
2. Remove the bottom hinge, place on the opposite side at the bottom of the door.
3. Position the door on the bottom hinge.
4. Align the door on the bottom hinge and replace the top hinge and top hinge mat.
5. Replace the top hinge cover.
6. Push the plug buttons into the original screw holes. See Figure below.



## Water Supply

The water supply should be ready at the point of installation. The water supply pressure should be a minimum of 15 psig with a static pressure not more than 80 psig. (A wall outlet directly behind the ice maker will make installation easier.)

### **IMPORTANT:**

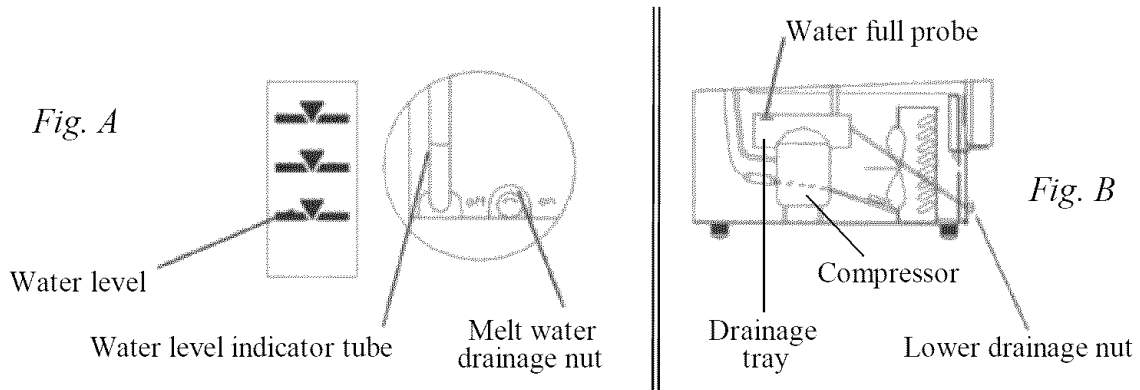
1. All installations must be in accordance with local plumbing code requirements. Professional installation is recommended.
2. Make certain that the hoses are not pinched or kinked or damaged during installation.
3. Check for leaks after connection.

**Tools required:** ½ in. open-end wrench, Phillips screwdriver

### **Connecting the water line:**

1. Turn off main water supply. Turn on nearest faucet long enough to clear line of water.
2. Find a ½ in. to ¾ in. vertical cold water pipe near the installation location. The distance should be less than 9 feet. The water supply hose provided with the ice maker is about 9 feet long.
3. A shut-off valve must be installed to the main water supply. If the water pipe has a plain piece of copper tubing, attach a ¼" O.D. compression union to the tubing and remove the nut.
4. Connect nuts of the water supply hose to tap and water inlet valve. Tighten firmly by hand, then one-half turn with wrench.
5. Turn on main water supply and tap. Check for water supply connection leaks. Tighten every connection (including connections at the water inlet).

**This type of ice maker does not require a drain line.** The ice storage bin collects water through ice cube melting. The water level of the ice storage bin can be seen through the water level indicator tube. When required, the melt water must be discharged through the melt water drainage nut on the front of the ice storage bin. The nut must be tightened afterwards. (Do not loosen or screw off this nut at other times.) See Fig. A below.



**IMPORTANT:**

- Drain the melt water regularly or you will risk a high rate of melting in the ice storage bin if the water level reaches the ice.
- The unit drains condensation water to the drainage tray on top of the compressor. (See Figure B at bottom of page 12.) This water is slowly evaporated by the heat generated by the compressor. If the drainage tray on top of the compressor becomes full of water, this is detected by the Water Full Probe and the machine shuts off automatically. At the same time, the ice maker sends out an alarm signal and the red, green and yellow LEDs on the Control Panel at the back of the unit flash together. Once the excess water is drained through the drainage nut at the bottom of the ice maker, the machine will start working again automatically.

### ***Installation Types***

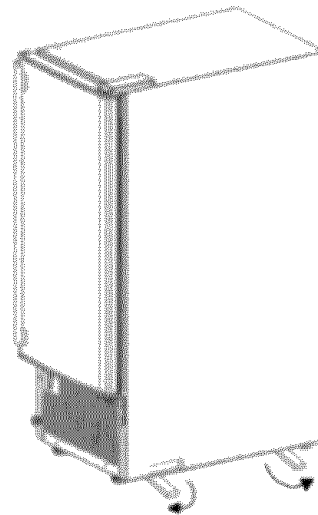
This ice maker has been designed for Mobile (free-standing) installation. It can also be Enclosed (as under a cabinet) or Built-in (sealed to the floor). In every case, there must be adequate air space around the unit for ventilation purposes (see diagrams on page 8).

#### **Mobile Installation:**

A mobile installation will allow you to install the ice maker free-standing in any place you desire provided you have access to a water supply. You must follow the stated instructions for

- a. Electrical requirements
- b. Water supply
- c. Leveling the ice maker.

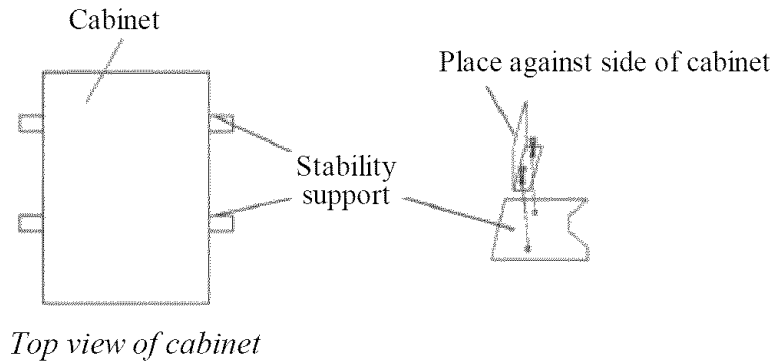
There are four stability supports included with the unit. For mobile installation, these supports, which are located on the bottom of the ice maker, should be turned so that two supports extend out from each side of the unit. (See figure.) The supports add stability to the ice maker.



*To secure the stability supports in position:*

Inside the unit you will find a packet containing four L-shaped brackets and eight screws. One bracket and two screws will be used to secure each stability support and keep it from rotating out of position. You should attach them as follows:

1. Once the stability supports have been turned outward, adjust the bolt under each support and also the casters under the cabinet until the unit is stable and level.



2. Place a bracket on top of one of the supports so that the longside of the bracket is flush against the cabinet and the two holes in the bracket align with the corresponding holes in the stability support.
3. Use two of the supplied screws to fasten the bracket securely to the support.
4. Repeat steps 2 and 3 with the other three stability supports.

**CAUTION:**

- a) Be sure all four casters are touching the ground. The weight of the unit should not rest entirely on the stability supports since this could damage them.
- b) The ice maker should not wobble. The stability supports add stability to the unit and minimize the danger of tipping over in the event that it is accidentally pushed. They also help assure the proper functioning of the unit.

**Enclosed Installation:**

An enclosed installation will allow you to install the ice maker under a cabinet, or in a kitchen cabinet provided the required clearance space around the ice maker is respected. This installation has the same requirements as a mobile installation.

**Built-in Installation:**

If this method of installation is chosen, it will still be necessary to allow adequate ventilation space around the unit. The following additional items must be observed.

1. Place the ice maker in front of the installation location. Remove the feet and place the unit flat on the floor or on a platform depending on your installation requirements.
2. The water supply line must be plumbed before connecting to the ice maker.
3. Turn on the main water supply and tap. Check for water supply connection leaks. Tighten every connection (including connections at the water inlet).
4. If the electrical outlet for the ice maker is behind the cabinet, plug in the ice maker.
5. Push the ice maker into position.
6. Seal all around the cabinet to the floor with an approved caulking compound.

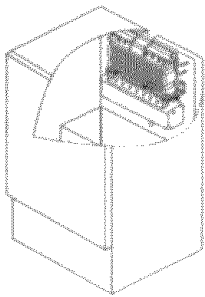
# Operation

## *Final Check List before Operation*

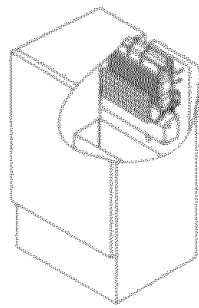
1. Have all packing materials and tape been removed from the interior and exterior of the ice maker?
2. Did you clean the ice storage bin?
3. Have the installation instructions been followed, including connecting the machine to water and electricity?
4. Has the machine been leveled?
5. Is the ice maker in a site where the ambient temperature is between 10° C (50° F) and 38° C (100° F) and the water temperature between 5° C (41° F) and 32° C (90° F) all year round?
6. Has the water supply pressure been checked to ensure a minimum of 15 psig with a static pressure not to exceed 80 psig?
7. Is there a clearance of at least 2/5" (10 mm) at the rear, 1" (25 mm) at the top and 1/5" (5 mm) at the sides for proper air circulation?
8. Has the power supply voltage been checked or tested against the nameplate rating? And has proper grounding been installed for the ice maker?
9. Is the ice maker plugged in?
10. Have you turned on the main water supply and the tap?
11. Have you checked for leaks at all water supply connections?

## *Operating Method*

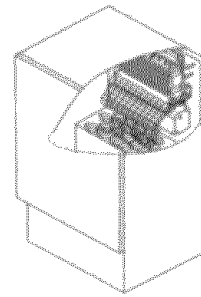
1. Turn on the water tap, let the water trough fill, then switch the ICE/OFF/WASH switch on the front panel to the ICE position. The ice maker will start working automatically.



Ice making stage



Ice harvest stage



Ice full stage



2. After three minutes, the machine will automatically go to the ice making stage, and the sound of flowing water will be heard.
3. When the batch of ice has been fully formed, ice will automatically be harvested to the ice storage bin.
4. When the ice storage bin is full, the sheet of cubes will not fall completely and will hold the ice-full probe open. The machine stops making ice and automatically progresses to the cold preservation stage. During this stage, the compressor works regularly to keep the temperature lower to reduce ice melting.
5. The unit will start making ice again after the ice cubes are removed. At that time, the ice-full probe swings back to operating position.
6. **NOTE: There is a tray located inside the unit on top of the compressor to catch condensation and splash water. When this drainage tray is full, the machine stops working and an alarm sounds regularly. Only when water is drained off by unscrewing the lower drainage nut does the machine start working again.**

***IMPORTANT:***

- *Although the unit has been tested and cleaned at the factory, due to long-term transit and storage, the first batch of cubes must be discarded.*
- *Never turn the water supply tap off when the ice maker is working.*
- *Never touch the evaporator when the machine is running.*
- *Except to take ice from the unit, keep the door closed to reduce melting and insure proper ice formation.*
- *Drain the melt water regularly from the ice storage bin.*
- *Drain water from the drainage tray above the compressor by screwing off the lower drainage nut when the unit stops working and alarms regularly.*

## ***How the Machine Makes Ice***

Turn the ICE/OFF/WASH switch to the ICE position. The machine will automatically start the ice making stage.

There are two distinct cycles: freeze and harvest.

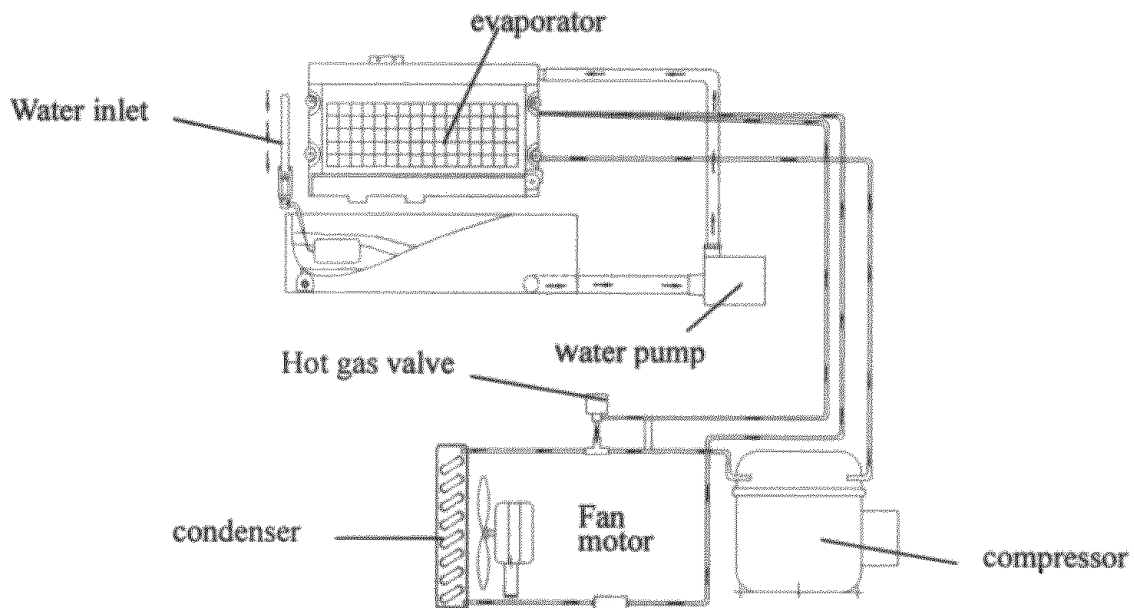
During the freeze cycle, water flows to the evaporator surface. In the harvest cycle, the ice is released and water enters the machine. A complete cycle can take 15 to 40 minutes, depending on temperature and operating conditions.

**Freeze:** During the freeze cycle the compressor is pumping refrigerant, the fan motor is blowing air, and the water pump is circulating water. When the batch of ice has been fully formed, the ice maker stops the freeze cycle and begins the harvest cycle.

**Harvest:** During the harvest cycle the compressor is still operating, but the water pump has stopped. The hot gas valve opens, diverting hot refrigerant gas into the evaporator. The gas warms the evaporator, causing the cubes to slide, as a unit, off the evaporator and into the storage bin. The freeze cycle will restart when all the cubes have been harvested.

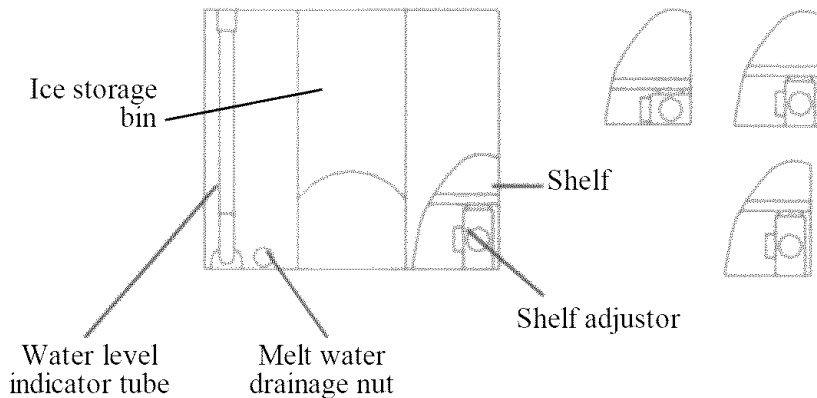
**How the machine uses water:**

The ice maker begins with a fixed charge of water that is contained in the water trough. As the water flows to the freezing evaporator surface, the portion of water that does not contain mineral impurities will freeze and stick to the ice cube molds. The water containing impurities falls back into the trough. During the ice-making process, fresh water enters the water trough continuously as the water from the trough freezes continuously on the evaporator.



**How to adjust the capacity of the ice storage bin**

The ice storage capacity can be increased or decreased by moving the adjustable shelf to different placements. You can decide the shelf's most efficient location according to your usage of ice.



## ***Normal Sounds***

Your new ice maker may make sounds that are unfamiliar to you. Most of the new sounds are normal. Hard surfaces like the floor and walls can amplify the sounds. The following describes the kinds of sounds that might be new to you and what may be causing them.

- Rattling noises may come from the flow of the refrigerant or the water line. Items stored on top of the ice maker can also make noises.
- The high-efficiency compressor may make a pulsating or high-pitched sound.
- Running water may make a splashing sound.
- You may hear air being forced over the condenser by the condenser fan.
- During the harvest cycle, you may hear the sound of ice cubes falling into the ice storage bin.

## ***Preparing the Ice Maker for Long Storage***

If the ice maker will not be used for a long time, or is to be moved to another place, it will be necessary to drain the system of water.

1. Shut off the water supply at the main water source.
2. Disconnect the water supply line from the water inlet.
3. Shut off the electric supply at the main electrical power source.
4. Take out the ice storage bin to remove ice and water. Dry it.
5. Screw off the lower drainage nut and drain out water completely, then tighten the nut after finishing.
6. Pull off the drainage tube of the water trough to drain off all water.
7. Leave the door open to allow for circulation and to prevent mold and mildew.
8. Leave the water supply line and power cord disconnected until ready to reuse.

### ***IMPORTANT:***

- *Do not touch the power plug when your hands are wet.*
- *Never unplug the unit by pulling on the plug.*

## Cleaning and Maintenance

### CAUTION

If the ice maker is left unused for a long time, before the next use it must be thoroughly cleaned. Follow carefully any instructions provided for cleaning or use of sanitizing solution. Do not leave any solution inside the ice maker after cleaning.

Periodic cleaning and proper maintenance will ensure efficiency, top performance, and long life. The maintenance intervals listed are based on normal conditions. You may want to shorten the intervals if you have pets or there are other special considerations.

#### What shouldn't be done

Never keep anything in the ice storage bin other than ice: objects like wine and beer bottles are not only unsanitary, but the labels may slip off and plug up the drain.

#### What should be kept clean

There are 5 things to keep clean:

1. The exterior
2. The interior
3. The condenser
4. Water distribution tube
5. The ice-making system

### ⚠ WARNING

Before proceeding with cleaning and maintenance operations, make sure the power line of the unit is disconnected and the water line is shut off. (EXCEPTION: Cleaning of ice-making system)

#### *Exterior Cleaning*

The door and cabinet may be cleaned with a mild detergent and warm water solution such as 1 oz of dishwashing liquid mixed with 2 gallons of warm water. Do not use solvent-based or abrasive cleaners. Use a soft sponge and rinse with clean water. Wipe with a soft clean towel to prevent water spotting. If the door panel is stainless steel, it can discolor when exposed to chlorine gas and moisture. Clean stainless steel with a cloth dampened with a mild detergent and warm water solution. Never use an abrasive cleaning agent.

## *Interior Cleaning*

The ice storage bin should be sanitized occasionally. Clean the water trough before the ice maker is used for the first time and reused after stopping for an extended period of time. It is usually convenient to sanitize the trough after the ice making system has been cleaned and the ice storage bin is empty.

1. Disconnect power to the unit.
2. Open the door and take out the removable storage bin. With a clean cloth, wipe down the interior of the unit with a sanitizing solution made of 1 ounce of household bleach and 2 gallons of hot water (95° to 115°F).
3. Rinse thoroughly with clear water.
4. Screw off the lower drainage nut located on the front of the unit to drain water completely into a bucket.
5. Put the cleaned and empty ice storage bin back inside the unit.
6. Reconnect power to the unit.

The ice scoop should be washed regularly. Wash it just like any other food container.

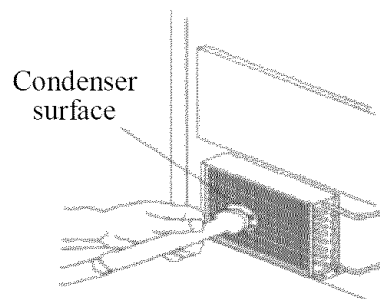
### **⚠ WARNING**

DO NOT use solvent-based cleaning agents or abrasives on the interior. These cleaners may transmit taste to the ice cubes, or damage or discolor the interior.

## *Condenser Cleaning*

A dirty or clogged condenser prevents proper airflow, reduces ice making capacity, and causes higher than recommended operating temperatures that may lead to component failure. Have the condenser cleaned at least once every six months.

1. Unplug the ice maker or disconnect power.
2. Remove the 2 screws at the bottom of the front cover and gently pull it off.
3. Locate the condenser filter. This can be lifted out and cleaned with a brush or flowing water.
4. Remove dirt and lint from the condenser fins and the unit compartment with the brush attachment of a vacuum cleaner.



5. Put back the filter and reassemble the front cover.
6. Plug in the ice maker or reconnect power.

**⚠ WARNING**

DO NOT touch condenser fins. They are sharp and can be damaged easily.

### ***Water Distribution Tube Cleaning***

When you find that the ice cubes are incompletely formed or the output of ice cubes is low, the water distribution tube may be blocked. Set the ICE/OFF/WASH switch to OFF, rotate the water distribution tube, and locate the holes in the distribution tube. Using a toothpick or similar tool, dredge the holes, then rotate the water distribution tube back to its original position. If the tube is badly blocked, clean it as follows:

1. Shut off the water supply.
2. Disconnect the water hose from the distribution tube.
3. Lift the right side, then remove the distribution tube.
4. With a brush, clean the tube with a dilute solution of warm water and a mild detergent such as dishwashing liquid. After removing the dirt and lint from the surface, rinse the tube with clean water.
5. Replace the distribution tube.
6. Reconnect the water supply.

### ***Ice-Making System Cleaning***

Minerals that are removed from water during the freezing cycle will eventually form a hard, scaly deposit in the water system. Cleaning the system regularly helps remove the mineral scale buildup. How often you need to clean the system depends upon how hard your water is or how effective your filtration may be. With hard water of 15 to 20 grains/gal. (4 to 5 grains/liter), you may need to clean the system as often as every 6 months.

1. Make sure that all the ice is off the evaporator. If ice is being made, wait until the cycle is completed, then turn the machine OFF at the ICE/OFF/WASH switch.
2. Remove all ice from the storage bin.

3. Keep the ice maker connected to the water supply. Pour 8 oz. of Nickel-Safe Ice Maker Cleaner Solution into the water trough. After about 5 minutes, initiate the wash cycle at the ICE/OFF/WASH switch by switching it to the WASH position. The machine will run the Automatic Clean mode.
4. Allow 30 minutes for proper cleaning. After cleaning, turn the machine OFF at the ICE/OFF/WASH selector switch. Drain off the waste water to a container by means of the drain pipe at the front of the water trough.

NOTE: Don't drain off the waste water to the inside of the cabinet.

5. Repeat steps 3 and 4 (without Ice Maker Cleaning Solution) to rinse the ice making system 3 times.

NOTE: The use of the Ice Maker Cleaner Solution in the water trough during the rinse is not needed.

## **WARNING**

The ice machine cleaner contains acids.

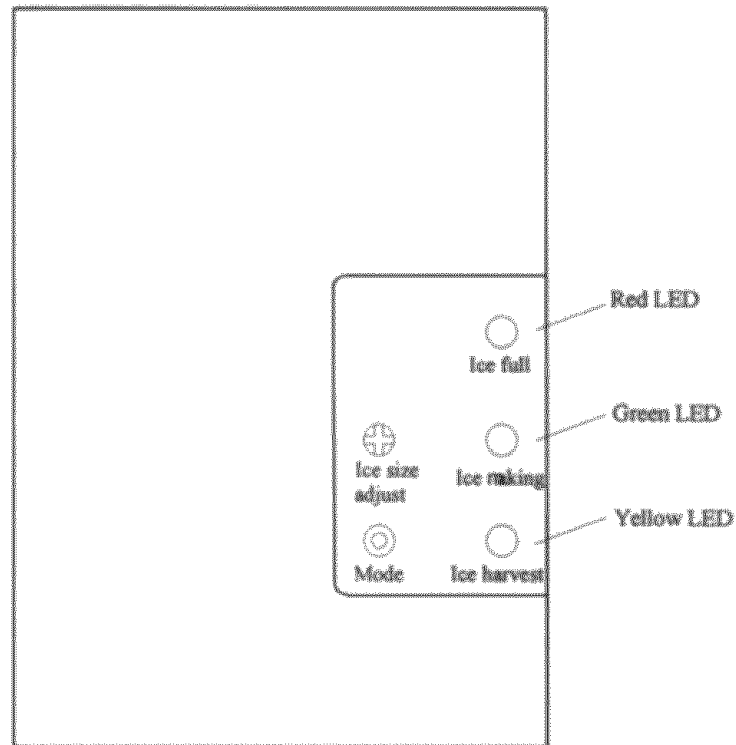
DO NOT use or mix with any other solvent-based cleaner products.

Use rubber gloves to protect hands. Carefully read the material safety instructions on the container of the ice machine cleaner.

DISCARD the first batch of ice produced after cleaning.

6. Prepare a sanitizing solution made of 1 ounce of household bleach and 2 gallons of hot water (95° to 115° F). Wipe the entire bin inside and out, covering every wall surface.
7. Fill a spray bottle with the sanitizing solution and spray all corners and edges, making sure to cover all surfaces with the solution.
8. Allow the solution to be in contact for at least 3 minutes, then dry.
9. Repeat step 5 to rinse the ice making system one more time.
10. Put the ICE/OFF/WASH switch in the ICE position. The machine will return to the regular ice making mode. Discard the first batch of ice.

## ***Control Panel (rear of unit)***



### **Descriptions of LEDs and buttons:**

- 1. Ice Full (Red) LED:** Ice Full indicator light.  
When this LED is lit, the ice storage bin is full of ice or there is something obstructing the ice-full probe. The unit will stop working. When ice cubes are taken out of the ice storage bin, clearing the ice-full probe, the red LED will keep flashing for 3 minutes. Then the unit will restart and return to the ice making mode.
- 2. Ice Making (Green) LED:** Ice Making indicator light.  
When this LED is lit, the unit is working in the Ice Making mode controlled by a temperature probe on the evaporator. When the green LED is flashing, the unit is working in the Ice Making mode controlled by a fixed timer.
- 3. Ice Harvest (Yellow) LED:** Ice Harvest indicator light.  
When this LED is lit, the unit is working in the Ice Harvest mode controlled by the ice-full probe.

When the green and yellow LEDs are lit, the unit is working in the cold preservation stage.



4. **Mode button:** Mainly for service. When this button is pressed, unit can change from Ice Making mode to Ice Harvest mode, or from Ice Harvest mode to Ice Making mode. You can judge the mode from the status of the green and yellow LEDs.
5. **Ice size adjust:** Turn the screw clockwise, and the size of individual ice cubes will be larger in the next cycle; the cycle time will be longer. Turn the knob counter-clockwise, and the ice size will be smaller in the next cycle.

*IMPORTANT:*

- *It is not recommended that the ice size be adjusted unnecessarily since this could damage the machine's controls.*
- *Avoid letting water contact the control box.*

## ***Major Functions***

1. Completely automatic operation.
2. When the ice storage bin is full, the machine stops making ice and proceeds to the cold preservation stage automatically. It starts making ice again once the cubes are removed.
3. When the drainage tray on top of the compressor is full of water, the machine stops working and alarms at regular intervals. Only when you drain off water by unscrewing the lower drainage nut does the machine resume working.
4. The different colors of the LED display indicate various work modes.
5. The fan motor responds to the ambient temperature. If it is cold, the motor will stop working to keep the cooling system in good working condition.
6. Ice cube size is adjustable.
7. A sensitive probe and accurate timer enhance the performance of the ice maker.
8. Built-in compressor protection system.

# Troubleshooting

## *Before Calling for Service*

If the unit appears to be malfunctioning, read through the OPERATION section of this manual first. If the problem persists, check the Troubleshooting Guide below and on the following page. The problem could be something very simple that can be solved without a service call.

## Troubleshooting Guide

<b>Problem</b>	<b>Possible Cause</b>	<b>Probable Correction</b>
The machine doesn't operate.	The ice maker is unplugged.	Plug the ice maker in.
	The fuse is blown.	Replace fuse. If it happens again, call for service to check for a short circuit in the ice maker.
	The ice maker power switch is OFF.	Turn the ice maker power switch to ICE (ON).
	The ice storage bin is full of ice.	Remove some ice; make sure the ice-full probe is free of ice.
	The drainage tray on top of the compressor is full.	Drain off water by unscrewing lower drainage nut.
The water doesn't feed in after the ice maker starts.	The water supply tap is turned off.	Turn on the water supply tap.
	The water supply line is not connected properly.	Reconnect the water supply line.
Machine makes ice, but ice storage bin does not fill up with ice.	Condenser may be dirty.	Clean the condenser.
	The air flow to the ice maker may be obstructed.	Check the installation.
	The ambient temperature and water temperature are high, or machine is near some heat source.	Check the installation.
Water is leaking from the unit.	A few water drops fall to the floor when you open the door to take out ice from the ice storage bin.	Normal condensation on the door or some water together with ice. Take care when you take out ice.
	Water supply connection leaking.	Tighten fitting. See "Connecting the Water Line".

<b>Problem</b>	<b>Possible Cause</b>	<b>Probable Correction</b>
Cubes are partially formed or are white at the bottom.	Not enough water in the water trough.	Check if the water supply pressure is below 15 psig.
		Check water supply; filter may be restricted.
		Check for a water leak at the water trough.
Noise during operation	The feet are not leveled and locked.	Level and lock the feet. See “Leveling the Ice Maker”.
	Certain sounds are normal.	See “Normal Sounds”.
The ice maker stops suddenly while making ice.	The electricity is off.	Reconnect the power supply line.
	The room temperature is out of the stated range.	Cut off the electricity; let the ice maker stop working until the temperature returns within the stated range.
	The ice storage bin is full of ice.	Remove some ice cubes; make sure the ice-full probe is free of ice.
	The drainage tray on top of the compressor is full.	Drain off water by unscrewing lower drainage nut.
The body of the ice maker is electrified.	The grounding line isn’t in the socket.	Use a socket meeting the required electrical standard.
Scaling occurs frequently inside the machine.	The hardness of the water is too high.	Use a water-softening device installed in front of the water inlet.
The ice maker makes an alarm sound regularly.	The drainage tray on top of the compressor is full.	Drain off water by unscrewing lower drainage nut.

## Limited Warranty

Franklin Industries, LLC, warrants this product to be free from defects in materials and workmanship for a period of one year from the date of the original purchase or delivery. Any parts that are determined to be defective will be replaced or repaired, at its sole discretion, by Franklin Industries, LLC, at no charge as long as it has been determined that the unit was operated in accordance with the instructions attached or furnished with the product. If the unit proves to be defective, your first course of action should be to follow the retailer's return policy.

This warranty covers units only in the continental United States and does not cover the following:

- Damage from improper voltage or installation
- Damage in shipping
- Defects other than manufacturing defects
- Any installation expenses that may be incurred
- Labor or repairs after the initial 12-month period
- Damage from abuse, misuse, accident, alteration or lack of proper care or maintenance
- Improper or incorrectly performed maintenance or repairs
- Use of parts not recommended by Franklin Industries, LLC
- Damage due to acts of God.

This limited warranty is given in lieu of all other warranties expressed or implied. This warranty does not cover incidental or consequential damages. Some States do not allow the exclusion or limitation of incidental or consequential damages, so the above limitation or exclusion may not apply to you.

This warranty provides you with specific legal rights and you may have other rights which vary from State to State. Consult the written materials accompanying your product for the safe and proper operation.

This warranty may not be assigned.

For warranty service, contact:

**Franklin Industries, LLC**  
4100 First Avenue  
Brooklyn, NY 11232-3321  
Tel.: 1-888-424-8278  
E-mail: [customerservice@franklinchef.com](mailto:customerservice@franklinchef.com)

When service is required, have on hand the Model and Serial numbers found on the rating label on the back of the unit, as well as proof of purchase such as a sales or gift receipt.

# ÍNDICE

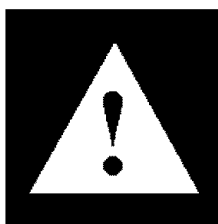
	<b>Página</b>
SÍMBOLOS DE SEGURIDAD . . . . .	28
ADVERTENCIAS DE SEGURIDAD . . . . .	29 - 31
INFORMACIÓN TÉCNICA . . . . .	32
INTRODUCCIÓN . . . . .	33
UBICACIÓN DE COMPONENTES DE LA MÁQUINA . . . . .	33 - 34
INSTALACIÓN DE LA MÁQUINA . . . . .	34 - 40a
Desembalaje . . . . .	34 - 35
Requisitos del lugar de instalación . . . . .	35 - 36
Requisitos de alimentación eléctrica . . . . .	36 - 37
Nivelación de la máquina . . . . .	37 - 38
Cambio del lado de apertura de la puerta . . . . .	38
Conexiones de entrada de agua . . . . .	39 - 40
Tipos de instalación . . . . .	40 - 40a
USO DE LA MÁQUINA . . . . .	41 - 45
Lista de control final antes de la puesta en servicio . . . . .	41
Método de uso . . . . .	42
Ciclos de funcionamiento de la máquina . . . . .	43 - 44
Sonidos normales . . . . .	44
Preparación de la máquina para almacenamiento prolongado . . . . .	44 - 45
LIMPIEZA Y MANTENIMIENTO . . . . .	45 - 50
Limpieza externa . . . . .	46
Limpieza interna . . . . .	46 - 47
Limpieza del condensador . . . . .	47
Limpieza del tubo de distribución d agua . . . . .	47 - 48
Limpieza del sistema para hacer hielo . . . . .	48 - 49
Tablero de control . . . . .	49 - 50
FUNCIONES PRINCIPALES . . . . .	50
DIAGNÓSTICO DE FALLAS . . . . .	51 - 52
GARANTÍA LIMITADA . . . . .	53

**Nos reservamos el derecho de efectuar modificaciones de diseño y de especificaciones técnicas, sin obligación de aviso previo.**

# SÍMBOLOS DE SEGURIDAD

*Su seguridad y la seguridad de los demás es de suma importancia.*

Tanto en este manual como en la máquina, encontrará varios mensajes de importantes de seguridad. Lea y observe siempre los mensajes de seguridad.



Este es el símbolo de Alerta de Seguridad. Advierte sobre posibles riesgos que pueden causar accidentes lesivos e incluso fatales, tanto para usted como para los demás. Los mensajes se verán a continuación del símbolo de Alerta de Seguridad, junto con una de las siguientes palabras: "PELIGRO", "ADVERTENCIA" o "PRECAUCIÓN".



PELIGRO indica que el incumplimiento de la medida de seguridad podría causar lesiones personales graves e incluso la muerte.



ADVERTENCIA indica que el incumplimiento de la medida de seguridad podría causar daños al producto, lesiones personales graves e incluso la muerte.



PRECAUCIÓN indica que el incumplimiento de la medida de seguridad podría causar lesiones personales menores o moderadas, o daños materiales o al equipo.

Los mensajes de seguridad especificarán cuál es el peligro potencial, cómo reducir las posibilidades de accidentes y las consecuencias del incumplimiento de las instrucciones.

## **INSTRUCCIONES IMPORTANTES DE SEGURIDAD**

**ADVERTENCIA:** Para reducir el riesgo de incendio, electrocución o lesiones accidentales al usar la máquina para hacer hielo, observar las siguientes precauciones:

- *Enchufar la máquina a un tomacorriente de 3 patas con descarga a tierra.*
- *No eliminar la pata de conexión a tierra.*
- *No usar un adaptador de 3 a 2 patas.*
- *No usar un cordón prolongador para enchufar la máquina.*
- *Desconectar la alimentación eléctrica antes de limpiar la máquina.*
- *Desconectar la alimentación eléctrica antes de hacer mantenimiento.*
- *Colocar todos los paneles y tapas antes de poner la máquina en servicio.*
- *Mover e instalar la máquina al menos entre dos personas.*

**CONSERVAR ESTAS INSTRUCCIONES**

# ADVERTENCIAS DE SEGURIDAD



Leer atentamente este manual, ya que antes de poner en servicio la máquina para hacer hielo, es necesario ubicarla e instalarla tal como aquí se explica. Franklin Chef™ recomiendan fuertemente que un mecánico profesional instale su máquina nueva. La garantía se puede afectar o anular por una instalación inexacta. Para disminuir el riesgo de incendio, electrocución o lesiones personales accidentales durante el uso de la máquina, es importante tomar ciertas precauciones elementales, tal como las siguientes:

## PELIGRO

- Enchufar la máquina a un tomacorriente para enchufe de tres patas, con descarga a tierra. No eliminar la pata de descarga a tierra, no usar un adaptador de 3 a 2 patas, ni usar un cordón prolongador.
- Es recomendable alimentar eléctricamente la máquina con un circuito exclusivamente dedicado a la misma. No usar un tomacorriente al que se pueda cortar la alimentación desde una llave de luz u otro interruptor común.
- No conectar ni desconectar el enchufe con las manos mojadas.
- Nunca desenchufe la máquina estirando en el cordón eléctrico. Siempre tenga el tapón firmemente y tire directamente fuera del tomacorriente.
- No limpiar ninguna de las partes de la máquina con líquidos inflamables. No guardar ni usar gasolina ni otros líquidos o vapores inflamables cerca de esta máquina (ni de otros artefactos eléctricos). Los vapores de estos líquidos podrían representar un riesgo de incendio o explosión.
- Antes de iniciar tareas de limpieza y/o mantenimiento, se debe cortar la alimentación eléctrica y cerrar el paso de suministro de agua. (EXCEPCIÓN: Limpieza de los sistemas para hacer hielo y de agua - vea las páginas 47 - 49)
- Volver a colocar todos los paneles y tapas antes de poner la máquina en servicio.
- No permitir que los niños usen, jueguen ni entren a la máquina para hacer hielo.
- No toque el evaporador con la mano cuando la máquina opera.
- Desenchufar la máquina o cortar la alimentación eléctrica del circuito antes de efectuar tareas de limpieza o mantenimiento. Si no lo hace, puede dar por resultado la electrocución o la muerte.
- No efectuar reparaciones por cuenta propia ni cambio de partes de la máquina para hacer hielo, a menos que así sea recomendado en este manual. Para los demás trabajos de reparación y mantenimiento, solicitar los servicios de un técnico especializado.

## **ADVERTENCIA**

- Mover e instalar la máquina entre dos personas como mínimo. Si lo hace una sola persona, hay riesgo de que se lesione por el esfuerzo excesivo.
- Para que la máquina tenga ventilación adecuada, no debe haber ninguna obstrucción en el frente de la misma. Elegir un lugar bien ventilado para instalarla, con temperaturas superiores a 50° F (10° C) e inferiores a 100° F (38° C). Esta máquina DEBE instalarse en un lugar protegido contra el viento, la lluvia y el goteo de agua.
- No instalar la máquina para hacer hielo cerca de hornos, parrillas ni otros elementos que generen calor excesivo.
- Las conexiones eléctricas y de agua de la máquina para hacer hielo, deben cumplir con todas las reglamentaciones vigentes que correspondan a nivel municipal y estatal. La máquina se debe conectar a un tomacorriente de 115 Voltios de corriente alterna, 60 Hz, 15 Amperes de capacidad, con descarga a tierra, instalado de acuerdo con el Código Eléctrico Nacional (National Electrical Code) y los reglamentos municipales.
- Asegurarse de que el cordón eléctrico no quede atrapado, torsionado ni presionado entre la máquina y otro objeto.
- El fusible o interruptor termomagnético de alimentación del circuito debe ser de 15 amperes de capacidad.
- Para que la máquina funcione correctamente, es importante que esté bien nivelada. Podría ser necesario hacer varios ajustes de la posición hasta que quede correctamente nivelada.
- La instalación de plomería debe cumplir con los reglamentos municipales vigentes que correspondan.
- Tomar precauciones para no aplastar ni dañar las tuberías durante la instalación.
- Al terminar las conexiones, verificar que no hayan pérdidas en las tuberías.
- Si bien la máquina ha sido probada en fábrica, puede pasar mucho tiempo almacenada y en tránsito. Por ello, se debe desechar la primera partida de cubos de hielo.
- Quite el material de embalaje y limpie la máquina antes de usar.
- Abra la canilla de suministro de agua antes de encender la máquina. Nunca corte el suministro de agua cuando funciona la máquina.
- Aparte de tomar hielo de la unidad, mantiene cerrada la puerta para reducir que el hielo derrite y para promover la formación apropiada de hielo.
- Cuando la máquina permanece sin usar durante un período prolongado, es necesario limpiarla bien antes ponerla nuevamente en servicio. Siga atentamente las instrucciones suministradas para la limpieza y/o el uso de soluciones desinfectantes. Después de limpiar la máquina, no debe quedar absolutamente ningún residuo de solución de limpieza en su interior.



- NO tocar las aletas del condensador. Las aletas del condensador son filosas y además se pueden dañar con facilidad.
- NO usar productos de limpieza abrasivos ni con solventes en el interior de la máquina. Estos productos de limpieza pueden impregnar de olor los cubos de hielo y descolorar o dañar el interior de la unidad.
- El producto de limpieza para la máquina contiene ácidos. NO usarlo ni mezclarlo con ningún otro producto de limpieza que contenga solvente. Usar guantes de goma para protegerse las manos. Leer atentamente las instrucciones de seguridad para el manejo del material, que se encuentran en el envase del producto de limpieza de la máquina.
- No usar este artefacto para propósitos ajenos a su función original.

## **CONSERVAR ESTAS INSTRUCCIONES**

### **Conexión eléctrica**

No cortar ni quitar por ningún motivo la pata de descarga a tierra del enchufe del cordón. Por razones de seguridad personal, esta máquina debe tener circuito de descarga a tierra. El cordón eléctrico de esta máquina tiene 3 patas, una de las cuales es la descarga a tierra, y debe enchufarse a un tomacorriente de 3 patas con circuito de tierra, a fin de reducir al mínimo las posibilidades de electrocución accidental. Es conveniente hacer revisar por un electricista profesional el tomacorriente y el circuito del mismo para verificar que tengan descarga a tierra. Si el tomacorriente disponible para enchufar la máquina fuera uno de dos patas solamente, es responsabilidad del usuario cambiarlo por uno de tres patas con circuito de descarga a tierra. La máquina debe tener su tomacorriente individual, cuyo voltaje coincida con el especificado en la etiqueta o placa de datos de la misma. Esto no sólo es mejor para máquina, sino también para evitar sobrecargar los otros circuitos de la instalación, con el consiguiente riesgo de incendio por sobrecalentamiento de los cables. No desenchufar la máquina tirando del cordón. Tomar directamente el enchufe y tirar firmemente hacia afuera. Reparar o cambiar inmediatamente los cordones eléctricos quemados o dañados. No continuar usando un cordón eléctrico que esté agrietado o dañado en cualquier lugar. Tomar precauciones para no dañar el cordón eléctrico cuando se mueve la máquina para hacer hielo.

### **Cordón prolongador**

Por razones de seguridad, se recomienda enfáticamente no usar un cordón prolongador para enchufar esta máquina.

## Información técnica

<b>Modelo :</b>	FIM35
<b>Alimentación eléctrica :</b>	115VCA ~ 60Hz
<b>Consumo de potencia :</b>	13,2 kWh/45 kg de hielo
<b>Corriente nominal de hacer/cosechar hielo</b>	3,7A / 4,8A
<b>Refrigerante :</b>	R134a; 0,180 kg
<b>Presión del circuito de alta/de baja</b>	23,8 atm / 8,2 atm
<b>Ancho x profundidad x altura :</b>	371 mm x 599 mm x 851 mm*
<b>Pesa :</b>	41,6 kg
<b>Capacidad para almacenar hielo :</b>	11,4 kg máximo
<b>Capacidad para hacer hielo :</b>	20 kg de hielo por día**
<b>Forma del hielo :</b>	Cubo
<b>Tamaño del cubo :</b>	19 mm x 19 mm x 25 mm

Los datos técnicos y los parámetros funcionales mencionados anteriormente se deben usar como valores de referencia únicamente. Estos datos están sujetos a cambio.

\* La dimensión de la anchura se mide con los apoyos de estabilidad todavía bajo del gabinete.

\*\*La cantidad de hielo producida por día podría variar de acuerdo con la temperatura ambiente y la temperatura del agua.

# Introducción

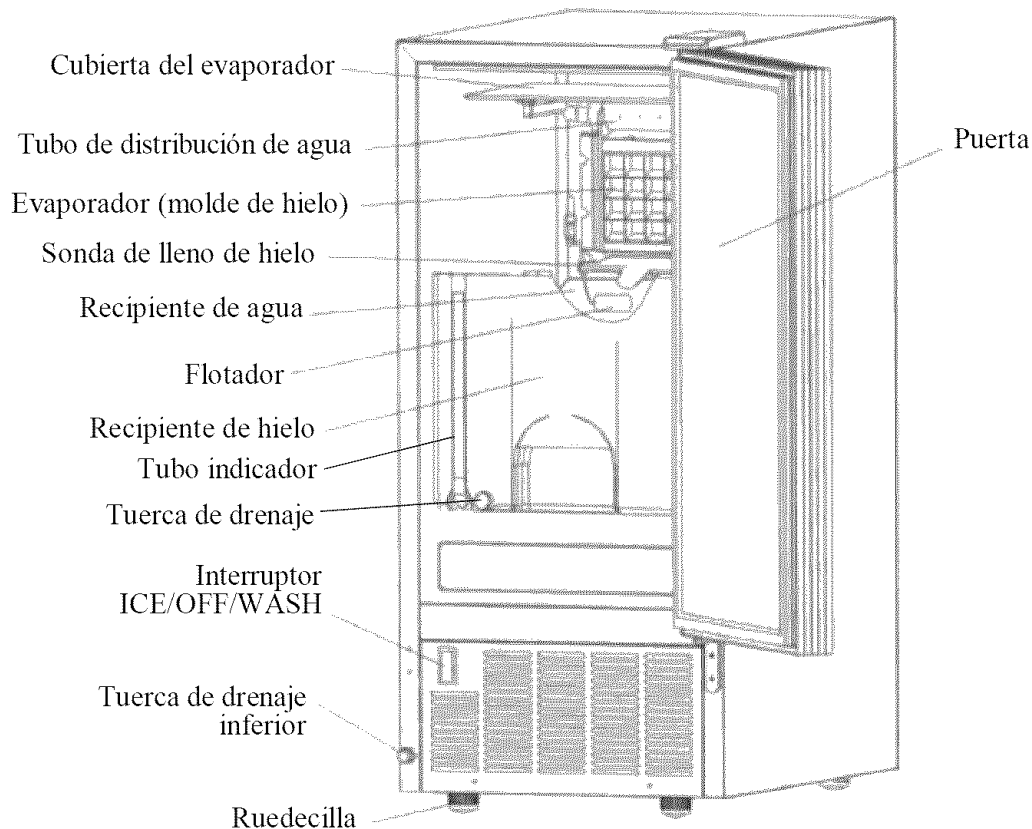
La máquina para hacer hielo FIM35 de Franklin Chef™ produce cubos de hielo de impecable dureza y transparencia, y es cómoda y práctica para uso en el hogar como para huéspedes de hoteles. Un recipiente de hielo con aislación térmica está integrado con la máquina.

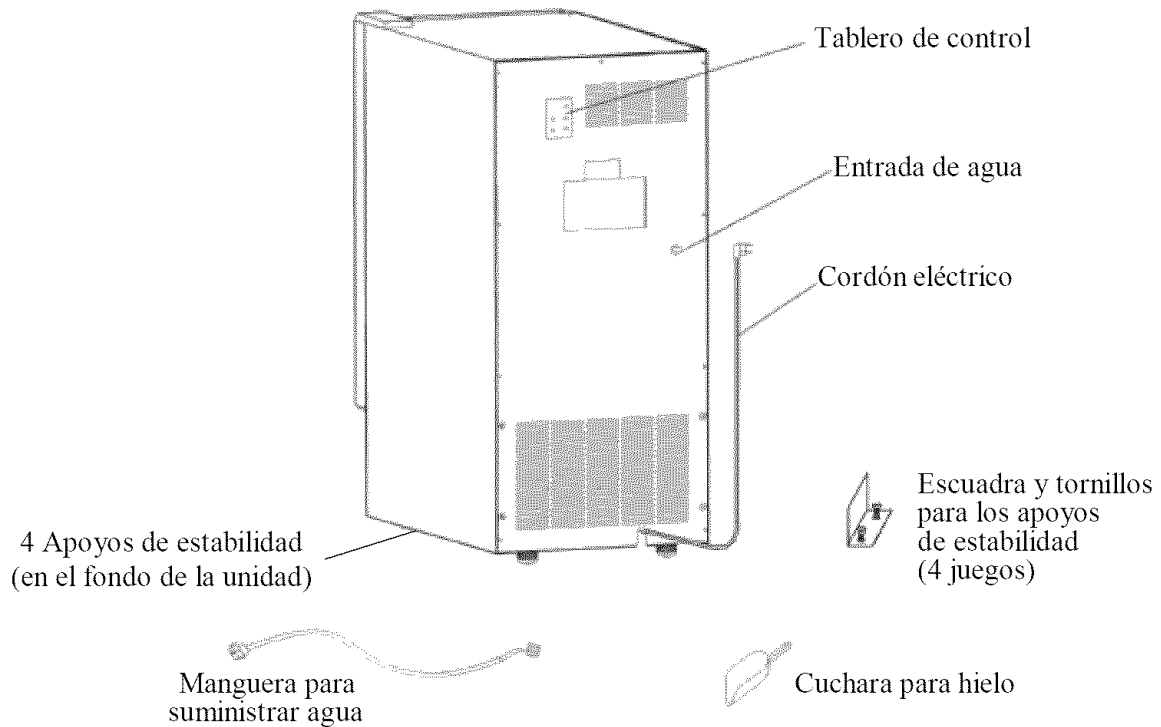
Este manual tiene información destinada a las personas que instalan, usan y reparan el modelo FIM35. Tiene datos e información importantes sobre seguridad y mantenimiento. Franklin Industries, LLC, recomienda guardar este manual a mano para consultarlo en caso de que sea necesario.

Cada máquina para hacer hielo de Franklin Industries, LLC, fue diseñada y fabricada bajo las normas más exigentes de seguridad y tecnología. Cumple y supera las normas de seguridad UL563 y la norma de saneamiento NSF12.

Franklin Industries, LLC, no asume ninguna responsabilidad por los productos que hayan sido modificados de cualquier manera, incluyendo el cambio de partes y/o componentes por otras/otros que no sean específicamente aprobadas por Franklin Industries, LLC. Franklin Industries, LLC, se reserva el derecho de implementar en cualquier momento cambios de diseño y/o mejoras del producto. Las especificaciones técnicas y el diseño están sujetos a cambio sin obligación de aviso previo.

## Ubicación de componentes de la máquina





## Instalación de la máquina

### Desembalaje

#### **⚠ ADVERTENCIA**

#### **Peligro de peso excesivo**

**Mover e instalar la máquina entre dos personas como mínimo. Si lo hace una sola persona, hay riesgo de que se lesione por el esfuerzo excesivo.**

### Quitar los materiales de embalaje

*IMPORTANTE: No quitar las etiquetas fijas de instrucciones ni la etiqueta de datos de la máquina para hacer hielo.*

Quitar las cintas adhesivas y residuos de adhesivo antes de poner en servicio la máquina.

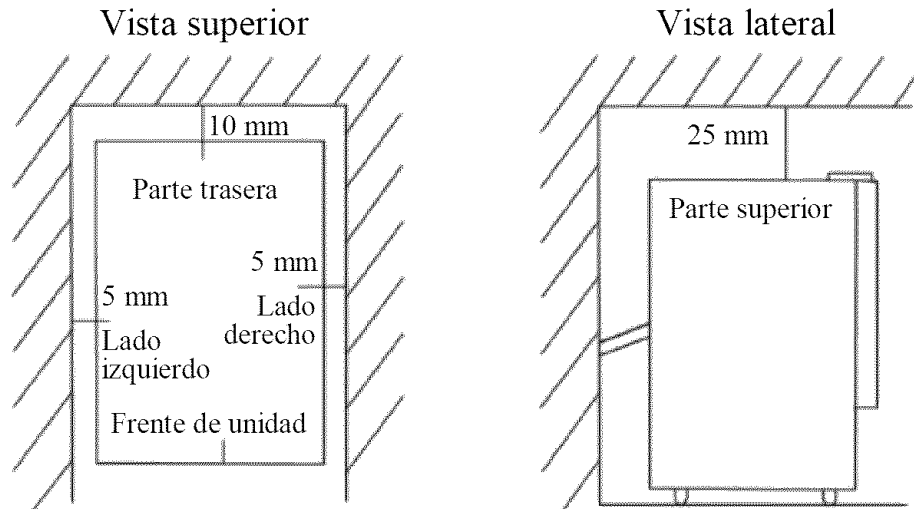
- Para ello, frotar enérgicamente con los dedos, en seco o con una solución de agua y detergente. Después limpiar con agua tibia y secar la superficie.
- No usar instrumentos filosos, alcohol, fluidos inflamables ni productos abrasivos de limpieza para quitar cinta adhesiva o residuos de adhesivo. Estos productos pueden dañar la superficie de la máquina.

## Limpieza antes de poner en servicio la máquina

Después de quitar todos los materiales de embalaje, limpiar el interior de la máquina. Ver las instrucciones de “Limpieza interior” en la sección de “Limpieza y mantenimiento”.

## Requisitos del lugar de instalación

Distancias de instalación:



- Esta máquina debe ser instalada por el personal calificado.
- Para que la máquina tenga ventilación adecuada, no debe haber ninguna obstrucción en el frente de la misma.
- Para que haya suficiente circulación de aire, dejar una distancia mínima de separación de 10 mm (2/5”) en la parte de atrás, 5 mm (1/5”) en los lados, y 25 mm (1”) en el parte superior. Debe quedar suficiente espacio para poder desplazar la máquina hacia adelante cuando fuera necesario hacer tareas de mantenimiento.
- Elegir un lugar bien ventilado para instalarla, con temperaturas superiores a 50° F (10° C) e inferiores a 100° F (38° C). Esta máquina DEBE instalarse en un lugar protegido contra el viento, la lluvia y el goteo de agua.
- No instalar la máquina para hacer hielo cerca de hornos, parrillas ni otros elementos que generen calor excesivo.
- El suministro de agua fría debe llegar por medio de un tubo en cobre suave de 6,35 mm (1/4”), con válvula de paso.
- La máquina debe recibir suministro continuo de agua, a una presión mínima de 15 psig y una presión estática nada menos que 80 psig. La temperatura del agua que entra a la máquina debe ser entre 41° F (5° C) y 90° F (32° C) para que la máquina funcione en condiciones óptimas.

## **⚠ ADVERTENCIA**

La temperatura ambiente normal de servicio debe ser entre 50° F (10° C) y 100° F (38° C). La temperatura normal del agua debe ser entre 41° F (5° C) y 90° F (32° C). Si la máquina funciona por períodos prolongados fuera de estos valores de temperatura, se verá afectado su rendimiento.

- Normalmente es conveniente filtrar el agua que se suministra a la máquina. Un filtro adecuado para este tipo de servicio puede eliminar del agua olores, gusto y partículas suspendidas. El agua tratada por su dureza puede producir cubos de hielo blancos y porosos, que se pegan entre sí. No se recomienda el uso de agua desionizada.
- Las conexiones eléctricas y de agua y de la máquina para hacer hielo deben cumplir con todas las reglamentaciones vigentes que correspondan a nivel municipal y estatal.
- Instalar la unidad sobre una superficie firme y bien nivelada. Para que la máquina funcione correctamente, es importante que esté bien nivelada. Haciendo girar las patas, se puede regular la altura de la máquina. En la sección “Nivelación de la máquina” se pueden ver más detalles de este procedimiento.
- La máquina se debe conectar a un tomacorriente de 115 Voltios de corriente alterna, 60 Hz, 15 Amperes de capacidad, con descarga a tierra, instalado de acuerdo con el Código Eléctrico Nacional (National Electrical Code) y los reglamentos municipales.
- **IMPORTANTE:** Asegurarse de que el cordón eléctrico no quede atrapado, torsionado ni presionado entre la máquina y otro objeto.

### ***Requisitos de alimentación eléctrica***

## **⚠ PELIGRO ⚠**



### **Peligro de electrocución**

Enchufar la máquina a un tomacorriente de 3 patas con descarga a tierra.

No eliminar la pata de conexión a tierra del enchufe.

No usar un adaptador de 3 a 2 patas.

No usar un cordón prolongador para enchufar la máquina.

El incumplimiento de estas instrucciones podría causar incendio, electrocución o un accidente fatal.

Antes de trasladar la máquina a su lugar definitivo de instalación, verificar que la alimentación eléctrica sea la que corresponda.

La máquina se debe conectar a un tomacorriente de 115 Voltios de corriente alterna, 60 Hz, 15 Amperes de capacidad, con descarga a tierra, instalado de acuerdo con el Código Eléctrico Nacional (*National Electrical Code*) y los reglamentos municipales. La máquina siempre debe ser tapada en su propia salida eléctrica individual.

Es recomendable alimentar eléctricamente la máquina con un circuito exclusivamente dedicado a la misma. No usar un tomacorriente al que se pueda cortar la alimentación desde una llave de luz u otro interruptor común.

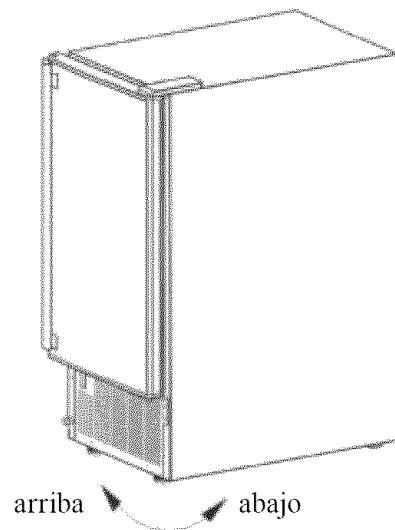
El fusible o interruptor termomagnético de alimentación del circuito debe ser de 15 amperes de capacidad.

### **Circuito de descarga a tierra**

Por razones de seguridad personal, esta máquina debe tener circuito de descarga a tierra. La máquina viene equipada con un cordón eléctrico con un enchufe de 3 patas, una de las cuales es la conexión al circuito de tierra. Para reducir al mínimo las posibilidades de electrocución, el enchufe se debe conectar a un tomacorriente de 3 patas con circuito de descarga a tierra instalado de acuerdo con el Código Eléctrico Nacional (*National Electrical Code*) y los reglamentos municipales que correspondan. Si el tomacorriente disponible no tuviera tercera pata de descarga a tierra, es responsabilidad del usuario cambiarlo y hacer instalar un circuito de descarga a tierra con un electricista profesional.

### ***Nivelación de la máquina***

Para que la máquina funcione correctamente, es importante que esté bien nivelada. De otro modo, el agua no puede fluir apropiadamente por el evaporador (molde de hielo). La producción del hielo será menos que normal, y la operación será ruidosa. La máquina se puede levantar o puede ser bajada girando las vainas plásticas alrededor de cada una de las cuatro patas/rodillos rodantes en el fondo de la máquina. Si usted encuentra que la superficie no es a nivel, gira las patas/rodillos hasta que la máquina llegue a ser a nivel. Podría ser necesario hacer varios ajustes de la posición hasta que quede correctamente nivelada. Recomendamos usar un nivel del carpintero para verificar la máquina.



1. Coloque un nivel del carpintero encima de la máquina para ver si la máquina está nivelada de la frente hasta la parte trasera y de un lado al otro.
2. Ajuste la altura de las ruedecillas de la siguiente manera: Gire a la derecha la ruedecilla para bajar ese lado de la máquina. Gire a la izquierda la ruedecilla para levantar ese lado.

La combinación de cuatro patas/ruedecillas permite que una sola persona pueda mover la máquina con facilidad. Es una práctica solución para mover la máquina sin mayor esfuerzo hacia adelante para limpiar y desinfectar la superficie inferior.

*IMPORTANTE:* Una vez que la máquina está instalada, ya sea en un gabinete o directamente sobre el piso, regular la altura de las patas para nivelarla y trabar los rodillos. Si el piso estuviera nivelado, simplemente girar las dos patas frontales hasta que toquen el piso.

## ***Cambio del lado de apertura de la puerta***

**Herramientas necesitadas:** destornillador plano, destornillador Phillips

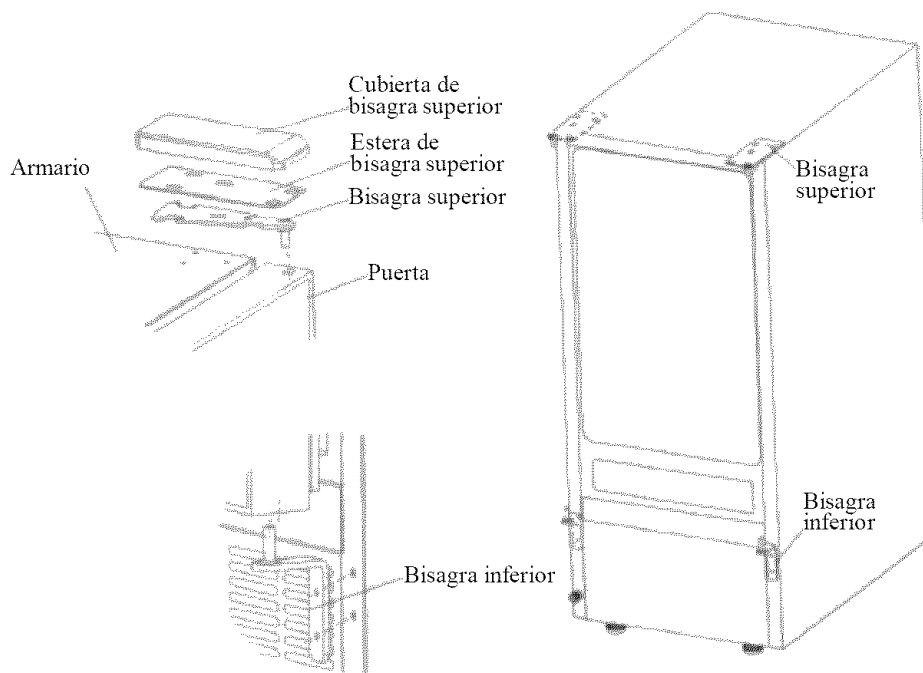
*IMPORTANTE:* Antes de comenzar, desenchufe la máquina o desconecta la potencia.

### **Para quitar la puerta de las bisagras:**

1. Quite la cubierta de la bisagra superior.
2. Con un destornillador Phillips, quita los tornillos, la estera de la bisagra superior y la bisagra superior. Mantenga las partes juntas y apártelos.
3. Levante la puerta lejos de la bisagra inferior y gírela al revés para que el asidero esté a la derecha. Aparte la puerta.

### **Para reemplazar la puerta en las bisagras:**

1. Con el destornillador plano, quita los tapón-botones de los hoyos de tornillo frente a las bisagras de puerta, superior e inferior. Apártelos.
2. Quite la bisagra inferior, colóquela en el lado opuesto en el fondo de la puerta.
3. Posicione la puerta sobre la bisagra inferior.
4. Alinee la puerta sobre la bisagra inferior y reemplace la bisagra superior y la estera de la bisagra superior.
5. Reemplace la cubierta de la bisagra superior.
6. Empuje los tapón-botones en los hoyos de tornillo originales. Vea la figura abajo.





## Conexiones de entrada de agua

La conexión de suministro de agua debe estar preparada en el lugar de instalación. La presión del suministro de agua debe ser una mínima de 15 psig con una presión estática nada menos que 80 psig. (La instalación se simplificará considerablemente si hubiera un tomacorriente directamente detrás de la máquina.)

### IMPORTANTE:

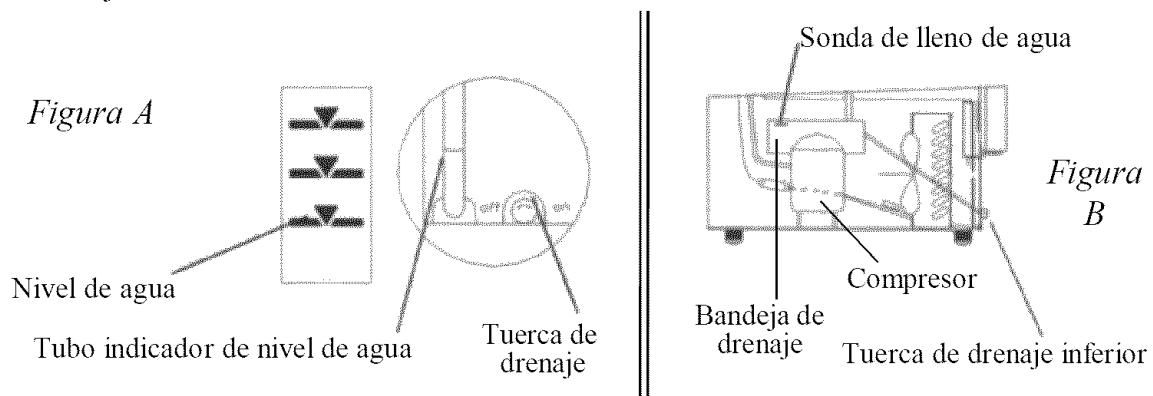
1. La instalación de plomería debe cumplir con los reglamentos municipales vigentes que correspondan. La instalación profesional se recomienda.
2. Tomar precauciones para no aplastar ni dañar las tuberías durante la instalación.
3. Al terminar las conexiones, verificar que no hayan pérdidas en las tuberías.

**Herramientas necesarias:** Llave de boca abierta de 1/2", destornillador Phillips

### Conexión de la línea de agua:

1. Cortar el paso de agua en la línea principal. Abrir la canilla más cercana para dejar salir toda el agua que haya quedado en la línea.
2. Buscar un tramo vertical de tubería de agua fría de 1/2" a 3/4", que se encuentre a menos de 9 pies de distancia (unos 2,7 metros) del lugar de instalación, ya que el tubo de entrada de agua suministrado con la máquina tiene una longitud aproximada de 9 pies.
3. Instalar una válvula de paso en la línea de suministro de agua. Si la línea de agua tiene un tubo de cobre, conectar un acople a compresión de 1/4" de diámetro externo y quitarle la tuerca.
4. Conectar las tuercas de la tubería de suministro de agua de la máquina a la línea de agua y la válvula de paso. Apriete firmemente a mano, entonces ajustar la conexión media vuelta con la llave.
5. Abrir el paso en la línea de agua y abrir la válvula de suministro de agua a la máquina. Verificar que las conexiones no tengan pérdidas. Si hubieran pérdidas, ajustar bien todas las conexiones (incluyendo las de la válvula).

**Este tipo de máquina para hacer hielo no necesita una línea de drenaje.** El recipiente de hielo reúne el agua cuando se derriten los cubos de hielo. El nivel del agua del recipiente se puede ver por el tubo de indicador de agua. Cuando es requerido, el agua se debe descargar por la tuerca de drenaje en la frente del recipiente de hielo. La tuerca se debe apretar después. (No afloje ni quite esta tuerca en otros tiempos.) Vea la Figura A más abajo.



### **IMPORTANTE:**

- *Desagüe regularmente el agua o se arriesga una tasa alta de derretir en el recipiente de hielo si el nivel de agua alcanza el hielo.*
- *La unidad desagua el agua de condensación a la bandeja de drenaje encima del compresor. (Vea la Figura B a la página 39.) Esta agua es evaporada lentamente por el calor engendrado por el compresor. Si la bandeja de drenaje encima del compresor llega a ser llena de agua, esta es discernida por la sonda de lleno de agua y la máquina se apaga automáticamente. Al mismo tiempo, la máquina arroja una señal de alarma, y los LEDs rojo, verde y amarillo en el tablero de control detrás de la unidad destellan juntos. Una vez que el agua excesiva se desagua por la tuerca de drenaje en el fondo de la máquina, la unidad empezará a funcionar otra vez automáticamente.*

### **Tipos de instalación**

Esta máquina para hacer hielo es apta para ser instalada de tres maneras: Libre (sola, no empotrada), en cerramiento (insertada, pero no empotrada) y empotrada. En cada caso, debe tener el espacio aéreo adecuado alrededor de la unidad para ventilación (vea las esquemas en la página 35).

#### **Instalación libre:**

La máquina se puede instalar independientemente en cualquier lugar adonde se tenga acceso a una línea de agua. Para la instalación, se deben seguir todas las instrucciones mencionadas anteriormente, en lo referido a:

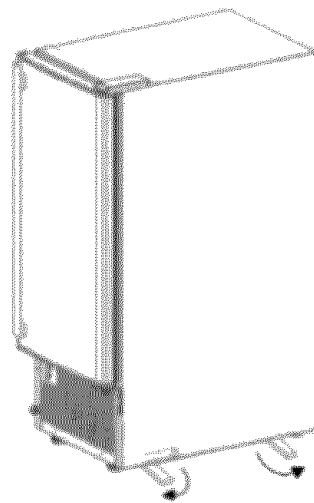
- a. Requisitos de la instalación eléctrica
- b. Conexión a línea de suministro de agua
- c. Nivelación de la máquina.

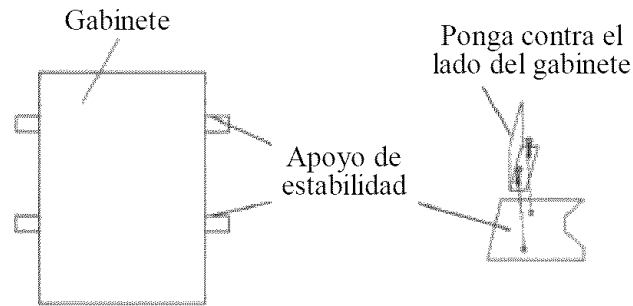
Hay cuatro apoyos de estabilidad incluidos con la unidad. Para la instalación libre, estos apoyos, que se localizan en el fondo de la máquina, se deben girar de manera que dos apoyos extiendan de cada lado de la unidad. (Vea la figura.) Los apoyos agregan la estabilidad a la unidad.

*Para fijar los apoyos de estabilidad en posición:*

Dentro de la unidad se encontrará un paquete que contiene 4 escuadras en forma de L y 8 tornillos. Una escuadra y dos tornillos se usarán para fijar cada apoyo de estabilidad y para impedir de girar fuera de posición. Ellas se deben conectar de la siguiente manera:

1. Una vez que los apoyos de estabilidad se han girado hacia afuera, ajuste el perno debajo de cada apoyo y ajuste también las ruedecillas debajo del gabinete hasta que la unidad sea fija y nivelada.





*Vista superior del gabinete*

2. Coloque una escuadra encima de uno de los apoyos para que el lado largo de la escuadra sea parejos contra el gabinete y los dos hoyos en la escuadra alinea con los hoyos correspondientes en el apoyo de estabilidad.
3. Use dos de los tornillos suministrados para abrochar seguramente la escuadra al apoyo.
4. Repita los pasos 2 y 3 con los otros tres apoyos de estabilidad.

#### ADVERTENCIAS:

- a) Verifique que todas las cuatro ruedecillas tocan el suelo. El peso de la unidad no debe descansar enteramente en los apoyos de estabilidad desde que esto los podría dañar.
- b) La máquina no debe tambalearse. Los apoyos de estabilidad agregan la estabilidad a la unidad y aminoran el peligro de volcarse en el caso que la unidad se empuja accidentalmente. Ellos ayudan también a asegurar el funcionamiento apropiado de la unidad.

#### **Instalación en cerramiento:**

En este caso, la máquina se puede instalar bajo un gabinete o bajo un mueble de cocina, manteniendo las distancias de separación que corresponden. El resto de la instalación debe cumplir los mismos requisitos mencionados para la instalación libre.

#### **Instalación empotrada:**

Si este método de instalación se escoge, será todavía necesario tener el espacio aéreo adecuado alrededor de la unidad para ventilación (vea las esquemas en la página 37). Cuando la máquina se instale empotrada, observar las siguientes instrucciones adicionales:

1. Colocar la máquina frente al lugar de instalación. Desmontar las patas y colocar la máquina sobre el piso o sobre una plataforma (depende de las características de instalación).
2. Dejar preparada la conexión de suministro de agua antes de instalar la máquina.
3. Abrir el paso en la línea de agua y abrir la válvula de suministro de agua a la máquina. Verificar que las conexiones no tengan pérdidas. Si hubieran pérdidas, ajustar bien todas las conexiones (incluyendo las de la válvula) y tuercas.
4. Si el tomacorriente estuviera detrás del empotramiento, enchufar la máquina en este momento.
5. Mover la máquina a la posición definitiva.
6. Aplicar un sellante compatible con esta aplicación para cerrar el espacio entre el gabinete y la unidad.

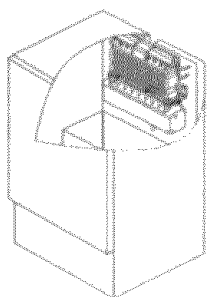
# Uso de la máquina

## *Lista de control final antes de la puesta en servicio*

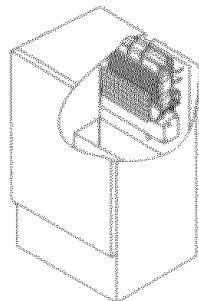
1. ¿Se han quitado todos los materiales de embalaje y cintas adhesivas del interior y exterior de la máquina?
2. ¿Se ha limpiado el recipiente de hielo?
3. ¿Se han seguido todos los pasos de instalación, incluyendo los concernientes a las conexiones de agua y electricidad?
4. ¿Se ha nivelado la máquina?
5. ¿La temperatura ambiente en el sitio de instalación de la máquina se mantiene entre 10° C (50° F) y 38° C (100° F) durante todo el año? Igualmente, ¿se mantiene la temperatura del agua corriente entre 5° C (41° F) y 32° C (90° F)?
6. ¿Se ha verificado que la presión del agua sea como mínimo 15 psig y con una presión estática nada más de 80 psig?
7. ¿Se ha dejado una separación mínima de 10 mm (2/5") en la parte de atrás de la máquina, 25 mm (1") en la parte superior y 5 mm (1/5") en los lados para que haya suficiente circulación de aire?
8. ¿Se ha medido el voltaje de alimentación para verificar que cumpla con las especificaciones de la máquina? ¿Se ha verificado que la máquina esté conectada a un circuito de descarga a tierra?
9. ¿Está enchufada la máquina?
10. ¿Se encuentra abierta la válvula de paso de suministro de agua?
11. ¿Se ha comprobado que no hayan pérdidas en las conexiones de las tuberías de entrada de agua?

## ***Método de uso***

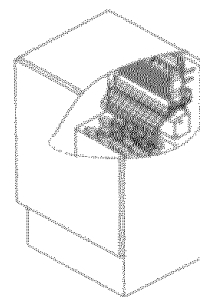
1. Prenda la canilla para agua, deje llenar el recipiente de agua, entonces encender la máquina con el interruptor ICE/OFF/WASH al frente de la unidad en la posición ICE. La máquina comenzará a funcionar automáticamente.
2. Después de 3 minutos, la máquina pasará automáticamente a la etapa de hacer hielo y se escuchará el sonido de agua corriente.



Etapa de hacer hielo



Etapa de cosechar hielo



Llena de hielo

3. Cuando la partida de hielo se ha formado completamente, los cubos serán cosechados automáticamente al recipiente de hielo.
4. Cuando el recipiente de hielo está repleto, la capa de cubos no caerá completamente y tendrá abierto el sensor de lleno de hielo. La máquina para hacer hielo y progresa automáticamente a la etapa de conservación del frío. Durante esta etapa, el compresor opera regularmente para mantener la temperatura más baja para reducir derretir del hielo.
5. La unidad comenzará a hacer hielo otra vez después que los cubos de hielo se quitan. En aquel momento, la sonda de lleno de hielo oscila hacia atrás a la posición operadora.
6. **NOTA: Hay una bandeja localizada adentro de la unidad encima del compresor para agarrar el agua de la condensación y de las salpicaduras. Cuando esta bandeja de drenaje llega de ser llena de agua, la máquina apaga y una alarma suena regularmente. La máquina enciende otra vez sólo cuando el agua está desaguada en destornillando la tuerca de drenaje inferior.**

### ***IMPORTANTE:***

- *Si bien la máquina ha sido probada y limpiada en fábrica, puede pasar mucho tiempo almacenada y en tránsito. Por ello, se debe desechar la primera partida de cubos de hielo.*
- *No cortar nunca el suministro de la línea de agua cuando la máquina está en funcionamiento.*
- *Nunca toque el evaporador cuando la máquina está en marcha.*
- *Aparte de tomar hielo de la unidad, mantiene cerrada la puerta para reducir derretir y para asegurar la formación apropiada del hielo.*
- *Desagüe regularmente el agua del recipiente de hielo.*
- *Desagüe el agua de la bandeja de drenaje encima del compresor en destornillando la tuerca de drenaje inferior cuando la unidad apaga y suena regularmente una alarma.*

## ***Ciclos de funcionamiento de la máquina***

Gire el interruptor ICE/OFF/WASH a la posición ICE. La máquina comenzará automáticamente la etapa de hacer hielo.

La máquina tiene dos ciclos distintos: congelamiento y recolección.

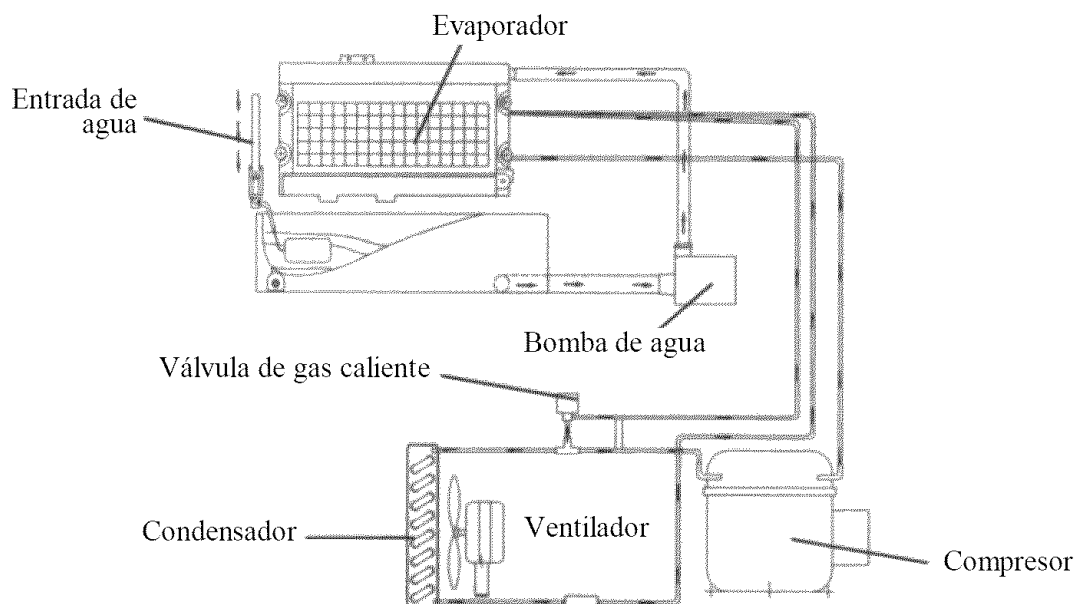
En el ciclo de congelamiento, el agua fluye a la superficie del evaporador. En el ciclo de recolección, se transfieren los cubos de hielo al recipiente y se vuelve a cargar agua en la máquina. Un ciclo completo puede durar 15 a 40 minutos, pero depende de la temperatura y de las condiciones operadoras.

**Congelamiento:** Durante el ciclo de congelamiento, el compresor bombea refrigerante, el ventilador hace circular aire y la bomba de agua hace circular agua. Cuando la partida de hielo se ha formado completamente, la máquina interrumpe el ciclo de congelamiento y comienza a recoger los cubos de hielo.

**Recolección:** Durante el ciclo de recolección de hielo, el compresor continúa funcionando, pero se detiene la bomba de agua. La válvula de gas caliente se abre, desviando el gas refrigerante caliente en el evaporador. El gas entibia el evaporador, causando que se deslicen los cubos, como una unidad, del evaporador y en el recipiente de hielo. El ciclo de congelamiento comenzará otra vez cuando se han recogido todos los cubos.

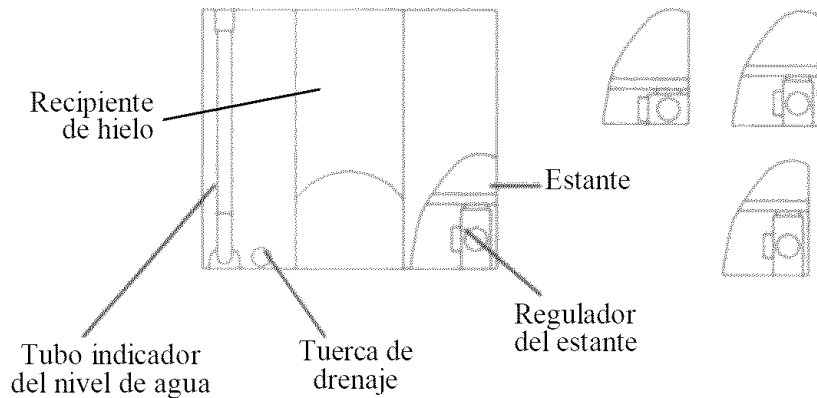
### **El circuito de agua en la máquina:**

La máquina inicia su ciclo con el recipiente de agua cargado. Cuando el agua fluye a la superficie del evaporador, se congela y se adhiere a los moldes de cubos, a excepción contiene impurezas minerales, la cual vuelve a caer en el recipiente. Durante el proceso de hacer hielo, el agua fresca entra continuamente en el recipiente de agua como el agua del recipiente congela continuamente en el evaporador.



### **Cómo ajustar la capacidad del recipiente de hielo:**

La capacidad del almacenamiento del hielo se puede aumentar o puede ser disminuida en moviendo el estante ajustable a colocaciones diferentes. Usted puede decidir la ubicación la más eficiente del estante según su uso de hielo.



### ***Sonidos normales***

La máquina para hacer hielo emite algunos sonidos que aunque parezcan extraños, son parte de su funcionamiento normal. Algunas de las superficies duras que rodean la máquina, tal como el piso, las paredes y los gabinetes, contribuyen a que estos sonidos se perciban aún más fuerte de lo que realmente son. A continuación se describen los sonidos a los que el usuario podría no estar acostumbrado y la causa de los mismos.

- Podría escucharse un ruido vibratorio, que es causado por la circulación de gas refrigerante o de agua. Si hay objetos colocados sobre la máquina, también podrían hacer ruido.
- El compresor de alto rendimiento podría hacer un ruido pulsante o agudo.
- El agua corriente puede hacer un sonido de chapoteo.
- También podría escucharse el sonido de la circulación de aire por el ventilador del condensador.
- Durante el ciclo de recolección, se escuchará el ruido de los cubos de hielo cayendo en el recipiente.

### ***Preparación de la máquina para almacenamiento prolongado***

Si la máquina no se usará por un tiempo largo o será trasladada a otro lugar, es necesario vaciar el circuito de agua.

1. Cerrar el paso de la línea principal de agua corriente.
2. Desconectar la tubería de suministro de agua de la entrada de agua.
3. Cortar la alimentación eléctrica principal del circuito adonde está enchufada la máquina.
4. Saque el recipiente de hielo para quitar el hielo y el agua. Séquelo.

5. Destornille la tuerca de drenaje inferior y desagüe completamente el agua y volver a colocar y ajustar la tuerca.
6. Quite el tubo de drenaje del recipiente de agua para desaguar toda el agua.
7. Abrir la puerta para facilitar la circulación de aire y evitar la formación de moho.
8. Dejar la línea de agua y el cordón eléctrico desconectados hasta que la máquina esté lista para entrar nuevamente en servicio.

**IMPORTANTE:**

- *No toque el tapón del poder cuando las manos se mojan.*
- *Nunca desenchufe la unidad estirando en el tapón.*

## Limpeza y mantenimiento

### PRECAUCIÓN

Si la máquina no se ha usado por un período largo, limpiarla bien antes de volver a ponerla en servicio. Seguir las instrucciones de uso proporcionadas con el producto de limpieza o la solución desinfectante. Asegurarse de que no queden residuos de la solución de limpieza en el interior de la máquina.

La limpieza y el mantenimiento periódico de la máquina prolongará su vida útil y permitirá que funcione siempre con máxima eficiencia. La frecuencia sugerida de mantenimiento se basa en condiciones normales de servicio, pero se puede aumentar si hay animales domésticos, si la unidad se usa en exteriores o hubieran otras condiciones especiales.

**Lo que no se debe hacer:**

No usar el recipiente de hielo para guardar otras cosas. Objetos tales como botellas de vino y de cerveza pueden traer suciedad y si la etiqueta se saliera, pueden taponar la salida de drenaje.

**Hay 5 cosas que se deben mantener siempre limpias:**

1. El exterior
2. El interior
3. El condensador
4. El tubo de distribución de agua
5. El sistema para hacer hielo.



## **ADVERTENCIA**

Antes de proceder con la limpieza y el mantenimiento, verificar que esté cortada la alimentación eléctrica a la unidad y que esté cerrado el paso de agua. (EXCEPCION: Limpieza del sistema para hacer hielo)

### ***Limpieza externa***

La puerta y el gabinete se pueden limpiar con una solución de detergente y agua tibia, preparada, por ejemplo, con una onza de detergente de cocina con 2 galones (7,5 litros) de agua tibia. No usar productos limpiadores con solvente ni abrasivos ni fuertes para limpiar la unidad. Utilizar una esponja suave y enjuagar con agua limpia. Secar con una toalla limpia de tela suave, para evitar que queden manchas de agua.

Si el panel de la puerta es en acero inoxidable, puede discolorarse si entra en contacto con gases de cloro; debe limpiarse minuciosamente. Limpiar el acero inoxidable con una solución de detergente y agua tibia, y enjuagarlo con un paño húmedo. No usar productos de limpieza abrasivos.

### ***Limpieza interna***

Limpiar de vez en cuando el recipiente de cubos de hielo. Además, el recipiente de agua se debe limpiar antes de poner la máquina en servicio por primera vez y antes de volver a usarla después de un período prolongado de inactividad. Normalmente es conveniente limpiar el recipiente de agua después se ha limpiado el sistema de hacer hielo y el recipiente de hielo está vacío.

1. Desconectar la alimentación eléctrica a la unidad.
2. Abrir la puerta y quitar el recipiente de hielo amovible. Con un paño limpio, limpiar el interior de la unidad con una solución desinfectante compuesta, por ejemplo, de una onza de blanqueador de uso doméstico o cloro puro, y 2 galones (7,6 litros) de agua caliente (95° a 115° F de temperatura).
3. Enjuagar bien con agua limpia.
4. Destornillar la tuerca de drenaje inferior colocada en el frente de la unidad para desaguar completamente el agua en un balde.
5. Volver a poner el recipiente de hielo, limpiado y vacío, dentro de la unidad.
6. Volver a conectar la alimentación eléctrica a la unidad.

Lavar la cuchara de hielo regularmente, de la misma forma que se lava cualquier otro utensilio de cocina.

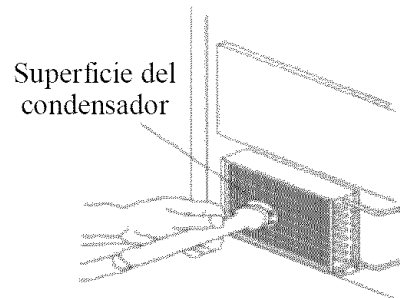
## **⚠ ADVERTENCIA**

NO usar productos de limpieza con solvente ni abrasivos en el interior de la máquina, ya que pueden impregnar de olor los cubos de hielo y dañar o descolorar la superficie interior.

### ***Limpieza del condensador***

Un condensador sucio o taponado reduce la circulación de aire y consecuentemente afecta la capacidad de hacer hielo y eleva la temperatura de la máquina, con el riesgo de causar la falla de componentes. Limpiar el condensador al menos una vez cada seis meses.

1. Desconectar la máquina o cortar la alimentación de la línea.
2. Quitar los 2 tornillos al fondo de la tapa frontal y quitarla suavemente.
3. Localizar el filtro del condensador. Esto se puede levantar afuera y limpiar con un cepillo o el agua corriente.
4. Con una aspiradora usando el aditamento de cepillo, limpiar la tierra y las pelusas de las aletas del condensador, y limpiar el compartimiento.
5. Volver a colocar el filtro y la tapa frontal.
6. Volver a enchufar la máquina o conectar la alimentación eléctrica de la línea.



## **⚠ ADVERTENCIA**

NO TOCAR las aletas del condensador, ya que son filosas y se pueden dañar con facilidad.

### ***Limpieza del tubo de distribución de agua***

Cuando los cubos de hielo se forman incompletamente o la salida de cubos es bajo, el tubo de distribución de agua se puede bloquear. Ponga el interruptor ICE/OFF/WASH en OFF, gire el tubo, y localice los hoyos en el tubo de distribución. En usando un palillo de dientes o una herramienta semejante, drague los hoyos, entonces gire el tubo de distribución de agua a su posición original. Si el tubo se bloquea mal, lo limpie de esta manera:

1. Corte el suministro de agua.
2. Desconecte la manguera de agua del tubo de distribución.

3. Levante el lado derecho, entonces quite el tubo de distribución.
4. Con un cepillo, limpie el tubo con una solución diluida de agua tibia y un detergente templado como el líquido para lavar platos. Después de quitar la suciedad y la pelusa de la superficie, enjuague el tubo con agua limpia.
5. Reemplace el tubo de distribución.
6. Conecte de nuevo el suministro de agua.

### ***Limpieza del sistema para hacer hielo***

Los minerales que se van extrayendo durante el ciclo de congelamiento, formarán con el tiempo incrustaciones duras en el circuito de agua. La limpieza regular del sistema ayuda a eliminar estas incrustaciones. La frecuencia con que se debe limpiar el sistema dependerá de la dureza del agua y cuán efectiva puede ser su filtración. Con una dureza del agua de 15 a 20 grains/galón (260 a 325 mg/litro), podría ser necesario limpiar el sistema una vez cada 6 meses.

1. Cerciórese que no hay hielo en el evaporador. Si el hielo se hace, espere hasta que el ciclo se completa, entonces apaga la máquina (OFF) en el interruptor ICE/OFF/WASH.
2. Quite todo el hielo del recipiente.
3. Mantener conectada la línea de agua. Cargar en el recipiente de agua 8 onzas de solución de limpieza *Nickel-Safe*. Esperar 5 minutos y poner el interruptor ICE/OFF/WASH en la posición WASH. Ahora la máquina funcionará en modo de limpieza automática.
4. Esperar unos 30 minutos para que se haga una buena limpieza. Apagar la máquina con el interruptor (OFF). Descargar el agua residual de la limpieza en un balde por medio del tubo del drenaje en el frente del recipiente de agua.
5. Enjuagar el sistema 3 veces, repitiendo los pasos 3 y 4 (sin la solución de limpieza).  
*NOTA: No es necesario usar solución de limpieza en el recipiente de agua para enjuagar el circuito del sistema.*

## **⚠ ADVERTENCIA**

El producto de limpieza para la máquina contiene ácidos.

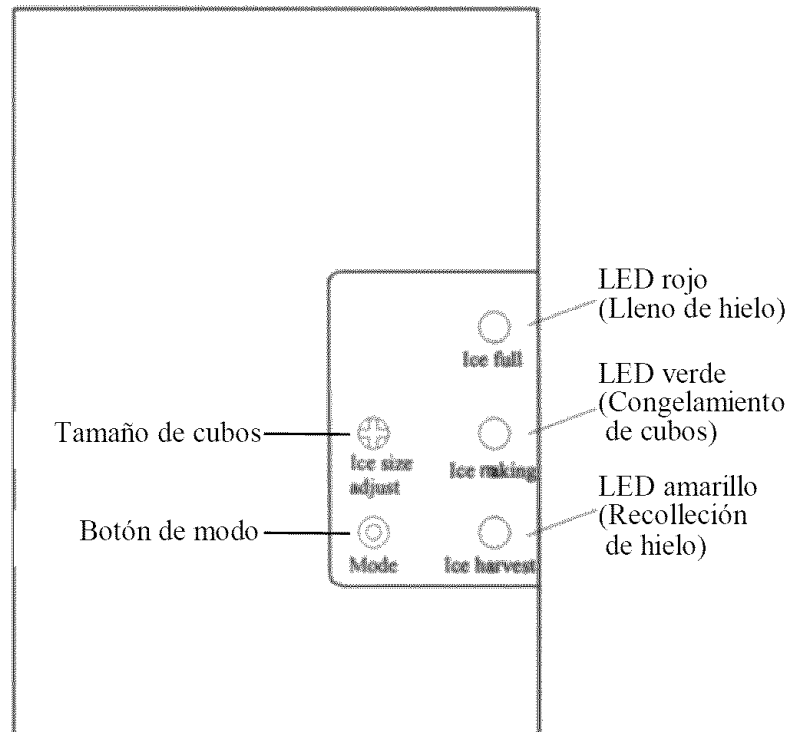
NO mezclarlo ni usarlo con otros productos limpiadores con solvente.

Usar guantes de goma para protegerse las manos. Leer atentamente las instrucciones de seguridad en la etiqueta del envase del producto de limpieza.

DESECHAR la primera partida de hielo producida después de la limpieza.

6. Preparar una solución desinfectante con una onza de blanqueador de uso doméstico o cloro puro, y dos galones de agua caliente (95° a 115°F). Limpiar minuciosamente el interior y el exterior del recipiente.
7. Cargar la solución desinfectante en un rociador y aplicarlo en todas las esquinas, los bordes y las superficies expuestas.
8. Dejar la solución en contacto con las superficies al menos durante 3 minutos antes de secarla.
9. Repetir el paso 5 para enjuagar una vez más el sistema para hacer hielo.
10. Poner el interruptor ICE/OFF/WASH en la posición ICE. Ahora la máquina iniciará el ciclo regular de congelamiento para hacer hielo. Descartar la primera partida de cubos de hielo.

### ***Tablero de control (detrás de la unidad)***



### **Descripción de luces (LED) y botones:**

1. **LED rojo:** Luz indicadora de recipiente de hielo lleno  
 Cuando se enciende esta luz, significa que se ha colmado el recipiente de hielo o que hay algo obstruyendo la sonda de lleno de hielo. La máquina se detendrá automáticamente. Cuando disminuye la cantidad de hielo en el recipiente, la sonda detecta el espacio libre y la luz roja queda encendida intermitentemente durante tres minutos. Luego la máquina arranca automáticamente para hacer más hielo.

2. **LED verde:** Luz indicadora de ciclo de congelamiento  
Cuando se enciende esta luz en forma continua, significa que la máquina está haciendo hielo, controlada por un sensor de temperatura en el evaporador. Cuando la luz se enciende en forma intermitente, significa que la máquina está haciendo hielo, controlada por un regulador eléctrico fijo.
3. **LED amarillo:** Luz indicadora de ciclo de recolección  
Cuando se enciende esta luz en forma continua, significa que la máquina está en el ciclo de recolección de hielo, controlada por la sonda de lleno de hielo.

Cuando la luz verde y la luz amarilla se encienden, significa que la máquina está en la etapa de conservación del frío.

4. **Botón de modo:** Se usa fundamentalmente para mantenimiento y servicio de la máquina. Al oprimir este botón, la máquina pasa de modo de congelación (hacer hielo) a modo de recolección de hielo, y viceversa. Se puede saber en qué modo está la máquina, según esté encendida la luz verde o la luz amarilla.
5. **Tamaño de los cubos:** Al girar este tornillo en sentido horario, los cubos de hielo serán más grandes en el próximo ciclo, y el ciclo de congelación será más largo. Así también, al girar el tornillo en sentido antihorario, el tamaño de los cubos disminuirá en el próximo ciclo.

*IMPORTANTE:*

- *No se recomienda que el tamaño de los cubos sea ajustado después de la instalación.*
- *Tenga cuidado cerca del tablero de control. No lo exponga a la humedad.*

## Funciones principales

1. Activación de funcionamiento totalmente automático.
2. Cuando el recipiente de hielo está lleno, la máquina se detiene la fabricación de hielo y progresa automáticamente a la etapa de conservación del frío. Vuelve a arrancar cuando el nivel de cubos haya descendido.
3. Cuando la bandeja de drenaje encima del compresor está repleta de agua, la máquina se apaga y alarma en intervalos regulares. La máquina se arranca sólo cuando el agua se drena en destornillando la tuerca de drenaje inferior.
4. El color de las luces indica el modo (ciclo) de funcionamiento en que se encuentra la máquina.
5. La velocidad del motor del ventilador es proporcional a la temperatura ambiente. Si la temperatura ambiente es baja, el motor se detendrá a fin de que el sistema de enfriamiento funcione eficientemente.
6. El tamaño de los cubos de hielo se puede cambiar.
7. Un sensor térmico de alta sensibilidad y un regulador eléctrico de precisión facilitan el funcionamiento de la máquina con máximo rendimiento.
8. Sistema de protección del compresor integrado al mismo.

# Diagnóstico de fallas

## *Antes de llamar al servicio de reparación*

Si la máquina manifestara síntomas de estar funcionando defectuosamente, leer atentamente la sección de USO DE LA MÁQUINA en este manual. Si el problema continuara, leer la GUÍA DE DIAGNÓSTICO DE FALLAS más abajo y en las páginas siguientes. A veces, el problema es simple y se puede resolver sin llamar a un servicio técnico.

## GUÍA DE DIAGNÓSTICO DE FALLAS

Problema	Posible causa	Solución probable
La máquina no funciona.	Está desenchufada.	Enchufar la máquina.
	El fusible está quemado.	Cambiar el fusible, pero si se vuelve a quemar, llamar a un servicio técnico para detectar el cortocircuito en la máquina.
	El interruptor de encendido de la máquina está en posición “OFF” (máquina apagada).	Encender la máquina llevando el interruptor a la posición “ON”.
	El recipiente de hielo está lleno.	Sacar algo de hielo y verificar que el sensor de nivel no tenga una obstrucción.
	La bandeja de drenaje encima del compresor está llena.	Desagüe el agua en destornillando la tuerca de drenaje inferior.
No hay entrada de agua después que la máquina arranca.	Está cerrada la válvula de paso en la línea de suministro.	Abrir el paso en la línea de agua.
	La conexión a la línea de agua no está bien realizada.	Volver a hacer la conexión a la línea de suministro de agua.
La máquina hace hielo, pero el recipiente no se llena.	El condensador puede estar sucio.	Limpiar el condensador.
	Podría estar obstruida la circulación de aire en la máquina.	Revisar la instalación.
	La temperatura ambiente y la temperatura del agua son muy elevadas, o la máquina está muy cerca de un objeto que libera mucho calor.	Revisar la instalación.

<b>Problema</b>	<b>Posible causa</b>	<b>Solución probable</b>
Hay pérdida de agua.	Podría haber caído agua al piso al abrir la puerta para sacar hielo del recipiente.	Condensación normal en la puerta o agua presente en el recipiente de hielo. Sacar hielo con cuidado.
	Pérdida en la conexión de agua.	Ajustar bien el acople de unión. Véase la sección “Conexión de la línea de agua.”
Los cubos de hielo no se terminan de formar o son de color blanco en la parte inferior.	No hay suficiente agua en el recipiente.	Verificar que la presión de agua no sea inferior a 15 psig.
		Revisar el filtro de agua: podría estar bloqueado.
		Comprobar que no exista una pérdida en el recipiente de agua.
La máquina hace ruido.	Las patas no están niveladas no trabadas.	Nivelar y trabar las patas en posición. Véase la sección “Nivelación de la máquina”.
	Ciertos ruidos son normales.	Véase la sección “Sonidos normales”.
La máquina se para repentinamente cuando está haciendo hielo.	Se interrumpió la alimentación eléctrica.	Volver a conectar la alimentación eléctrica.
	La temperatura ambiente está fuera de la gama de temperaturas admisibles de servicio.	Cortar la alimentación eléctrica y dejar la máquina detenida hasta que la temperatura ambiente esté dentro de la gama admisible de valores.
	El recipiente está lleno de hielo.	Quitar algunos cubos de hielo. Verificar que no hay hielo en la sonda de lleno de hielo.
	La bandeja de drenaje encima del compresor está llena.	Desagüe el agua en destornillando la tuerca de drenaje inferior.
La máquina está electrizada.	La línea de descarga a tierra no está conectada.	Enchufar la máquina en un tomacorriente de 3 patas con descarga a tierra.
Se acumulan incrustaciones frecuentemente en el circuito interno de la máquina.	La dureza del agua es muy elevada.	Instalar un dispositivo “ablandor” de agua adelante de la válvula de paso de la línea de suministro.
La máquina alarma regularmente.	La bandeja de drenaje encima del compresor está llena.	Desagüe el agua en destornillando la tuerca de drenaje inferior.

# Garantía limitada

Franklin Industries, LLC, garantiza este producto contra defectos de materiales y fabricación, por un periodo de un año a partir de la fecha original de compra o de entrega del producto. Toda parte que se probara que es defectuosa será cambiada o reparada en su única discreción por Franklin Industries, LLC, sin cargos para el usuario, siempre y cuando se determine que la máquina fue usada de acuerdo con las instrucciones proporcionadas con el producto. Si la unidad resulta defectuosa, su primera línea de acción debe ser de seguir la norma de devolución del detallista.

Esta garantía es válida únicamente en territorio continental de Estados Unidos y no abarca los siguientes casos:

- Daños por conexión al voltaje incorrecto para la máquina o defectos de instalación
- Daños sufridos durante el transporte
- Defectos no relacionados con la fabricación
- Cualquier gastos de instalación que se pueden contraer
- Mano de obra ni reparaciones después de los primeros 12 meses de uso
- Daños causados por maltrato, uso indebido, accidentes, modificaciones y/o falta de cuidado y mantenimiento adecuados
- Conservación o reparaciones impropias o ejecutadas inexactamente
- Uso de piezas no recomendadas por Franklin Industries, LLC
- Daños debidos a actos de la naturaleza.

Esta garantía limitada se ofrece en reemplazo de cualquier otra garantía, sea expresa o implícita, y no cubre perjuicios directos ni indirectos. Algunos estados no permiten imponer la exclusión o limitación de daños incidentales o consiguientes, por lo tanto la limitación o excepción anterior no puede ser aplicable.

Esta garantía le confiere derechos establecidos por ley, pero usted también podría tener otros derechos que varían de un/una estado/provincia a otro/otra. Consulte las materias escritas que acompañan su producto para la operación segura y apropiada.

Esta garantía no se puede asignar.

Para solicitar servicios cubiertos por la garantía, comunicarse con:

**Franklin Industries, LLC**  
4100 First Avenue  
Brooklyn, NY 11232-3321  
Tel.: 1-888-424-8278  
E-mail: [customerservice@franklinchef.com](mailto:customerservice@franklinchef.com)

Para solicitar servicios de garantía, es necesario tener los números de Modelo y de Serie, que se pueden encontrar en la etiqueta de datos en la parte de atrás de la máquina, así como también una prueba de la compra tal como un recibo de ventas o de obsequio.



# Table des matières

SÉCURITÉ DE L'APPAREIL	55
PRÉCAUTIONS IMPORTANTES	56 - 58
INFORMATIONS TECHNIQUES	58
INTRODUCTION	59
POSITIONS DES COMPOSANTS	59 - 60
INSTALLATION DE L'APPAREIL	60 - 66a
Déballage	60 - 61
Spécifications pour l'emplacement	61 - 62
Spécifications électriques	62 - 63
Mise à niveau de l'appareil pour la fabrication des glaçons	63 - 64
Pour inverser l'ouverture de la porte	64
Branchement de l'alimentation d'eau	65 - 66
Types d'installation	66 - 66a
FONCTIONNEMENT	67 - 71
Check-list finale avant la mise en service	67
Mode opératoire	67 - 68
Procédé de fabrication de la glace	69 - 70
Bruits qui indiquent un fonctionnement normal	70
Préparation de l'appareil pour une période de stockage prolongée	70 - 71
ENTRETIEN ET NETTOYAGE	71 - 76
Nettoyage extérieur	72
Nettoyage intérieur	72
Nettoyage du condenseur	72 - 73
Nettoyage du tube pour la distribution d'eau	73
Nettoyage du système de fabrication de la glace	73 - 75
Tableau de contrôle	75 - 76
FONCTIONS PRINCIPALES	76
SOLUTION DES PROBLÈMES	77 - 78
GARANTIE LIMITÉE	79

**Franklin Industries, LLC, se réserve le droit d'apporter des modifications aux spécifications et au plan sans avis préalable.**

# Sécurité de l'appareil

*Votre sécurité et celle des autres sont très importantes.*

Nous avons inséré plusieurs messages importants concernant la sécurité dans ce manuel et sur l'appareil. Lire ces messages et en respecter toujours les indications.



Celui-ci est le symbole d'alerte de sécurité. Ce symbole annonce un risque de dommages potentiellement mortels pour l'opérateur. Tous les messages de sécurité suivront le symbole d'alerte et aussi les mots DANGER, AVERTISSEMENT ou ATTENTION.

**▲ DANGER ▲**

DANGER signifie que la non-observation de cette prescription de sécurité peut provoquer de graves dommages personnels ou la mort.

**▲ AVERTISSEMENT**

AVERTISSEMENT signifie que la non-observation de cette prescription de sécurité peut provoquer de graves dommages au produit et personnels ou la mort.

**ATTENTION**

ATTENTION signifie que la non-observation de prescription de sécurité peut provoquer des dommages personnels légers ou modérés et des dommages au matériel.

Tous les messages de sécurité alertent l'utilisateur en l'informant de la nature du risque potentiel, indiquent comment réduire les chances de dommages et signalent les conséquences de la non-observation des prescriptions.

## INSTRUCTIONS DE SÉCURITÉ IMPORTANTS

**AVERTISSEMENT: Pour réduire les risques d'incendie, électriques ou blessures en utilisant l'appareil, suivre ces précautions de base:**

- *Brancher à une prise à 3 broches avec branchement à la terre.*
- *Ne pas enlever la broche de terre.*
- *Ne pas utiliser d'adaptateurs.*
- *Ne pas utiliser de câbles de rallonge.*
- *Couper le courant avant de commencer les opérations d'entretien.*
- *Couper le courant avant nettoyage.*
- *Remettre en place tous les panneaux avant démarrage.*
- *Opérer à deux ou plusieurs personnes pour déplacer et installer l'appareil.*

**Sauvegarder ces instructions**

# PRÉCAUTIONS IMPORTANTES



Avant d'utiliser l'appareil pour la fabrication des glaçons, il faut le placer et l'installer correctement selon les indications de ce manuel qui doit être lu avec attention. Franklin Industries, LLC, recommande avec force qu'un professionnel installe votre nouvelle machine. La garantie peut être affectée ou annulée par une installation inexacte. Pour réduire les risques d'incendie, électrocution ou dommages personnels lors de l'utilisation de l'appareil, suivre les précautions de base, y compris les suivantes :

## ⚠ DANGER ⚠

- Brancher sur une prise électrique à trois broches avec contact de terre; ne pas supprimer la broche de masse, ne pas utiliser d'adaptateurs ou de câbles de rallonge.
- Il est recommandé de prévoir un circuit électrique destiné uniquement à l'appareil pour la fabrication des glaçons. Utiliser des prises de courant qui ne puissent pas être débranchées par un interrupteur ou une chaînette de traction.
- Ne pas insérer ou débrancher la fiche électrique avec les mains mouillées.
- Ne jamais débrancher la machine en tirant sur le cordon d'alimentation. Toujours saisir fermement le bouchon et tirer directement hors de la prise de courant.
- Ne jamais nettoyer les parties de l'appareil avec des liquides inflammables. Ne jamais garder ou utiliser de l'essence ou d'autres vapeurs ou liquides inflammables en proximité de cet appareil ou d'autres machines. Les vapeurs peuvent provoquer un risque d'incendie ou d'explosion.
- Avant de commencer les opérations de nettoyage et entretien, vérifier que l'alimentation électrique de l'appareil est coupée et l'arrivée d'eau fermée (EXCEPTION: nettoyage des systèmes de fabrication des glaçons et d'eau de la machine, pages 73 à 75).
- Remettre en place tous les panneaux de protection avant l'utilisation.
- Ne permettre jamais aux enfants d'opérer, jouer ou accéder à la machine.
- Ne pas toucher l'évaporateur avec votre main quand la machine opère.
- Débrancher la fiche ou couper le courant avant le nettoyage ou l'entretien. La non-observation de cette précaution comporte le risque d'électrocution ou de mort.
- Ne pas essayer de réparer ou remplacer n'importe quelle pièce de l'appareil si cela n'est pas expressément recommandé dans ce manuel. Toutes les autres opérations d'entretien doivent être confiées à un technicien qualifié.

## ⚠ AVERTISSEMENT

- Utiliser au moins deux personnes pour déplacer et installer l'appareil. Ceci pour éviter des lésions dorsales ou autres.
- Pour garantir la ventilation correcte de l'appareil, la partie avant de la machine doit être complètement dégagée. Choisir un emplacement bien ventilé avec des

- températures comprises entre 10° C (50° F) et 38° C (100° F). Cet appareil DOIT être installé à l'abri des agents atmosphériques tels que vent, pluie, jets ou coulures d'eau.
- L'appareil ne doit pas être placé près de fourneaux, grills ou autres sources de chaleur à température élevée.
  - L'appareil doit être installé avec tous les branchements électriques et au réseau de l'eau, réalisées en conformité aux prescriptions nationales et locales. Est requise une prise électrique standard (seulement 115 VCA, 60 Hz, 15 A), correctement branchée à la terre selon le Code Électrique Nationale et les prescriptions locales et nationales.
  - Le câble d'alimentation ne doit pas être tordu ou coincé entre l'appareil et le mur.
  - Le fusible (ou le disjoncteur) doit être prévu pour un courant de 15 ampères.
  - Pour fonctionner correctement il est important que l'appareil pour la fabrication des glaçons soit parfaitement à niveau.
  - Toutes les installations hydrauliques doivent correspondre aux prescriptions locales.
  - S'assurer que les tuyaux ne sont pas coincés, tordus ou endommagés pendant l'installation.
  - Vérifier l'absence de fuites après branchement.
  - Bien que l'appareil ait été essayé à l'usine, à cause du temps nécessaire pour l'expédition et le stockage, le premier lot de glaçons doit être jeté.
  - Enlever les matériels d'emballage et nettoyer la machine avant de l'utiliser.
  - Ouvrir le robinet de provision d'eau avant d'allumer la machine. Ne jamais fermer le robinet de provision d'eau de quand la machine est en marche.
  - Sauf prendre la glace de l'unité, garder la porte fermée afin de réduire la fusion de glace et promouvoir la formation propre des glaçons.
  - Si la machine pour la fabrication des glaçons n'est pas utilisée pendant longtemps, il faut la nettoyer à fond avant de la remettre en service. Suivre soigneusement toutes les instructions fournies pour le nettoyage ou l'utilisation de la solution désinfectante. Ne pas laisser des solutions à l'intérieur de l'appareil après le nettoyage.
  - NE PAS toucher les ailettes du condenseur. Les ailettes du condenseur sont tranchantes et il est facile de les endommager.
  - NE PAS utiliser à l'intérieur des produits de nettoyage à base de solvants ou abrasifs. Ces produits peuvent transmettre un goût aux glaçons ou aussi endommager ou décolorer l'intérieur.
  - Le produit de nettoyage de l'appareil contient des acides. NE PAS le mélanger ou l'utiliser en mélange avec d'autres produits de nettoyage à base de solvants. Utiliser des gants en caoutchouc pour protéger les mains. Lire soigneusement les instructions de sécurité sur le récipient du produit de nettoyage de l'appareil à glaçons.
  - Ne pas utiliser cet appareil pour des usages différents de ce qui est prévu.

## **SAUVEGARDER CES INSTRUCTIONS**

## Branchement électrique

Ne jamais couper ou éliminer, pour n'importe quelle raison, la troisième broche de la fiche du câble d'alimentation. Pour la sécurité personnelle, cet appareil doit être correctement branché à la terre. Le câble d'alimentation de cet appareil est pourvu d'une fiche à trois broches, avec contact de terre, à coupler avec une prise murale standard avec contact de terre pour réduire au minimum la possibilité de risque d'électrocution par l'appareil. Faire vérifier la prise murale et le circuit par un électricien qualifié pour s'assurer que le branchement à la terre est effectif. Si la prise disponible n'accepte que des fiches à deux broches, il appartient à la responsabilité et aux obligations de l'utilisateur de la remplacer par une prise murale à trois broches correctement branchée à la terre. L'appareil doit être toujours branché sur sa prise individuelle qui a un voltage correspondant aux indications de la plaque de l'appareil. Ceci assure les meilleures performances et évite de surcharger les câbles des circuits de la maison dont la surchauffe pourrait être une cause de risque d'incendie. Ne jamais débrancher l'appareil en tirant sur le câble d'alimentation. Saisir toujours fermement la fiche et la sortir de la prise. Réparer ou replacer immédiatement tous les câbles d'alimentation usés ou endommagés. Ne pas utiliser un câble qui présente des craquelures ou des abrasions sur la longueur ou aux extrémités. En déplaçant la machine, faire attention à ne pas endommager le câble d'alimentation.

## Câble de rallonge

A cause des risques potentiels pour la sécurité dans certaines conditions, il est vivement recommandé de ne pas utiliser de câbles de rallonge avec cet appareil.

## Informations techniques

<b>Modèle :</b>	FIM35
<b>Alimentation électrique :</b>	115VCA ~ 60Hz
<b>Consommation électrique :</b>	13.2 kWh/45 kg de glace
<b>Courant de fabriquer/récolter glace</b>	3,7A/4,8A
<b>Réfrigérant :</b>	R134a; 0,180 kg
<b>Pression haute/basse</b>	23,8 atm / 8,2 atm
<b>Largeur x profondeur x hauteur :</b>	371 mm x 599 mm x 851 mm *
<b>Poids :</b>	41,6 kg
<b>Contenance de stockage de glace :</b>	11,4 kg au maximum
<b>Capacité de fabriquer des glaçons :</b>	20 kg par jour de glaçons**
<b>Forme de glaçon :</b>	Cube
<b>Taille de glaçon :</b>	19 mm x 19 mm x 25 mm

Les données techniques et les indications des performances indiquées ci-dessus sont à utiliser uniquement comme références. Ces valeurs peuvent être modifiées.

\* La dimension de largeur est mesurée avec les soutiens de stabilité toujours sous la unité.

\*\* La quantité effective de glace produite par jour varie en fonction des conditions ambiantes et de l'eau.

# Introduction

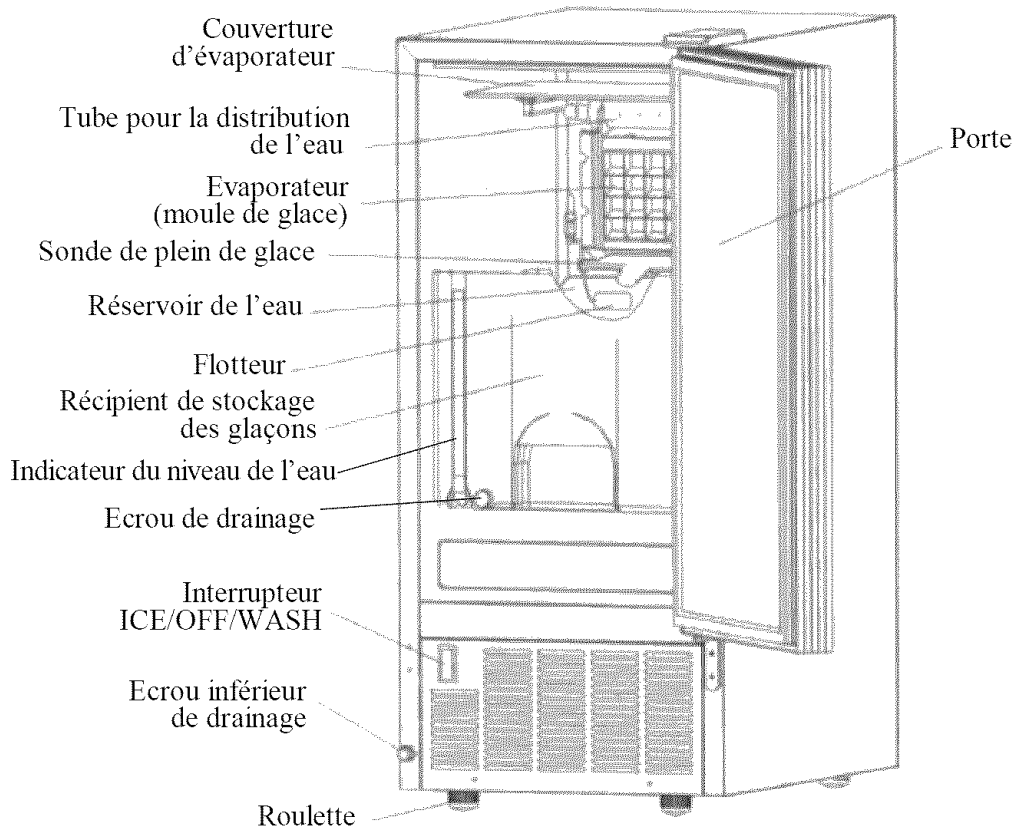
Le modèle FIM35 Ice Maker de Franklin Chef™ produit des glaçons cristallins transparents, cubiques du format préféré par les gourmets. Il est pratique pour les propriétaires et les clients de l'hôtel. Une trémie isolée pour la conservation de la glace est incorporée.

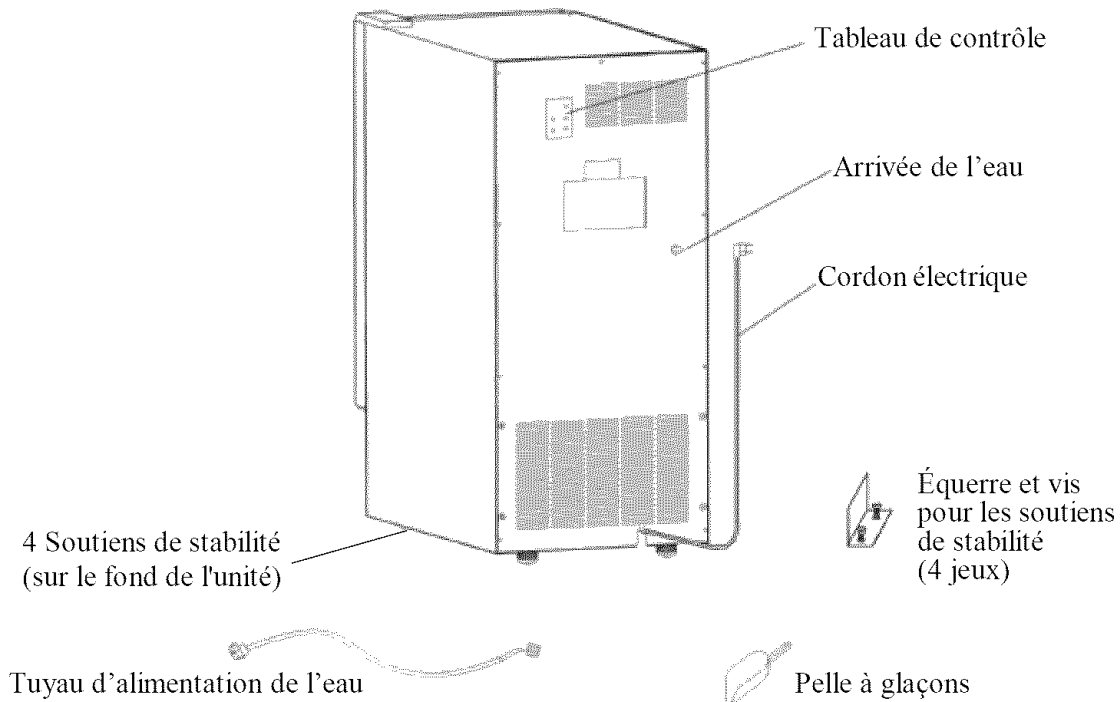
Ce manuel de l'utilisateur est conçu pour les personnes qui installent, utilisent et assurent l'entretien du modèle FIM35. Il contient des informations importantes pour la sécurité et l'entretien. Franklin Industries, LLC, recommande vivement de garder ce manuel dans un endroit où l'on puisse le trouver en cas de nécessité.

Chaque appareil pour la fabrication des glaçons Franklin Chef™ est conçu et fabriqué en conformité des standards les plus élevés de sécurité et performance. Il correspond ou dépasse les normes de sécurité UL563 et la norme sanitaire NSF12.

Franklin Industries, LLC, n'assume pas d'obligations ou responsabilité d'aucun genre pour tous types de produits fabriqués par Franklin Chef™ qui aient été modifiés de n'importe quelle manière, y compris l'utilisation de toutes pièces et/ou parties non expressément approuvées par Franklin Industries, LLC. Franklin Industries, LLC, se réserve le droit d'apporter des modifications au plans et/ou des améliorations à n'importe quel moment. Spécifications et plans peuvent être modifiés sans préavis.

## Positions des composants





## Installation de l'appareil

### Déballage

#### **⚠ AVERTISSEMENT**

#### **Risque de poids excessif**

Utiliser au moins deux personnes pour déplacer et installer l'appareil. Autrement sont possibles des dommages au dos ou autres.

### Enlever les matériaux d'emballage

*IMPORTANT: Ne pas enlever les étiquettes d'instructions ou les plaques d'identification fixées à l'appareil.*

Enlever de l'appareil le ruban adhésif et la colle avant de l'employer.

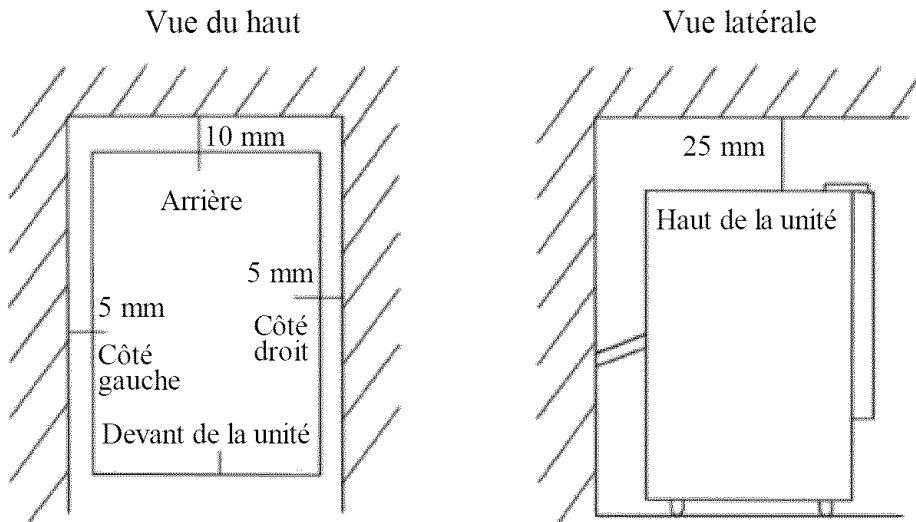
- Pour enlever les résidus de ruban adhésif ou colle, frotter vivement la surface avec le pouce. Les résidus d'adhésifs ou de colle peuvent aussi être enlevés en frottant sur l'adhésif avec les doigts une petite quantité de savon à vaisselle liquide. Rincer à l'eau chaude et essuyer.
- Ne pas utiliser d'instruments tranchants, alcool, liquides inflammables ou détergents abrasifs pour enlever le ruban adhésif ou la colle. Ces produits peuvent endommager la surface de l'appareil.

## Nettoyage avant l'emploi

Après avoir enlevé tous les matériaux d'emballage, nettoyer l'appareil à l'intérieur avant de l'utiliser. Voir « Nettoyage intérieur » à la section « Nettoyage et Entretien ».

## Spécifications pour l'emplacement

ESPACES LIBRES:



- L'unité devrait être installée par le personnel qualifié.
- Pour garantir une bonne ventilation de l'appareil, la partie avant doit être complètement dégagée.
- En installant la machine sous un comptoir, suivre les dimensions spatiales recommandées comme montrées. Permettre au moins 10 mm (2/5") de dégagement à l'arrière, 5 mm (1/5") aux côtés et 25 mm (1") au haut pour une bonne circulation de l'air. L'installation doit permettre d'avancer l'appareil pour l'entretien si nécessaire.
- Choisir une zone bien ventilée avec une température comprise entre 10° C (50° F) et 38° C (100° F). Cet appareil DOIT être installé dans un endroit protégé des agents atmosphériques tels que vent, pluie, nébulisation ou égouttements d'eau.
- L'appareil ne doit pas être installé en proximité de fours, grills ou autres sources de chaleur à température élevée.
- L'installation de l'appareil exige une alimentation d'eau froide de tuyaux en cuivre doux de 6.35 mm (1/4 ") de diamètre avec une valve de fermeture.
- L'appareil exige une alimentation d'eau continue à une pression minimale de 15 psig et un pression statique non plus que 80 psig. Pour un fonctionnement correct la température de l'eau d'alimentation devrait être comprise entre 5° C (41° F) et 32° C (90° F).



## **⚠ AVERTISSEMENT**

La température ambiante normale de fonctionnement devrait être comprise entre 10° C (50° F) et 38° C (100° F). La température normale de l'eau devrait être comprise entre 5°C (41° F) et 32° C (90° F). Le fonctionnement de l'appareil pendant de longues périodes à des températures en dehors de cette gamme peut affecter le rendement.

- En général, le filtrage de l'eau est toujours une bonne idée. Un filtre pour l'eau, s'il est du type approprié, peut supprimer les goûts et les odeurs et aussi les matières en suspension. Quand l'eau est très dure, l'eau adoucie peut produire des glaçons blancs et opaques qui adhèrent entre eux. L'eau déminéralisée n'est pas recommandée.
- L'appareil doit être installé avec tous les branchements électriques et de l'eau réalisés conformément aux prescriptions nationales et locales.
- L'appareil doit être placé sur une surface solide et plane. Il est important pour un fonctionnement correct que l'appareil soit mis à niveau. Si nécessaire, la hauteur de l'appareil peut être réglée en agissant sur le pied. Voir la section « Mise à niveau de l'appareil ».
- Une prise électrique standard (seulement 115 VCA, 60 Hz, 15 A), correctement branchée à la terre en conformité avec les prescriptions du Code Électrique National et avec les règlements locaux est nécessaire.
- **IMPORTANT:** Ne pas tordre ou pincer le câble d'alimentation entre l'appareil et les parois.

### *Spécifications électriques*

## **⚠ DANGER ⚠**



### **Risque d'électrocution**

Brancher à une prise à 3 broches avec contact de terre.

Ne jamais enlever la broche de terre de la fiche.

Ne jamais utiliser un adaptateur.

Ne jamais utiliser un câble de rallonge.

La non-observation de ces prescriptions peut provoquer un incendie, un choc électrique ou la mort.

Avant de placer l'appareil dans sa position définitive, il est important de vérifier que le branchement électrique est correct.

Il faut avoir une prise de courant standard (seulement 115 VCA, 60 Hz, 15 A), correctement branchée à la terre selon les prescriptions du Code Électrique National et les règles locales. L'unité toujours devrait être branchée dans sa propre sortie électrique individuelle.

Il est recommandé de prévoir un circuit séparé, utilisé exclusivement par l'appareil de préparation des glaçons. Utiliser des prises qui ne puissent pas être débranchées par un interrupteur ou une chaînette de traction.

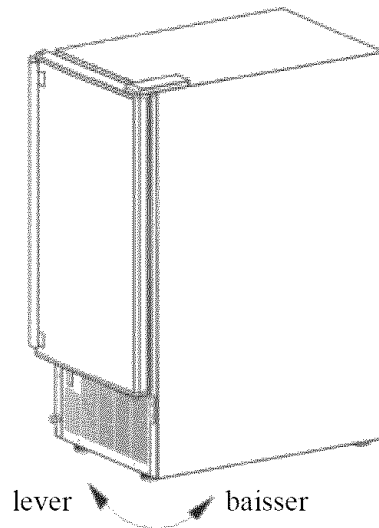
Le fusible (ou le disjoncteur) devront être prévus pour un courant de 15 ampères.

### **Méthode de mise à la terre recommandée**

Pour votre sécurité personnelle cet appareil doit être branché à la terre. Cet appareil est pourvu d'un câble d'alimentation avec une fiche à 3 broches. Pour réduire au minimum les risques de secousses électriques, le câble doit être inséré dans une prise murale à 3 broches correspondante et reliée à la terre selon les prescriptions du Code Électrique National et les règlements locaux. Si une prise correspondante à la fiche n'est pas disponible, il appartient à la responsabilité personnelle du client de faire installer par un électricien qualifié la prise à 3 broches dont ci-dessus, correctement branchée à la terre.

### ***Mise à niveau de l'appareil pour la fabrication des glaçons***

Pour un fonctionnement correct il est important que l'appareil soit mis à niveau. Autrement, l'eau ne peut pas couler convenablement par l'évaporateur (moule de glace). La production des glaçons sera moins de normal, et l'opération sera bruyant. La machine peut être élevée ou abaissée en tournant les gaines plastiques autour de chacune des quatre roulettes sur le fond de la machine. Si vous trouvez que la surface n'est pas à niveau, tournez les roulettes jusqu'à ce que la machine devienne à niveau. Quelques ajustements peuvent être nécessaires pour obtenir ce résultat. Nous recommandons l'utilisation d'un niveau de charpentier pour vérifier la machine.



1. Placer le niveau de charpentier sur la machine pour observer si la machine soit droite du devant à l'arrière et de côté à côté.
2. Ajuster la hauteur des roulettes comme suit:
  - Tourner la roulette qui nivelle à la droite abaisser ce côté de la machine.
  - Tourner la roulette qui nivelle à gauche pour élever ce côté de la machine.

Ce type d'appareil est pourvu d'une combinaison de pieds/roulettes à la base. Il peut être déplacé partout facilement par une seule personne. La combinaison pieds/roulettes sera très utile pour le nettoyage et la désinfection de la surface d'appui de l'appareil, car elle permet de déplacer l'appareil en accédant facilement à la surface à nettoyer.

*IMPORTANT: Quand la machine est prête être installée dans un placard ou directement par terre, vous devez ajuster les pieds pour la niveler et bloquer les roulettes. Si le plancher est droit, seulement tourner les deux pieds de devant pour toucher le plancher.*

## ***Pour inverser l'ouverture de la porte***

**Outils nécessaires :** tournevis, tournevis cruciforme

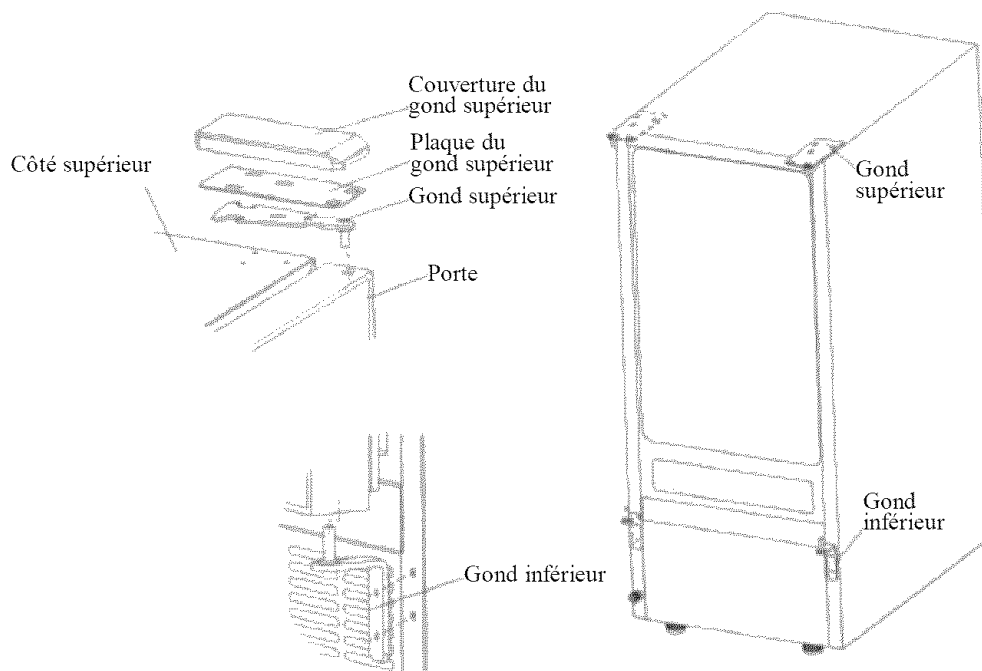
*IMPORTANT: Avant que vous commenciez, débranchez la machine.*

### **Pour enlever la porte des gonds:**

1. Enlever la couverture du gond supérieur.
2. Avec l'utilisation d'un tournevis cruciforme, enlever les vis et enlever la plaque du gond supérieur et le gond lui-même. Garder ensemble les parties et les mettre de côté.
3. Soulever la porte du gond inférieur et tourner-la à l'envers pour que la poignée soit sur la droite. Mettre de côté la porte.

### **Pour remplacer la porte sur les gonds:**

1. Avec l'utilisation d'un tournevis, enlever les bouchon-boutons des trous de vis opposés des gonds de porte, supérieur et inférieur. Mettre de côté.
2. Enlever le gond inférieur et mettre-le sur le côté opposé au fond de la porte.
3. Disposer la porte sur le gond inférieur.
4. Aligner la porte sur le gond inférieur et remplacer le gond supérieur et sa plaque.
5. Remplacer la couverture du gond supérieur.
6. Pousser les bouchon-boutons dans les trous de vis originaux. Voir la figure ci-dessous.



## ***Branchement de l'alimentation d'eau***

L'alimentation d'eau doit être prédisposé sur l'emplacement d'installation. L'appareil exige une alimentation d'eau continue à une pression minimale de 15 psig et une pression statique non plus que 80 psig. (Un branchement sur le mur derrière la machine facilitera l'installation de l'appareil.)

### ***IMPORTANT :***

1. *Toutes les installations doivent être conformes aux prescriptions du code local pour les branchements hydrauliques. L'installation professionnelle est recommandée.*
2. *Vérifier que les tuyaux ne sont pas pincés ou tordus ou endommagés pendant l'installation.*
3. *Après branchement, vérifier l'absence de fuites.*

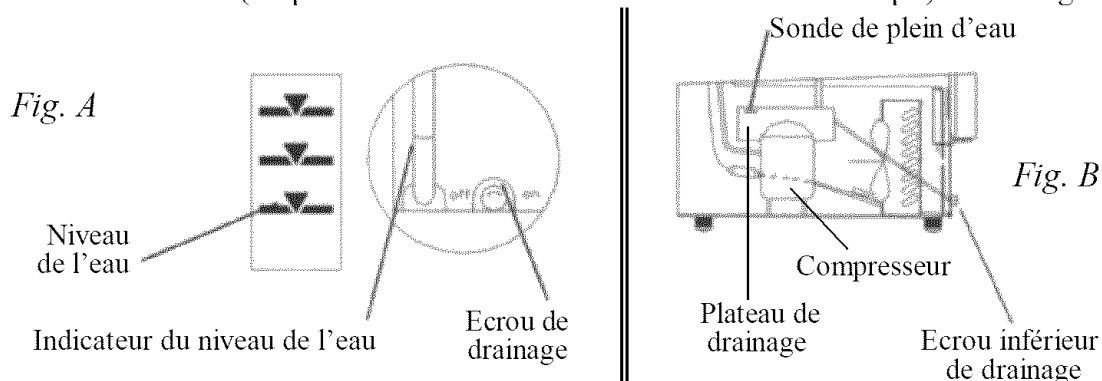
**Outils nécessaires :** clé de 1/2 pouce, tournevis cruciforme

### **Branchement de l'alimentation d'eau :**

1. Fermer la vanne principale d'alimentation de l'eau. Ouvrir le robinet de la ligne le plus proche pour permettre l'écoulement complet de l'eau.
2. Repérer un tuyau vertical d'eau froide de diamètre compris entre 1/2 et 3/4 de pouces près de l'emplacement de l'installation. La distance devrait être inférieure à 9 pieds (2,7 mètres). Le tuyau d'alimentation livré avec l'appareil a une longueur d'environ 9 pieds.
3. Une vanne d'intersection doit être installée sur l'alimentation d'eau. Si le tuyau a une pièce de simple tube en cuivre, monter un joint à compression de 1/4" diamètre extérieur au tuyau et enlever la partie filetée.
4. Brancher les parties filetées du tuyau d'alimentation d'eau au réseau et à la valve d'entrée de l'eau. Resserrer fermement à la main, ensuite un demi-tour avec la clé.
5. Ouvrir la vanne principale et le robinet d'alimentation de l'eau. Vérifier qu'il n'y a pas de fuites aux branchements. Serrer les joints si nécessaire (y compris les joints à l'arrivée de l'eau) ou les écrous qui présentent des fuites.

### **Ce type de machine pour le fabrication des glaçons n'exige pas une ligne de drainage.**

Le récipient de stockage des glaçons recueille de l'eau par la fusion de la glace. Le niveau de l'eau dans le récipient peut être vu par l'indicateur du niveau de l'eau. Quand exigé, l'eau doit être déchargée par l'écrou de drainage sur le devant de la récipient. L'écrou doit être ensuite resserré. (Ne pas desserrer ou dévisser cet écrou aux autres temps.) Voir la Fig. A.



**IMPORTANT:**

- *Drainer l'eau de fusion régulièrement ou vous risquerez un haut taux de fusion dans le récipient de stockage des glaçons si le niveau de l'eau atteint la glace.*
- *L'unité draine l'eau de condensation au plateau de drainage sur le sommet du compresseur. (Voir la Fig. B à la page 65.) Cette eau s'est lentement évaporée par la chaleur engendrée par le compresseur. Si le plateau de drainage sur le compresseur devient plein d'eau, ceci est détecté par la sonde de plein d'eau et la machine éteint automatiquement. En même temps, la machine envoie un signal d'alarme et les LEDs rouge, vert et jaune sur le tableau de contrôle à l'arrière de la unité clignotent ensemble. Une fois que l'excédent d'eau s'égoutte par l'écrou de drainage au fond de la machine, la unité commence encore le fonctionnement automatiquement.*

## **Types d'installation**

Cette machine a été conçue pour être installée comme appareil Mobile (indépendant). Elle peut être Enfermée aussi (comme sous un placard) ou Incorporée (scellée au plancher). Dans chaque cas, il doit y avoir l'espace d'air suffisant autour de l'unité pour la ventilation (voir des diagrammes à la page 61).

### **Installation mobile:**

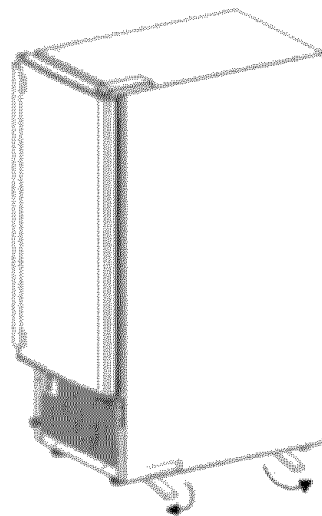
Une installation mobile permettra d'installer l'appareil indépendant dans n'importe quelle place choisie à condition d'avoir l'accès à l'alimentation d'eau. Il faudra suivre les prescriptions pour ce qui concerne:

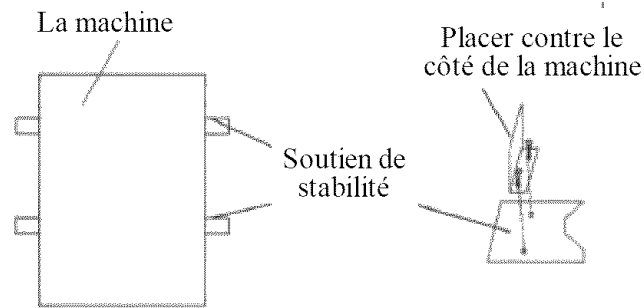
- a. Les spécifications électriques
- b. L'alimentation d'eau
- c. La mise à niveau de l'appareil.

Il y a quatre soutiens de stabilité inclus avec l'unité. Pour l'installation mobile, ces soutiens, qui sont localisés sur le fond de la machine, devraient être tournés de façon à ce que deux des soutiens s'étendent de chaque côté de l'unité. (Voir la figure.) Les soutiens ajoutent la stabilité à l'unité.

*Pour fixer les soutiens de stabilité en place:* Dans l'unité vous trouverez un paquet qui contient 4 équerres en forme de L, et 8 vis. Une équerre et deux vis seront utilisés pour fixer chaque soutien de stabilité et l'empêcher de tourner hors de position. Vous devriez les attacher comme suit:

1. Une fois que les soutiens de stabilité ont été tournés en dehors, ajuster le boulon sous chaque soutien et aussi les roulettes sous la machine jusqu'à ce que l'unité soit stable et droite.





*Vue supérieure de la machine*

2. Placer une équerre sur un des soutiens pour que le côté long de l'équerre soit dans l'alignement du côté de la machine et les deux trous dans l'équerre alignent avec les trous correspondants dans le soutien de stabilité.
3. Utiliser deux des vis fournies pour attacher solidement l'équerre au soutien.
4. Répéter les étapes 2 et 3 avec l'autre trois soutiens de stabilité.

#### AVERTISSEMENTS:

- a) Vérifier que toutes les quatre roulettes touchent le sol. Le poids de l'unité ne devrait pas se reposer entièrement sur les soutiens de stabilité puisque ceci pourrait les endommager.
- b) La machine ne devrait pas bouger. Les soutiens de stabilité assurent la stabilité et évitent le renversement de la machine au cas où elle est accidentellement poussée. Ils assurent aussi le fonctionnement propre de l'unité.

#### **Installation enfermée:**

Une installation enfermée permet d'installer l'appareil sous un meuble ou dans un meuble de cuisine à condition de respecter les exigences d'espace libre autour de l'appareil. Cette installation a les mêmes exigences indiquées pour l'installation mobile.

#### **Installation incorporée :**

Si cette méthode d'installation est choisie, il sera toujours nécessaire de permettre l'espace de ventilation suffisant autour de l'unité. Il faut observer les prescriptions additionnelles suivantes:

1. Placer l'appareil en face de l'emplacement prévu pour l'installation. Démontez les pieds et poser l'appareil à plat sur un plancher ou une plate-forme selon les exigences d'installation.
2. Les tuyaux d'alimentation de l'eau doivent être préparés avant de brancher l'appareil.
3. Ouvrir la vanne principale et le robinet d'alimentation d'eau. Vérifier l'absence de fuites sur l'alimentation d'eau. Serrer tous les branchements (y compris celles sur la valve) ou les joints qui présentent des fuites.
4. Si la prise électrique pour l'appareil est derrière le meuble, brancher l'appareil.
5. Pousser l'appareil en position.
6. Sceller tout autour du meuble au plancher avec un produit approuvé.

# Fonctionnement

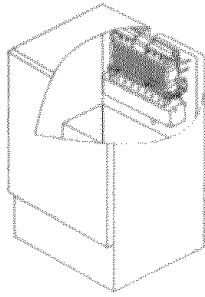
## *Check-list finale avant la mise en service*

1. Tout le matériel d'emballage et le ruban adhésif ont été enlevés à l'intérieur et à l'extérieur de l'appareil?
2. Le récipient de stockage des glaçons a été nettoyé?
3. Les instructions d'installations, y compris celles concernant les branchements de la machine à l'eau d'alimentation, au drainage et à l'électricité ont été suivies?
4. La machine est correctement à niveau?
5. L'appareil est dans un local où la température ambiante soit comprise entre 10° C (50° F) et 38° C (100° F) et la température de l'eau entre 5° C (41° F) et 32° C (90° F) pendant toute l'année?
6. La pression de l'eau a été vérifiée pour certifier qu'elle soit au moins 15 psig avec une pression statique pas plus que 80 psig?
7. Il y a un espace libre d'au moins 10 mm (2/5 pouces) à l'arrière, 25 mm (1 pouce) au sommet et 5 mm (1/5 pouce) aux côtés pour assurer une circulation correcte de l'air?
8. Le voltage d'alimentation a été vérifié et il correspond aux indications de la plaque d'identification de l'appareil? L'appareil a été correctement branché à la terre?
9. L'appareil est branché?
10. La vanne principale et le robinet de l'eau sont ouverts?
11. L'absence de fuites sur les branchements de l'alimentation d'eau et du drainage a été vérifiée?

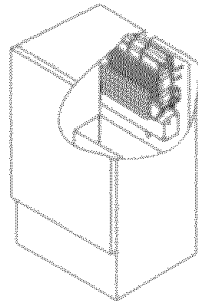
## *Mode opératoire*

1. Ouvrez le robinet d'alimentation, laissez remplir le réservoir de l'eau, alors allumez l'interrupteur ICE/OFF/WASH au devant de l'unité à la position ICE. L'appareil commence à fonctionner automatiquement.

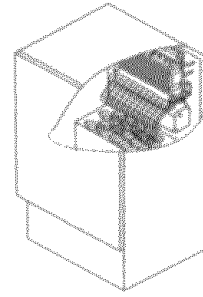
- Après 3 minutes, la machine passe automatiquement au stade de fabrication de la glace et on entendra le bruit de l'eau qui coule.



Stade de fabrication  
de la glace



Stade de récolte  
de la glace



Pleine de glace

- Quand le lot de glace a été entièrement formé, les glaçons seront automatiquement récoltés dans le récipient de stockage.
- Quand le récipient de stockage est rempli, la plaque de glaçons ne tombe pas complètement et tient ouverte la sonde de plein de glace. La machine arrête la fabrication des glaçons et progresse automatiquement à l'étape de préservation du froid. Pendant cette étape, le compresseur fonctionne régulièrement à garder la température plus basse pour réduire la fusion de la glace.
- L'unité commencera encore à faire la glace après que les glaçons sont enlevés. À ce moment-là, la sonde de plein de glace se balance à la position d'opération.
- NOTE: Il y a un plateau localisé dans l'unité en haut du compresseur pour attraper l'eau de la condensation et des éclaboussures. Quand ce plateau de drainage est plein d'eau, la machine arrête de fonctionner et une alarme sonne régulièrement. La machine s'allume encore seulement quand l'eau est drainée en dévissant l'écrou inférieur de drainage.**

**IMPORTANT:**

- L'appareil a été testé et nettoyé à l'usine, mais à cause de la période de temps prolongée nécessaire pour le transport et le stockage, il faudra jeter le premier lot de glaçons.*
- Ne jamais fermer le robinet d'alimentation pendant le fonctionnement de la machine.*
- Ne jamais toucher l'évaporateur quand la machine est en marche.*
- Sauf enlever de la glace de l'unité, garder la porte fermée pour réduire la fusion et assurer la formation propre des glaçons.*
- Drainer régulièrement l'eau de fusion du récipient de stockage des glaçons.*
- Drainer de l'eau du plateau de drainage au-dessus du compresseur en dévissant l'écrou inférieur de drainage quand l'unité cesse de fonctionner et sonne régulièrement l'alarme.*



## ***Procédé de fabrication de la glace***

Mettre l'interrupteur ICE/OFF/WASH à la position ICE. La machine commencera automatiquement le stade de fabrication de la glace.

Il y a deux phases distinctes: congélation et récolte.

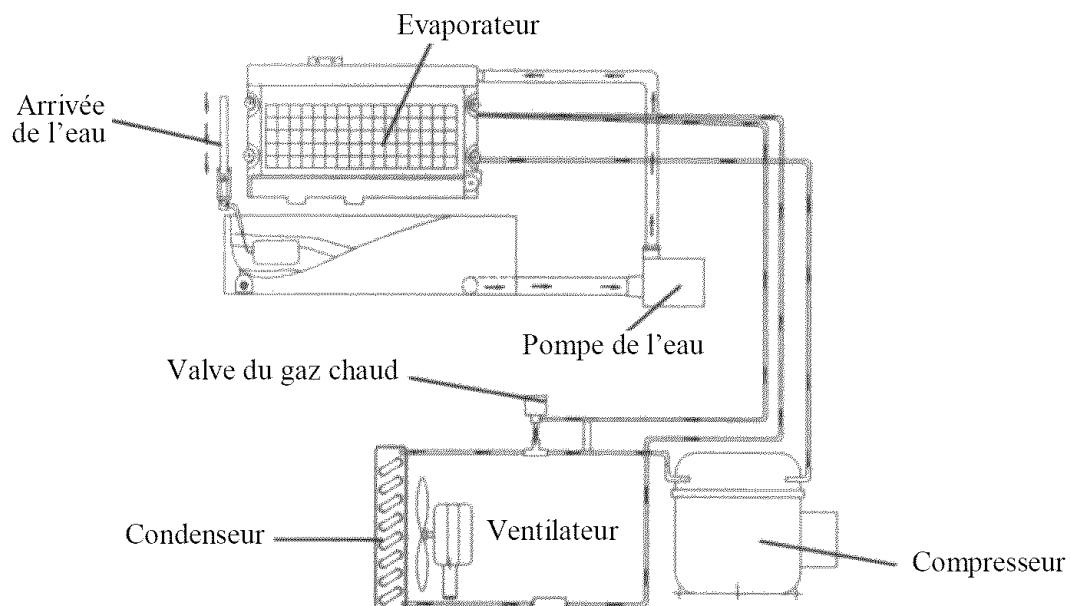
Pendant le cycle de congélation l'eau coule à la surface de l'évaporateur. Pendant le cycle de récolte, la glace est libérée et l'eau entre dans la machine. Un cycle complet peut durer de 15 à 40 minutes, mais dépend de la température et des conditions de l'opération.

**Congélation:** Pendant le cycle de congélation le compresseur pompe le réfrigérant, le ventilateur à moteur souffle l'air et la pompe de l'eau fait circuler l'eau. Quand un lot de glace a été formé complètement, l'appareil arrête le cycle de congélation et commence la récolte.

**Récolte:** Pendant le cycle de récolte le compresseur fonctionne encore, mais la pompe de l'eau est stoppée. La valve du gaz chaud ouvre, ce qui détourne le gaz réfrigérant chaud dans l'évaporateur. Le gaz réchauffe l'évaporateur, ce qui cause les cubes de glisser, comme une unité, du évaporateur et dans le récipient. Le cycle de fabrication de la glace commencera encore quand tous les glaçons s'ont récoltés

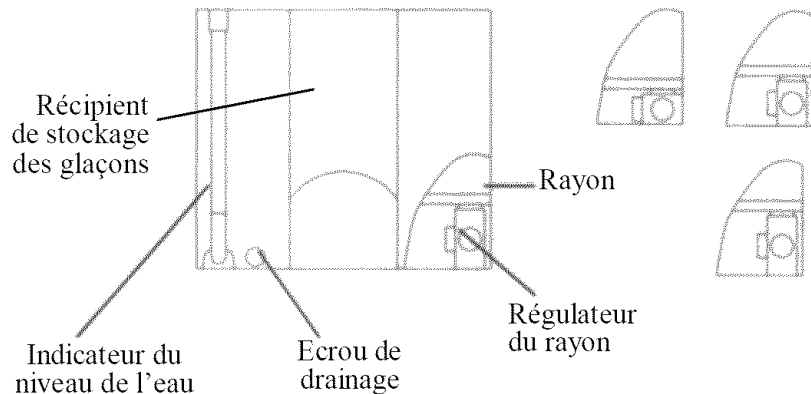
## **Utilisation de l'eau dans la machine**

L'appareil commence avec une quantité fixe d'eau dans le réservoir. Pendant que l'eau coule à la surface froide, l'eau qui ne contient pas d'impuretés minérales est gelée et colle aux moules des glaçons. L'eau qui contient des impuretés retombe dans le réservoir de l'eau. Pendant le procédé de fabriquer la glace, l'eau fraîche entre continuellement dans le réservoir de l'eau comme l'eau du réservoir gèle continuellement sur l'évaporateur.



## **Pour ajuster la capacité du récipient de stockage des glaçons**

La capacité du stockage de glace peut être augmentée ou diminuée par transférer le rayon réglable aux placements différents. Vous pouvez décider l'emplacement le plus efficace du rayon selon votre usage des glaçons.



## ***Bruits qui indiquent un fonctionnement normal***

L'appareil encore inconnu émet des sons qui ne sont pas familiers à l'utilisateur. La plupart de ces nouveaux sons sont normaux. Les surfaces dures comme le plancher, les parois et le meuble peuvent émettre des sons qui semblent plus forts de ce qu'ils ne sont réellement. Ici de suite la description des genres de sons qui peuvent apparaître nouveaux et leurs causes relatives.

- Un cliquetis peut venir du flux dans réfrigérant ou le tuyau de l'eau. Les objets entreposés sur l'appareil peuvent aussi émettre des bruits.
- Le compresseur à haute efficacité peut aussi émettre un son pulsant ou aigu.
- L'eau courante peut faire un bruit éclaboussant.
- Il est possible d'entendre le bruit de l'air forcé sur le condenseur par le ventilateur du condenseur.
- Pendant le cycle de récolte, l'on entendra le bruit des glaçons qui tombent dans le récipient de stockage.

## ***Préparation de l'appareil pour une période de stockage prolongée***

Si l'appareil ne devait pas être utilisé pendant longtemps, ou bien, s'il fallait le déplacer ailleurs, il sera nécessaire de purger l'eau contenue dans le système.

1. Fermer le robinet d'alimentation de l'eau.
2. Débrancher la ligne d'alimentation de l'eau de l'arrivée de l'eau.
3. Couper l'alimentation de courant électrique à l'interrupteur principal.
4. Enlever le récipient de stockage des glaçons pour vider de la glace et de l'eau. Faire le sécher.
5. Dévisser l'écrou de drainage sur l'avant du récipient de stockage des glaçons, vidanger complètement l'eau qui reste, puis resserrer l'écrou après vidange.
6. Enlever le tube de drainage du réservoir de l'eau pour drainer toute l'eau.

7. Laisser la porte ouverte pour permettre la circulation de l'air et prévenir la formation de moisissures et taches d'humidité.
8. Laisser la ligne d'alimentation de l'eau et le câble d'alimentation débranchés jusqu'à la réutilisation.

**IMPORTANT:**

- *Ne pas toucher la prise de courant quand vos mains sont mouillées.*
- *Ne jamais débrancher l'unité en tirant sur la prise.*

## Entretien et Nettoyage

### ATTENTION

Si l'appareil reste inutilisé pendant longtemps, il faut le nettoyer à fond avant de le remettre en service. Suivre soigneusement toutes les instructions fournies pour le nettoyage ou l'utilisation de solutions désinfectantes. Ne pas laisser des solutions à l'intérieur de l'appareil après nettoyage.

Le nettoyage périodique et un entretien correct assureront l'efficacité, les performances maximum et une longue durée de vie. Les intervalles d'entretien indiqués sont prévus pour des conditions normales. Ces intervalles peuvent être raccourcis en cas d'inconvénients ou, si l'appareil est utilisé au grand air ou pour d'autres considérations spéciales.

#### **Ce qu'il ne faudrait pas faire**

Ne jamais garder dans le récipient de stockage autres choses que les glaçons: les objets tels que les bouteilles de vin ou de bière non seulement ne sont pas hygiéniques, mais en plus les étiquettes peuvent se décoller et obstruer le drainage.

#### **Ce qui doit être gardé propre**

Il y a 5 choses qui doivent rester propres:

1. L'extérieur
2. L'intérieur
3. Le condenseur
4. Le tube pour la distribution d'eau
5. Le système de fabrication de la glace.

### AVERTISSEMENT

Avant de procéder aux opérations de nettoyage et entretien, s'assurer que le câble d'alimentation est débranché et que l'arrivée d'eau est fermée.  
(EXCEPTION: Nettoyage du système de fabrication de la glace)

## *Nettoyage extérieur*

La porte et le meuble peuvent être nettoyés avec un détergent doux dissous dans l'eau chaude : par exemple 1 once de détergent pour vaisselle mélangé à 2 gallons (7,5 litres) d'eau chaude. Ne pas utiliser des produits de nettoyage à base de solvants ou abrasifs. Utiliser une éponge douce et rincer à l'eau propre. Essuyer avec un chiffon propre pour éviter la formation de taches d'eau. L'acier inoxydable peut se décolorer par exposition au chlore gazeux et il devrait être nettoyé. Nettoyer l'acier inoxydable avec un chiffon trempé dans un détergent doux dilué dans l'eau chaude. Ne jamais utiliser des produits de nettoyage abrasifs.

## *Nettoyage intérieur*

Le récipient de stockage des glaçons devrait être désinfecté de temps en temps. Nettoyer le réservoir de l'eau avant d'utiliser l'appareil pour la première fois et lors de la remise en service après une longue période d'inactivité. Normalement il est mieux de désinfecter le réservoir après le nettoyage du système de fabrication de la glace et avec le récipient de stockage vide.

1. Couper le courant d'alimentation de l'appareil.
2. Ouvrir la porte et enlever le récipient amovible. Avec un chiffon propre, nettoyer l'intérieur de la unité avec une solution désinfectante préparé avec 1 once d'eau de Javel et 2 gallons d'eau chaude (de 95° à 115° F).
3. Rincer à fond avec de l'eau propre.
4. Dévisser l'écrou inférieur de drainage au devant de la unité pour drainer l'eau complètement dans un seau.
5. Mettre le récipient nettoyé et vidé à l'intérieur de la unité.
6. Brancher l'alimentation de l'appareil.

La pelle à glaçons sera lavée régulièrement. La laver comme n'importe quel récipient pour aliments.



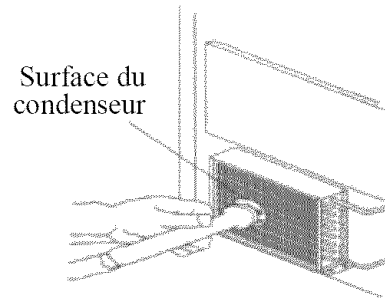
### **AVERTISSEMENT**

NE PAS utiliser à l'intérieur des produits de nettoyage à base de solvants ou abrasifs. Ces produits peuvent transmettre un goût aux glaçons ou endommager ou décolorer l'intérieur.

## *Nettoyage du condenseur*

Un condenseur sale ou obstrué empêche la circulation correcte de l'air, réduit la capacité de production de la glace et provoque des températures de fonctionnement plus élevées de celles qui sont recommandées et qui peuvent endommager un composant. Nettoyer le condenseur au moins une fois tous les six mois.

1. Débrancher l'appareil ou couper le courant.
2. Dévisser les 2 vis le long du fond de la couverture de devant et enlever-la doucement.
3. Repérer le filtre du condenseur. Ceci peut être soulevé hors de la unité et nettoyé avec une brosse ou l'eau courante.
4. Enlever la saleté et les peluches des ailettes du condenseur et du compartiment en s'aidant de la brosse d'un aspirateur.
5. Remettre à ses places le filtre et la couverture de devant.
6. Brancher l'appareil ou alimenter le courant.



## **AVERTISSEMENT**

NE PAS toucher les ailettes du condenseur. Elles sont tranchantes et c'est facile de les endommager.

### ***Nettoyage du tube pour la distribution d'eau***

Quand les glaçons sont incomplètement formés ou la production de glaçons est basse, le tube pour la distribution d'eau peut être bloqué. Mettre l'interrupteur ICE/OFF/WASH à la position OFF, tourner le tube pour la distribution d'eau, et repérer les trous dans le tube. Avec l'utilisation d'un cure-dent ou d'un outil similaire, draguer les trous, alors tourner le tube pour la distribution d'eau à sa position originale. Si le tube est mal bloqué, le nettoyer comme suit:

1. Fermer l'alimentation en eau.
2. Débrancher le tuyau d'eau du tube pour la distribution d'eau.
3. Soulever le côté droit, alors enlever le tube pour distribution.
4. Avec une brosse, nettoyer le tube avec une solution diluée d'eau chaude et un détergent doux tel que le liquide pour le lavage des vaisselles. Après avoir enlevé les saletés de la surface, rincer le tube avec l'eau pure.
5. Remplacer le tube pour distribution.
6. Reconnecter l'alimentation d'eau.

### ***Nettoyage du système de fabrication de la glace***

Les sels minéraux extraits de l'eau pendant le cycle de congélation pourront former un dépôt d'entartrage dur dans le système de l'eau. Le nettoyage régulier du système contribue à l'élimination de ce dépôt d'entartrage. La fréquence de nettoyage du système

dépend de la dureté de l'eau utilisée et l'efficacité de votre filtrage. Avec de l'eau d'une dureté comprise entre 15 et 20 grains/gal. (de 4 à 5 grains/litre), il est possible que le système doive être nettoyé une fois tous les six mois.

1. Vérifier que il n'y a pas de la glace sur l'évaporateur. Si la machine est en train de fabriquer la glace, attendre que le cycle soit complété, alors éteindre la machine en mettant l'interrupteur ICE/OFF/WASH à la position OFF .
2. Enlever toute la glace du récipient de stockage des glaçons.
3. Garder l'unité connectée à l'alimentation d'eau. Verser 8 onces de « Nickel-Safe Icemaker Cleaning Solution » dans le réservoir de l'eau. Après environ 5 minutes, inaugurer le cycle de lavage à l'interrupteur ICE/OFF/WASH en le changeant à la position de WASH. La machine fonctionnera à la mode « Automatic Clean » (Nettoyage automatique).
4. Laisser fonctionner pendant 30 minutes pour un bon nettoyage. Après nettoyage, apager la unité en changeant l'interrupteur ICE/OFF/WASH à la position de OFF. Vidanger l'eau à éliminer dans un récipient au moyen du tuyau de drainage au devant du réservoir de l'eau. NOTE: Ne pas égoutter l'eau usée à l'intérieur de la machine. .
5. Répéter les phases 3 et 4 (sans produit de nettoyage) pour rincer 3 fois le système de fabrication de la glace.

*NOTE: Lors du rinçage ne pas utiliser le produit de nettoyage dans le réservoir de l'eau.*

## **AVERTISSEMENT**

Le produit de nettoyage de l'appareil contient des acides.

NE PAS utiliser ou mélanger avec d'autres produits de nettoyage à base de solvants.

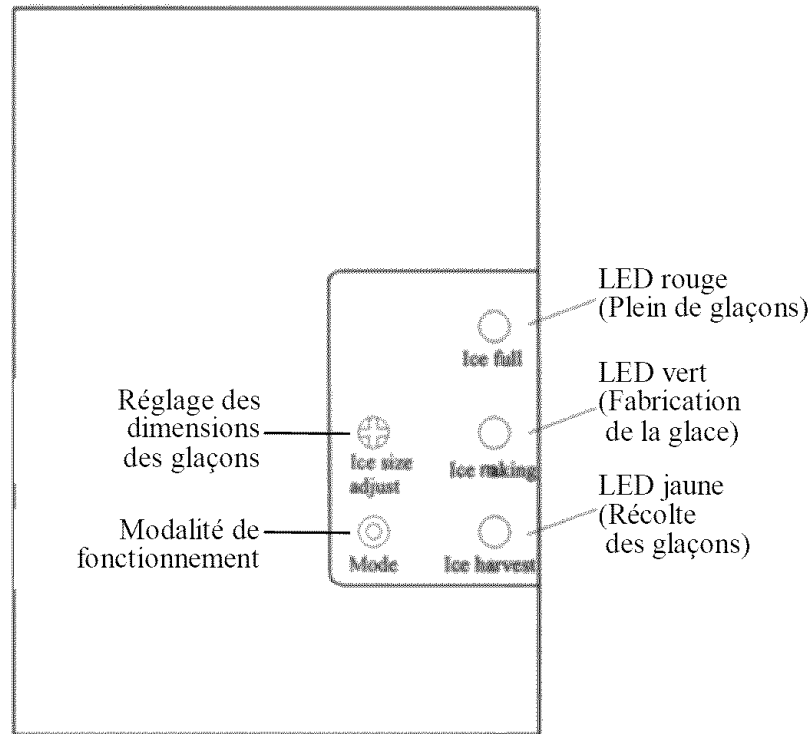
Utiliser des gants en caoutchouc pour la protection des mains. Lire attentivement les instructions sur le récipient du produit de nettoyage.

REJETER le premier lot de glace produit après le nettoyage.

6. Préparer une solution désinfectante avec 1 once d'eau de Javel et 2 gallons d'eau chaude (de 95° à 115° F). Nettoyer tout l'intérieur et l'extérieur du récipient de stockage en agissant sur toutes les surfaces des parois.
7. Remplir de solution désinfectante une bouteille pourvue d'un nébuliseur et asperger tous les recoins et les angles en recouvrant soigneusement toutes les surfaces avec la solution.
8. Laisser la solution en contact pendant au moins 3 minutes, puis sécher.

9. Répéter la phase 5 pour rincer encore une fois le système de fabrication de la glace.
10. Mettre l'interrupteur ICE/OFF/WASH à la position ICE. La machine retourne au mode normal de fabrication de la glace. Jeter le premier lot de glaçons.

**Tableau de contrôle** (à l'arrière de la unité)



**Instructions pour les diodes LED et les boutons:**

1. **LED rouge :** Voyant qui indique le plein de glaçons  
 Quand ce LED est allumé, le récipient de stockage des glaçons est plein de glace ou quelque chose encombre la sonde de plein de glace. L'appareil cesse de fonctionner. Quand les glaçons sont prélevés du récipient de stockage, en dégageant la sonde, le LED rouge clignotera pendant 3 minutes. Puis l'appareil recommence à fonctionner en modalité de fabrication de la glace.
2. **LED vert :** Voyant de fabrication de la glace  
 Quand ce LED est allumé, l'appareil fonctionne en modalité de fabrication de la glace contrôlée par une sonde de température sur l'évaporateur. Quand le LED vert clignote, l'appareil fonctionne en modalité de fabrication de la glace contrôlé par une minuterie fixe.
3. **LED jaune :** Voyant indicateur de la récolte des glaçons  
 Quand ce LED est allumé, l'appareil fonctionne en modalité de récolte des glaçons contrôlé par la sonde de plein de glace.

Quand les LEDs vert et jaune sont allumés, la unité fonctionne en la phase de conservation du froid.

4. **Bouton de la modalité de fonctionnement :** Prévu surtout pour l'entretien. En pressant ce bouton l'appareil passe de la modalité de fabrication de la glace à celle de récolte et vice versa. On peut vérifier le mode de fonctionnement en observant l'état des LEDs vert et jaune.
5. **Réglage des dimensions des glaçons :** Tourner la vis dans la direction des aiguilles de la montre pour augmenter la dimension des glaçons au cycle suivant; le temps du cycle sera plus long. En tournant la vis en sens inverse la dimension des glaçons sera inférieure au cycle suivant.

*IMPORTANT:*

- *Ce n'est pas une bonne idée que de modifier souvent les dimensions des glaçons sans une bonne raison, car le dispositif de contrôle peut s'endommager.*
- *Éviter que l'eau entre en contact avec le tableau de contrôle.*

## Fonctions principales

1. Procédure de fonctionnement complètement automatique.
2. Quand le récipient de stockage des glaçons est plein, la machine cesse automatiquement de fabriquer des glaçons et poursuit à la phase de conservation du froid. Elle redémarre quand les glaçons ont été prélevés.
3. Quand le plateau de drainage sur le compresseur est plein d'eau, la machine cesse de fonctionner et alarme aux intervalles réguliers. La machine reprend le fonctionnement seulement quand vous drainez l'eau en dévissant l'écrou inférieur de drainage.
4. Les couleurs différentes des voyants LED indiquent les modalités fonctionnelles.
5. Le ventilateur répond à la température ambiante. S'il fait froid, le moteur stoppera pour maintenir le système de refroidissement en bon état de marche.
6. Possibilité de régler les dimensions des glaçons.
7. Une sonde sensible et un timer précis améliorent les performances de l'appareil.
8. Système de protection du compresseur incorporé.



# Solution des problèmes

## *Avant d'appeler le service d'entretien*

Si le fonctionnement de l'appareil semble douteux, lire d'abord la section FONCTIONNEMENT de ce manuel. Si le problème persiste, vérifier la section de SOLUTION DES PROBLÈMES ici et à la page suivante. Le problème pourrait être quelque chose de très simple qui peut être résolu sans appeler le service d'entretien.

## Guide à la solution des problèmes

Problème	Cause possible	Remède probable
L'appareil ne fonctionne pas.	La fiche est débranchée.	Brancher la fiche.
	Le fusible a sauté.	Remplacer la fusible – si cela se répète, appeler l'entretien pour vérifier s'il y a une courte-circuit dans l'appareil.
	L'interrupteur de l'appareil est sur « OFF ».	Amener l'interrupteur de l'appareil sur « ICE ».
	Le récipient de stockage des glaçons est plein.	Enlever quelques glaçons; vérifier que la sonde de plein est libre de glace.
	Le plateau de drainage sur le compresseur est plein d'eau.	Egoutter l'eau en dévissant l'écrou inférieur de drainage.
L'eau n'arrive pas après le démarrage de l'appareil.	Le robinet d'alimentation en eau est fermé.	Ouvrir le robinet d'alimentation en eau.
	Le tube d'arrivée de l'eau n'est pas bien branché.	Vérifier le branchement du tube d'alimentation en eau.
L'appareil prépare la glace, mais le récipient de stockage ne se remplit pas de glaçons.	Le condenseur peut être sale.	Nettoyer le condenseur.
	Le passage de l'air à l'appareil peut être obstrué.	Vérifier l'installation.
	La température ambiante et la température de l'eau sont élevées ou la machine est en proximité d'une source de chaleur.	Vérifier l'installation.

<b>Problème</b>	<b>Cause possible</b>	<b>Remède probable</b>
Fuites d'eau par l'appareil	Quelques gouttes d'eau tombent sur le plancher quand on ouvre la porte pour prélever les glaçons du récipient de stockage.	Condensation normale sur la porte ou un peu d'eau avec la glace. Faire attention quand on sort les glaçons.
	Fuite du branchement d'alimentation en eau.	Serrer les joints. Voir « Branchement de l'alimentation en eau ».
Les glaçons sont partiellement formés ou ils sont blancs au fond.	Quantité d'eau insuffisante dans le réservoir de l'eau.	Vérifier que la pression de l'eau n'est pas inférieure à 15 psig.
		Vérifier que le filtre sur l'eau d'alimentation n'est pas colmaté.
		Vérifier l'absence de fuites d'eau sur le réservoir.
Bruit pendant le fonctionnement	Les pieds ne sont pas à niveau et bloqués.	Mettre à niveau et bloquer les pieds; voir « Mise à niveau de l'appareil ».
	Certains bruits indiquent un fonctionnement normal.	Voir « Bruits qui indiquent un fonctionnement normal ».
L'appareil s'arrête tout à coup pendant la fabrication de la glace.	L'électricité est coupée.	Brancher l'alimentation.
	La température ambiante est en dehors des limites prescrites.	Couper l'électricité; laisser l'appareil à l'arrêt jusqu'à ce que la température redevienne normale.
	Le récipient de stockage des glaçons est plein de glace.	Enlever des glaçons; vérifier que la sonde de plein de glace est dégagé de glace.
	Le plateau de drainage sur le compresseur est plein d'eau.	Egoutter l'eau en dévissant l'écrou inférieur de drainage.
Le corps de l'appareil est électrisé.	Le câble de terre n'est pas branché.	Utiliser une prise correspondante aux normes électriques requises.
Entartrages fréquents dans la machine.	La dureté de l'eau trop élevée.	Utiliser un adoucisseur en amont de l'entrée de l'eau.
La machine sonne une alarme régulièrement.	Le plateau de drainage sur le compresseur est plein d'eau.	Egoutter l'eau en dévissant l'écrou inférieur de drainage.

# Garantie limitée

Franklin Industries, LLC, garantit que ce produit est exempt de défauts de matériel et de main-d'œuvre pour une période de 1 an à partir de la date de l'achat original ou de la livraison. Toutes pièces avérées comme défectueuses seront remplacées ou réparées, à sa discrétion seule, gratuitement par Franklin Industries, LLC, à condition qu'il soit démontré que l'appareil a été utilisé en respectant les instructions en annexe ou livrées avec le produit. Si l'unité se révèle défectueuse, vous devriez d'abord suivre la règle de retour du détaillant.

Cette garantie couvre uniquement les États-Unis et ne concerne pas les éléments suivants :

- Dommages dus à un voltage ou une installation incorrecte
- Dommages dus au transport
- Défauts autres que les défauts de fabrication
- N'importe quelles dépenses d'installation qui peuvent être contractées
- Main-d'œuvre ou réparations après la période initiale de 12 mois
- Dommages dus à des abus, utilisation incorrecte, accidents, modifications ou manque des soins appropriés ou d'entretien
- Entretien ou réparations impropres ou exécutés inexactement
- Usage de pièces pas recommandées par Franklin Industries, LLC
- Dégâts grâce aux actes de Dieu.

Cette garantie limitée remplace toutes autres garanties expresses ou implicites. Cette garantie ne couvre pas les dommages dus à des accidents ou aux conséquences. Certains pays n'autorisent pas de l'exclusion ou limitation des dommages accidentals ou conséquents, par conséquent les limitations ou exclusions indiquées ci-dessus peuvent ne pas s'appliquer.

Cette garantie assure au client des droits légaux spécifiques et le client peut avoir d'autres droits qui varient d'un état à l'autre. Consulter les matériels écrits qui accompagnent votre produit pour l'opération sûre et propre.

Cette garantie ne peut pas être assignée.

Pour les services sous garantie, contacter:

**Franklin Industries, LLC**

4100 First Avenue

Brooklyn, NY 11232-3321

Tel.: 1-888-424-8278

E-mail: [customerservice@franklinchef.com](mailto:customerservice@franklinchef.com)

Lors de la requête de services, avoir sous la main les chiffres qui indiquent le modèle et le numéro de série de l'appareil, gravés sur la plaque d'identification à l'arrière de l'appareil, ainsi que la preuve d'achat tel qu'un reçu de vente ou de cadeau.



Tested and certified to NSF standard 12 by NSF International

Probado y certificado por NSF International de acuerdo con la norma NSF 12

Testé et homologué par NSF International contre la norme NSF12