

# Assembly Instructions

## Apex Office Desk - Glass Top

- Before you begin to assemble your new piece of furniture, please check to ensure that all parts have been supplied.
- Follow instructions closely as deviation from them may void your warranty and present a possible safety risk.
- It is recommended that assembly is done on a soft surface like carpet to avoid any damage.
- If you experience any problems with your new purchase please phone our Customer Service Hotline 1800 807 416 (Customers outside Australia should contact their closest Freedom store.)

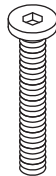
### Care Information

Periodically check and re-tighten any fasteners. Wipe down all surfaces weekly with a clean cloth. Do not clean any surfaces with harsh abrasives or chemicals.

### Hardware



4 x Part A



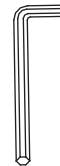
8 x Part B



4 x Part C

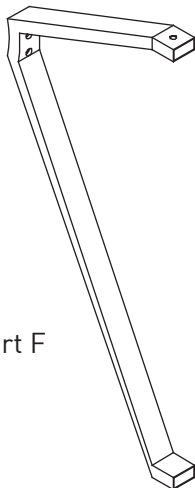


4 x Part D

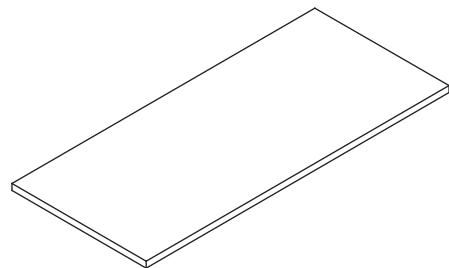


1 x Part E

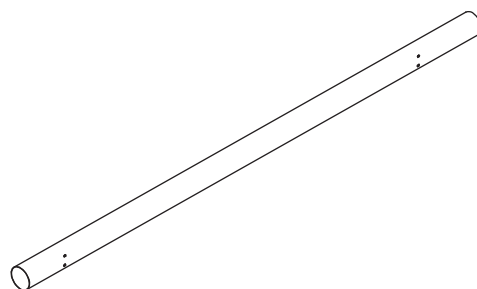
### Parts



4xPart F



1xPart G

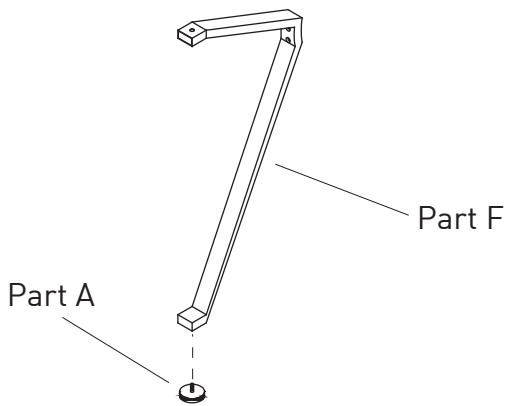


1xPart H

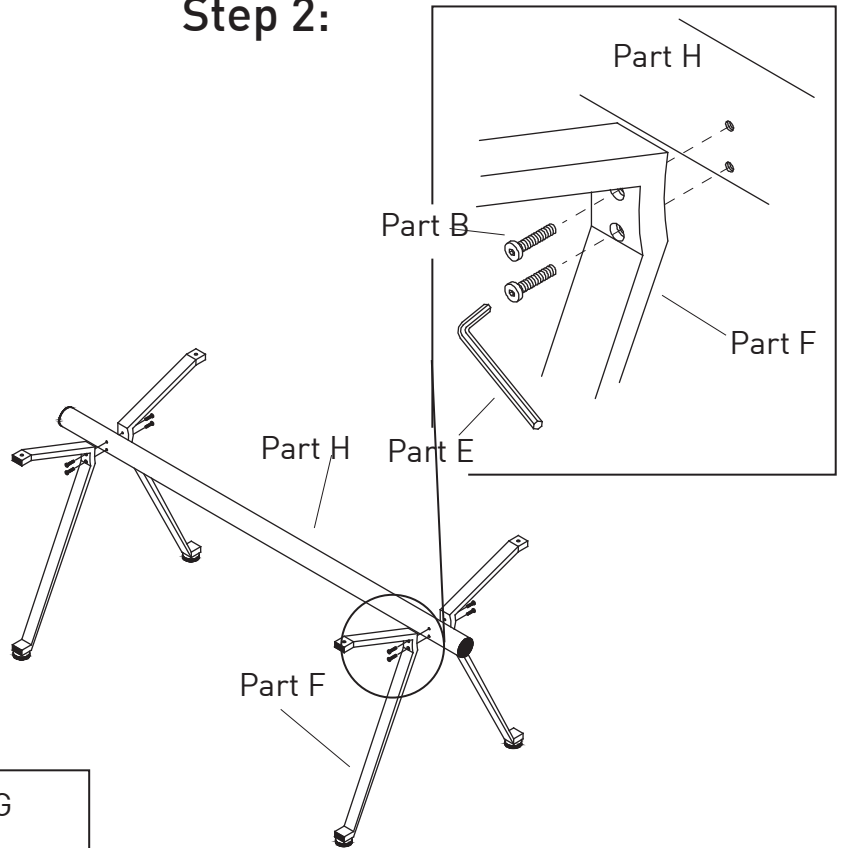
# Assembly Instructions

Apex Office Desk - Glass Top

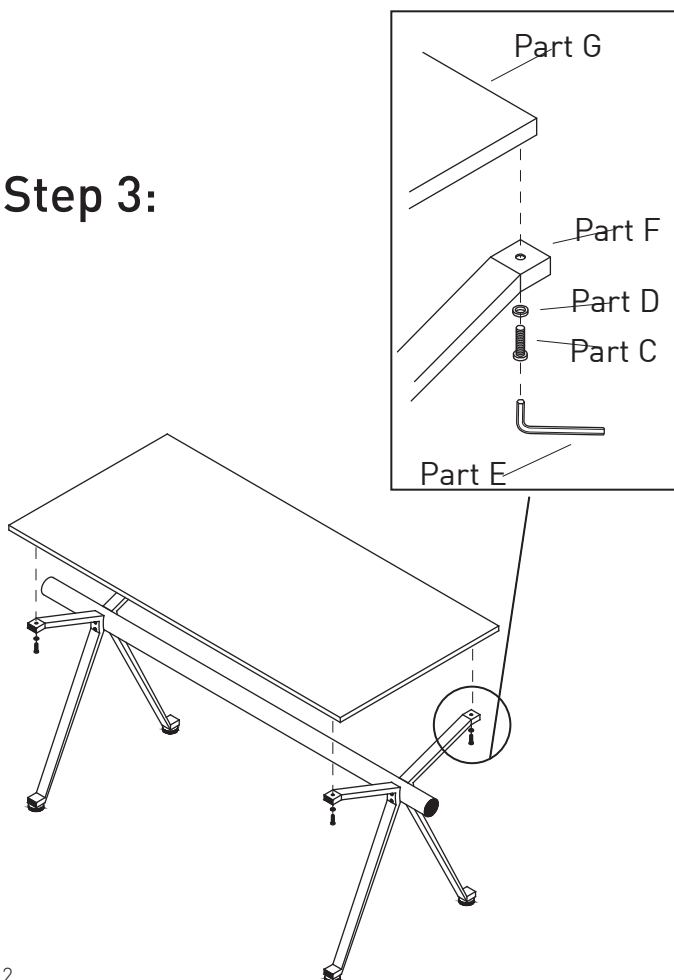
## Step 1:



## Step 2:



## Step 3:



## Finished :

