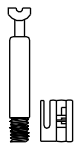


- Before you begin to assemble your new piece of furniture, please check to ensure that all parts have been supplied.
- Follow instructions closely as deviation from them may void your warranty and present a possible safety risk.
- It is recommended that assembly is done on a soft surface like carpet to avoid any damage.
- If you experience any problems with your new purchase please phone our Customer Service Hotline 1800 807 416 (Customers outside Australia should contact their closest Freedom store.)

**Care Infotmation:** Periodically check and re-tighten all fasteners. Wipe down surfaces with a clean cloth weekly.

**Assembly Information:** A screwdriver is required to complete assembly.

## Hardware



8 x  
Part A



6 x  
Part B



1 x  
Part C



4 x  
Part D  
M8 x 75 mm



4 x  
Part E  
(no thread)



4 x  
Part F  
M8 x 90mm



1 x  
Part G



1 x  
Part H



4 x  
Part I



4 x  
Part J  
(Threaded)



8 x  
Part K

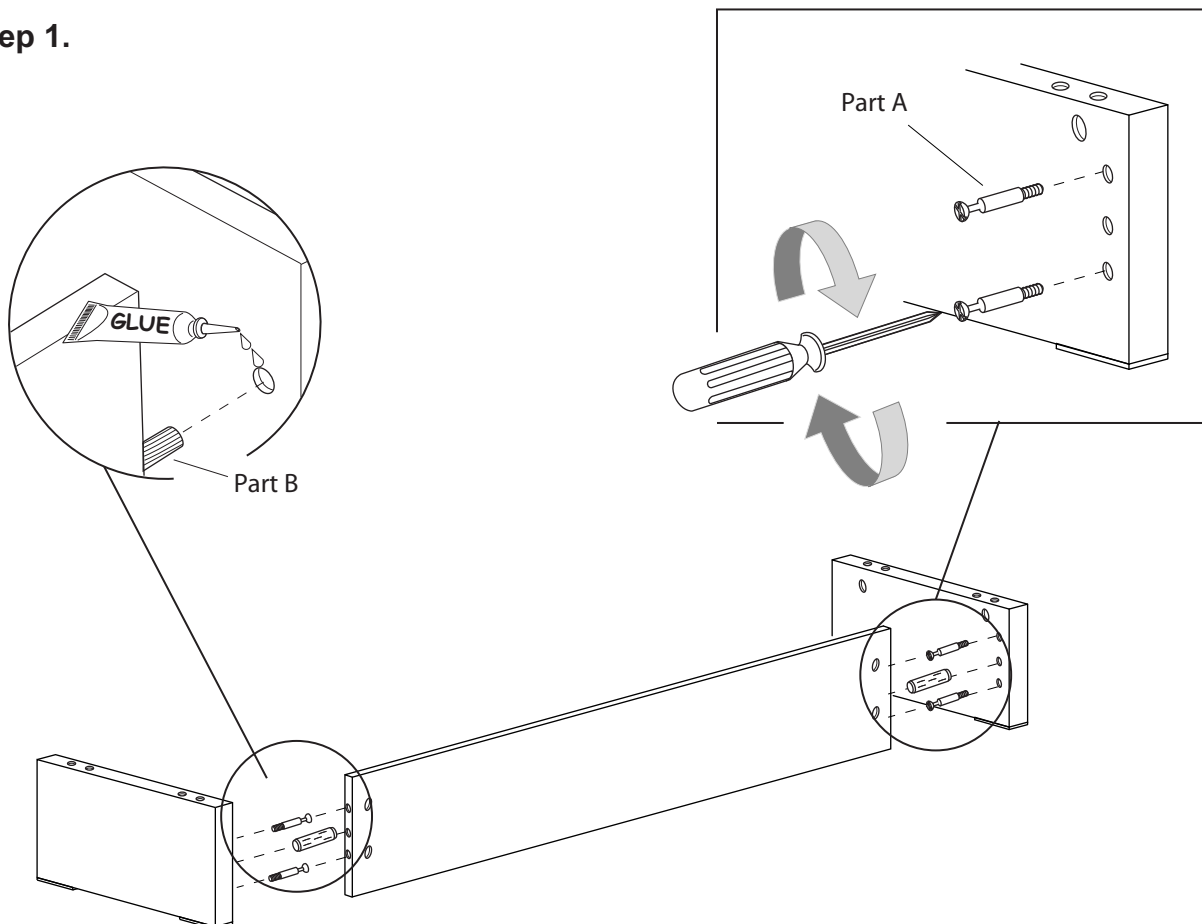


4 x  
Part L  
22mm Ø

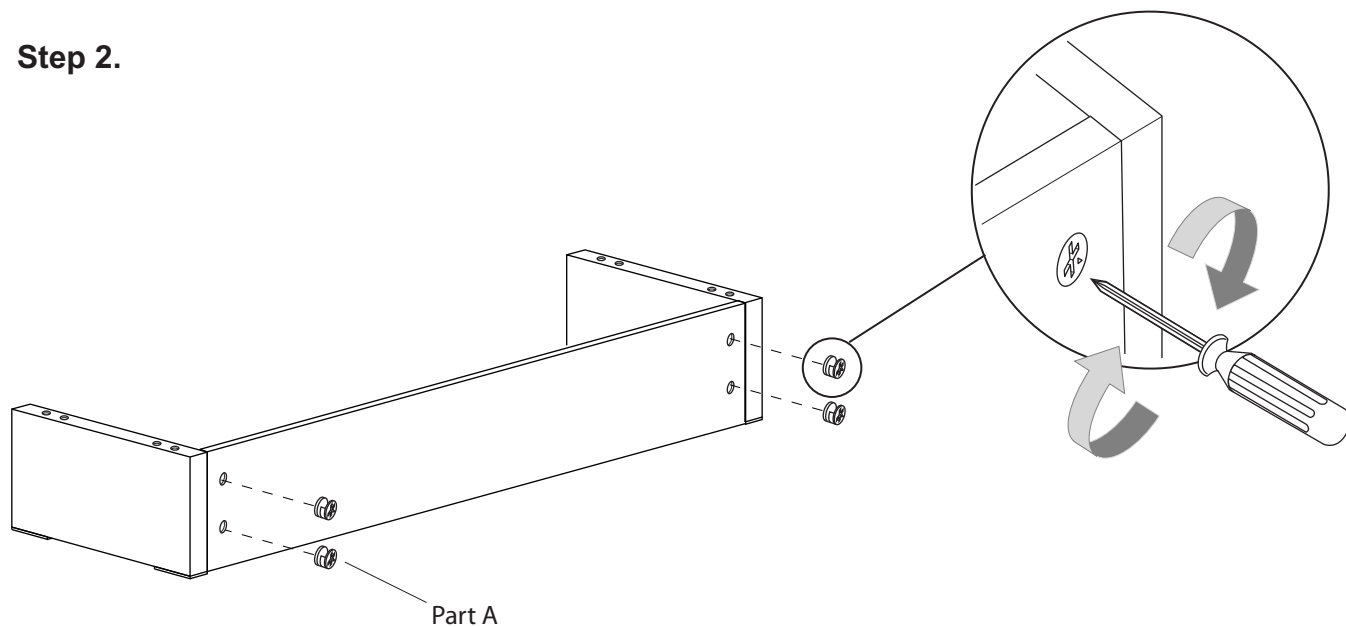


6 x  
Part M

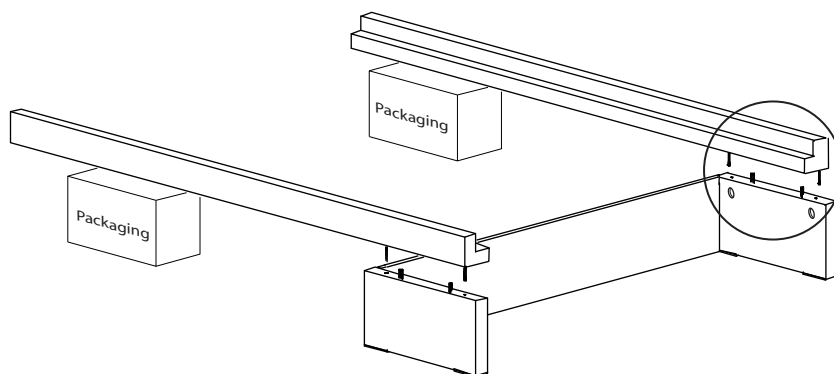
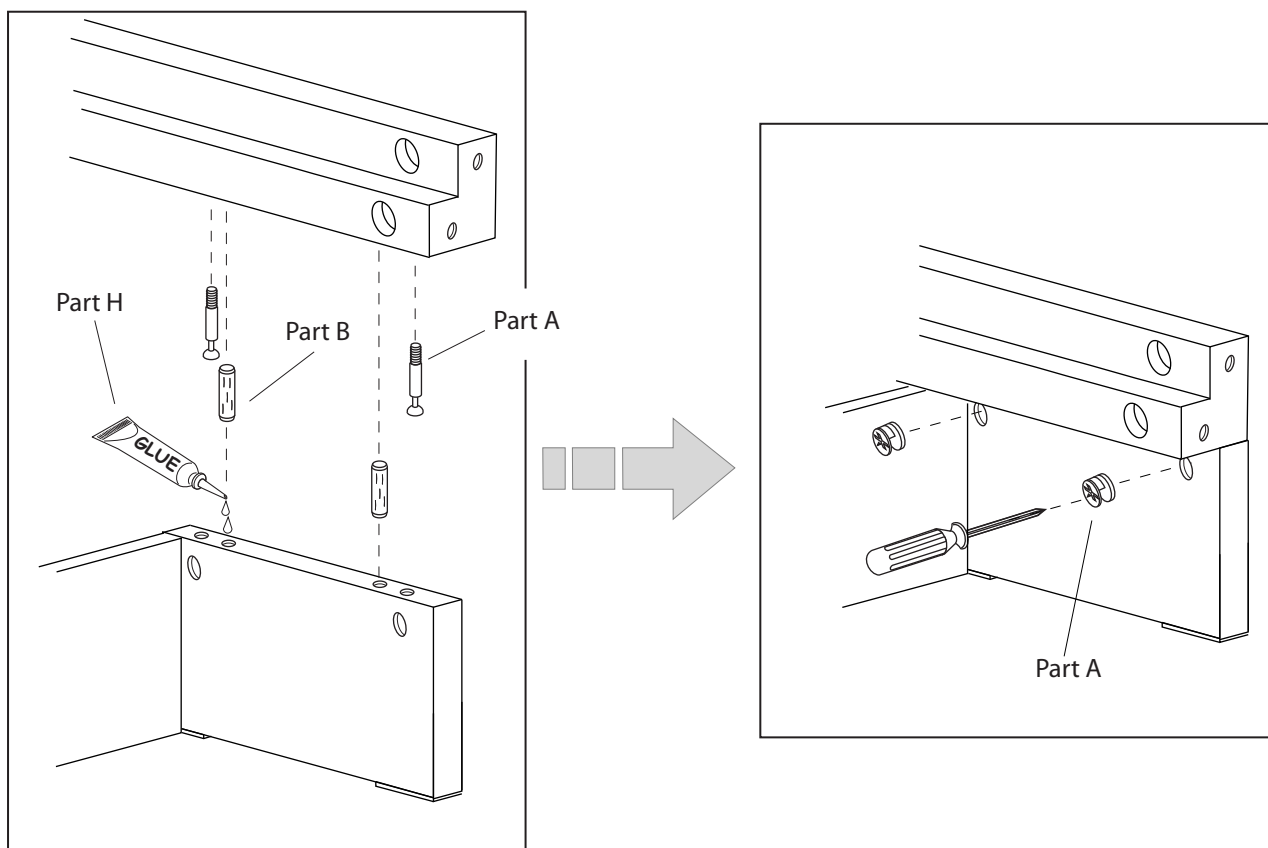
## Step 1.



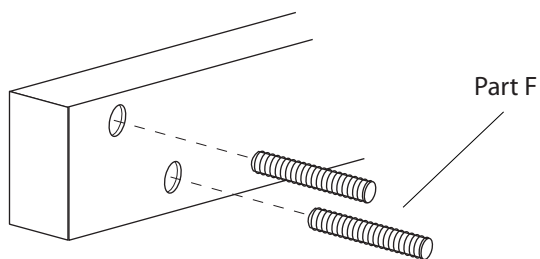
### Step 2.



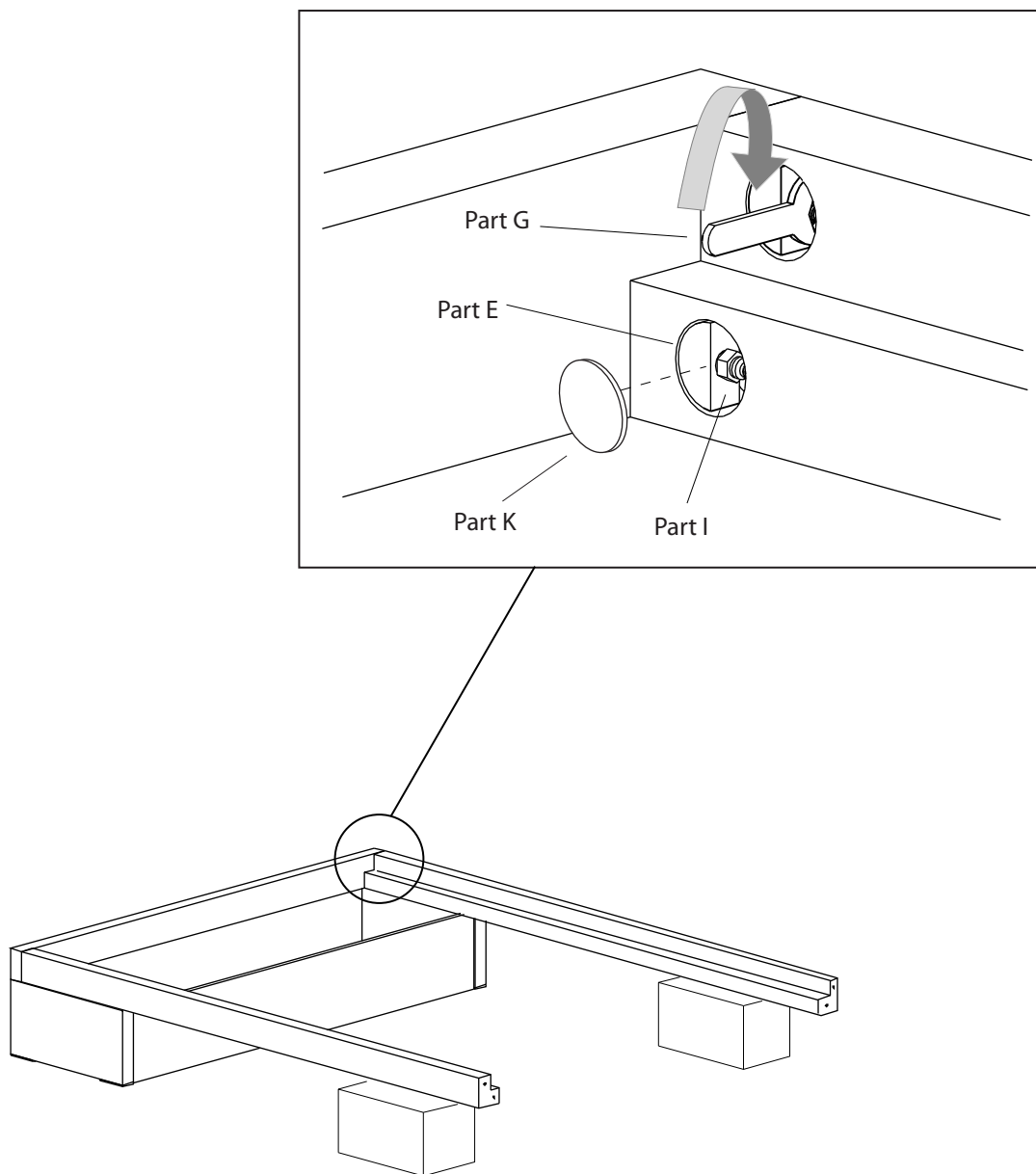
### Step 3.



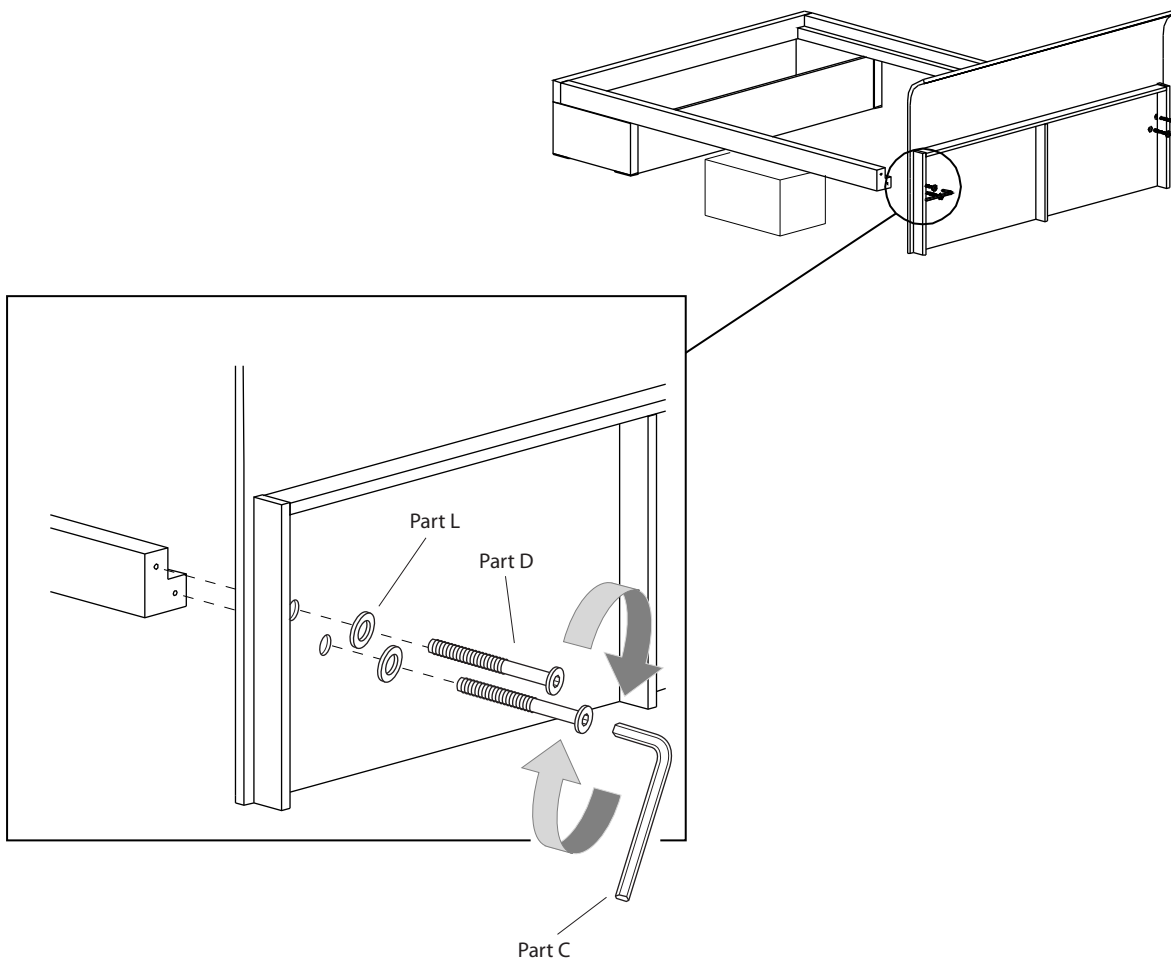
**Step 4.**



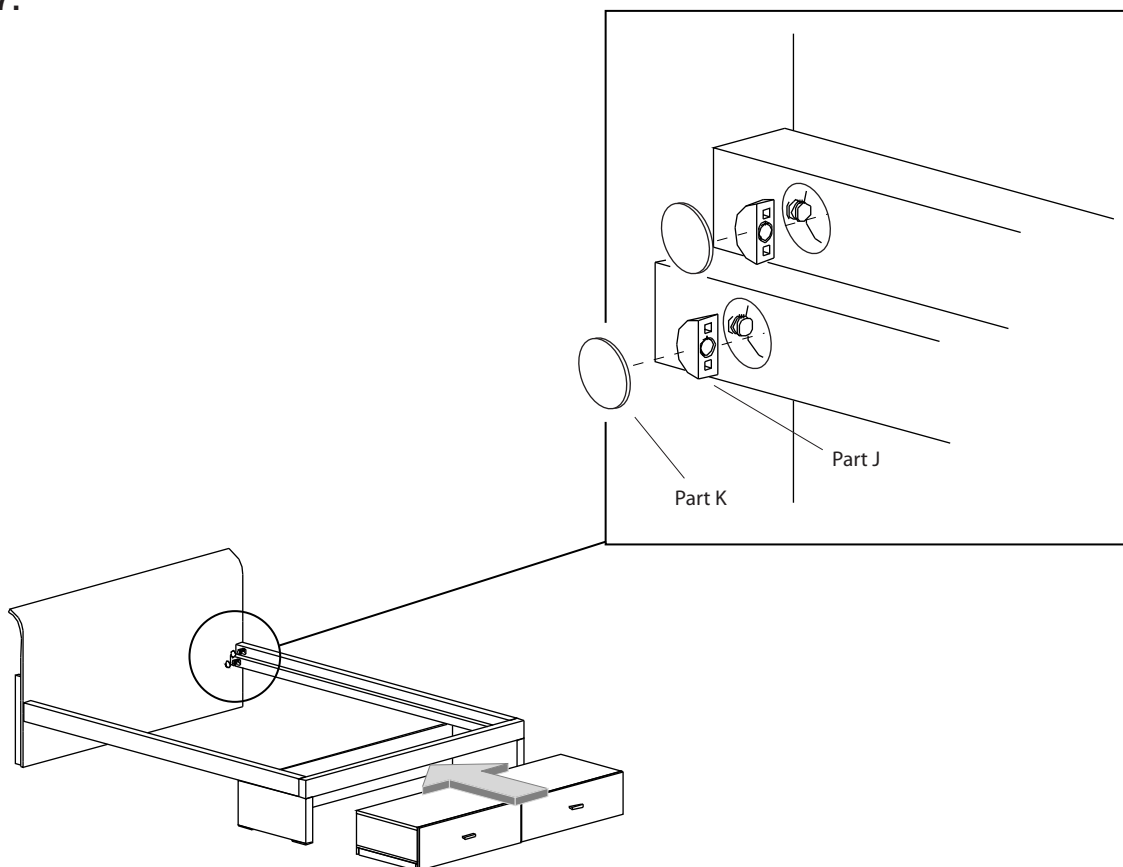
**Step 5.**



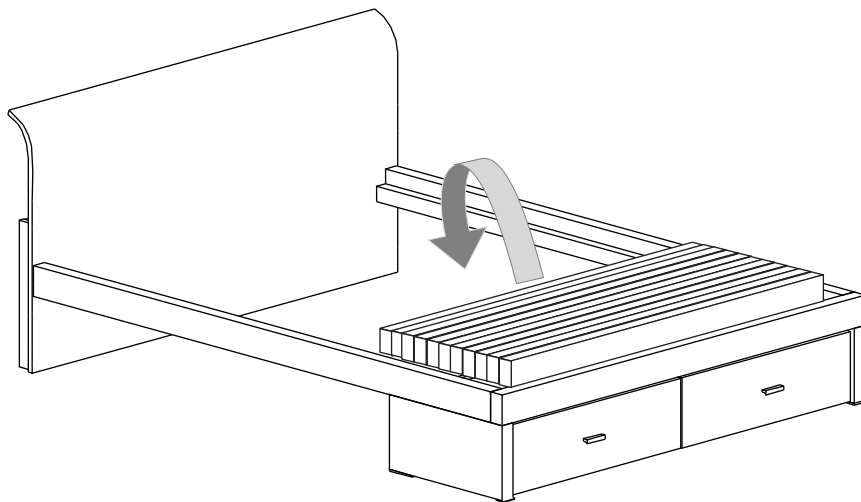
## Step 6.



## Step 7.



Step 8.



Step 9.

