

Assembly Instructions

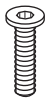
Typhoon Desk

- Before you begin to assemble your new piece of furniture, please check to ensure that all parts have been supplied.
- Follow instructions closely as deviation from them may void your warranty and present a possible safety risk.
- It is recommended that assembly is done on a soft surface like carpet to avoid any damage.
- If you experience any problems with your new purchase please phone Freedom Customer Service (FCS) on 1300 135 588 (Customers outside Australia should contact their closest Freedom store.)

Care Information:

Periodically check and re-tighten all fasteners. Wipe down surfaces using a clean cloth weekly. Avoid direct sunlight.

Hardware



Part A x 12



Part B x 6



Part C x 1

Parts



Part D x 1



Part E x 1



Part F x 1



Part G x 1

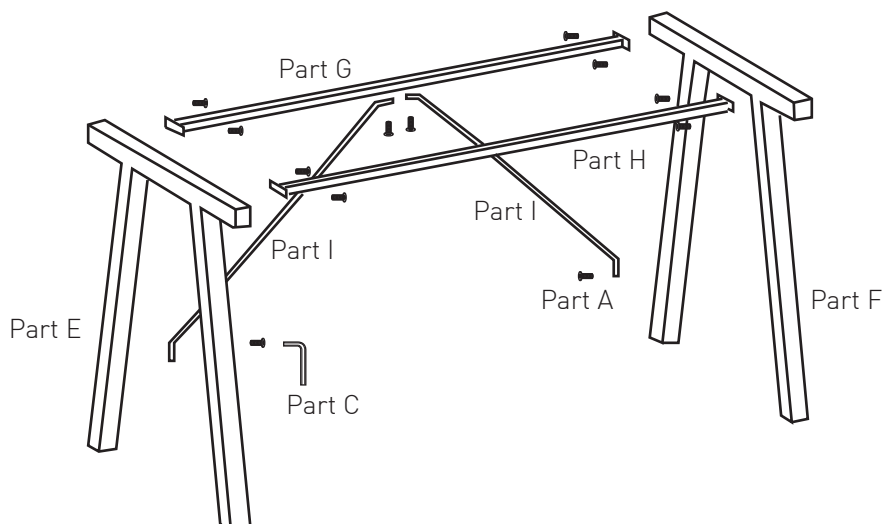


Part H x 1



Part I x 2

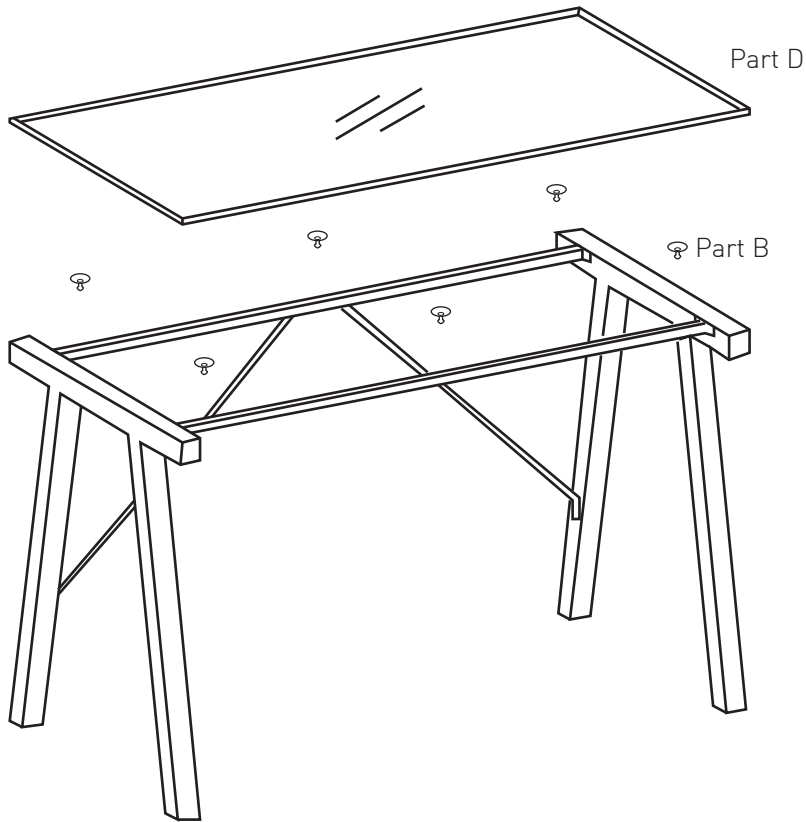
Step 1.



Assembly Instructions

Typhoon Desk

Step 2.



Glass must be fitted with the Matte side facing up and the Smooth Glass side adhered to the suction caps.

Finished.

