

# Assembly Instructions

## Zed Corner

- Before you begin to assemble your piece of furniture, please check to ensure that all parts have been supplied.
- Follow instructions closely as deviation from them may void your warranty and present a possible safety risk.
- It is recommended that assembly is done on a soft surface like carpet to avoid any damage.
- If you experience any problems with your new purchase please phone our Customer Service Hotline 1800 807 416  
(Customers outside Australia should contact their closest Freedom store.)

### Care Information:

Periodically check and re-tighten any fasteners. Wipe down all surfaces with weekly with a clean cloth.

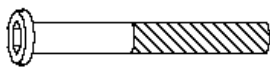
Do not clean any harsh abrasives or chemicals.

Clean Glass using a recognised glass cleaning product. Avoid any overspray. Although Tempered Glass is stronger than normal glass it must still be treated with care.

### Hardware



7 X Part A

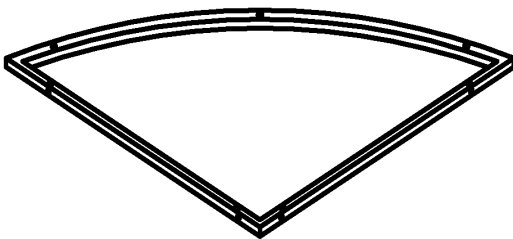


4 X Part B

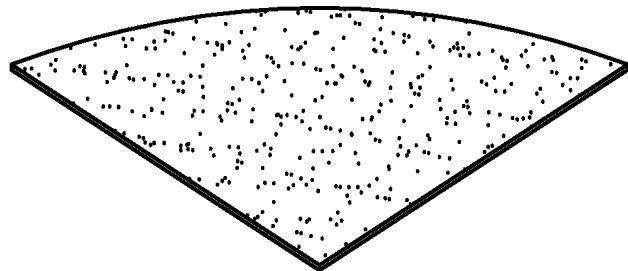


1 X Part C

### Parts



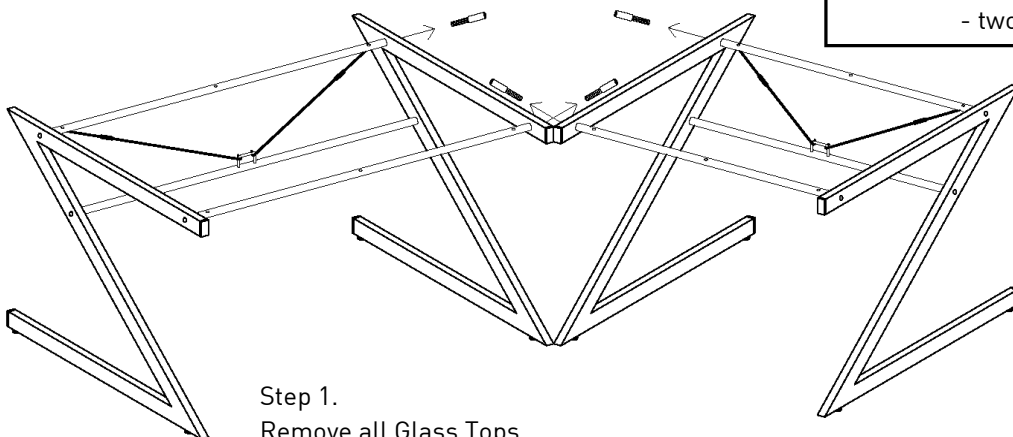
1 X Part D



1 X Part E

The Zed Corner is used to join together:

- two desks
- one desk and one return
- two returns



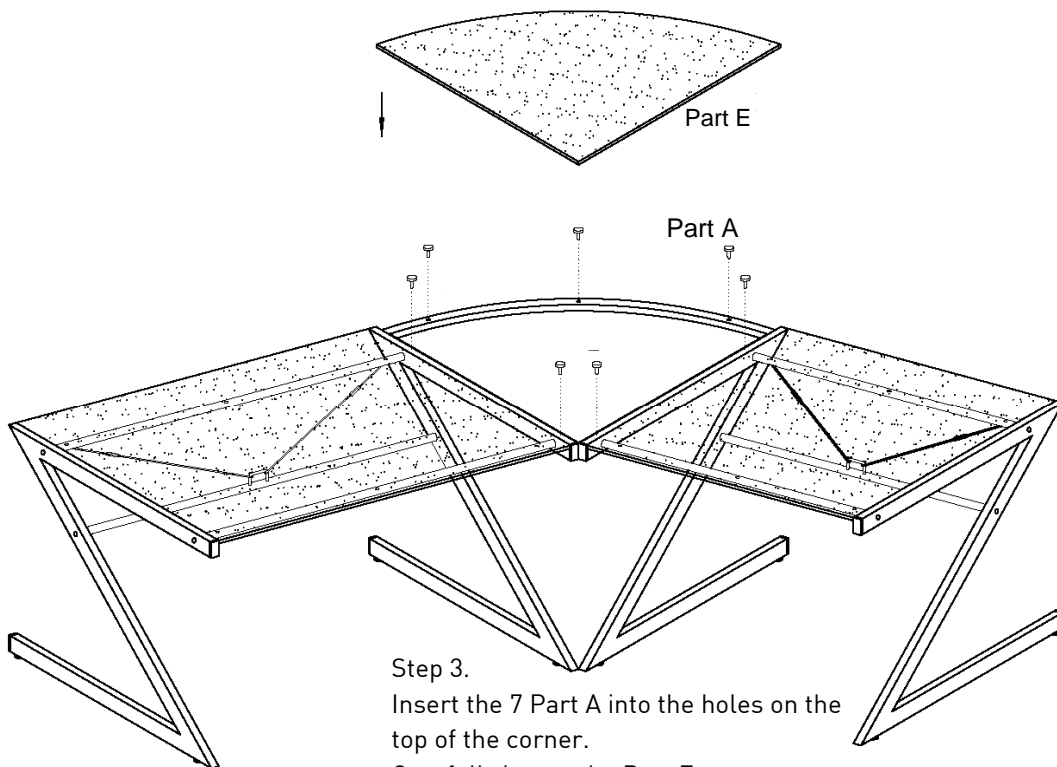
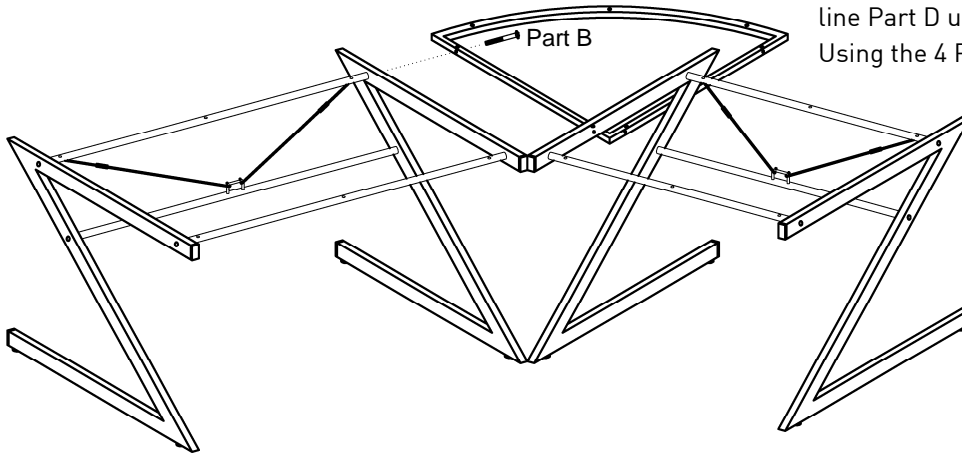
Step 1.  
Remove all Glass Tops.  
Remove Shoulder bolts as shown in diagram.

# Assembly Instructions

## Zed Corner

Step 2.

line Part D up with the holes in the tables.  
Using the 4 Part B attached Part D to the table.



Step 3.

Insert the 7 Part A into the holes on the  
top of the corner.

Carefully locate the Part E onto  
assembled desk.

Finished :

