

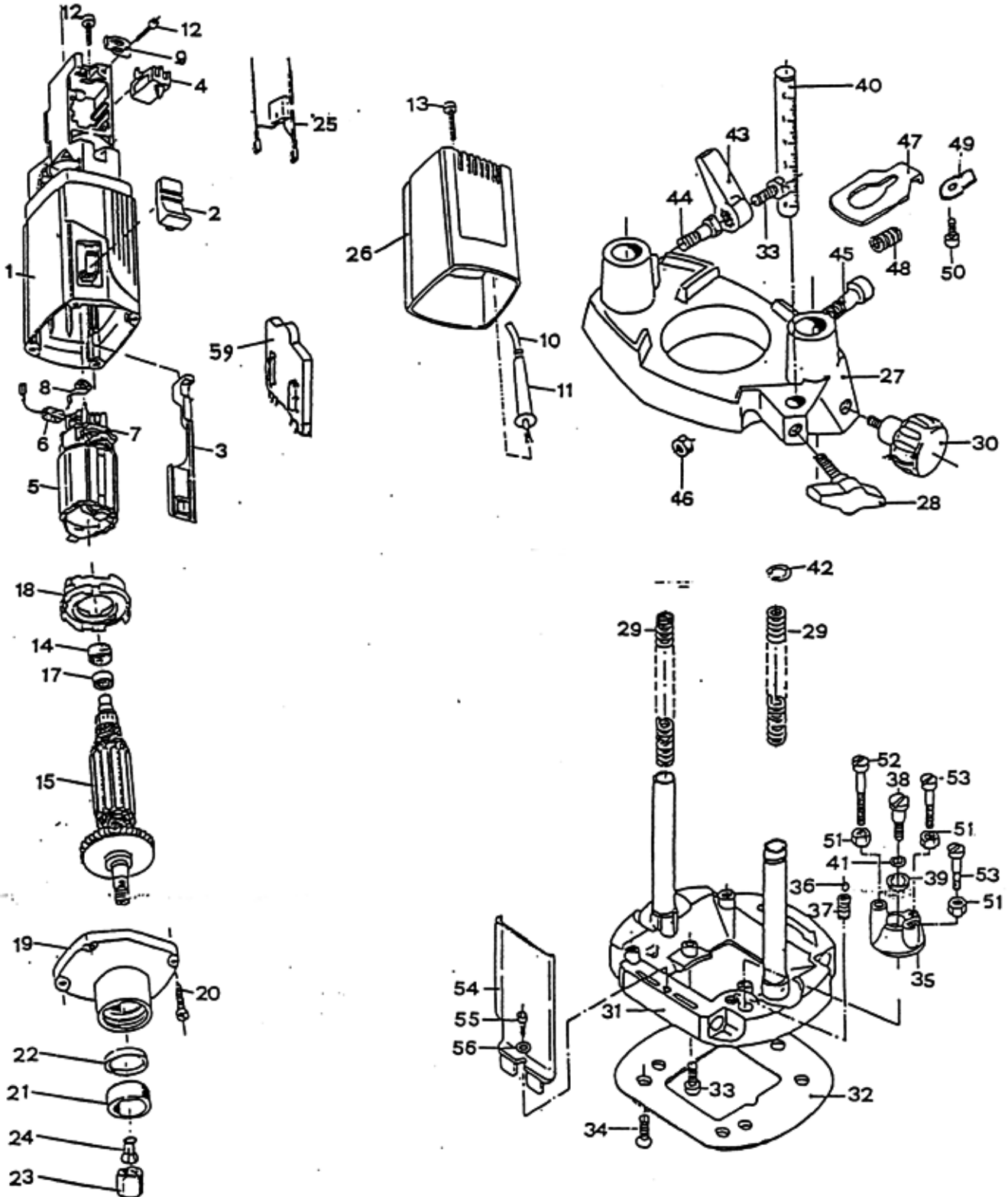
FREUD

LISTA DE RECAMBIOS
SPARE PARTS LIST
LISTE DE RECHANGES

FT1000E

VERSION:1-0

FRESADORA
ROUTER
DEFONCEUSE



LISTA DE RECAMBIOS / SPARE PARTS LIST / LISTE DE PIECES DETACHEES

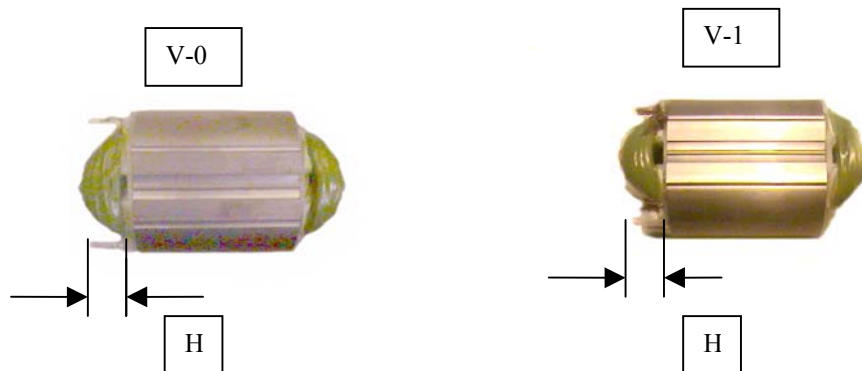
VERSION:1-0

POS.	CODIGO	VERS.	DENOMINACION	PART NAME	DENOMINATION
1	13432.9164		Grup.cubierta motor	motor cover	Couvercle moteur
2	13432.4021		Mando interruptor	Switch control	Cotróle interrupteur
3	13432.4201		Palanca interruptor	Switch lever	Levier interrupteur
4	76325.5021		Interruptor	Switch	Interrupteur
5A	13433.9023	V-0	Estator 230V.	Field 230V.	Stator 230V.
5B	13605.9123	V-1	Estator 230V.	Field 230V.	Stator 230V.
5C	13605.9021		Estator 120v	Field 120V	Stator 120V
6	13017.9071		Escobilla	carbon brush	Balai
7A	13432.9111	V-0	Portaescobillas	brush holder	Porte-balai
7B	13434.9111	V-1	Portaescobillas	brush holder	Porte-balai
7C	13434.9114	V-1	Portaescobillas	brush holder	Porte-balai
8	13431.2251		Muelle escobilla	Brush spring	Ressort balai
9	13413.4231		Brida fijar cable	Cable fastening clamp	Bride
10A	76755.0107		Cable red EU	Power cord EU	Câble prise courant
10B	76767.0105		Cable red UK	Power cord UK	Cable prise courant UK
10C	76750.4100		Cable USA	Power cord USA	Cable prise USA
11	13431.4181		Manguito	Sleeve	Manchon
12	84480.0027		Tornillo 3,5x14TP	Screw 3,5x14TP	Tornillo 3,5x14TP
13	84480.0050		Tornillo 4x20 TP	Screw 4x20 TP	Vis 4x20 TP
14	13013.1601		Anillo goma	Rubber ring	Bague caoutchouc
15A	13605.9033		Inducido 230V	Armature 230V	Induit 230V
15B	13605.9031		Inducido 120V	Armature 120V	Induit 120V
17	71206.0702		Rodamiento 607 ZZ	Ball bearing 607 ZZ	Roulement 607 ZZ
18	13431.2611		Guia aire	Air guide	Guide d'air
19	13604.1013		Cabecal	Gear box	Carter
20	84480.0051		Tornillo 4-4,5x22 TP	Screw 4-4,5x22 TP	Vis 4-4,5x22 TP
21	13604.3381		Tapagrasas delantero	Grease seal	Scellé graisse
22	13604.3371		Tapagrasas rodamiento	Bearing rease seal	Scellé graisse roulement
23	13604.7412		Tuerca pinza	Forcep nut	Écrou pince
24A	13604.7431		Pinza 6mm.	Forcep 6mm.	Pince 6mm.
24B	13604.7433		Pinza 8mm.	Forcep 8mm.	Pince 8mm.
25	13432.9081		Grupo condensador	Condenser group	Grupe condensateur
26A	13431.1061		Casquete azul	Blue cover	Couvercle blue
26B	13431.1063		Casquete verde	Green cover	Couvercle vert
27	13604.5542		Cuerpo soporte	Support body	Corps support
28	13601.3972		Palomilla M6x13	Winged screw	Vis à oreilles M6x13
29	75700.1652		Muelle	Spring	Ressort
30	13260.5632		Puño	Grip	Poignée
31	13604.9751		Base columnas	Columns & base	Base et colonnes
32	13602.5531		Placa base	Support plate	Plaque appui
33	84600.1283		Tornillo M5x10 DIN 85	Screw M5x10 DIN 85	Vis M5x10 DIN 85
34	84760.5248		Tornillo M4x8 DIN 965	Screw M4x8 DIN 965	Vis M4x8 DIN 965
35	13603.9291		Tope apoyo	Support stop	Butée retention
36	71390.0233		Bola 6 DIN 5401	Ball 6 DIN 5401	Boule 6 DIN 5401
37	75700.0351		Muelle	Spring	Ressort
38	84410.5283		Tornillo	Screw	Vis
39	87080.0611		Arandela	Washer	Rondelle
40	13604.5521		Tope regla	Ruler stop	Butée règle
41	74210.0620		Anillo junta OR6x2	Joint ring OR6x2	Bague joint OR6x2
42	87510.1016		Anillo seg 16 DIN471	Safety ring 16 DIN471	Bague sécurité 16 DIN471
43	13602.1231		Palanca bloqueo	Blocking lever	Levier blocage
44	13604.6241		Tornillo fijar columna	Fixing screw	Vis fixation
45	84200.9338		Tornillo M6x35 DIN912	Screw M6x35 DIN912	Vis M6x35 DIN912
46	86020.1060		Tuerca M6 DIN 934	Nut M6 DIN 934	Nut M6 DIN 934
47	13604.5691		Sujetador	Support set	Support
48	75700.0450		Muelle	Spring	Ressort
49	13604.6831		Brida retención	Clamp	Bride
50	84907.1248		Tornillo M4x8 DIN 7500c	Screw M4x8 DIN 7500c	Vis M4x8 DIN 7500c
51	86020.1050		Tuerca M5 DIN934	Nut M5 DIN934	Écrou M5 DIN934
52	84200.9297		Tornillo M5x30 DIN912	Screw M5x30 DIN912	Vis M5x30 DIN912
53	84200.9291		Tornillo M5x18 DIN912	Screw M5x18 DIN912	Vis M5x18 DIN912
54	13602.1211		Protección transparente	Transparent guard	Protection transparent
55	84430.5248		Tornillo M4x8Pz	Screw M4x8Pz	Vis M4x8Pz
56	87301.1040		Arandela 4 DIN137	Washer 4 DIN137	Rondelle 4 DIN137
57	84480.0032		Tornillo CL89Z 3,6x25 Zng	Screw CL89Z 3,6x25 ZNg	Vis CL89Z 3,6x25 ZNg
58	13432.1861		Obturador lado colector	Obturing ring	Joint obturateur
59A	76357.5019		Regulador 230V	Speed control module 230V	Regulateur 230V
59B	76357.6019		Regulador 120V	Speed control module 120V	Regulateur 120V

FREUD

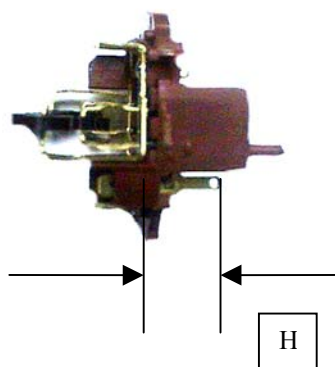
FT1000E

VERSION 1-0
ESTATOR/FIELD/STATOR
POS / ITEM 5



VERS.	COD.	H
V-1	13605.9123	13mm
V-0	13433.9023	16mm

PORTAESCOBILLAS/BRUSH HOLDER/PORTABALAIS
POS / ITEM 7



VERS.	COD.	H
V-1	13434.9114	15mm
V-1	13432.9111	15mm
V-0	13434.9111	18mm