

Dovetail Bits

Application: Strong, attractive joints for drawers and boxes

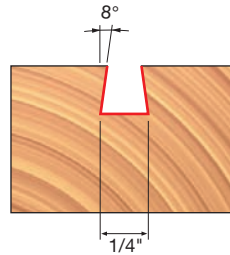
- Compatible with popular dovetail jigs, these bits produce smooth, intricate dovetail joints.
- Cuts all composition materials, plywoods, hardwoods, and softwoods.
- Use on CNC and other automatic routers as well as hand-held and table-mounted portable routers.

Item Number	Overall Dia.(D)	Carbide Height(h)	Angle (d)	Shank Dia.(A)	Overall Length(H)
22-100	1/4"	5/16"	7-1/2°	1/4"	2"
22-101	5/16"	3/8"	9°	1/4"	1-7/8"
22-102	3/8"	3/8"	9°	1/4"	1-7/8"
22-103	3/8"	3/8"	14°	1/4"	2-1/2"
22-104	1/2"	1/2"	14°	1/4"	1-7/8"
22-105	5/8"	7/8"	7°	1/4"	2-1/8"
22-106	3/4"	7/8"	7°	1/4"	2-1/8"
22-119	1/4"	1/4"	8°	1/4"	2"
22-120	3/8"	1/2"	8°	1/4"	2-1/2"
22-121	7/16"	5/8"	8°	1/4"	2-3/8"
22-122	1/2"	13/16"	8°	1/4"	2-3/4"
22-123	5/16"	3/8"	8°	1/4"	1-7/8"
22-124	1/2"	1/2"	14°	1/4"	2-5/8"
22-125	1/2"	5/8"	10°	1/4"	2-3/8"
22-126	9/16"	3/8"	14°	1/4"	2"
22-128	3/4"	7/8"	14°	1/4"	2-3/8"
22-129	1/2"	13/32"	8°	1/4"	2-5/32"
22-107	1/4"	5/16"	7-1/2°	1/2"	2-5/8"
22-108	5/16"	3/8"	9°	1/2"	2-1/8"
22-110	3/8"	3/8"	9°	1/2"	2-1/4"
22-112	1/2"	1/2"	14°	1/2"	2-1/4"
22-113	5/8"	7/8"	7°	1/2"	2-5/8"
22-114	3/4"	7/8"	7°	1/2"	2-5/8"
NEW 22-115*	17/32"	25/32"	7°	1/2"	2-3/8"
22-130	11/16"	1"	8°	1/2"	3-1/8"
22-132	13/16"	1-1/4"	8°	1/2"	3-3/8"
22-134	3/4"	3/4"	14°	1/2"	3-1/8"

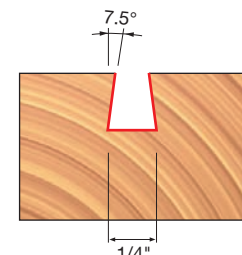
Top Bearing Dovetail

22-505	5/8"	7/8"	7°	1/4"	2-5/8"
22-506	3/4"	7/8"	7°	1/4"	2-5/8"
22-507	3/4"	7/8"	14°	1/4"	2-5/8"
22-508	9/16"	3/8"	14°	1/4"	2-3/16"

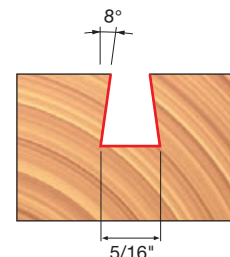
* For use with Porter-Cable® Dovetail Jig #4212.



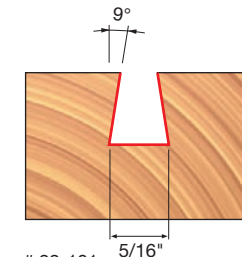
22-119



22-100
22-107



22-123

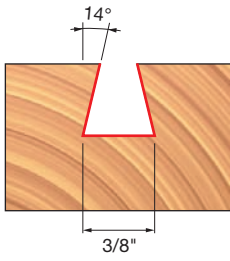


22-101
22-108

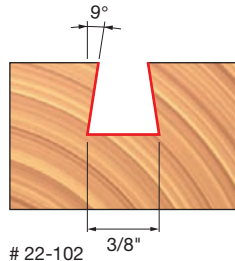
Example of Dovetail on drawer sides

(Continued)

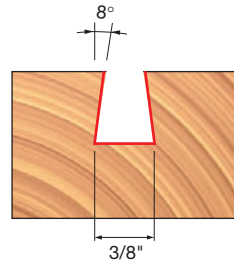
Dovetail Bits



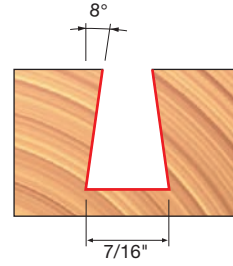
22-103



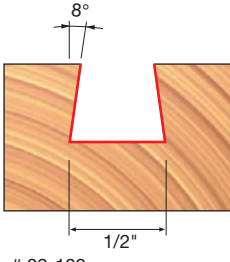
22-102
22-110



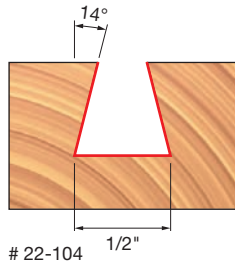
22-120



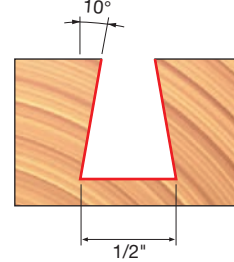
22-121



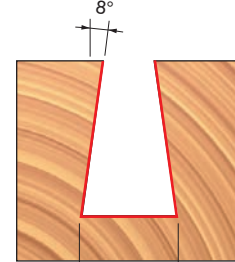
22-129



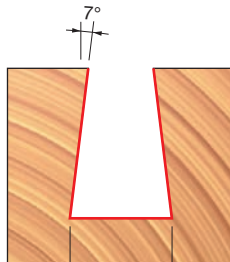
22-104
22-124
22-112



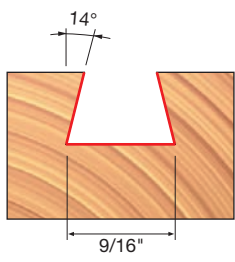
22-125



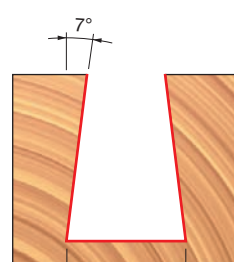
22-122



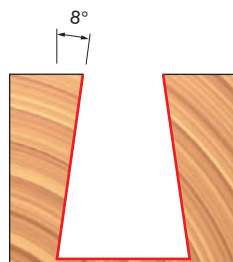
22-115



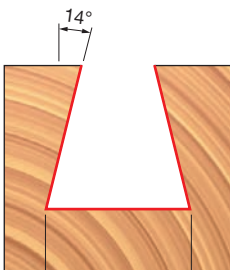
22-126



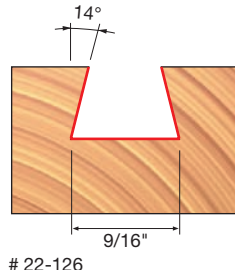
22-105
22-113



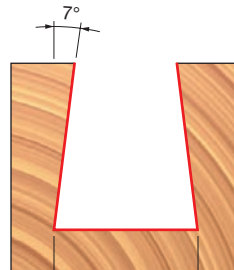
22-130



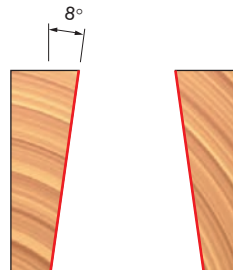
22-134



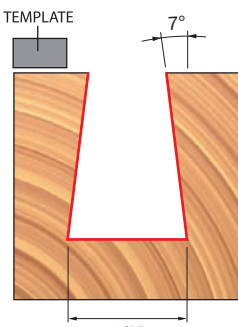
22-126



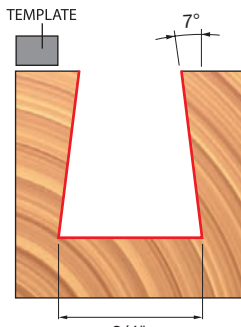
22-106
22-114



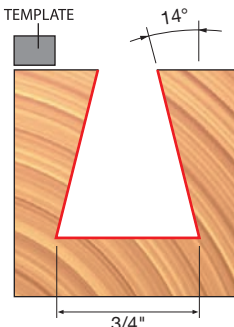
22-132



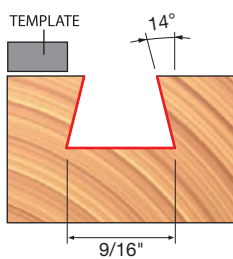
22-505 Top Bearing



22-506 Top Bearing



22-507 Top Bearing



22-508 Top Bearing

Red Item Numbers Indicate 1/2" Shank

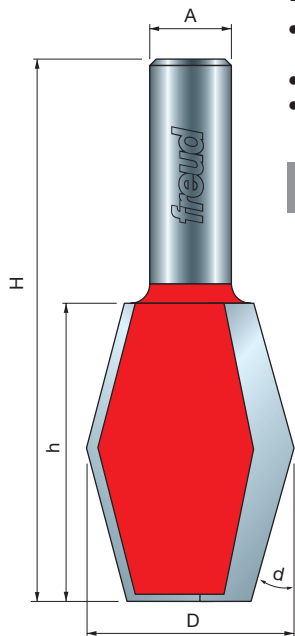
All Profile Drawings 1:1 Scale



Butterfly Spline Bit

Application: Sturdy, decorative design for exposed joints

- This bit produces a strong, attractive method of joining wood. Use a 14-degree dovetail bit to produce the mating grooves.
- Cuts all composition materials, plywoods, hardwoods, and softwoods.
- Use on CNC and other automatic routers as well as hand-held and table-mounted portable routers.



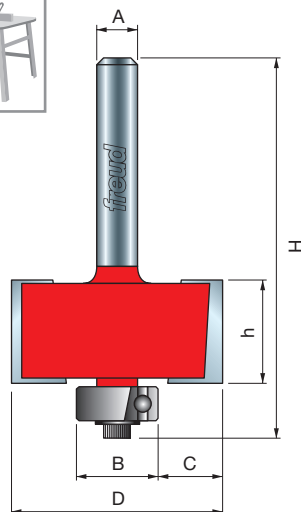
Item Number	Overall Dia.(D)	Small Dia.(n)	Carbide Height(h)	Angle (d)	Shank Dia.(A)	Overall Length(H)
24-106	1-1/8"	11/16"	1-3/4"	14°	1/2"	3-1/4"



Rabbeting Bits

Application: Joining boards and letting in back panels

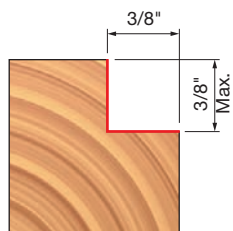
- Produces super smooth cuts on both surfaces of the rabbet.
- Steel pilots can be removed from bits and used with edge guides for wider rabbets.
- Cuts all composition materials, plywoods, hardwoods, and softwoods.
- Use on hand-held and table-mounted portable routers.



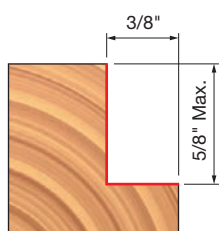
Item Number	Overall Dia.(D)	Bearing Dia.(B)	Cut Depth(C)	Carbide Height(h)	Shank Dia.(A)	Overall Length(H)
32-096	1-1/4"	1/2"	3/8"	3/8"	1/4"	2"
32-098	1-1/4"	1/2"	3/8"	5/8"	1/4"	2-1/4"
32-100	1-1/4"	1/2"	3/8"	1/2"	1/4"	2"
32-101	1-3/8"	3/8"	1/2"	1/2"	1/4"	2-1/4"
32-102	1-1/4"	1/2"	3/8"	1/2"	1/2"	2-1/4"
32-106	1-3/8"	3/8"	1/2"	1/2"	1/2"	2-1/4"
32-110	1-3/8"	3/8"	1/2"	3/4"	1/2"	2"

Steel Pilots

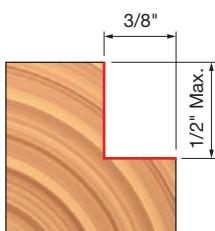
32-302	1-1/4"	1/2"	3/8"	3/8"	1/4"	1-7/8"
32-306	1-1/4"	1/2"	3/8"	5/8"	1/4"	2"



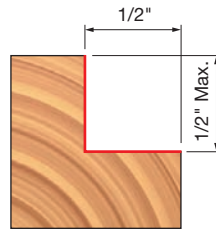
32-096
32-302



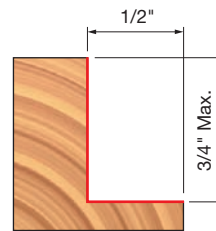
32-098
32-306



32-100
32-102



32-101
32-106

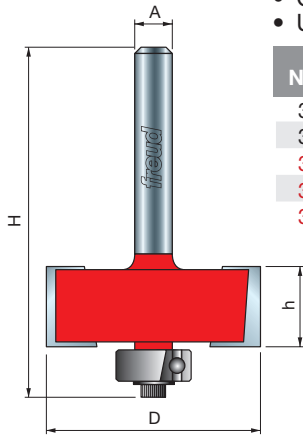
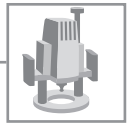


32-110

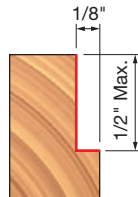
Rabbeting Bits with Bearing Set

Application: Joining boards and letting in back panels with different depths of cut

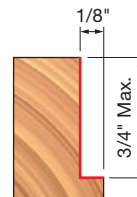
- With interchangeable bearings to cut rabbets of different depths, these sets produce super smooth cuts on both surfaces of the rabbet.
- 32-504, 32-524, and 32-526 can also be used as flush cutting trim bits.
- Wrench included.
- Cuts all composition materials, plywoods, hardwoods, and softwoods.
- Use on hand-held and table-mounted portable routers.



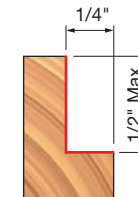
Item Number	Overall Dia.(D)	Rabbeting Depths	Carbide Height(h)	Shank Dia.(A)	Overall Length(H)
32-502	1-3/8"	5/16", 3/8", 7/16", 1/2"	1/2"	1/4"	2-1/4"
32-504	1-3/8"	flush, 1/8", 1/4", 5/16", 3/8", 7/16", 1/2"	1/2"	1/4"	2-1/4"
32-522	1-3/8"	5/16", 3/8", 7/16", 1/2"	1/2"	1/2"	2-1/4"
32-524	1-3/8"	flush, 1/8", 1/4", 5/16", 3/8", 7/16", 1/2"	1/2"	1/2"	2-1/4"
32-526	1-3/8"	flush, 1/8", 1/4", 5/16", 3/8", 7/16", 1/2"	3/4"	1/2"	2-1/2"



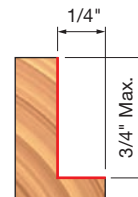
32-504
32-524



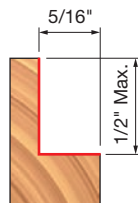
32-526



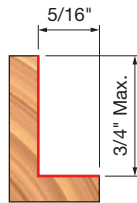
32-504
32-524



32-526



32-502
32-504
32-522
32-524



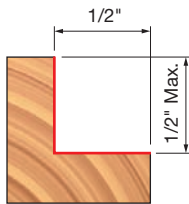
32-526



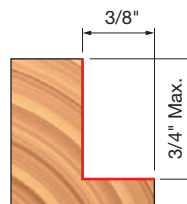
32-502
32-504
32-522
32-524



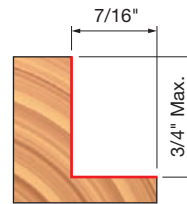
32-502
32-504
32-522
32-524



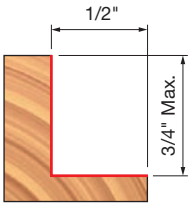
32-502
32-504
32-522
32-524



32-526



32-526



32-526



Both Sets Include the Wrench and Step Washers

Set of 4

- 3/8" Bearing #62-102
- 1/2" Bearing #62-104
- 5/8" Bearing #62-113
- 3/4" Bearing #62-144

Set of 7

- 7/8" Bearing #62-146
- 1-1/8" Bearing #62-148
- 1-3/8" Bearing #62-150

- Wrench #62-402
- 1/2" STEP WASHER #62-313
- 3/8" STEP WASHER #62-311

Supplied 3/8" STEP WASHER to use when mounting 3/8" ball bearing only.



Stacked Slotting Set

Application: Producing grooves 1/8" to 23/32" wide

- By changing the bearings this set will cut three different depths (1/4", 3/8", 1/2").
- Set includes Freud's slotting cutter arbor 60-202, 3 bearings and 4 specially designed slotting cutters.
- Cuts all composition materials, plywoods, hardwoods, and softwoods.
- Use on hand-held and table-mounted portable routers.

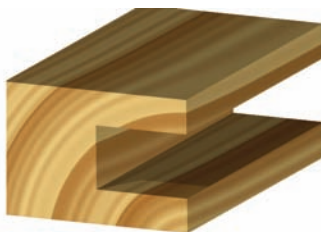
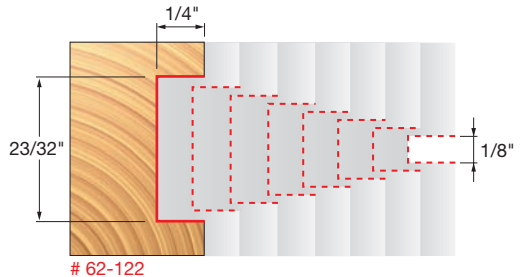
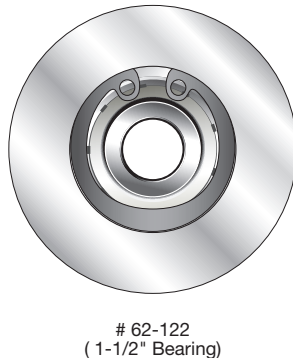
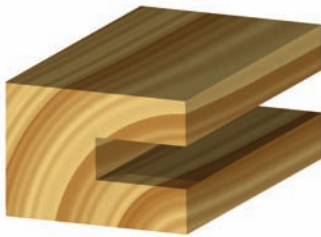
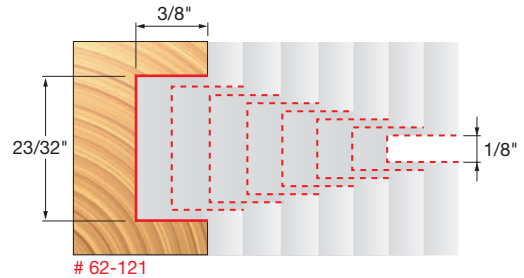
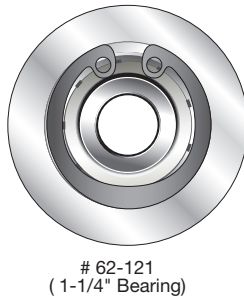
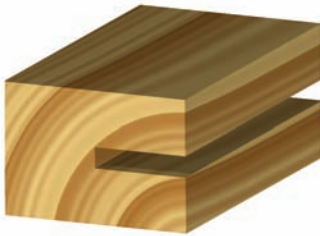
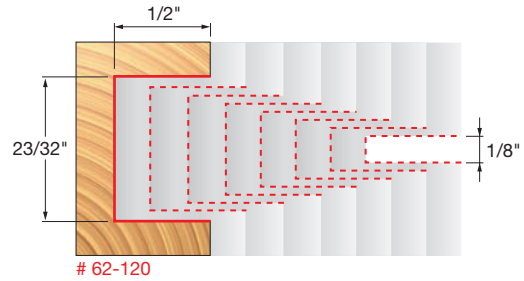
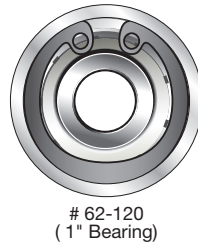
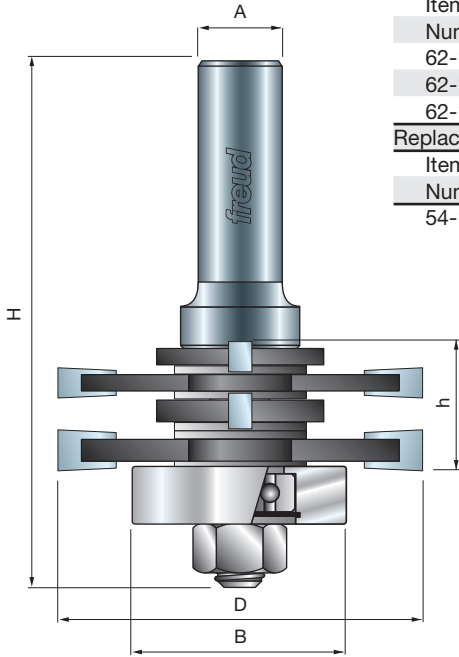
Item Number	Overall Dia.(D)	Carbide Height(h)	Shank Dia.(A)	Overall Length(H)
61-102	2"	1/8"-23/32"	1/2"	3-1/4"

Replacement Bearings

Item Number	Bearing Dia.(B)	Cut Depth
62-120	1"	1/2"
62-121	1-1/4"	3/8"
62-122	1-1/2"	1/4"

Replacement Cutters

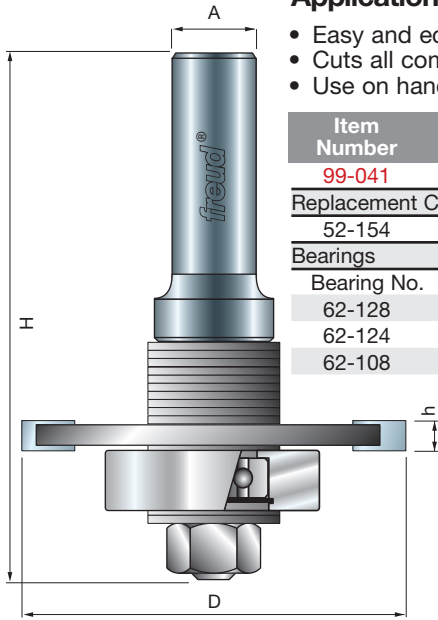
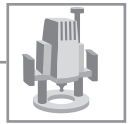
Item Number	Overall Dia.	Carbide Height
54-108	2"	1/8"



Biscuit Joining Set

Application: Creating perfect slots for biscuit joining

- Easy and economical way to join wood.
- Cuts all composition materials, plywoods, hardwoods, and softwoods.
- Use on hand-held and table-mounted portable routers.



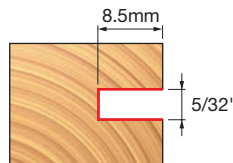
Item Number	Overall Dia.(D)	Carbide Height(h)	Shank Dia.(A)	Overall Length(H)
99-041	1-27/32"	5/32"	1/2"	3-1/4"
Replacement Cutter				
52-154	1-27/32"	5/32"	5/16"	-
Bearings				
Bearing No.	Size	Bearing Dia.	Cut Depth	
62-128	00	30mm	8.5mm	
62-124	10	26mm	10.5mm	
62-108	20	22mm	12.5mm	



Examples of various joint configurations ▲



62-128
(30mm Bearing)



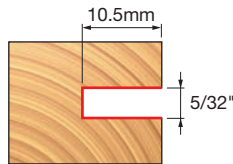
With Bearing
62-128



Biscuit Size-00
47mm x 15mm
1-7/8" x 5/8"



62-124
(26mm Bearing)



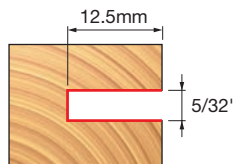
With Bearing
62-124



Biscuit Size-10
54mm x 19mm
2-1/8" x 3/4"



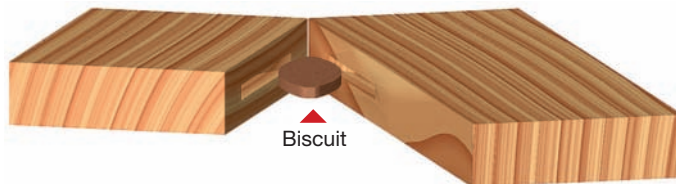
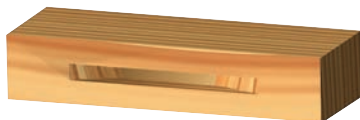
62-108
(22mm Bearing)



With Bearing
62-108



Biscuit Size-20
59mm x 22mm
2-3/8" x 7/8"



Red Item Numbers Indicate 1/2" Shank

All Profile Drawings 1:1 Scale



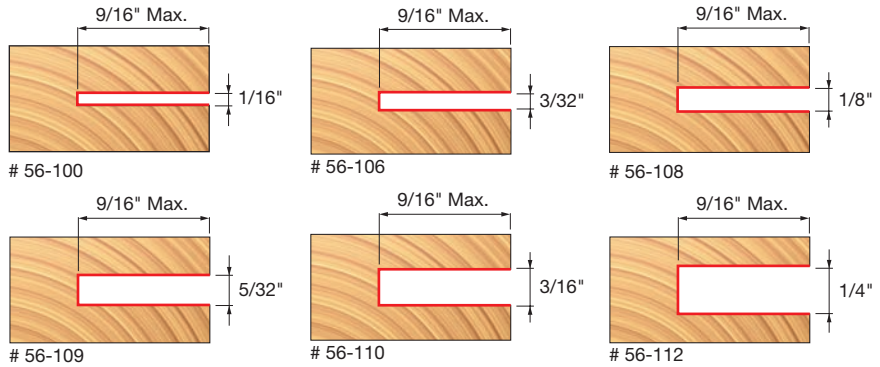
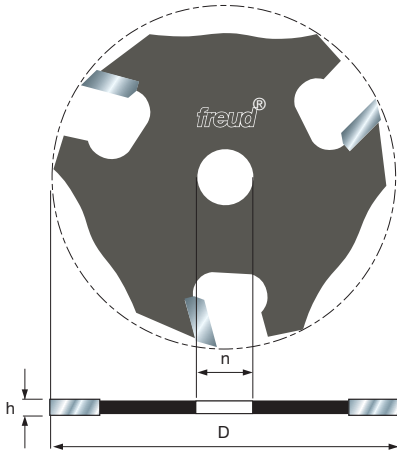


Three Wing Slotting Cutters

Application: Producing slots and grooves for T-moldings, spline joints, tongue & groove joints and many other applications

- Should be used with Freud's slotting cutter arbors 60-100 for 1/4" shanks and 60-102 for 1/2" shanks.
- Compatible with 62-108 bearing.
- Cutter 56-109 can be used for biscuit joining.
- Cuts all composition materials, plywoods, hardwoods, and softwoods.
- Use on hand-held and table-mounted portable routers.

Item Number	Overall Dia.(D)	Number of Cutters	Bore Dia.(n)	Carbide Height(h)
56-100	2"	3	5/16"	1/16"
56-106	2"	3	5/16"	3/32"
56-108	2"	3	5/16"	1/8"
56-109	2"	3	5/16"	5/32"
56-110	2"	3	5/16"	3/16"
56-112	2"	3	5/16"	1/4"

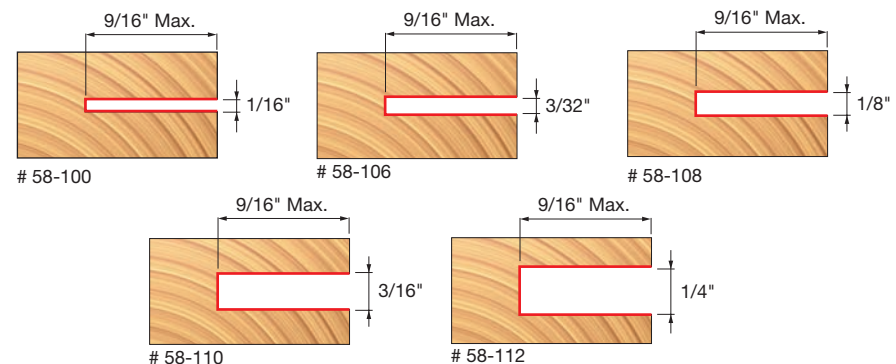
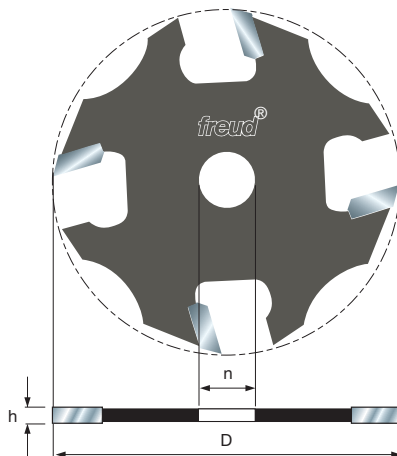


Four Wing Slotting Cutters

Application: Producing slots and grooves for T-moldings, spline joints, tongue & groove joints and many other applications

- Should be used with Freud's slotting cutter arbors 60-100 for 1/4" shanks and 60-102 for 1/2" shanks.
- Compatible with 62-108 bearing.
- Cuts all composition materials, plywoods, hardwoods, and softwoods.
- Use on hand-held and table-mounted portable routers.

Item Number	Overall Dia.(D)	Number of Cutters	Bore Dia.(n)	Carbide Height(h)
58-100	2"	4	5/16"	1/16"
58-106	2"	4	5/16"	3/32"
58-108	2"	4	5/16"	1/8"
58-110	2"	4	5/16"	3/16"
58-112	2"	4	5/16"	1/4"



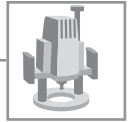
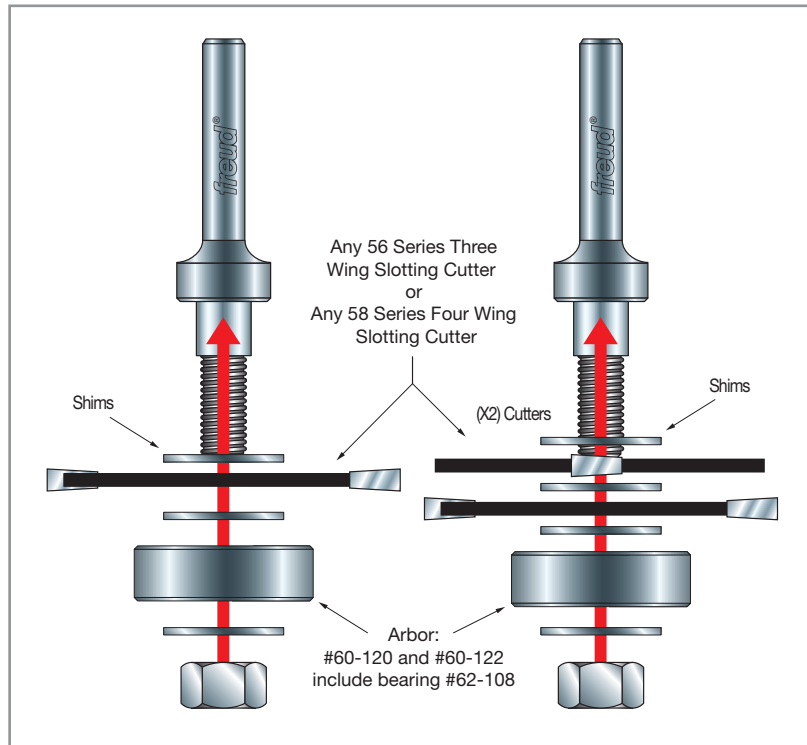
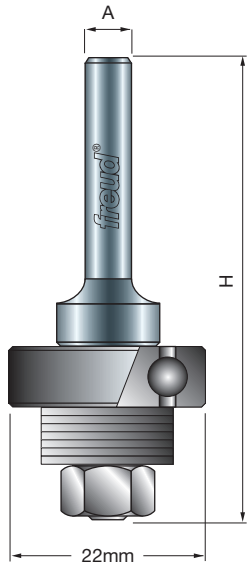
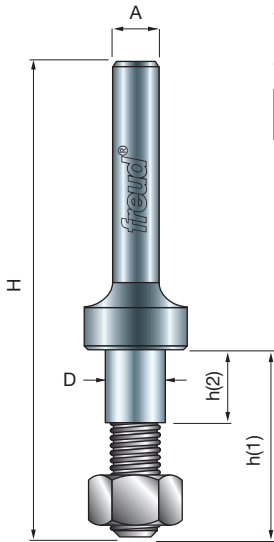
Slotting Cutter Arbors

Application: Producing smooth, precise, accurate slots

- For premium performance use with Freud slotting cutters, although compatible with any slotting cutter with a 5/16" bore.
- Use on hand-held and table-mounted portable routers.

Item Number	Arbor Dia.(D)	Stud Height(h1)	Arbor Height(h2)	Shank Dia.(A)	Overall Length(H)
60-100	5/16"	1"	25/64"	1/4"	2-3/8"
60-102	5/16"	1"	25/64"	1/2"	2-3/8"
60-120*	5/16"	1"	25/64"	1/4"	2-3/8"
60-122*	5/16"	1"	25/64"	1/2"	2-3/8"
60-152	5/16"	2-1/4"	5/8"	1/2"	4-1/4"

* Includes bearing # 62-108



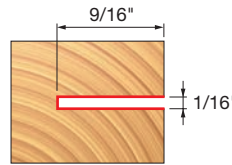
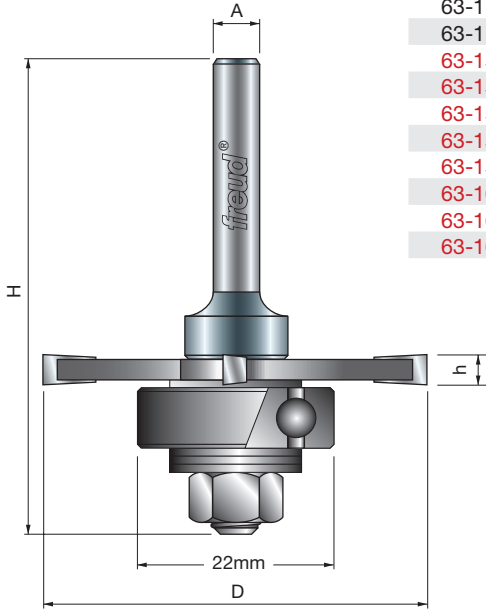


Slotting Cutter Sets

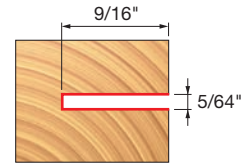
Application: Producing slots and grooves 9/16" deep for T-moldings, Spline Joints, Tongue & Groove Joints, and other applications

- Includes three wing slotting cutter, arbor and ball bearing.
- Cuts all composition materials, plywoods, hardwoods, and softwoods.
- Use on hand-held and table-mounted portable routers.

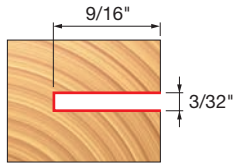
Item Number	Overall Dia.(D)	Carbide Height(h)	Cut Depth	Shank Dia.(A)	Overall Length(H)
63-100	2"	1/16"	9/16"	1/4"	2-3/8"
63-104	2"	5/64"	9/16"	1/4"	2-3/8"
63-106	2"	3/32"	9/16"	1/4"	2-3/8"
63-108	2"	1/8"	9/16"	1/4"	2-3/8"
63-109	2"	5/32"	9/16"	1/4"	2-3/8"
63-110	2"	3/16"	9/16"	1/4"	2-3/8"
63-111	2"	15/64"	9/16"	1/4"	2-3/8"
63-112	2"	1/4"	9/16"	1/4"	2-3/8"
63-150	2"	1/16"	9/16"	1/2"	2-3/8"
63-154	2"	5/64"	9/16"	1/2"	2-3/8"
63-156	2"	3/32"	9/16"	1/2"	2-3/8"
63-158	2"	1/8"	9/16"	1/2"	2-3/8"
63-159	2"	5/32"	9/16"	1/2"	2-3/8"
63-160	2"	3/16"	9/16"	1/2"	2-3/8"
63-161	2"	15/64"	9/16"	1/2"	2-3/8"
63-162	2"	1/4"	9/16"	1/2"	2-3/8"



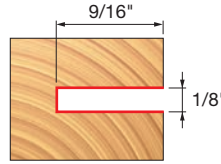
63-100
63-150



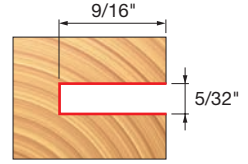
63-104
63-154



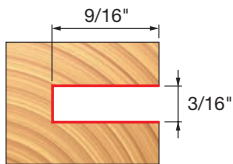
63-106
63-156



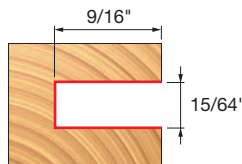
63-108
63-158



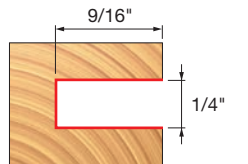
63-109
63-159



63-110
63-160



63-111
63-161



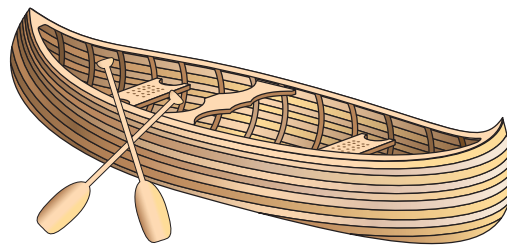
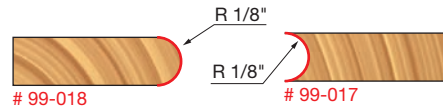
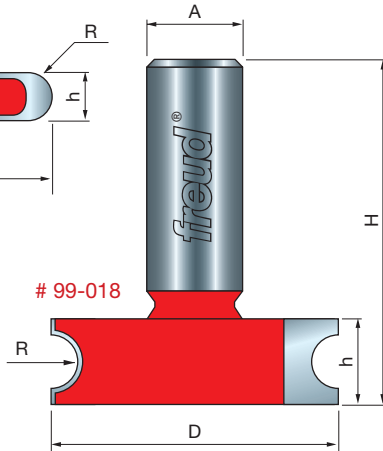
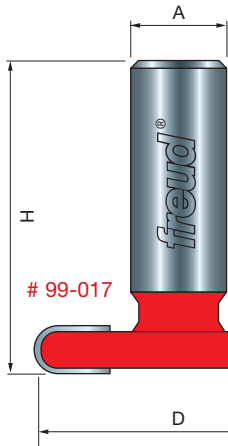
63-112
63-162

Canoe Joint Bits

Application: Producing joints for projects such as circular planters and canoes

- Bit 99-017 cuts the flute and 99-018 cuts the mating bead.
- Cuts all composition materials, plywoods, hardwoods, and softwoods.
- Use on CNC and other automatic routers as well as table-mounted portable routers.

Item Number	Overall Dia.(D)	Carbide Height(h)	Large Radius(R)	Shank Dia.(A)	Overall Length(H)
99-017	1-1/2"	1/4"	1/8"	1/2"	1-11/16"
99-018	1-1/2"	3/8"	1/8"	1/2"	1-7/8"

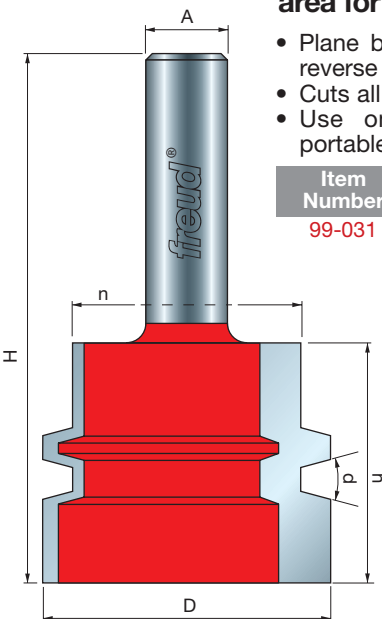


Reversible Glue Joint Bit

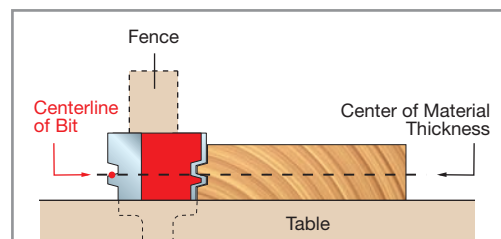
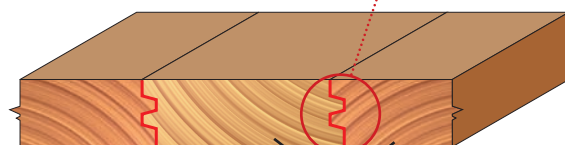
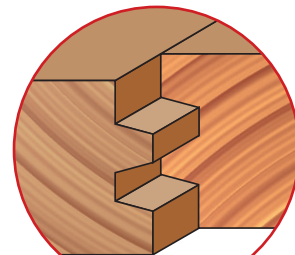
Application: Providing a stronger joint by increasing the surface area for glue

- Plane boards to a uniform thickness; align bit to the center of the board, then reverse each board for a perfect glue joint.
- Cuts all composition materials, plywoods, hardwoods, and softwoods.
- Use on CNC and other automatic routers, as well as table-mounted portable routers.

Item Number	Overall Dia.(D)	Small Dia.(n)	Carbide Height(h)	Angle (d)	Shank Dia.(A)	Overall Length(H)
99-031	1-1/2"	1-3/16"	1-1/4"	30°	1/2"	2-3/4"



99-031



Red Item Numbers Indicate 1/2" Shank

All Profile Drawings 1:1 Scale

Opposing Grain Direction



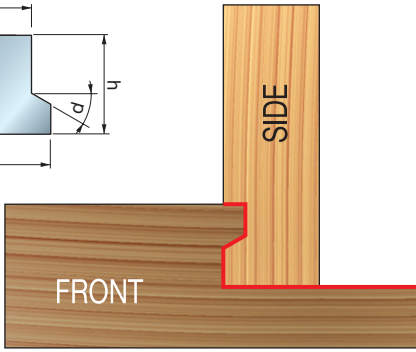
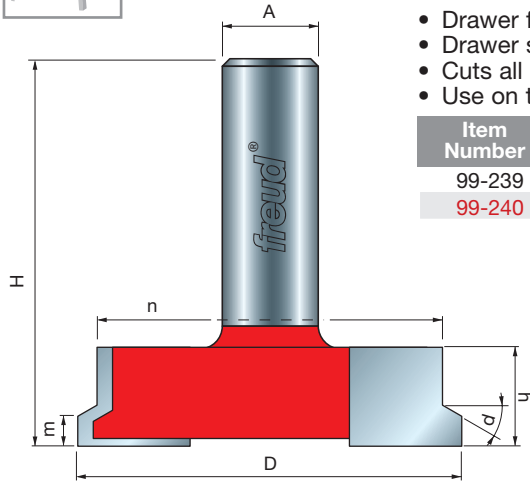


Drawer Lock Bits

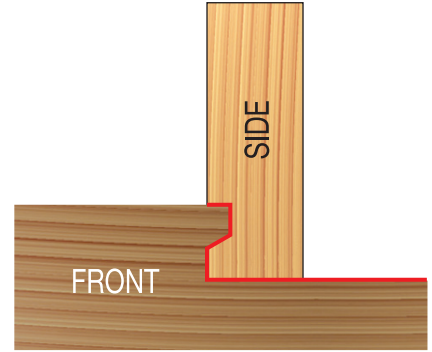
Application: Forming a strong joint between the sides and front of a drawer

- Drawer fronts are formed horizontally, flat on the table surface.
- Drawer sides are formed vertically against the fence of the table.
- Cuts all composition materials, plywoods, hardwoods, and softwoods.
- Use on table-mounted portable routers.

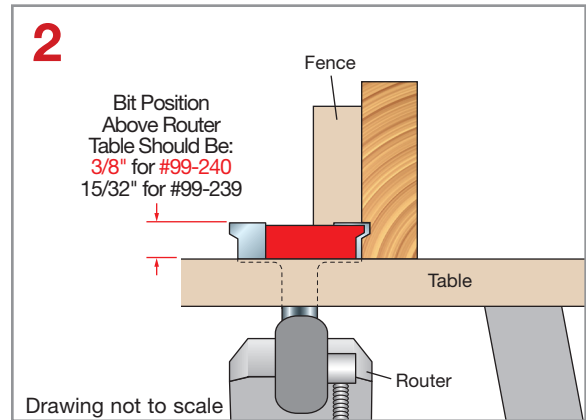
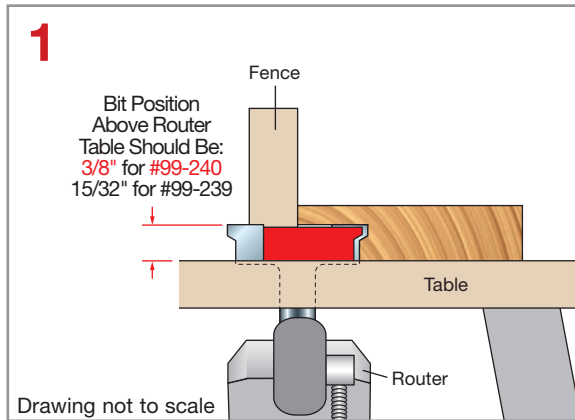
Item Number	Overall Dia.(D)	Small Dia.(n)	Carbide Height(h)	Minor Height(m)	Angle (d)	Shank Dia.(A)	Overall Length(H)
99-239	1-1/4"	1-1/64"	1/2"	13/64"	30°	1/4"	1-3/4"
99-240	2"	1-3/4"	33/64"	5/32"	30°	1/2"	2"



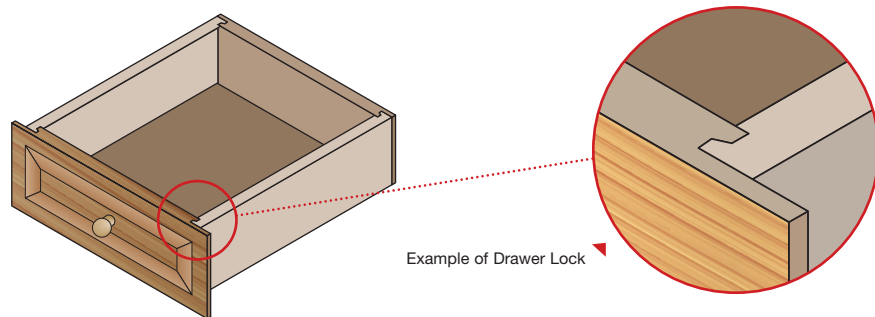
99-239



99-240



Drawer lock bits should be positioned above the router table as shown above for optimal performance.



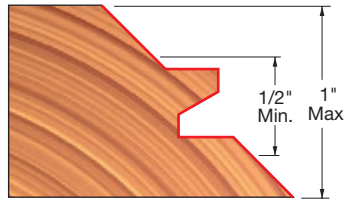
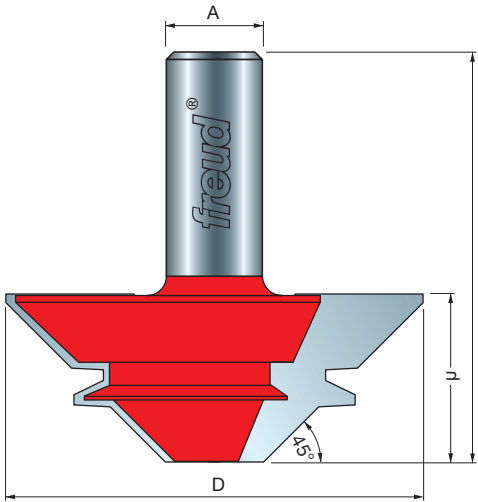
Lock Miter Bits

Application: Creating interlocking corner joints

- Run one board vertically and the piece to be joined horizontally.
- 99-035 cuts thinner panels for projects such as humidors and jewelry boxes.
- Cuts all composition materials, plywoods, hardwoods, and softwoods.
- Use on CNC and other automatic routers, as well as table-mounted portable routers.



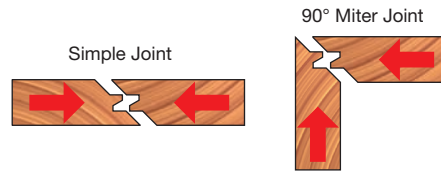
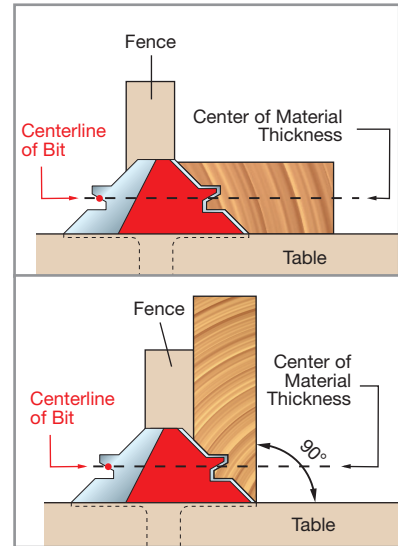
Item Number	Overall Dia.(D)	Carbide Height(h)	Angle	Shank Dia.(A)	Overall Length(H)
99-034	2-3/4"	1-5/32"	45°	1/2"	2-5/8"
99-035	2-11/64"	7/8"	45°	1/2"	2-3/8"
NEW 99-043	1-15/32"	7/8"	22-1/2°	1/2"	2-3/8"



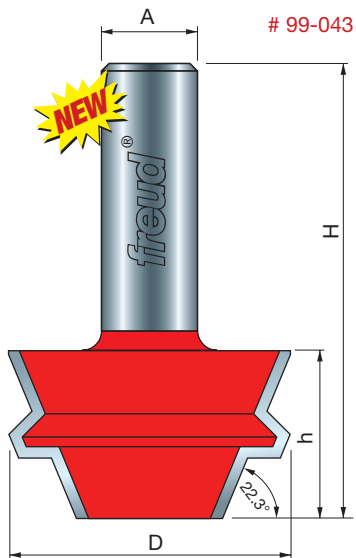
99-034



99-035

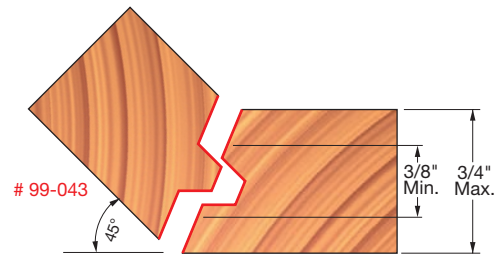
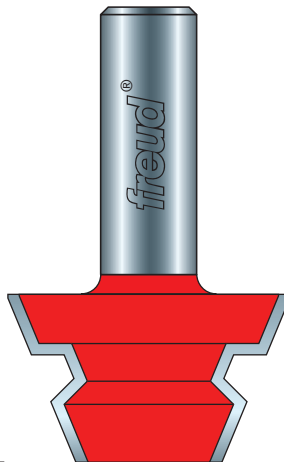


22-1/2 Degree Set

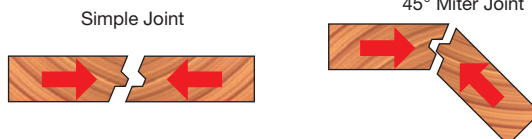


NEW

99-043



99-043



Red Item Numbers Indicate 1/2" Shank

All Profile Drawings 1:1 Scale

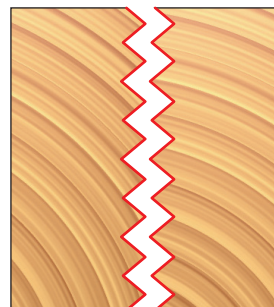
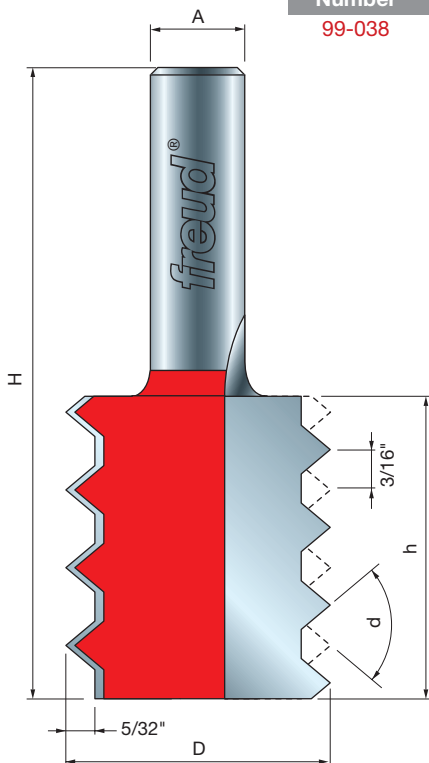


Raised Panel "V" Joint Bit

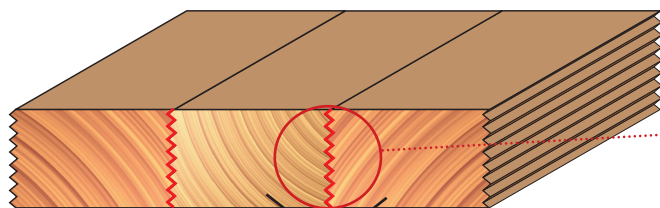
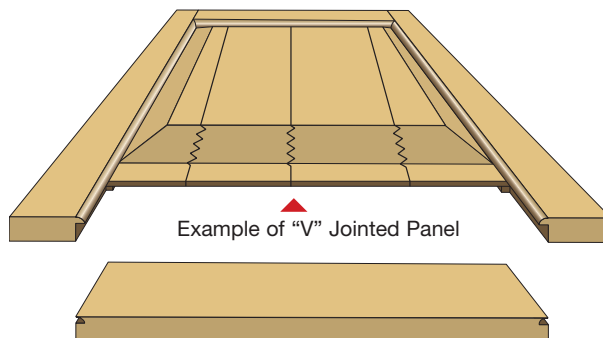
Application: Producing strong, attractive glue joint raised panels

- Mating surfaces are at an angle, not vertical, so the dark lines like those created by standard finger joint bits aren't visible.
- Bit does not have to be centered in the wood.
- Simply raise or lower the bit 3/32" to route the mating edge.
- Cuts all composition materials, plywoods, hardwoods, and softwoods.
- Use on table-mounted portable routers.

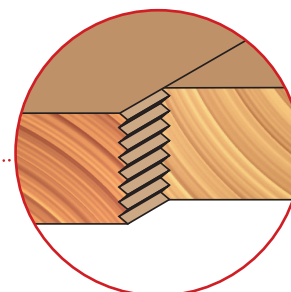
Item Number	Overall Dia.(D)	Carbide Height(h)	Minor Height	Angle (d)	Shank Dia.(A)	Overall Length(H)
99-038	1-3/8"	1-37/64"	3/16"	80°	1/2"	3-1/16"



99-038



Opposing Grain Direction



Adjustable Tongue & Groove Bit Set

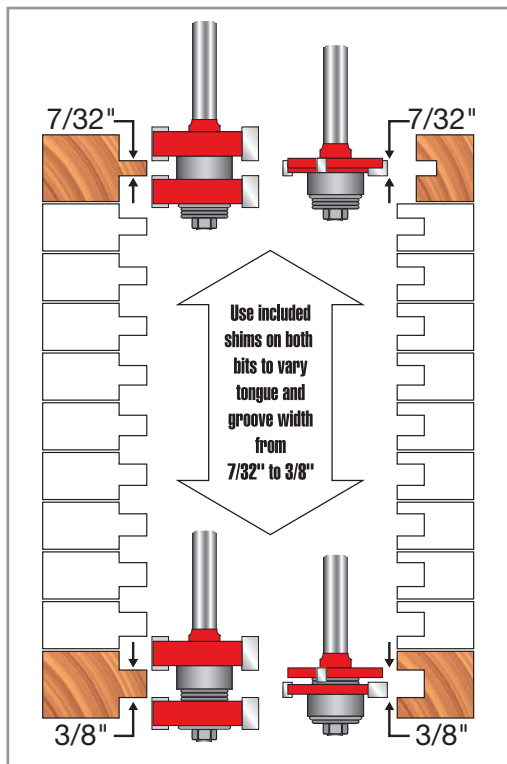
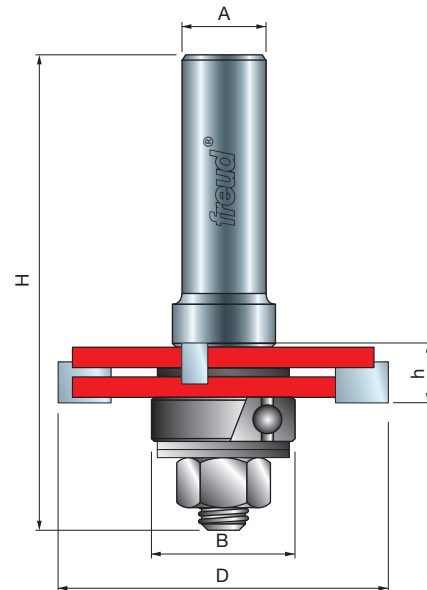
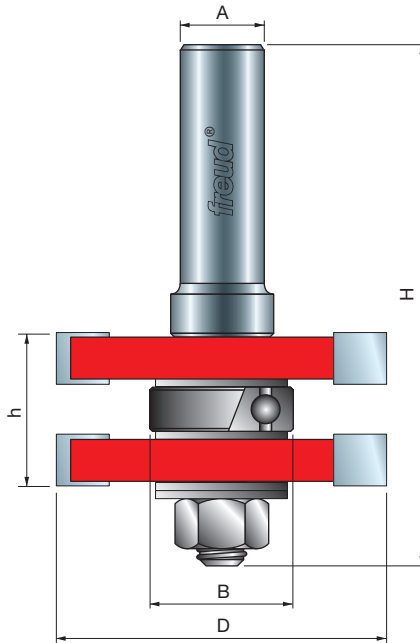


Application: Producing perfectly fitted tongue and groove joints for projects such as Shaker style cabinet doors

- Exclusive Freud design features a tongue cutter with opposing shear angles to ensure a flawless finish.
- Adjustable at .002 inch increments for stock thickness of 1/2" to 1-1/4" and groove widths of 7/32" to 3/8".
- Cuts all composition materials, plywoods, hardwoods, and softwoods.
- Use on table-mounted portable routers.

Item Number	Bit Type	Overall Dia.(D)	Bearing Dia.(B)	Carbide Height(h)	Shank Dia.(A)	Overall Length(H)
99-036	Tongue Bit	1-3/4"	7/8"	7/32" ~ 3/8"	1/2"	3-1/4"
	Groove Bit	1-3/4"	7/8"	13/16" ~ 1-11/32"	1/2"	2-11/16"

U.S. Pat. No. 6,367,524



Breadboard Ends



Tongue & Groove Joints



Shaker Style Doors



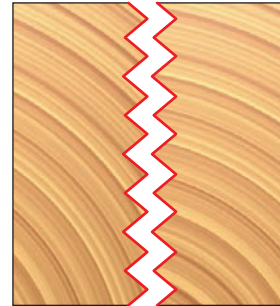
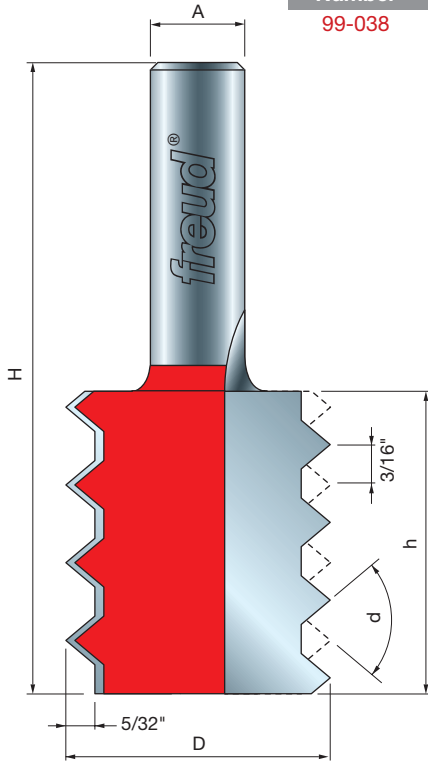


Raised Panel "V" Joint Bit

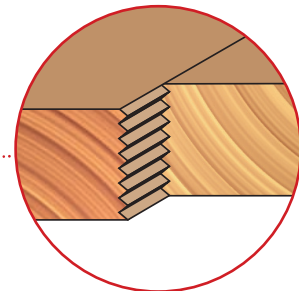
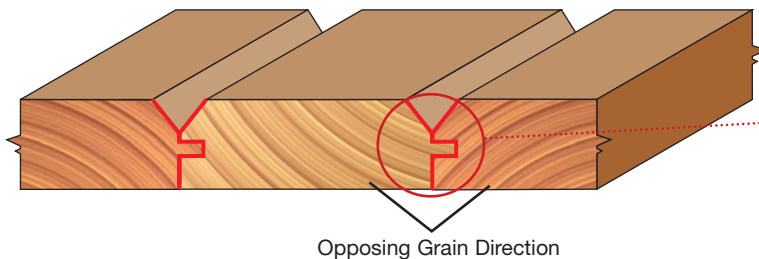
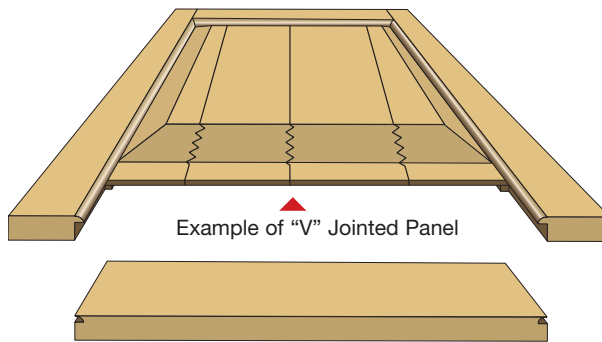
Application: Producing strong, attractive glue joint raised panels

- Mating surfaces are at an angle, not vertical, so the dark lines like those created by standard finger joint bits are not visible.
- Bit does not have to be centered in the wood.
- Simply raise or lower the bit 3/32" to route the mating edge.
- Cuts all composition materials, plywoods, hardwoods, and softwoods.
- Use on table-mounted portable routers.

Item Number	Overall Dia.(D)	Carbide Height(h)	Minor Height	Angle (d)	Shank Dia.(A)	Overall Length(H)
99-038	1-3/8"	1-37/64"	3/16"	80°	1/2"	3-1/16"



99-038



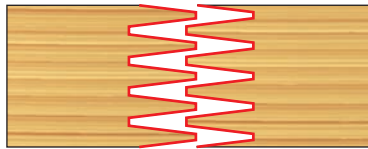
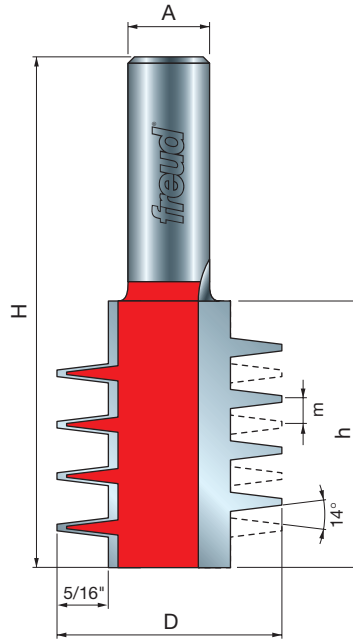
Finger Joint Bit

Application: Joining wood edge-to-edge or end-to-end

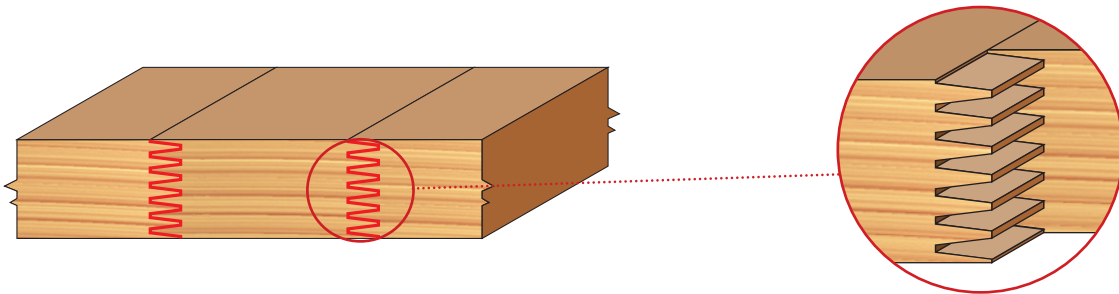
- Produces a joint that is stronger than the wood itself.
- Tips on each side of the bit are offset, cutting twice as many fingers as you see tips on each side of the bit.
- Cuts all composition materials, plywoods, hardwoods, and softwoods.
- Use on CNC and other automatic routers as well as table-mounted portable router.



Item Number	Overall Dia.(D)	Cut Depth	Carbide Height(h)	Minor Height(m)	Shank Dia.(A)	Overall Length(H)
99-037	1-3/8"	5/16"	1-9/16"	21/64"	1/2"	3"



99-037

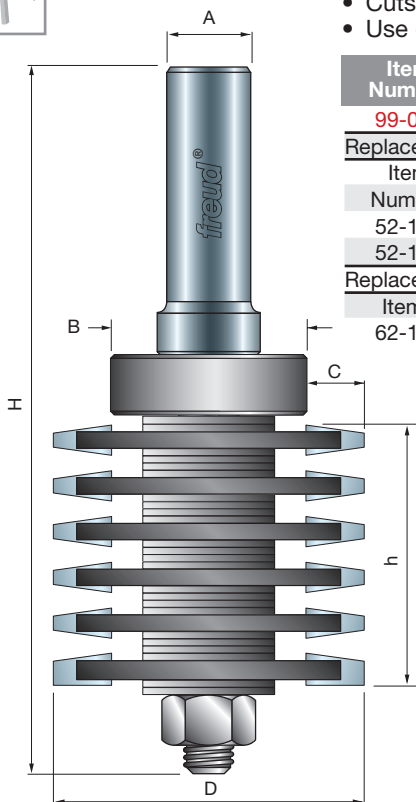




Variable Height Finger Joint Bit

Application: Adjustable to produce finger joints up to 1-25/32" thick

- Ideal for joining wood edge-to-edge or end-to-end, because the joint produced is stronger than the wood itself.
- Replacement cutters available and uses arbor #60-152.
- Allows you complete freedom when producing finger joints.
- Cuts all composition materials, plywoods, hardwoods, and softwoods.
- Use on hand-held and table-mounted portable routers.



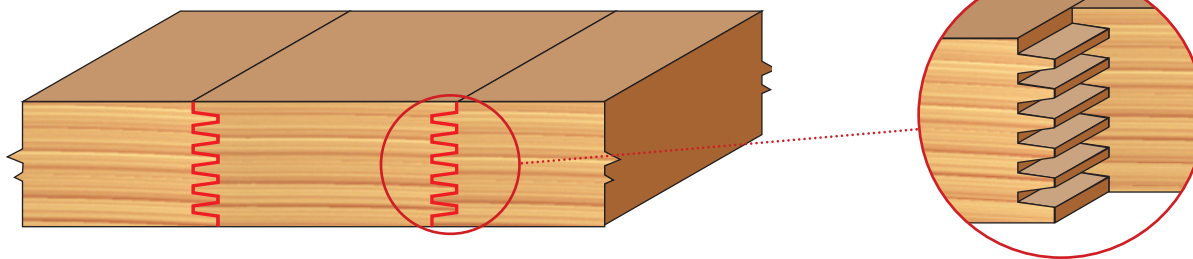
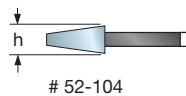
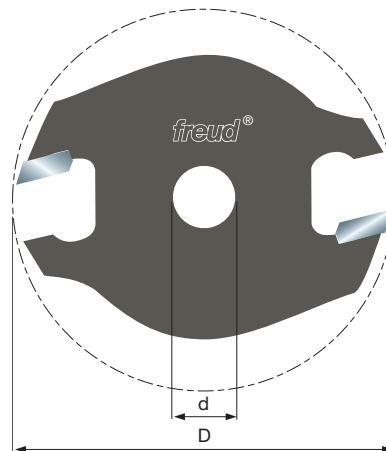
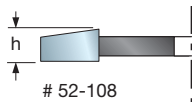
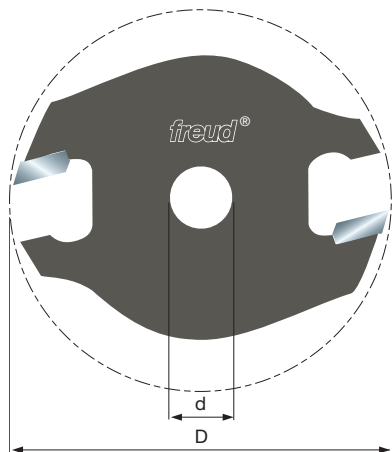
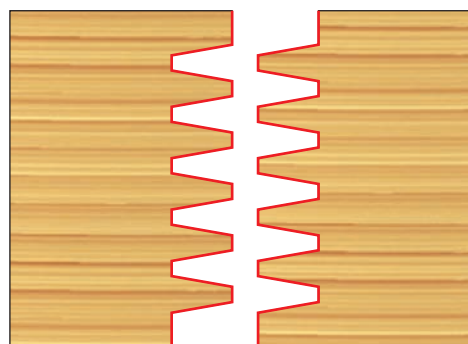
Item Number	Overall Dia.(D)	Cut Dia.(C)	Bearing Dia.(B)	Carbide Height(h)	Shank Dia.(A)	Overall Length(H)
99-039	2"	5/16"	1-3/8"(35mm)	1-9/16"	1/2"	4-1/4"

Replacement Cutters

Item Number	Overall Dia.	Bore Dia.	Carbide Height
52-104	2"	5/16"	7/32"
52-108	2"	5/16"	21/64"

Replacement Bearing

Item#	Outside Dia.	Inside Dia.	Height
62-109	35mm	15mm	11mm



"V" Panel Bit Set



Application: Creating attractive "V" Groove paneling

- Set includes spacers that allow you to produce "V" paneling from 1/2", 3/4", or 1" thick stock.
- Cuts all composition materials, plywoods, hardwoods, and softwoods.
- Use on table-mounted portable routers.

Item Number	Overall Dia.(D)	Small Dia.(n)	Carbide Height(h)	Minor Height(m1)	Minor Height(m2)	Angle	Shank Dia.(A)	Overall Length(H)
99-191	1-11/64"	1-37/64"	1-1/8"	5/32"~5/16"	25/64"	45°	1/2"	3-3/8"

