

---

# OWNER'S GUIDE

---

READ AND SAVE THESE INSTRUCTIONS

# AIR CONDITIONER

## ROTARY CONTROL

# ROOM AIR CONDITIONER WARRANTY

Your product is protected by this warranty

Your appliance is warranted by White Consolidated Industries, Inc. WCI has authorized Frigidaire Consumer Services and their authorized servicers to perform service under this warranty. WCI authorizes no one else to change or add to any of these obligations under this warranty. Any obligations for service and parts under this warranty must be performed by Frigidaire Consumer Services or an authorized Frigidaire servicer.

	WARRANTY PERIOD	FRIGIDAIRE, THROUGH ITS AUTHORIZED SERVICERS, WILL:	THE CONSUMER WILL BE RESPONSIBLE FOR:
<b>FULL ONE-YEAR WARRANTY</b>	One year from original purchase date.	Pay all costs for repairing or replacing any parts of this appliance which prove to be defective in materials or workmanship.	Costs of service calls that are listed under <b>NORMAL RESPONSIBILITIES OF THE CONSUMER.*</b>
<b>LIMITED 2ND - 5TH YEAR WARRANTY (Sealed System)</b>	Second through fifth years from original purchase date.	Repair or replace any parts in the Sealed Refrigeration System (compressor, condenser, evaporator and tubing) proves to be defective in materials or workmanship.	Diagnostic costs and any removal, transportation and reinstallation costs which are required because of service. Costs for labor, parts and transportation other than with respect to the Sealed Refrigeration System.
<b>LIMITED WARRANTY (Applicable to the State of Alaska)</b>	Time periods listed above.	All of the provisions of the full and limited warranties above and the exclusions listed below apply.	Costs of the technician's travel to the home and any costs for pick up and delivery of the appliance required because of service.

**\*NORMAL RESPONSIBILITIES OF THE CONSUMER**

**This warranty applies only to products in ordinary household use, and the consumer is responsible for the items listed below:**

1. Proper use of the appliance in accordance with instructions provided with the product.
2. Proper installation by an authorized servicer in accordance with instructions provided with the appliance and in accordance with all local plumbing, electrical and/or gas codes.
3. Proper connection to a grounded power supply of sufficient voltage, replacement of blown fuses, repair of loose connections or defects in house wiring.
4. Expenses for making the appliance accessible for servicing, such as removal of trim, cupboards, shelves, etc., which are not a part of the appliance when it was shipped from the factory.
5. Damages to finish after installation.
6. Replacement of light bulbs and/or fluorescent tubes (on models with these features).

**EXCLUSIONS**

**This warranty does not cover the following:**

1. CONSEQUENTIAL OR INCIDENTAL DAMAGES SUCH AS PROPERTY DAMAGE AND INCIDENTAL EXPENSES RESULTING FROM ANY BREACH OF THIS WRITTEN OR ANY IMPLIED WARRANTY.  
*Note: Some states do not allow the exclusion or limitation of incidental or consequential damages, so this limitation or exclusion may not apply to you.*
2. Service calls which do not involve malfunction or defects in workmanship or material, or for appliances not in ordinary household use. The consumer shall pay for such service calls.
3. Damages caused by services performed by persons other than authorized Frigidaire servicers; use of parts other than Frigidaire Genuine Renewal Parts; obtained from persons other than such servicers; or external causes such as abuse, misuse, inadequate power supply or acts of God.
4. Products with original serial numbers that have been removed or altered and cannot be readily determined.

**IF YOU NEED SERVICE**

Keep your bill of sale, delivery slip, or some other appropriate payment record. The date on the bill establishes the warranty period should service be required. If service is performed, it is in your best interest to obtain and keep all receipts. This written warranty gives you specific legal rights. You may also have other rights that vary from state to state. Service under this warranty must be obtained by following these steps, in order:

1. Contact Frigidaire Consumer Services or an authorized Frigidaire servicer.
2. If there is a question as to where to obtain service, contact our Consumer Relations Department at:

Frigidaire Company  
P.O. Box 212378  
Augusta, GA 30917  
**800-444-4944**



Product features or specifications as described or illustrated are subject to change without notice. All warranties are made by White Consolidated Industries, Inc. This warranty applies only in the 50 states of the U.S.A., Puerto Rico and Canada.

## Product Registration

### Record Your Model and Serial Numbers

Record in the space provided below the model and serial numbers. On most models, the serial plate is located behind the left front louvers. Reading these numbers may be easier by using a flashlight or by removing the cabinet front as instructed under "Care and Cleaning." On some models, the serial plate is located on the outside of the cabinet.

Model No. \_\_\_\_\_

Serial No. \_\_\_\_\_

### Register Your Product

The self-addressed PRODUCT REGISTRATION CARD should be filled in completely, signed and returned to the Frigidaire Company.

## Contents

**NOTE:** This Owner's Guide provides specific operating instructions for your model. Use the room air conditioner only as instructed in this Owner's Guide. These instructions are not meant to cover every possible condition and situation that may occur. Common sense and caution must be practiced when installing, operating, and maintaining any appliance.

2	Warranty
3	Product Registration
3	Normal Sounds
4	Important Safety Instructions
4	Energy Saving Ideas
5-6	Front Installation
7	Using Air Conditioner
7-9	Air Conditioner Features
9-10	Care and Cleaning
11	Avoid Service Checklist

## Normal Sounds

### Sound of Rushing Air

At the front of the unit, you may hear the sound of rushing air being moved by the fan.

### Thermostat Clicking Sound

As cooling systems cycle on and off, you may hear a "clicking" sound.

### High Pitched Chatter

Today's high efficient compressors may have a high pitched chatter during the cooling cycle.

### Vibration

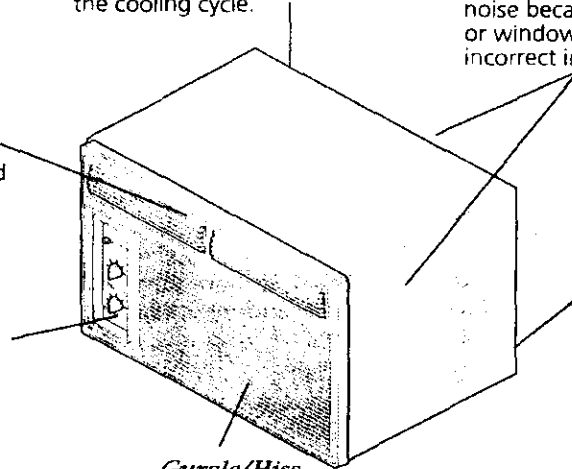
Unit may vibrate and make noise because of poor wall or window construction or incorrect installation.

### Pinging or Swishing

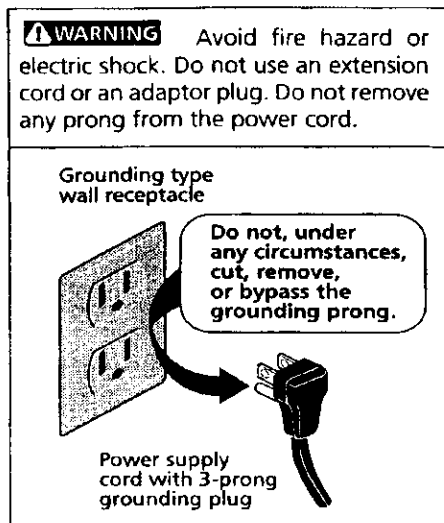
Droplets of water hitting condenser during normal operation may cause "pinging or swishing" sounds.

### Gurgle/Hiss

"Gurgling or hissing" noise may be heard due to refrigerant passing through evaporation during normal operation.



## Important Safety Instructions



Read all instructions before using this air conditioner.

### **⚠ WARNING** For Your Safety

Do not store or use gasoline or other flammable vapors and liquids in the vicinity of this or any other appliance. Read product labels for flammability and other warnings.

### **⚠ WARNING** Prevent Accidents

To reduce the risk of fire, electrical shock, or injury to persons when using your air conditioner, follow basic precautions, including the following:

- Be sure the electrical service is adequate for the model you have chosen. This information can be found on the serial plate, which is located either behind the louvers or on the left side of the cabinet.
- If the air conditioner is to be installed in a window, you will probably want to clean both sides of the glass first. If the window is a triple-track type with a screen panel included, remove the screen completely before installation.
- Be sure the air conditioner has been securely and correctly installed according to the separate installation instructions provided with this manual. Save this manual and the installation instructions for possible future use in removing or reinstalling this unit.
- When handling the air conditioner, be careful to avoid cuts from sharp metal fins on front and rear coils.

### **⚠ WARNING** Electrical Information

The complete electrical rating of your new room air conditioner is stated on the serial plate. Refer to the rating when checking the electrical requirements.

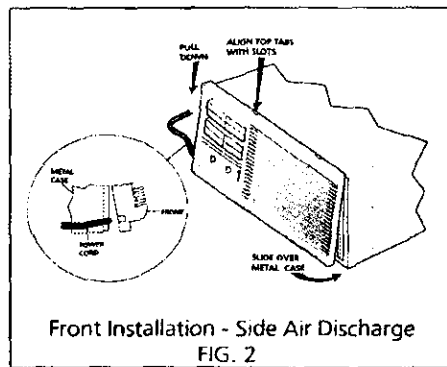
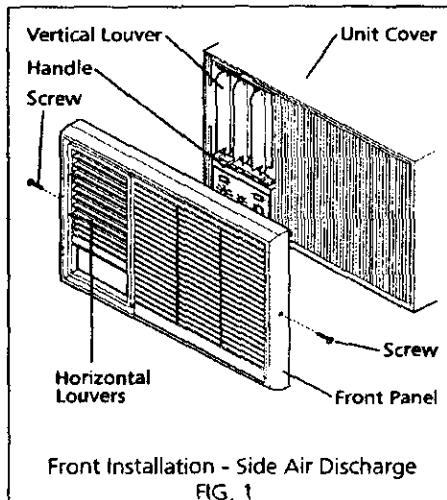
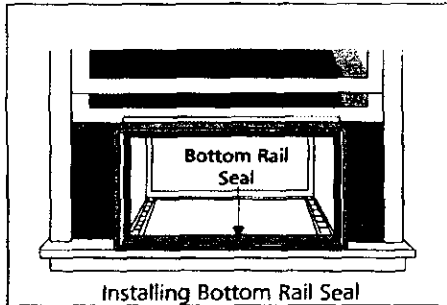
- Be sure the air conditioner is properly grounded. To minimize shock and fire hazards, proper grounding is important. The power cord is equipped with a three-prong grounding plug for protection against shock hazards.
- Your air conditioner **must** be used in a properly grounded wall receptacle. If the wall receptacle you intend to use is not adequately grounded or protected by a time delay fuse or circuit breaker, have a qualified electrician install the proper receptacle.
- Do not run air conditioner with outside protective cover in place. This could result in mechanical damage within the air conditioner.
- **Do not use an extension cord or an adapter plug.**

## Energy Saving Ideas



- **Do not block air flow inside with blinds, curtains or furniture; or outside with shrubs, enclosures, or other buildings.**
- The capacity of the room air conditioner must fit the room size for efficient and satisfactory operation.
- Install the room air conditioner on the shady side of your home. A window that faces north is best because it is shaded most of the day.
- Close the fireplace damper, floor and wall registers so cool air does not escape up the chimney and into the duct work.
- Keep blinds and drapes in other windows closed during the sunniest part of the day.
- Clean the air filter as recommended in the section "Care and Cleaning."
- Proper insulation and weather stripping in your home will help keep warm air out and cool air in.
- External house shading with trees, plants or awnings will help reduce the air conditioner's work load.
- Operate heat producing appliances such as ranges, washers, dryers and dishwashers during the coolest part of the day.

## Front Installation



### Installing Bottom Rail Seal (some models)

Some models are shipped in a removable sleeve that must be positioned properly for safe and efficient sealing. Follow the Installation Instructions supplied. To install the Bottom Rail Seal, position the seal on top of the bottom rail, flush with the front edge of the rail and in contact with the side seals.

### Manual Vertical Louver Adjustment (side air discharge)

Complete this adjustment before installing front panel.

1. Adjust the vertical louvers to the straight position by using the handle.
2. The dial plate and knobs are packed separately. To install them, refer to **Installing the Dial Plate and Front Frame** section on the next page.

### Front Installation - Some Side Air Discharge Models (FIG. 1)

Install the front panel with filter as follows:

1. Adjust the horizontal louvers to the straight position. Hold the front straight until the vertical louver handle lines up between the bottom horizontal louver and the discharge opening.
2. Press the front straight onto the cabinet until the holes in the flange of the plastic front line up with the screw holes in the metal cabinet. Fasten the front panel in place with the two screws provided.

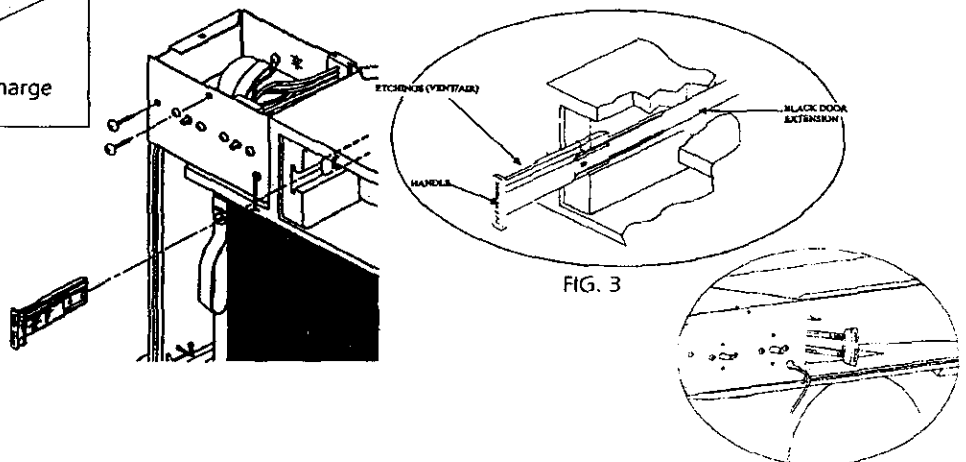
### Front Installation - Some Side Air Discharge Models (FIG. 2)

1. Position the top of the decorative front cover onto the top flange of metal case and then align the tabs on the front with slots in metal case.
2. Carefully pull down on the front cover to engage top tabs while pushing the front cover over the metal case. To ensure proper alignment the side locking tabs will "click" when the front cover is properly installed.  
**Note:** Power cord must be held in position inside metal case half-round relief while sliding front cover over metal case.
3. Install the front cover retaining screw at the bottom of the unit.

### Installing the Vent Control (on some models)

The vent control handle is included in the decorative front kit (Fig. 3). The handle must be installed before the decorative front is attached. See illustration below.

1. Insert the handle with the "Etchings (Vent/Air)" facing to the left.
2. Slip the black door extension into the split at the end of the handle.
3. For ease of assembly, Push the handle in while pressing the door extension against the foam until the two pieces lock together.
4. Move handle in and out to be sure vent is operating properly

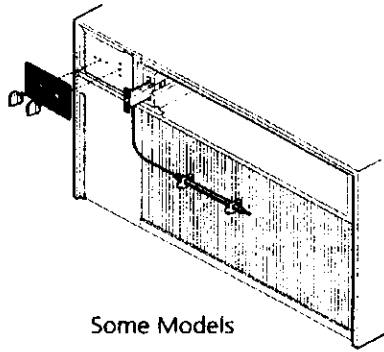


## Front Installation (continued)

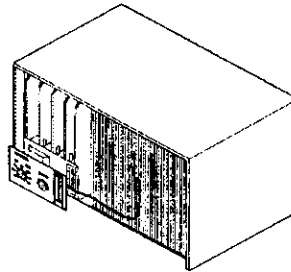
### Installing Dial Plate and Front Frame

Some models require installation of the dial plate and the front panel of the air conditioner included in a decorative kit. To assemble, follow these steps.

#### STEP 1: INSTALL DIAL PLATE AND BUTTONS OR KNOBS:



Some Models



Side Air Discharge

- Remove control knobs from front kit (some models).
- Carefully remove protective film from the front of the dial plate (some models).
- Line up holes on dial plate with the correct control stems and push dial plate to control panel surface.
- While holding dial plate in place install control knobs on protruding stems.

#### STEP 2: INSTALL FRONT FRAME TO UNIT.

##### Decorative Front

- Position the top of the decorative front over the top flange of the case, and align the tabs with the slots in the case.
- As you install the front frame to the unit be sure the vent handle is positioned through the front in the proper location.
- Carefully pull down on the front to engage the top tabs, while pushing the front over the case to ensure proper alignment.
- The side tabs will "click" when front is seated.
- Install front retaining screw(s) at the bottom of the front (Fig. 1), or behind the filter handle (Fig. 2).

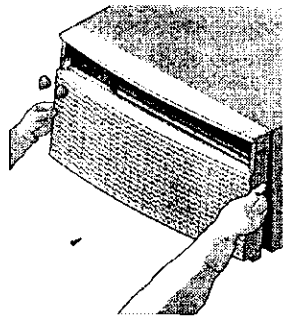


FIG. 1

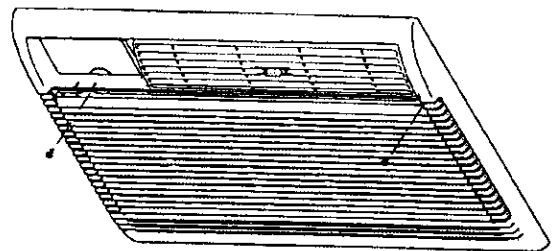


FIG. 2

## Using Air Conditioner

**NOTE:** If the air conditioner is turned off, wait 3 minutes before restarting. This allows pressure inside the compressor to equalize. Failure to follow these instructions may cause inefficient operation.

**⚠ WARNING** To reduce the risk of fire, electric shock, or injury to persons, read the IMPORTANT SAFETY INSTRUCTIONS before operating this appliance.

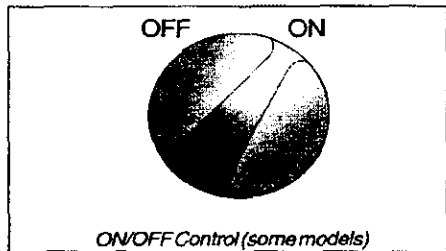
### To begin operating the air conditioner, follow these steps:

1. Plug in the air conditioner. (To prevent electrical hazards, do not use an extension cord or an adapter plug.)
2. Set the exhaust vent to the CLOSED position.
3. Set the thermostat to the highest number (coldest or cooler setting).
4. Set the selector control to the highest FAN or COOL setting (see below).
5. Adjust the louvers for comfortable air flow (see Air Directional Louvers).
6. Once the room has cooled, adjust the thermostat to the setting you find most comfortable.

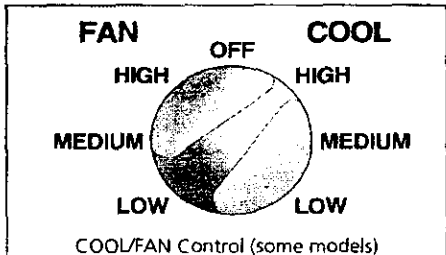
Review the "Air Conditioner Features" section for other settings.

## Air Conditioner Features

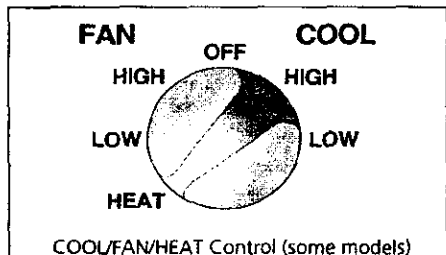
The controls featured in this manual are representational of the many models available. Your model may offer slightly different features.



ON/OFF Control (some models)



COOL/FAN Control (some models)



COOL/FAN/HEAT Control (some models)

### Selector Control

The selector control turns the unit on or off and allows a choice of either cooling room air, circulating room air at the existing temperature, or heating room air (some models).

### COOL/FAN

Operate COOL/FAN models according to the following suggestions:

- ON/OFF or OFF = Turns air conditioner on and off.
- HIGH COOL = Maximum cooling speed. Begin operation of the air conditioner in this mode.
- MEDIUM COOL (some models) = Fan runs slower for moderate cooling speeds.
- LOW COOL = Fan runs slow for quiet operation when maximum cooling is not needed.
- HIGH FAN = Maximum air circulation without cooling.
- MEDIUM FAN (some models) = Moderate air circulation without cooling.
- LOW FAN = Slow air circulation without cooling.

### HEAT (some models)

The HEAT selection provides quiet, efficient circulation of warm air. Turn the selector to the HEAT setting and set the thermostat at number 1, or lowest setting. When the HEAT setting is selected, the thermostat maintains the temperature by automatically turning the heater on and off in response to room temperature. The fan runs continuously to circulate air in the room.

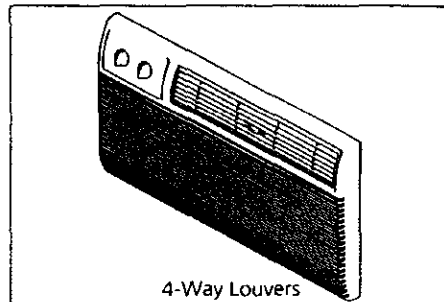
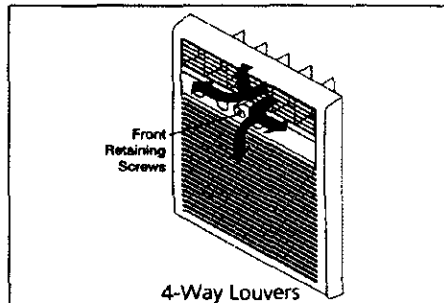
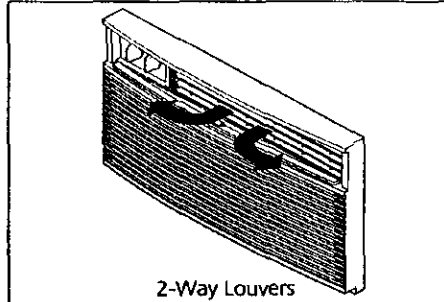
Once the room is warm, adjust the thermostat to a higher number. Higher numbers provide less heat, or cooler temperatures.

A slight heat odor may come from the unit when first switching to HEAT after the cooling season is over. This odor, caused by fine dust particles on the heater, will disappear quickly.





## Air Conditioner Features (continued)



## Air Directional Louvers

Air directional louvers control air flow direction. Your air conditioner has one of the louver types described below.

### 2-Way Louvers

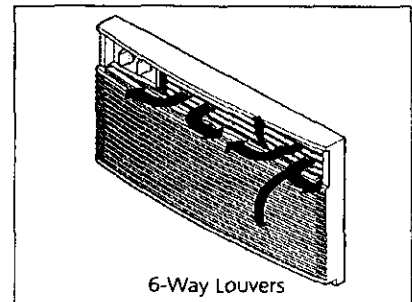
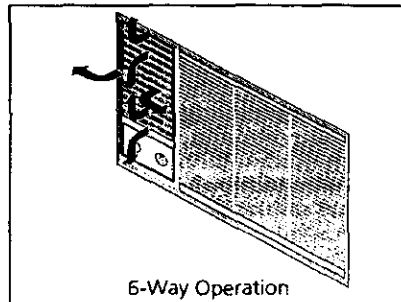
Louvers at the top front of some air conditioners permit side-to-side adjustment of airflow direction. Move the levers to direct air to either the left or right. The left lever adjusts the left half of the louver and the right lever adjusts the right half of the louver.

### 4-Way Louvers

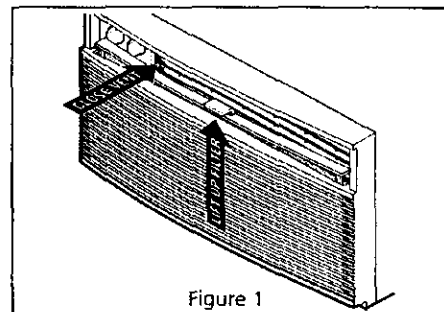
The 4-Way air directional louvers allow you to direct the air flow up or down, left or right throughout the room as needed. To adjust the air directional louvers side-to-side, use the center handle as you move it side-to-side.

### 6-Way Louvers

The 6-Way air directional louvers permit upward or straight-out air flow and air flow direction from side-to-side. This type of louver is also found on the Side Air Discharge models. The side-to-side air flow is achieved by moving the handle to either the left or right.



## Care and Cleaning



Clean your air conditioner occasionally to keep it looking new. **Be sure to unplug the unit before cleaning to prevent shock or fire hazards.**

### Air Filter Cleaning

The air filter should be checked at least once a month to see if cleaning is necessary. Trapped particles in the filter can build up and cause an accumulation of frost on the cooling coils. These conditions reduce cooling capacity. There are two types of filters: the rigid filter and the floppy filter.

**Models with rigid filters allow you to remove the filter without removing front:**

- Some models, push the vent control handle to the OFF position. Lift the filter straight up and out (Figure 1).

## Care and Cleaning cont.

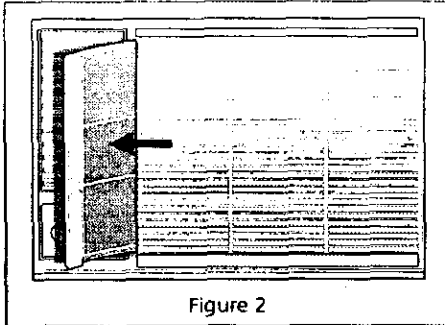


Figure 2

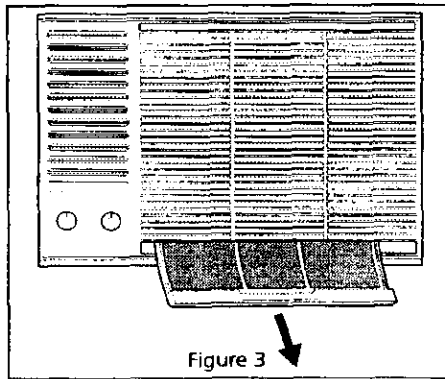


Figure 3

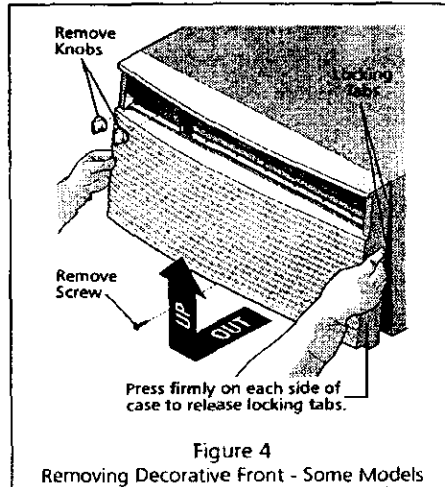


Figure 4  
Removing Decorative Front - Some Models

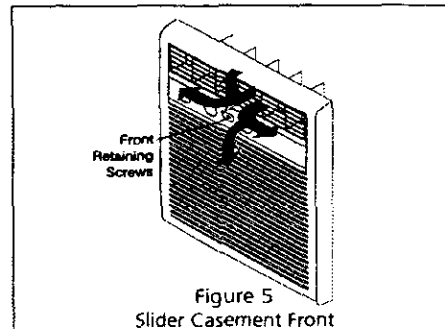


Figure 5  
Slider Casement Front

- 6-way louver models have a slide out filter. Grasp the formed handle of the filter and pull it to the left, removing it from the front panel (Figure 2).
- For most installations in the window, this front may need to be removed to access the filter for cleaning (Figure 3). To remove the front, reverse the installation process for Side Air Discharge Models shown in Front Installation.
- Some models require the louvers to be tilted in the up position, before pulling the filter out. Place the thumb under the center handle and pinch the top of the filter bar with your forefinger while pulling the filter up and out as shown in Figure 6.

Wash filter using a liquid dishwashing detergent and warm water. Rinse filter thoroughly. Gently shake excess water from the filter. Dry filter thoroughly before replacing.

### Cabinet Cleaning

- Be sure to unplug the air conditioner to prevent shock or fire hazard. The cabinet and front may be dusted with an oil-free cloth or washed with a cloth dampened in a solution of warm water and mild liquid dishwashing detergent. Rinse thoroughly and wipe dry.
- Never use harsh cleaners, wax or polish on the cabinet front.
- Be sure to wring excess water from the cloth before wiping around the controls. Excess water in or around the controls may cause damage to the air conditioner.
- The cabinet front can be removed for more thorough cleaning. Refer to "Front Installation" in this manual and Figures 4 and 5.
- Clean the front in a sink using liquid dishwashing detergent and warm water. Rinse thoroughly and dry. Be careful not to disturb soft seals on the front.
- Replace cabinet front. Replace the screws or hex nuts.
- Replace front panel and filter. Plug in air conditioner.

### Decorative Front and Dial Plate Removal

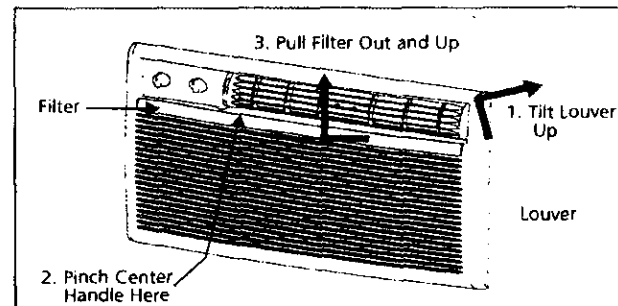
1. Unplug power cord from the wall outlet.
2. Remove knobs by pulling firmly, and then remove dial plate. Remove front retaining screw from the front (see Figure 4 or 5 for screw location, whichever is similar to your model).
3. Press firmly on each side of the metal case close to the front, approximately half way down for Figure 4, or 2/3 the way down from Figure 5 from the top of the front.
4. While pressing on the sides of the metal case, gently pull the front out and lift up to release it from the case.

### To reinstall:

- Proper reinstallation of decorative front is important for both safety and performance.
2. Position the top of the decorative front on the top flange of the case and align the tabs on the front with the slots in the case. On some models remove the filter to expose the two (2) front retaining screws.
  3. Carefully pull down on the front to engage the top tabs while pushing the front over the case to ensure proper alignment. The side locking tabs will "click" when the front is properly installed.
  4. Install the front retaining screw (see Figure 4 or 5 for screw location, whichever is similar to your model).
  5. Install the knobs by aligning them with their shafts and pushing firmly into place.

### Winter Storage

If you plan to store the air conditioner during the winter, remove it carefully from the window according to the installation instructions. Cover it with plastic or return it to the original carton. **NOTE: To prevent rust or electrical connections from being damaged, store air conditioner in an upright position and a dry place.** A winter cover can be purchased from your dealer. The cover will protect the air conditioner when it is left in place through the winter.



## Avoid Service Checklist

Before calling for service, review this list. It may save you time and expense. This list includes common occurrences that are not the result of defective workmanship or materials in this appliance.

<b>OCCURRENCE</b>	<b>SOLUTION</b>
<b>Air conditioner will not operate.</b>	Wall plug disconnected. Push plug firmly into wall outlet. House fuse blown or circuit breaker tripped. Replace fuse with time delay type or reset circuit breaker. Selector Control in OFF position. Turn selector to ON (some models) or the desired FAN or COOL setting. Unit turned off by moving thermostat to a higher number and then immediately turning back to a colder number. Wait approximately 3 minutes. Listen for compressor to start. Unit turned off and then on too quickly. Turn unit off and wait 3 minutes before restarting. Thermostat set too low. Adjust thermostat to higher number for cooling.
<b>Air from unit does not feel cold enough.</b>	Turn selector to a higher FAN or COOL position Thermostat set too warm. Set thermostat to colder temperature. Room temperature below 70°F (21°C). Cooling may not occur until room temperature rises above 70°F (21°C). Temperature sensing tube touching cold coil, located behind air filter. Straighten tube away from coil.
<b>Air conditioner cooling, but room is too warm -- ice forming on cooling coil behind decorative front.</b>	Outdoor temperature below 70°F (21°C). To defrost the coil, set selector to FAN position. Then, set thermostat to warmer position. Air filter may be dirty. Clean filter. Refer to Care and Cleaning section. To defrost, set selector to FAN. Thermostat set too cold for night-time cooling. To defrost the coil, set selector to a FAN position. Then, set thermostat to a warmer position.
<b>Air conditioner cooling, but room is too warm -- NO ice forming on cooling coil behind decorative front.</b>	Dirty air filter--air restricted. Clean air filter. Refer to Care and Cleaning section. Thermostat set too warm. Turn thermostat clockwise to a colder setting. Thermostat set on low number. Turn thermostat to higher number. Vent set at OPEN position. Set vent at CLOSED position for maximum cooling. Air directional louvres positioned improperly. Position louvres for better air distribution. Front of unit is blocked by drapes, blinds, furniture, etc. -- restricts air distribution. Clear blockage in front of unit. Doors, windows, registers, etc. open --cold air escapes. Close doors, windows, registers, etc. Unit recently turned on in hot room. Allow additional time to remove "stored heat" from walls, ceiling, floor and furniture.
<b>Air conditioner turns on and off rapidly.</b>	Dirty air filter-- air restricted. Clean air filter. Outside temperature extremely hot. Set FAN on high speed to bring air past cooling coils more frequently.
<b>Noise when unit is cooling.</b>	Air movement sound. This is normal. If too loud, turn selector to lower FAN setting. Sound of fan hitting water-moisture removal system. This is normal when humidity is high. Close doors, windows and registers. Window vibration--poor installation. Refer to installation instructions or check with installer.
<b>Water dripping INSIDE when unit is cooling.</b>	Improper installation. Tilt air conditioner slightly to the outside to allow water drainage. Refer to installation instructions--check with installer.
<b>Water dripping OUTSIDE when unit is cooling.</b>	Unit removing large quantity of moisture from humid room. This is normal during excessively humid days.