

# 36 " GAS RANGE INSTALLATION INSTRUCTIONS



**INSTALLATION AND SERVICE MUST BE PERFORMED BY A QUALIFIED INSTALLER.**  
**IMPORTANT: SAVE FOR LOCAL ELECTRICAL INSPECTOR'S USE.**  
**READ AND SAVE THESE INSTRUCTIONS FOR FUTURE REFERENCE.**

**⚠ WARNING** If the information in this manual is not followed exactly, a fire or explosion may result causing property damage, personal injury or death.

### FOR YOUR SAFETY:

- Do not store or use gasoline or other flammable vapors and liquids in the vicinity of this or any other appliance.
- **WHAT TO DO IF YOU SMELL GAS:**
  - Do not try to light any appliance.
  - Do not touch any electrical switch; do not use any phone in your building.
  - Immediately call your gas supplier from a neighbor's phone. Follow the gas supplier's instructions.
  - If you cannot reach your gas supplier, call the fire department.
- Installation and service must be performed by a qualified installer, service agency or the gas supplier.

### Appliances Installed in the state of Massachusetts:

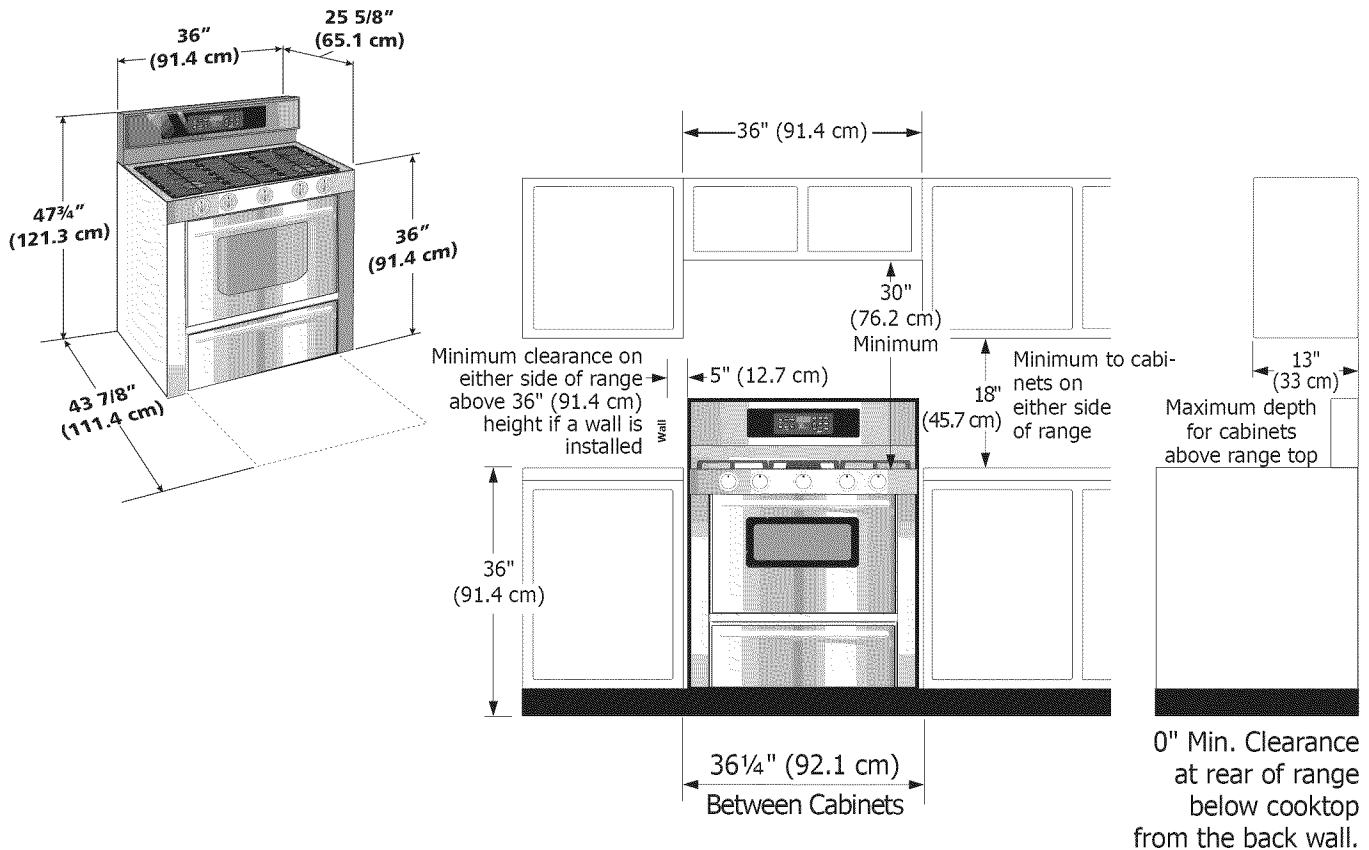
This Appliance can only be installed in the state of Massachusetts by a Massachusetts licensed plumber or gasfitter.

This appliance must be installed with a 3 foot (36 in.) long flexible gas connector.

A "T" handle type manual gas valve must be installed in the gas supply line to this appliance.

### Dimensions and Clearance

Provide adequate clearance between range and adjacent combustible surfaces.



**Figure 1**

**NOTE: Wiring diagram for this appliance is enclosed in this booklet.**

P/N 318201765 (1010) Rev. A  
English – pages 1-7  
Español – páginas 8-15  
Wiring Diagram - pages 16

# 36" GAS RANGE INSTALLATION INSTRUCTIONS

1. Read all instructions contained in these installation instructions before installing range.
2. Remove all packing material from the oven compartments before connecting the gas and electrical supply to the range.
3. Observe all governing codes and ordinances.
4. Be sure to leave these instructions with the consumer.
5. Note: For operation at 2000 ft. elevations above sea level, appliance rating shall be reduced by 4 percent for each additional 1000 ft.

Keep these instructions with your Use & Care Guide for future reference.

## Important Note to the Consumer

Keep these instructions with your Use & Care Guide for future reference.

## IMPORTANT SAFETY INSTRUCTIONS

Installation of this range must conform with local codes or, in the absence of local codes, with the National Fuel Gas Code ANSI Z223.1/NFPA .54-latest edition.

This range has been design certified by CSA International. As with any appliance using gas and generating heat, there are certain safety precautions you should follow. You will find them in the Use and Care Guide, read it carefully.

- **Be sure your range is installed and grounded properly by a qualified installer or service technician.**
- **This range must be electrically grounded in accordance with local codes or, in their absence, with the National Electrical Code ANSI/NFPA No. 70—latest edition.** See Grounding Instructions.
- The installation of appliances designed for manufactured (mobile) home installation must conform with Manufactured Home Construction and

Safety Standard, title 24CFR, part 3280 [Formerly the Federal Standard for Mobile Home Construction and Safety, title 24, HUD (part 280)] or when such standard is not applicable, the Standard for Manufactured Home Installation 1982 (Manufactured Home Sites, Communities and Set ups), ANSI Z225.1 latest edition, or local codes.

- **Before installing the range in an area covered with linoleum or any other synthetic floor covering, make sure the floor covering can withstand heat at least 90°F above room temperature without shrinking, warping or discoloring.** Do not install the range over carpeting unless you place an insulating pad or sheet of ¼" (10,16 cm) thick plywood between the range and carpeting.
- **Make sure the wall coverings around the range can withstand the heat generated by the range.**
- **Do not obstruct the flow of combustion air at the oven vent nor around the base or beneath the lower front panel of the range.** Avoid touching the vent openings or nearby surfaces as they may become hot while the oven is in operation. This range requires fresh air for proper burner combustion.

**⚠ WARNING** Never leave children alone or unattended in the area where an appliance is in use. As children grow, teach them the proper, safe use of all appliances. Never leave the oven door open when the range is unattended.

**⚠ WARNING** Stepping, leaning or sitting on the doors or drawers of this range can result in serious injuries and can also cause damage to the range.

- **Do not store items of interest to children in the cabinets above the range.** Children could be seriously burned climbing on the range to reach items.
- **To eliminate the need to reach over the surface burners, cabinet storage space above the burners should be avoided.**
- **Adjust surface burner flame size so it does not extend beyond the edge of the cooking utensil.** Excessive flame is hazardous.
- **Do not use the oven as a storage space.** This creates a potentially hazardous situation.
- **Never use your range for warming or heating the room.** Prolonged use of the range without adequate ventilation can be dangerous.
- **Do not store or use gasoline or other flammable vapors and liquids near this or any other appliance.** Explosions or fires could result.

**⚠ CAUTION** Do not make any attempt to operate the electric ignition oven during an electrical power failure. Resumption of electric power when OVEN TEMP and OVEN SET controls are in any position other than OFF will result in



### ⚠ WARNING

- All ranges can tip.
  - Injury to persons could result.
  - Install anti-tip device packed with range.
- To reduce the risk of tipping of the range, the range must be secured by properly installed anti-tip bracket (s) provided with the range. To check if the bracket(s) is installed properly, grasp the top rear edge of the range and carefully tilt it forward to make sure the range is anchored.

# 36 " GAS RANGE INSTALLATION INSTRUCTIONS

automatic ignition of the oven or broiler burner. **The oven burner and broil burner on your range are lighted by electrical ignition. The oven and broiler cannot be operated in the event of a power failure.**

- In the event of an electrical power outage, the surface burners can be lit manually. To light a surface burner, hold a lit match to the burner head and slowly turn the Surface Control knob to LITE. Use caution when lighting surface burners manually.
- **Reset all controls to the "off" position whenever the oven is done cooking.**

## FOR MODELS WITH SELF-CLEAN FEATURE:

- **Remove broiler pan, food and other utensils before self-cleaning the oven.** Wipe up excess spillage. Follow the precleaning instructions in the Use and Care Guide.
- **Unlike the standard gas range, THIS COOKTOP IS NOT REMOVABLE.** Do not attempt to remove the cooktop.

## 1. Before Installing the Range

### Remove shipping material

Remove all tape, shipping and packaging materials and the oven rack packaging.

## 2. Provide an adequate Gas Supply

When shipped from the factory, this unit is designed to operate on 4"(10,16 cm) water column (1.0 kPa) Natural gas manifold pressure. A convertible pressure regulator is connected to the range manifold and **MUST** be connected in series with the gas supply line. If LP/Propane conversion kit has been used, follow instructions provided with the kit for converting the pressure regulator to LP/Propane use.

Care must be taken during installation of range not to obstruct the flow of air for combustion and ventilation.

For proper operation, the maximum inlet pressure to the regulator should be no more than 14"(35,56 cm) of water column pressure (3.5 kPa). The inlet pressure to the regulator must be at least 1" (.25 kPa) greater than the regulator manifold pressure setting. Examples: If regulator is set for natural gas 4"(10,16 cm) manifold pressure, inlet pressure must be at least 5"(12,60 cm); if regulator has been converted for LP/Propane gas 10"(25,4 cm) manifold pressure, inlet pressure must be at least 11"(27,9 cm).

Leak testing of the appliance shall be conducted according to the instructions in step 4.

The gas supply line should be 1/2" or 3/4" I.D. (Interior Diameter)

## 3. Seal the openings

Seal any openings in the wall behind the range and in the floor under the range after gas supply line is installed.

## 4. Connect the range to the gas supply

**Important:** Remove all packing material and literature from range before connecting gas and electrical supply.

To prevent leaks, put pipe joint sealant on all external pipe threads.

Your regulator is in location shown below.

**CAUTION** Do not allow regulator to rotate on pipe when tightening fittings.

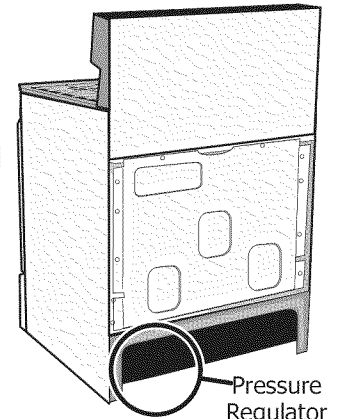
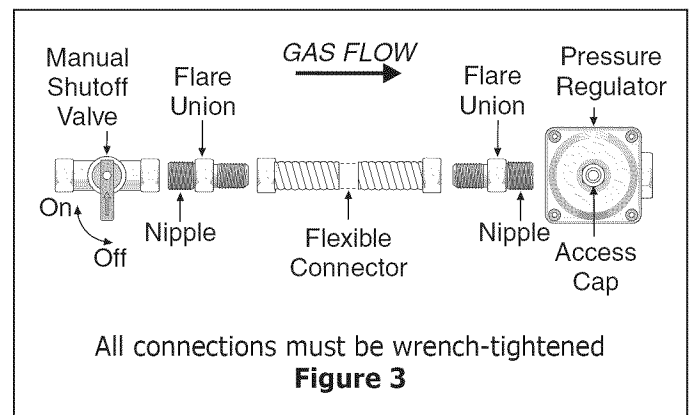


Figure 2

## Connection to Pressure Regulator

The regulator is already installed on the appliance.

**WARNING** Do not make the connection too tight. The regulator is die cast. Overtightening may crack the regulator resulting in a gas leak and possible fire or explosion.



Assemble the flexible connector from the gas supply pipe to the pressure regulator in the following order:

1. manual shutoff valve (not included)
2. 1/2" nipple (not included)
3. 1/2" flare union adapter (not included)
4. flexible connector (not included)
5. 1/2" flare union adapter (not included)
6. 1/2" nipple (not included)
7. pressure regulator (Included)

# 36" GAS RANGE INSTALLATION INSTRUCTIONS

Use pipe-joint compound made for use with Natural and LP/Propane gas to seal all gas connections. If flexible connectors are used, be certain connectors are not kinked. The supply line must be equipped with an approved manual shutoff valve. This valve should be located in the same room as the range and should be in a location that allows ease of opening and closing. Do not block access to the shutoff valve. The valve is for turning on or shutting off gas to the appliance.

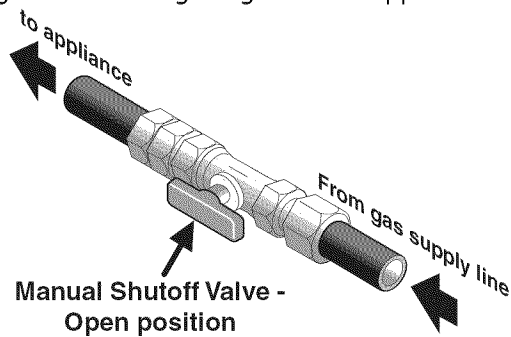


Figure 4

Once regulator is in place, open the shutoff valve in the gas supply line. Wait a few minutes for gas to move through the gas line.

**Check for leaks.** After connecting the range to the gas supply, check the system for leaks with a manometer. If a manometer is not available, turn on the gas supply and use a liquid leak detector (or soap and water) at all joints and connections to check for leaks.

**WARNING** Do not use a flame to check for leaks from gas connections. Checking for leaks with a flame may result in a fire or explosion.

**Tighten all connections** as necessary to prevent gas leakage in the range or supply line.

**Disconnect this range** from the gas supply piping system during any pressure testing of that system at test pressures greater than 1/2 psig (3.5 kPa or 14" water column).

**Isolate the range from the gas supply piping system** by closing its individual manual shutoff valve during any pressure testing of the gas supply piping system at test pressures equal to or less than 1/2 psig (3.5 kPa or 14" water column).

## 5. LP/Propane Gas Conversion

This appliance can be used with Natural gas or LP/Propane gas. It is shipped from the factory for use with natural gas.

The range comes supplied with fixed orifices for converting it to LP gas. These orifices are located in a bag marked FOR LP/PROPANE GAS CONVERSION. The instructions for surface, oven and broil burner conversion are packaged with the orifices.

The conversion must be performed by a qualified service technician in accordance with the manufacturer's instructions and all local codes and requirements. Failure to follow these instructions could result in serious injury or property damage. The qualified agency performing this work assumes responsibility for the conversion.

**WARNING** Failure to make the appropriate conversion can result in serious personal injury and property damage.

## 6. Electrical Requirements

120 volt, 60 Hertz, properly grounded dedicated circuit protected by a 15 amp circuit breaker or time delay fuse. **NOTE:** This range is not recommended to be installed with a Ground Fault Interrupt (GFI).

**Do not use an extension cord with this range.**

### Grounding Instructions

**IMPORTANT** Please read carefully.

**For personal safety, this appliance must be properly grounded.**

The power cord of this appliance is equipped with a 3-prong (grounding) plug which mates with a standard 3-prong grounding wall receptacle (see Figure 5) to minimize the possibility of electric shock hazard from the appliance.

The wall receptacle and circuit should be checked by a qualified electrician to make sure the receptacle is properly grounded.

**Preferred Method**  
Grounding type  
wall receptacle

**Do not, under any circumstances, cut, remove, or bypass the grounding prong.**

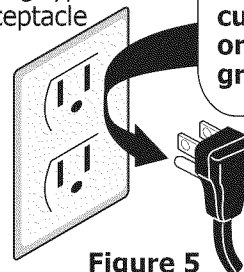


Figure 5

Power supply cord with 3-prong grounding plug.

Where a standard 2-prong wall receptacle is installed, it is the personal responsibility and obligation of the consumer to have it replaced by a properly grounded 3-prong wall receptacle.

**Do not, under any circumstances, cut or remove the third (ground) prong from the power cord.**

**WARNING** Disconnect electrical supply cord from wall receptacle before servicing range.

# 36 " GAS RANGE INSTALLATION INSTRUCTIONS

## 7. Moving the Appliance for Servicing and Cleaning

Turn off the range line fuse or circuit breakers at the main power source, and turn off the manual gas shut-off valve. Make sure the range is cold. Remove the service drawer (warmer drawer on some models) and open the oven door. Lift the range at the front and slide it out of the cut-out opening without creating undue strain on the flexible gas conduit. Make sure not to pinch the flexible gas conduit at the back of the range when replacing the unit into the cut-out opening. Replace the drawer, close the door and switch on the electrical power and gas to the range.

## 8. Check Operation

Refer to the Use and Care Guide packaged with the range for operating instructions and for care and cleaning of your range.

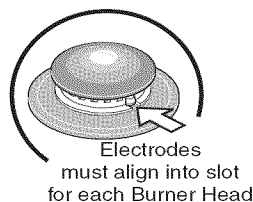
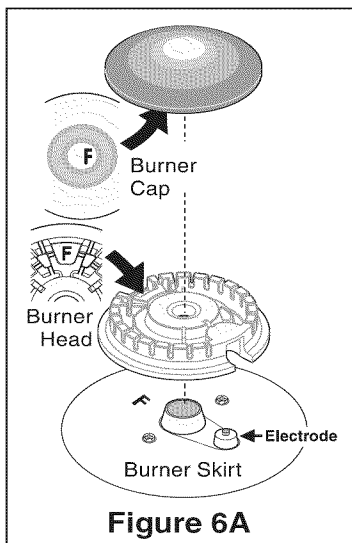
Remove all packaging from the oven before testing.

### 8.1 Install Burner Bases and Burner Caps This range is equipped with sealed burners as shown (see Figure 6).

It is very important to make sure that all of the Surface Burner Heads, Surface Burner Caps and Surface Burner Grates are installed correctly.

1. Remove all packing tape from cooktop. Remove Burner Caps and Burner Heads (See Figure 6A).
2. Discard all packing material located under all Burner Heads.
3. To correctly place Burner Heads & Caps, match the letters located under center of Burner Caps with the letters located inside Burner Head (See Figure 6A).
4. Match the letters stamped on Burner skirts with Burner Heads and Burner Caps on cooktop. Carefully align the Electrodes into slots of the Burner Heads (Figure 6B). Note: The Burner Heads should sit flat on Cooktop Burner Skirts.

5. Unpack Burner Grates and position on cooktop.
- NOTE:** There are no burner adjustments necessary on this range.



### 8.2 Turn on Electrical Power and Open Main Shutoff Gas Valve

### 8.3 Check the Igniters

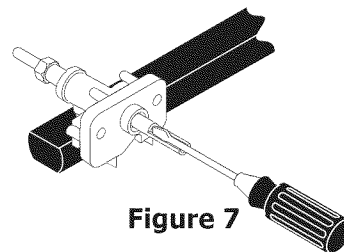
Operation of electric igniters should be checked after range and supply line connectors have been carefully checked for leaks, and range has been connected to electric power. To check for proper lighting:

- a. Push in and turn a surface burner knob to the LITE position. You will hear the igniter sparking.
- b. The surface burner should light when gas is available to the top burner. Each burner should light within four (4) seconds after air has been purged from supply lines. Visually check that burner has lit.
- c. Once the burner lights, the control knob should be rotated out of the LITE position.

There are separate ignition devices for each burner. Try each knob separately until all burner valves have been checked.

### 8.4 Adjust the "LOW" Setting of Surface Burner Valves (see Figure 7)

- a. Push in and turn each control to LITE until burner ignites.
- b. Quickly turn knob to LOWEST POSITION.
- c. If burner goes out, readjust valve as follows: Reset control to OFF. Remove the surface burner control knob, insert a thin-bladed screw driver into the hollow valve stem and engage the slotted screw inside. Flame size can be increased or decreased with the turn of the screw. Adjust flame until you can quickly turn knob from LITE to LOWEST POSITION without extinguishing the flame. Flame should be as small as possible without going out.



### 8.5 Operation of Oven Burners and Oven Adjustments

#### 8.5.1 Electric Ignition Burners

Operation of electric igniters should be checked after range and supply line connectors have been carefully checked for leaks, and range has been connected to electric power.

The oven burner is equipped with an electric control system as well as an electric oven burner igniter. If your model is equipped with a waist-high broil burner igniter, it will also have an electric burner igniter. These control

# 36" GAS RANGE INSTALLATION INSTRUCTIONS

systems require no adjustment. When the oven is set to operate, current will flow to the igniter. It will "glow" similar to a light bulb. When the igniter has reached a temperature sufficient to ignite gas, the electrically controlled oven valve will open and flame will appear at the oven burner. There is a time lapse from 30 to 60 seconds after thermostat is turned ON before the flame appears at the oven burner. When the oven reaches the display setting, the glowing igniter will go off. The burner flame will go "out" in 20 to 30 seconds after igniter goes "OFF". To maintain any given oven temperature, this cycle will continue as long as the display is set to operate.

After removing all packing materials and literature from the oven:

- Set the oven to BAKE at 300°F. See Use & Care Guide for operating instructions.
- Within 60 seconds the oven burner should ignite. Check for proper flame (see 8.5.2), and allow the burner to cycle once (see cycle explanation above). Reset controls to off.
- If your model is equipped with a waist-high broiler burner, set oven to broil. See Use & Care Guide for operating instructions.
- Within 60 seconds the broil burner should ignite. Check for proper flame (see 8.5.3). Reset controls to off.

## 8.5.2 Oven Burner Flame Adjustment

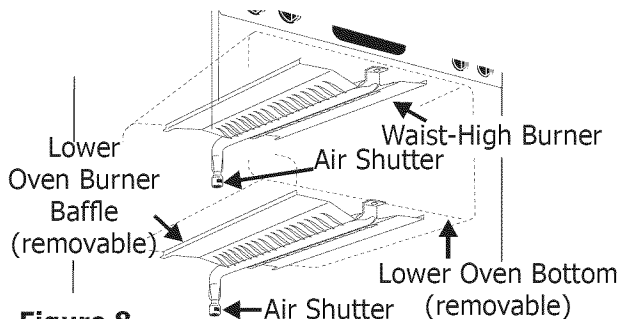


Figure 8

The approximate oven burner flame length is 1 inch (distinct inner cone of blue flame).

To determine if the oven burner flame is proper, remove the oven bottom and burner baffle and set the oven to bake at 300°F.

To remove the oven bottom, remove oven hold down screws at rear of oven bottom. Pull up at rear, disengage front of oven bottom from oven front frame, and pull the oven bottom out of the oven. Remove burner baffle so that burner flame can be observed.

If the flame is yellow, increase air shutter opening size (see "2" in Figure 9). If the entire flame is blue, reduce the air shutter opening size.

To adjust flame loosen lock screw (see "3" in Figure 9), reposition air shutter, and tighten lock screw. Replace oven bottom.

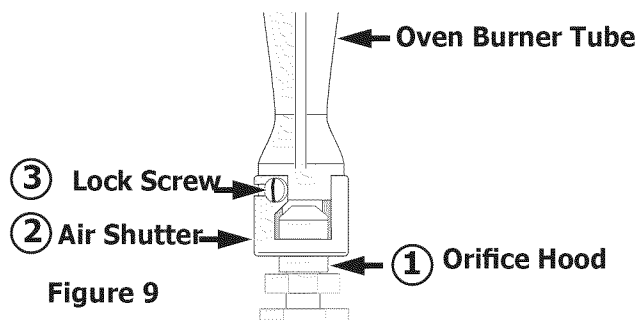


Figure 9

## 8.5.3 Broil Burner Flame Adjustment

The approximate flame length of the burner is 1 inch (distinct inner cone of blue flame). To determine if the broil burner flame is proper, set the oven to broil. If flame is yellow, increase air shutter opening size (see "2" in Figure 9 ). If the entire flame is blue, reduce the air shutter opening size. To adjust, loosen lock screw (see "3" in Figure 9), reposition air shutter, and tighten lock screw.

## 9. Make Sure Range Is Level

Check if the range is level by placing a level horizontally on an oven rack. Check diagonally from front to back, then level the range by either adjusting the leveling legs or by placing shims under the corners of the range as needed.

## When All Hookups are Complete

Make sure all controls are left in the OFF position.

Make sure the flow of combustion and ventilation air to the range is unobstructed.

## Model and Serial Number Location

The serial plate is located on the oven front frame behind the drawer.

When ordering parts for or making inquiries about your range, always be sure to include the model and serial numbers and a lot number or letter from the serial plate on your range.

Your serial plate also tells you the rating of the burners, the type of fuel and the pressure the range was adjusted for when it left the factory.

## Before You Call for Service

Read the Before You Call for Service Checklist and operating instructions in your **Use and Care Guide**. It may save you time and expense. The list includes common occurrences that are not the result of defective workmanship or materials in this appliance.

Refer to the warranty in your **Use and Care Guide** for our service phone number and address. Please call or write if you have inquiries about your product and/or need to order parts.

# 36 " GAS RANGE INSTALLATION INSTRUCTIONS

## 10. Anti-tip Bracket Installation

### Important Safety Warning

This range must be properly secured to the floor by using the included anti-tip brackets and screws. Failure to install the brackets could allow the range to accidentally tip over if excessive weight is placed on an open door or if a child climbs upon it. Serious injury might result from spilled hot liquids or from the range itself. Refer to the instructions below for proper installation (Figure 10).

**NOTE:** If the range is ever moved to a different location, the anti-tip brackets must also be moved and installed with the range.

**The anti-tip kit is located in a plastic bag in the oven.**

### Tools Required:

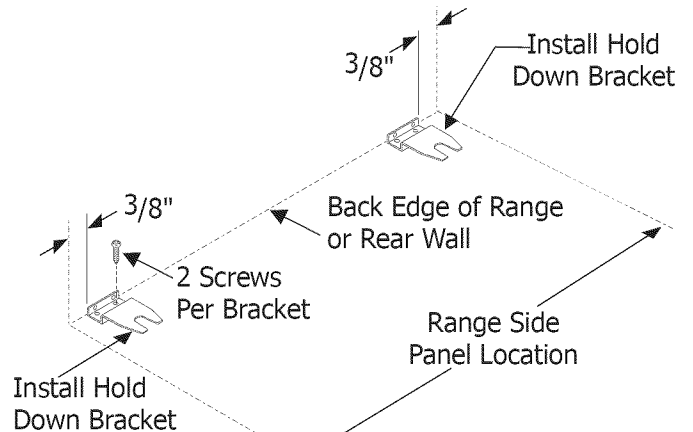
5/16" Nutdriver or Flat Head Screwdriver  
Adjustable Wrench  
3/16" Dia. Masonry Drill Bit (if installing in concrete)

Attach brackets to the floor at the back of the range to hold both rear leg levelers. When fastening to the floor, be sure that screws do not penetrate electrical wiring or plumbing. The screws provided will work in either wood or concrete.

Range may be anchored to floor in a house with hold down brackets as illustrated in Figure 10. These hold down brackets allow range to be freely pulled out from the wall for cleaning or servicing without the use of tools.

1. Attach brackets to the floor or rear wall with screws provided. **Important:** Attachment must be secured to solid floor or wall. Do not attach to plaster, sheet rock, or other soft material. If attachment is to rear wall, any moldings must be removed in area behind range.
2. If brackets are to be attached to masonry or ceramic floors, position brackets on floor and mark hole location. Drill 3/16" holes.
3. Lower both rear leg levelers about three turns so the brackets will slide over leveler head.
4. Level the range front to back and side to side with the two front leg levelers and the rear levelers.

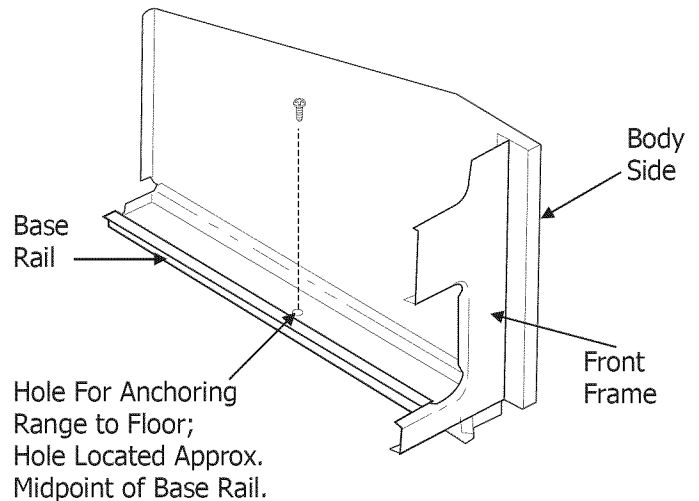
5. Slide range into place making sure rear legs are trapped by ends of brackets. Range may need to be shifted slightly to one side as it is being pushed back to allow rear legs to align with brackets. Remove lower panel or storage drawer to inspect brackets or grasp the top rear edge of the range and carefully attempt to tilt it forward to make sure range is properly anchored.



**Figure 10**

For mobile homes, the range must be anchored to the floor as illustrated in Figure 11.

1. Remove false panel or storage drawer to gain access to the anchoring holes.
2. A 1/4" diameter hole is provided in the center of each base rail for anchoring to floor.



**Figure 11**

**WARNING** Stepping, leaning or sitting on the door or drawer of this range can result in serious injuries and also cause damage to the range.

# INSTRUCCIONES DE INSTALACIÓN PARA LA ESTUFA A GAS DE 36"

LA INSTALACIÓN Y EL SERVICIO DEBEN SER EFECTUADOS POR UN INSTALADOR CALIFICADO.

**IMPORTANTE: GUARDE ESTAS INSTRUCCIONES PARA USO DEL INSPECTOR LOCAL DE ELECTRICIDAD. LEA Y GUARDE ESTAS INSTRUCCIONES PARA REFERENCIA FUTURA.**

**⚠ ADVERTENCIA** Si todas las instrucciones de éste manual no son observadas a la letra, se puede ocurrir incendios o explosiones que pueden causar daños materiales, lesiones o la muerte.

- No almacene o utilice gasolina u otros vapores y líquidos inflamables cerca de este o cualquier otro artefacto.
- **QUE HACER SI HAY FUGAS DE GAS**
  - No intente de encender ningún artefacto
  - No toque ningún interruptor eléctrico; no utilice ningún aparato telefónico en su edificio.
  - Llame inmediatamente el abastecedor de gas desde el telefónico de un vecino. Siga las instrucciones del abastecedor de gas
  - En caso que no puede contactar el abastecedor de gas, llame al departamento de bomberos.
- La instalación y el servicio técnico deben ser realizados por un instalador calificado, por un servicio técnico certificado o por el abastecedor de gas.



## Aparatos Instalados en el estado de Massachusetts;

Este Aparato sólo puede ser instalado en el estado de Massachusetts por un plomero o ajustador de gas licenciado de Massachusetts.

Este aparato se debe instalar con un largo conector flexible de gas de tres (3) pies/36 pulgadas.

Una válvula manual de gas de tipo manija de forma de "T" se debe instalar en la línea del suministro de gas de este aparato.

## Dimensiones y espacios libres

Provee adecuados espacios libres entre la estufa y las superficies combustibles adyacentes

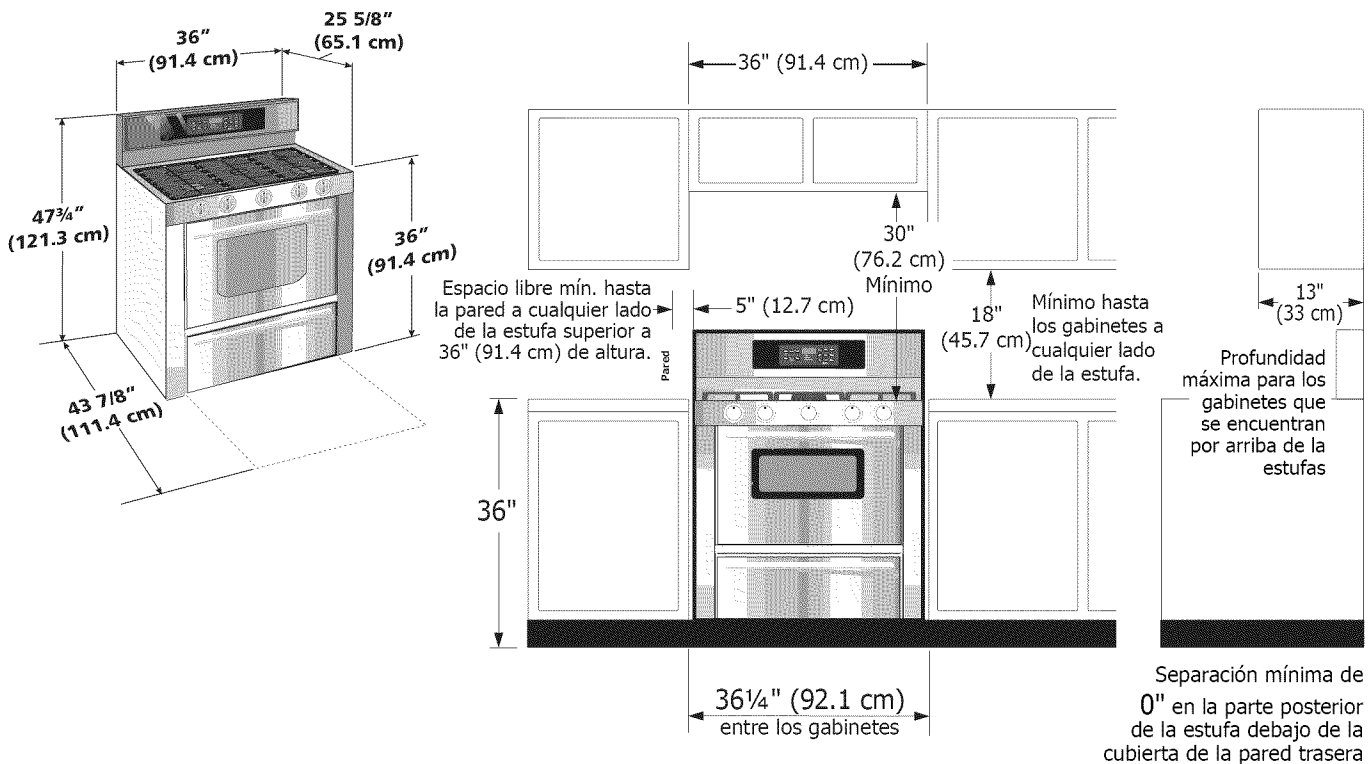


Figura 1

**NOTA:** Se adjunta los diagramas de cables de estas estufas con el libreta.

P/N 318201765 (1010) Rev. A

English – pages 1-7

Español – páginas 8-15



# INSTRUCCIONES DE INSTALACIÓN PARA LA ESTUFA A GAS DE 36"

## Notas importantes para el Instalador

1. Lea todas las instrucciones contenidas en este manual antes de instalar la estufa.
2. Saque todo el material usado en el embalaje del compartimiento del horno antes de conectar el suministro eléctrico o de gas a la estufa.
3. Observe todos los códigos y reglamentos pertinentes.
4. Deje estas instrucciones con el comprador.
5. Nota: Para la utilización a más de 2 000 pies de altura, la potencia del aparato deberá ser reducida de 4 por ciento a cada 1 000 pies adicionales.

## Nota Importante para el Consumidor

Conserve estas instrucciones y el Manual del Usuario para referencia futura.

## IMPORTANTES INSTRUCCIONES DE SEGURIDAD

Instalación de esta estufa debe cumplir con todos los códigos locales, o en ausencia de códigos locales con el Código Nacional de Gas Combustible ANSI Z223.1/NFPA.54—última edición.

El diseño de esta estufa ha sido certificado por la CSA Internacional. En éste como en cualquier otro artefacto que use gas y genere calor, hay ciertas precauciones de seguridad que usted debe seguir. Estas serán encontradas en el Manual del Usuario, léalo cuidadosamente.

- **Asegúrese de que la estufa sea instalada y conectada a tierra en forma apropiada por un instalador calificado o por un técnico.**
- **Esta estufa debe ser eléctricamente puesta a tierra de acuerdo con los códigos locales, o en su ausencia, con el Código Eléctrico Nacional ANSI/NFPA No. 70, última edición.** Vea las instrucciones para la puesta a tierra
- La instalación de unidades diseñadas para casas (movibles) deben cumplir con los estándares de "Manufactured Home Construction and Safety Standard, title 24 CFR part 3280". (Anteriormente "The Federal Standard for Mobile Home Construction and Safety title 24, HUD (Part 280)". O cuando estos estándares no sean aplicables: "The Standard for

Manufactured Home Installation 1982, (Manufactured Home Sites, Communities and set-ups), ANSI Z225.1, última edición o códigos y regulaciones locales.


- **Asegúrese de que el material que recubre las paredes alrededor de la estufa, pueda resistir el calor generado por la estufa.**
- **No obstruya el flujo del aire de combustión en la ventilación del horno ni tampoco alrededor de la base o debajo del panel inferior delantero de la estufa.** Evite tocar las aberturas o áreas cercanas de la ventilación, ya que pueden estar muy calientes durante el funcionamiento del horno. La estufa requiere aire fresco para la combustión apropiada de los quemadores.

**⚠ ADVERTENCIA** Nunca deje niños solos o desatendidos en un área donde un artefacto está siendo usado. A medida que los niños crecen, enséñeles el uso apropiado y de seguridad para todos los artefactos. Nunca deje la puerta del horno abierta cuando la estufa está desatendida.

**⚠ ADVERTENCIA** No se pare, apoye o siente en las puertas o cajones de esta estufa pues puede resultar en serias lesiones y puede también causar daño a la estufa.

- **No almacene artículos que puedan interesar a los niños en los gabinetes sobre la estufa.** Los niños pueden quemarse seriamente tratando de trepar a la estufa para alcanzar estos artículos.
- **Los gabinetes de almacenamiento sobre la estufa deben ser evitados, para eliminar la necesidad de tener que pasar sobre los quemadores superiores de la estufa para llegar a ellos.**
- **Ajuste el tamaño de la llama de los quemadores superiores de tal manera que ésta no sobrepase el borde de los utensilios de cocinar.** La llama excesiva es peligrosa.
- **No use el horno como espacio de almacenaje.** Esto creará una situación potencialmente peligrosa.
- **Nunca use la estufa para calentar el cuarto.** El uso prolongado de la estufa sin la adecuada ventilación puede resultar peligroso.
- **No almacene ni utilice gasolina u otros vapores y líquidos inflamables en la proximidad de éste o de cualquier otro artefacto eléctrico.** Puede provocar incendio o explosión.

**⚠ ADVERTENCIA** No trate de usar el horno de encendido eléctrico durante un corte de energía. El reestablecimiento del servicio eléctrico cuando los controles de TEMP DEL HORNO y de REGULACIÓN DEL HORNO están en cualquier posición diferente a APAGADO causaría el encendido automático del quemador del horno o del quemador de la parrilla. **Durante un corte de energía eléctrica se pueden encender los quemadores de la cubierta con una cerilla.** Acerque una cerilla encendida al quemador

	<b>⚠ ADVERTENCIA</b> Reducir el riesgo de que se vuelque la estufa, hay que asegurarla adecuadamente colocandole los soportes antivuelco que se proporcionan. Para comprobar si estos están instalados y apretados en su lugar como se debe, ase el borde trasero superior de la estufa y cuidadosamente inclínela hacia adelante para asegurar que la estufa se ancle.
<ul style="list-style-type: none"><li>• Todas las estufas pueden volcarse.</li><li>• Esto podría resultar en lesiones personales.</li><li>• Instale el dispositivos antivuelco que se ha empacado junto con esta estufa.</li></ul>	

# INSTRUCCIONES DE INSTALACIÓN PARA LA ESTUFA A GAS DE 36"

y luego gire lentamente el botón a la posición ENCENDIDO (LITE). **Tenga extremo cuidado al encender los quemadores en esta forma.**

- En caso de una interrupción del servicio eléctrico, es posible de encender los quemadores de superficie a mano. Para encender un quemador de superficie, acerque un fósforo encendido del cabezal del quemador, y gire delicadamente el botón de control de superficie a LITE (encendido). Tener cuidado al encender los quemadores a mano.
- **Ajuste todos los controles a la posición "OFF" (apagada) después de haber hecho una operación.**

## PARA MODELOS AUTOLIMPIANTES:

- **Saque la asadera, alimentos o cualquier otro utensilio antes de usar el ciclo de auto limpieza del horno.** Limpie todo exceso de derrame de alimentos. Siga las instrucciones de pre lavado en el Manual del Usuario.
- **A diferencia de la gama estándar cocinas de gas, ESTA PLANCHA DE COCINA NO ES MOVIBLE.** No intente quitar la plancha de cocina.

## 1. Antes de instalar la estufa a gas

### Remueva todos los artículos de embalaje

Retire toda la cinta, todos los artículos de embalaje y de expedición, y el embalaje de la rejilla del horno. Levante la plancha para cocinar y remueva los dos tornillos de expedición de los quemadores de la plancha para cocinar.

## 2. Proporcione un suministro de gas adecuado

Cuándo se envía de la fábrica, Esta unidad ha sido ajustada para operar con un múltiple de admisión para gas natural de 4" (10.16 cm)(1.0 kPa). Un regulador de presión convertible esta conectado a la válvula distribuidora y DEBE ser conectado con la tubería del suministro de gas. Si el juego de conversión del propano LP/Propano se ha utilizado, sigue las instrucciones proporcionadas el juego para convertir el regulador de presión al uso de LP/Propano.

Se debe de tener cuidado durante la instalación de la estufa para no obstruir el flujo de aire de combustión y ventilación

Para la operación apropiadas, la máxima presión de entrada al regulador no debe exceder la presión de una columna de agua de 14"(35,56 cm) (3.5 kPa). La presión de entrada al regulador debe ser por lo menos 1" (.25 kPa) más grande que la válvula distribuidora. Ejemplos: Si regulador se pone para el gas natural con una presión de 4"(10,16 cm), la presión de entrada al regulador debe ser por lo menos 5"(12.60 cm); si el regulador se ha convertido para gas LP/Propano 10"(25,4 cm) la presión de entrada al regulador debe ser por lo menos 11"(27,9 cm).

Un examen de detección de fugas del aparato debe ser realizado según las instrucciones en el paso 4.

La línea de fuente de gas debe ser de 1/2" o de 3/4".

## 3. Selle las aperturas

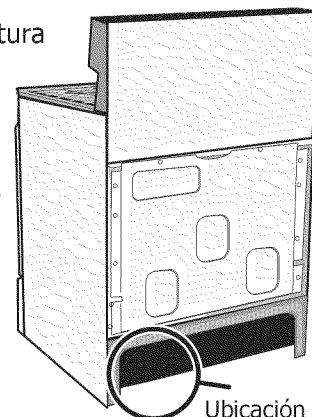
Sella todas las aperturas en la pared detrás de la estufa y en el suelo debajo de la estufa después que la línea del suministro de gas sea instalada.

## 4. Conecte la estufa al suministro de gas

**Importante:** Quite todo el material de embalaje y literatura de la estufa antes de conectar el gas y la fuente eléctrica.

Para evitar fugas, aplique sellador de tuberías en todas las partes roscadas machos (exterior) de la tubería.

El regulador se encuentra en el lugar que se muestra en la ilustración.



Ubicación del regulador de presión

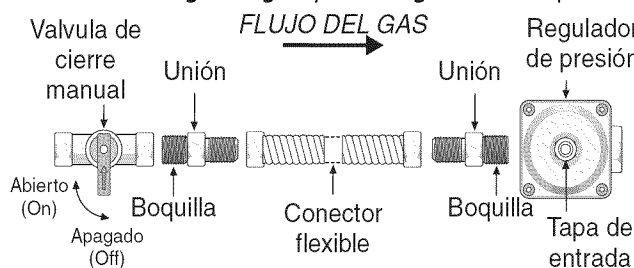
Figure 2

**PRECAUCION** No permita que el regulador gire sobre la tubería al apretar las uniones.

## Conecte el Regulador de Presión

El regulador de presión esta ya instalada para la estufa.

**ADVERTENCIA** No haga la conexión demasiado apretada. El regulador es de die cast. El apretar demasiado puede agrietar el regulador dando por resultado una fuga de gas y un fuego o una explosión.



Todas las conexiones deben ser apretadas con una llave inglesa- **Figura 3**

Reúna el conector flexible del tubo del suministro de gas al regulador de la presión en la orden siguiente:

1. Válvula de cierre manual (no incluido)
2. Boquilla de 1/2" (no incluido)
3. 1/2" Adaptador de unión (no incluido)
4. Conector flexible (no incluido)
5. 1/2" Adaptador de unión (no incluido)
6. Boquilla de 1/2" (no incluido)
7. regulador de presión (incluido)

# INSTRUCCIONES DE INSTALACIÓN PARA LA ESTUFA A GAS DE 36"

Use sellador para uniones de tuberías hecho para el uso de gas natural y LP/Propano para sellar todas las conexiones de gas. Si se utilizan los conectadores flexibles, asegúrese de que los conectadores no están enroscados.

La línea del suministro se debe de ser equipada de una válvula de cierre manual aprobada. Esta válvula se debe localizar en el mismo cuarto que la estufa y debe estar en una localización que permita la facilidad de la abertura y del cierre. No bloquee el acceso a la válvula. La válvula es para encender o apagar el gas del aparato.

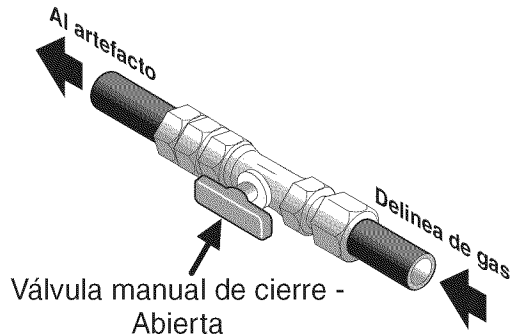


Figura 4

Una vez que regulador está en su lugar, abra la válvula en la línea del suministro de gas. Espere algunos minutos para que el gas pueda moverse a través de la línea de gas.

## Compruebe para saber si hay fugas de gas.

Después de conectar la estufa con la fuente de gas, compruebe el electrodoméstico para saber si hay fugas con un manómetro. Si un manómetro no está disponible, gire la fuente de gas y utilice un detector líquido de fugas (o jabón y agua) en todos los empalmes y conexiones has la comprobación para fugas.

**ADVERTENCIA** No utilice una llama para verificar fugas en las conexiones de gas. Verificar para fugas con una llama puede tener como resultado un fuego o la explosión.

**Apriete todas las conexiones** como necesario para prevenir fugas de gas en la superficie de la estufa o en la línea de suministro.

**Desconecte la estufa** del sistema de tubería del suministro de gas durante cualquier prueba de presión de ese sistema a presiones mayores de 1/2 psig (3,5 kPa o 14" columna de agua).

**Aísle la estufa del sistema de tubería del suministro de gas** cerrando su válvula de cierre manual durante cualquier prueba de presión del sistema de tubería del suministro de gas prueba de presión iguala a o a menos de 1/2 psig (3,5 kPa o 14" columna de agua).

## 5. Conversión para uso de Propano Líquido

Este aparato puede ser usado con gas natural o propano líquido. Ha sido ajustado en la fábrica para operar con gas natural solamente.

Si desea convertir su estufa para uso con propano líquido, use los orificios provistos ubicados en el bolso que contiene la literatura titulada "FOR LP/PROPANE GAS CONVERSION." Siga las instrucciones que vienen con los orificios.

La conversión debe ser efectuado por un técnico de servicio capacitado, de acuerdo con las instrucciones del fabricante y con todos los códigos y requisitos de las autoridades correspondiente. El no seguir las instrucciones podría dar como resultado lesiones graves o daños a la propiedad. El organismo autorizado para llevar a cabo este trabajo asume la responsabilidad de la conversión.

**ADVERTENCIA** La falta de una conversión apropiada puede resultar en lesiones graves y daños a la propiedad.

## 6. Requisitos eléctricos

120 voltio, 60 Hertzio, circuito dedicado apropiadamente puestos a tierra protegido por un circuito de amperio o fusible de demora de tiempo de 15 amp. **Nota:** no es recomendado instalarlo con un Interruptor (GFI) de puesta a tierra.

**No utilice una extensión con esta estufa.**

## Instrucciones de puesta a tierra

**IMPORTANTE** Por favor lea con cuidado.

**Para la seguridad personal, este aparato debe ser puesto a tierra apropiadamente.**

El cable del suministro eléctrico de esta estufa está equipado con un enchufe de tres patillas (para puesta a tierra) que coincida con un enchufe de pared estándar con puesta a tierra de tres patillas para minimizar la posibilidad que se produzcan descargas eléctricas.

El cliente deberá encargar a un técnico para asegurarse de que el enchufe se encuentra debidamente conectado a tierra y polarizado.

## Método preferido

Enchufe de pared con toma de tierra



No corte, retire o derribe, bajo ninguna circunstancia, la patilla de la toma de tierra del enchufe

Cable de suministro eléctrico con enchufe con toma de tierra

Figura 5

# INSTRUCCIONES DE INSTALACIÓN PARA LA ESTUFA A GAS DE 36"

En lugares en los que aya un enchufe de pared estándar de dos patillas, el cliente tendrá responsabilidad directa y la obligación de reemplazarlo por un enchufe de pared de tres patillas debidamente cableado a tierra.

**Bajo ninguna circunstancia, corte, retire o derribe la tercera patilla (de toma de tierra) del cable del suministro de energía eléctrica.**

**⚠ ADVERTENCIA** Desenchufa el cable del suministro de energía eléctrica del enchufe de pared antes de mantener la estufa.

## 7. La mudanza del aparato para reparaciones o limpieza

Apague la corriente eléctrica a la estufa a la fuente de poder principal, y apague la válvula de cierre manual de gas. Asegúrese de que la estufa esté fresca. Quite el cajón de servicio (el cajón calentador en algunos modelos) y abra la puerta del horno. Levante el frente de la estufa y deslícela fuera de la abertura sin crear tensión desmedida sobre el conducto flexible de gas. Asegúrese de no pellizque el conducto flexible de gas detrás de la estufa al reemplazar la unidad en la abertura. Reemplace el cajón, cierre la puerta y enciende el gas y la corriente eléctrica a la estufa.

## 8. Comprobación del funcionamiento

Consulte el Manual del Usuario incluido con la estufa para instrucciones de operación y instrucciones para el cuidado y limpieza de su estufa.

No toque los elementos o quemadores. Pueden estar bastante calientes para causar quemaduras.

Quite todo el embalaje de la unidad antes de comprobarla.

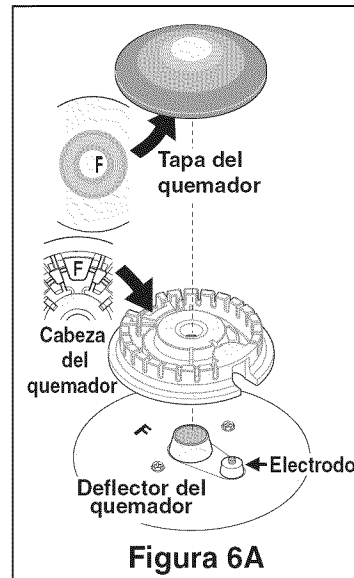
### 8.1 Instala las Bases y las tapas de los Quemadores

**Esta estufa esta equipada con quemadores sellados como mostrado (vea la Figura 6).**

Es muy importante asegurarse de que todas las cabezas de los quemadores superiores, las tapas de los quemadores superiores y las rejillas de los quemadores superiores estén instaladas correctamente y en sus lugares correctos.

1. Retire toda la cinta de empaque de la cubierta. Retire las tapas y cabezas de los quemadores (Figura 6A).
2. Descarte todo el material de empaque que se encuentra debajo de las cabezas de los quemadores.
3. Para volver a instalar las cabezas y tapas de los quemadores, haga concordar las letras ubicadas debajo de las tapas (en el centro) con las letras que se encuentran

- dentro de las cabezas de los quemadores (Figura 6A).
4. Haga concordar las letras estampadas en los deflectores de los quemadores con las de las cabezas y tapas de los quemadores. Vuelva a colocar las cabezas y tapas de los quemadores en la cubierta. Alinee cuidadosamente los electrodos en la ranura o agujero de cada cabeza de



- quemador (Figura 6B).
- Nota: Las cabezas de los quemadores deben quedar planas sobre los deflectores de los quemadores de la cubierta.
5. Desempaque las rejillas de los quemadores y colóquelas sobre la cubierta.

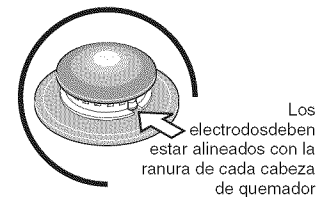


Figura 6B

### 8.2 Enciende la corriente eléctrica y abre la válvula principal de cierre.

### 8.3 Comprobación de los Encendedores

El funcionamiento de los encendedores eléctricos debe ser comprobado después de que la estufa y los conectores a la tubería de suministro de gas hayan sido comprobados para las fugas y la estufa haya sido conectada eléctricamente. Para comprobar que el encendido sea correcto:

- a. Empuje y gire un botón control del quemador superior hasta la posición LITE (encender). Se podría oír el encendedor haciendo chispas.
- b. El quemador se deberá encender en cuatro (4) segundos para un funcionamiento normal, después de que el aire haya sido purgado de la tubería de suministro de gas. Controle visualmente que el quemador se haya encendido.
- c. Después de que el quemador se haya encendido, la plancha de cocina debe ser girada fuera de la posición LITE. Cada quemador tiene su encendedor individual. Controle las perillas separadamente hasta que todas las válvulas hayan sido controladas.

# INSTRUCCIONES DE INSTALACIÓN PARA LA ESTUFA A GAS DE 36"

## 8.4 Ajuste de la Posición LOW (BAJA) Para la Válvula del Quemador Superior (Figura 7)

- Gire el botón de control a la posición LITE (encender) hasta que el quemador encienda.
- Rápidamente** gire el botón de control a la POSICIÓN MAS BAJA.
- Si el quemador se apaga, reajuste la válvula de la siguiente forma: Mueva el control a la posición OFF (apagada). Saque la perilla de control del quemador superior, inserte un destornillador plano pequeño en el hueco del vástago del a válvula hasta enganchar el tornillo interior. El tamaño de la llama puede ser aumentado o disminuido girando el tornillo. Ajuste el tamaño de la llama hasta que pueda pasar rápidamente de la posición LITE hasta la posición MAS BAJA sin que se apague la llama. La llama debe ser lo más pequeña posible sin que se apague.

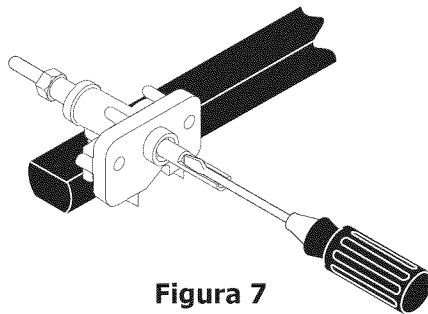


Figura 7

## 8.5 Operación de Quemadores del Horno y Ajustes de Horno

### 8.5.1 Quemador de ignición eléctrica

La operación de los encendidos eléctricos debe de ser revisada después de que la cocina y los conectores de la línea de suministro haya sido cuidadosamente revisada para descartar fugas y que la cocina haya sido conectada a la corriente eléctrica.

El quemador del horno está equipado con un sistema de control eléctrico así como un encendedor de quemador de horno eléctrico. Si su modelo esta equipado con un quemador de asado central superior, también contará con un encendedor de quemador eléctrico. Estos sistemas de control no requieren ajustes. Cuando el horno esta configurado para operar, la corriente fluirá hacia el encendedor y tendrá un resplandor de manera similar a una bombilla de luz. Cuando el encendedor alcanza una temperatura suficiente para encender el gas, la válvula del horno controlada eléctricamente se abrirá y el fuego aparecerá en el quemador del horno. hay un lapso de tiempo de 30 a 60 segundos después de que el termostato se enciende y antes de que la llama aparezca en el quemador del horno. Cuando el horno alcanza la configuración del dial, el encendedor resplandeciente se apagará. La llama del quemador

desaparecerá por 20 a 30 segundos después de que el encendedor se apaga. Para mantener cualquier temperatura de horno dada, este ciclo continuará tanto como el dial (o visualizador) esté configurado para operar.

Después de retirar todos los materiales del empaque y la literatura del horno:

- Fije el horno en HORNEAR (BAKE) a 300°F. Vea la guía de Uso y Cuidado para conocer las instrucciones de funcionamiento.
- En 60 segundos el quemador del horno se encenderá. Revise que exista un fuego adecuado (vea 8.5.2), y permita que el quemador cumpla su ciclo una vez. Gire los controladores hacia off (APAGADO).
- Si su modelo esta equipado con un asador central superior, fije el horno en ASAR. Vea la Guía de Uso y Cuidado para conocer las instrucciones de funcionamiento.
- En 60 segundos el quemador de asar debe de encenderse. Revise si exista una llama adecuada (vea 8.5.3). Gire los controles hacia off (APAGADO).

### 8.5.2 Obturador del Aire - Quemador del horno

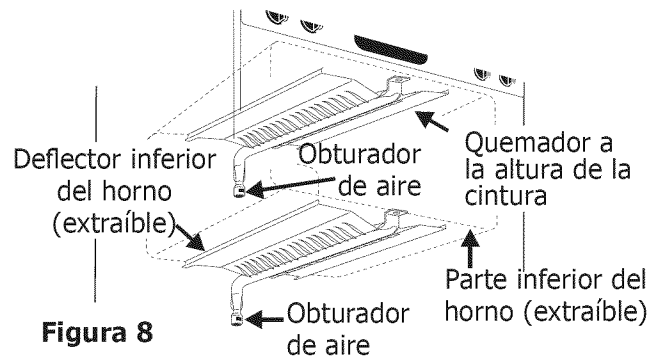
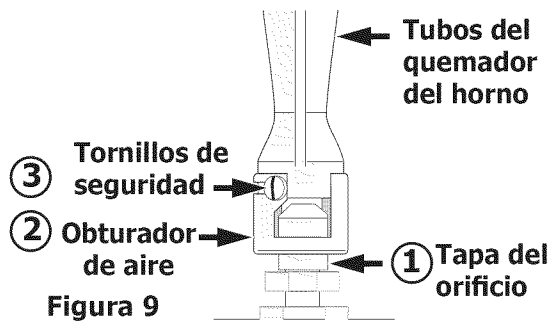


Figura 8

La longitud aproximada de la llama del quemador del horno es 1 pulgada (interior claro, llama azul). Para determinar si la llama del quemador de horno es la adecuada, retire el fondo del horno y el deflector del quemador i fije el horno en la opción hornear a 300°F.

Para retirar el fondo del horno, retire los tornillos de ajuste del horno en la parte posterior del fondo del horno. jale hacia arriba, desenganche el frente del fondo del marco anterior del horno, y jale la base hacia a fuera de éste. retire el deflector del quemador de manera que la llama del quemador pueda ser observada.

Si la llama es de color amarillo, aumente el tamaño de la abertura del obturador de aire (Vea el tamaño "2" en el figura 9). Si la llama es de azul claro, reduzca el tamaño de la abertura del obturador de aire. Para ajustar un tornillo de cierre flojo (Vea el tamaño "3" en el figura 9), vuelva a colocar el obturador de aire, y ajuste el tornillo de cierre. Reemplace el fondo del horno.



### 8.5.3 Obturador de aire - Quemador de asado

La longitud aproximada de la llama del quemador de asado es 1 pulgada (interior claro, llama azul). Para determinar si la llama del quemador de asado es la adecuada, poner el horno en la opción asar.

Si la llama es de color amarillo, aumente el tamaño de la abertura del obturador de aire (Vea el tamaño "2" en el figura 9). Si la llama es de azul claro, reduzca el tamaño de la abertura del obturador de aire, y ajuste el tornillo de cierre (Vea el tamaño "3" en el figura 9).

## 9. Asegúrese que la estufa esta a nivel

Nivele la estufa, instalado un nivel horizontalmente sobre una rejilla del horno. Verifique en diagonal de adelante hacia atrás, y nivele la estufa ajustando las patas de nivelación o poniendo cuñas por debajo de los ricónes de la estufa como sea necesario.

### Después de Terminar la Instalación

Asegúrese de que todos los controles estén en la posición OFF (apagada).

Asegúrese de que el flujir del aire de combustión y de ventilación a la estufa no esté obstruido.

### Ubicación del Número de Modelo y de Serie

La placa con el número de serie está ubicada en el marco delantero del horno detrás de la puerta del horno (algunos modelos) o detrás del cajón (algunos modelos).

Cuando haga pedidos de repuestos o solicite información con respecto a su estufa, esté siempre seguro de incluir el número de modelo y de serie y el número o letra del lote de la placa de serie de su estufa.

La placa con el número de serie también le da la potencia nominal de los quemadores, el tipo de combustible y la presión a la cual fue ajustada la estufa en la fábrica.

### Antes de llamar al servicio

Lea la sección Lista de Control de Averías en su Manual del Usuario. Esto le podrá ahorrar tiempo y gastos. Esta lista incluye ocurrencias comunes que no son el resultado de defectos de materiales o fabricación de este artefacto.

Lea la garantía y la información sobre el servicio en su Manual del Usuario para obtener el número de teléfono y la dirección del servicio. Por favor llame o escriba si tiene preguntas acerca de su estufa o necesita repuestos.

# INSTRUCCIONES DE INSTALACIÓN PARA LA ESTUFA A GAS DE 36"

## 10. Instrucciones para de instalación del soporte antivuelco

### Advertencia de seguridad importante

Esta estufa debe ser asegurada al piso usando las platinas de anclaje y los tornillos suministrados. El no instalar apropiadamente los soportes antivuelco puede llegar a permitir que la estufa se incline hacia adelante, accidentalmente, si se coloca un peso excesivo sobre la puerta abierta o si un niño se sube en ella. La estufa caliente a los líquidos calientes derramados podrían causar serias lesiones personales. Refiérase a las instrucciones que se dan a continuación para la correcta instalación de los soportes antivuelco (Figura 10).

**NOTA:** Si mueva la estufa a otro sitio, deba también mover los soportes antivuelco para instalarlas con la estufa.

**Las piezas se encuentran en un saco de plástico en el horno.**

### Herramientas requeridas:

Llave de tuerca de 5/16" o destornillador de cabeza plana

Llave ajustable

Broca para mampostería de 3/16" de diámetro (para taladrar concreto)

Asegure las platinas al piso en la parte posterior de la estufa de forma que soporten las dos patas niveladoras traseras. Al colocarlas asegúrese de no perforar alambres eléctricos o tubería. Los tornillos suministrados pueden usarse en concreto o madera.

La estufa puede anclarse al piso en una residencia con las platinas de anclaje, tal como se ilustra en la figura 10. Estas platinas permiten que la estufa se hale hacia adelante para su limpieza o reparación, sin necesidad de usar herramientas.

1. Asegure las platinas de anclaje al piso o a la pared posterior con los tornillos suministrados.

**Importante:** las platinas deben anclarse sobre madera o piso sólido. No deben anclarse sobre estuco, chapa de roca o algún otro material de baja resistencia. Si el anclaje va a hacerse sobre la pared posterior, deben removerse todas la molduras que queden detrás de la estufa.

2. Si las platinas van a anclarse en pisos de mampostería o cerámica, coloque las platinas en el piso y marque la ubicación de los orificios. Taladre orificios de 3/16".

3. Gire las patas niveladoras 3 vueltas hacia abajo de forma que las platinas deslicen sobre las cabezas niveladoras.

4. Nivela la parte delantera y trasera de la estufa y las partes laterales con los dos niveladores de pata delanteros y los niveladores traseros.

5. Deslice la estufa hasta que quede en su lugar asegurándose de que las patas traseras están atrapadas bajo las platinas de anclaje. Puede ser necesario balancear la estufa hacia los lados a medida que se desliza hacia atrás para lograr que las patas traseras se alineen con las platinas de anclaje. Para asegurarse de que la estufa está correctamente anclada remueva el cajón de almacenamiento o el panel inferior, también puede verificarse la instalación tratando, cuidadosamente, de inclinar la estufa hacia adelante, 3/8"

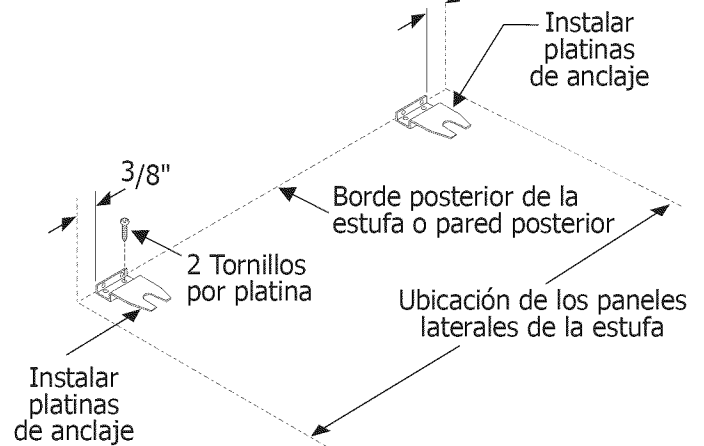


Figura 10

En casas móviles la estufa debe anclarse al piso como se muestra en la figura 11.

1. Remueva el panel falso o el cajón de almacenamiento para poder alcanzar los orificios de anclaje.

2. En el centro de cada riel de la base de la estufa se suministra un orificio de 1/4" para el anclaje al piso.

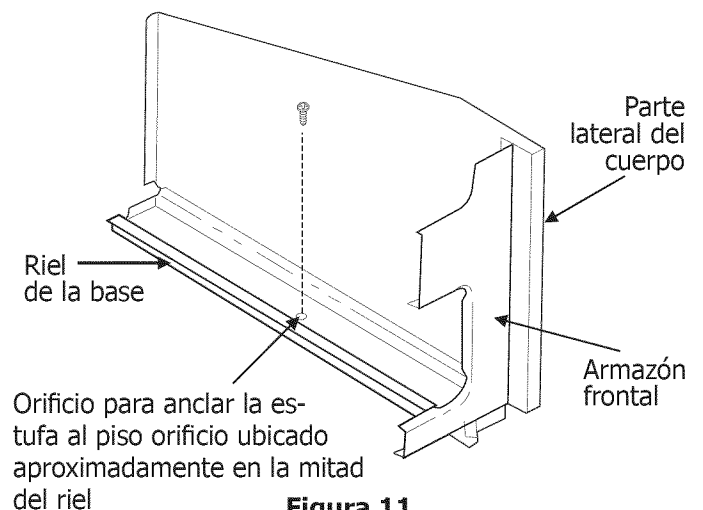
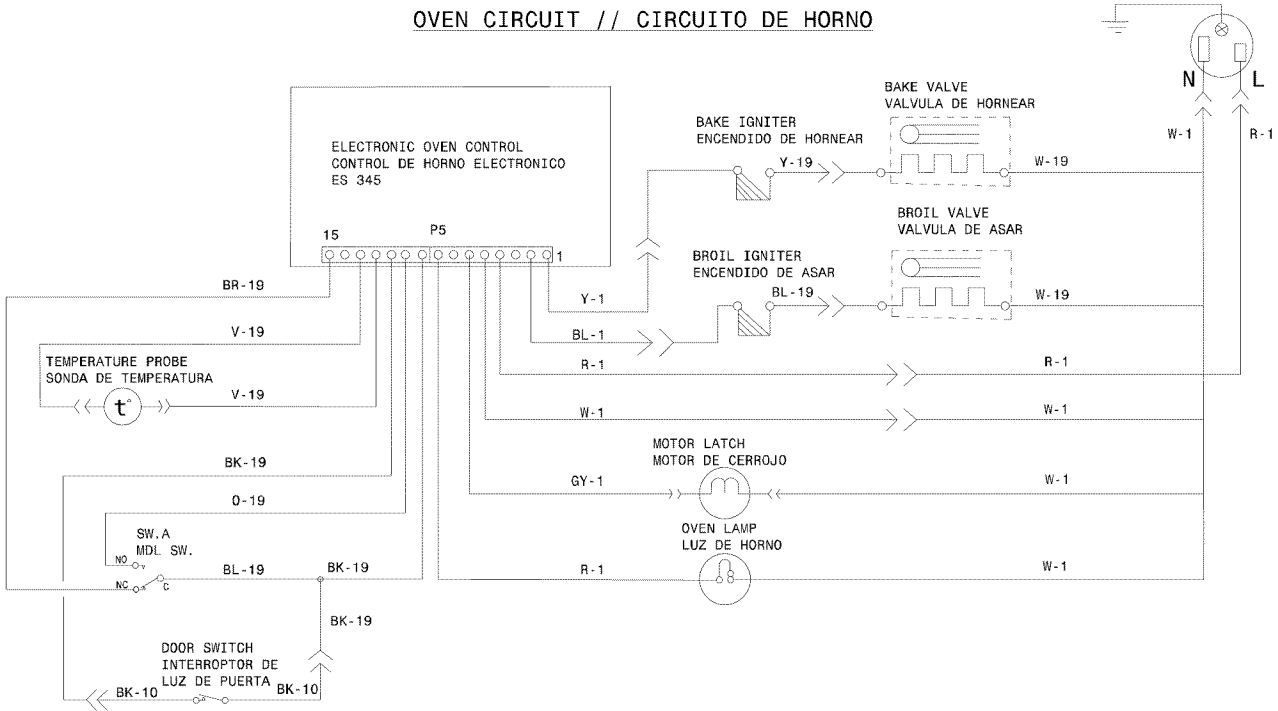


Figura 11

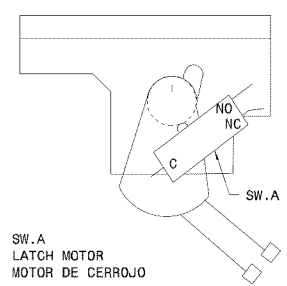
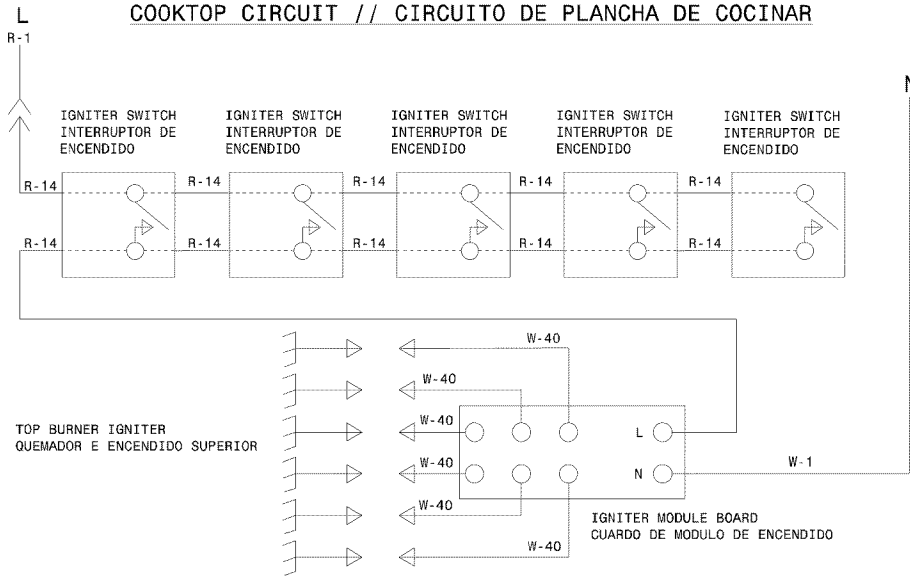
**ADVERTENCIA** Pararse, apoyarse o sentarse en la puerta o cajón de esta estufa causar serias lesiones personales y también puede dañar la estufa.

# WIRING DIAGRAM - DIAGRAMA DE LA INSTALACIÓN ALÁMBRICA

## OVEN CIRCUIT // CIRCUITO DE HORNO



## COOKTOP CIRCUIT // CIRCUITO DE PLANCHA DE COCINAR



### COLOR CODE / CODIGOS DE COLOR

- G. - GREEN / VERDE
- W. - WHITE / BLANCO
- R. - RED / ROJO
- O. - ORANGE / NARANJA
- Y. - YELLOW / AMARILLO
- BR. - BROWN / MORENO
- BL. - BLUE / AZUL
- BK. - BLACK / NEGRO

WIRE ALAMBRE MEDIDA	GAUGE	TEMP. °C	CSA	UL
1	18	125	CL1251	3173
2	16	125	CL1251	3173
3	14	125	CL1251	3173
4	12	125	CL1251	3173
5	18	150	EXL-150	3321
6	16	150	EXL-150	3321
7	14	150	EXL-150	3321
8	12	150	EXL-150	3321
9	10	150	EXL-150	3321
10	18	200	SEW-1	3122
11	16	200	SEW-1	3122
12	12	250		3252
13	16	250		3252
14	20	150	EXL-150	3321
15	8	150	EXL-150	3321
16	6	60		
17	10	60		
18	10	200	SEW-1	3122
19	20	125	SEW-1	3173
20	20	200	SEW-1	3122
21	22	125	CL1251	3266
22	20	125	CL1251	3266
40	18	200		10202

**NOTE:**  
SERVICE: IF REPLACEMENT OF TERMINALS BECOMES NECESSARY, COMPARABLE WIRE TYPE AND GAGE AND COMPARABLE TERMINALS MUST BE USED.  
**NOTA:**  
EN CASO QUE SEA NECESARIO DE REEMPLAZAR LOS BORNES, ES NECESARIO DE UTILIZAR EL MISMO TIPO DE ALAMBRE Y DE MEDIDOR Y EL MISMO TIPO DE BORNES.

**CAUTION:** DISCONNECT POWER BEFORE SERVICING UNIT.  
LABEL ALL WIRES PRIOR TO DISCONNECTION WHEN SERVICING CONTROLS.  
WIRINGS ERRORS CAN CAUSE IMPROPER AND DANGEROUS OPERATION.  
VERIFY PROPER OPERATION AFTER SERVICING.  
**ATENCION:** CORTAR LA CORRIENTE ANTES DE REALIZAR EL MANTENIMIENTO DEL ELECTRODOMESTICO.  
ETIQUETE TODOS LOS CABLES ANTES DE DESCONECTAR CUANDO HAGA EL SERVICIO A LOS CONTROLES.  
ERRORES AL VOLVER A ENSAMBLAR LOS CABLES PUEDE CAUSAR FALLAS U OPERACIONES PELIGROSAS.  
VERIFIQUE LA CORRECTA OPERACION DESPUES DEL SERVICIO.

318045814 REV:A