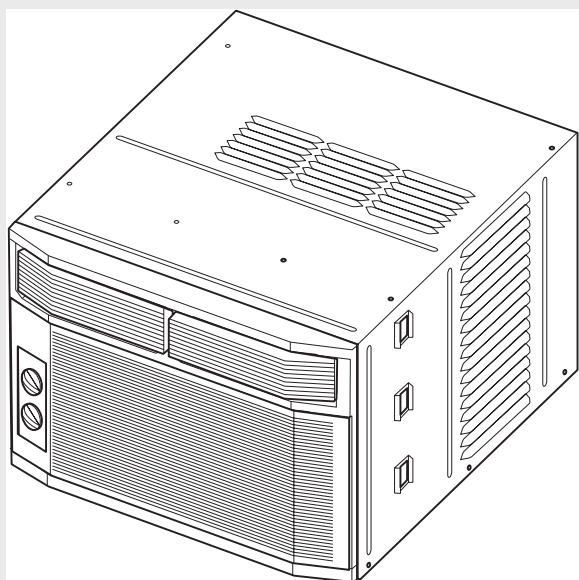


Frigidaire

Factory Parts Catalog



Product No.	FAC107P1A1	FAC107P1A2	FAC107P1A3	FAC107P1A4	FAC107P1A5	FAC107P1A6
Series	ROOM AIR	ROOM AIR	ROOM AIR	ROOM AIR	ROOM AIR	ROOM AIR
Color	white	white	white	white	white	white
Volts	115	115	115	115	115	115
BTU-Cooling	10,000BTU	10,000BTU	10,000BTU	10,000BTU	10,000BTU	10,000BTU
Owner's Guide	220202d019	220202d019	220202d019	220202d019	220202d019	220202d019
Installation Instructions	COMINSTALLEN	COMINSTALLEN	COMINSTALLEN	COMINSTALLEN	COMINSTALLEN	COMINSTALLEN
Market	North America	North America	North America	North America	North America	North America

 **Electrolux**

Electrolux Major Appliances
North & Latin America
P.O. BOX 212378
AUGUSTA, GA 30917

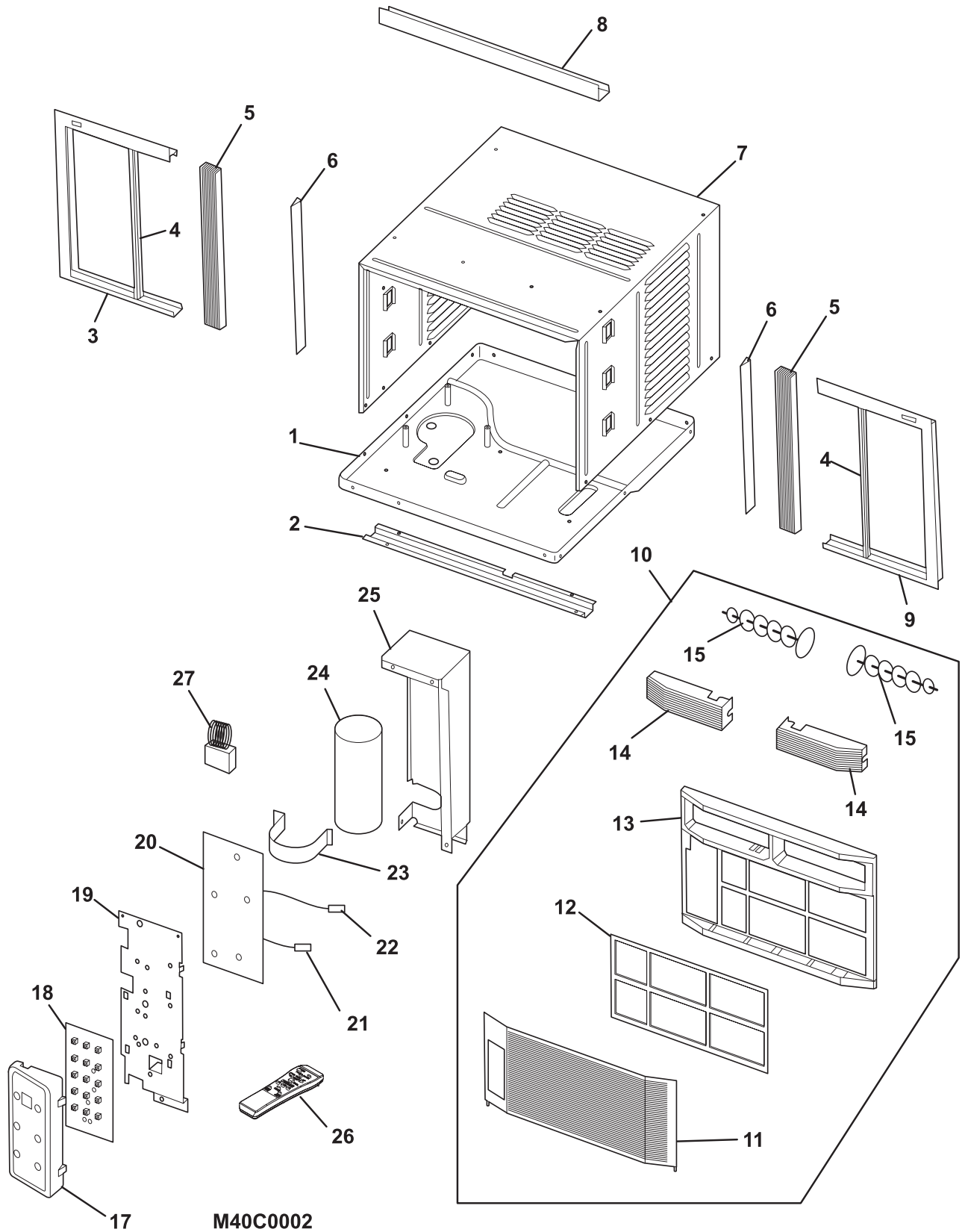
Publication No.
5995436994
05/05/17
(EN/SERVICE/WC)
099

**ROOM AIR
CONDITIONER**

**Model No.
FAC107P1**

Copyright © 2005 Electrolux Home Products, Inc.
All rights reserved.

CABINET, FRONT, CONTROLS



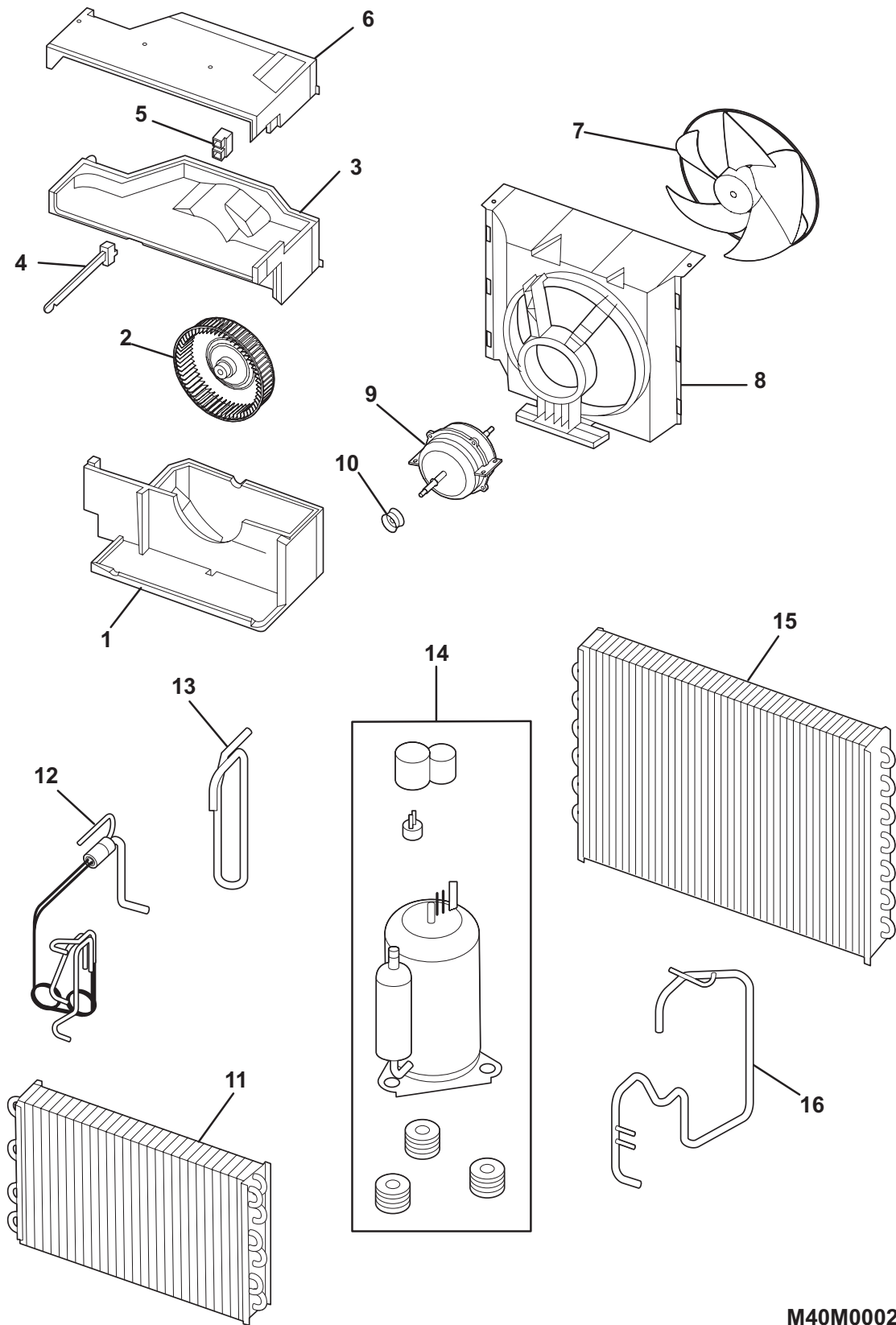
M40C0002

CABINET, FRONT, CONTROLS

Model Index: A FAC107P1A (FAC107P1A1)
 B FAC107P1A (FAC107P1A2)
 C FAC107P1A (FAC107P1A3)
 D FAC107P1A (FAC107P1A4)
 E FAC107P1A (FAC107P1A5)
 F FAC107P1A (FAC107P1A6)

POS. NO	PART NO.		DESCRIPTION
1	5304446456	A B C - - -	Base, unit chassis
1	5304436521	- - - D E F	Base, unit chassis
2	5304436523	A B C D E F	Rail, shutter track, bottom
3	5304436544	A B C D E F	Frame, shutter panel, LH
4	5304436545	A B C D E F	Retainer, shutter lock
5	5304436546	A B C D E F	Shutter, accordion panel
6	5304436547	A B C D E F	Retainer, shutter mount, cabinet sides
7	5304446442	A B C D E F	Cabinet, wrapper/sleeve
8	5304436549	A B C D E F	Rail, shutter track, top
9	5304436550	A B C D E F	Frame, shutter panel, RH
10	5304448302	A B C D E F	Front Assembly, complete panel
11	5304448297	A B C D E F	Panel, front grille, tilt-out
12	5304448298	A B C D E F	Filter, air, plastic frame
13	5304448299	A B C D E F	Frame, front assembly
14	5304448300	A B C D E F	Louver, horizontal
15	5304448301	A B C D E F	Louver, vertical
17	5304447868	A B C D E F	Console, control cover
17*	5304447869	A B C D E F	Panel, control display, overlay
18 #	5304436534	A B C D E F	PC Board, display/input
19	5304446441	A B C D E F	Panel, ctrl mtg board
20 #	5304436531	A B C D E F	PC Board, control/power
21 #	5304436543	A B C D E F	Sensor, ambient temp
22 #	5304436542	A B C D E F	Sensor, evap temp, defrost
23	5304436530	A B C D E F	Strap, capacitor mtg.
24	5304446457	A B C - - -	Capacitor
24 #	5304436525	- - - D E F	Capacitor
25	5304436524	A B C D E F	Control Box
26	5304447875	A B C D E F	Remote Control
*	5304458023	A B C D E F	Hardware Kit, installation

COOLING & AIR FLOW SYSTEMS



M40M002

COOLING & AIR FLOW SYSTEMS

Model Index: A FAC107P1A (FAC107P1A1)
 B FAC107P1A (FAC107P1A2)
 C FAC107P1A (FAC107P1A3)
 D FAC107P1A (FAC107P1A4)
 E FAC107P1A (FAC107P1A5)
 F FAC107P1A (FAC107P1A6)

POS. NO	PART NO.						DESCRIPTION	
1	5304436556	A	B	C	D	E	F	Scroll, blower housing, bottom, w/drain tray
2 #	5304436557	A	B	C	D	E	F	Blower Wheel, centrifugal fan
3	5304436559	A	B	C	D	E	F	Scroll, blower housing, top
4	5304436558	A	B	C	D	E	F	Door, fresh air vent, with lever
5	5304436564	A	B	C	D	E	F	Guide, vent door/lever
6	5304436565	A	B	C	D	E	F	Cover, blower scroll, top
7 #	5304436563	A	B	C	D	E	F	Fan Blade, propeller, axial flow
8 #	5304436562	A	B	C	D	E	F	Shroud, fan housing
9 #	5304441405	A	-	-	D	-	-	Motor, fan
9 #	5304441406	-	B	-	-	E	-	Motor, fan
9	5304446455	-	-	C	-	-	F	Motor, fan
10	5304436560	A	B	C	D	E	F	Seal, fan motor, rubber ring, water proof
11 #	5304436566	A	B	C	D	E	F	Evaporator
12	5304446461	A	B	C	-	-	-	Capillary Tube
12 #	5304436582	-	-	-	D	E	F	Capillary Tube, assy w/strainer
13	5304448238	A	B	C	-	-	-	Tube-discharge
13 #	5304436574	-	-	-	D	E	F	Discharge Tube
14	5304446459	A	B	C	-	-	-	Compressor Assy
14 #	5304437082	-	-	-	D	E	F	Compressor Assy
15 #	5304436572	A	B	C	-	-	-	Condenser
15 #	5304436571	-	-	-	D	E	F	Condenser
16	5304448237	A	B	C	-	-	-	Suction Tube
16 #	5304436569	-	-	-	D	E	F	Suction Tube
*	5304446449	A	B	C	D	E	F	Power Cord, electric, 115 V

WIRING DIAGRAM

2202019160

