

FAULTLESS®

◀ SECURITY • TECHNOLOGY ▶

USER'S GUIDE



P1.

WARNING

1. To prevent damage to the finish, DO NOT use any abrasives, sharp objects or harsh chemical products containing alcohol, petroleum solvents, acids or acetone to clean this lockset.
2. To prevent damage to the sensitive electronic components, DO NOT allow any liquids to enter lockset while installing or cleaning.

CAUTION!

1. Do not attempt to disassemble any internal components of this lockset as this WILL void the limited warranty.
2. Do not drop or hit /strike the lockset as excessive shock may result in permanent damage.
3. Do not use sharp objects to press key buttons.
4. It is STRONGLY recommended that you always create a written backup of the programming code and individual user codes. Please use the last page of this booklet as your reference.
5. For your security, please remember to change this lockset's factory default programming code to a PERSONAL programming code prior to normal day-to-day use of this product.
6. It is STRONGLY recommended that you use only ALKALINE BATTERIES to operate this product.

P2.
CONTENTS

MAIN OPERATING INSTRUCTIONS.....03
PROGRAMMING CODE AND USER CODE.....05
COMPONENTS.....06
INSTALLATION INSTRUCTIONS.....08

SETUP MODE

01. HOW TO CHANGE PROGRAMMING CODE.....25
02. HOW TO ADD AN USER CODE.....26
03. HOW TO ADD A PROXIMITY CARD (RFID).....27
04. HOW TO ADD A REMOTE CONTROL (RADIO FREQUENCY, RF).....28
05. HOW TO ADD A SINGLE-USE USER CODE/ REMOTE CONTROL.....29
06. HOW TO DELETE AN INDIVIDUAL EXISTING USER CODE.....30
07. HOW TO DELETE AN INDIVIDUAL EXISTING REMOTE CONTROL.....31
08. HOW TO DELETE AN INDIVIDUAL EXISTING PROXIMITY CARD.....32
09. HOW TO DELETE ALL EXISTING USER CODES AT ONCE.....33
10. HOW TO DELETE ALL EXISTING PROXIMITY CARDS/ REMOTE CONTROLS AT ONCE.....34
11. HOW TO DISABLE ALL EXISTING USER CODES (VACATION MODE).....35
12. HOW TO DISABLE BUTTON SOUND (MUTE MODE).....36
13. HOW TO SETUP AUTO-LOCK TIME DELAY.....37
14. HOW TO ENABLE AUTO-LOCK MODE.....38
15. HOW TO ENABLE DOUBLE AUTHORIZATION MODE.....39
16. HOW TO RESTORE FACTORY SETTING.....40
17. HOW TO REPLACE BATTERIES OF REMOTE CONTROL.....41

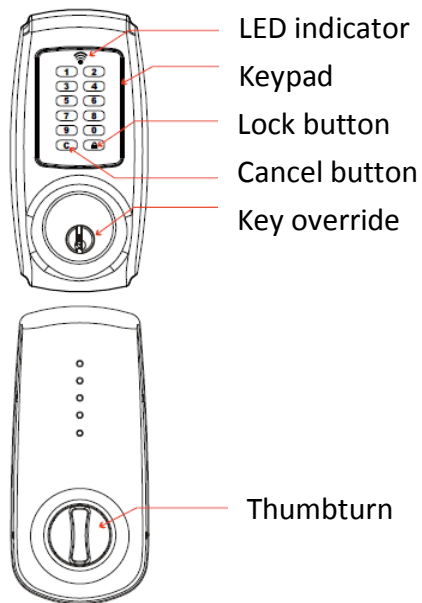
OPERATION MODE

01. HOW TO LOCK (i.e. TO ENABLE AUTO-LOCK).....42
02. HOW TO UNLOCK.....43
03. SAFE MODE.....44

TROUBLESHOOTING GUIDELINE.....45
DECLARATIONS AND SAFETY STATEMENTS.....49
DATA RECORDS.....50

P3.

MAIN OPERATING INSTRUCTIONS



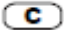
This manual is intended for Electronic Deadbolt Lock/ Proximity Card Electronic Deadbolt/ Remote Control Electronic Deadbolt. Please be advised that this manual is set up for this specific unit and is not to be used with any other product.

LED Indicator

1. Green light: Code entered is valid.
2. Red light: Code entered is invalid/ Under setup mode.
3. Yellow light: Low battery warning.

* All batteries should be replaced if yellow light flashes.

Keypad

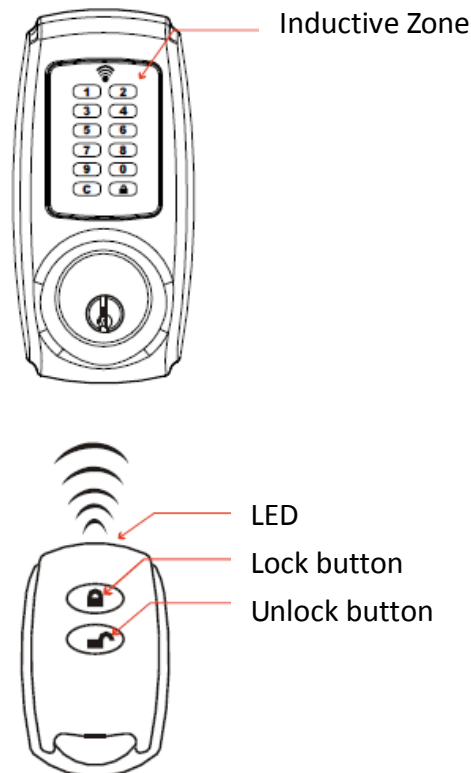
1. To unlock the lockset by entering a valid code.
2. To program the lockset.
3. When mis-typing codes during any process, press Cancel button  to cancel the wrong codes and re-enter the correct codes if the yellow light is on or keeps flashing.
4. To lock the lockset by pressing Lock button.

Key Override: To unlock the lockset by a valid key.

Thumbturn: To lock or unlock the lockset manually.

P4.

MAIN OPERATING INSTRUCTIONS



Inductive Zone (only available for Proximity Card Electronic Deadbolt)

1. Inductive zone is around the keypad.
2. The proximity card we offer is the latest Radio Frequency Identification (RFID) technology, compatible with standard Mifare -13.56 MHz.
3. Please contact the proximity card with the inductive zone.

Remote Control (Radio Frequency, RF) (only available for Remote Control Electronic Deadbolt)

1. There is one unlock button and one lock button on the remote control.
2. We recommend the operating distance between the remote control and the lockset is within 50ft (15m.) This is maximum distance under the circumstance that no objects block the emission of the remote control toward the lockset.
3. The LED of the remote control will light on when holding the lock button on the remote for 3 seconds.

P5.

PROGRAMMING CODE AND USER CODE

PROGRAMMING CODE

1. Only one programming code will be allowed, and the lockset can be programmed by entering the programming code.
2. A programming code is restricted to 6-digits in length only. The pre-set programming code is 1-2-3-4-5-6 (factory setting), please change it before operating the lockset.
3. The lockset can be unlocked by entering programming code.

USER CODE

1. A user code can be from four (4) to six (6) digits in length.
2. A user code can be changed (added or deleted) by accessing the setup mode.
3. The lockset cannot be programmed by entering the user code.
4. The lockset will unlock by entering the user code.

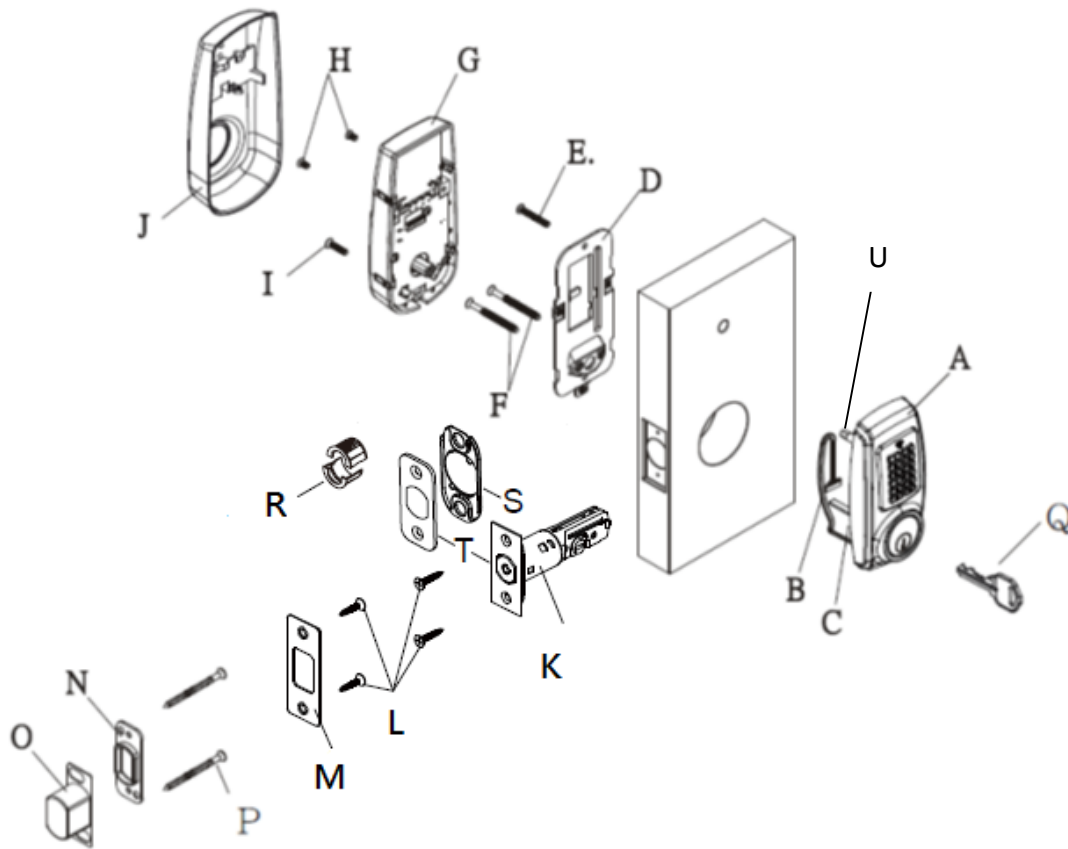
Note:

User code capacity: 10 sets maximum.

Proximity card capacity: 10 sets maximum.

Remote control capacity: 10 sets maximum.

P6.
COMPONENTS



- A. Exterior Assembly**
- B. Cable**
- C. Tailpiece**
- D. Mounting Plate**

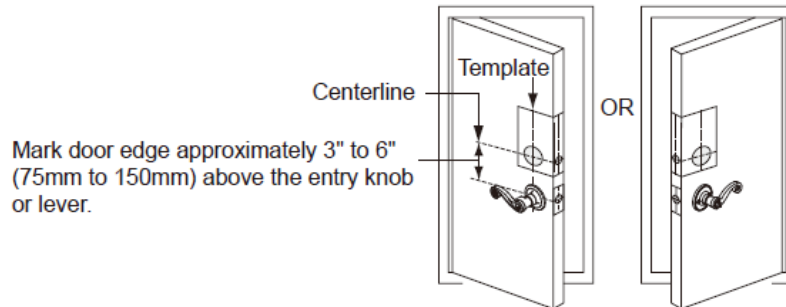
P7.

- E. 1-1/4" (32mm) Screw (1)**
- F. 2-1/8" (54mm) Mounting Bolt (2)**
- G. Interior Assembly**
- H. 5/16" (7.8mm) Screw (2)**
- I. 13/16" (20mm) Screw (1)**
- J. Decorative Cover**
- K. Adjustable Latch (Square or radius faceplate or drive-in)**
- L. 6/8" (19mm) Wood Screw (4)**
- M. Strike Plate**
- N. Reinforced Strike Plate**
- O. Dust Box**
- P. 3" (76mm) Wood Screw (2)**
- Q. Key (2)**
- R. Drive in Collar (Optional)**
- S. Bottom Plate (Optional)**
- T. Square or Radius Faceplate (Optional)**
- U. Screw post**

P8.

INSTALLATION INSTRUCTIONS: DOOR PREPARATION

- 1** MARK DOOR WITH TEMPLATE (ATTACHED SEPARATELY)
 - a. Use TEMPLATE to mark centerline on door for deadbolt about 3" to 6" (75mm to 150mm) above the existing knob or lever.
 - b. Stand so door swings towards you. Align template on centerline and fold template as shown.



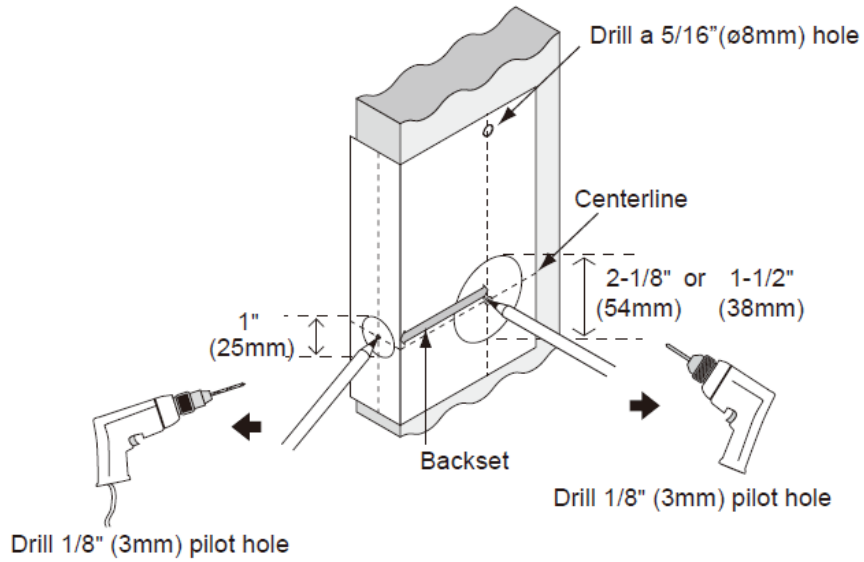
Note: If replacing an existing lock or installing in a pre-drilled door, begin with page 9.
For new installation, which requires the door to be drilled, begin with page 4.

P9.

INSTALLATION INSTRUCTION

2 MARK AND DRILL PILOT HOLES

Select backset. Mark and drill pilot holes as shown.

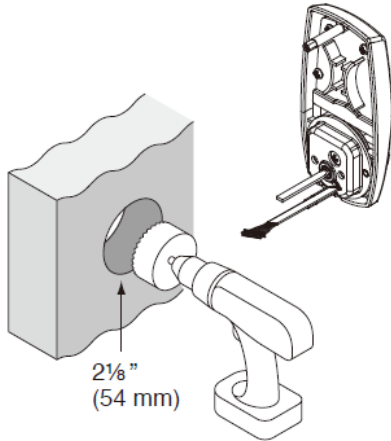


P10.

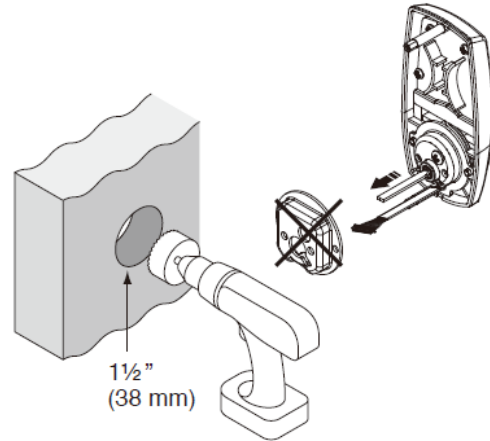
INSTALLATION INSTRUCTIONS

3-1 DRILL HOLES

- a. Drill a 2-1/8" (54mm) or 1-1/2" (38mm) hole on the door face from both sides to avoid wood splitting.



or

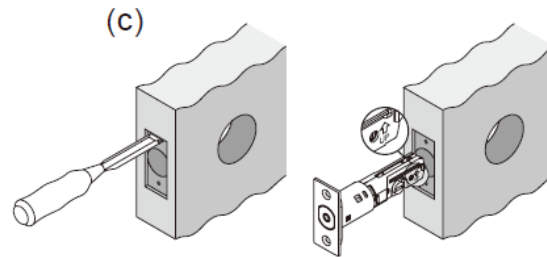
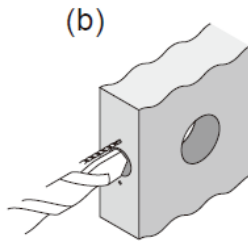


P11.

INSTALLATION INSTRUCTION

3-2 DRILL HOLES

- b. Drill a 1" (25mm) hole in the door edge for the latch.
- c. Use faceplate as a pattern for mortise and pilot holes. Chisel 1/8" (3mm) deep. Faceplate should fit flush.
- d. Install as shown for appropriate latch type. Ensure bevel faces door jamb.



Note: For drive in latch, skip d. Simply insert latch.

P12.

INSTALLATION INSTRUCTIONS

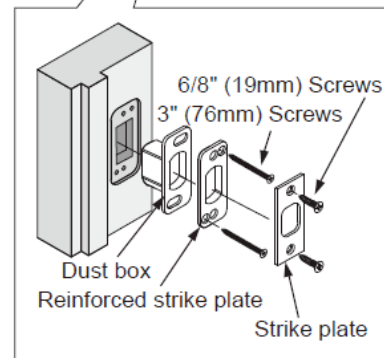
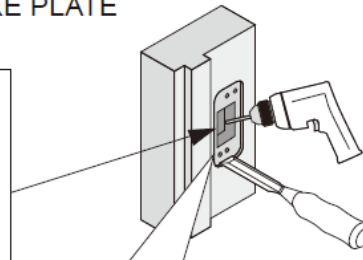
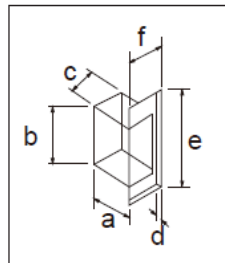
4 PREPARE DOOR JAMB AND INSTALL STRIKE PLATE

Door jamb hole dimension

- a. 1-3/16" (30mm)
- b. 1-9/16" (40mm)
- c. 1" (25mm)

Strike dimension

- d. 5/32" (4mm)
- e. 2-3/4" (70mm)
- f. 1-1/8" (28mm)



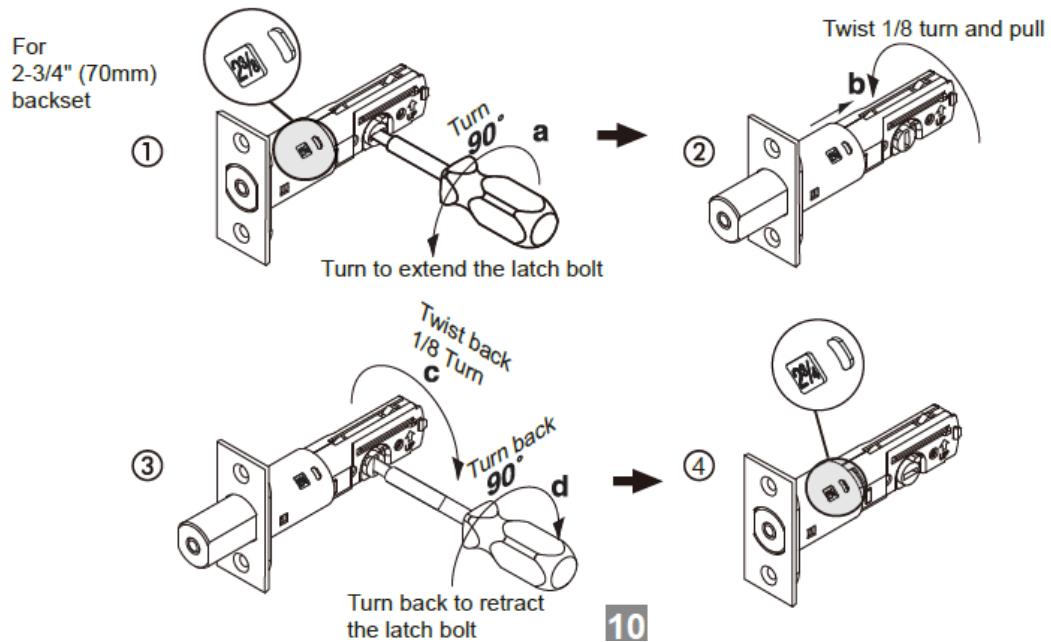
Note: The dust box and reinforced strike plate are optional. Recommend to install for maximum security.

P13.

INSTALLATION INSTRUCTIONS: LATCH BASKET ADJUSTMENT

1A LATCH BACKSET ADJUSTMENT

Latch backset adjustment only needs to be made if your door needs a 2-3/4" (70mm) backset. Please follow diagrams below as reference. (Skip this if your door has a 2-3/8" (60mm) backset)



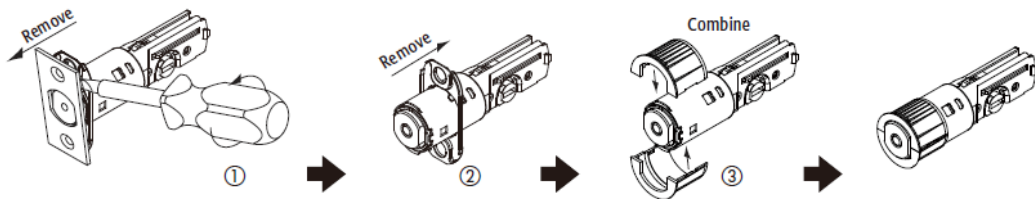
P14.

INSTALLATION INSTRUCTION

1B DRIVE-IN COLLAR or FACEPLATE ADJUSTMENT

In addition to 2-3/8" (60mm) or 2-3/4" (70mm) adjustable backset, you may change the faceplate to drive-in collar.

(If your door is not a drive in latch type, please skip this step)

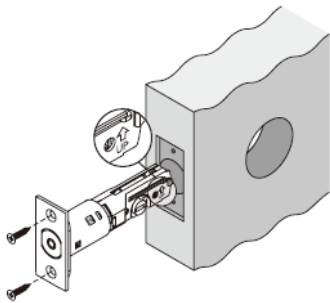


Note: Reverse the above steps if you need to change the drive-in collar to the faceplate.

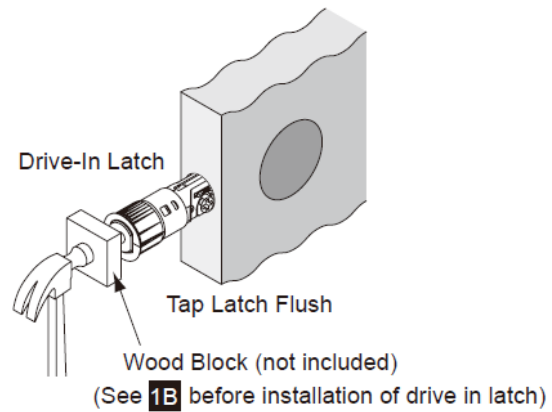
P15.

INSTALLATION INSTRUCTION

- 2** INSTALL LATCH IN MORTISED AREA OR INSTALL DRIVE IN LATCH
If the backset of your door is 2-3/8" (60mm), please install it now.
If your door is set up to use a standard type latch, please install it with the 3/4" (20mm) screws that are provided.
If you use the drive-in type latch, please tap it in place.



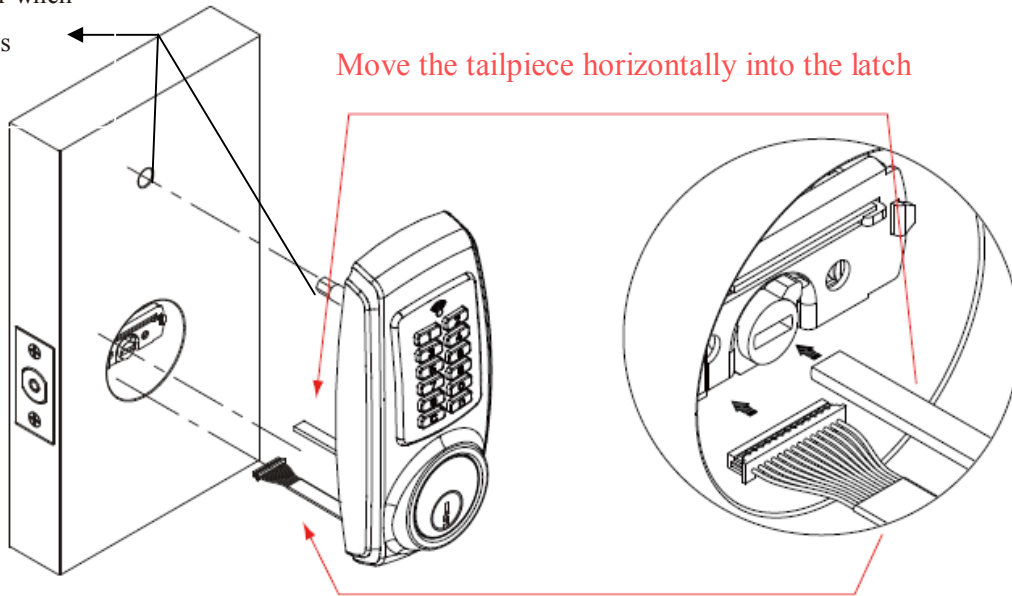
or



P16.

INSTALLATION INSTRUCTIONS: COMBINE THE EXTERIOR ASSEMBLY WITH LATCH

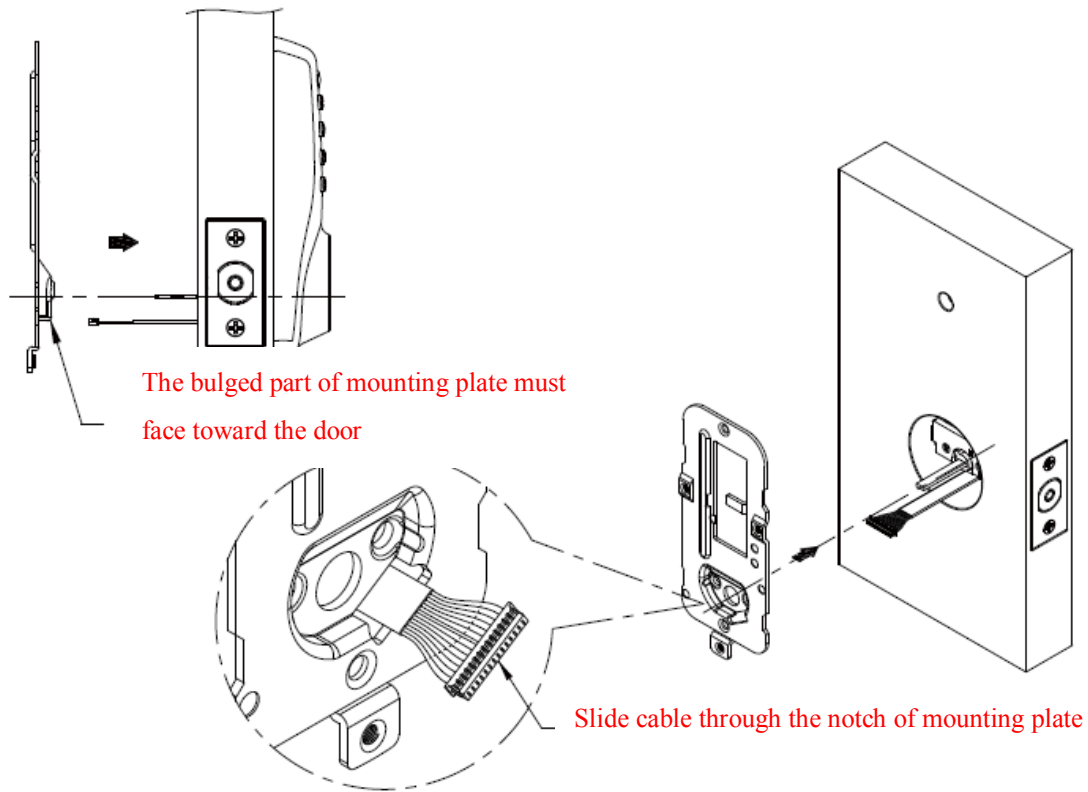
Drill a 5/16" (ø8mm) hole on the door when the screw post is installed.



Place the cable underneath the latch

P17.

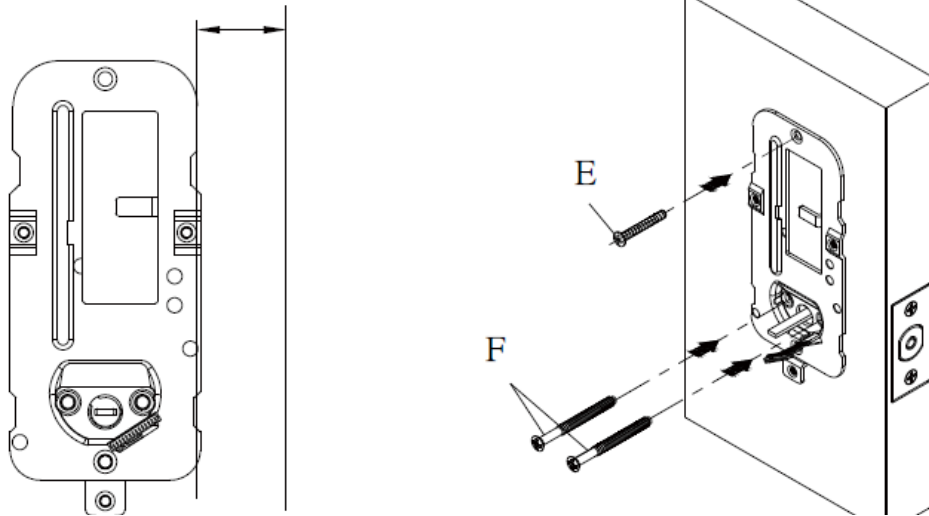
INSTALLATION INSTRUCTION: COMBINE THE MOUNTING PLATE WITH THE EXTERIOR ASSEMBLY



P18.

INSTALLATION INSTRUCTION

Make sure the mounting plate is parallel with the edge of the door



Fasten the mounting plate with 2-1/8" (54mm) screws*2 and 1-1/4" (32mm) screw*1



Note: Screw (E) is an optional screw. We recommend using screw (E) for the stability of the lockset.

P19.

INSTALLATION INSTRUCTIONS: REMOVE THE DECORATIVE COVER

1. Hold on the lip of the decorative cover



2. Put the thumbs on the thumbturn

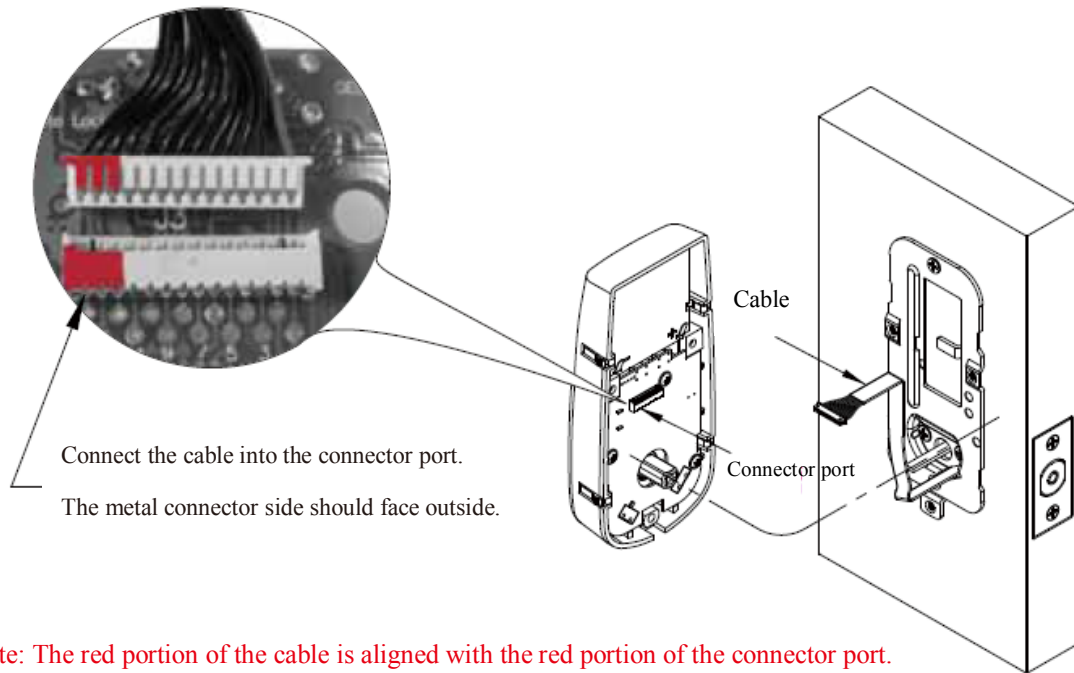


3. Remove the decorative cover by pushing the thumbturn.



P20.

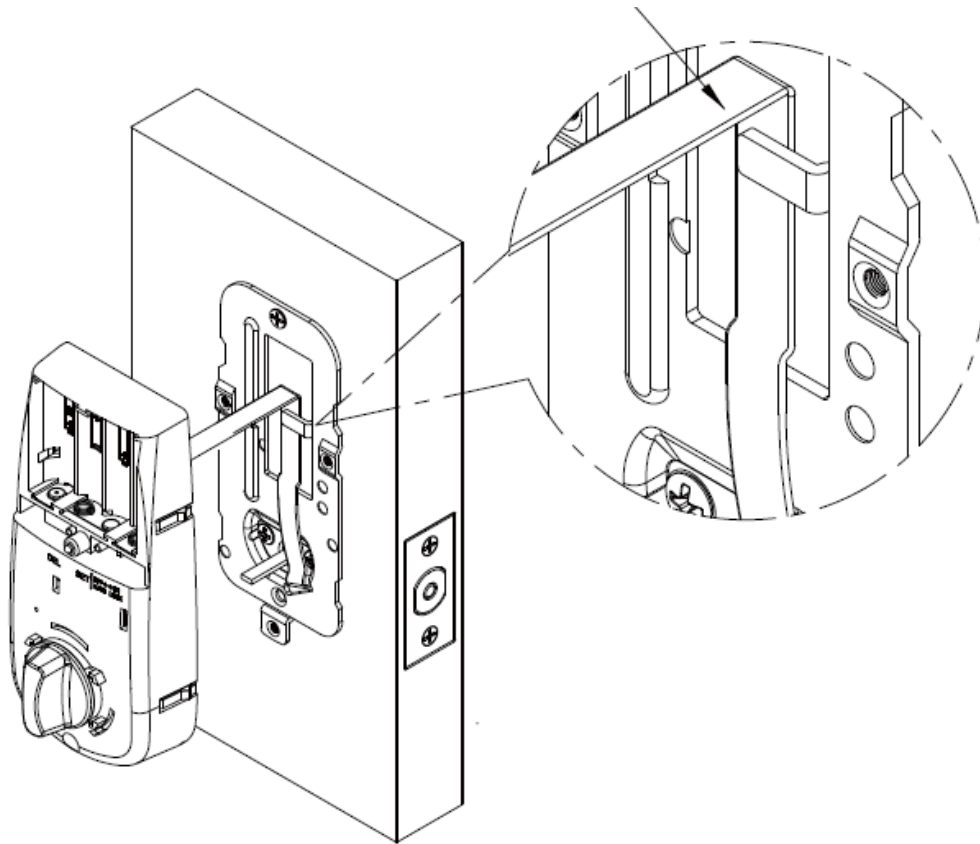
INSTALLATION INSTRUCTIONS: CONNECTING THE CABLE



P21.

INSTALLATION INSTRUCTIONS

The cable must be arranged as shown in the diagram.



P22.

INSTALLATION INSTRUCTIONS: INSTALL THE INTERIOR ASSEMBLY

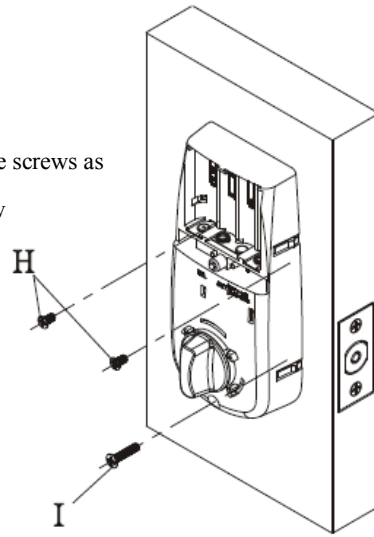
Insert 5/16" (7.8mm) screws "H"
and tighten



Insert 13/16" (20mm) screw "I" and tighten.





Tighten three screws as
shown below

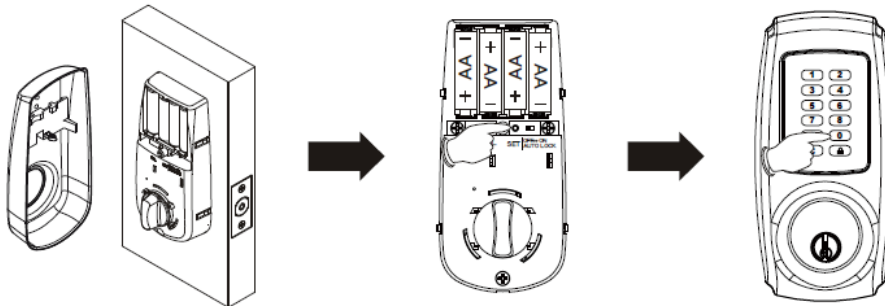


P23.

INSTALLATION INSTRUCTIONS: AUTOMATIC - BOLT DIRECTION DETERMINATION

Steps:

1. Press and hold [SET] button for over 2 seconds. The Red LED will light up and beep twice. You are now under setup mode.
2. Enter 123456 (or current programming code) and then press  button. Enter [00] and press  button. The Red LED will light up for 10 seconds. The lockset will have the bolt direction set.

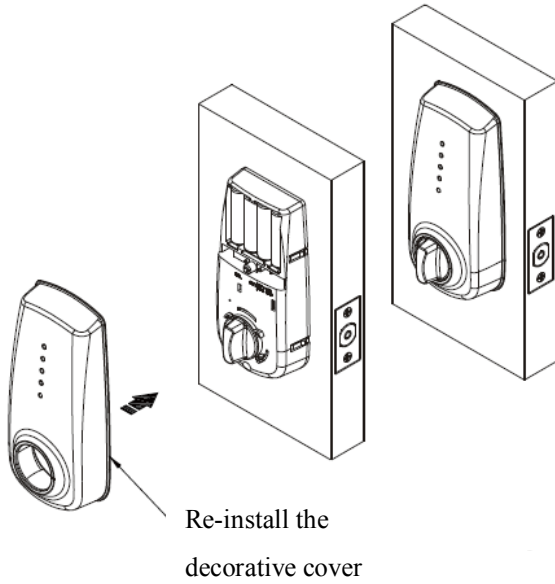


Note: We recommend to do bolt direction determination first once the lockset is installed on the door.

P24.

INSTALLATION INSTRUCTIONS: RE-INSTALL THE DECORATIVE COVER

We recommend re-installing the decorative cover after completing setup mode in page 18 to page 30.



If you want to remove the decorative cover, please hold the bottom of the decorative cover and pull it toward yourself.

P25.




SETUP MODE

HOW TO CHANGE PROGRAMMING CODE

Important:

- The pre-set programming code is 1-2-3-4-5-6.
- Please change the programming code before operating the lockset.

Steps as following:

1. Press and hold [SET] button for over 2 seconds. The Red LED will light up and beep twice. You are now under setup mode.
2. Enter 123456 (or current programming code) and then press button . Enter [10] and press button . Enter new programming code (six digits) and press button .
3. The Red LED will light up for 10 seconds. The lockset will have the new programming code set.

Note:




1. **The lockset will go back to the standby status if no button is pressed in 10 seconds after accessing setup mode.**
2. **If you enter new programming code in 10 seconds after accessing setup mode, the last programming code will be stored in the lockset.**


P26.

SETUP MODE

HOW TO ADD AN USER CODE

Steps as following:

1. Press and hold [SET] button for over 2 seconds. The Red LED will light up and beep twice. You are now under setup mode.
2. Enter 123456 (or current programming code) and then press button . Enter [20] and press button . Enter new user code (four to six digits) and press button .
3. The Red LED will light up for 10 seconds. The lockset will have the new user code set.

(If a number of user codes are to be added at the same time, enter new user code and press  prior to the indicator light timing out 10 seconds after the last press of a keypad button.)

Note:



1. **The lockset will go back to the standby status if no button is pressed in 10 seconds after accessing setup mode.**

P27.

SETUP MODE

HOW TO ADD A PROXIMITY CARD (only available for Proximity Card Electronic Deadbolt)

Steps as following:

1. Press and hold [SET] button for over 2 seconds. The Red LED will light up and beep twice. You are now under setup mode.
2. Enter 123456 (or current programming code) and then press button . Enter [20] and press button . Put card to contact with the inductive zone.
3. The Red LED will light up for 10 seconds. The lockset will have the new card set.

(If a number of proximity cards are to be added at the same time, use new card to contact with the inductive zone prior to the indicator light timing out 10 seconds after the last press of a keypad button.)

Note:





1. **The lockset will go back to the standby status if no button is pressed in 10 seconds after accessing setup mode.**
2. **Please use or purchase proximity cards compatible with standard Mifare -13.56 MHz if you want to have more than one proximity card.**
3. **Proximity card capacity: 10 sets maximum.**

P28.

SETUP MODE

HOW TO ADD A REMOTE CONTROL (only available for Remote Control Electronic Deadbolt)

Steps as following:

1. Press and hold [SET] button for over 2 seconds. The Red LED will light up and beep twice. You are now under setup mode.
2. Enter 123456 (or current programming code) and then press button . Enter [20] and press button . Press any button on the remote control and press button .
3. The Red LED will light up for 10 seconds. The lockset will have the new remote control set.
(If a number of remote controls are to be added at the same time, press any button of the every remote control consecutively and press button  finally prior to the indicator light timing out 10 seconds after the last press of a keypad button.)

Note:


1. **The lockset will go back to the standby status if no button is pressed in 10 seconds after accessing setup mode.**
2. **Please purchase a remote control (produced by our company) from an authorized retailer if you want to have more than one remote control.**
3. **Remote control capacity: 10 sets maximum.**




P29.

SETUP MODE

HOW TO ADD A SINGLE-USE USER CODE/ REMOTE CONTROL (single-use remote control only available for Remote Control Electronic Deadbolt)

Steps as following:

1. Press and hold [SET] button for over 2 seconds. The Red LED will light up and beep twice. You are now under setup mode.
2. Enter 123456 (or current programming code) and then press button .
3. Please turn on auto-lock mode according to [page 38](#) before following the below steps to enable single-use user code/ remote control.

single-use	Follow the below steps.				
User code	Enter [21]	Press button 	Enter user codes (4 to 6 digits)	Press button 	User codes could be stored to 5 sets
Remote control			Press any button on the remote control	Press button 	Remote controls could be stored to 5 sets

Note:




1. The lockset will go back to the standby status if no button is pressed in 10 seconds after accessing setup mode.
2. Single-use user code capacity: 5 sets maximum.
3. Single-use remote control capacity: 5 sets maximum.
4. Single-entry user code/single-entry user remote control is only allowed to work once and will become invalid after one use (entry).
5. Do not use your multiple-entry user code/ multiple-entry remote control to facilitate single-entry operation, or your user code and remote control will become invalid after only one use (entry).

P30.


SETUP MODE

HOW TO DELETE AN INDIVIDUAL EXISTING USER CODE

Steps as following:

1. Press and hold [SET] button for over 2 seconds. The Red LED will light up and beep twice. You are now under setup mode.
2. Enter 123456 (or a current programming code) and then press button . Enter [30] and press button . Enter existing user code (that you wish to delete) and press button .
3. The Red LED will light up for 10 seconds. The lockset will delete the existing user code that you do not want.

(If a number of user codes are to be deleted at the same time, enter each user code to be deleted and press

 prior to the indicator light timing out 10 seconds after the last press of a keypad button.)

Note:




1. **The lockset will go back to the standby status if no button is pressed in 10 seconds after accessing setup mode.**


P31.

SETUP MODE

HOW TO DELETE AN INDIVIDUAL EXISTING REMOTE CONTROL (only available for Remote Control Electronic Deadbolt)

Steps as following:

1. Press and hold [SET] button for over 2 seconds. The Red LED will light up and beep twice. You are now under setup mode.
2. Enter 123456 (or current programming code) and then press button . Enter [30] and press button . Press any button on the remote control (that you wish to delete) and press button .
3. The Red LED will light up for 10 seconds. The lockset will delete the existing remote control that you do not want.

(If a number of remote controls are to be deleted at the same time, press any button of the every remote control consecutively and press button  finally prior to the indicator light timing out 10 seconds after the last press of a keypad button.)

Note:



1. **The lockset will go back to the standby status if no button is pressed in 10 seconds after accessing setup mode.**
2. **If any remote control is lost, for your safety, please delete all remote controls and re-add current remote controls excluding the lost one.**

P32.

SETUP MODE

HOW TO DELETE AN INDIVIDUAL EXISTING PROXIMITY CARD (only available for Proximity Card Electronic Deadbolt)

Steps as following:

1. Press and hold [SET] button for over 2 seconds. The Red LED will light up and beep twice. You are now under setup mode.
2. Enter 123456 (or current programming code) and then press button . Enter [30] and press button . Put the card that you wish to delete to contact with the inductive zone.
3. The Red LED will light up for 10 seconds. The lockset will delete the existing card that you do not want.

(If a number of cards are to be deleted at the same time, use every card to contact with the inductive consecutively prior to the indicator light timing out 10 seconds after the last press of a keypad button.)

Note:



1. **The lockset will go back to the standby status if no button is pressed in 10 seconds after accessing setup mode.**
2. **If any card is lost, for your safety, please delete all cards and re-add current cards excluding the lost one.**

P33.

SETUP MODE

HOW TO DELETE ALL EXISTING USER CODES AT ONCE

Steps as following:

1. Press and hold [SET] button for over 2 seconds. The Red LED will light up and beep twice. You are now under setup mode.
2. Enter 123456 (or current programming code) and then press button . Enter [40] and press button .
3. The Red LED will light up for 10 seconds. The lockset will delete all existing user codes.

Note:

1. **The lockset will go back to the standby status if no button is pressed in 10 seconds after accessing setup mode.**



P34.

SETUP MODE

HOW TO DELETE ALL EXISTING PROXIMITY CARDS/ REMOTE CONTROLS AT ONCE

(only available for Proximity Card Electronic Deadbolt/ Remote Control Electronic Deadbolt)

Steps as following:

1. Press and hold [SET] button for over 2 seconds. The Red LED will light up and beep twice. You are now under setup mode.
2. Enter 123456 (or current programming code) and then press button . Enter [41] and press button .
3. The Red LED will light up for 10 seconds. The lockset will delete all existing cards and remote controls.

Note:





1. **The lockset will go back to the standby status if no button is pressed in 10 seconds after accessing setup mode.**
2. **If any card/ remote control is lost, for your safety, please delete all cards/ remote controls and re-add current cards/ remote controls excluding the lost one.**

P35.

SETUP MODE

HOW TO DISABLE ALL EXISTING USER CODES (VACATION MODE)

Steps as following:

1. Press and hold [SET] button for over 2 seconds. The Red LED will light up and beep twice. You are now under setup mode.
2. Enter 123456 (or current programming code) and then press button . Enter [50] and press button .
3. Enter [0] and press button . The Red LED will light up for 10 seconds. The lockset will turn on vacation mode.
4. Enter [1] and press button . The Red LED will light up for 10 seconds. The lockset will turn off vacation mode. (Default vacation mode is off)

Note:





1. **The lockset will go back to the standby status if no button is pressed in 10 seconds after accessing setup mode.**
2. **Vacation mode is used to disable all user codes at the keypad. If a valid user code is entered while the lock is in vacation mode, the lock will not unlock. If you will be away from your home for a period of, it is a good idea to use vacation mode to prevent repeated access attempts.**

P36.

SETUP MODE

HOW TO DISABLE BUTTON SOUND (MUTE MODE)

Steps as following:

1. Press and hold [SET] button for over 2 seconds. The Red LED will light up and beep twice. You are now under setup mode.
2. Enter 123456 (or current programming code) and then press button . Enter [60] and press button  again.
3. Enter [0] and press button . The Red LED will light up for 10 seconds. The lockset will turn on mute mode.
4. Enter [1] and press button . The Red LED will light up for 10 seconds. The lockset will turn off mute mode. (Default mute mode is off.)

Note:




1. **The lockset will go back to the standby status if no button is pressed in 10 seconds after accessing setup mode.**

P37.

SETUP MODE

HOW TO SETUP AUTO-LOCK TIME DELAY

Steps as following:

1. Press and hold [SET] button for over 2 seconds. The Red LED will light up and beep twice. You are now under setup mode.
2. Enter 123456 (or current programming code) and then press button . Enter [70] and press button . Enter the seconds for delay time of auto-locking (10 to 90) and press button .
3. The Red LED will light up for 10 seconds. The lockset will setup auto-lock time delay.

Note:





1. **The lockset will go back to the standby status if no button is pressed in 10 seconds after accessing setup mode.**
2. **The lockset will flash and beep three times if the seconds for delay time of auto-locking is not within 10 to 90 seconds.**
3. **Default auto-lock time delay is 10 seconds.**

P38.


SETUP MODE

HOW TO ENABLE AUTO-LOCK MODE

Steps as following:

1. Press and hold [SET] button for over 2 seconds. The Red LED will light up and beep twice. You are now under setup mode.
2. Enter 123456 (or current programming code) and then press button . Enter [80] and press button .
3. Enter [0] and press button . The Red LED will light up for 10 seconds. The lockset will turn on auto-lock mode.
4. Enter [1] and press button . The Red LED will light up for 10 seconds. The lockset will turn off auto-lock mode. (Default auto-lock mode is off)

Note:




1. **The lockset will go back to the standby status if no button is pressed in 10 seconds after accessing setup mode.**
2. **The lockset will auto-lock in 10 seconds (default value) without flashing and beeping after unlocking if you turn on auto-lock mode.**
3. **The lockset can still be locked by pressing button  manually even if you turn on auto-lock mode.**

P39.


SETUP MODE

HOW TO ENABLE DOUBLE AUTHORIZATION MODE (only available for Proximity Card Electronic Deadbolt/ Remote Control Electronic Deadbolt)

Steps as following:

1. Press and hold [SET] button for over 2 seconds. The Red LED will light up and beep twice. You are now under setup mode.
2. Enter 123456 (or current programming code) and then press button . Enter [99] and press button .
3. Enter [0] and press button . The Red LED will light up for 10 seconds. The lockset will turn on double authorization mode.

(When double authorization mode is turned on, both user code and card, or, both user code and remote control must be authenticated to unlock the lockset.)

4. Enter [1] and press button . The Red LED will light up for 10 seconds. The lockset will turn off double authorization mode. (Default double authorization mode is off.)

Note:

1. **The lockset will go back to the standby status if no button is pressed in 10 seconds after accessing setup mode.**
2. **Please make sure that both user code and card, or both user code and remote control, are stored in the lockset before you turn on double authorization mode.**

P40.

SETUP MODE

HOW TO RESTORE FACTORY SETTING

Steps as following:

1. Remove one battery from the battery pack.
2. Press [SET] button and put the battery back simultaneously. The Green LED will light up and beep twice. All functions will be restored back to factory setting.

Note:

1. All existing user codes and current programming code will be deleted.
2. Lock will be restored to pre-set programming code of 1-2-3-4-5-6.
3. Please change the programming code and add a new user code immediately before operating the lockset.

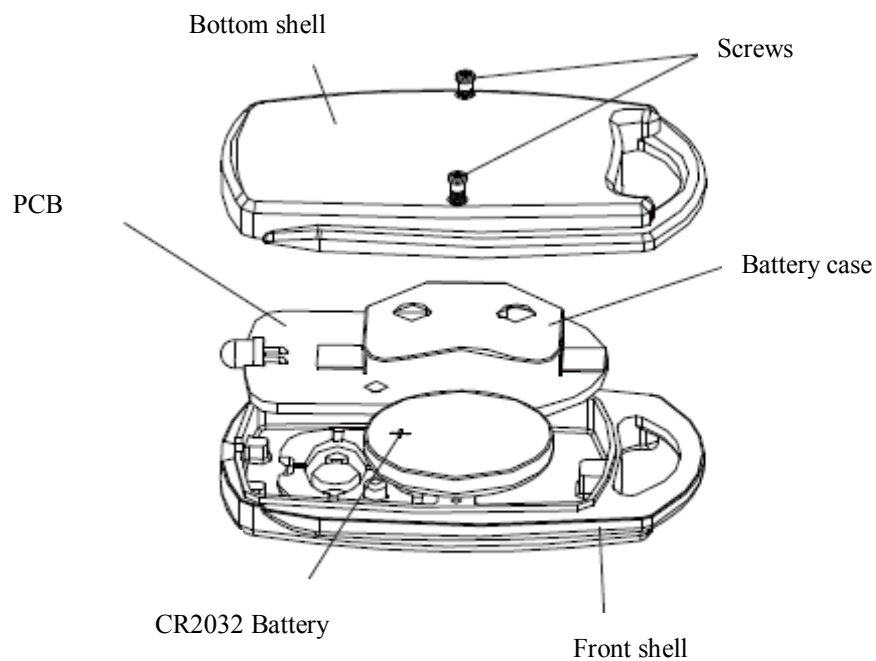
P41.

SETUP MODE

HOW TO REPLACE BATTERIES OF REMOTE CONTROL

Steps as following:

1. Loose two screws before opening the bottom shell.
2. Take the PCB out.
3. Push the battery out by inserting the tool into the crack between the PCB and the electrode terminal.
4. Push into the new battery.
5. Replace the PCB.
6. Place the bottom shell back and tighten the screws.



(The carving side should face up and the connecting point should face down)

P42.

OPERATION MODE

HOW TO LOCK manually

Keypad: Press button  to lock the door.

Remote control: Press lock button to lock the door as shown. **(Only available for Remote Control Electronic Deadbolt)**



HOW TO LOCK automatically

1. Auto-lock mode should be turned on and auto-lock time delay should be also set up.
2. The lockset will be auto-locked in few seconds (default 10 seconds or the time you entered) after unlocking by using codes, card, or remote control.

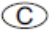
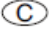
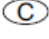
P43.

OPERATION MODE

HOW TO UNLOCK

1. Enter a valid code, put card to contact with the inductive zone, or press unlock button on the remote control to unlock the lockset.
2. With double authorization mode is turned on, both user code and card, or both user code and remote control, must be authenticated to unlock the lockset.

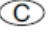
Note:

1. If you cannot unlock the lockset by using card, especially the lockset is mounted outside or under the sun, please wakeup the lockset by pressing button  on the keypad first, then unlock the lockset by using card.
2. When you enter codes, the keypad backlight will also be activated automatically under low-light environment.
3. Please press button  to clear previous codes and re-enter codes if the previous codes are incorrect.
4. If you do not press button  to clear previous incorrect codes, the red LED will light up and you have to wait until the red LED lights off, then the lockset is allowed to re-enter codes.

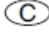
P44.

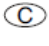
OPERATION MODE

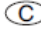
SAFE MODE

1. The keypad will be automatically deactivated for 1 minute after 4 wrong attempts.
2. Wrong attempts will not be counted when you press button  to clear previous incorrect codes before the red LED lights up.
3. The deadbolt can be locked or unlocked by a valid traditional key under security.

P45.**TROUBLESHOOTING GUIDELINE**

QUESTIONS	ANSWERS
The lockset did not operate correctly after installation.	<ol style="list-style-type: none"> 1. Check center of strike hole for alignment with latch hole on the door to ensure free movement for the deadbolt. 2. Make sure the tailpiece is properly inserted (in the horizontal position) in the latch. 3. Do [AUTOMATIC -BOLT DIRECTION DETERMINATION].
Feel a bump while turning of the motor.	<ol style="list-style-type: none"> 1. Please rotate the thumbturn back and forth a few times.
Feel a bump while turning the thumbturn or the key.	<ol style="list-style-type: none"> 1. Please execute lock & unlock function to allow the motor for repositioning again.
Keypad is not response at all.	<ol style="list-style-type: none"> 1. Check to see if the batteries are well-installed. 2. Check to see if the Yellow LED light is flashing or not. It means "low battery" when the light keeps flashing. 3. Make sure the cable is well-connected to the port.
Programming code cannot be changed.	<ol style="list-style-type: none"> 1. Please complete the "HOW TO CHANGE PROGRAMMING CODE" process by inputting codes within 10 seconds. 2. Please make sure you have entered the new programming code twice correctly or go back to the factory setting and reset the programming code again.
I cannot delete all user codes.	<ol style="list-style-type: none"> 1. Make sure all code inputting processes should be completed within 10 seconds. 2. Make sure you have entered the correct programming code. 3.  button should be held over 3 seconds.
I cannot add a new user code.	<ol style="list-style-type: none"> 1. Make sure all code inputting processes should be completed within 10 seconds. 2. Make sure you have entered the correct programming code.

	<p>3. The new user code will not be accepted if 10 sets of user codes are already stored in the memory.</p>
<p>The lockset is not able to unlock by the keypad</p>	<ol style="list-style-type: none"> 1. Make sure you have entered the correct user code. 2. Check to see if the Yellow LED light is flashing or not. It means "low battery" if the light keeps flashing. 3. Please make sure the position of strike plate is installed correctly if you see the latch is jammed.
<p>I am unable to reset the lockset.</p>	<ol style="list-style-type: none"> 1. Please refer to "HOW TO RESTORE FACTORY SETTING" section and make sure all steps are followed correctly. 2. Check to see if the Yellow LED light is flashing or not. It means "low battery" if the light keeps flashing.
<p>Red LED light is still on after setting is completed.</p>	<ol style="list-style-type: none"> 1. Please make sure if [SET] button is jammed. 2. Please re-install the batteries.
<p>"Auto lock" is malfunction.</p>	<ol style="list-style-type: none"> 1. Please make sure turn on auto-lock mode. 2. Check to see if the Yellow LED light is flashing or not. It means "low battery" if the light keeps flashing.
<p>Yellow LED light keeps flashing.</p>	<p>The battery is getting low, please reinstall all new batteries for best performance (AA size Alkaline batteries are only allowed).</p>
<p>What should I do if I input the wrong code?</p>	<ol style="list-style-type: none"> 1. Press button  once and continue to input code according to regular procedures.
<p>How to operate this lock under a dark situation?</p>	<ol style="list-style-type: none"> 1. Press any button on the keypad to initiate LED backlight.
<p>Card or remote control is lost.</p>	<ol style="list-style-type: none"> 1. For your safety, please delete all cards/remote controls and re-add current cards/remote controls excluding the lost one.
<p>Need more remote controls.</p>	<ol style="list-style-type: none"> 1. Please purchase the remote control (produced by our company) from an authorized retailer. Other remote controls

	maybe not compatible with this lockset.
Need more proximity cards.	<ol style="list-style-type: none"> 1. Proximity card we offer is the latest Radio Frequency Identification (RFID) technology, compatible with standard Mifare -13.56 MHz. 2. You can use any card compatible with standard Mifare -13.56 MHz or purchase new cards from an authorized retailer.
What should I do if the lockset cannot be unlocked by using card?	<ol style="list-style-type: none"> 1. Make sure this card is stored in the lockset. 2. Please press button  first then use card to unlock. 3. Please put card to contact with the inductive zone to unlock.
If the lock appears to be damaged or does not function properly, please contact your local provider for more help.	

P49.

DECLARATIONS AND SAFETY STATEMENTS

Federal Communications Commission Statement

This device complies with Part 15 of the FCC. Operation is subject to the following two conditions: (1) this device may not cause harmful interference, and (2) this device must accept any interference received, including interference that may cause undesired operation.

Changes or modifications not expressly approved by the party responsible for compliance could void the user's authority to operate the equipment.

NOTE:

This equipment has been tested and found to comply with the limits for a Class B digital device, pursuant to part 15 of the FCC Rules. These limits are designed to provide reasonable protection against harmful interference in a residential installation. This equipment generates, uses, and can radiate radio frequency energy and, if not installed and used in accordance with the instructions, may cause harmful interference to radio communications. However, there is no guarantee that interference will not occur in a particular installation. If this equipment does cause harmful interference to radio or television reception, which can be determined by turning the equipment off and on, the user is encouraged to try to correct the interference by one or more of the following measures:

- Reorient or relocate the receiving antenna.
- Increase the separation between the equipment and receiver.
- Connect the equipment into an outlet on a circuit different from that to which the receiver is connected.
- Consult the dealer or an experienced radio/TV technician for help.

IC Regulations

This Class B digital apparatus complies with Canadian ICES-003.

This device complies with Industry Canada licence-exempt RSS-210 standard. Operation is subject to the following two conditions: (1) this device may not cause harmful interference, and (2) this device must accept any interference received, including interference that may cause undesired operation of the device.

P50.

DATA RECORDS

SECURITY INSTRUCTION:

1. Do not pass your programming code to anyone else.
2. Keep a written copy of user codes that you have programmed into the lock and place it at a safety place. (You may use the table below to record your information)
3. The memory can hold 10 user codes.
4. You are advised to re-program all codes if you lost any security information in the table.

Name	User Code

Name	User Code

Programming code