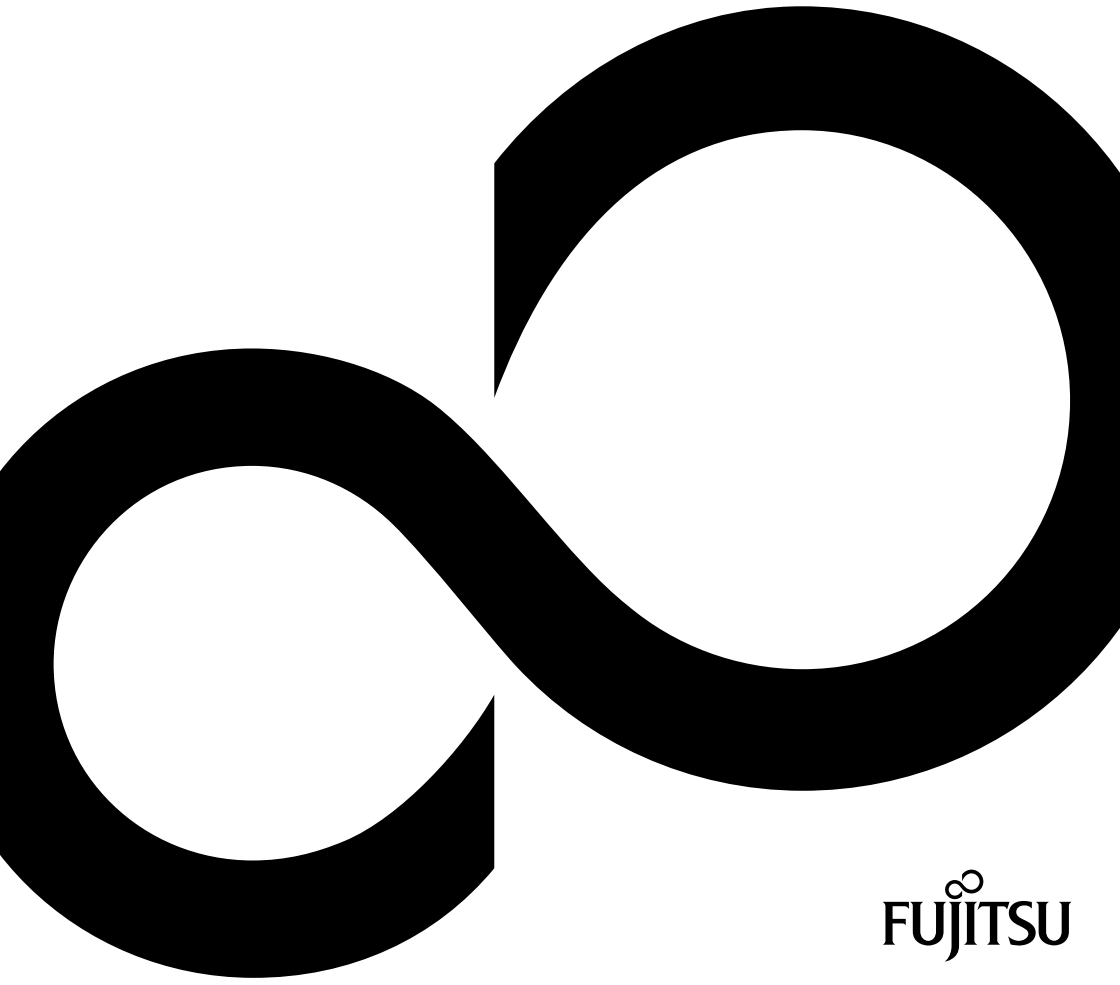


FUJITSU Tablet STYLISTIC Q736





Contact address in North America

FUJITSU AMERICA INC.

1250 East Arques Avenue, Sunnyvale,

CA 94085-3470, U.S.A.

Telephone: 800 831 3183 or 408 746 6000

["http://solutions.us.fujitsu.com"](http://solutions.us.fujitsu.com)

["http://solutions.us.fujitsu.com/contact"](http://solutions.us.fujitsu.com/contact)

Have a question? Email us at: ["AskFujitsu@us.fujitsu.com"](mailto:AskFujitsu@us.fujitsu.com)

Copyright

© 2015 Fujitsu America, Inc. All rights reserved

B5FK-5521-01ENZ0-00

FUJITSU Tablet STYLISTIC Q736

Operating Manual

Declarations of conformity	7
Fujitsu Contact Information	8
Ports and controls	10
Important notes	14
First-time setup of your device	18
Working with the Tablet PC	23
Accessories for your Tablet PC (optional)	46
Security functions	66
Connecting external devices	77
Settings in BIOS Setup Utility	81
Troubleshooting and tips	84
Technical data	93
Manufacturer's notes	99
Declarations of conformity	102
FCC and IC Regulatory Information	103
Appendix	107
Index	122

Copyright and Trademark Information

Fujitsu America, Incorporated has made every effort to ensure the accuracy and completeness of this document; however, as ongoing development efforts are continually improving the capabilities of our products, we cannot guarantee the accuracy of the contents of this document. We disclaim liability for errors, omissions, or future changes.

Fujitsu, the Fujitsu logo and STYLISTIC are registered trademarks of Fujitsu Limited or its subsidiaries in the United States and other countries.

Intel and Intel Core are trademarks or registered trademarks of Intel Corporation or its subsidiaries in the United States and other countries.

Microsoft and Windows are either registered trademarks or trademarks of Microsoft Corporation in the United States and/or other countries.

The ExpressCard word mark and logo are owned by the Personal Computer Memory Card International Association (PCMCIA) and any use of such marks by Fujitsu America, Incorporated is under license.

Google is a trademark or registered trademark of Google Incorporated.

Bluetooth is a trademark of Bluetooth SIG, Inc., USA.

OmniPass is a trademark of Softex, Inc.

Roxio is a trademark of Roxio, a division of Sonic Solutions.

PowerDirector, PowerDVD, YouCam, and MakeDisc are trademarks of CyberLink Corp.

Adobe, Acrobat, and Adobe Reader are either registered trademarks or trademarks of Adobe Systems Incorporated in the United States and/or other countries.

Contents

Declarations of conformity	7
Fujitsu Contact Information	8
Notational conventions	9
Ports and controls	10
Important notes	14
Safety instructions	14
Additional safety notes for devices with wireless components	15
Protecting the display screen	15
Energy saving	15
Energy saving under Windows	15
Traveling with your Tablet PC	16
Before you travel	16
Transporting the Tablet PC	17
Cleaning the Tablet PC	17
First-time setup of your device	18
Unpacking and checking the device	18
Choose a location	19
Mounting rubber feet (only for device options with palm vein sensor)	19
Connecting the AC adapter	20
Switching on the device for the first time	21
Installing Bonus Apps	22
Working with the Tablet PC	23
Status indicators	23
Switching the Tablet PC on	25
Programming the ON/OFF button	26
Switching the Tablet PC off	26
Handwriting recognition	26
Touchscreen	27
Select display orientation (portrait or landscape format)	28
Using fingers	28
Calibrate the Dual Digitizer for finger-based operation of the device.	28
Actions with one finger (Windows 8.1 Modern)	29
Actions with one finger (Windows 7 / Windows 8.1 Desktop)	31
Actions with two fingers (Windows 7 / Windows 8.1 Desktop)	32
Using the stylus	34
Stylus location	35
Adjusting the stylus	35
Calibrating the stylus	36
Securing the stylus tether (optional)	36
Tablet buttons	37
Webcam	37
Rechargeable battery	38
Charging and maintaining the battery	38
Using the energy saving functions	39
Memory cards	40
Supported formats	40
Inserting the memory card	40

Removing the memory card	41
SIM card	42
Inserting a SIM card	42
Removing a SIM card	43
Wireless LAN/Bluetooth/4G/LTE/NFC wireless components	43
Switching the wireless components on and off	43
Configuring WLAN access	43
Further information on WLAN and Bluetooth	44
Access via UMTS	44
Access via Wireless WAN	44
Access via 4G	44
NFC (Near Field Communication, optional)	44
Ethernet and LAN (only with performance docking cradle, keyboard docking station or power keyboard docking station)	45
GPS	45
Accessories for your Tablet PC (optional)	46
Your performance docking cradle (optional)	47
Performance docking cradle components	47
Setting up the performance docking cradle	47
Connecting the Tablet PC to the performance docking cradle	48
Disconnecting the Tablet PC from the performance docking cradle	49
Keyboard docking station or power keyboard docking station (optional)	50
Ports on the keyboard docking station or power keyboard docking station	51
Connecting the Tablet PC to the keyboard docking station or power keyboard docking station	53
Separating the Tablet PC from the keyboard docking station or power keyboard docking station	54
Removable rechargeable battery for the power keyboard docking station (optional)	55
Intermediary VESA Mount Plate (optional)	58
Hand strap (optional)	60
Shoulder strap (optional)	62
Folio case (optional)	64
Security functions	66
Configuring the fingerprint sensor	67
Using the palm vein sensor (device-dependent)	68
Using the Security Lock	70
Configuring password protection in BIOS Setup Utility	70
Protecting BIOS Setup Utility (supervisor password and user password)	71
Password protection for booting the operating system	72
Password protection for the hard disk	73
SmartCard reader (optional)	74
Inserting the SmartCard	75
Trusted Platform Module - TPM (device dependent)	76
Enabling TPM	76
Disabling TPM	76
Connecting external devices	77
Connecting an external monitor	77
Micro HDMI port	77
HDMI port (only performance docking cradle, keyboard docking station or power keyboard docking station)	78

VGA monitor port (only performance docking cradle, keyboard docking station or power keyboard docking station)	78
Connecting USB devices	79
How to remove USB devices correctly	79
Connecting external audio devices	80
Connecting headphones or other audio output devices	80
Connecting a microphone or other audio input devices	80
Settings in BIOS Setup Utility	81
Starting the BIOS Setup Utility	81
BIOS Setup Utility operation	82
Exiting BIOS Setup Utility	83
Exit Saving Changes - save changes and exit BIOS Setup Utility	83
Exit Discarding Changes - Reject changes and exit BIOS Setup Utility	83
Load Setup Defaults – load default values	83
Discard Changes - Discard Changes without exiting BIOS Setup Utility	83
Save Changes - save changes without exiting the BIOS Setup Utility	83
Save changes and power off	83
Troubleshooting and tips	84
Executing a reset	85
Forced shutdown	85
Resetting the rechargeable battery	85
Help if problems occur	85
Recovering your Factory Image	85
The Tablet PC's date or time is incorrect	85
Battery indicator does not illuminate	86
The Tablet PC's touchscreen remains dark	86
The display on the Tablet PC's touchscreen is difficult to read.	86
The external monitor remains blank	87
The external monitor is blank or the image is unstable	87
The cursor does not correctly follow the stylus movements	87
Stylus input not working	88
The Tablet PC does not start after switch on	88
The Tablet PC stops working	88
The printer does not print	89
The wireless connection to a network does not work	89
The battery discharges too quickly	89
Smart Card reader is not recognized	90
SmartCard PIN forgotten	90
User and/or supervisor Smart Card lost	90
SmartCard lost	91
Acoustic warning	91
Error messages on the screen	91
Technical data	93
Tablet PC	93
WLAN specifications	94
Rechargeable battery	96
AC adapter 65 W for the Tablet PC	96
Performance docking cradle (optional)	96
AC adapter 65 W for the performance docking cradle (optional)	97
Keyboard docking station or power keyboard docking station (optional)	97
Rechargeable battery for power keyboard docking station (device-dependent)	97

Intermediary VESA Mount Plate	98
Hand strap (optional)	98
Shoulder strap (optional)	98
Folio case (optional)	98
Manufacturer's notes	99
Disposal and recycling	99
Recycling your battery	99
DOC (Industry CANADA) Notices	99
UL Notice	100
ENERGY STAR Compliance	101
Declarations of conformity	102
FCC and IC Regulatory Information	103
Regulatory Notes and Statements	103
Wireless LAN, Health and Authorization for use	103
Regulatory Information/Disclaimers	103
Federal Communications Commission and Industry Canada statement:	103
Déclaration d'Industrie Canada	104
FCC Interference Statement	104
FCC Radio Frequency Exposure statement	104
Déclaration de la FCC/d'Industrie Canada sur l'exposition aux radiofréquences	105
Export restrictions	105
Restrictions concernant l'exportation	105
Canadian Notice	105
Avis pour le Canada	106
Appendix	107
Before Using the Optional Wireless LAN	107
Wireless LAN Devices Covered by this Document	107
Characteristics of the WLAN Device	107
Wireless LAN Modes Using this Device	107
Deactivating/Disconnecting the WLAN Device	110
Configuring the Wireless LAN	110
Connection to the network	110
Troubleshooting the WLAN	111
Image Backup and Recovery Procedures	112
Creating a Backup of Bootable Disk and Recovery Image	113
RECOVER YOUR SYSTEM WHEN THE HARD DRIVE IS STILL ACCESSIBLE	114
Using the Recovery and Utility Tools	114
Restore the Recovery Image from Hidden Partition	116
RECOVER YOUR SYSTEM WHEN THE HARD DRIVE IS NOT BOOTABLE	117
Restore the Recovery Image for Full Hard Drive	117
Recovering Your Recovery Image Using Recovery and Utility (for new hard drive or non-bootable hard drive)	118
Installing the Software after the Recovery Image is Restored	119
Index	122

Declarations of conformity



DECLARATION OF CONFORMITY

according to FCC Part 15

Responsible Party Name: Fujitsu America, Inc.
Address: 1250 E. Arques Avenue
Sunnyvale, CA 94085
Telephone: (408) 746-6000
Declares that product: Base Model Configuration: STYLISTIC Q736
Complies with Part 15 of the FCC Rules.

This device complies with Part 15 of the FCC rules. Operations are subject to the following two conditions: (1) This device may not cause harmful interference. (2) This device must accept any interference received, including interference that may cause undesired operation.

Fujitsu Contact Information

Service and Support

You can contact Fujitsu Service and Support in the following ways:

- Toll free phone: 1-800-8Fujitsu (1-800-838-5487)
- Website: "<http://solutions.us.fujitsu.com/www/content/support/contact/index.php>"



Before you place the call, have the following information ready so that the customer support representative can provide you with the fastest possible solution:

- Product name
- Product configuration number
- Product serial number
- Purchase date
- Conditions under which the problem occurred
- Any error messages that have occurred
- Type of device connected, if any

Fujitsu Shopping Online

Please go to "<http://www.shopfujitsu.com/store/>".






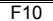
Maintaining Latest Configuration

To ensure that you always have the most current driver updates related to your system, occasionally access the Fujitsu Software Download Manager (FSDM) utility. The FSDM utility is available from the Fujitsu Support site. FSDM will allow you to view a list of the most current drivers, utilities and applications to determine whether you have the latest versions. If you have a Windows 7 or or Windows 8/8.1 operating system, you will need to go to the Support Site to download the FSDM Utility: "<http://support.fujitsupc.com/CS/Portal/support.do?srch=DOWNLOADS>".

Limited Warranty

Your STYLISTIC Tablet PC is backed by a Fujitsu International Limited Warranty. Check the service kit that came with your Tablet PC for the Limited Warranty period and terms and conditions.

Notational conventions

	Pay particular attention to text marked with this symbol. Failure to observe this warning will endanger your life, will damage the device or lead to loss of data. The warranty will be invalidated if the device becomes defective through failure to observe these warnings.
	Indicates important information which is required to use the device properly.
	indicates an activity that must be performed
	indicates a result
This style	indicates data entered using the keyboard in a program dialogue or at the command line, e.g. your password (N ame123) or a command used to start a program (s tart.exe)
This style	indicates information that is displayed on the screen by a program, e.g.: Installation is complete.
<i>This style</i>	indicates <ul style="list-style-type: none"> terms and texts used in a software interface, e.g.: Click on <i>Save</i>. names of programs or files, e.g. <i>Windows</i> or <i>setup.exe</i>.
"This style"	indicates <ul style="list-style-type: none"> Cross-references to another section, e.g. "Safety information" cross-references to an external source, e.g. a web address: For more information, go to "http://solutions.us.fujitsu.com/" names of CDs, DVDs and titles or designations of other materials, e.g.: "CD/DVD Drivers & Utilities" or "Safety/Regulations" manual
	indicates a key on the keyboard, e.g.: 
This style	indicates terms and text that are emphasized or highlighted, e.g.: Do not switch off the device

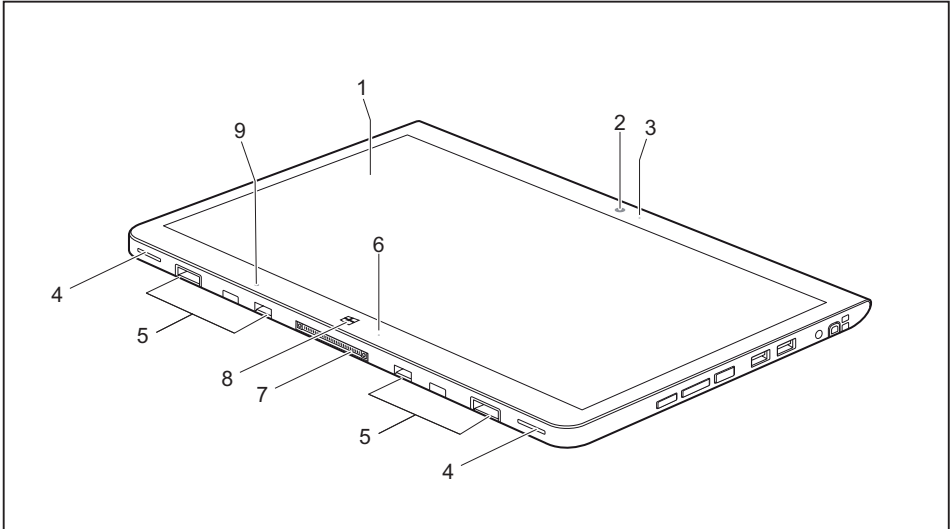
Ports and controls

This chapter presents the individual hardware components of your device. It gives an overview of the indicators and connections of the device. Please familiarize yourself with these items before you start to work with the device.

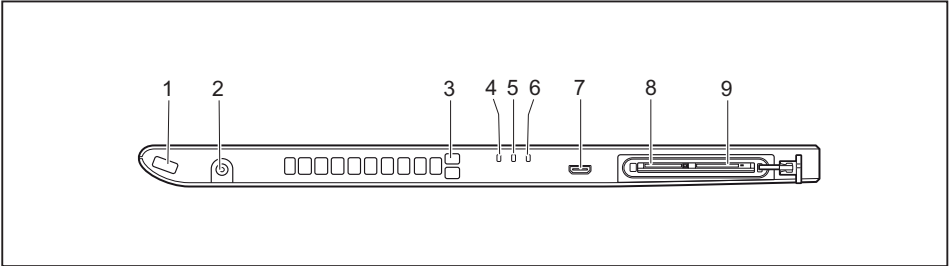
Front (device option without palm vein sensor)



Depending on your selected device option, the Tablet PC may be equipped with a palm vein sensor on its right side, see "Right-hand side" subchapters on the following pages.

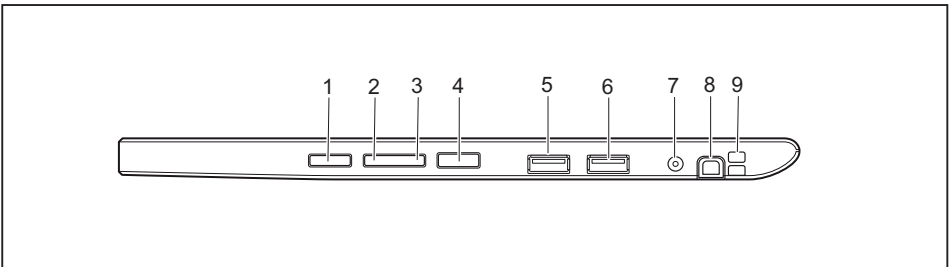


- | | |
|---|--------------------------|
| 1 = Touchscreen | 6 = Power-on indicator |
| 2 = Webcam | 7 = Docking port |
| 3 = Webcam LED | 8 = Windows button |
| 4 = Speaker | 9 = Ambient light sensor |
| 5 = Mechanical mounting for (power)
keyboard docking station / performance
docking cradle | |

Left-hand side

- 1 = Security Lock device
- 2 = DC jack (DC IN)
- 3 = Tether eyelet for stylus tether
- 4 = Power-on indicator
- 5 = Battery charging indicator
- 6 = Wireless indicator

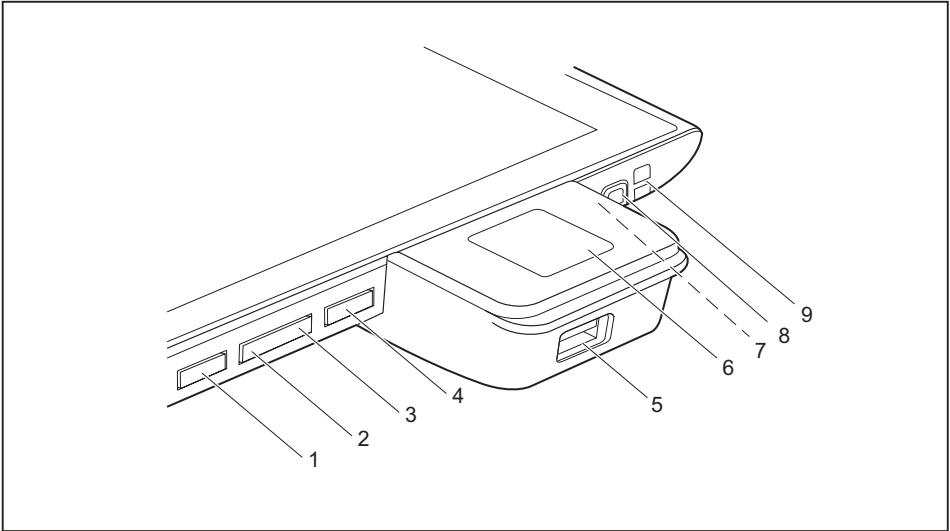
- 7 = Micro HDMI port
- 8 = Storage card slot (micro SD, protected by cover)
- 9 = SIM card slot (micro SIM, protected by cover)

Right-hand side (device option without palm vein sensor)

- 1 = Shortcut button
- 2 = Decrease volume button
- 3 = Increase volume button
- 4 = ON/OFF button
- 5 = USB port (USB 2.0)

- 6 = USB port (USB 3.0)
- 7 = Combined headphones and microphone port
- 8 = Stylus slot
- 9 = Eyelet for stylus cord

Right-hand side (device option with palm vein sensor)



1 = Shortcut button

2 = Decrease volume button

3 = Increase volume button

4 = ON/OFF button

5 = USB port (USB 2.0)

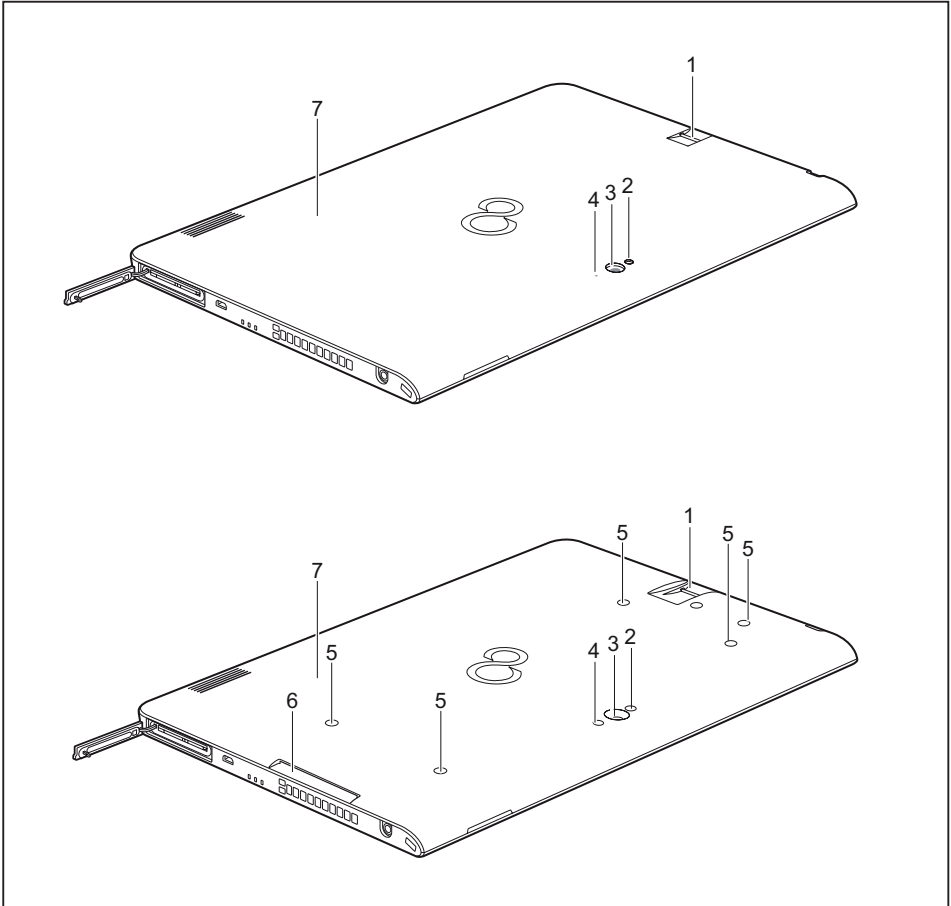
6 = Palm vein sensor

7 = Combined headphones and microphone port (not visible in the image)

8 = Stylus slot

9 = Eyelet for stylus cord

Rear (2 options: without screw holes or with screw holes and Smart Card reader)



1 = Fingerprint sensor

2 = Camera light

3 = Webcam

4 = Webcam LED

5 = Screw holes (device-dependent) for
securing accessories

6 = SmartCard reader (device dependent)

7 = NFC (Near Field Communication)
(device-dependent)

Important notes



This chapter contains essential safety information which must be followed when working with your Tablet PC. The other notes provide useful information about your Tablet PC.

Safety instructions



Please follow the safety notes provided in the "Safety/Regulations" manual as well as the safety notes given below.

Please pay special attention to the sections in the manual marked with the symbol on the left.

When connecting and disconnecting cables, observe the relevant notes in this operating manual.

Read the information on the ambient conditions in the "[Technical data](#)", [Page 93](#) chapter and the information in the "[First-time setup of your device](#)", [Page 18](#) chapter before preparing your Tablet PC for use and switching it on for the first time.

When cleaning the device, please observe the relevant notes in the section "[Cleaning the Tablet PC](#)", [Page 17](#).

Pay attention to the additional safety notes for devices with wireless components provided in the "Safety/Regulations" manual.

When handling this device, you come into contact with lead, a chemical which in California is held to be a possible cause of birth defects and other damage to fertility.

Wash your hands after using the device.

This Tablet PC complies with the relevant safety regulations for data processing equipment. If you have questions as to whether you can set up the Tablet PC in the intended environment, please contact your sales outlet or our hotline/service desk.

Additional safety notes for devices with wireless components

If a wireless component (Wireless LAN, Bluetooth, 4G) is integrated in your Tablet PC, you must be sure to observe the following safety precautions when using your Tablet PC:

- Switch off the wireless components when you are in an aircraft or driving in a car.
- Switch off the wireless components when you are in a hospital, an operating room or near a medical electronics system. The transmitted radio waves can impair the operation of medical devices.
- Switch off the wireless components, when you let the device get near flammable gases or into hazardous environments (e.g. gas station, paint stores), as the transmitted radio waves can cause an explosion or a fire.



For further information on how to switch the wireless components on and off, refer to section "[Switching the wireless components on and off](#)", Page 43.

Protecting the display screen



Do not pour liquids on the system or wash it with a heavily soaked cloth. Do not place items on the top of the monitor in order to prevent it from being damaged.

During normal use of the device, small particles from the environment can become embedded in the stylus tip and scratch the screen. The warranty does not cover a scratched screen.

Energy saving

If you will not be using your Tablet PC, switch it off. Switch off any connected external devices when they are not in use. If you use the energy-saving functions, the Tablet PC uses less power. If you do this, you will be able to work longer with the Tablet PC before having to recharge the battery.



The energy efficiency is increased and environmental pollution is reduced. You save money and help protect the environment.

Energy saving under Windows

- ▶ Make use of the available energy-saving functions as described in chapter "[Using the energy saving functions](#)", Page 39.

Traveling with your Tablet PC

Please follow the instructions below when traveling with your Tablet PC.

Before you travel

- ▶ Back up important data stored on your hard disk.
- ▶ Switch off the wireless component for data security reasons. With data traffic via a wireless connection, it is also possible for unauthorized third parties to receive data.



Information on activating data encryption is provided in the documentation for your wireless component.

- ▶ If you want to use your Tablet PC during a flight, ask the flight attendants to see it is safe to use it.

When traveling in other countries

- ▶ If you are traveling abroad, check that the AC adapter can be operated with the local AC voltage. If this is not the case, obtain the appropriate AC adapter for your Tablet PC. Do not use any other voltage converter!
- ▶ Check whether the local AC voltage and the AC cable are compatible. If this is not the case, buy an AC cable that suits the local conditions.
- ▶ Enquire with the appropriate government office of the country you will be traveling in as to whether you may there operate the wireless component integrated in your Tablet PC.
- ▶ Take the necessary travel adapters with you when traveling abroad. Check in the following table for which travel adapters you will need, or ask your travel organizer.

Power connection	Travel destination
	United States, Canada, Mexico, parts of Latin America, Japan, Korea, Philippines, Taiwan
	Russia and the Commonwealth of Independent States (CIS), much of Europe, parts of Latin America, the Middle East, parts of Africa, Hong Kong, India, much of south-east Asia
	United Kingdom, Ireland, Malaya, Singapore, parts of Africa
	China, Australia, New Zealand

Transporting the Tablet PC



Protect the Tablet PC from severe shocks and extreme temperatures (e.g. direct sunlight in a car).

- Do not transport your Tablet PC while it is turned on.
- Carry your Tablet PC with you while traveling. Do not check it in as baggage.
- Never put your Tablet PC through a metal detector. Have it hand-inspected by security personnel. You can however put your Tablet PC through a properly tuned X-ray machine. To avoid problems, place it close to the entrance of the machine and remove it as soon as possible or have it hand-inspected by security personnel. Security officials may require you to turn your Tablet PC on. So make sure you have a charged battery on hand for this.

- ▶ Switch the Tablet PC off.
- ▶ Unplug the AC plug of the AC adapter and all external devices from the power outlets.
- ▶ Disconnect the AC adapter cable and the data cables for all external devices.
- ▶ To protect against damaging jolts and bumps, use a suitable Tablet PC carrying case to transport your Tablet PC.

Cleaning the Tablet PC



Do not clean any interior parts yourself; leave this job to a service technician.

Only use detergents designed for computers. Normal household cleaners and polishes can damage the labels on the keyboard and the Tablet PC, the paintwork or the Tablet PC itself.

Ensure that no liquid enters the Tablet PC.

The touchscreen is very sensitive to scratches! Only clean the display surface with a very soft, slightly damp cloth.

- ▶ Switch the Tablet PC off.
- ▶ To prevent the device from being switched on unintentionally, remove the AC plug of the AC adapter from the power outlet.
- ↳ The surfaces may be cleaned with a dry cloth. If particularly dirty, use a cloth which has been moistened in mild domestic detergent and then carefully wrung out.

First-time setup of your device



Please read the chapter ["Important notes", Page 14](#).

If your device is equipped with a Windows operating system, the necessary hardware drivers and supplied software are already pre-installed.

Before switching it on for the first time, connect the device to the AC voltage using the AC adapter, see ["Connecting the AC adapter", Page 20](#). The AC adapter must remain connected during the whole of the installation process.

A system test is performed when your device is first switched on. Various messages can appear. The display may remain dark for a short time or may flicker.

Please follow the instructions on the screen.

NEVER switch off your device during the first-time setup process.

The battery must be charged if you want to operate your device using the battery.

When used on the move, the built-in battery provides the device with the necessary power. You can increase the operating time by using the available energy-saving functions.

For instructions on how to connect external devices (e.g. mouse, printer) to your Tablet PC, please refer to the operating manual for your device.

Unpacking and checking the device



If you find that damage has occurred during transport, please notify your local sales outlet immediately!

- ▶ Unpack all the individual parts.
- ▶ Check your device for any visible damage which may have occurred during transportation.



You may need to reuse the packaging in the future, for example if you need to ship your device.

Choose a location



Choose a suitable location for the device before setting it up. In doing so, please follow these instructions:

- Never place the device or the AC adapter on a heat-sensitive surface. The surface could be damaged as a result.
- Never place the device on a soft surface (e.g. carpeting, upholstered furniture, bed). This can result in damage caused by overheating.
- The back of the device heats up during normal operation. Prolonged contact with skin can become unpleasant or even result in burns.
- Place the device on a stable, flat, non-slippery surface. Please note that the rubber feet of the device may mark certain types of delicate surfaces.
- Keep other objects at least 100 mm / 4 inches away from the device and its AC adapter to ensure adequate ventilation.
- Do not expose the device to extreme environmental conditions. Protect the device against dust, humidity and heat.

Mounting rubber feet (only for device options with palm vein sensor)



Prior to using the device options mentioned above for the first time Fujitsu recommends the installation of the provided rubber feet.

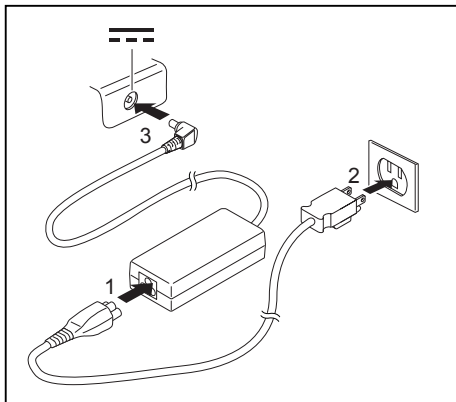
- ▶ Install the rubber feet, see section ["Using the palm vein sensor \(device-dependent\)", Page 68](#).

Connecting the AC adapter



Observe the safety notes in the enclosed "Safety/Regulations" manual.

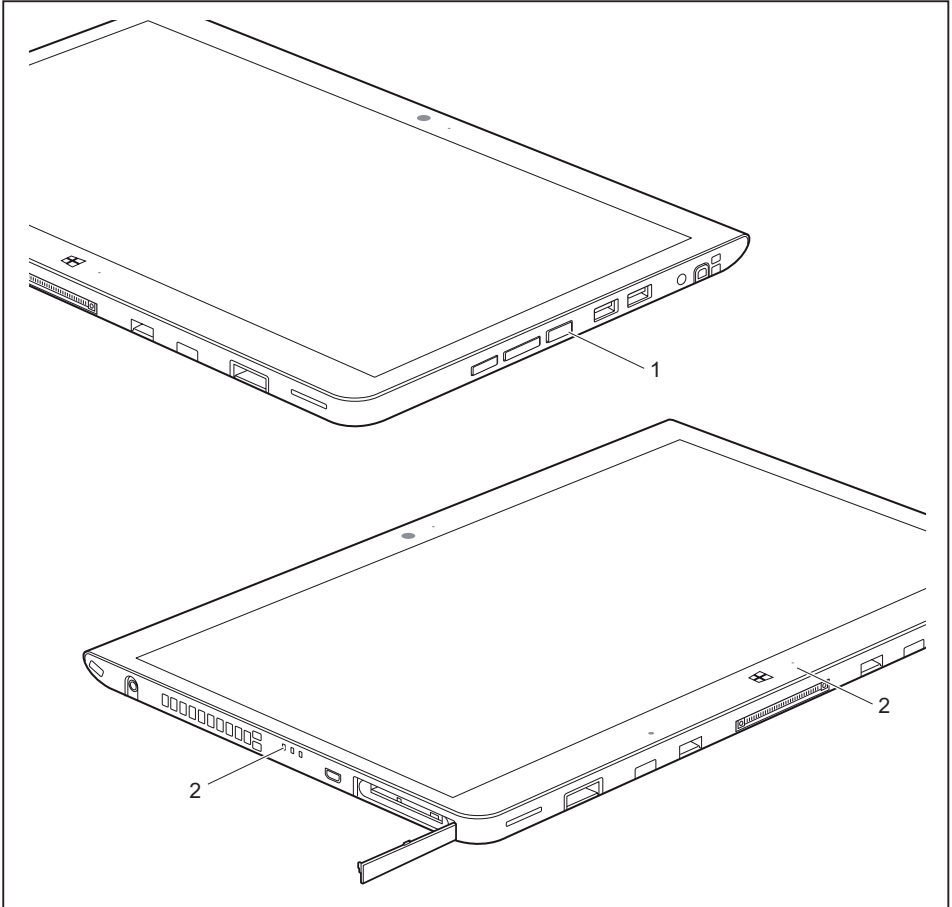
The supplied AC cable conforms to the requirements of the country in which you purchased your device. Make sure that the AC cable is approved for use in the country in which you intend to use it.



- ▶ Connect the AC cable (1) to the AC adapter.
- ▶ Plug the AC cable (2) into a power outlet.
- ▶ Connect the AC adapter cable (3) to the DC jack (DC IN) of the device.

Switching on the device for the first time

To make it easier to use your device for the first time, the operating system is pre-installed on the hard disk.



- ▶ Press the ON/OFF button (1) for about one second to switch the device on.
- ↳ The power-on indicators (2) light up whenever the system is switched on.

- ▶ During the installation process, follow the on-screen instructions.



You can find information and help on the Windows operating system functions online at "<http://windows.microsoft.com>".

If a Windows 8.1 operating system is installed on your Tablet PC, a tutorial is automatically started when a new user logs on for the first time to show you how to use the new functions of Windows 8.1.

Installing Bonus Apps

After you have started your system the first time, you will see a Bonus Apps icon on your desktop.

- ▶ Click on the icon to see which additional applications are available for you to install.
- ↳ Applications that are already installed appear in grey, those that are available for installation appear in blue.
- ▶ Select the applications you wish to install by selecting the checkbox adjacent to your selection.

or

- ▶ Click *Select All* if you would like to install all available applications.
- ▶ To confirm your selection, click *Install*.



Note that in some cases (depending upon which application was selected for installation) after installation completes, the system will prompt you to reboot.

There are also cases in which if multiple applications are selected to install but one of them needs a reboot, the system will reboot and continue installing the rest of the selected applications.

Working with the Tablet PC

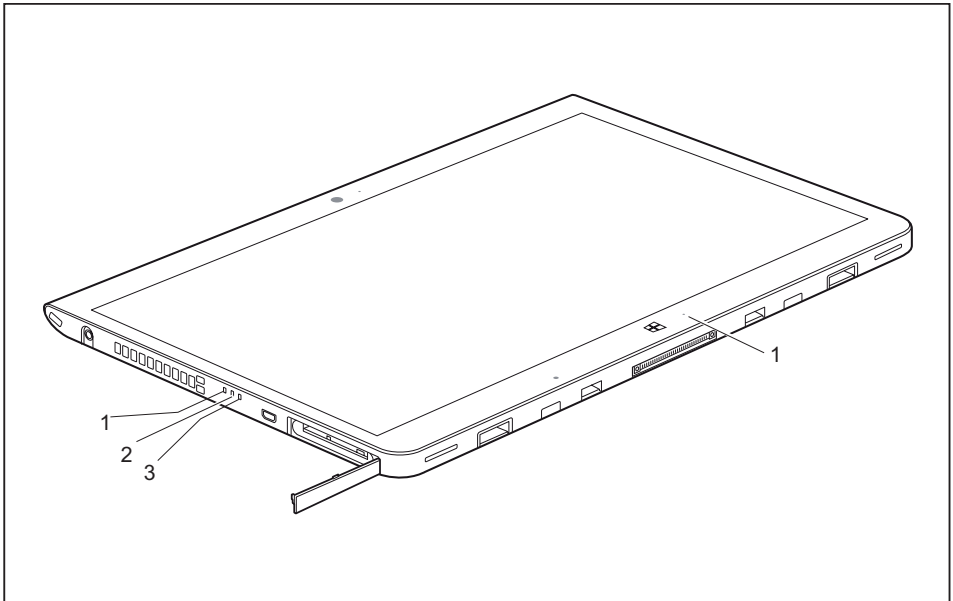
This chapter describes the basics for operating your Tablet PC. You can find instructions on how to connect external devices (e.g. mouse, flash storage) to the Tablet PC in the chapter ["Connecting external devices", Page 77](#).






Please refer to the notes in the chapter ["Important notes", Page 14](#).

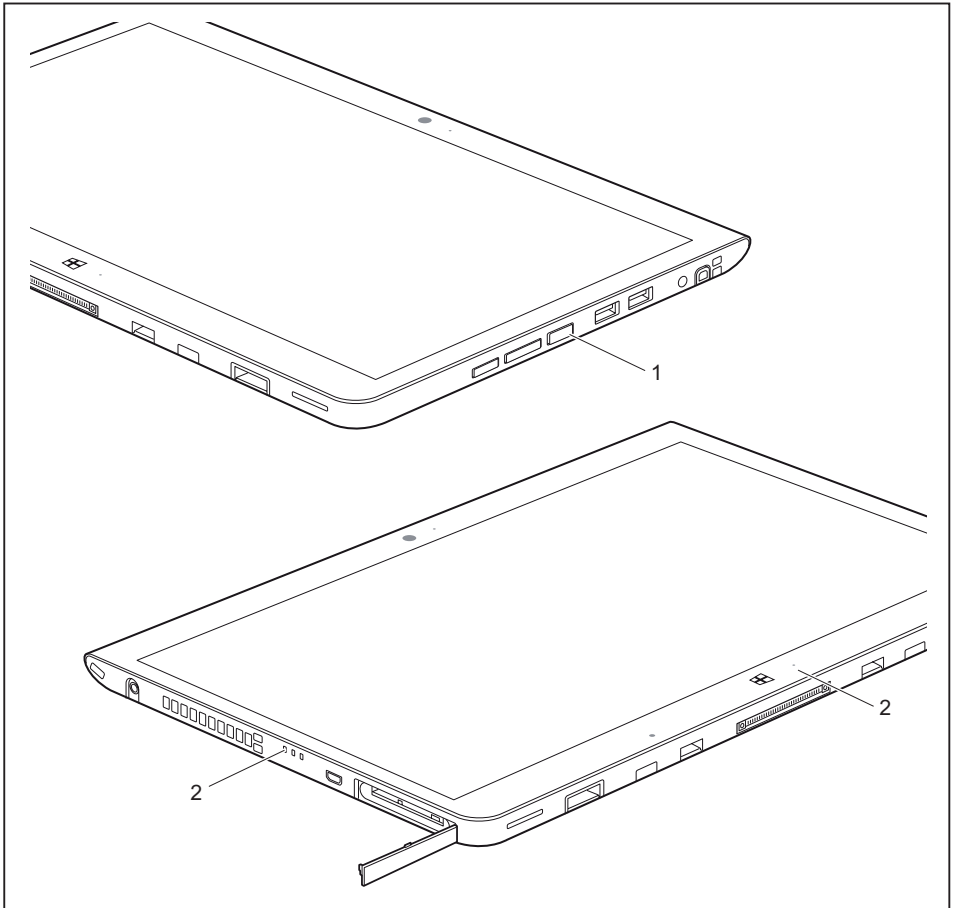
Status indicators

The status indicators (1, 2, 3) provide information about the status of the power supply, the drives and the keyboard functions, etc.



No.	Status indicator	Description
1		<p>Power-on indicator</p> <ul style="list-style-type: none"> • The indicator lights up white: The Tablet PC is switched on. • The indicator flashes: The Tablet PC is in sleep mode (Save-to-RAM). • The indicator is not lit: The Tablet PC is switched off or in Save-to-Disk mode.
2		<p>Battery charging indicator</p> <ul style="list-style-type: none"> • The indicator light is orange: The battery is being charged. • The indicator is not illuminated: The battery is not being charged (the battery is already fully charged or the AC adapter is not connected).
3		<p>Wireless indicator</p> <ul style="list-style-type: none"> • The indicator lights up white: The wireless components are switched on, while the Tablet PC is operating. • The indicator is flashing: The wireless components are switched on while the Tablet PC is in sleep mode, Save-to-Disk mode or switched off. • The indicator is not illuminated: The wireless components are switched off.

Switching the Tablet PC on



- ▶ Press the ON/OFF button (1) for about one second to switch the device on.
- ↳ The power-on indicators (2) light up whenever the system is switched on.

Programming the ON/OFF button

You can program the ON/OFF button:

Operating system	Menu
Windows 7	<i>Start - (Settings) - Control Panel - System and Security - Power Options</i>
Windows 8.1	<i>Windows 8.1 Desktop - Control Panel - Hardware and Sound - Power Options</i>



If you have assigned a password, you must enter this when requested to do so in order to start the operating system. Detailed information can be found in the chapter ["Security functions", Page 66](#).

Switching the Tablet PC off



Back up your data and close all applications before you switch off your device. Otherwise data might be lost.

- ▶ Shut down the operating system correctly.
- ▶ If the Tablet PC does not switch itself off automatically, press the ON/OFF button for approx. five seconds.

Handwriting recognition

For detailed information on handwriting recognition, see the documentation for your operating system.

At present, handwriting recognition under Windows 7 or Window 8.1 supports the following languages:

English, German, French, Italian, Japanese, Korean, Chinese (traditional and simplified), Dutch, Portuguese, Spanish, Brazilian, Norwegian (Bokmål and Nynorsk), Swedish, Finnish, Danish, Polish, Rumanian, Serbian (Cyrillic and Latin script), Catalan, Russian, Czech and Croatian.

Under Windows 8.1 you can set the required language under *Control Panel – Time, Language and Region – Language*.

Touchscreen

High-quality LCD screens (TFT) are installed in Fujitsu Tablet PCs. For technical reasons, these screens are manufactured for a specific resolution. An optimal, clear picture can only be ensured in the resolution intended for the particular screen. A screen resolution which differs from the specification can result in an unclear picture.

The screen resolution of your Tablet PC's touchscreen is optimally set at the factory.

Current production technology cannot guarantee an absolutely fault-free screen display. A few isolated constantly lit or unlit pixels (picture elements) may be present. The maximum permitted number of such faulty pixels is specified in the international standard ISO 9241-307 (Class 2).

Example:

A monitor with a resolution of 1,280 x 800 has $1,280 \times 800 = 1,024,000$ pixels. Each pixel consists of three subpixels (red, green and blue), so there are almost 3 million subpixels in total. According to ISO 9241-307 (class 2), a maximum of 2 light and 2 dark pixels and in addition 5 light or 10 dark subpixels or an equivalent mix (1 light subpixel counts as 2 dark subpixels) are allowed to be defective.

Pixel	A pixel consists of 3 subpixels, normally red, green and blue. A pixel is the smallest element that can be generated by complete functionality of the display.
Subpixel	A subpixel is a separately addressable internal structure within a pixel that enhances the pixel function.
Cluster	A cluster contains two or more defective pixels or subpixels in a 5 x 5 pixel block.

Background lighting

LCD screens are operated with background lighting. The luminosity of the background lighting can decrease over the period of use of the Tablet PC. However, you can adjust the brightness of your monitor yourself.

Ambient light sensor

If your Tablet PC was shipped with the Windows operating system, the screen brightness is regulated by the ambient light sensor and is dependent on the particular light conditions. This results in optimum readability and longer battery life at the same time.

If your Tablet PC was shipped with Windows 8.1, the adaptive brightness setting is deactivated. To change the ambient light sensor settings, select *Control Panel - System and Security - Power Options - Change plan settings - Change advanced power settings - Display - Activate adaptive brightness setting.*

Select *On* to activate the adaptive brightness setting with the help of the ambient light sensor.

Synchronizing the display on the touchscreen and an external monitor

In Windows 7, you can switch between touchscreen and external monitor, if you open *Control Panel - Windows Mobility Center*, section *External Display*.

In Windows 8.1 wipe your finger over the screen from the right-hand edge. The setting *Charms - Devices - Second monitor* opens. Select the desired output type.

You can also use the *Fujitsu Display Manager* in the *Windows Mobility Center* to set the output type.

Select display orientation (portrait or landscape format)

You can choose to use either portrait or landscape format for the display.



Windows 7

You can change these settings in the Fujitsu menu or under *Start - (Settings -) Control Panel - Hardware and Sound - Display - Settings*.



Windows 8.1

You can change these settings under *Windows 8.1 Desktop - Control Panel - Hardware and Sound - Windows Mobility Center / Rotate screen*.



In the *Fujitsu Tablet Controls* settings, profiles are saved for operation with different screen orientations. These profiles have preset standard configurations that can be modified as desired.

These settings do not just affect the monitor settings on the Tablet PC, but also on external monitors that are connected.

Using fingers

You can execute certain commands by using your finger tip on the touchscreen of your device.



Alternatively, everything which you can select or activate using your finger tip can also be selected or activated using the stylus.

Calibrate the Dual Digitizer for finger-based operation of the device.



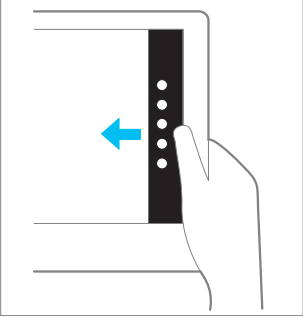
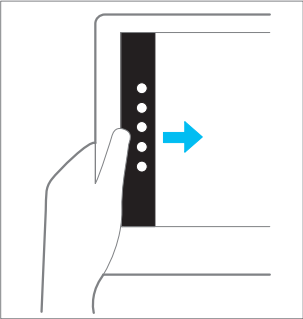
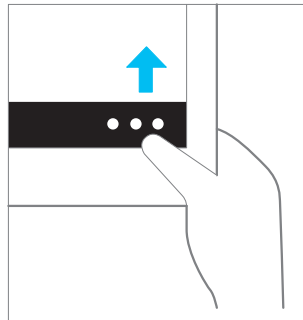
You must calibrate your Tablet PC with your fingers before first use, so that it recognizes your fingertips as accurately as possible.

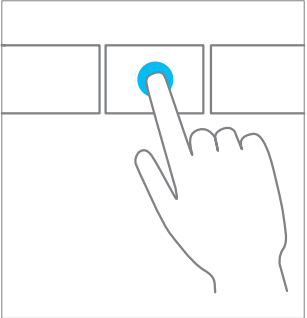
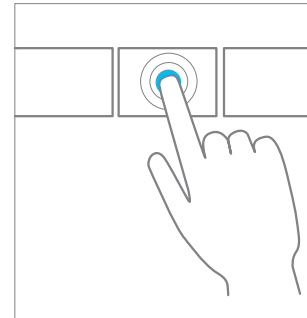
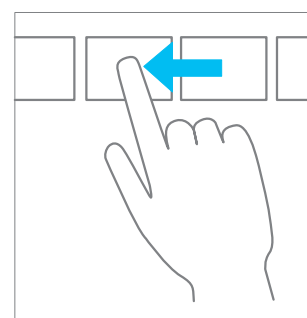
As soon as you notice that the accuracy is becoming worse, you must recalibrate the device.

Please note: There are separate calibration programs available for calibrating the stylus and for calibrating finger-based operation. Do not use the calibration tool for the pen to calibrate finger-based operation.


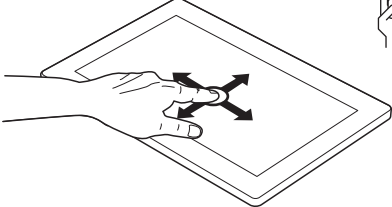
Operating system	Menu
Windows 7 / Windows 8.1 Desktop	To calibrate, run the <i>Hardware and Sound / Tablet PC Settings</i> function in the Control Panel. You need to calibrate both portrait and landscape formats.

Actions with one finger (Windows 8.1 Modern)

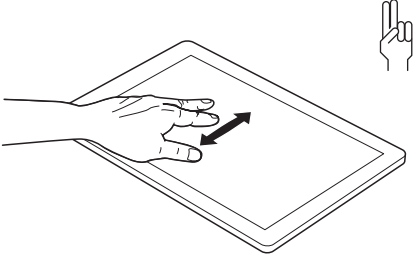

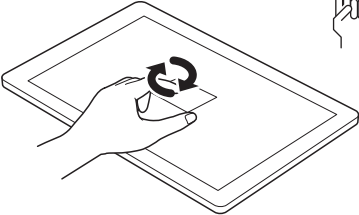


Action	Description
<p>Wipe your finger over the screen from the right-hand edge.</p> 	<ul style="list-style-type: none"> ▶ Open Charms with system commands (equivalent to pressing the Windows key + C key on a keyboard). ▶ Working with the mouse: Position the mouse pointer at the bottom right-hand edge of the screen.
<p>Wipe your finger over the screen from the left-hand edge.</p> 	<ul style="list-style-type: none"> ▶ Switch between the most recently used applications (equivalent to pressing the Windows key + Ctrl + Space on a keyboard). ▶ Working with the mouse: Position the mouse pointer at the bottom left-hand edge of the screen.
<p>Wipe your finger over the screen from the top or bottom edge.</p> 	<ul style="list-style-type: none"> ▶ Open the App commands (equivalent to pressing the Windows key + Z key on a keyboard). Wipe from the top to the bottom of the screen to dock or close the current App. ▶ Working with the mouse: Right-click on the App to display the App commands.

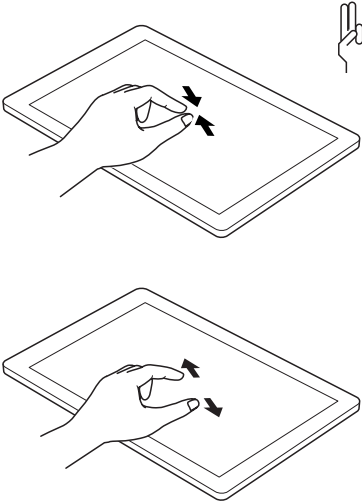
Action	Description
<p data-bbox="79 181 240 213">Press and hold</p>  A diagram showing a hand with the index finger pressing and holding a blue circular button on a tablet screen. The screen has a header bar with three rectangular buttons, and the finger is positioned over the middle one. Below the header bar is a larger rectangular area.	<ul style="list-style-type: none">▶ Keep your finger pressed on an object on the screen to display a menu with further options.▶ Working with the mouse: Move the mouse pointer over the object to display a menu with further options.
<p data-bbox="79 564 255 596">Tap on an object</p>  A diagram showing a hand with the index finger tapping a blue circular button on a tablet screen. The screen layout is identical to the previous diagram, but the finger is shown in a tapping motion, and there are concentric circles around the button to indicate the point of contact.	<ul style="list-style-type: none">▶ Tap your finger on an object on the screen to open an App or a link or to execute a command.▶ Working with the mouse: Left-click on the object.
<p data-bbox="79 963 426 995">Scroll / Move object / Swivel object</p>  A diagram showing a hand with the index finger scrolling through a list on a tablet screen. The screen layout is identical to the previous diagrams, but a blue arrow points to the left, indicating the direction of the scroll. The finger is shown in a sliding motion across the middle button.	<ul style="list-style-type: none">▶ Use this function to scroll through lists or websites or to swivel or move an object.▶ Working with the mouse: Left-click on the object, keep the mouse button pressed and move / swivel the object or scroll.

Actions with one finger (Windows 7 / Windows 8.1 Desktop)

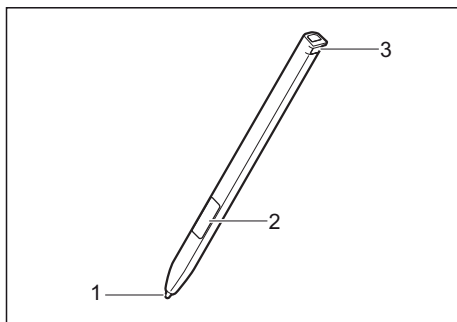
Action	Description
Selecting objects (click with the left mouse button)	<ul style="list-style-type: none"> ▶ Tap once briefly with the finger on the object.
Starting programs (double-click with the left mouse button)	<ul style="list-style-type: none"> ▶ Use one finger to tap twice in quick succession on the program symbol.
Moving objects/windows (while holding the left mouse button pressed, drag & drop)	<div style="text-align: right; margin-bottom: 10px;">  </div>  <ul style="list-style-type: none"> ▶ Place your finger on the object/window, keep your fingertip pressed against the touchscreen and move the desired object/window.
Opening a context menu (click with the right mouse button)	<ul style="list-style-type: none"> ▶ Tap your finger on the desired item. Keep your fingertip pressed against the touchscreen. <p>The context menu appears.</p>
Moving the cursor	<ul style="list-style-type: none"> ▶ Position one finger on the touchscreen and move your finger in the desired direction.

Actions with two fingers (Windows 7 / Windows 8.1 Desktop)

Action	Description
Scrolling	  <ul style="list-style-type: none">▶ Place two fingers on the touchscreen.▶ Move the fingers up to scroll up. or <ul style="list-style-type: none">▶ Move the fingers down to scroll down.
Rotating	   <ul style="list-style-type: none">▶ Position your thumb on the touchscreen and rotate the image clockwise or counter-clockwise using your index finger.

Action	Description
Increase or decrease view	 <ul style="list-style-type: none">▶ Put two fingers on the touch screen and move them apart to increase the size of the view. <p>or</p> <ul style="list-style-type: none">▶ Put two fingers on the touch screen and move them together to decrease the size of the view.
Lock context-sensitive menus	<ul style="list-style-type: none">▶ Use two fingers to tap twice in quick succession on the touchscreen.

Using the stylus



- 1 = stylus tip
- 2 = stylus button (right mouse button)
- 3 = eyelet for optional stylus tether

You can use the stylus on your Tablet PC as an electronic writing tool, to select menu items and to navigate through the programs. Programs that support handwriting recognition also allow you to write directly on the screen with the stylus. You can also use the stylus as a drawing tool.

You can secure the optional stylus tether to the eyelet of the stylus and to the eyelet of the Tablet PC.



Use only the stylus that was provided with your Tablet PC. Do not use any other pointed object as a substitute, that was not specially designed for your Tablet PC. Replace the stylus tip if it is worn. The warranty does not cover a scratched screen.

While writing, take care that you do not scratch the surface of the display (e.g. with a wristwatch or bracelet).



The stylus of the Tablet PC is an electronic instrument that can be damaged if used improperly. Handle the stylus with care.

Our recommendations for proper handling of the stylus are as follows:

- Do not gesture with the stylus.
- Do not use the stylus as a pointer.
- Do not use the stylus on surfaces other than the screen of the Tablet PC.
- Do not try to turn the grip of the stylus. The grip is used to put the stylus into its slot or to take it out of its slot.
- Never store the stylus with its weight on the tip (e.g. with the tip down in a stylus container). If the stylus is stored with the tip pointing down, this may have an adverse effect on the stylus mechanism (particularly in high temperatures). In this case, the stylus tip may react as though it is constantly being pressed down. To avoid damage, the stylus should be stored in the slot when not in use.

The stylus can be influenced by electromagnetic fields (cursor quivers or jumps). There may be a few areas on the screen where the cursor quivers slightly in spite of pressing the stylus down firmly.

The screen responds to entries made with the tip of the finger or the stylus when the tip of the finger or the stylus directly touches the screen.

You can use the stylus to perform almost all functions for which you would otherwise use a mouse.

Delete functions are not supported by the stylus.

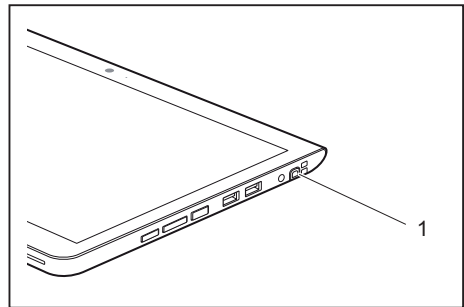
Action	Mouse	Stylus
Selecting menu items	Click with the left mouse button.	Tap on the menu entry with the tip of the stylus.
Starting programs	Double-click with the left mouse button.	Tap on the program symbol twice in rapid succession using the stylus tip.
Moving an object or window	Drag with the left mouse button pressed.	Place the stylus tip directly on the object or window. Keep the stylus held against the screen. Drag the desired object or window.
Opening a context menu	Click with the right mouse button.	Tap on the desired element with the stylus and keep the stylus pressed against the screen.
Moving the cursor	Move the mouse	Place the tip of the stylus directly on the screen.

Stylus location



To prevent the stylus from jamming in its slot, always make sure that you insert the stylus correctly into its slot (flat part of the stylus points towards the bottom of the Tablet PC).

On delivery, the stylus is located in the stylus slot (1):



Adjusting the stylus

Operating system	Menu
Windows 7	Under <i>Hardware and Sound - Pen and Input Devices</i> , you can make various settings for the stylus in the control panel (assignment and function of the stylus button).
Windows 8.1	Under <i>Windows 8.1 Desktop - Control Panel - Hardware and Sound - Pen and Input Devices</i> you can make various settings for the stylus (assignment and function of the stylus button).

Calibrating the stylus

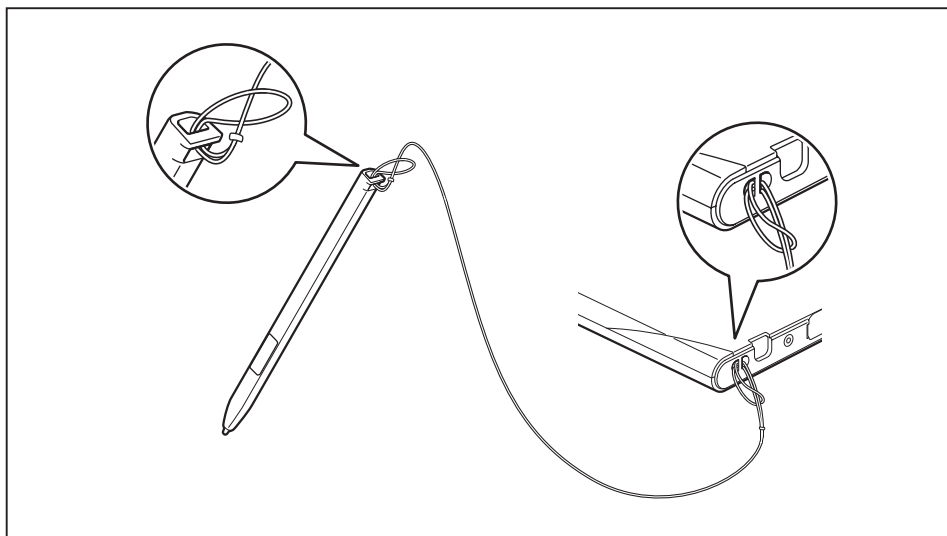
You must calibrate your Tablet PC with the stylus before first use, so that it recognizes the stylus as accurately as possible.

You should also always repeat the calibration if the coordination between the stylus and the cursor movement deteriorates.

Operating system	Menu
Windows 7 / Windows 8.1 Desktop	To calibrate, run the <i>Hardware and Sound / Tablet PC Settings</i> function in the Control Panel. You need to calibrate both portrait and landscape formats.

Securing the stylus tether (optional)

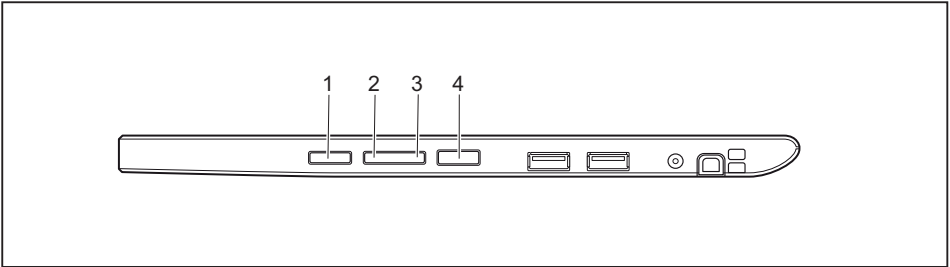
To prevent accidentally dropping or losing the stylus, you should secure it with the optional stylus tether.



- ▶ Secure one end of the stylus tether to the stylus and the other end to the Tablet PC.

Tablet buttons

In addition to an on/off switch (4), your Tablet PC is fitted with three tablet buttons.



No.	Description	Functions
1	Shortcut button	Start function manager or screen shot function
2	Decrease volume button	Decrease volume
3	Increase volume button	Increase volume



If the Windows key of the Tablet PC is pressed in combination with the ON/OFF switch (4), the function corresponds with the key combination **Ctrl** + **Alt** + **Del** on a keyboard.

Webcam



Your device has two webcams: one on the front of the device and one on the rear.

The webcam has its own status indicator. The indicator lights up when the webcam is active.

Depending on the software used, you can use your webcam to take pictures, record video clips or take part in web chats.

- The picture quality depends on the lighting conditions and the software being used.
- You can only operate the webcam with a particular application (e.g. an Internet telephony program or a video conferencing program which supports a webcam).
- When using the webcam the support of the Tablet PC must not wobble.
- The webcam automatically adjusts itself to the current light level. For this reason, the touchscreen may flicker while the light level is adjusted.



Further information on use of the webcam and additional settings for your webcam can be found in the help function of the program using the webcam.

Rechargeable battery

The built-in battery provides the Tablet PC with the necessary power for use on the move. You can increase the service life of the battery by caring for the battery properly. The average battery service life is around 500 charge/discharge cycles.

You can extend the battery service life by taking advantage of the available energy-saving functions.

Charging and maintaining the battery

The Tablet PC battery can only be charged when the ambient temperature is between 5°C / 41 °F and max. 35°C / 95°F.

You can charge the battery by connecting the Tablet PC to the AC adapter (see "[Connecting the AC adapter](#)", [Page 20](#)).

If the battery is running low you will hear a warning alarm. If you do not connect the AC adapter within five minutes of hearing the warning alarm, your Tablet PC will switch off automatically.

Monitoring the battery state of charge

A battery symbol for monitoring the battery capacity is displayed in the system bar / status indicator. The battery symbol shows you the battery charge.

Using the energy saving functions

The Tablet PC uses less power when the energy saving features are enabled. You will then be able to work longer when using the battery before having to recharge it.



The energy efficiency is increased and environmental pollution is reduced. By choosing the best power options, you can make significant savings and at the same time help protect the environment.

We recommend the following settings:


Function	Operating on AC power	Operating on battery power
Turn off monitor	After 10 minutes	After 5 minutes
Turn off hard disk(s)	After 15 minutes	After 10 minutes
Energy saving (S3)	After 20 minutes	After 15 minutes
Hibernate mode (S4)	After 1 hour	After 30 minutes

- ▶ Set the energy saving functions in your Control Panel.
- ▶ Set the screen saver in your Control Panel.

or

- ▶ Keep a finger pressed on the desktop to display the context menu. Configure the screen saver under *Change screen saver*.



If you need further information about an option, you can get help with most settings by pressing the  symbol in the upper right of the screen to open the Microsoft Help.

When the Tablet PC is in a power-saving mode, you must remember the following:



During power-saving mode, open data is held in main memory or in a swap file on the hard disk.

Never switch off the Tablet PC while it is in a power-saving mode. If the built-in battery is nearly flat, close all open files and do not go into power-saving mode.

If you do not intend to use your Tablet PC for a long period of time:

- ▶ Exit the power-saving mode if necessary by touching the screen or by switching the Tablet PC on.
- ▶ Close all opened programs and completely shut down the Tablet PC.

Memory cards

Your Tablet PC is equipped with an integrated storage card reader. Use storage cards to enlarge the storage of your Tablet PC.



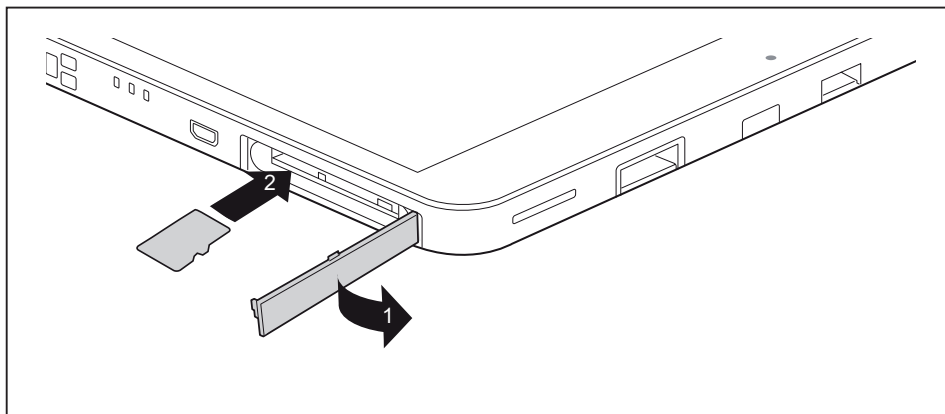
Follow the manufacturer's instructions when handling the memory cards.

Supported formats

The following formats are supported:

- Micro Secure Digital (Micro SD™ Card)
- Micro SDHC
- Micro SDXC

Inserting the memory card



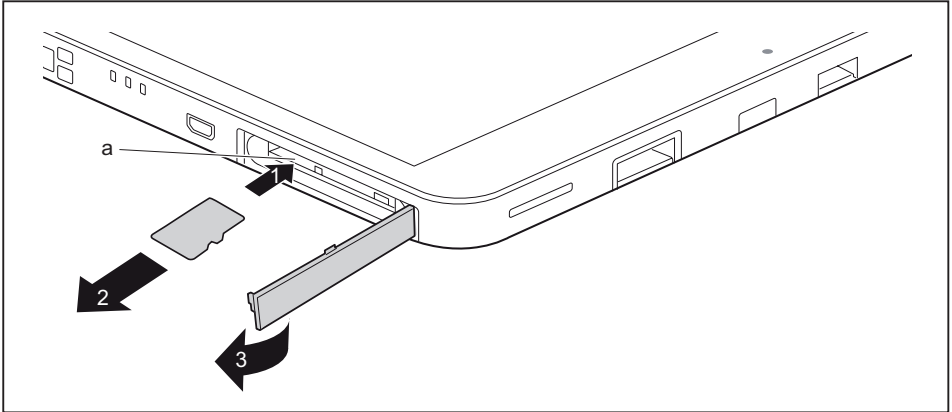
- ▶ Open the slot cover (1).
- ▶ Carefully slide the storage card into the slot (2). The label area must be facing upward. Do not apply any force, otherwise the delicate contact surfaces could be damaged.
- ▶ Close the slot cover.

Removing the memory card



To avoid any loss of data, always follow the correct procedure for removing the card (see the documentation for your operating system).

- ▶ Open the slot cover.



- ▶ Press the edge of the memory card so that the memory card jumps (1) slightly out of the slot (a).
- ▶ Pull the memory card out of the slot (a) in the direction of the arrow (2).
- ▶ Close the slot cover (3).

SIM card

A SIM Card (Subscriber Identity Module) is a chip card which is inserted in a cellular phone or Tablet PC and, together with an integrated 4G module, enables access to a cellular radio network.



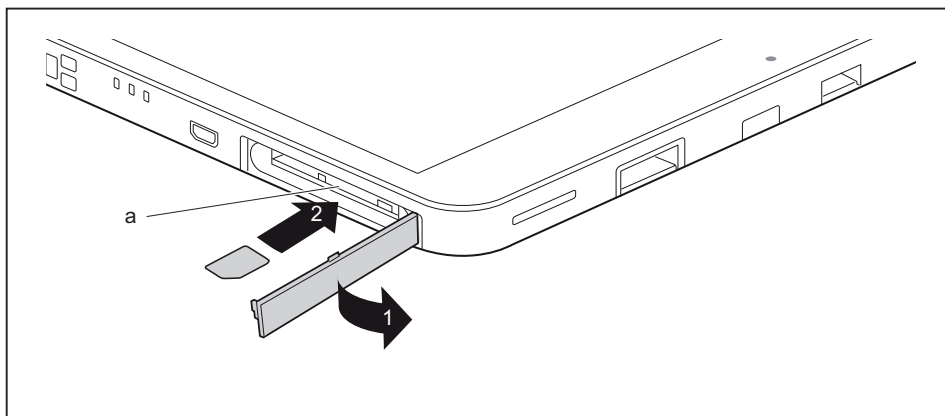
Follow the instructions supplied by the provider of the SIM card. If you do not feel the the SIM card engage as you insert it, use a pointed object to insert the SIM card.



Please note that the SIM card format must be micro-SIM (3FF). Other SIM card formats, such as full-size (1FF), mini-SIM (2FF) or nano-SIM (4FF) do not fit in the SIM card slot of your Tablet PC.

Please do not insert any other format of SIM card as they may become twisted, they could even damage the system.

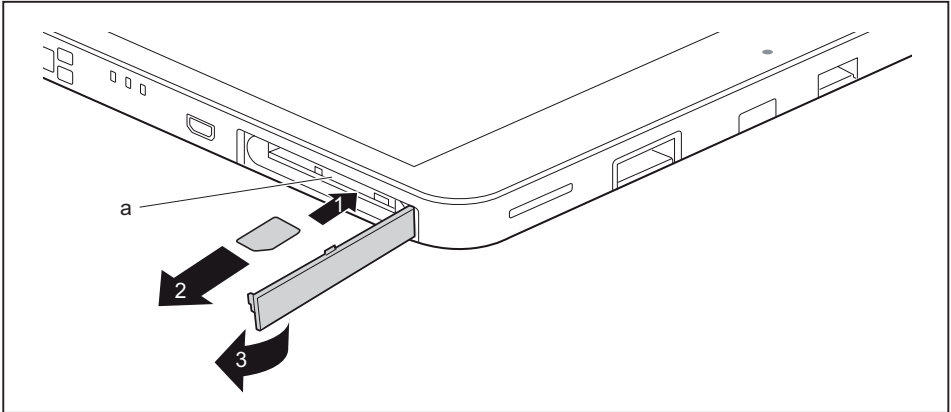
Inserting a SIM card



- ▶ Open the slot cover (1).
- ▶ Carefully push the SIM card into the slot (a) in the direction of the arrow (2) until you feel the SIM card engage. The label area must be facing upward. Do not apply any force, otherwise the delicate contact surfaces could be damaged.
- ▶ Close the slot cover.

Removing a SIM card

- ▶ Open the slot cover.



- ▶ Press the edge of the SIM card so that the SIM card jumps slightly out of the slot (1).
- ▶ Pull the SIM card out of the slot (a) in the direction of the arrow (2).
- ▶ Close the slot cover (3).

Wireless LAN/Bluetooth/4G/LTE/NFC wireless components



The installation of wireless components not approved by Fujitsu will invalidate the certifications issued for this device.

Switching the wireless components on and off

The wireless components are switched on and off using the appropriate functions of the operating system.

- ▶ To switch wireless components on and off individually, select *Settings – Change PC settings – Network – Airplane mode*.

Configuring WLAN access

- Requirement: A WLAN is available and you have the necessary access data to hand.



Information on configuring WLAN access can be found in the documentation for your operating system.

Further information on WLAN and Bluetooth

For further information about WLAN or Bluetooth, please refer to the appendix of this Operating Manual.

For WLAN specifications, see chapter ["WLAN specifications", Page 94](#).

Access via UMTS

If you ordered an integrated UMTS module with your system, you can enjoy optimum reception and maximum energy efficiency without awkward cables or antennas. The optional UMTS module is ready for use immediately.

You will find information on establishing the connection with the UMTS network in the documentation for the hardware used.

Your device can connect to the Internet via UMTS. To do this, use one of the following types of connection:

- Integrated UMTS module (availability dependent on your configuration)
- USB dongle (a USB stick containing a SIM card from your cellular phone network provider)
- A mobile end-device (e.g. cellular phone with Bluetooth or cable connection)

Access via Wireless WAN



You can purchase the accessories for Wireless WAN reception from your Fujitsu dealer.

If you have ordered a Wireless WAN module, your device will already be prepared when you receive it.

You will find information on establishing the connection with the Wireless WAN network in the documentation for the hardware you plan to use.

Access via 4G

You can order the accessories for 4G reception from your Fujitsu dealer.

If you have ordered an integrated 4G module with your system, the 4G module is ready for use straight away.

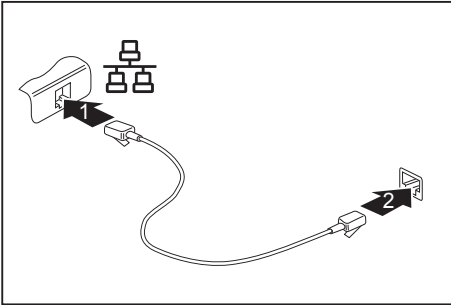
You can find information on establishing the connection with the 4G network in the documentation for the hardware used.

NFC (Near Field Communication, optional)

Your Tablet PC can be equipped with an optional built-in NFC chip. Near Field Communication is used for contactless exchange of data via radio over short distances (a few centimeters).

Ethernet and LAN (only with performance docking cradle, keyboard docking station or power keyboard docking station)

The internal network module of your Tablet PC supports Ethernet LAN. You can use it to establish a connection to a local network (LAN = Local Area Network).



- ▶ Connect the network cable to the LAN port of the performance docking cradle (1).

or

- ▶ Connect the network cable to the LAN port of the keyboard docking station or power keyboard docking station (1).
- ▶ Connect the network cable to your network connection (2).

i

Your network administrator can help you to configure and use the LAN connections.

The network cable is not included in the delivery scope. This type of cable can be obtained from a specialist dealer.

GPS

i

Whether your device has this function depends on the chosen equipment level.

Accessories for your Tablet PC (optional)

The following accessories are available for your Tablet PC:

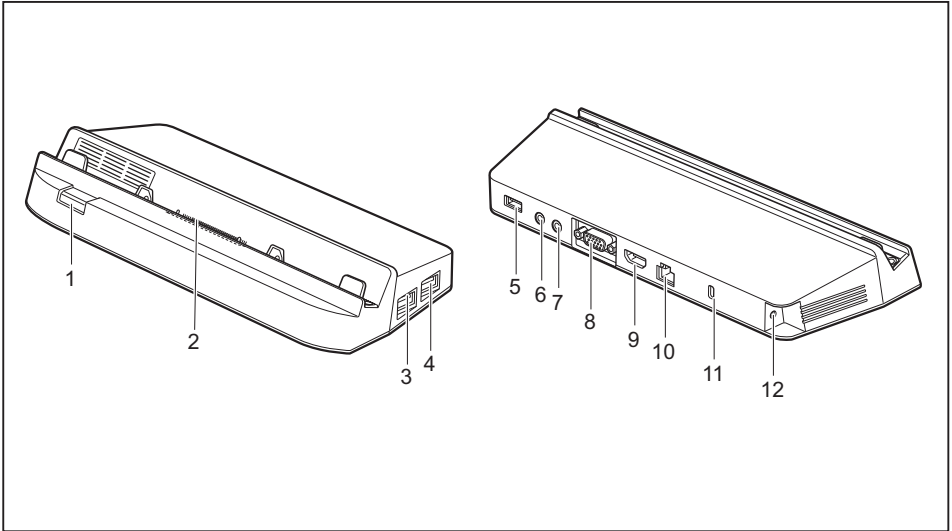
- Performance docking cradle for charging the Tablet PC and with additional ports
- Keyboard docking station with additional ports (without replaceable battery)
- Power keyboard docking station with additional ports (with replaceable battery)
- Intermediary VESA Mount Plate
- Hand strap
- Shoulder strap
- Folio case

The following sections provide more information on handling the accessories.

Your performance docking cradle (optional)

As well as fast charging, your performance docking cradle is a device that also allows you to quickly connect your Tablet PC to your peripherals such as a monitor, keyboard, mouse, etc. You only need to dock the Tablet PC to be able to work with your peripheral devices.

Performance docking cradle components



- | | |
|---|-----------------------------|
| 1 = Slide-out button | 7 = Headphones port |
| 2 = Connector on the performance docking cradle for the docking port of the Tablet PC | 8 = VGA monitor port |
| 3 = USB port 3.0 | 9 = HDMI port |
| 4 = USB port 3.0 | 10 = LAN port |
| 5 = USB port 3.0 | 11 = Security Lock device |
| 6 = Microphone port | 12 = DC jack socket (DC IN) |

Setting up the performance docking cradle



Select a suitable location for the performance docking cradle before setting it up. In doing so, please follow these instructions:

- Place the performance docking cradle on a flat, stable, non-slippery surface.
- Never place the performance docking cradle or the AC adapter on a heat-sensitive surface.
- Do not expose the performance docking cradle to extreme environmental conditions.
- Protect the performance docking cradle from dust, moisture and heat.

Connecting the Tablet PC to the performance docking cradle



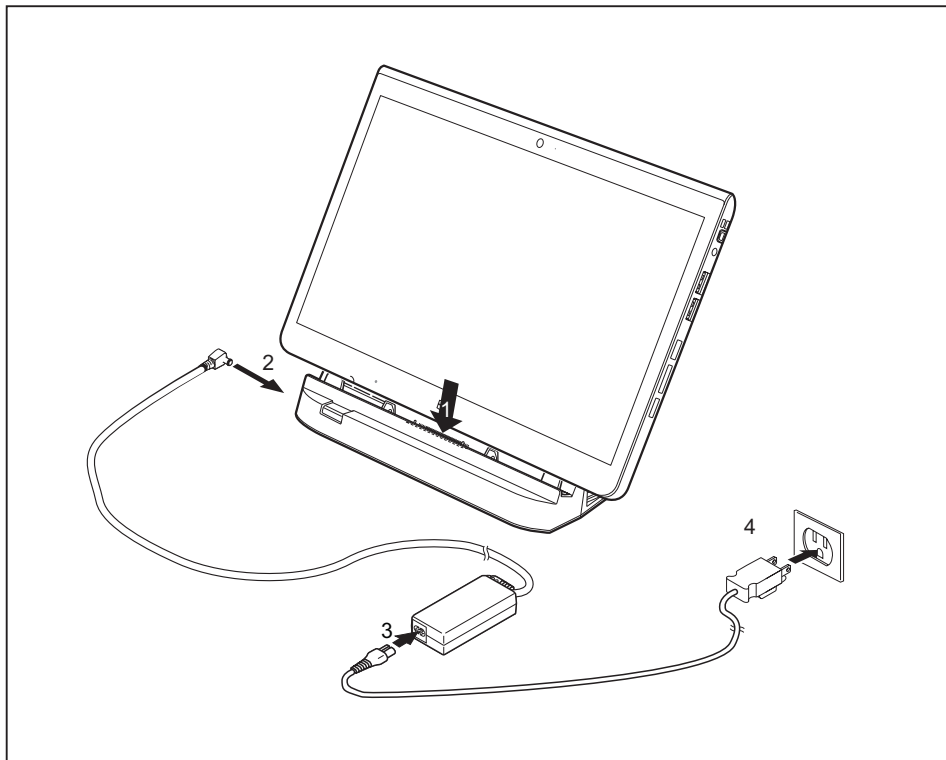
It is possible to connect the Tablet PC to the performance docking cradle while it is running.

Disconnect the AC adapter from the Tablet PC before connecting the Tablet PC to the performance docking cradle.



When the Tablet PC is connected to the performance docking cradle, you must connect the AC adapter to the performance docking cradle.

- ▶ Remove the AC plug of the AC adapter from the power outlet.
- ▶ Remove the AC adapter cable from the DC jack (DC IN) of the Tablet PC.



Your performance docking cradle is supplied with a separate AC adapter (19 V, 3.42 A). Make sure that you only use this AC adapter for the performance docking cradle.

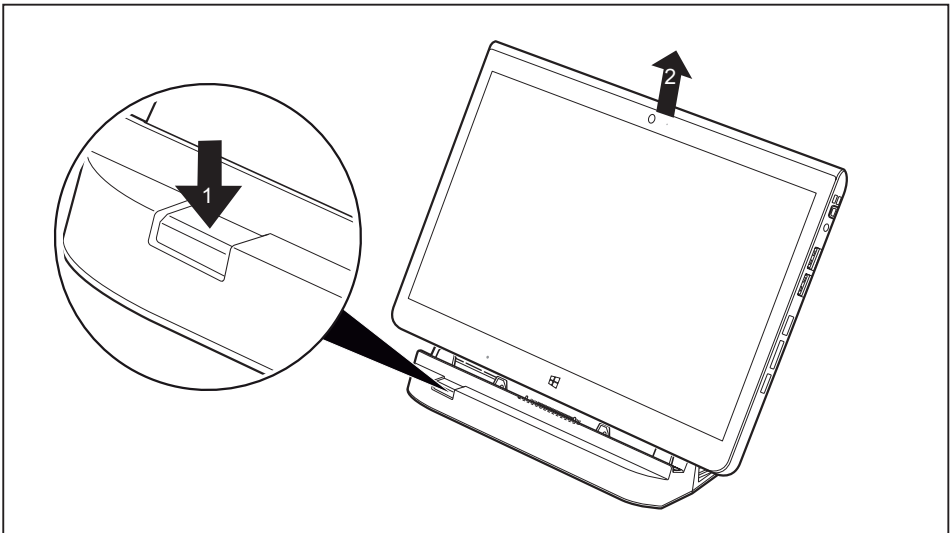
- ▶ Position the Tablet PC so that it lies against the storage surface of the performance docking cradle.

- ▶ Push the Tablet PC onto the performance docking cradle in the direction of the arrow (1) until you feel it engage on the connector and until the slide-out position returns to its original position.
- ▶ Plug the AC adapter cable into the DC jack (DC IN) on the performance docking cradle (2).
- ▶ Connect the AC cable to the AC adapter (3).
- ▶ Plug the AC cable into the power outlet (4).

Disconnecting the Tablet PC from the performance docking cradle



It is possible to separate the Tablet PC from the performance docking cradle while it is running.



- ▶ Press the slide-out button in the direction of the arrow (1) until it firmly remains in pressed position (red marking visible).
- ▶ While holding down the lower part of the performance docking cradle, lift the Tablet PC off the performance docking cradle in the direction of the arrow (2).

Keyboard docking station or power keyboard docking station (optional)

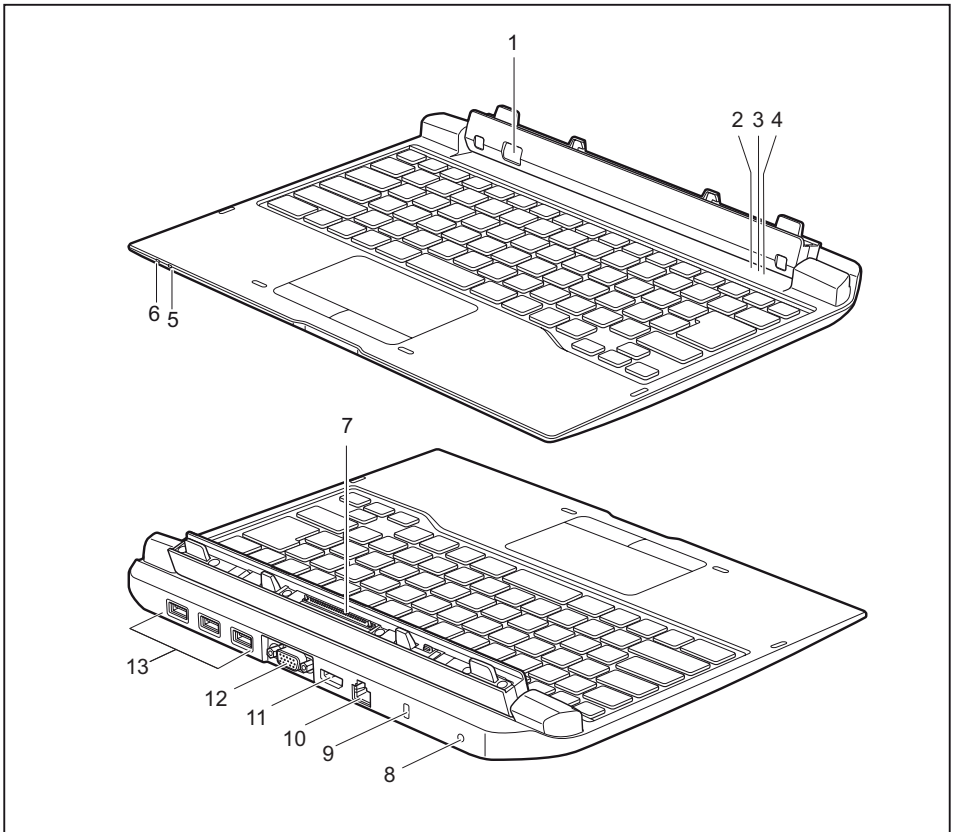


The keyboard docking station is available in two options:

- normal keyboard docking station without replaceable battery
- power keyboard docking station with replaceable battery

The (power) keyboard docking station is a device which has been optimized for convenient input of texts and allows external devices to be connected. It only needs to be docked with the Tablet PC.

Ports on the keyboard docking station or power keyboard docking station



- | | |
|--|------------------------------------|
| 1 = Release button | 7 = Docking port for the Tablet PC |
| 2 = Num Lock indicator (switch virtual keypad on and off) | 8 = DC jack (DC IN) |
| 3 = Caps Lock indicator (switch upper case writing function on and off) | 9 = Security Lock device |
| 4 = Scroll indicator (Scroll Lock, function depends on application program) | 10 = LAN port |
| 5 = Battery indicator of the battery in the power keyboard docking station (optional) | 11 = HDMI port |
| 6 = Battery charging indicator of the battery in the power keyboard docking station (optional) | 12 = VGA monitor port |
| | 13 = USB ports (3 x USB 3.0) |

Status indicators for the power keyboard docking station with additional replaceable battery



This section does not apply to the normal keyboard docking station without replaceable battery!

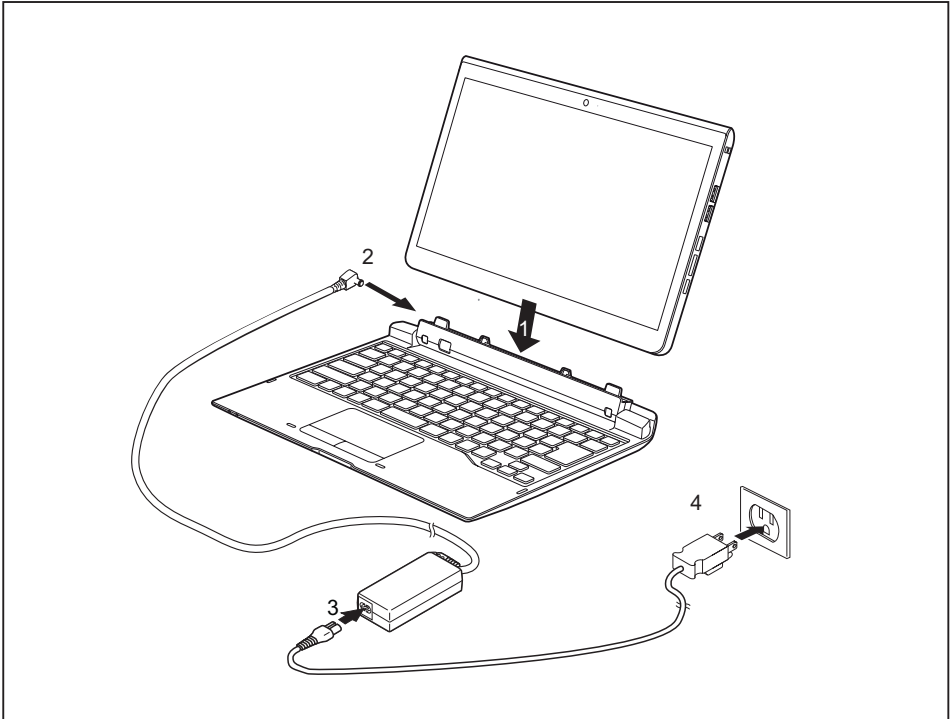
Status indicator	Description
Battery indicator	The battery indicator shows the state of charge of the battery. <ul style="list-style-type: none">• The indicator lights up white: The battery is between 50% and 100% charged.• The indicator lights up orange: The battery is between 13 % and 49 % charged.• The indicator lights up red: The battery is charged between 0 % and 12 %.
Battery charging indicator	The battery charging indicator shows whether the battery is being charged. <ul style="list-style-type: none">• The indicator lights up orange: The AC adapter has been connected; the battery is charging.• The indicator lights up white: The AC adapter is connected and the battery is fully charged / is not being charged.• The indicator is not lit up: The AC adapter is not connected.

Connecting the Tablet PC to the keyboard docking station or power keyboard docking station



If the Tablet PC is connected to the keyboard docking station or power keyboard docking station, you can connect the AC adapter either to the keyboard docking station or to the Tablet PC.

- ▶ Position the keyboard docking station as shown.

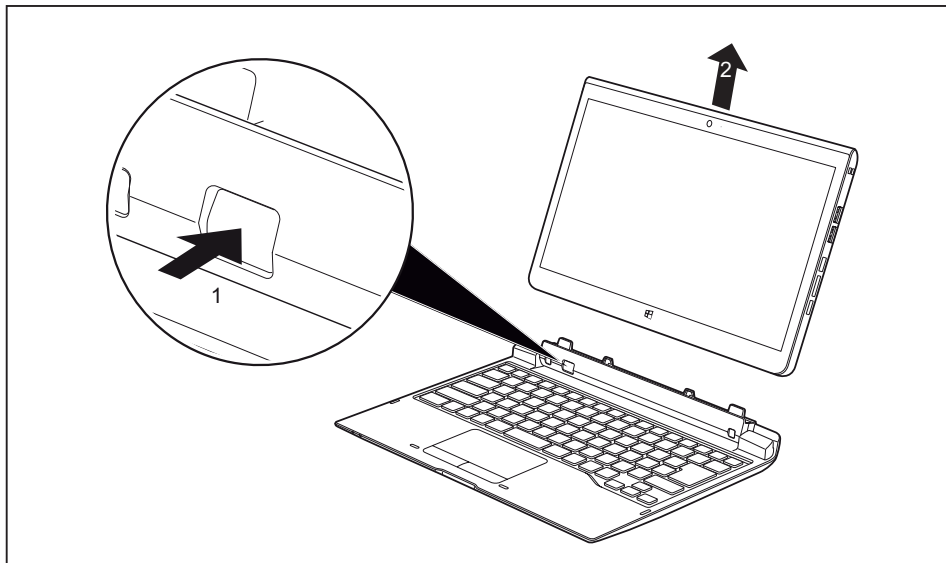


- ▶ Push the Tablet PC onto the keyboard docking station in the direction of the arrow (1) until you notice it engage with the plug.
- ▶ Connect the AC adapter cable to the DC input connector (DC IN) of the keyboard docking station (2).
- ▶ Connect the AC cable to the AC adapter (3).
- ▶ Plug the AC cable into the power outlet (4).

Separating the Tablet PC from the keyboard docking station or power keyboard docking station



It is possible to separate the Tablet PC from the keyboard docking station or power keyboard docking station while it is running. However, to prevent any problems, we recommend that you execute the appropriate undocking function provided by the operating system.



- ▶ Keep the unlocking button pressed (1) until it remains in the pressed position (red marking becomes visible).
- ▶ Lift the Tablet PC away from the keyboard docking station in the direction of the arrow (2).

Removable rechargeable battery for the power keyboard docking station (optional)



This section does not apply to the normal keyboard docking station without replaceable battery!

Removing and installing the battery



Only use rechargeable batteries approved by Fujitsu for your Tablet PC.

Never use force when fitting or removing a battery.

Make sure that no foreign bodies get into the battery connections.

Never store a battery for long periods in the discharged state. This can make it impossible to recharge.

Removing the rechargeable battery



Please observe the safety information in chapter ["Important notes", Page 14](#).

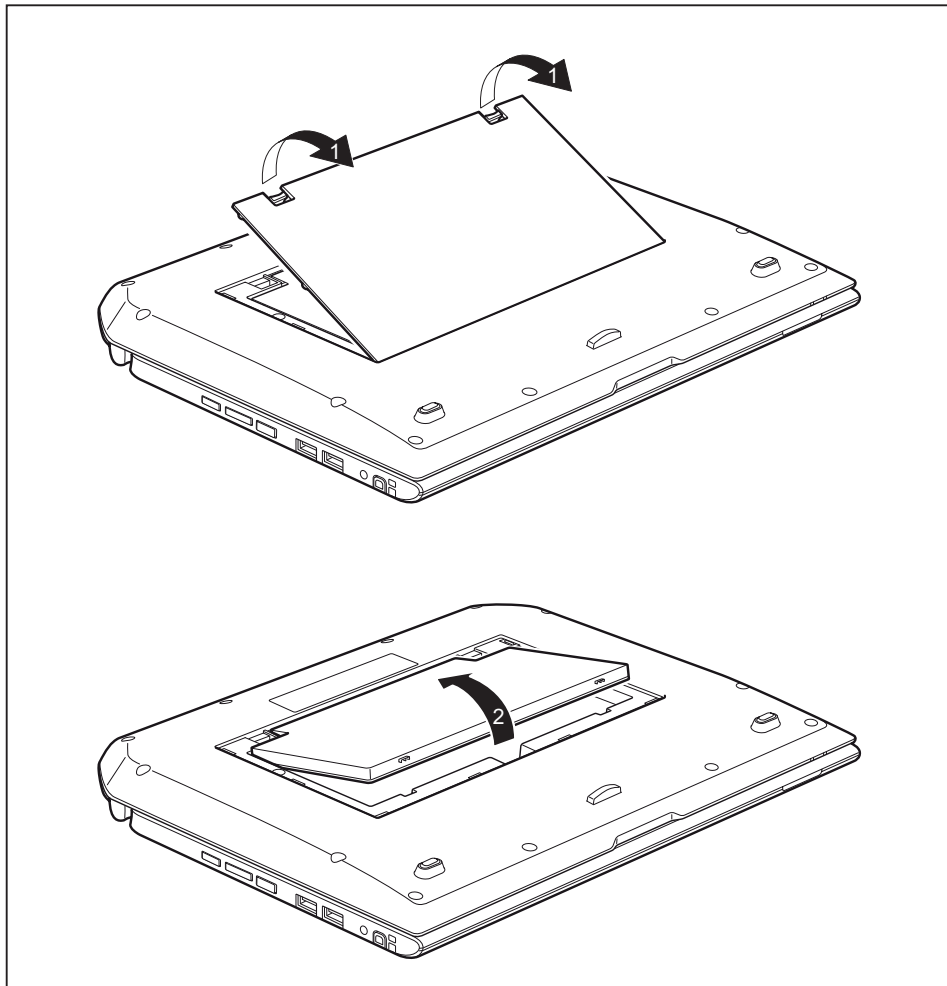
Remove the AC plug from the power outlet!

- ▶ Switch the Tablet PC off.



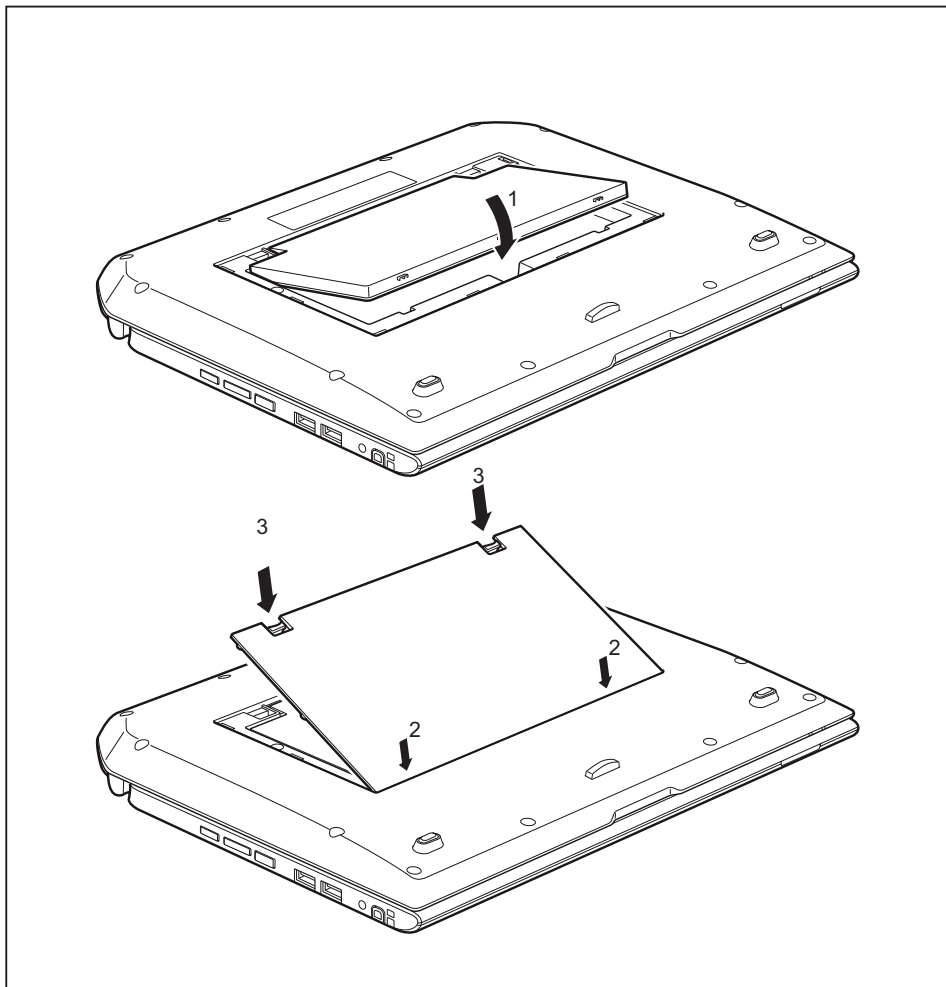
The device must not be in energy saving mode.

- ▶ Disconnect all cables from the keyboard docking station.
- ▶ Turn the keyboard docking station over and place it on a stable, flat and clean surface. If necessary, lay an anti-slip cloth on this surface to prevent the keyboard docking station from being scratched.



- ▶ Disconnect the catches of the battery compartment cover and open the battery compartment cover (1).
- ▶ Lift the battery at the deep point in the middle of the battery compartment and take the battery out of the battery compartment (2).

Installing a rechargeable battery



- ▶ Position the rechargeable battery on the edge of the battery compartment and insert the rechargeable battery into the battery compartment (1).
- ▶ Insert the catches of the battery compartment cover in the openings on the device (2).
- ▶ Close the battery compartment cover (3).

Intermediary VESA Mount Plate (optional)

On models with screw holes, Smart Card reader option or palm vein sensor option, an optional Intermediary VESA Mount Plate can be attached.

Use the Intermediary VESA Mount Plate to secure the Tablet PC to a monitor with the corresponding screw holes, for example.

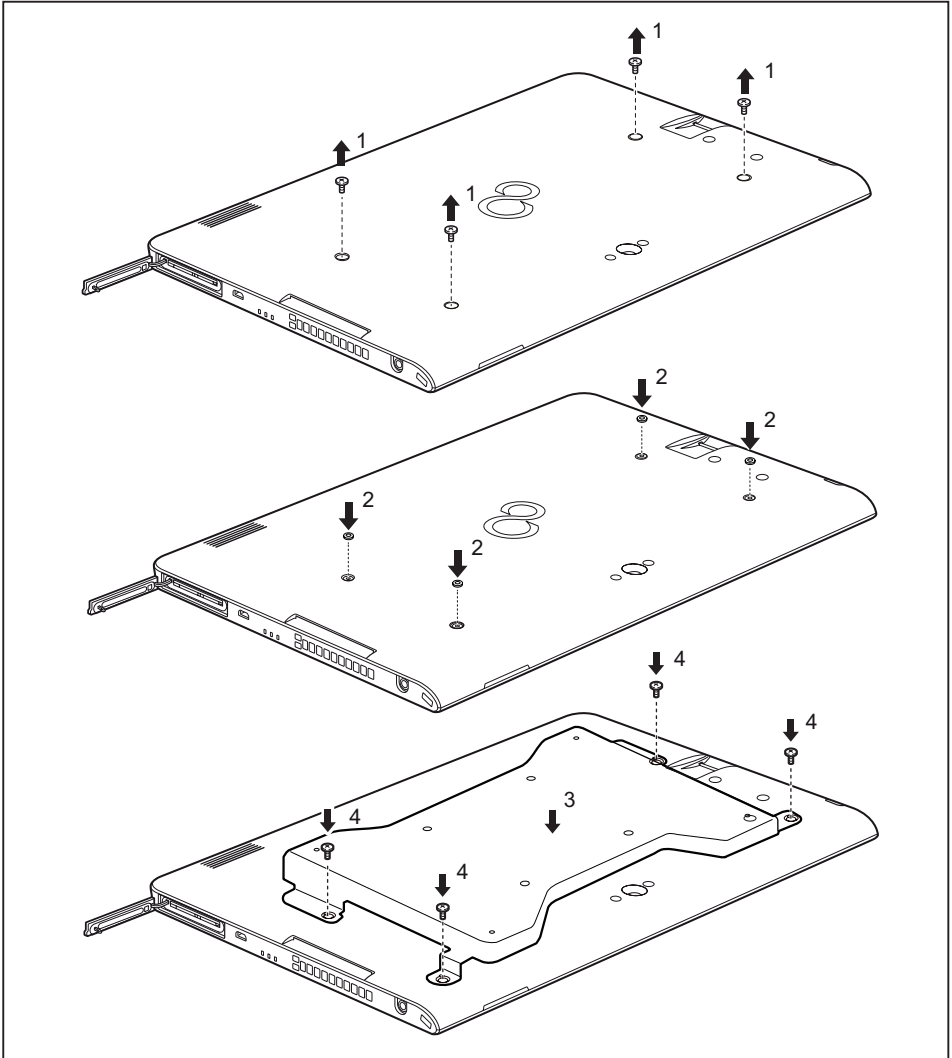


The Intermediary VESA Mount Plate cannot be used in conjunction with the hand strap or shoulder strap.

The Intermediary VESA Mount Plate Kit includes the following components: Intermediary VESA Mount Plate, two M2x8 screws and two spacers.



- Use the appropriate tool of the correct size when securing the screws.
- Keep the screws out of the reach of children.



- ▶ Remove the covers from the screw holes on the rear of the tablet PC (1).
- ▶ Position the spacers between the tablet PC and the Intermediary VESA Mount Plate (2).

- ▶ Position the Intermediary VESA Mount Plate on the tablet PC (3). Make sure that the screw holes of the Intermediary VESA Mount Plate and of the tablet PC line up exactly above one another.
- ▶ Secure the Intermediary VESA Mount Plate with the screws (4).

Hand strap (optional)

On models with screw holes, Smart Card reader option or palm vein sensor option, an optional hand strap can be attached.

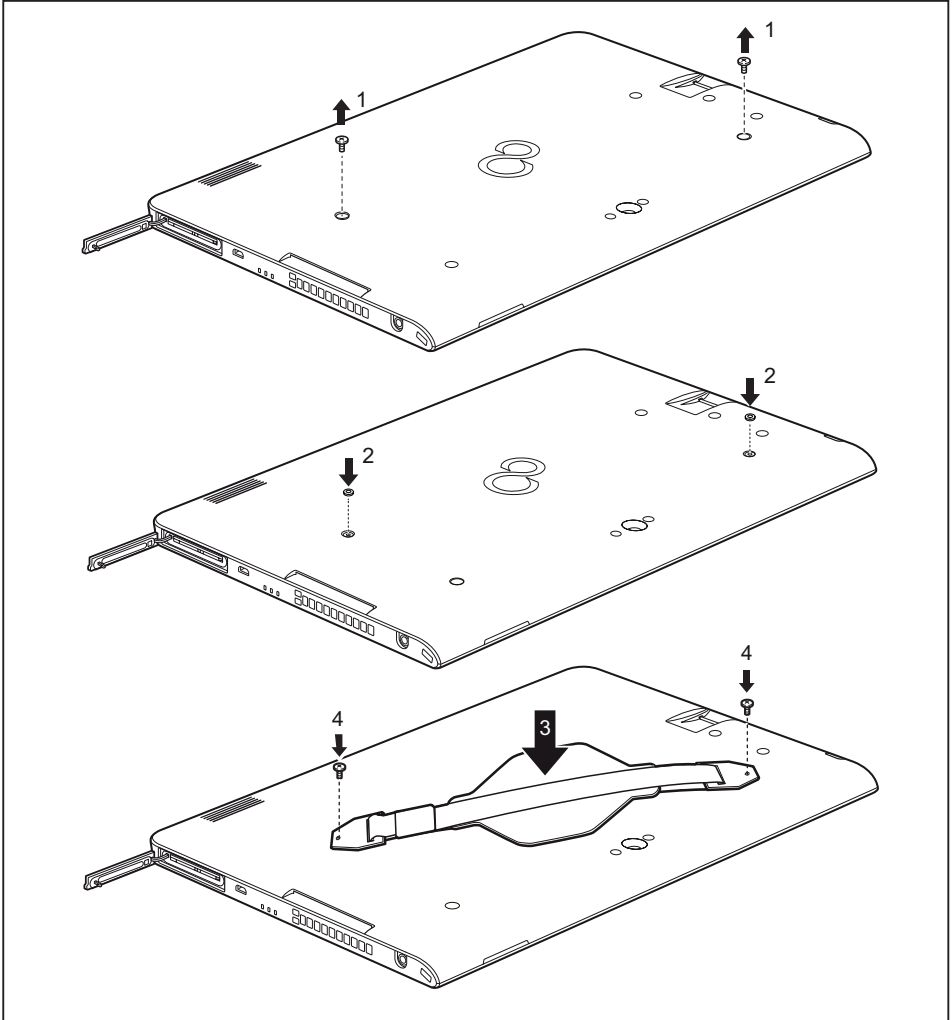


The hand strap cannot be used in conjunction with the Intermediary VESA Mount Plate or shoulder strap.

The hand strap accessory contains the following components: Hand straps, two M2x6 screws, two M2x8 screws and two spacers.



- Use the appropriate tool of the correct size when securing the screws.
- Keep the screws out of the reach of children.
- Do not shake the device too much when you are holding it on the hand strap, otherwise it may fall down.



- ▶ Remove the covers from the screw holes on the rear of the tablet PC (1).
- ▶ Position the spacers between the tablet PC and the hand strap (2).
- ▶ Put the hand strap in position on the tablet PC (3). Make sure that the screw holes of the hand strap and the tablet PC line up exactly above one another.



Only use the M2x8 screws to secure the hand strap.

- ▶ Secure the hand strap with the screws (4).

Shoulder strap (optional)

On models with screw holes, Smart Card reader option or palm vein sensor option, an optional shoulder strap can be attached.

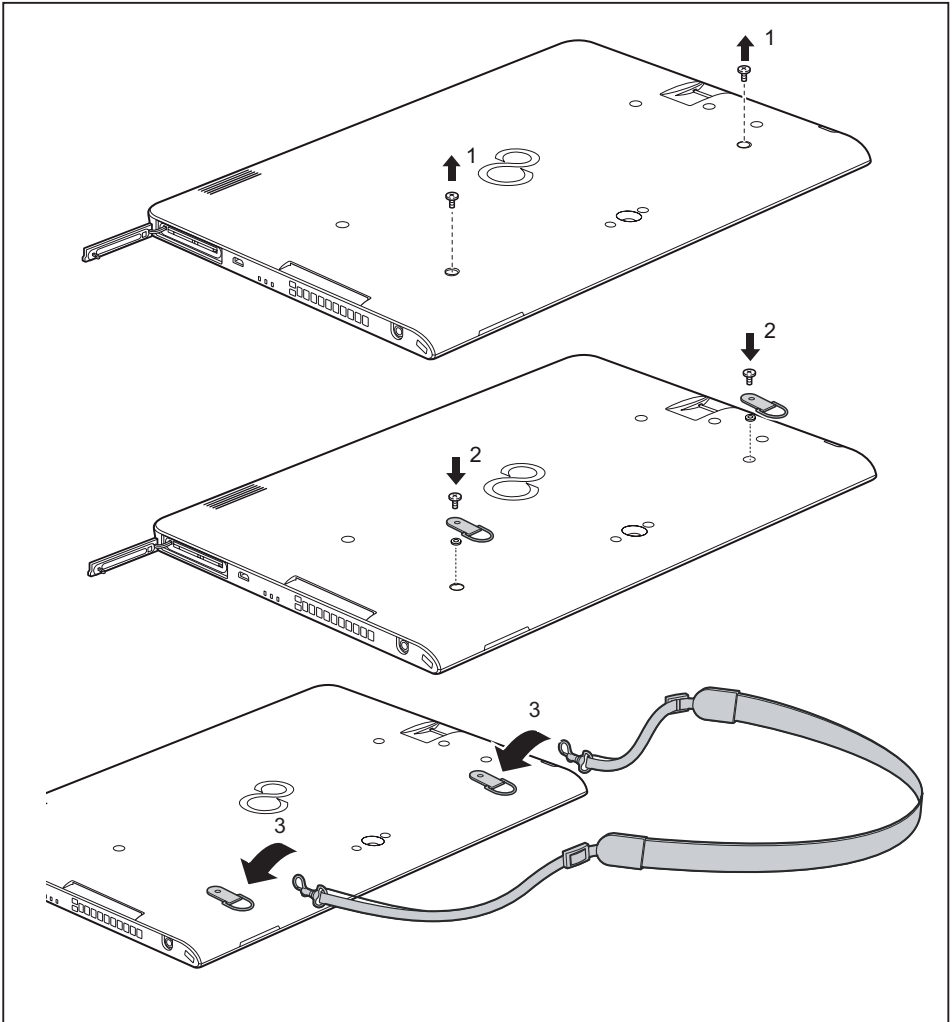


The shoulder strap cannot be used in conjunction with the Intermediary VESA Mount Plate or hand strap.

The shoulder strap accessory contains the following components: Shoulder strap, two mountings, two M2x6 screws, two M2x8 screws and two spacers.



- Use the appropriate tool of the correct size when securing the screws.
- Keep the screws and mountings out of the reach of children.
- To prevent damaging the screws, do not use a motorized screwdriver.



- ▶ Remove the covers from the screw holes on the rear of the tablet PC (1).



Only use the M2x8 screws to secure the mountings.

- ▶ Position spacers under the mountings, position the mountings on the rear of the tablet PC and secure the mountings with the screws (2).
- ▶ Secure the shoulder strap on the mountings (3).

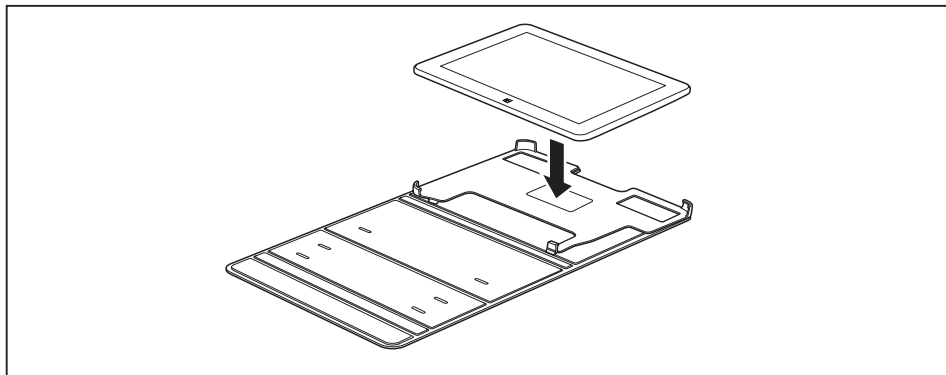
Folio case (optional)



If you are using the folio case, we do not recommend that you connect the Tablet PC to the keyboard docking station or power keyboard docking station. Note that the unit cannot be closed in clamshell mode while the Tablet PC is attached to the folio case.

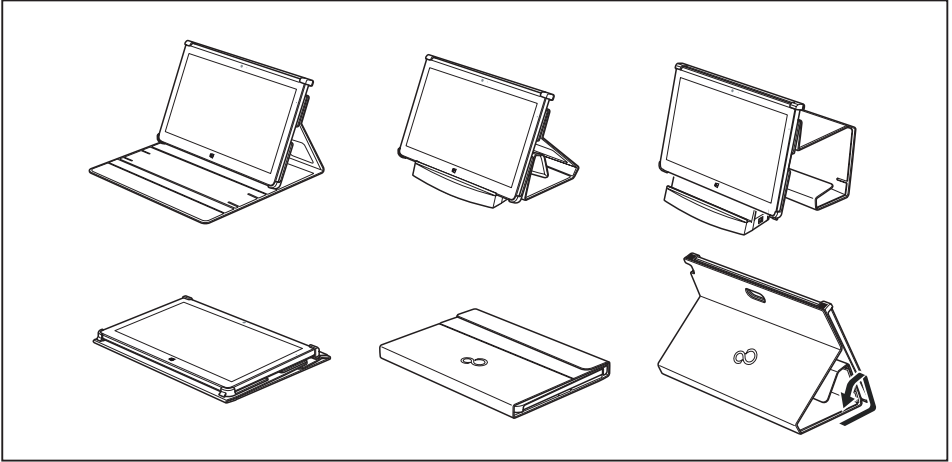


- This folio case contains magnets. Keep it away from objects that may be easily affected by the influence of magnetism, e.g. pacemakers and magnetic cards.
- Make sure the device is firmly fitted into the folio case fasteners in order to prevent it from falling out.
- The folio case is only designed to safely store and transport the device. Do not use the folio case for any other purpose.
- Keep the folio case away from fire or heaters.
- Neither put the folio case in direct sunlight nor expose it to high temperature or humidity.



- ▶ Position the Tablet PC on the cover as shown.

The following illustration shows you the many ways in which the cover can be used:



Security functions

Your Tablet PC has several security features that you can use to secure your system and your personal data from unauthorized access.

This chapter explains how to use these functions, and what the benefits are.



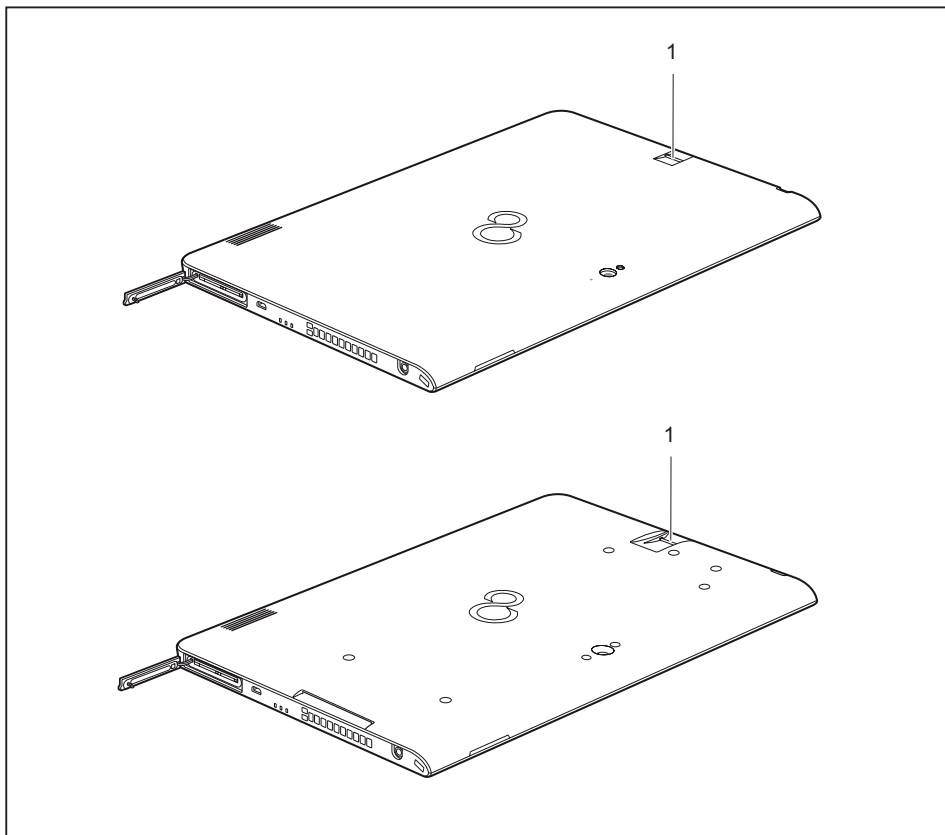
Please remember that in some cases, for example, forgetting your password, you may be locked out of the system and unable to access your data. Therefore, please note the following information:

- Back up your data on external data carriers at regular intervals.
- Some security functions need you to choose passwords. Make a note of the passwords and keep them in a safe place.

If you forget your passwords you will need to contact our Service Desk. Deletion or resetting of passwords are not covered by your warranty and a charge will be made for assistance.

Configuring the fingerprint sensor

The fingerprint sensor can record the image of a fingerprint. With additional fingerprint software, this image can be processed and used instead of a password.



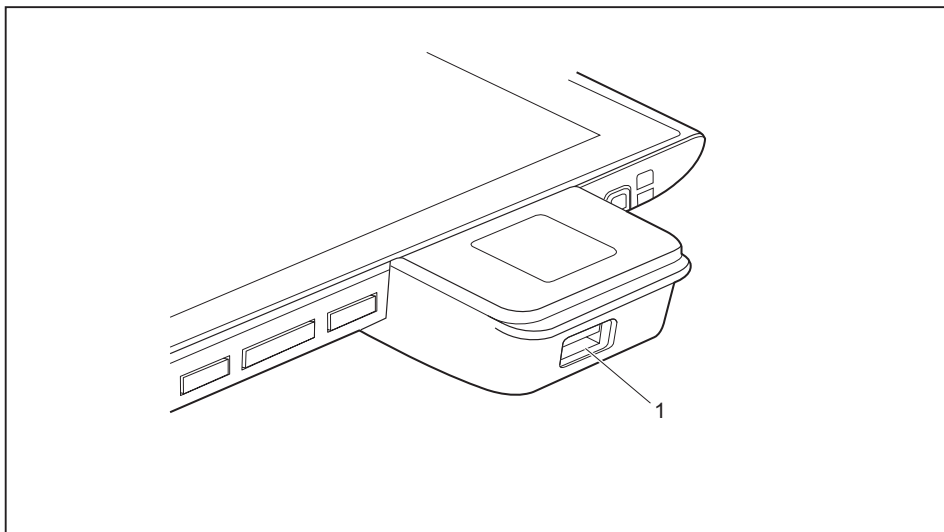
- ▶ Install the fingerprint software to be able to use the fingerprint sensor (1).

Using the palm vein sensor (device-dependent)



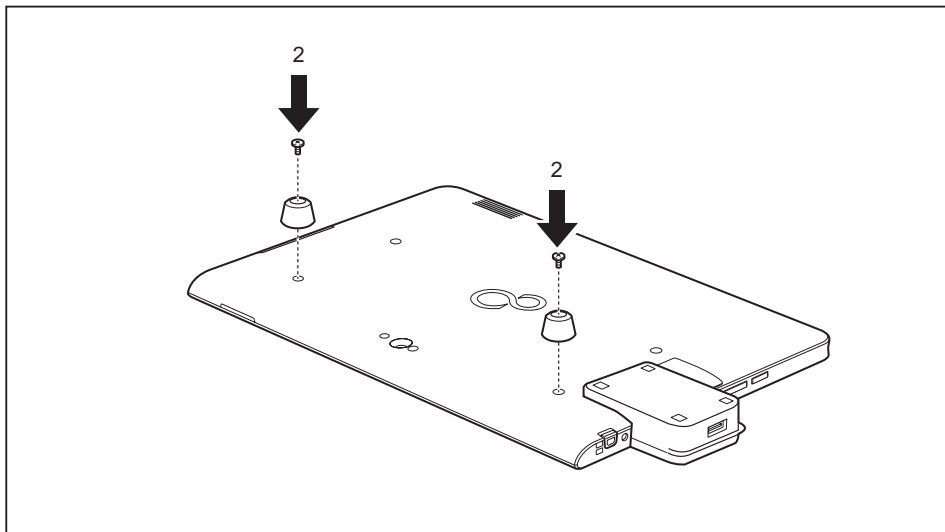
Whether your device has a palm vein sensor or not depends on the device configuration which you ordered.

The palm vein sensor (1) can record the image of the veins on the palm of your hand. This image is evaluated with additional software and can be used in place of a password.



Prior to using the palm vein sensor for the first time Fujitsu recommends the installation of the provided rubber feet:

- ▶ Turn the device over and place it on a stable, flat and clean surface. If necessary, lay an anti-slip cloth on this surface to prevent the device from being scratched.



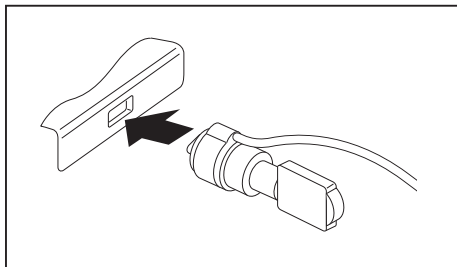
- ▶ Fasten the rubber feet with the screws (2).
- ▶ Install the software to use the palm vein sensor.



You can obtain further information on the palm vein sensor in the "Appendix: Miscellaneous Information".

Using the Security Lock

Your device comes with a Security Lock device for the Kensington Lock Cable. With the Kensington Lock Cable, a sturdy steel cable, you can protect your device and the port replicator against theft. The Kensington Lock Cable is available as an accessory.



- ▶ Fit the Kensington Lock Cable to the corresponding mechanism on your device.



Attach another Kensington Lock Cable to your performance docking cradle, keyboard docking station or power keyboard docking station to protect your port replicator from theft as well.

Configuring password protection in BIOS Setup Utility



Before using the various options for password protection in the *BIOS Setup Utility*, please proceed as follows to increase data security:

Make a note of the passwords and keep them in a safe place. If you forget your supervisor password you will not be able to access your Tablet PC. Passwords are not covered by your warranty and a charge will be made for assistance.



Your password can be up to eight characters long and can contain letters and numbers. No distinction is made between uppercase and lowercase.

Protecting BIOS Setup Utility (supervisor password and user password)



If you have opened these operating instructions on the screen, we recommend that you print them out. You cannot call up the instructions on the screen while you are setting up the password.

The supervisor password and the user password both prevent unauthorized use of the *BIOS Setup Utility*. The supervisor password allows you to access all of the functions of the *BIOS Setup Utility*, while the user password will only give you access to some of the functions. You can only set up a user password if a supervisor password has already been assigned.



Calling and using the *BIOS Setup Utility* is described in the chapter "[Settings in BIOS Setup Utility](#)", [Page 81](#).

Assigning the supervisor and user passwords

- ▶ Start the *BIOS Setup Utility* and go to the *Security* menu.
- ▶ Select the *Set Supervisor Password* field and press the Enter key.
 - ↳ With *Enter new Password*: you are asked to enter a password.
- ▶ Enter the password and press the Enter key.
 - ↳ *Confirm new Password* requires you to confirm the password.
- ▶ Enter the password again and press the Enter key.
 - ↳ *Changes have been saved* is displayed as a confirmation that the new password has been saved.
- ▶ To set the user password, select *Set User Password* and proceed exactly as when configuring the supervisor password.
 - ↳ If you do not want to change any other settings, you can exit *BIOS Setup Utility*.
- ▶ In the *Exit* menu, select the option *Save Changes & Exit*.
- ▶ Select *Yes* and press the Enter key.
 - ↳ The Tablet PC is rebooted and the new password is effective. It will now be necessary to first enter your supervisor or user password in order to open the *BIOS Setup Utility*. Please note that the user password only provides access to a few of the BIOS settings.

Changing the supervisor password or user password

You can only change the supervisor password when you have logged into the *BIOS Setup Utility* with the supervisor password.

- ▶ Start the *BIOS Setup Utility* and go to the *Security* menu.
- ▶ When changing the password, proceed exactly as when assigning a password.

Removing passwords

To remove a password (without setting a new password) perform the following steps:

- ▶ Start the *BIOS Setup Utility* and go to the *Security* menu.
- ▶ Highlight the *Set Supervisor Password* or *Set User Password* field and press the Enter key.
- ↳ You will be requested to enter the current password by the *Enter Current Password* prompt. *Enter New Password* will appear and you will be requested to enter a new password.
- ▶ Press the Enter key twice at this request.
- ▶ In the *Exit* menu, select the option *Save Changes & Exit*.
- ▶ Select *Yes* and press the Enter key.
- ↳ The Tablet PC is rebooted and the password is removed.
Removing the supervisor password simultaneously deactivates the user password.

Password protection for booting the operating system



With the supervisor password you have set in the *BIOS Setup Utility* (see section "[Assigning the supervisor and user passwords](#)", Page 71), you can also prevent booting of the operating system.

Activating system protection

- ▶ Start the *BIOS Setup Utility* and go to the *Security* menu.
- ▶ Select the *Password on Boot* option and press the Enter key.
- ▶ Select the option you require (*First Boot* or *Every Boot*) and press the enter key
- ▶ Select the *Save Changes & Exit* option under *Exit*.
- ↳ The Tablet PC reboots. You will be prompted to enter your password (the supervisor password).

Deactivating system protection

- ▶ Start the *BIOS Setup Utility* and go to the *Security* menu.
- ▶ Select the *Password on Boot* option and press the Enter key.
- ▶ Select the *Disabled* option and press the Enter key.
- ↳ If you do not want to change any other settings, you can exit *BIOS Setup Utility*.
- ▶ Select the *Save Changes & Exit* option under *Exit*.
- ↳ The Tablet PC reboots. The system is no longer password-protected.

Password protection for the hard disk



The hard disk password prevents unauthorized access to the hard disk drives and is checked internally each time the system is booted. The condition for this is that you have assigned at least the supervisor password.

Activating hard disk protection

- ▶ Call up the *BIOS Setup* and select the *Security* menu.
- ↳ If you have not assigned BIOS passwords yet, define the supervisor and the user password now, if desired (see "[Security functions](#)", [Page 66](#)).
- ▶ Mark the *Hard Disk Security* field and press the Enter key.
- ▶ In the area *Drive0*, mark the field *Set Master Password* and press the Enter key.
- ↳ *Enter new Password* then appears and you are asked to enter a password.
- ▶ Enter the password and press the Enter key.
- ↳ *Confirm new Password* requires you to confirm the password.
- ▶ Enter the password again and press the Enter key.
- ↳ With *Setup Notice: Changes have been saved* you receive confirmation that the new password has been saved.
- ▶ If you wish to enter a password for a second hard disk (*Drive1*), in the area *Drive1* mark the field *Set Master Password* and proceed in exactly the same way as for the set up of the first hard disk (*Drive0*).
- ↳ The field *Password Entry on Boot* is set to *Enabled* by default. You can exit the *BIOS Setup* once you have finished changing the settings.
- ▶ From the *Exit* menu, choose the option *Exit Saving Changes*.
- ▶ Press the Enter key and select *Yes*.
- ↳ The Tablet PC reboots and your hard disk is now protected with a password. The password prompt is enabled as soon as the Tablet PC has rebooted.

Deactivating hard disk protection

To cancel a password (without setting a new password) proceed as follows:

- ▶ Call up the *BIOS Setup* and select the *Security* menu.
- ▶ Mark the *Hard Disk Security* field and press the Enter key.
- ▶ In the area *Drive0*, mark the field *Set Master Password* and press the Enter key.
- ↳ With the prompt *Enter current Password* you are first asked to enter the old password again. With *Enter new Password* you are then prompted to enter a new password.
- ▶ After the request, press the Enter key three times.
- ▶ From the *Exit* menu, choose the option *Exit Saving Changes*.
- ▶ Press the Enter key and select *Yes*.
- ↳ The Tablet PC reboots and there is no longer any password protection for this hard disk.
- ▶ If you wish to remove a password for a second hard disk (*Drive1*), in the area *Drive1* mark the field *Set Master Password* and proceed in exactly the same way as for the removal of the first hard disk (*Drive0*).

SmartCard reader (optional)



Depending on the selected model, your device is equipped with a Smartcard reader (only on models with screw hole and SmartCard reader option).

SmartCards are not supplied as standard equipment. You can use all SmartCards that comply with the ISO standard 7816-1, -2 or -3. These SmartCards are available from various manufacturers.

With the appropriate software you can use your SmartCard as an alternative to password protection, but also as a digital signature, for encrypting your e-mails or for home banking.

We recommend that you always use two SmartCards. Always keep one of the SmartCards in a safe place if you are carrying the other SmartCard with you.

In order to be able to take advantage of all the security features of your Tablet PC, you will need a CardOS SmartCard from Fujitsu.



The SmartCard can only be used with a PIN, so maximum protection is maintained even when the SmartCard is lost. In order to maximize your security, the CardOS SmartCard is disabled if three incorrect attempts are made to enter the PIN.

During first time use of your CardOS SmartCard, you must either enter the preset PIN "12345678" or the PIN which has been notified to you by your system administrator.

Inserting the SmartCard

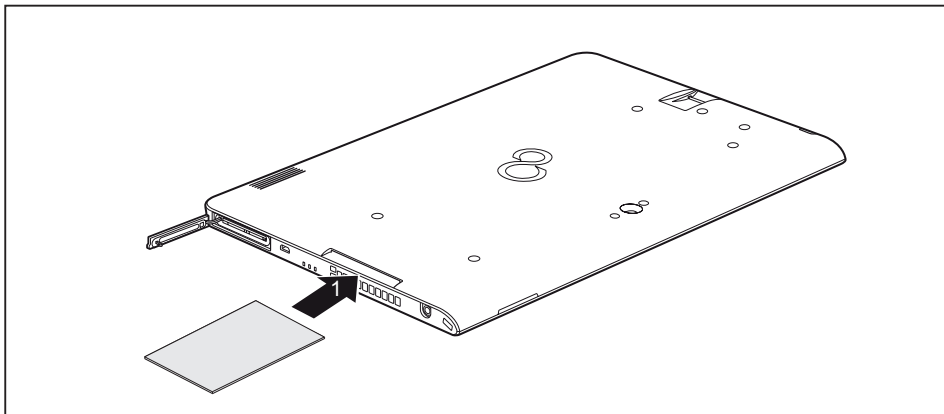


Depending on the selected model, your device is equipped with a Smartcard reader (only on models with screw hole and SmartCard reader option).



Do not use force when inserting and removing the SmartCard.

Make sure that foreign objects do not fall into the SmartCard reader.



- ▶ Push the SmartCard into the SmartCard reader with the chip facing the rear of the Tablet PC.

Trusted Platform Module - TPM (device dependent)

To use the TPM, you **must** enable the TPM in the *BIOS Setup* before the software is installed. The requirement for this is that you have assigned at least the supervisor HDD password (see ["Security functions", Page 66](#)).

Enabling TPM

- Requirement: You have assigned a supervisor password (see ["Security functions", Page 66](#)).
- ▶ Call BIOS Setup and select the *Security* menu.
- ▶ Mark the *TPM Security Chip Setting* field and press the Enter key.
- ▶ Select the entry *Enabled* to enable the TPM
- ↳ Once you have enabled the TPM the *Clear Security Chip* menu item appears.
You can clear the holder in the TPM using *Clear Security Chip*. With *Enabled*, all secret keys (e.g. SRK - Storage Root Keys, AIK - Attestation Identity Keys etc.) generated by applications are deleted.

Take note that you can then no longer access the data you have encrypted on the holder-based keys!
- ▶ Select the *Exit Saving Changes* option in the Exit menu.
- ▶ Press the Enter key and select *Yes*.
- ↳ The Tablet PC restarts and the TPM is enabled after the reboot.

Disabling TPM

- Requirement: You have assigned a supervisor password (see ["Security functions", Page 66](#)).
- ▶ Call BIOS Setup and select the *Security* menu.
- ▶ Mark the *TPM Security Chip Setting* field and press the Enter key.
- ▶ Select the entry *Disabled* to disable the TPM.
- ▶ From the *Exit* menu, choose the option *Exit Saving Changes*.
- ▶ Press the Enter key and select *Yes*.
- ↳ The Tablet PC is rebooted and the TPM is disabled.

Connecting external devices



Under all circumstances, please observe the safety notes provided in the ["Important notes", Page 14](#) chapter before connecting or disconnecting any devices to or from your Tablet PC.

Always read the documentation supplied with the device you wish to connect.

Never connect or disconnect cables during a thunderstorm.

Never pull at a cable when disconnecting it. Always grasp the plug.



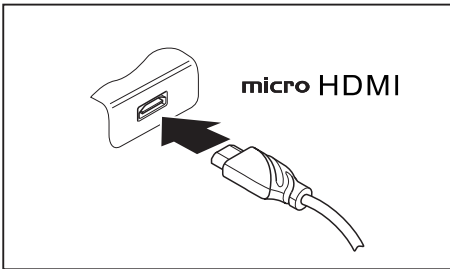
With some devices, such as USB devices, it is not necessary to switch off the Tablet PC and the device before connecting/disconnecting. For more information about whether or not devices need to be switched off, please refer to the documentation supplied with your external device.

Some of the external devices require special drivers (see the operating system and external device documentation).

Connecting an external monitor

Micro HDMI port

The micro HDMI port on your device can be used to connect an external amplifier, LCD TV or a plasma TV with an HDMI connection.



- ▶ Connect the data cable to the external device.
- ▶ Connect the data cable to the micro HDMI port.

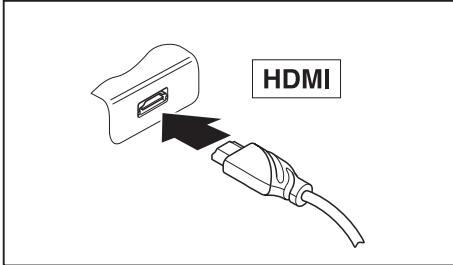


Some LCD televisions have only two speakers/speaker ports and therefore cannot reproduce Dolby Digital or DTS. To play back HDMI sound, you must change the HDMI sound settings accordingly.

You can find the settings under *Control Panel - Hardware and Sound*. Deactivate the settings for DTS Audio and Dolby Digital to enable playback of HDMI sound.

HDMI port (only performance docking cradle, keyboard docking station or power keyboard docking station)

The HDMI port can be used to connect an external amplifier, LCD TV or a plasma TV with an HDMI connection.



- ▶ Connect the data cable to the external device.
- ▶ Connect the data cable to the HDMI port.

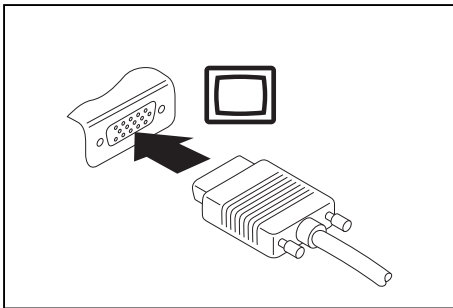


Some LCD televisions have only two speakers/speaker ports and therefore cannot reproduce Dolby Digital or DTS. To play back HDMI sound, you must change the HDMI sound settings accordingly.

You can find the settings under *Control Panel - Hardware and Sound*. Deactivate the settings for DTS Audio and Dolby Digital to enable playback of HDMI sound.

VGA monitor port (only performance docking cradle, keyboard docking station or power keyboard docking station)

An analog monitor is connected to the analog VGA monitor port. Screen output is limited to a maximum of two screens at the same time.



- ▶ Switch off the Tablet PC and the external monitor.
- ▶ Plug the data cable of the external monitor into the monitor port.
- ▶ First switch on the external monitor and then switch on the Tablet PC.



You can also switch back and forth between the external monitor and the LCD screen of the Tablet PC, see ["Touchscreen", Page 27](#).

You can display the same image on the external monitor and on the LCD screen of the Tablet PC at the same time.

Connecting USB devices

On the USB ports you can connect external devices that also have a USB port (e.g. a DVD drive, a printer, a scanner or a modem).



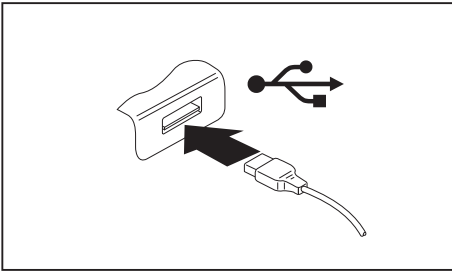
USB devices are hot-pluggable. This means you can connect and disconnect the cables of USB devices while the operating system is running.

USB 1.x has a maximum data transfer rate of 12 Mbps.

USB 2.0 has a data transfer rate of up to 480 Mbps.

USB 3.0 has a data transfer rate of up to 5 Gbps.

Additional information can be found in the documentation for the USB devices.



- ▶ Connect the data cable to the external device.
 - ▶ Connect the data cable to the USB port on the Tablet PC.
- or
- ▶ Connect the data cable to a USB port of the performance docking cradle.
- or
- ▶ Connect the data cable to a USB port of the keyboard docking station.
- or
- ▶ Connect the data cable to a USB port of the power keyboard docking station.



Device drivers

USB devices will be automatically recognized and installed by your operating system.

How to remove USB devices correctly



Always correctly remove the device according to the rules described below, to ensure that none of your data is lost.

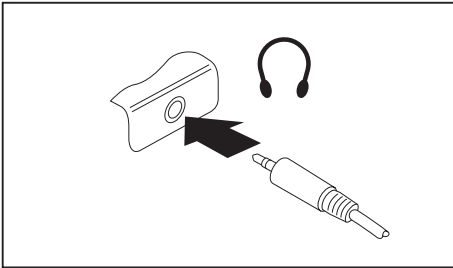
- ▶ Tap the symbol for safe removal of the hardware.
 - ▶ Select the device you wish to shut down and remove.
 - ▶ Tap *OK*.
- ↳ Wait for the dialog box which tells you that it is now safe to remove the device.

Connecting external audio devices

Your tablet PC has a combined headphone and microphone port, your (optional) performance docking cradle has separate ports for headphones and a microphone.

Connecting headphones or other audio output devices

The combined headphone and microphone port of the Tablet PC or the headphone port of the multifunctional cable (optional) allows you to connect output devices such as headphones, external speakers, etc., to your tablet PC.



- ▶ Connect the audio cable to the external device.
- ▶ Connect the audio cable to the combined headphone and microphone port of the tablet PC or to the headphone port of the performance docking cradle (optional).
- ↳ The internal speakers are disabled.



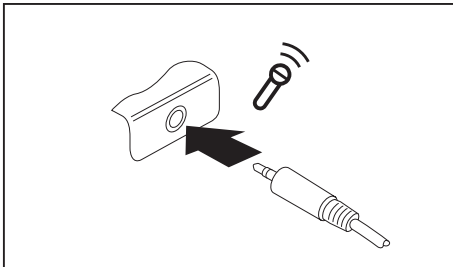
If you buy a cable from a retailer, please note the following:

The combined headphone and microphone port on your Tablet PC is a "3.5 mm jack socket".

If you want to connect headphones or speakers you will need a "3.5 mm jack plug".

Connecting a microphone or other audio input devices

The combined headphone and microphone port of the tablet PC or the microphone port of the performance docking cradle (optional) allows you to connect an external microphone, MiniDisc player, MP3 player, CD player or a tape deck to your tablet PC.



- ▶ Connect the audio cable to the external device.
- ▶ Connect the audio cable to the combined headphone and microphone port of the tablet PC or to the microphones port of the performance docking cradle (optional).

Settings in BIOS Setup Utility



To navigate more easily in the *BIOS Setup Utility*, you can use an external USB keyboard.

The *BIOS Setup Utility* allows you to set the system functions and the hardware configuration for the Tablet PC.

When the Tablet PC is delivered, the default settings are effective. You can change these settings in the menus of the *BIOS Setup Utility*. Any changes you make take effect as soon as you save and exit the *BIOS Setup Utility*.

The *BIOS Setup Utility* program contains the following menus:

<i>About</i>	Displays information relating to the BIOS, processor and Tablet PC
<i>System</i>	Advanced system settings
<i>Advanced</i>	Configuration of various hardware components, such as mouse, keyboard, processor
<i>Security</i>	Password settings and security functions
<i>Boot</i>	Configuration of the start-up sequence
<i>Exit</i>	Exits the <i>BIOS Setup Utility</i>

Starting the BIOS Setup Utility

- ▶ Keep the decrease volume button pressed down and switch the Tablet PC on.
- ▶ If a password has been assigned, enter the password and press the Enter key.



If you have forgotten the password, contact your system administrator or contact our customer service centre.

The *BIOS Setup Utility* starts.

BIOS Setup Utility operation



Press the **F1** key to display help about operation of the *BIOS Setup Utility*. The description of the individual settings is shown in the right-hand window of the *BIOS Setup Utility*.

With the **F9** key you can load the default settings of the *BIOS Setup Utility*.

- ▶ Use the cursor keys **←** or **→** to select the menu you wish to access to make changes.
- ↳ The menu is displayed on the screen.
- ▶ Select the option you want to change with the cursor keys **↑** or **↓**.
- ▶ Press the "Enter" key.
- ▶ Press the **ESC** key to exit the selected menu.
- ▶ For future reference, make a note of the changes you have made (for example, in this manual).

Exiting BIOS Setup Utility

You need to select the desired option in the *Exit* menu and activate it by pressing the Enter key:

Exit Saving Changes - save changes and exit BIOS Setup Utility

- ▶ To save the current menu settings and exit the *BIOS Setup Utility*, select *Exit Saving Changes* and *Yes*.
- ↳ The Tablet PC is rebooted and the new settings come into effect.

Exit Discarding Changes - Reject changes and exit BIOS Setup Utility

- ▶ To discard the changes, select *Exit Discarding Changes* and *Yes*.
- ↳ The settings which were valid when *BIOS Setup Utility* was called remain effective. The *BIOS Setup Utility* ends and the Tablet PC is rebooted.

Load Setup Defaults – load default values

- ▶ To copy the standard entries for all menus of the *BIOS Setup Utility*, choose *Load Setup Defaults* and *Yes*.

Discard Changes - Discard Changes without exiting BIOS Setup Utility

- ▶ To discard the changes you have made, select *Discard Changes* and *Yes*.
- ↳ The settings in place when *BIOS Setup Utility* was called remain effective. You can now make additional settings in the *BIOS Setup Utility*.
- ▶ If you want to exit the *BIOS Setup Utility* with these settings, select *Exit Saving Changes* and *Yes*.

Save Changes - save changes without exiting the BIOS Setup Utility

- ▶ To save the changes, select *Save Changes* and *Yes*.
- ↳ The changes are saved. You can now make additional settings in the BIOS Setup Utility.
- ▶ If you want to exit BIOS Setup Utility with these settings, choose *Exit Saving Changes* and *Yes*.

Save changes and power off

- ▶ To save the changes and switch off your device, select *Save Changes and Power Off* and *Yes*.
- ↳ The changes are saved. Your device is shut down.

Troubleshooting and tips

If a fault occurs, try to correct it as described. If you fail to correct the problem, proceed as follows:

- ▶ Make a note of the steps and the circumstances that led to the fault. Also make a note of any error messages displayed.
- ▶ Switch the Tablet PC off.
- ▶ Please contact the Hotline/Service Desk.



You can contact Fujitsu Service and Support in the following ways:

- Toll free phone: 1-800-8Fujitsu (1-800-838-5487)
- Website: ["http://solutions.us.fujitsu.com/www/content/support/contact/index.php"](http://solutions.us.fujitsu.com/www/content/support/contact/index.php)

Before you place the call, have the following information ready so that the customer support representative can provide you with the fastest possible solution:

- The model name and serial number of the Tablet PC. The serial number is located on a sticker on the underside of the Tablet PC.
- Notes with the messages that appeared on the screen and information on acoustic signals.
- All changes you have made to the hardware or software after receiving the Tablet PC.
- All changes you have made to the *BIOS Setup* settings after receiving the Tablet PC.
- Your system configuration and all peripheral devices connected to your system.
- Your sales contract.



Our Tablet PCs have been designed primarily with mobile applications in mind. This means that considerable effort has been made to optimize components and equipment in terms of weight, space and energy requirements. Depending on the particular configuration you have purchased, it is possible that functionality may be slightly reduced compared to a desktop PC if you are running processor-intensive gaming software, e.g. games with intensive 3D graphics. Updating your hardware with drivers which have not been approved by Fujitsu may result in performance losses, data losses or malfunction of the equipment. A list of approved drivers and current BIOS versions can be downloaded from: ["http://solutions.us.fujitsu.com"](http://solutions.us.fujitsu.com)

Executing a reset

If the device no longer responds to your inputs, choose one of the following options:

Forced shutdown

- ▶ Press and hold the ON/OFF button for at least 4 seconds.
- ↳ The device will be shut down. You can then restart it.

Resetting the rechargeable battery

- ▶ Shut down the device.



If the device does not respond, you may have to force the shutdown, as described in the previous section.

- ▶ Disconnect the AC adapter from the device.
- ▶ Press the increase volume button and the shortcut button at the same time.
- ↳ The device resets in a similar way to the removal of the rechargeable battery. You can then restart it.

Help if problems occur

Should you encounter a problem with your computer that you cannot resolve yourself:

- ▶ Note the ID number of your device. The ID number is found on the type rating plate on the back or underside of the casing.
- ▶ For further clarification of the problem, contact the Fujitsu Service Desk. When you do this, please have ready the ID number and serial number of your system.

Recovering your Factory Image

In the event you need to restore your original Factory Image, please refer to the appendix of this Operating Manual.

The Tablet PC's date or time is incorrect

Cause	Troubleshooting
Time and date are incorrect.	▶ With the <i>BIOS-Setup-Utility</i> , you can set the date and time in the <i>Main</i> menu.
Date and time are still set incorrectly after switching on the Tablet PC.	▶ Please contact your sales outlet or our hotline/service desk.

Battery indicator does not illuminate

Cause	Troubleshooting
The battery is discharged.	<ul style="list-style-type: none"> ▶ Charge the battery. <p>or</p> <ul style="list-style-type: none"> ▶ Connect the Tablet PC to a power outlet using the AC adapter.

The Tablet PC's touchscreen remains dark

Cause	Troubleshooting
Touchscreen is switched off.	<ul style="list-style-type: none"> ▶ Press a key (external keyboard) or tap on the touchscreen.
External monitor or television set connected.	<ul style="list-style-type: none"> ▶ Check whether the graphics driver settings are correct or whether an external monitor has been detected in "Intel Graphics Media Accelerator Driver for mobile".

The display on the Tablet PC's touchscreen is difficult to read.

Cause	Troubleshooting
Reflected glare	<ul style="list-style-type: none"> ▶ Move the Tablet PC into a different position. ▶ Increase the brightness of the screen.

The external monitor remains blank

Cause	Troubleshooting
Monitor is switched off.	▶ Switch the external monitor on.
Power saving has been activated (monitor is blank).	▶ Press a key (external keyboard) or tap on the touchscreen.
Brightness is set to dark.	▶ Adjust the brightness of the monitor.
Screen output is set to the Tablet PC touchscreen.	▶ Check whether the graphics driver settings are correct or whether an external monitor has been detected in "Intel Graphics Media Accelerator Driver for mobile".
The external monitor's AC cable or data cable is not connected properly.	<ul style="list-style-type: none"> ▶ Switch off the Tablet PC and the external monitor. ▶ Check whether the AC cable is plugged properly into the external monitor and into the power outlet. ▶ Check that the data cable is properly connected to the Tablet PC and the external monitor (if it is plugged in with a connector). ▶ Switch on the external monitor and the Tablet PC.

The external monitor is blank or the image is unstable

Cause	Troubleshooting
The wrong external monitor has been selected or the wrong screen resolution has been set for the application program.	<ul style="list-style-type: none"> ▶ Terminate the application program in Windows. If the error persists after terminating the program, use the key combination for switching the screen output in order to switch to the touchscreen of the Tablet PC. Change the following setting: ▶ Set the screen resolution: Set the screen resolution as described in the documentation for your operating system. ▶ Select monitor: Select monitor 1 or 2 as described in the documentation for your operating system.

The cursor does not correctly follow the stylus movements

Cause	Troubleshooting
Stylus incorrectly calibrated.	▶ Calibrate the stylus as described in chapters "Adjusting the stylus", Page 35 and "Calibrating the stylus", Page 36 .

Stylus input not working

Cause	Troubleshooting
Incorrect driver installed.	<ul style="list-style-type: none"> ▶ If your device is one which can only be operated using the stylus, install the driver for the standard model. <p style="text-align: center;">or</p> <ul style="list-style-type: none"> ▶ If your device is one which can be operated using the stylus and by finger, install the driver for the "Dual Digitizer" model.

The Tablet PC does not start after switch on

Cause	Troubleshooting
The battery is dead.	<ul style="list-style-type: none"> ▶ Charge the battery. <p style="text-align: center;">or</p> <ul style="list-style-type: none"> ▶ Connect the AC adapter to the Tablet PC.
The AC adapter is not connected properly.	<ul style="list-style-type: none"> ▶ Check whether the AC adapter is properly connected to the Tablet PC. ▶ Switch the Tablet PC on.

The Tablet PC stops working

Cause	Troubleshooting
The Tablet PC is in energy saving mode.	<ul style="list-style-type: none"> ▶ End energy saving mode.
An application program has caused the malfunction.	<ul style="list-style-type: none"> ▶ Close the application program or restart the Tablet PC (by restarting the operating system or switching the device off and back on again).
The battery is dead.	<ul style="list-style-type: none"> ▶ Charge the battery. <p style="text-align: center;">or</p> <ul style="list-style-type: none"> ▶ Connect the AC adapter to the Tablet PC.

The printer does not print

Cause	Troubleshooting
The printer is not switched on.	<ul style="list-style-type: none"> ▶ Make sure that the printer is switched on and ready for operation (refer to the documentation supplied with the printer).
The printer is not connected correctly.	<ul style="list-style-type: none"> ▶ Check that the data cable between the Tablet PC and the printer is properly connected.
The printer driver is faulty or not correctly installed, or it is the wrong printer driver.	<ul style="list-style-type: none"> ▶ Check that the data cable between the Tablet PC and the printer is properly connected. ▶ Check whether the correct printer driver is loaded (refer to the printer documentation).

The wireless connection to a network does not work

Cause	Troubleshooting
The wireless component is switched off.	<ul style="list-style-type: none"> ▶ Switch the wireless component on (see "Switching the wireless components on and off", Page 43).
The wireless component is switched on. Despite this, the wireless connection to a network does not work.	<ul style="list-style-type: none"> ▶ Check whether the wireless connection is enabled by the software. ▶ Further information on using the wireless component can be found in the help files.

The battery discharges too quickly

Cause	Troubleshooting
The battery is either too hot or too cold. In this case the battery indicator flashes.	<ul style="list-style-type: none"> ▶ Bring the Tablet PC up/down to a normal operating temperature again. ▶ If the operating time of the battery life is extremely short, the battery is probably too old. Replace the battery if necessary.
You may have an application running that consumes a great deal of power due to frequent accessing of the hard disk or optical drive.	<ul style="list-style-type: none"> ▶ Use the AC adapter whenever possible.
The maximum brightness may have been set for the screen.	<ul style="list-style-type: none"> ▶ Reduce the brightness of the screen to lower energy consumption: You will find the setting under <i>Control Panel – Hardware and Sounds – Windows Mobility Center</i>.

Smart Card reader is not recognized

Cause	Troubleshooting
Smart Card inserted incorrectly.	<ul style="list-style-type: none"> ▶ Make sure you have inserted your Smart Card into the Smart Card reader with the chip facing upwards / downwards (device-dependent). ▶ Check whether the Smart Card you are using is supported. Your Smart Card must comply with the ISO standard 7816-1, -2, -3 and -4.

SmartCard PIN forgotten

Cause	Troubleshooting
PIN forgotten	<ul style="list-style-type: none"> ▶ If you work in a network, contact your system administrator, who can unlock your Tablet PC using a supervisor PIN.

User and/or supervisor Smart Card lost

Cause	Troubleshooting
User and/or Supervisor Smart Card lost.	<ul style="list-style-type: none"> ▶ If you have lost your user Smart Card, you can continue working with the Supervisor Smart Card and initialize a new user Smart Card. ▶ If you have lost the Supervisor Smart Card, you can also continue working, but you no longer have all rights and cannot initialize another Supervisor Smart Card. ▶ If you have lost both Smart Cards, you cannot boot your system. Please contact our customer service center. You must provide proof of ownership for the device. The customer service center will then refer you to our service partner, who will unlock your device (for a charge).

SmartCard lost

Cause	Troubleshooting
SmartCard lost.	<ul style="list-style-type: none"> ▶ If you work in a network, contact your system administrator, who can boot your Tablet PC with a supervisor SmartCard.

Acoustic warning

Cause	Troubleshooting
A beep sounds every few seconds. The battery is almost dead.	<ul style="list-style-type: none"> ▶ Charge the battery.

Error messages on the screen

This section describes the error messages generated by the BIOS Setup. Error messages displayed by the operating system or programs are described in the documentation for these programs.



If the error message appears repeatedly despite troubleshooting measures, contact the place of purchase or our customer service center.

Error message/cause	Troubleshooting
<p><i>CMOS battery bad</i></p> <p>If the error message occurs repeatedly, the buffer battery in the Tablet PC is flat.</p>	<ul style="list-style-type: none"> ▶ Contact your sales outlet or our customer service center.
<p><i>System CMOS checksum bad - Default configuration used</i></p> <p>The system configuration information is incorrect.</p>	<ul style="list-style-type: none"> ▶ Switch the Tablet PC off. ▶ Switch the Tablet PC on. ▶ In the <i>BIOS Setup</i>, select the <i>Exit</i> menu. ▶ Select the entry <i>Load Setup Defaults</i>. ▶ Select <i>OK</i> and press the Enter key.
<p><i>Extended memory failed at offset: xxxx Failing Bits: zzzz zzzz</i></p> <p>When testing the extended memory, an error has resulted at the address xxxx.</p>	<ul style="list-style-type: none"> ▶ Contact your sales outlet or our customer service center.
<p><i>Failure Fixed Disk n</i></p> <p>The settings of the hard disk drive are incorrect.</p>	<ul style="list-style-type: none"> ▶ Start the <i>BIOS Setup (Primary Master submenu)</i> and select the correct settings.
<p><i>Keyboard controller error</i></p>	<ul style="list-style-type: none"> ▶ Switch your Tablet PC off with the ON/OFF button. ▶ Wait 3 - 5 seconds and switch the Tablet PC on again.
<p><i>Keyboard error</i></p>	<p>If you use an external keyboard:</p> <ul style="list-style-type: none"> ▶ Check the connection and reboot the Tablet PC.
<p><i>nn Stuck key</i></p>	<ul style="list-style-type: none"> ▶ Make sure that no key is pressed.
<p><i>Operating system not found</i></p>	<ul style="list-style-type: none"> ▶ Check in the <i>BIOS Setup</i> whether your hard disk has been set correctly. ▶ Make sure that the operating system is installed on the corresponding drive.
<p><i>Press <F1> to resume, <F2> to SETUP</i></p> <p>This error message appears if an error occurs during the self-test before starting the operating system.</p>	<ul style="list-style-type: none"> ▶ Press the Alt tablet button to boot the operating system
<p><i>Real time clock error</i></p>	<ul style="list-style-type: none"> ▶ Contact your sales outlet or our customer service center.
<p><i>nnnnK Shadow RAM failed at offset: xxxx Failing Bits: zzzz</i></p>	<ul style="list-style-type: none"> ▶ Contact your sales outlet or our customer service center.
<p><i>System battery is dead - Replace and run SETUP</i></p>	<ul style="list-style-type: none"> ▶ Contact your sales outlet or our customer service center.
<p><i>System cache error - Cache disabled</i></p>	<ul style="list-style-type: none"> ▶ Contact your sales outlet or our customer service center.
<p><i>System timer error</i></p>	<ul style="list-style-type: none"> ▶ Contact your sales outlet or our customer service center.

Technical data

Tablet PC

General	
Processor	5th Generation Intel® Core™ with vPro™ technology (vPro optional, dependent on configuration)
Main memory (SO DIMM)	4 GByte / 8 GByte DIMM onboard
Electrical data	
Safety regulations complied with	CE
Protection class	II
Maximum power consumption (when the Tablet PC is switched on, connected to the keyboard docking station and the battery is being charged):	65 W
Touchscreen	
Size	13.3" Full HD Wide View
Screen resolution	1920 x 1080 / 16 million colors
Pixel class	II
Brightness control	12 levels
Technology	Wide-View High-Bright Display with LED background lighting
Digitizer and glass panel	Dual digitizer with anti-glare touch screen
Cameras	<ul style="list-style-type: none"> • Front: HD camera • Back: 5 megapixels, autofocus, mobile light
Graphics card	
Chip	Intel (c) HD Graphics 5500
Maximum resolution of external display:	4096 x 2160
Dimensions	
Width x Depth x Height	<ul style="list-style-type: none"> • Standard Shell tablet only: 12.56 x 8.19 x 0.5 inches (319 x 208 x 12.7 mm) • Standard Shell tablet with keyboard docking station w/o battery: 12.56 x 9.76 x 1.1.7 inches (319 x 248 x 29.6 mm) • Standard Shell tablet with power keyboard docking station w/ battery: 12.56 x 9.76 x 1.33 inches (319 x 248 x 33.8 mm)

Technical data

Weight depending on configuration	<ul style="list-style-type: none">• Standard Shell tablet only: 2.15 lbs / 0.98 kg• Standard Shell tablet with keyboard docking station w/o battery: 4.13 lbs / 1.87 kg• Standard Shell tablet with power keyboard docking station w/ battery: 4.56 lbs / 2.07 kg Weight may vary depending on actual configuration (including battery pack).
Input devices	
Tablet buttons	3 keys
Stylus	Stylus with a pressure button
Slots	
Memory card slot	1 x Micro SD
SIM card slot	1 x Micro SIM
Smart Card slot (optional shell)	1 x
Ports	
Combined headphones and microphone port	3.5 mm stereo mini jack
Docking port	1 x
Micro HDMI port	1 x
USB (Universal Serial Bus)	1 x USB 2.0, 1 x USB 3.0
Security Lock device	1 x
Ambient conditions	
Environment class DIN IEC 721	7K1
Mechanism class DIN IEC 721	7M2
Operating temperature	5 °C 35 °C / 41 °F 95 °F
Transport temperature (2K2)	-15 °C 60 °C / 5 °F 140 °F

WLAN specifications

Type of network	Intel® Dual Band Wireless-AC 8260 (Snowfield Peak – 11ac/abgn), 8260NGW Wi-Fi based*
Transfer rate	(Automatic switching) IEEE802.11 a and g: 54 Mbps max. data rate; IEEE802.11n: 300 Mbps max. data rate, IEEE802.11ac: 867 Mbps max. data rate
Active frequency	<ul style="list-style-type: none">• 802.11n: 2.4 GHz or 5 GHz• 802.11b/g: 2400~2473 MHz• 802.11a: 4900~5850 MHz• 802.11ac: 2.4 GHz / 5 GHz

<p>Typical operating distances**</p>	<ul style="list-style-type: none"> • 802.11a: 40 ft. (12 m) @ 54 Mbps; 300 ft. (91 m) @ 6 Mbps • 802.11ac: 40 ft. (12 m) @ 54 Mbps; 300 ft. (91 m) @ 6 Mbps • 802.11b: 100 ft. (30 m) @ 11 Mbps; 300 ft. (91 m) @ 1 Mbps • 802.11g: 100 ft. (30 m) @ 54 Mbps; 300 ft. (91 m) @ 1 Mbps • 802.11n: Estimated double the operating distance of 802.11g and 802.11a in their respective frequencies
<p>Number of channels</p>	<ul style="list-style-type: none"> • 802.11a: 8 independent channels • 802.11b/g: 11 channels, 3 non-overlapping channels • 802.11n: Channel bonding takes two of the non-overlapping 20MHz channels and combines it into one 40MHz channel. It is actually 12 non-overlapping channels with channel bonding and 24 without. Also it is 1 non-overlapping channel in 2.4GHz when channel bonding is used. • 802.11ac: 5 independent channels
<p>Security</p>	<p>Encryption types: compatible with WEP, TKIP, AES***, WPA 1.0 and WPA 2.0</p> <p>Encryption key, lengths supported: 64 bits and 128 bits</p>
<p>Maximum recommended number of computers to be connected over wireless LAN (during ad hoc connection)</p>	<p>10 units or less ****</p>
<p>* "Wi-Fi based" indicates that the interconnectivity test of the organization which guarantees the interconnectivity of wireless LANs (Wi-Fi Alliance) was passed.</p> <p>** The operating distances given above increase or decrease depending on factors such as the number of walls, reflecting material or interference by external RF sources.</p> <p>*** Network key encryption (WEP) occurs with the number of bits given above, after deduction of the fixed length of 24 bits the user may however also set 40 or 104 bits.</p> <p>**** Depending on the particular practical application, the number of computers which can be networked is reduced if necessary.</p>	

Rechargeable battery



You can find information on the batteries used in your device on the Internet at ["http://solutions.us.fujitsu.com/www/content/support/contact/index.php"](http://solutions.us.fujitsu.com/www/content/support/contact/index.php).

	3-cell lithium polymer battery 4250 mAh
Rated voltage	10.8 V
Rated capacity	46 Wh

AC adapter 65 W for the Tablet PC

Rated voltage	19 V
Max. rated current	3.42 A

An additional AC adapter or AC cable can be ordered at any time.

Performance docking cradle (optional)

Electrical data	
Safety regulations complied with	CE
Protection class	III
Ports	
Headphone port	3.5 mm stereo mini jack
Microphone port	3.5 mm stereo mini jack
Docking port	40-pin
HDMI port	1 x
VGA monitor port	1 x
USB (Universal Serial Bus)	3 x USB 3.0
LAN port	1 x
Security Lock device	1 x
Ambient conditions	
Environment class DIN IEC 721	7K1
Mechanism class DIN IEC 721	7M2
Operating temperature	5 °C 35 °C / 41 °F 95 °F
Temperature in transit	-15 °C 60 °C / 5 °F 140 °F

AC adapter 65 W for the performance docking cradle (optional)

Rated voltage	19 V
Max. rated current	3.42 A

An additional AC adapter or AC cable can be ordered at any time.

Keyboard docking station or power keyboard docking station (optional)

Electrical data	
Safety regulations complied with	CE
Protection class	III
Ports	
Docking port	16-pin
USB (Universal Serial Bus)	3 x USB 3.0
VGA monitor port	1 x
LAN port	1 x
HDMI port	1 x
Ambient conditions	
Environment class DIN IEC 721	7K1
Mechanism class DIN IEC 721	7M2
Operating temperature	5 °C 35 °C / 41 °F 95 °F
Temperature in transit	-15 °C 60 °C / 5 °F 140 °F

Rechargeable battery for power keyboard docking station (device-dependent)



You can find information on the batteries used in your device on the Internet at ["http://solutions.us.fujitsu.com/www/content/support/contact/index.php"](http://solutions.us.fujitsu.com/www/content/support/contact/index.php).

	3-cell lithium polymer battery 4170 mAh
Rated voltage	10.8 V
Rated capacity	45 Wh

Intermediary VESA Mount Plate

Dimensions	
Width x Depth x Height	222 mm x 91 mm x 12.2 mm / 8.74 in x 3.58 in x 0.48 in
Weight	130 g / 0.29 lbs

Hand strap (optional)

Dimensions	
Width x Depth x Height	478 mm x 77 mm x 13 mm / 18.8 in x 3.03 in x 0.51 in
Weight	approx. 24 g / 0.053 lbs.

Shoulder strap (optional)

Dimensions	
Width x Depth x Height	1265 mm x 25 mm x 4.8 mm / 49.80 in x 0.98 in x 0.189 in
Weight	approx. 33.4 g / 0.074 lbs.

Folio case (optional)

Dimensions	
Width x Depth x Height	460 mm x 273 mm x 16 mm / 18.11 in x 10.75 in x 0.63 in
Weight	approx. 390 g / 0.86 lbs.

Manufacturer's notes

Disposal and recycling

You can find information on this subject on your Tablet PC or on our website ("http://solutions.us.fujitsu.com/www/content/products/trade-in_program/").

Recycling your battery

Over time, the batteries that run your mobile computer will begin to hold a charge for a shorter amount of time; this is a natural occurrence for all batteries. When this occurs, you may want to replace the battery with a fresh one*. If you replace it, it is important that you dispose of the old battery properly because batteries contain materials that could cause environmental damage if disposed of improperly.

Fujitsu is very concerned with environmental protection, and has enlisted the services of the Rechargeable Battery Recycling Corporation (RBRC)**, a nonprofit public service organization dedicated to protecting our environment by recycling old batteries at no cost to you.

RBRC has drop-off points at tens of thousands of locations throughout the United States and Canada. To find the location nearest you, go to "www.RBRC.org" or call 1-800-822-8837.

If there are no convenient RBRC locations near you, you can also go to the EIA Consumer Education Initiative website "<http://EIAE.org/>" and search for a convenient disposal location.



Remember – protecting the environment is a cooperative effort, and we must make every effort to protect it for current and future generations.

* To order a new battery for your Fujitsu mobile computer, go to the Fujitsu shopping site at "www.shopfujitsu.com" in the US or "www.fujitsu.ca/products/notebooks" in Canada.

** RBRC is an independent third party to which Fujitsu provides funding for battery recycling; RBRC is in no way affiliated with Fujitsu.

DOC (Industry CANADA) Notices

Radios and Television

This Class B digital apparatus meets all requirements of Canadian Interference-Causing Equipment Regulations.

CET appareil numérique de la class B respecte toutes les exigence du Règlement sur le matériel brouilleur du Canada.

UL Notice

IMPORTANT SAFETY INSTRUCTIONS

This unit requires an AC adapter to operate. Only use UL Listed I.T.E. adapters with an output rating of 19 VDC, with a minimum current of 3.42A (65W). The correct output rating is indicated on the AC adapter label. Refer to the illustration below for the correct AC Adapter output polarity:



When using your Tablet PC equipment, basic safety precautions should always be followed to reduce the risk of fire, electric shock and injury to persons, including the following:

- Do not use this product near water for example, near a bathtub, washbowl, kitchen sink or laundry tub, in a wet basement or near a swimming pool.
- Use only the power cord and batteries indicated in this manual. Do not dispose of batteries in a fire. They may explode. Check with local codes for possible special disposal instructions.

SAVE THESE INSTRUCTIONS

For Authorized Repair Technicians Only



CAUTION:

For continued protection against risk of fire, replace only with the same type and rating fuse.



WARNING:

Danger of explosion if Lithium (CMOS) battery is incorrectly replaced. Replace only with the same or equivalent type recommended by the manufacturer.

Dispose of used batteries according to the manufacturer's instruction.

ENERGY STAR Compliance



Your Fujitsu system is an ENERGY STAR qualified mobile PC. By choosing a computer with the latest energy-saving technology, you're helping to preserve our environment for future generations. ENERGY STAR is a joint program of the U.S. Environmental Protection Agency, U.S. Department of Energy, Natural Resources Canada, and other governments around the world helping us save money while protecting the environment through energy efficient products and practices. With energy costs and global warming top-of-mind for consumers, Fujitsu is committed to offering solutions that help consumers conserve energy and improve the quality of our environment.

Sleep mode:

You will notice that your computer is initially set so that the display turns off after 10 minutes of user inactivity, and the computer goes into Sleep mode after 20 minutes of user inactivity. When going into Sleep mode, the computer also reduces the speed of any active Ethernet network links. To "wake" the computer from Sleep mode, press the Suspend/Resume Button.

Energy saving benefits:

Fujitsu ENERGY STAR qualified mobile PCs use about half as much electricity as standard equipment – saving half in utility costs. But more than that, ENERGY STAR also makes a difference for the environment. Did you know that the average house can be responsible for twice the greenhouse gas emissions as the average car? That's because every time you flip on a light switch, run your dishwasher, or turn on your PC, you use energy, which means more greenhouse gas emissions from power plants. So the more energy we can save through energy efficiency, the more we help to reduce greenhouse gases and the risks of global warming.

To learn more about the important ENERGY STAR program, visit: "www.energystar.gov".

To read about how Fujitsu is supporting Sustainable Management along with several other environmental activities, visit the Fujitsu Corporate Citizenship page at: "<http://www.computers.us.fujitsu.com/www/content/aboutus/environmental/environment.php>".

Declarations of conformity

This device complies with Part 15 of the FCC Rules. Operations are subject to the following two conditions: (1) This device may not cause harmful interference, (2) this device must accept any interference received, including interference that may cause undesired operation.

FCC and IC Regulatory Information



Please note the following regulatory information related to the wireless LAN device.

Regulatory Notes and Statements

Wireless LAN, Health and Authorization for use

Radio frequency electromagnetic energy is emitted from Wireless LAN devices. The energy levels of these emissions, however, are far much less than the electromagnetic energy emissions from wireless devices such as mobile phones. Wireless LAN devices are safe for use by consumers because they operate within the guidelines found in radio frequency safety standards and recommendations. The use of Wireless LAN devices may be restricted in some situations or environments, such as:

- On board an airplane, or
- In an explosive environment, or
- In situations where the interference risk to other devices or services is perceived or identified as harmful.

In cases in which the policy regarding use of Wireless LAN devices in specific environments is not clear (e.g., airports, hospitals, chemical/oil/gas industrial plants, private buildings), obtain authorization to use these devices prior to operating the equipment.

Regulatory Information/Disclaimers

Installation and use of this Wireless LAN device must be in strict accordance with the instructions included in the user documentation provided with the product. Any changes or modifications made to this device that are not expressly approved by the manufacturer may void the user's authority to operate the equipment. The manufacturer is not responsible for any radio or television interference caused by unauthorized modification of this device, or the substitution or attachment of connecting cables and equipment other than those specified by the manufacturer. It is the responsibility of the user to correct any interference caused by such unauthorized modification, substitution or attachment. The manufacturer and its authorized resellers or distributors will assume no liability for any damage or violation of government regulations arising from failure to comply with these guidelines.

This device must not be co-located or operated in conjunction with any other antenna or transmitter.

For IEEE 802.11a Wireless LAN: For operation within 5.15~5.25 GHz frequency range, it is restricted to indoor environments, and the antenna of this device must be integral.

Federal Communications Commission and Industry Canada statement:

This device complies with Part 15 of FCC Rules and Industry Canada license exempt RSS standard(s).

Operation is subject to the following two conditions: (1) This device may not cause interference, and, (2) This device must accept any interference, including interference that may cause undesired operation of this device.

Déclaration d'Industrie Canada

Cet appareil est conforme à la Section 15 des Règles de la FC C et à la (aux) norme(s) RSS concernant les appareils exempt s de licence par Industrie Canada. Son fonctionnement est soumis aux deux condition s suivantes : (1) cet appareil ne doit pas causer d'interférence nuisible; (2) cet appareil doit accepter toutes les interférences reçues, y compris celles pouvant causer un mauvais fonctionnement de l'appareil.

FCC Interference Statement

This equipment has been tested and found to comply with the limits for a Class B digital device, pursuant to Part 15 of the FCC Rules. These limits are designed to provide reasonable protection against harmful interference in a residential installation. This equipment generates, uses, and can radiate radio frequency energy. If not installed and used in accordance with the instructions, it may cause harmful interference to radio communications. However, there is no guarantee that interference will not occur in a particular installation.

If this equipment does cause harmful interference to radio or television reception, which can be determined by turning the equipment off and on, the user is encouraged to try and correct the interference by one or more of the following measures:

1. Reorient or relocate the receiving antenna.
2. Increase the distance between the equipment and the receiver.
3. Connect the equipment to an outlet on a circuit different from the one the receiver is connected to.
4. Consult the dealer or an experienced radio/TV technician for help.

FCC Radio Frequency Exposure statement

The available scientific evidence does not show that any health problems are associated with using low power wireless devices. There is no proof, however, that these low power wireless devices are absolutely safe. Low power wireless devices emit low levels of radio frequency energy (RF) in the microwave range while being used. Whereas high levels of RF can produce health effects (by heating tissue), exposure to low-level RF that does not produce heating effects causes no known adverse health effects. Many studies of low-level RF exposure have not found any biological effects. Some studies have suggested that some biological effects might occur, but such findings have not been confirmed by additional research.

The wireless LAN radio device has been tested and found to comply with FCC radiation exposure limits set forth for an uncontrolled equipment and meets the FCC radio frequency (RF) Exposure Guidelines in Supplement C to OET65.

The exposure standard for wireless devices employs a unit of measurement known as the Specific Absorption Rate, or SAR. The SAR limit set by the FCC is 1.6W/kg, and 1.6W/kg by Industry Canada.

This device is compliant with SAR for general population /uncontrolled exposure limits in ANSI/IEEE C95.1-1992 and Canada RSS 102, and had been tested in accordance with the measurement methods and procedures specified in OET Bulletin 65 Supplement C, and Canada RSS 102. This device has been tested, and meets the FCC, IC RF exposure guidelines when tested with the device operating conditions.

Déclaration de la FCC/d'Industrie Canada sur l'exposition aux radiofréquences

La norme régissant l'exposition des appareils sans fil aux radiofréquences emploie une unité de mesure dénommée Taux d'absorption spécifique, ou TAS. La FCC et Industrie Canada ont défini la même limite de TAS : 1,6 W/kg. Cet appareil est conforme au TAS pour les limites d'exposition générales de la population/non contrôlées définies par les règles C95.1-1992 de l'ANSI/IEEE et RSS 102 d'Industrie Canada ; il a été testé en conformité avec les méthodes et procédures de mesure spécifiées dans le supplément C du bulletin 65 de l'OET (Office d'ingénierie et de technologie) et la règle RSS 102 d'Industrie Canada. Cet appareil a été testé selon les directives de la FCC et d'IC concernant l'exposition aux radiofréquences et s'est révélé conforme à ces dernières lorsqu'il a été testé en contact direct avec le corps.

Export restrictions

This product or software contains encryption code which may not be exported or transferred from the US or Canada without an approved US Department of Commerce export license. This device complies with Part 15 of FCC Rules., as well as ICES 003 B / NMB 003 B. Operation is subject to the following two conditions: (1) this device may not cause harmful interference, and (2) this device must accept any interference received, including interference that may cause undesirable operation. Modifications not expressly authorized by Fujitsu America, Inc. may invalidate the user's right to operate this equipment.

Restrictions concernant l'exportation

Ce produit ou logiciel contient du code de chiffrement qui ne peut être exporté ou transféré du Canada ou des États-Unis sans un permis d'exportation du département du commerce des États-Unis. Ce matériel est conforme à la Partie 15 des règlements de la FCC, ainsi qu'à la norme ICES 003 B/NMB 003 B. Son fonctionnement est soumis aux deux conditions suivantes : (1) cet appareil ne doit pas causer d'interférence nuisible; (2) cet appareil doit accepter toutes les interférences reçues, y compris celles pouvant causer un mauvais fonctionnement de l'appareil. Toute modification n'ayant pas été expressément approuvée par la société Fujitsu America Incorporated peut annuler le droit de l'utilisateur de se servir du matériel.

Canadian Notice

The device for the 5150 - 5250 MHz band is only for indoor usage to reduce the potential for harmful interference to co-channel mobile satellite systems.

In addition, users are cautioned to take note that high power radars are allocated as primary users (meaning they have priority) of 5250 - 5350 MHz and 5650 - 5850 MHz and these radars could cause interference and/or damage to LE-LAN devices.

Avis pour le Canada

Le matériel destiné à un usage sur la bande 5 150 - 5 250 MHz doit être utilisé uniquement à l'intérieur afin de réduire les risques de brouillage nuisible causé aux systèmes mobiles par satellite fonctionnant sur un même canal.

En outre, les utilisateurs doivent prendre garde au fait que les radars de grande puissance sont considérés comme des utilisateurs principaux (ce qui signifie qu'ils sont prioritaires) des bandes 5 250 - 5 350 MHz et 5 650 - 5 850 MHz et qu'ils pourraient causer des interférences et/ou des dommages aux appareils de réseau exempts de licence.

Appendix

Before Using the Optional Wireless LAN

This manual describes the procedures required to properly set up and configure the optional integrated Wireless LAN Mini-PCI device (referred to as "WLAN device" in the rest of the manual). Before using the WLAN device, read this manual carefully to ensure its correct operation. Keep this manual in a safe place for future reference.

Wireless LAN Devices Covered by this Document

This document is applicable to systems containing the following device:

- Intel® Dual Band Wireless-AC 8260

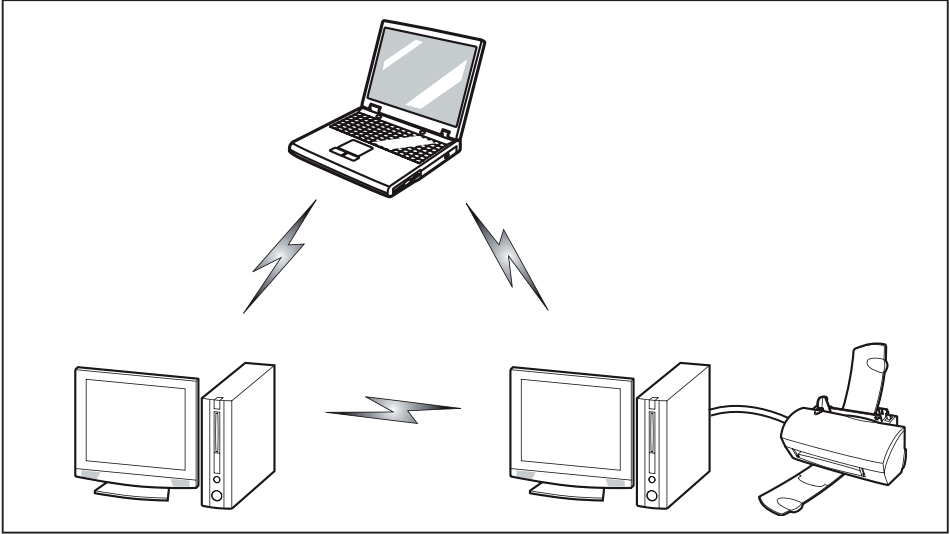
Characteristics of the WLAN Device

- The WLAN devices are PCI Express Mini cards attached to the main board of the mobile computer.
- The WLAN devices operate in license-free RF bands, eliminating the need to procure an FCC operating license. The WLAN operates in the 2.4GHz Industrial, Scientific, and Medical (ISM) RF band and the lower, middle, and upper bands of the 5GHz Unlicensed National Information Infrastructure (UNII) bands.
- The WLAN devices are capable of five operating modes: IEEE802.11a, IEEE802.11ac, IEEE802.11b, IEEE802.11g, and IEEE802.11n.
- The WLAN device is Wi-Fi certified and operates (as applicable) at a the maximum data rate of 450 Mbps in IEEE802.11n mode (300 Mbps in this configuration); 54 Mbps in IEEE802.11g mode; and 11 Mbps in IEEE802.11b mode.
- The WLAN devices support the following encryption methods - WEP, TKIP, CKIP, and AES encryption.
- The Wireless LAN devices are compliant with the following standards: WPA, WPA2, CCX1.0, CCX2.0, CCX3.0, and CCX4.0.

Wireless LAN Modes Using this Device

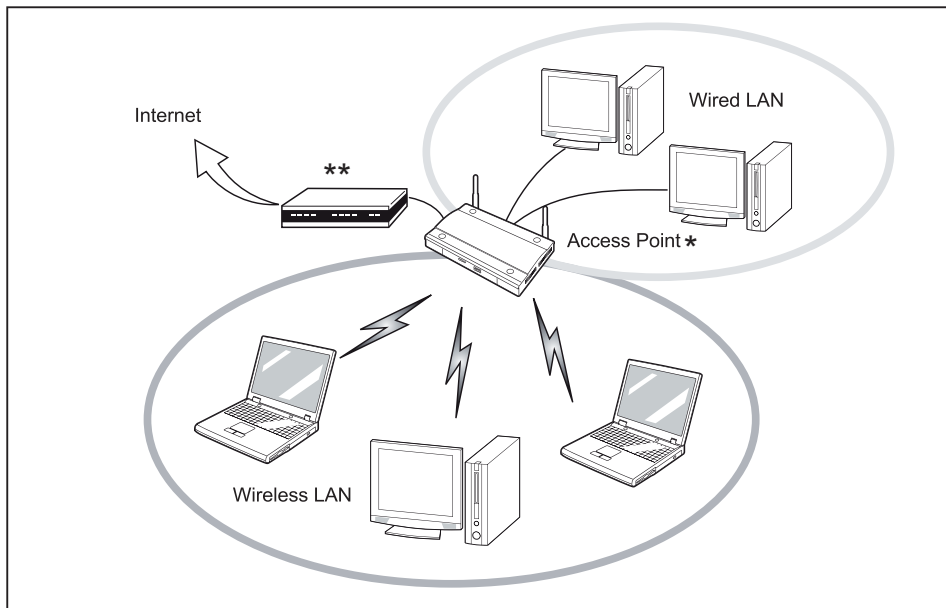
Ad Hoc Mode

"Ad Hoc Mode" refers to a wireless network architecture where wireless network connectivity between multiple computers is established without a central wireless network device, typically known as Access Point(s). Connectivity is accomplished using only client devices in a peer-to-peer fashion. That is why Ad Hoc networks are also known as peer-to-peer networks. Ad Hoc networks are an easy and inexpensive method for establishing network connectivity between multiple computers. Ad Hoc mode requires that the SSID, network authentication, and encryption key settings are identically configured on all computers in the Ad Hoc network.



Access Point (Infrastructure) Mode

Infrastructure mode refers to a wireless network architecture in which devices communicate with wireless or wired network devices by communicating through an Access Point. In infrastructure mode, wireless devices can communicate with each other or with a wired network. Corporate wireless networks operate in infrastructure mode because they require access to the WLAN in order to access services, devices, and computers (e.g., file servers, printers, databases).



* = An optional hub for a wired LAN may be required depending upon the type of access point used.

** = ADSL modem, cable modem, or similar

How to Handle This Device

The WLAN device is an optional device that may come pre-installed in your mobile computer. Under normal circumstances, it should not be necessary for you to remove or re-install it. The Operating System that your mobile computer comes with has been pre-configured to support the WLAN device.

- Integrated Intel Centrino wireless LAN devices support IEEE802.11a, IEEE802.11b, IEEE802.11g, and IEEE802.11n.
- The WLAN device operates in the 2.4 GHz ISM band and the 5 GHz lower, middle, and upper UNII bands.
- Microwave ovens may interfere with the operation of WLAN devices since they operate in the same 2.4 GHz frequency range as IEEE802.11b/g/n devices. Interference by microwaves does not occur with IEEE802.11a radio which operates in the 5 GHz RF band.
- Wireless devices that transmit in the 2.4 GHz range may interfere with operation of WLAN devices in IEEE802.11b/g/n modes. Symptoms of interference include reduced throughput, intermittent disconnects, and many frame errors. It is HIGHLY recommended that these interfering devices be powered off to ensure proper operation of the WLAN device.

Deactivating/Disconnecting the WLAN Device

Disconnecting the WLAN device may be desired in certain circumstances (to extend battery life) or where certain environments require it (i.e. hospitals, clinics, airplanes, etc.). The WLAN device can be disconnected in Windows using the WLAN icon in the system tray (Note that disconnecting via the icon in the system tray does not turn off the radio; it continues to transmit and receive even though it's not connected.)

The radio components are switched on and off using the appropriate functions of the operating system.

- ▶ To switch radio components on and off individually, select *Settings – Change PC settings – Wireless – Wireless devices – Off*.

Configuring the Wireless LAN

The optional WLAN device can be configured to establish wireless network connectivity using the software that is built into Windows. Support for most industry standard security solutions is contained in this software.

Pre-defined parameters will be required for this procedure. Please consult with your network administrator for these parameters:

Connection to the network

After you have configured your computer, you can connect to an active network by performing the following steps:

1. Click on the *WLAN* icon in the system tray.
2. Select *Connect to a network*.
3. Select a network from the list that appears, and click the *Connect* button.

Troubleshooting the WLAN

Causes and countermeasures for troubles you may encounter while using your wireless LAN are described in the following table.

Problem	Possible Cause	Possible Solution
Unavailable network connection	Incorrect network name (SSID) or network key	<p>Ad hoc connection: verify that the network names (SSID's) and network keys (WEP) of all computers to be connected have been configured correctly. SSID's and WEP key values must be identical on each machine.</p> <p>Access Point (Infrastructure) connection: set the network name (SSID) and network key to the same values as those of the access point.</p> <p>Set the Network Authentication value identically to that of the Access Point. Please consult your network administrator for this value, if necessary.</p>
	Weak received signal strength and/or link quality	<p>Ad hoc connection: Retry connection after shortening the distance to the destination computer or removing any obstacles for better sight.</p> <p>Access Point (Infrastructure) connection: Retry connection after shortening the distance to the access point or removing any obstacles for better sight.</p>

Problem	Possible Cause	Possible Solution
Unavailable network connection (continued)	The WLAN device was deactivated or is disabled	Check if the wireless switch is turned On. Go to <i>Start > Control Panel</i> , and doubleclick on <i>Windows Mobility Center</i> . If the wireless network is off, click the <i>Turn wireless on</i> button.
	The computer to be connected is turned off	Check if the computer to be connected is turned ON.
	Incorrectly configured network settings	Recheck the configuration of your network settings.
	RF interference from Access Points or other wireless networks	The use of identical or overlapping RF channels can cause interference with the operation of the WLAN device. Change the channel of your Access Point to a channel that does not overlap with the interfering device.
	Wireless network authentication has failed	Re-check your Network Authentication, Encryption, and Security settings. Incorrectly configured security settings such as an incorrectly typed WEP key, a mis-configured LEAP username, or an incorrectly chosen authentication method will cause the LAN device to associate but not authenticate to the wireless network.
	Incorrect IP address configuration	This only applies to networks using static IP addresses. Please contact your network administrator for the correct settings.

Image Backup and Recovery Procedures

Thank you for purchasing a Fujitsu computer. Fujitsu is committed to bringing you the best computing experience with your new system.

It is very important that you create DVD copies of your Recovery Image and Bootable Disk before beginning to use your system. To do so, follow the instructions in the “Creating a Backup of Bootable Disk and Recovery Image” section of this document.

It is also important that you create a copy of the software that is essential for your system to access the internet (hereafter called “essential access software”) to external writable media or an external drive. To do so, follow the instructions in the “Creating a Backup of the System-Specific Software Drivers”.

Creating a Backup of Bootable Disk and Recovery Image

When you purchased your new system, a copy of the recovery image was loaded into a hidden partition on your hard disk drive. Having a copy of the recovery image available to you means that in the event of system failure, you will be able to restore it and re-install the essential access software using Fujitsu Software Auto Installer.

To make a copy of the recovery image to DVD disks, you will need three or four blank disks to create the copy. After creating the copy, be sure to label the disks and keep them in a safe place to ensure they do not get damaged.



Note: If your system does not have an internal writable DVD drive, connect your system to an external drive* before beginning the following steps.

1. Launch *System Restore and Recovery* from the desktop icon. It will allow you to create the Bootable Disk and the Recovery Image Disk Set.
2. On “Step 1: Select the Bootable Disk from the list”:
 - a. Select a media type.
 - b. Notice the number of disks that are needed for the set.
 - c. Click *Next* to proceed.
3. On “Step 2: Confirm your Recovery Disk”, click *Next*.
4. On “Step 3:” follow the on-screen instructions to make the disk or disk set, then click *Start*. It takes approximately 20 minutes to make one disk.
5. On “Step 4”, when the disk creation is completed, a message appears. Click *Finish* to exit the program.
6. Repeat Step 1: Select *Recovery Disk* from the list and repeat the above steps 2(a), 2(b), 2(c), 3, 4 and 5.

* DEPENDING UPON YOUR OPTICAL DRIVE AND MEDIA FORMAT USED, SOME MEDIA TYPES MAY BE INCOMPATIBLE FOR CREATING IMAGE BACKUPS.

Creating a Backup of Essential Access Software

When you purchased your new system, a “Fujitsu Software Extractor” shortcut was loaded to “C:\Fujitsu\Drivers\AutoInstaller”. This shortcut allows you to save the software driver packages along with the extracted Auto Installer software package to a selected location. It is recommended that you save these packages to writable media or an external drive. This ensures that in the event of system failure you will be able to re-install the essential access software.

1. Open the C:\Fujitsu\Drivers\AutoInstaller\ folder
2. Run “Fujitsu Software Extractor” as an Administrator
 - a. Right-click on Fujitsu Software Extractor.
 - b. Select the “Run as Administrator” option from the menu that is displayed.
3. The default save location is C:\Fujitsu\ AutoInstaller\ Drivers\. You can change the location by clicking on the *Browse* button and selecting your preferred location.

Note: It is recommended that you change the default location and save the software packages to the external writable media or drive.

4. Click on the *Save Packages* button.
5. Fujitsu Software Extractor copies the zipped software packages and Readme files, and extracts the Auto Installer folder to the selected location.



Note: The extracted Auto Installer will later be used to install the software automatically on the system in the event of generic image restoration when the software is not pre-installed in the image.

RECOVER YOUR SYSTEM WHEN THE HARD DRIVE IS STILL ACCESSIBLE

Using the Recovery and Utility Tools

The Recovery and Utility tools consist of a variety of tools that will help you recover your recovery image and system images, and delete the data from your hard disk.

Methods for accessing the utilities

Recovery and Utility Tools are preinstalled in a hidden partition by the factory, or they can be accessed by using the bootable disk.



Note: The Recovery and Utility tools may be deleted from your hard disk drive if you modify the partitions. If that occurs, you will not be able to use the hidden partition for booting to Recovery and Utility Tools, but you will still be able to boot from the Bootable Disk.

Determining whether Recovery and Utility is pre-loaded

1. Turn on or reboot your system. When the Fujitsu logo appears, press the **[F12]** key.
2. Use the **[Tab]** key to get to the Application Menu.
3. Check whether the Recovery and Utility option is present. If it is not present, it means that the utility must be used from the Bootable Disk. Proceed to “Running Recovery and Utility from the Bootable Disk” if Recovery and Utility is unavailable.

Running Recovery and Utility from hard disk

1. Turn on or reboot your system. When the Fujitsu logo appears, press the **[F12]** key.
2. Use the **[Tab]** key to get to the Application Menu.
3. Cursor down to *Recovery and Utility* and press the **[Enter]** key.
4. Choose your language, if necessary. Select *Recovery and Utility* to proceed.
5. Three tool options appear: *Diagnostics*, *Recovery*, and *Utility* (refer to the Recovery and Utility tools section below for instructions on how to use these tools).
6. If this was successful please skip the next step and go to “Recovery and Utility tools.”
7. If this was NOT successful, please go to the next step.

Running Recovery and Utility from the Bootable disk

To verify/change the boot-up priority (rather than booting-up from the hard drive or an external media drive), perform the following steps:

1. Power on your system. When the Fujitsu logo appears on the screen, press the **[F12]** key.
2. Insert the bootable disk into the drive tray.
3. Highlight the CD/DVD option from the Boot menu, then press **[Enter]**.
4. Click *OK*.
5. Select CD/DVD boot mode: UEFI Mode, if applicable, and then press **[Enter]**.
While the files are being loaded from the disk, the Fujitsu logo screen will appear followed by a progress bar at the bottom of the screen.

Recovery and Utility tools



Note: Recovery and Utility tools may not be available on your system depending on the region from which the system was shipped.

Diagnostics tool: The Diagnostics tool is designed for use by IT professionals. It is not likely you will need to use this tool. If you should need to use this tool, perform the following steps:

1. Press the *Diagnostics Tool* button to start the Diagnostics tool.
2. Read the note, and then click *OK*.
3. Choose one or more of the following options for diagnostics on the Fujitsu Hardware Diagnostics Tool window: CPU, Memory, Display, Hard Disk, CD/DVD/BD, Floppy Disk, Keyboard, and Mouse.
4. Click the *Option* button in the Tool menu to specify how many times the tool should run diagnostics on each selected component.
5. Press *Execute* to start the Diagnostics tool.
6. After the execution is completed, the selected components are circled in red to indicate that they have been diagnosed and the result dialog window opens. Click *Close* to close the window.
7. Click *End* to close the Diagnostics tool, and then click *Yes* to confirm the end of diagnostics session.

Recovery tool: The Recovery tool contains two options:

- Restore C Drive: Restore recovery image (only C: drive)
- Restore Full Hard Drive: Restore recovery image (full hard drive).

You can use these tools to restore the Recovery Image from the hidden partition, and perform a full hard drive recovery. Please refer to instructions above for details on how to create a Recovery Image.

Restore the Recovery Image from Hidden Partition

1. Click [Restore C: drive] from Recovery and Utility tools
2. The progress bar is followed by “Restore Recovery image (only C: drive)” screen confirming that the Image will be restored to the C: drive. Click *Next*.
3. Read the instruction screen and select *Agree*, then click *Next*.
4. Click *OK* to acknowledge the warning message to restore recovery image to the C: drive.
5. When the progress bar appears, wait for the process to complete.
6. Click *Finish* when the process completes; the computer will restart to Windows.
7. Follow the steps listed in the “Auto Installation support for software packages from hidden partition” section.
8. Download FSDM (Fujitsu Software Download Manager) from the support site and download all the software applicable to the model and OS using FSDM.
9. Follow the steps listed in “Auto Installation support for software packages downloaded from support website” section.

RECOVER YOUR SYSTEM WHEN THE HARD DRIVE IS NOT BOOTABLE

Restore the Recovery Image for Full Hard Drive

Follow the steps in the “Recovering your Recovery Image using Recovery and Utility (for new hard drive or non-bootable hard drive)” section. You will need the Bootable Disk and the Recovery Disk Set for this task.

Utility tool: If applicable for your region, the Utility tool contains two options: Hard Disk Data Delete and Partition Creation.

The Hard Disk Data Delete utility is used to delete all data on the hard disk and prevent the data from being reused.



NOTE: Do not use the Hard Disk Data Delete utility unless you are absolutely certain that you want to erase your entire hard disk, including all partitions.

To delete hard disk data:

1. Click the *Hard Disk Data Delete* button. The progress bar appears, followed by the EULA screen.
2. Agree to the EULA and click *Next*.
3. Choose the hard disk from which the data should be deleted in the list of hard disks and click *Next*.

The Partition Creation utility is used to change the C: and D: drive partition sizes.

To run this utility: (This is not an option when using Windows 7.)

1. Click the *Partition Creation* button.
2. A progress bar appears, followed by the EULA screen. Agree to the EULA.
3. On the *Recovery Tool - Partition Creation* screen, move the slider to set disk size, and then click *OK*.
4. Click *Yes* in the *Partition Creation* confirmation dialog.



WARNING: It is highly recommended that you send your product to Fujitsu Service to replace a hard drive. A mistake could possibly destroy your computer, your new hard drive or both.

Recovering Your Recovery Image Using Recovery and Utility (for new hard drive or non-bootable hard drive)

If you have installed a new hard drive or your hard drive is not bootable, perform the following steps.



Note: You will need the Bootable disk and Recovery Image disk set for this recovery.

1. Power on your system. When the Fujitsu logo appears on the screen, press the **Enter** key.
2. Insert the bootable disk in your DVD drive, then click *OK*.
3. Highlight the CD/DVD option from the Boot Menu and press **Enter**.
4. Select CD/DVD boot mode: Select *UEFI Mode*, if applicable and press **Enter**. While the files are being loaded from the disk, the Fujitsu logo screen appears followed by a progress bar at the bottom of the screen.
5. Choose your language, if necessary.
6. Three tool options appear: *Diagnostics*, *Recovery* and *Utility*. Select *Recovery*.
 - For Windows 8.1: Select *Restore full hard drive*
 - For Windows 7: Select *Restoring the Factory Image (full hard drive recovery)*
7. Click *Next* to confirm full hard drive restoration. All data on HDD will be deleted.
8. Agree to EULA by selecting *Agree* option and clicking *Next*.
9. Click *Next* on the Recovery Disk Check screen to verify that the bootable disk has been inserted into the optical drive.
10. The *Checking for Recovery Disk* screen appears followed by the prompt to insert the first disk. Click *OK* to continue. Repeat this step for all disks. After all recovery disks have been checked and the check has been completed, click *Next*.
11. Follow the prompt to reinsert the first recovery disk and click *Next*.
12. Click *OK* when you receive the final warning informing you that all data on drive C will be lost. This starts the recovery process.
13. Follow the prompts to insert the next recovery disks and click *OK*.
14. After the copying of the image to the HDD completes the restore process is complete, click *Finish* to restart the system. The computer will restart automatically and then go through the first boot process.
15. Follow the steps listed in "Auto Installation support for essential access software from backup location" section.
16. Download FSDM (Fujitsu Software Download Manager) from support site and download all the software applicable to the model and OS using FSDM.
17. Follow the steps listed in "Auto Installation support for essential access software downloaded from support website."

Installing the Software after the Recovery Image is Restored

Auto-installation support for essential access software from hidden partition

The below listed steps are applicable only in cases in which the recovery image restore and hidden partition contents have not been wiped out.

1. After the recovery image is restored, launch the desktop icon "Fujitsu Software Auto Installer".
2. Double-click on "Fujitsu Software Auto Installer" desktop icon.
3. Click *Yes* on User Account Control Dialog box. This will take some time to process the software packages. A message will be displayed during this time, "Please wait while the content is being processed".
4. If EULA is displayed for Fujitsu Software Auto Installer, accept the EULA, otherwise continue.
5. Then Fujitsu Software Auto Installer user interface will be launched providing ability to auto-install the essential access software on the system.
6. It is recommended that you install all the software in the listed order. You can *Select All*, to install the software in the order listed.
7. Click *Install* to start the installation.
8. After installing all the selected drivers, Installation Results window will be displayed. Click *OK*.
9. "You must restart the system for the settings to take effect. Do you wish to reboot now?" message appears. Select *Yes*.
10. The system will now reboot.
11. You can now connect to the internet and download FSDM (Fujitsu Software Download Manager) from the support site and download all the software applicable to the model and OS using FSDM if they are not downloaded yet.

Auto-installation support for essential access software from backup location

The below listed steps are applicable in cases in which a backup copy was created as mentioned in the section “Creating a Backup of essential access software”.

1. It is important to have the extracted Auto installer software package folder and Readme file in the same location as other software folders. Otherwise auto-installation of the software will not be supported.
2. Inside the Auto Installer software package, launch FjAutoinstall.exe as an Administrator.
3. Click *Yes* on the User Account Control dialog box. This will take some time to process the software packages. A message will be displayed during this time stating, “Please wait while the content is being processed”.
4. If EULA is displayed for Fujitsu Software Auto Installer, accept the EULA, otherwise continue.
5. The Fujitsu Software Auto Installer user interface will be launched providing ability to auto install the essential access software on the system.
6. It is recommended that you install all the software in the listed order. You can “Select All”, to install the software in the order listed.
7. Click the *Install* button to start the installation.
8. After installing all the selected drivers, *Installation Results* window is displayed. Click *OK*.
9. “You must restart the system for the settings to take effect. Do you wish to reboot now?” message appears. Select *Yes*.
10. The system will now reboot.

Auto Installation support for the software downloaded from support website

1. Download FSDM (Fujitsu Software Download Manager) from the support site and download all the drivers applicable to the model and OS using FSDM if they are not downloaded yet.
2. When the software packages are downloaded from web, it is important to download the Auto Installer Software package and the model/language- specific Readme file if you prefer to auto install the software.
3. It is important to have the extracted Auto Installer software package folder and Readme file in the same location as other software folders. Otherwise auto-installation of the software will not be supported.
4. Inside the Auto Installer software package, launch FjAutoinstall.exe as administrator.
5. Click *Yes* on the User Account Control dialog box. This will take some time to process the software packages. A message will be displayed during this time stating “Please wait while the content is being processed”.
6. If EULA is displayed for Fujitsu Software Auto Installer, accept the EULA, otherwise continue.
7. The Fujitsu Software Auto Installer user interface will be launched providing the ability to auto install the software downloaded from support site.
8. It is recommended that you install all the software in the listed order. You can *Select All*, to install the software in the order listed.
9. Click the *Install* button to start the installation.
10. After installing all the selected drivers, the Installation Results window is displayed. Click *OK*.
11. “You must restart the system for the settings to take effect. Do you wish to reboot now?” message appears. Select *Yes*.
12. The system will now reboot.

Downloading Driver Updates

To ensure that you always have the most current driver updates related to your system, you should occasionally access the Fujitsu Software Download Manager (FSDM) utility. The FSDM utility is available from the Fujitsu Support site. FSDM will allow you to view and download a list of the most current drivers, utilities, and applications to determine whether you have the latest versions. To download the FSDM Utility, go to the Support Site: ["http://support.fujitsupc.com/CS/Portal/support.do?srch=DOWNLOADS"](http://support.fujitsupc.com/CS/Portal/support.do?srch=DOWNLOADS).

If you are planning on downgrading, upgrading or changing versions of your operating system during this process please see the User's Guide for more information at ["http://solutions.us.fujitsu.com"](http://solutions.us.fujitsu.com).

Index

A

- AC adapter
 - connecting 20
 - Set up 19
- Acoustic warnings 91
- Anti-theft protection 70
- Audio connections 80

B

- Battery 38, 55
 - battery charge 39
 - Caring for and maintaining 38
 - charge level 38
 - Charging 38
 - Discharges too quickly 89
 - see Rechargeable battery 38, 55
 - Service life 38, 55
- battery charge meter 38
- before you travel 16
- BIOS Setup Utility
 - , protecting with password 71
 - calling 81
 - exiting 83
 - operation 82
 - Settings 81
- Bluetooth, Safety notes 15
- Bonus Apps 22

C

- Charging back-up battery 85
- Choose a location 19
- Cleaning 17
- Configuration, BIOS Setup Utility 81
- Configuring hardware 81
- Configuring system 81
- Connecting audio devices 80
- Connecting headphones 80
- Connecting microphone 80
- Crystal View screen
 - cleaning 17

D

- dark touchscreen 86
- Date not correct 85
- Declarations of conformity 102
- Display orientation
 - select 28
- DOC (INDUSTRY CANADA) NOTICES 99

E

- Ending
 - energy saving mode 88
- Energy
 - Energy consumption 39
 - Energy saving 15
 - Energy saving functions 39
- Error messages on the screen 91
- Errors
 - Acoustic warnings 91
 - Screen messages 91
- Ethernet LAN 45

F

- Fault
 - Elimination 84
- Fingerprint sensor 67
 - configuring 67
- First-time setup 18

G

- Getting started 18
- GPS 45

H

- HDMI port 77–78

I

- Important notes 14
- Incorrect time 85
- Information,
 - safety 14
- Instructions
 - Cleaning 17

K

- Keyboard
 - cleaning 17
- Keyboard docking station
 - Connecting a Tablet PC 53
 - Ports 51

L

- Landscape format
 - display 28

M

- Making ready to use 20
- Memory card
 - handling 40
 - inserting 40
 - removing 41
- Mobile operation 16
- Monitor
 - connection 78
 - no image 87
 - remains blank 87
 - unstable image 87
- Monitor connection
 - see VGA port 78

N

- Notes 14
 - disposal / recycling 99
 - Energy saving 15
 - touchscreen 27
 - Transport 16

O

- Operating system
 - activating system protection 72
 - cancel system protection 72
 - Protecting with password 72

P

- Packaging 18
- Palm vein sensor 68
 - setting up 68
- Password
 - changing 71
 - entering 71
 - removing 72
- Password protection 70
 - hard disk 73
- Pen 34
- Performance docking cradle 47
 - Connecting a Tablet PC 48
- Portrait format
 - display 28
- Ports 47
 - Keyboard docking station 51
- Power saving 15
- Power-on Power-on indicator 25
- Printer does not print 89
- Problem solving 84

R

- Rechargeable battery
 - see battery 38, 55

S

- Safety information 14
- Screen connection
 - see VGA port 78
- Security functions 66
 - SmartCard 74
 - SystemLock 74
- Security Lock
 - Anti-theft protection 70
 - using 70
- Service life, battery 38, 55
- Set up
 - Device 19
- Setup
 - see BIOS Setup Utility 81
- Slot
 - Memory cards 40
- Status indicators 23
- Summer time 85
- Supervisor password
 - change 71
 - entering 71
 - removing 72
- Suspend/Resume button 25
- Switching off the
 - Tablet PC 26
- Switching on for the first time 21
- Symbols
 - Indicators 23
- System settings, BIOS Setup Utility 81

T

- Tablet
 - operating 23
- Tablet PC
 - cannot be started 88
 - cleaning 17
 - doesn't work 88
 - transporting 16
- Tablet, operation 23
- Tablet: Switching on 25
- Technical data
 - AC adapter 96–97
- The wireless connection to a network
 - does not work 89
- Time not correct 85
- Tips 84

Touchpad
 cleaning 17

Touchscreen
 cleaning 17
 difficult to read 86
 notes 27
 reflected glare 86
 remains dark 86

TPM 76

Transport
 Damage during transportation 18

Transportation 16

Travel 16

Troubleshooting 84

Trusted Platform Module 76

U
USB ports 79

User password
 change 71
 entering 71
 removing 72

V
VGA port 78

W
Webcam 37
Winter time 85
Wireless components
 Safety notes 15
Wireless LAN
 Safety notes 15
Wrong date/time 85