

answers²

EasyGuide

Pocket LOOX 610

English



FUJITSU COMPUTERS
SIEMENS

Are there ...

... any technical problems or other questions which you would like to be clarified?

Please contact:

- your sales partner
- your sales outlet

Further information can be found in the "Safety and Ergonomics" and "Warranty" manuals.

The latest information on our products, tips, updates, etc., can be found on the internet under:

<http://www.fujitsu-siemens.com>

Published by
Fujitsu Siemens Computers GmbH
Order No.: **A26391-K139-Z120-1-7619**
Printed in the Federal Republic of Germany
AG 0803 08/03

Pocket LOOX 610

May I introduce myself?

Technical data

Information before you start

Index

Software overview

Operating pocket LOOX 610

Pocket LOOX 610 in mobile use

FSC SpeedMenu

Configuring Pocket LOOX 610

Connecting and networking Pocket LOOX 610 with other devices

Accessories and additional components

Troubleshooting and tips

August 2003 edition

Adobe and Acrobat are trademarks of Adobe systems Incorporated and may be protected in certain countries.

Intel is a registered trademark, XScale is trademark of Intel Corporation, USA.

Microsoft, MS, Microsoft Pocket PC 2003 and Microsoft Windows for Pocket PC are registered trademarks of Microsoft Corporation.

The BLUETOOTH trademarks are the property of BLUETOOTH SIG, Inc., U.S.A. licensed for Fujitsu Siemens Computers GmbH.

All other trademarks referenced are trademarks or registered trademarks of their respective owners, whose protected rights are acknowledged.

Copyright © Fujitsu Siemens Computers GmbH 2003

All rights, including rights of translation, reproduction by printing, copying or similar methods, in part or in whole, are reserved.

Offenders will be liable for damages.

All rights, including rights created by patent grant or registration of a utility model or design, are reserved.

Delivery subject to availability. Right of technical modification reserved.

Contents

May I introduce myself?	1
Information before you start	3
To make things clear	3
Important notes.....	4
Safety notes	4
Energy saving.....	5
Disposal and recycling.....	5
CE markings.....	5
Battery storage	6
Cleaning Pocket LOOX 610.....	6
Software overview	7
Operating pocket LOOX 610	9
Overview of operating elements and connections.....	10
Initial start-up.....	11
Removing stylus from Pocket PC	12
Actuate full reset switch	12
Installing the battery.....	13
Connecting the power adapter	14
Starting Pocket LOOX 610 the first time	15
Switching Pocket PC off and on.....	16
Switch on and off in Suspend mode.....	16
Switching on and off with soft reset (warm boot).....	17
Switching on and off with Full Reset switch	17
Using standard operating elements	21
Using stylus	21
Using navigation key.....	21
Using the arrow keys	22
Using the application buttons	23
Adjusting display lighting	23
Making sound recordings.....	24
Using the cradle.....	25
Selecting location for cradle	25
Adjusting the locking catch	26
Charging battery in cradle	27
Using cradle for data synchronisation	27
Synchronising data with ActiveSync	28
Installing ActiveSync.....	28
Connecting Pocket PC directly to ActiveSync cable	28
Establishing an ActiveSync partnership	28
Backing up data with FSC Backup.....	29
Backup	29
Restoring	30
Panning instead of scrolling with FSC Panning.....	30
Inserting and removing expansion cards.....	31
Inserting CompactFlash expansion card	31
Inserting SD/MMC expansion card	33
Removing CompactFlash expansion card.....	34
Removing SD/MMC expansion card	35

Pocket LOOX 610 in mobile use	37
Using battery.....	37
Charging the battery.....	37
Optimising battery performance.....	38
Checking battery charge level.....	38
Information on transport and travelling.....	39
Transporting Pocket LOOX 610.....	39
Information on travelling.....	39
FSC SpeedMenu - Operating pocket LOOX 610 quickly with one hand	41
Operating FSC SpeedMenu.....	41
Programme structure.....	42
Main and quick menu.....	42
Editing FSC SpeedMenu.....	44
Tips and tricks.....	45
Configuring Pocket LOOX 610	47
Optimising energy management.....	47
General information on energy management.....	47
Displaying battery status.....	47
Using energy-saving functions.....	48
Configuring hardware buttons.....	50
FSC KeyLock: preventing switch-on via application buttons.....	50
Assigning chosen functions to the hardware buttons.....	50
Adjusting menus.....	51
Using security functions.....	51
Password protection under Pocket PC 2003.....	51
Changing time.....	52
Using alarm functions.....	53
Connecting and networking Pocket LOOX 610 with other devices	55
Safety precautions when using radio components.....	55
Wireless data transfer with infrared interface.....	56
Wireless communication with BLUETOOTH (optional).....	56
Selecting location for BLUETOOTH operation.....	57
Activating and deactivating BLUETOOTH.....	57
Wireless connection via Wireless LAN (optional).....	57
Accessories and additional components	59
Troubleshooting and tips	61
Installing new software.....	61
Date or time of the Pocket PC is incorrect.....	61
The display of the Pocket PC remains dark.....	61
The information on the display of the Pocket PC is difficult to read.....	61
The Pocket PC switches off.....	62
The Pocket PC does not start after switch on.....	62
The Pocket PC stops working.....	63
The battery discharges too quickly.....	66
The Suspend button does not respond properly.....	67
No sound or minimal volume.....	67
Contact with hotline/help desk.....	67

Technical data	69
Pocket LOOX 610.....	69
Battery.....	70
Power adapter.....	70
Index	71

May I introduce myself?

My name is Pocket LOOX 610. I am part of the Pocket PC family, also called handhelds.

I'm sure you've already noticed that I'm flat, handy and light-weight. Now I'd like to draw your attention to my extensive, diverse capabilities.

I am equipped with the Office applications *MS-Word*, *Excel* and *Outlook* - naturally all in the Pocket version. In *Outlook* you can not only receive and send e-mails, you can also manage your appointments and let me remind you of the things you have to do. Of course, you can also enter your address list in me so that you can access names (e-mail) addresses and telephone numbers when you're on the go. You can enter notes in me in writing or verbally as with a dictaphone.

Memory cards, which you can buy in various sizes, ensure that I can also reliably hold and retain large amounts of data.

In the office you can then effortlessly transfer all your data and newly created documents to your notebook or PC. To do this, just insert me in my cradle, install *ActiveSync* on your PC and you're ready to synchronise your data. In addition, a short stay in the cradle also gives me new power, as my battery will be charged while I'm there. If you don't have your cradle at hand, for example in a hotel room, it doesn't matter. You can synchronise your data using the *ActiveSync* cable via the infrared interface or with *BLUETOOTH*, and you can charge my battery with the power adapter.

And since life isn't all work and no play, I offer you additional functions as well. You can read your favourite book quite comfortably on my display or use me as an MP3 player. Insert the memory card of your digital camera in the suitable card slot and you can view the photos you just took on my display.

Have you already noticed that I provide you with two slots? You can use different cards at the same time. And how about the combination memory card and GSM/GPRS CompactFlash card? Or you can combine two memory cards for maximum memory capacity.

With *BLUETOOTH*, the infrared interface and the integrated Wireless LAN (depending on the model), you can also connect to other devices in your office and on the go without bothersome cables. For example, thanks to *BLUETOOTH* you can take me into the Internet without cables with your *BLUETOOTH*-capable cell phone. Naturally, I also have the *Pocket Internet Explorer* ready for you. With it you can visit both websites and WAP sites.

Incidentally, if you install a GSM/GPRS CompactFlash card in me I am completely autonomous when it comes to Internet and data connections: send your emails, carry out research in the net or synchronise your data (e.g. via *XTND Connect*), regardless of where you are at the moment.

For long hours far from a power connection and cradle, I can warmly recommend the Main Battery XL (also available as an accessory). In conjunction with the Main Battery XL, I can offer you up to 24 hours of battery runtime, depending on your preferred applications.

May I introduce myself?

But whether with or without accessories, you'll notice I'm fully willing and able to help you in a wide variety of situations. Thanks to the *FSC SpeedMenu* and the corresponding keys you can also operate me with one hand. Test my diversity! - This manual will help you do that!

The following documentation contains additional information on your Pocket PC and the *Pocket PC 2003* operating system:

- in the manuals "Safety and Ergonomics" and "Warranty"
- in the "Getting Started" manual
- in the help on your Pocket LOOX.

Information before you start

To make things clear

The following symbols are used in this manual:



Pay particular attention to texts marked with this symbol. Failure to observe this warning may endanger your life, destroy the system, or lead to loss of data. Failure to follow the instructions may lead to loss of data, invalidate your warranty, destroy the Pocket PC, or endanger your life.



Indicates important information which is required to use the system properly.

► Text which follows this symbol describes activities that must be performed in the order shown.

`This font` indicates screen outputs.

This font indicates programme names, commands, or menu items.

"Quotation marks" indicate names of chapters, data carriers, and terms that are being emphasised.

Important notes

This chapter contains information on the proper, safe use of your Pocket PC. Please be sure to observe the following safety precautions to prevent damage to your device, data loss or damage to your health. The information on saving energy, charging the battery and cleaning your Pocket PC are very important for proper operation of the Pocket LOOX 610. To protect the environment, we urgently ask that you observe the disposal and recycling information.

Keep this operating manual together with the device. If you pass on the device to a third party, please also pass on the operating manual.

Safety notes



Pay attention to the information provided in the "Safety and Ergonomics" and "Warranty" manuals and in the following security notes.

Observe the sections in the manual marked with the symbol on the left.

- The Pocket LOOX 610 is a technical device that contains small parts. Therefore, please keep your Pocket PC out of reach of children under 36 months of age.
- When setting up and before operating the device, observe the information on the environmental conditions in the "Operating pocket LOOX 610" and "Technical data" chapters, as well as the safety precautions in the "Safety and Ergonomics" and "Warranty" manuals.
- You may only operate the Pocket LOOX 610 with a power adapter if the nominal voltage of the power adapter (100 V to 240 V) matches the local mains voltage.
- When transporting and during trips, observe the safety precautions in the "Pocket LOOX 610 in mobile use" chapter.

This Pocket PC complies with the relevant safety regulations for data processing equipment. If you have questions as to whether you can set up the cradle and the Pocket PC in the intended environment, please contact your sales point or our hotline/help desk.

FCC 15.21 notes

This manufacture is not responsible for any radio or TV interference caused by unauthorized modification to this equipment. Such modification could void the user's authority to operate the equipment.

Energy saving

Switch off your Pocket PC with the Suspend key when you don't need it. In the System settings you can specify after how many minutes the Pocket PC switches off when it is not used (see the "Configuring Pocket LOOX 610" chapter).

While you are working, and if the ambient light conditions permit, you can reduce the display brightness or even switch off the display lighting completely. The Pocket LOOX 610 is equipped with a transfective display that reflects incident light and enables you to work even under unfavourable lighting conditions.

You can also specify the switching off and on again of the display lighting in the system settings of your Pocket PC (see the "Configuring Pocket LOOX 610" chapter).

If you use the energy saving functions, you can work with the Pocket PC longer before having to recharge the battery. We particularly recommend that you reduce the display brightness to effectively save energy and therefore appreciably increase the time you can work with the battery.

Disposal and recycling


The following applies for the Pocket PC itself and the Main Battery XL: batteries and accumulators do not belong in the household rubbish bin.

Our devices are mostly produced of materials that can be turned over for proper recycling. The device may be taken back after use to be recycled, provided that it is returned in a condition that is the result of normal use. Any components not reclaimed will be disposed of in an environmentally acceptable manner. To give back a device please take advantage of your country's disposal and recycling possibilities.

Further information about country-specific disposal and recycling possibilities can be found on the following website www.fujitsu-siemens.com/recycling.

If you have any questions on disposal, please contact your local office or our Help Desk.

CE markings

 The shipped version of this device complies with the requirements of the EC Guidelines 73/23/EEC.

This equipment complies with the requirements of Directive 1999/5/EC of the European Parliament and Commission from 9 March, 1999 governing Radio and Telecommunications Equipment and mutual recognition of conformity.

BLUETOOTH is approved for use in Austria, Belgium, Denmark, Germany, Finland, France, Greece, Great Britain, Ireland, Iceland, Italy, Liechtenstein, Luxembourg, the Netherlands, Norway, Portugal, Sweden, Switzerland and Spain.

To all customers:

If you are not sure whether the use of BLUETOOTH is permitted in your country, please contact the corresponding supervisory authorities.



The user is responsible for radio interference that may occur when operating the device.

Battery storage

Store the Pocket PC in a fully charged state. The Pocket PC should be stored in a dry area at a temperature between -20°C and +60°C. The lower the temperature at which the batteries are stored, the lower is the rate of self-discharge. Avoid leaving your Pocket PC lying in direct sunlight in a car.

If you want to store your Pocket PC unused for a longer time (longer than two months), charge the battery 100% beforehand. Please note that batteries discharge themselves over time. Therefore, recharge the battery of your Pocket PC at regular intervals during the storage period.

Cleaning Pocket LOOX 610

- ▶ Switch the Pocket PC off.
- ▶ Pull the power plug of the network adapter out of the mains outlet.



Do not clean any interior parts yourself; leave this job to a service technician.

Do not use any cleaning agents that contain abrasives or may corrode plastic.

Please ensure that no liquid enters the Pocket PC.

Wipe the casing with a dry cloth.

If it is very dirty, you can clean the casing and the display with a damp cloth.

Software overview

In the following table you see which programs are already installed on your Pocket PC and where you can find information on the use and operation of these programs.

Software	Used for	Operating information
PocketWord	For word processing	Help file on Pocket PC
PocketExcel	For spread-sheet functions	Help file on Pocket PC
PocketOutlook	Contacts/calendar//things to do	Help file on Pocket PC
<i>ActiveSync 3,7</i>	For data synchronisation	Help file on the notebook or PC on which you installed ActiveSync.
Pocket Internet Explorer	Browser for websites and WAP sites	Help file on Pocket PC
Microsoft Reader 2.0 for Pocket PC	For reading eBooks	Help file on Pocket PC
Microsoft Windows Media Player 9 for Pocket PC	For playing audio and video files	Help file on Pocket PC
MSN Messenger	For online communication	Help file on Pocket PC
FSC SpeedMenu	For fast file and program management; supports one-hand operation	EasyGuide on the "Pocket LOOX AddOn & Documentation" CD and help file on Pocket PC
BLUETOOTH connection software	For BLUETOOTH configuration and operation	Help file on Pocket PC
FSC Panning	For simple navigation in windows with extensive contents (panning instead of scrolling!)	Help file on Pocket PC
CONNECT2AIR	For quickly finding the Wireless LAN and BLUETOOTH functions	Help file on Pocket PC
Backup program <i>FSC Backup</i>	Partial and full data backup on external storage modules or in LOOXstore (if available)	Help file on Pocket PC
Registry backup	For backing up configuration settings	Help file on Pocket PC

Operating pocket LOOX 610

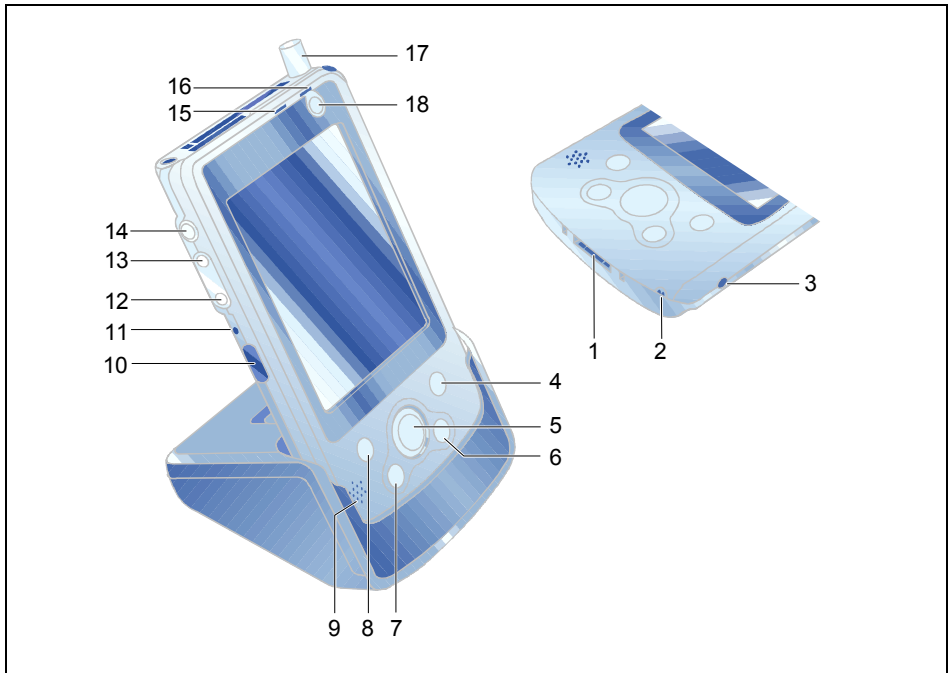
This chapter describes the operating elements of your Pocket PC and how you

- put the Pocket LOOX 610 into operation the first time
- switch the Pocket LOOX 610 on and off
- operate the Pocket LOOX 610 with the stylus
- operate the Pocket LOOX 610 with the navigation key
- operate the Pocket LOOX 610 with the scroll button
- switching the display lighting on and off
- Making sound recordings
- connecting the docking station
- synchronising data
- handling expansion cards



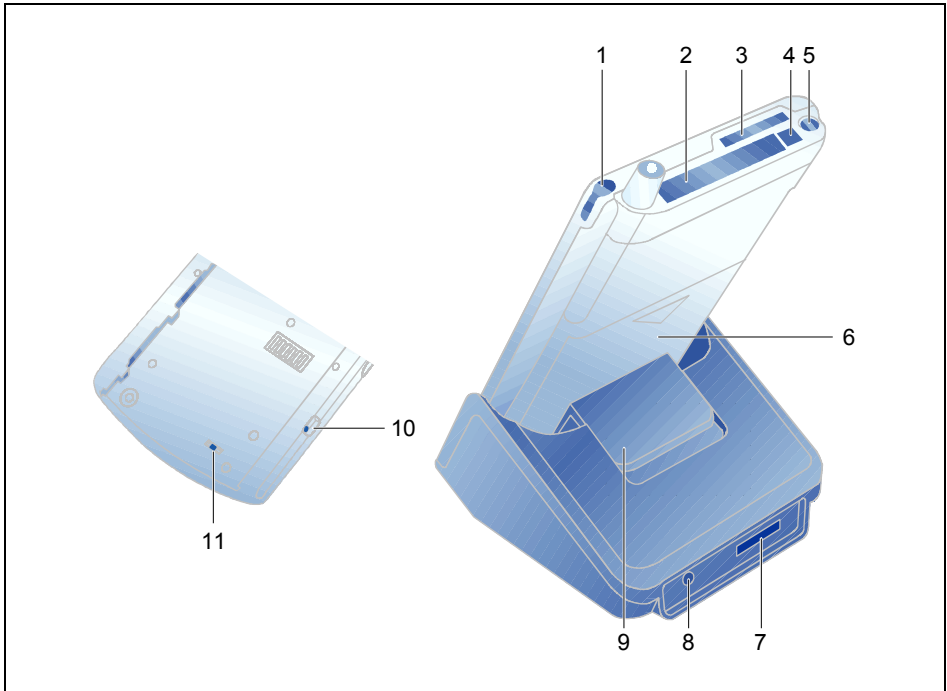
Please take note of the information in the "Important notes" chapter.

Overview of operating elements and connections



- 1 = Connection for ActiveSync cable and for cradle
- 2 = Microphone
- 3 = DC jack (DC IN)
- 4 = CONNECT2AIR application button
- 5 = Navigation key
- 6 = Today application button
- 7 = Contacts application button
- 8 = Calendar application button
- 9 = Loudspeakers

- 10 = Infrared interface
- 11 = Soft reset
- 12 = Lower arrow key
- 13 = Upper arrow key
- 14 = FSC Speed button
- 15 = LED (radio indicator)
- 16 = LED (power-on indicator)
- 17 = Antenna
- 18 = Suspend button



1 = Stylus

2 = Slot for expansion cards (CF Type I and II)

3 = Slot for expansion cards (SD)

4 = Eject button

5 = Headphones port

6 = Battery

7 = Connection for ActiveSync cable

8 = DC jack (DC IN)

9 = Locking catch

10 = Battery interlock

11 = Full Reset switch

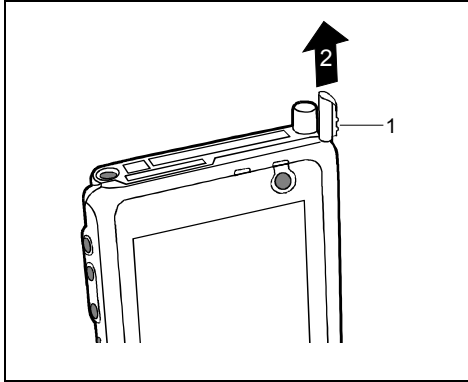
Initial start-up

Only a few steps are necessary to put your new Pocket PC into operation for the first time:

- Remove stylus from Pocket PC
- Carry out a full reset
- Install the battery
- Connecting the power adapter
- Carry out the initial start-up

You will learn more about the individual steps in the following sections.

Removing stylus from Pocket PC



- ▶ Use the ribbed surface (1) to slide the stylus slightly out.
- ▶ Pull out the stylus completely (2).

Actuate full reset switch

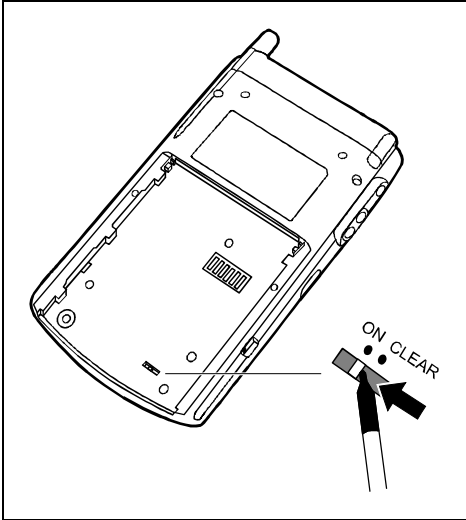
The first time you start your Pocket LOOX 610, you must actuate the full reset switch. The full reset switch is on the back of the Pocket LOOX and is covered by the battery during normal operation.



Only actuate the full reset switch during the initial start-up. To switch the Pocket PC on or off after the initial start-up, briefly press the Suspend button.

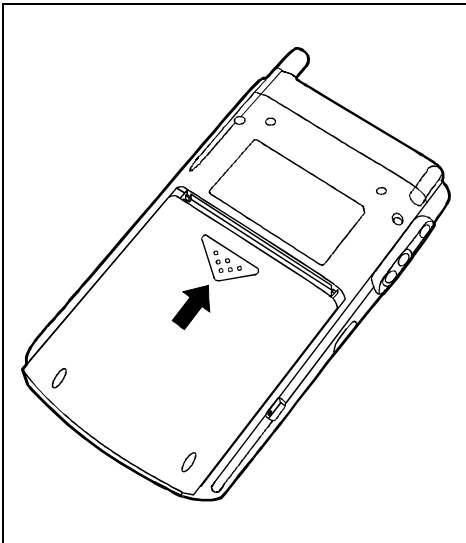
If the full reset switch is used to shut down the Pocket LOOX 610, this resets it back to the delivery state and the entire RAM contents are lost. This means you lose all data (documents, additionally installed programs, personal settings) that you haven't saved elsewhere.

Therefore, remember to make a regular data backup with synchronisation (see the "Synchronising data with ActiveSync" chapter) or on corresponding memory cards (available as an accessory). The *FSC Backup* program is provided on your Pocket LOOX 610 for completely backing up the RAM memory on memory cards (see the "Backing up data with FSC Backup" chapter).

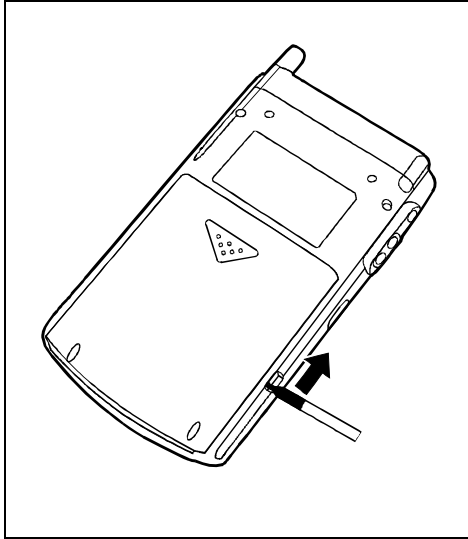


- ▶ Slide the switch to the left with the stylus.
Please note that your Pocket PC does not start up immediately after actuating the full reset switch, but rather a few seconds after installing the battery and connecting the mains power cable.

Installing the battery



- ▶ Install the battery as shown in the diagram and then slide it in the direction of the arrow until the edge of the battery is flush with the edge of the device.



- ▶ Slide the lock in the direction of the arrow with the stylus.

Connecting the power adapter

You can connect the power adapter directly to the Pocket PC at the DC socket.



In the following text the letters and numbers after the designations for the various cables refer to the illustration *Delivery scope* in your "Getting Started" manual (fold-out cover page). Please look there if you're not sure which cable is meant.

For information on how to connect the power adapter to the cradle, please read the "Using the cradle" chapter.

- ▶ Connect the power adapter cable (F) to the DC socket of the Pocket PC (27).
- ▶ Connect the power cable (F) into the power adapter (F).
- ▶ Plug the power cable (F) into a mains outlet.



The power cable supplied conforms to the requirements of the country in which you purchased your Pocket PC. Make sure that the power cable is approved for use in the country in which you intend to use it.

The power adapter's power cable should only be connected to a mains outlet if the Pocket PC is connected to the power adapter.

Do not use the power adapter for other devices.

Do not use a power adapter that is not specially intended for this Pocket PC.

Starting Pocket LOOX 610 the first time

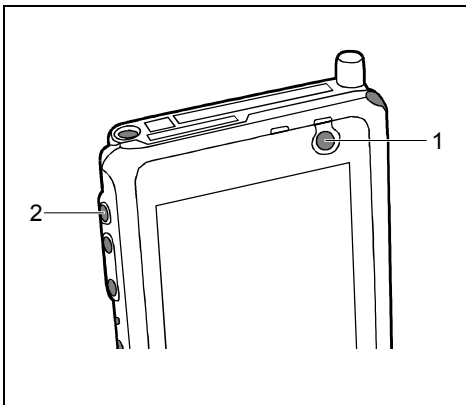
Adjusting touchscreen

The display of your Pocket PC is a touchscreen. To ensure that the touchscreen of your Pocket PC reacts correctly when touched with the stylus, you will be asked to align the touchscreen after the initial start-up.

Touch the centre of the cross hairs that appears on the display with the stylus. This procedure must be repeated several times, whereby the cross hairs appear at different locations on the display each time. Follow the instructions on the display.



To optimize the responsiveness of the touchscreen when touched with the stylus, you can also always realign the touchscreen. To view the screen described above, simultaneously press the Suspend button and the FSC Speed button.



- 1 = Suspend button
- 2 = FSC Speed button

Becoming familiar with basic operation

Next the *Microsoft Windows for Pocket PC* operating system provides a brief introduction to the operation of the Pocket PC with the stylus after the initial start-up.

- ▶ Follow the instructions on the display.

Setting the time zone

- ▶ Last, select the correct time zone for your current location from a list.

Today screen

Then the Today screen appears. The Today screen always appears when you switch on the Pocket LOOX 610 again after you have not used it for four or more hours. The Today screen shows all important current information at a glance. From this screen you have access to all programs and to the system settings.

Please also use the help function that is available on your Pocket LOOX if you want to know more about operating the programs contained in the Microsoft Pocket PC 2002 software.

Switching Pocket PC off and on

After the initial start-up, you usually switch the Pocket LOOX 610 into the Suspend mode when not in use. It is only practical or necessary to switch off the Pocket PC completely with the Full Reset switch. In the following sections we will first explain operation in the Suspend mode, and then the ability to restart the Pocket LOOX 610 with a soft or full reset.

Switch on and off in Suspend mode

Switching off with Suspend button

- ▶ Press the Suspend button (11) briefly to switch off the Pocket PC.



If you have specified a switch-off time with the system settings, your Pocket PC will automatically switch into the Suspend mode after this specified time.

There are two ways to switch on your Pocket PC:

Switching on with Suspend button

- ▶ Briefly press the Suspend button (11) to switch on the Pocket PC.

The application you have just been working on or the Today screen appears on the screen when you have not used your Pocket PC for at least four hours.

The application you were working on before you switched off the Pocket PC with the Suspend button appears on the screen. The Today screen appears if you switch on your Pocket PC again with the Suspend button after more than four hours.

Switching on with application buttons

By default, you can also switch your Pocket LOOX on by briefly pressing one of the application buttons (12, 14, 15, 16). The applications assigned to the respective button appears on the screen. The applications *CONNECT2AIR*, *Today*, *Contacts* and *Calendar* are preset. However, you can change the applications to be called up at any time according to your needs (see the "Configuring Pocket LOOX 610" chapter) so that your preferred program opens immediately at the press of a button.



By making the appropriate setting in *FSC KeyLock* (see chapter "Configuring Pocket LOOX 610"), you can also prevent the Pocket PC from being switched on when an application button is pressed.

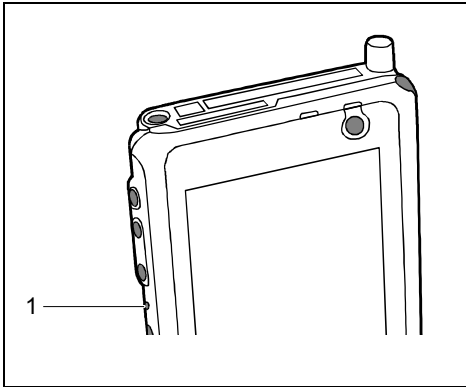
Switching on and off with soft reset (warm boot)

After certain applications or the installation of new programs, it may be necessary to restart the Pocket PC with the soft reset.



Data not yet saved in a file will be lost during this procedure. On the other hand, data in the RAM memory are retained.

- ▶ End all applications before you carry out a soft reset.



1 = Soft reset (warm start)

- ▶ Take the stylus, insert it in the opening (1) and press briefly.

The warm boot is carried out. The application you have just been working in appears on the display of your Pocket PC.

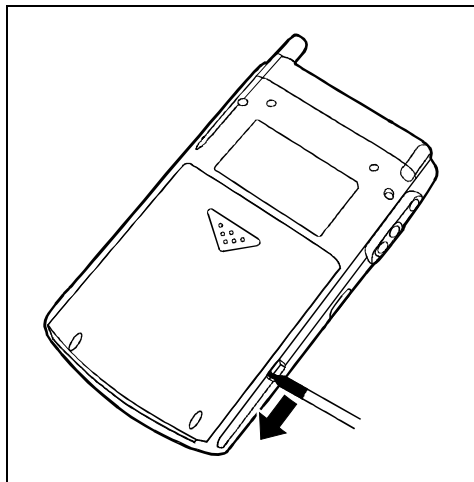
Switching on and off with Full Reset switch

If your Pocket PC does not continue operating and switching off and on with the Suspend button and the soft reset fail to function, you can reset your Pocket PC to the delivered state.

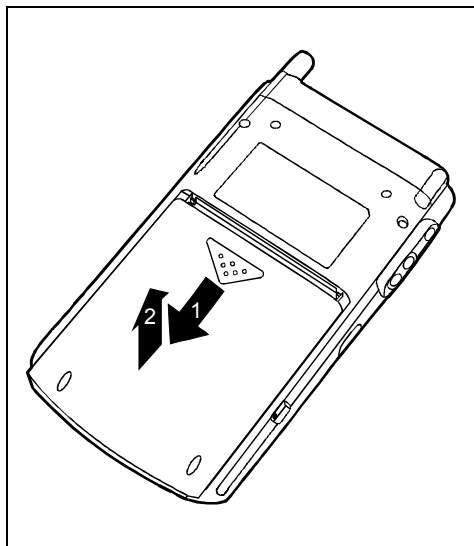


If the device is switched off with the Full Reset switch, the battery is switched off so that the RAM contents are lost. This means you lose all data (documents, additionally installed programs, personal settings) that you haven't saved elsewhere.

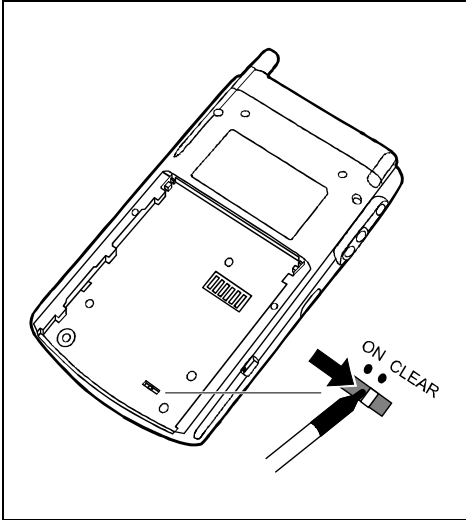
Therefore, remember to make a regular data backup with synchronisation (see the "Synchronising data with ActiveSync" chapter) or on corresponding memory cards (available as an accessory). The *FSC Backup* program is provided on your Pocket LOOX 610 for completely backing up the RAM memory on memory cards (see the "Backing up data with FSC Backup" chapter).



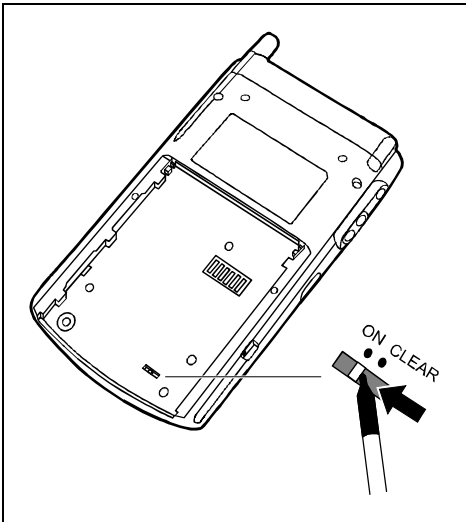
- ▶ Slide the lock in the direction of the arrow with the stylus.



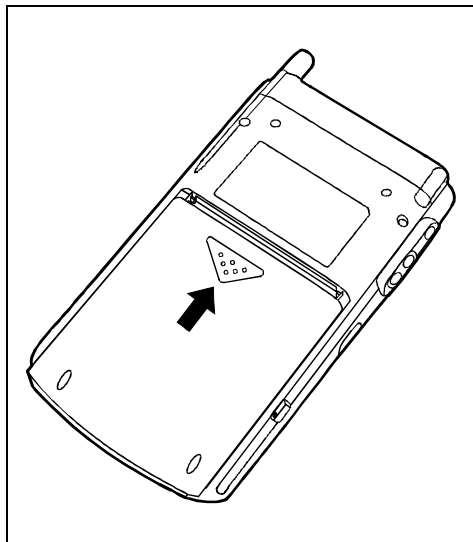
- ▶ Slide the battery slightly in the direction of the arrow (1).
- ▶ Lift out the battery upward in the direction of the arrow (2).



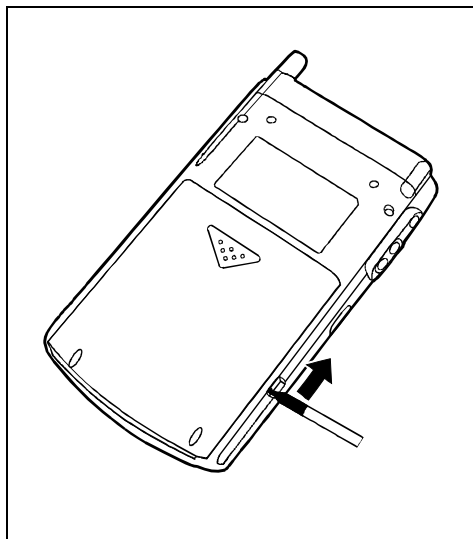
- ▶ Slide the Full Reset switch to the right with the stylus.



- ▶ After waiting a few moments, slide the Full Reset switch to the left with the stylus.
Please note that your Pocket PC does not start up immediately after actuating the full reset switch, but rather a few seconds after installing the battery and connecting the mains power cable.



- ▶ Install the battery as shown in the diagram and then slide it in the direction of the arrow until the edge of the battery is flush with the edge of the device.



- ▶ Slide the lock in the direction of the arrow with the stylus.



After approximately 10 seconds a picture appears on the display and a tone sounds.

Using standard operating elements

Using stylus

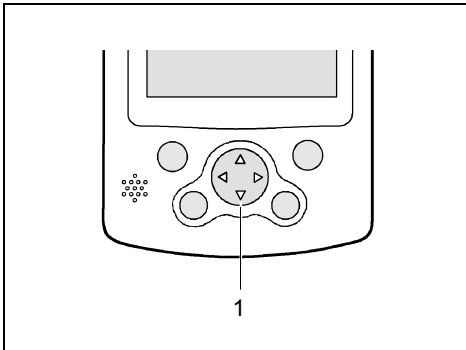
You require the stylus for making entries on the touchscreen, for menu selection and for similar tasks.

- ▶ Briefly touch the desired element on the display with the stylus to trigger an action.
- ▶ To activate popup menus, also touch the desired element with the stylus, however leave the stylus on the element for a moment: the popup menu appears and you can select an element by touching it.

Using navigation key

With the navigation key you scroll within the menus (up, down, to the left and right) and activate menu entries by pressing the centre of the navigation key.

The navigation key is also useful for one-hand operation with *FSC SpeedMenu*. More information on using the *FSC SpeedMenu* is contained in the "FSC SpeedMenu - Operating pocket LOOX 610 quickly with one hand" chapter.



1 = Navigation key

Selecting menu entry

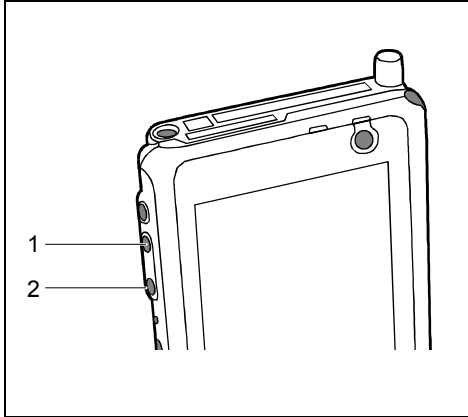
- ▶ Press the up arrow, the down arrow, the right arrow or the left arrow if you want to select a menu entry.

Activating

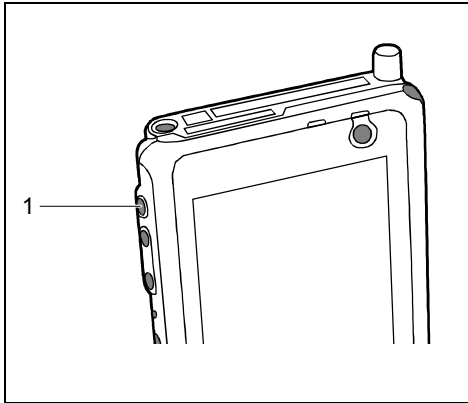
- ▶ Press the centre of the navigation key to activate a selected menu entry.

Using the arrow keys

With the two arrow keys you scroll up, down, forward or back within the menu. You activate menu entries by briefly pressing the FSC Speed button. The arrow keys are particularly useful for one-hand operation with *FSC SpeedMenu*. More information on using the *FSC SpeedMenu* is contained in the "FSC SpeedMenu - Operating pocket LOOX 610 quickly with one hand" chapter.

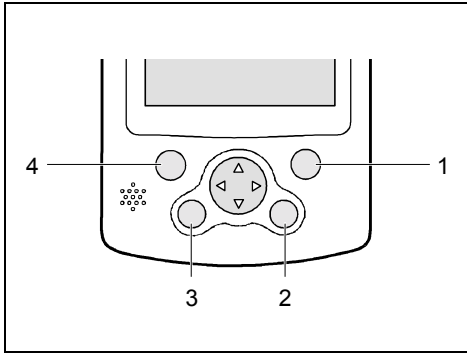


- ▶ Press the upper arrow key (1) to select an upper entry.
- ▶ Press the lower arrow key (2) to select a lower entry.



- ▶ Briefly press the FSC Speed button (1) to activate a selected entry.

Using the application buttons



- 1 = CONNECT2AIR
- 2 = Today
- 3 = Get Number
- 4 = (OOP) Calendar

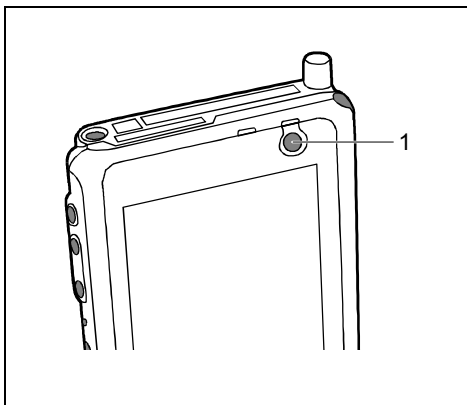
With the application buttons and the appropriate preset (see chapter "Configuring Pocket LOOX 610"), you can open your preferred programs and applications directly from suspend mode or from within an application.

Upon delivery, the applications *CONNECT2AIR*, *Contacts*, *Calendar* as well as *Today* are assigned to the four buttons. However, you can adapt the button assignment as you wish. Instructions on this procedure can be found in the "Configuring Pocket LOOX 610" chapter.

Because the application button react differently to short or long keystrokes you can assign a total of eight different programmes or applications to the application buttons.

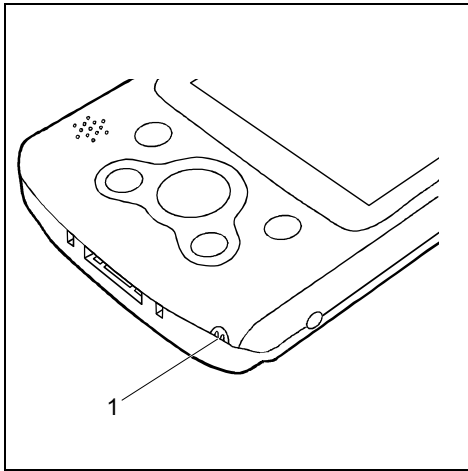
Adjusting display lighting

If the ambient light conditions permit, you can switch the display lighting off or reduce its brightness to save energy. You can also specify the switching off and on again of the display lighting in the system settings of your Pocket PC (see the "Configuring Pocket LOOX 610" chapter). In the system settings you can also adjust the brightness continuously.



- ▶ Press the Suspend button (1) for longer than 1 second to switch the display lighting on or off.

Making sound recordings



1 = Microphone

A microphone is integrated in your Pocket PC. You can record sound and speech in the *Notes* program. Speak into the internal microphone to do this.

Your recording is automatically saved under the name *Recording1*. To play back the recording, simply touch the file name in the list.

Using the cradle

The cradle fulfils two functions:

- Charging the batteries in the Pocket PC
- Data synchronisation between the Pocket PC and the PC/notebook

In the following sections you will learn what you should observe when setting up the cradle and when using the above functions.

Selecting location for cradle

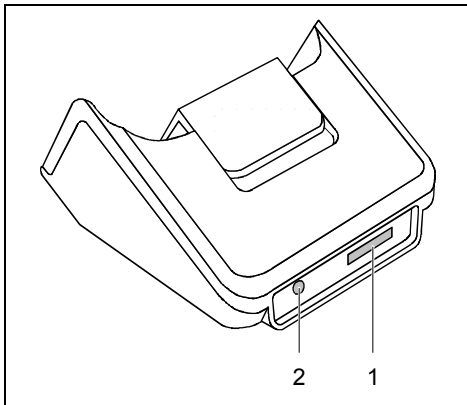
Place the cradle on a stable, flat and nonslippery surface. In view of the multitude of different finishes used on furniture, it is possible that the rubber feet of the Pocket PC will mark the surface they stand on.

Never place the power adapter on a heat-sensitive surface.

The cradle and the power adapter should be at least 200 mm apart.

Keep other objects 100 mm away from the cradle and its power adapter to ensure adequate ventilation.

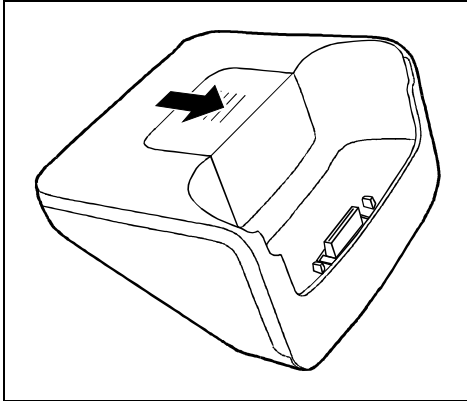
The Pocket PC and the cradle should not be subjected to extreme environmental conditions. Protect the Pocket LOOX 610 and cradle from dust, moisture and heat.



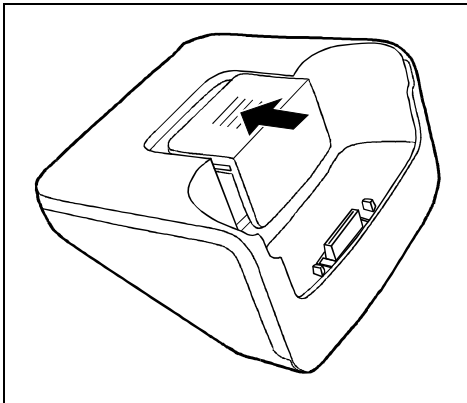
- 1 = Connection for the ActiveSync cable
2 = DC jack (DC IN)

Adjusting the locking catch

The docking station has an integrated locking catch that you can move to one of two positions. This ensures that your Pocket LOOX 610 retention is always optimum regardless of whether you connect it to the docking station with or without the Main Battery XL attached.



- ▶ Slide the locking catch in the direction of the arrow if you want to connect your Pocket LOOX to the docking station without a Main Battery XL attached.



- ▶ Slide the locking catch in the direction of the arrow if you want to connect your Pocket LOOX to the docking station with a Main Battery XL attached.

Charging battery in cradle



In the following text the letters and numbers after the designations for the various cables refer to the illustration *Delivery scope* in your "Getting Started" manual (fold-out cover page). Please look there if you're not sure which cable is meant.

- ▶ Connect the power adapter cable (F) to the DC socket (7) of the cradle (C).
- ▶ Connect the power cable (F) into the power adapter (F).
- ▶ Plug the power cable (F) into a mains outlet.
- ▶ Place the Pocket PC in the cradle (C).

Please take note of the information on the power adapter in the "Connecting the power adapter" chapter.

Using cradle for data synchronisation



In the following text the letters and numbers after the designations for the various cables refer to the illustration *Delivery scope* in your "Getting Started" manual (fold-out cover page). Please look there if you're not sure which cable is meant.

Please note that you have to install the program *ActiveSync* on your notebook/PC before you carry out the first data synchronisation between the Pocket LOOX 610 and notebook/PC. You will find more information on this in chapter "Synchronising data with ActiveSync".

- ▶ Connect the power adapter cable to the DC socket (7) of the cradle (C).
- ▶ Connect the power cable (F) into the power adapter (F).
- ▶ Connect the ActiveSync cable (E) to the connection for the ActiveSync cable (6).
- ▶ Connect the other end of the ActiveSync cable to the USB port of your notebook or PC.

A serial ActiveSync cable for connection to serial ports of notebooks/PCs is available as an accessory.

- ▶ Plug the power cable into a mains outlet.
- ▶ Switch your notebook or PC on.
- ▶ Place the Pocket PC in the cradle (C).

If you have already installed *ActiveSync* on your PC, you can now synchronise the data of your Pocket PC with the data on your PC.



You can always leave the connections between the cradle and power adapter, and between the cradle and your notebook or PC so that you only need to place your Pocket PC in the cradle to charge the battery and for data synchronisation.

You can also connect your Pocket PC directly to your notebook or PC with the ActiveSync cable.

You will find more information on data synchronisation in chapter "Synchronising data with ActiveSync" and in the help file on your Pocket LOOX.

Synchronising data with ActiveSync

To also have the current version of the data you have processed on the road on your Pocket PC available on your PC/notebook, you must copy these data to your PC/notebook. This procedure is conveniently enabled with so-called data synchronisation:

In the *ActiveSync* program you can specify that the respective latest version of a file be detected and then automatically updated on the respective data carrier - regardless of whether it is the Pocket PC or a PC/notebook.

You can synchronise your data between your Pocket PC and your notebook or PC via the cradle (see the "Using the cradle" chapter), using the ActiveSync cable or via infrared or BLUETOOTH.

Installing ActiveSync

The ActiveSync cable and the *ActiveSync* software are provided for data synchronisation. Using the ActiveSync cable you connect the cradle or the Pocket PC itself to your PC/notebook. The *ActiveSync* software enables you to carry out routine data synchronisation. *ActiveSync* is already installed on your Pocket PC. You need only install *ActiveSync* on your PC or notebook.

The *ActiveSync* program and the required drivers are contained on the "Microsoft Companion CD".

- ▶ Insert the "Microsoft Companion CD" in the CD-ROM drive of your PC or notebook.
- ▶ Click on the yellow arrow.
- ▶ Click on *Start here* and follow the instructions on the screen.

You will find information on how you synchronise data using *ActiveSync*, in the *ActiveSync* help file after installation on your notebook/PC.

Connecting Pocket PC directly to ActiveSync cable

- ▶ Connect the ActiveSync cable (E) to the connection for the ActiveSync cable (25).
- ▶ Connect the other end of the ActiveSync cable to the USB port of your notebook or PC.
A serial ActiveSync cable for connection to serial ports of notebooks/PCs is available as an accessory.

Establishing an ActiveSync partnership

Before the first data synchronisation you must establish a partnership between the Pocket LOOX 610 and your PC or notebook. The *ActiveSync Setup Wizard* will help you do this. After you have specified the desired and required settings for the synchronisation in the Wizard, the first synchronisation starts automatically.

You will find more detailed information on synchronising data with ActiveSync in the *ActiveSync* help file on your notebook/PC.

Backing up data with FSC Backup

The Pocket LOOX 610 saves your data such as appointments, addresses, things to do and notes, as well as all documents in the RAM memory of the device. These data are backed up to your PC during synchronisation with ActiveSync. However, to also make current data backups away from home or while on business trips, there is *FSC Backup*.

FSC Backup backs up an image of your Pocket PC main RAM onto SD (Secure Digital), MMC (MultiMediaCard) or CF (CompactFlash) memory cards or into the integrated storage area of the LOOXstore. If your Pocket PC has experienced a power failure and the data from the RAM memory have been deleted, then you can restore a data backup you have made with *FSC Backup*. This provides you with the data status at the time of the backup again within just a few minutes.

As *FSC Backup* backs up and restores the entire RAM memory of your device, the registry, which contains the configuration data of your device and any programs installed in the RAM memory, is also backed up.

FSC Backup also provides you with the option of backing up and restoring single databases such as contacts, calendar or tasks as well as your connection settings. You will find information as to how you proceed for this in the *FSC Backup* help file on your Pocket LOOX.

Before you start a backup, make sure that sufficient memory space is available on the memory card or in the device, and that the battery holds a sufficient charge. If the battery charge is low, connect the power adapter or charge the battery.



When you conduct a backup, you may not carry out any other operating procedure before the backup has been completed. Do not press any keys, touch the display or remove a memory card.

Backup

The RAM memory content is saved to a memory card.

- ▶ Select *Start - Programs - FSC Backup*.

When the program *FSC Backup* appears on the screen, select the memory card on which the backup is to be made. Select the memory card type as the destination for the backup.



Pocket LOOX 610 lists the available memory cards. For SD or MMC cards you should therefore select the *SD-MM Card* entry, for CF cards the *CF Card* entry and for the integrated storage the *LOOXstore* entry.

- ▶ Press the *Backup* button.
- ▶ A message is output when the backup has been completed.
- ▶ When you press the *OK* button on the navigation bar, the screen of *FSC Backup* appears again on the display.

Restoring

The backup data saved on the memory card are restored in the RAM memory of the device. All data in the RAM memory are restored as they were at the time of the backup. This also means that all data currently in the RAM memory of the device are overwritten.

- ▶ Select *Start - Programs - FSC Backup*.
- ▶ When the screen of the *FSC Backup* appears, select the memory card from which the backup is to be restored. *FSC Backup* indicates whether backup data are present on a memory card and when these were generated.
- ▶ Press the *Restore* button.
- ▶ *FSC Backup* asks you whether you really want to restore the data. Press the *Yes* button if the data are to be restored and the *No* button if this is not the case.
- ▶ A message is output when the restoration has been completed.
- ▶ When you press the *OK* button at the upper right, the device is reset and restarted.

Panning instead of scrolling with FSC Panning

FSC Panning enables you to move any window content bi-directionally. You can now view windows with extensive amounts of content (such as websites, Excel sheets or long Word files) quickly and easily on your Pocket LOOX display. This means: no more tedious scrolling!

By default, the program *FSC Panning* is assigned to the long key press on the *Today (14)* application button.

- ▶ Press and hold the *Today (14)* application button to activate *FSC Panning*.
- ▶ Move the window content with your stylus in the required direction.
- ▶ Release the application button to stop or to interrupt *FSC Panning*.



Please note: as long as *FSC Panning* is activated, your stylus can only move window content.

You will find further information and instructions on *FSC Panning* in the help file on your Pocket PC.

Inserting and removing expansion cards

Two slots allow the operation of different expansion cards in your Pocket PC. Possible expansion cards include memory cards (CF and SD/MMC), GPS cards, GSM/GPRS CompactFlash cards and LAN cards.



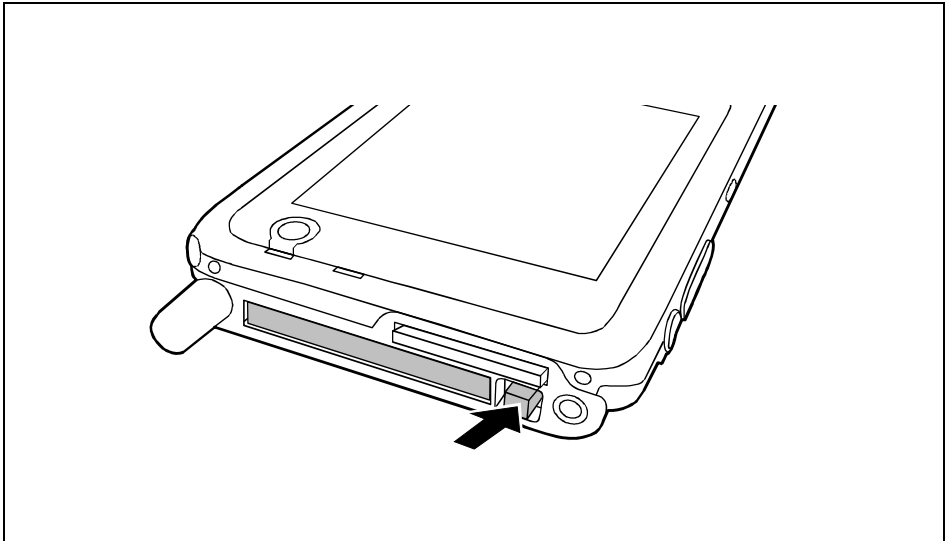
Consult the documentation supplied by the expansion card's manufacturer and follow the instructions provided.

Never use force when inserting or removing an expansion card.

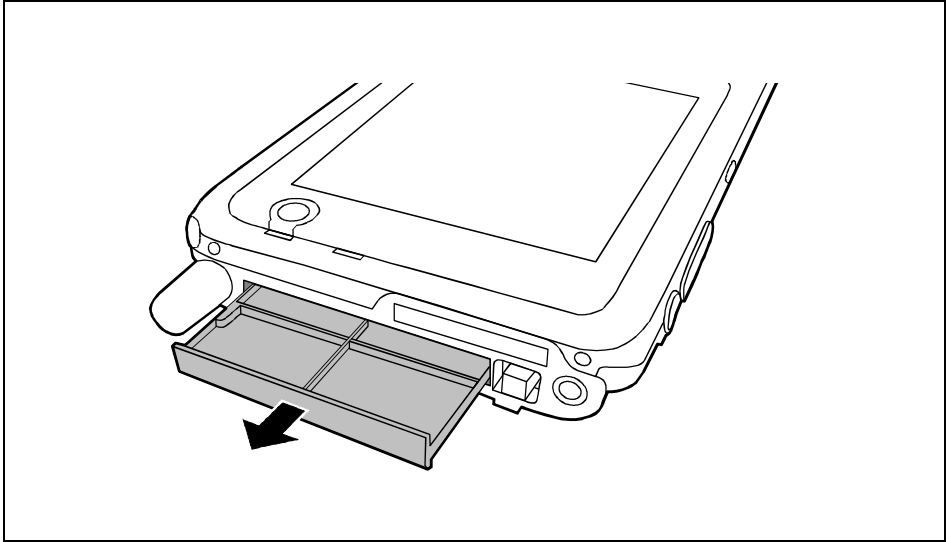
Only use expansion cards suitable for the Pocket LOOX 610.

Make sure that no foreign objects enter the slot.

Inserting CompactFlash expansion card



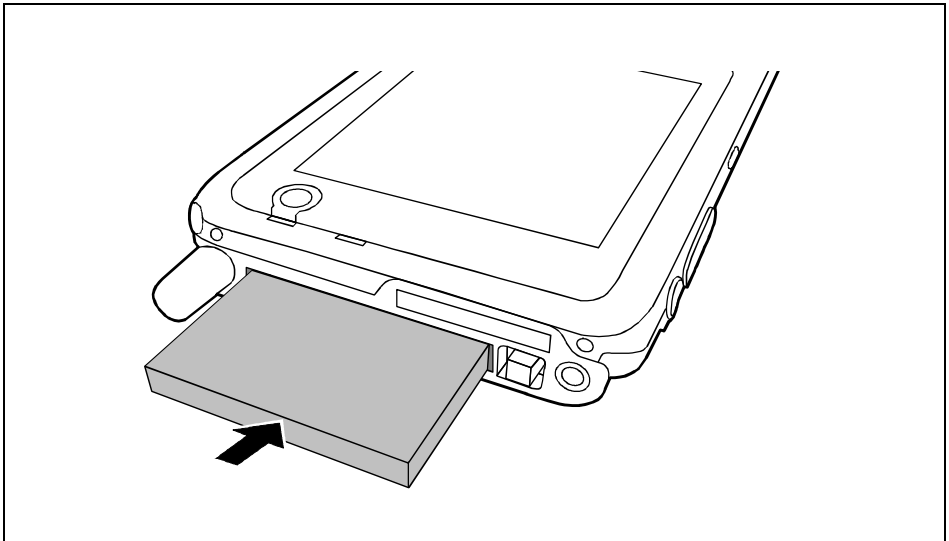
- ▶ Press the eject button so that the dummy expansion card projects slightly out of the slot on the Pocket PC.
If the eject button is lowered, you must first cause the eject button to release from the Pocket PC casing. Press the eject button until it snaps out.



- ▶ Pull the placeholder for the expansion card out of the slot.



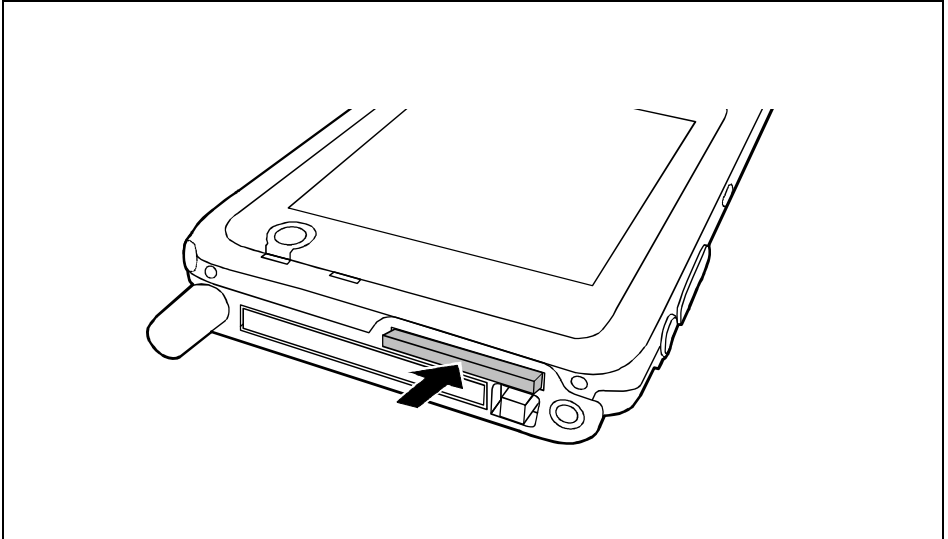
Keep the placeholder for the expansion card in a safe place. If you remove the expansion card, you should reinsert the dummy card into the slot. This prevents foreign bodies from getting into the slot.



- ▶ Place the expansion card in the slot so that the contacts enter first.

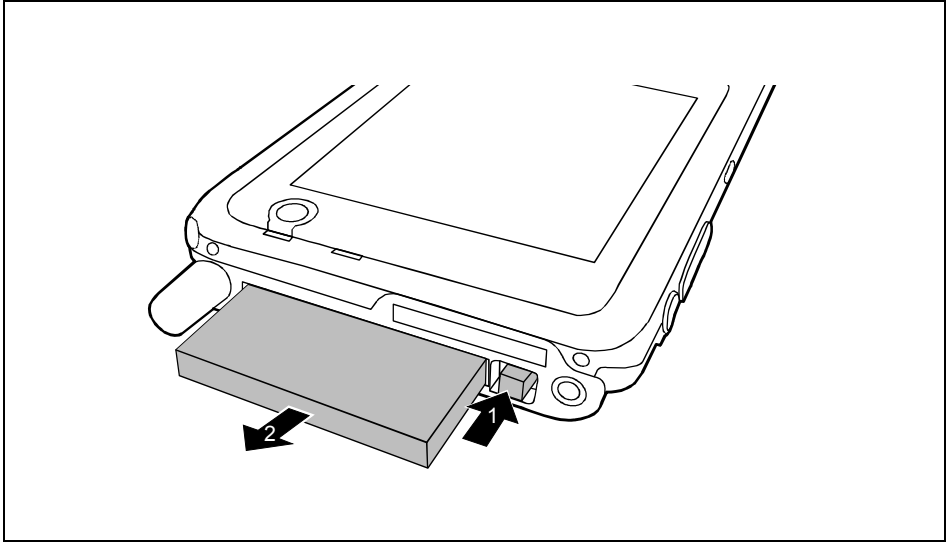
- ▶ Gently push the expansion card into the slot until you feel it click into place.
- ▶ Follow the instructions of the card manufacturer in the documentation for your expansion card if necessary.

Inserting SD/MMC expansion card



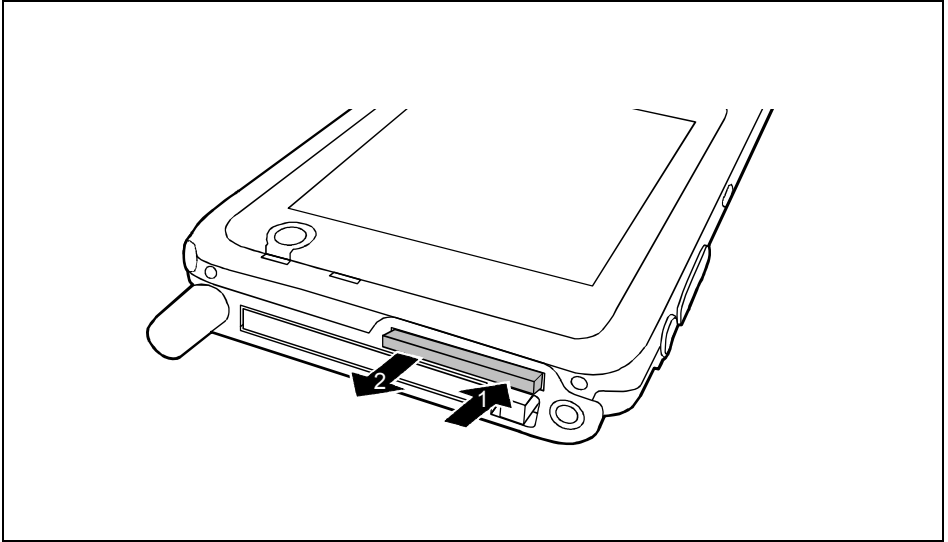
- ▶ Carefully push the expansion card into the slot.
It projects two to three millimetres.
- ▶ Follow the instructions of the card manufacturer in the documentation for your expansion card if necessary.

Removing CompactFlash expansion card



- ▶ Press the eject button (1) so that the expansion card projects slightly out of the slot on the Pocket PC.
If the eject button is lowered, you must first cause the eject button to release from the Pocket PC casing. Press the eject button until it snaps out.
- ▶ Pull the expansion card out of the slot (2).
- ▶ Insert the placeholder again into the slot if necessary.

Removing SD/MMC expansion card



- ▶ Press on the edge of the expansion card (1) so that the expansion card jumps out of the slot slightly.
- ▶ Slide the expansion card out of the Pocket PC (2).
- ▶ Insert the placeholder again into the slot if necessary.

Pocket LOOX 610 in mobile use

The Pocket LOOX 610 is equipped with a powerful battery that allows you to work for several hours without a connection to a power supply. When you're on the road your Pocket PC is supplied with power by the integrated battery. At your home or office you can recharge the battery in the cradle. You can also take along the power adapter and connect your Pocket PC directly to an electrical outlet to recharge the battery when you're on the go.

In this chapter you'll learn how to charge the battery and use it most efficiently for mobile operation. In addition, you'll find important information on transporting your Pocket LOOX 610 and explanations on what you should watch when travelling with your Pocket PC in this chapter.

Using battery

Charging the battery

The battery is not charged at the time of delivery. Therefore, install the battery on your Pocket LOOX and charge it for 12 hours before the first mobile use.

You have two ways of doing this:

- ▶ Connect the Pocket PC directly to an electrical outlet with the power adapter.
- ▶ Connect the cradle to an electrical outlet via the power adapter and place the Pocket PC in the cradle.

In both cases you can work with the Pocket PC during charging. This extends the charging time slightly.



During charging the LED (24) flashes green. When the battery is fully charged, the LED lights continuously green.

Charging battery in cradle



In the following text the letters and numbers after the designations for the various cables refer to the illustration *Delivery scope* in your "Getting Started" manual (fold-out cover page). Please look there if you're not sure which cable is meant.

- ▶ Connect the power adapter cable (F) to the DC socket (7) of the cradle (8).
- ▶ Connect the power cable (F) into the power adapter (F).
- ▶ Plug the power cable (B) into a mains outlet.
- ▶ Place the Pocket PC in the cradle (C).

Connecting Pocket PC directly to power adapter



In the following text the letters and numbers after the designations for the various cables refer to the illustration *Delivery scope* in your "Getting Started" manual (fold-out cover page). Please look there if you're not sure which cable is meant.

- ▶ Connect the power adapter cable to the DC socket (27) of the Pocket PC.
- ▶ Connect the power cable (F) into the power adapter (F).
- ▶ Plug the power cable (F) into a mains outlet.

The integrated battery of your Pocket PC will be recharged.

Optimising battery performance

When you have completely charged the battery, you can operate the Pocket PC for up to 12 hours without a power connection. However, it is not possible to exactly specify the maximum operating time, as different applications use more or less energy.

In the system settings you can make settings that help you save energy when using your Pocket PC. These settings enable you to use the battery operating time optimally. Please see the "Configuring Pocket LOOX 610" chapter for information on how to save energy.



In the default setting, a setting is activated that automatically switches the Pocket PC into the Suspend mode after three minutes when working without a power connection if no entries are made during this time. You can switch on the Pocket PC again at any time by briefly pressing the Suspend button and then continue working where you left off.

Checking battery charge level

You can display the battery charge level under *Start - Settings - System - Power*.

Information on transport and travelling

Transporting Pocket LOOX 610

- Remove all data carriers (e.g. memory cards) from the slots.
- Switch the Pocket PC into the Suspend mode.
- Pull the power plug of the power adapter and all peripheral devices out of the electrical outlets if necessary.
- Disconnect the power adapter cable and the data cables of all peripheral devices.
- If the device needs to be shipped, use the original packaging or other suitable packaging to protect it from damage caused by mishandling.
- Use the bag for the Pocket PC, which protects against jolts and impacts, for transport.
- Protect the Pocket PC from severe shocks and extreme temperatures (e.g., direct sunlight in a car).

Information on travelling

- If you wish to use your Pocket PC during a flight, check first with the airline if this is allowed and under which conditions. Switch BLUETOOTH and the Wireless LAN off. Also observe the instructions regarding BLUETOOTH in chapter "Wireless communication with BLUETOOTH (optional)" and the security information in the "Security and Ergonomics" and "Warranty" manuals.
- In some countries the use of BLUETOOTH is restricted or completely prohibited. Ask about the regulations in the country you will be travelling in before starting your trip. As a precaution, switch BLUETOOTH off in case there is any uncertainty at your place of residence.
- If you are travelling abroad, ensure that the power adapter can be operated with the local mains voltage. If this is not the case, obtain the appropriate power adapter for your Pocket PC. Do not use any other voltage converter!



If you travel in another country, check whether the local power supply and the specifications of the power cable are compatible. If this is not the case, buy a power cable that matches the local conditions. Do not use a connection adapter for electrical devices to connect the Pocket PC.

- If you use a modem, incompatibilities with the local telecommunications system may result.

FSC SpeedMenu - Operating pocket LOOX 610 quickly with one hand

FSC SpeedMenu simplifies the operating of your Pocket PC and speeds up everyday routines. *FSC SpeedMenu* also allows you to operate your Pocket PC with one hand: instead of using the stylus you can select and activate menu items easily by using the arrow keys or the navigation key via the *FSC SpeedMenu*.

What advantages does the FSC SpeedMenu offer?

- It enables you to organise the documents, programmes and folders which you often use with the *FSC SpeedMenu*.
- It enables you to create submenus for a better overview.
- It enables you to open documents or folders directly from the menu.
- It enables you to start a programme directly from the menu.

Use the arrow keys and FSC Speed button, the navigation key or the stylus.

In this chapter you'll learn how to use *FSC SpeedMenu* for your daily work.

Operating FSC SpeedMenu

The FSC Speed button is located on the left hand side above the arrow keys. You start the *FSC SpeedMenu* by pressing the FSC Speed button for a longer time.

Depending on your preferences, you can operate *FSC SpeedMenu* with the arrow keys, the navigation key or the stylus.

Operating with the arrow keys

- Select entry: To select an entry in the top section press the upper arrow key (arrow up). To select an entry that is further down, press the lower arrow key (down arrow).
- To activate a selected entry (start the programmes, display submenus, open folders, display documents): Press briefly the FSC Speed button.
- To return to the superior menu: Press the FSC Speed button for a longer time. If you are already in the main menu, the programme will be terminated.

Operating with the navigation key

- To select an entry using the navigation key: Press the arrow up/down.
- To activate a selected entry (start the programmes, display submenus, open folders, display documents): Press the navigation key in the middle position.
- To activate a selected submenu: Press the navigation key in the middle position or the arrow right.
- To return to the superior menu: Press the arrow to the left. If you are already in the main menu, the programme will be terminated.

Operating with the stylus

- To trigger the desired action (activate the entry, select the submenu, display help, terminate the programme): Press the corresponding menu entry or the corresponding button briefly.
- Return to a higher-level menu from a submenu: press the *Back arrow* button located in the navigation bar of the menu.
- To activate the pop-up menu: Press the desired entry a little bit longer. You can edit the menu structure in the pop-up menu. Details are contained in the "Editing FSC SpeedMenu" section.

Programme structure

The menu comprises two sections, which are either separated by a separating bar or by the arrow button.

Main and quick menu



Main menu

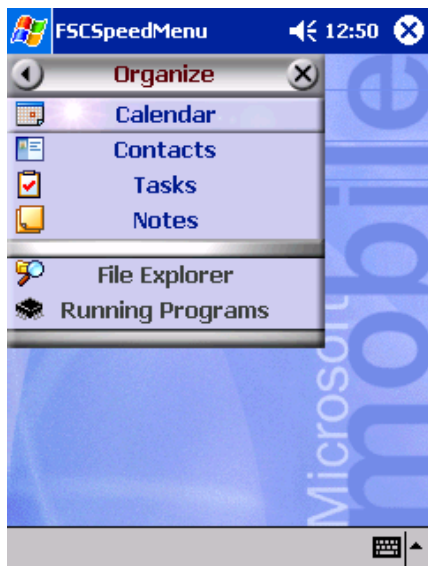
- In the main menu you administer the documents and programmes which you often use into folders and subfolders.
- You can create up to 20 main entries and subentries.
- The menu title bar indicates which submenu is currently open.
- If there is not enough space for all of the entries on the display, move the section displayed. Touch the desired arrow button with the stylus to scroll. To scroll quickly to the top or bottom entry in the Main menu, leave the stylus on the respective arrow button for a moment.

Quick menu

- The quick menu is meant for your favourite programmes and documents i.e. the ones you use often.
- Your entries in the quick menu are always visible and can therefore be called at any time regardless of which submenu is activated in the main menu.

FSC SpeedMenu default entries in Main and Quick menu. Separation of areas with bars *

You can create up to five entries.

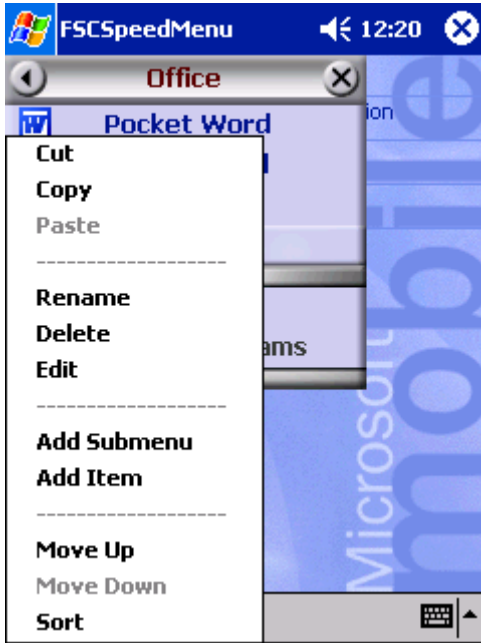


FSC SpeedMenu: default entries in *Organizer** submenu

*: The two illustrations show the default entries you will find when you start the *FSC SpeedMenu* the first time. You can leave the default entries as they are or change them at any time.

Editing FSC SpeedMenu

Within the defined program structure (see the "Programme structure" section) you can alter *FSC SpeedMenu* to meet your own needs. You can add new entries, rename entries, sort entries, create submenu entries, move the existing entries and, of course, also delete entries. In the following sections you'll learn how to proceed using the example "Adding menu entry".



1. Opening the pop-up menu
 - ▶ Press the chosen menu entry with the stylus for approx. 1 - 2 seconds.

The pop-up menu indicates the possible actions for that entry.

2. Add entry
 - ▶ Press *Add entry* in the popup menu with the stylus.
 - ▶ Enter the desired title for the entry.

The new entry appears in the menu just above the entry on which you have activated the pop-up menu.

FSC SpeedMenu: default entries in *Organizer** submenu



If you have activated the pop-up menu on the arrow button, your new entry will appear at the end of the list in the main menu.

An overview of all possible actions is contained in the *FSC SpeedMenu* help on your Pocket PC.



Example of a configured *FSC SpeedMenu*

Tips and tricks

Activating an entry in Quick menu immediately after starting FSC SpeedMenu:

You do not have to scroll through all the entries until you reach the bottom, you can use the rollover function instead: after the program starts, simply press the upper arrow key (up arrow) or the up arrow on the navigation key and this takes you straight to the last entry.

Inserting first entry in an empty menu:

Open the popup menu of the elements *Separating bar* or *Foot bar*. The entry is then entered in the Main menu or in the Quick menu.

Inserting entry at end of Main menu

If the list of the Main menu entries is so long that it no longer fits on the display, an arrow button appears at the lower end (also see the section "Programme structure"). To insert an entry at the end of this long menu, proceed as follows:

Touch the arrow button (down arrow) and leave the stylus on the arrow button for a moment. This scrolls down through the entries. As soon as the bottom entry is reached, the arrow button turns grey and can no longer be actuated. Briefly remove the stylus and then touch the button again. A popup menu appears and you can add your new entry.

Configuring Pocket LOOX 610

You can already choose from a large number of programs when you use the Pocket PC for the first time. In addition, proven default settings are defined for the menu structure, energy management, memory management and security functions.

But, of course, you can add and remove programs and configure the Pocket PC as desired.

This chapter shows you how to

- optimise the energy management of your Pocket PC
- configure the hardware buttons
- adjust the menus to your personal needs
- use the security functions
- change the time and use the alarm functions

For information on removing and adding programs, please refer to the documentation from the software manufacturer and the *ActiveSync* help file, that you can call at any time after installing *ActiveSync* on your notebook/PC.

We describe the configuration of the *FSC SpeedMenu* in the "Editing FSC SpeedMenu" chapter in this manual and in the *FSC SpeedMenu* help on your Pocket PC.

Optimising energy management

General information on energy management

The battery operating time is considerably dependent on the applications used. Please consider that a particularly large amount of energy is required to play sound files or make sound recordings. Therefore, if you want to work for several hours without a power connection, limit the use of energy-intensive applications.

Data exchange with a PC or notebook also consumes additional battery power. Therefore, always connect your Pocket PC to an electrical outlet during data exchange if possible.

We also recommend that you reduce the display brightness to effectively save energy and therefore appreciably increase the time you can work with the battery.

Displaying battery status

- ▶ Touch *Start*.
- ▶ Select the *Settings* entry in the menu.
- ▶ Select the *System* tab.
- ▶ Tap the symbol *Power*.

In the *Power* control panel you can now read off the current battery status.

If the battery charge level is very low, you will be warned with a dialog window during operation. Then immediately connect your Pocket LOOX 610 to an electrical outlet.

If you do not immediately connect your Pocket PC to the mains power, the Pocket PC will automatically switch itself off. The data in the RAM memory remains intact for several hours.

However, if the Pocket PC is still not connected to the mains power during this period, all data that is only in RAM (such as documents, additionally installed programs, personal settings) will be lost. In other words, your Pocket PC is reset to the delivery state.

Using energy-saving functions

You can save energy in several ways to optimally utilise the battery charging time:

- Switch the Pocket PC into the Suspend mode when not in use.
- Reduce the processor speed.
- Switch the display lighting off or reduce the brightness.
- Switch off the sound, reduce the volume or only allow acoustic signals for certain applications.

Switching Pocket LOOX 610 into Suspend mode

In the system settings you can specify after how many minutes without action the Pocket PC switches into the Suspend mode

- ▶ Touch *Start*.
- ▶ Select the *Settings* entry in the menu.
- ▶ Select the *System* tab.
- ▶ Tap the symbol *Power*.
- ▶ Select after how many minutes without action the Pocket PC is to switch into the Suspend mode.

The desired settings are made separately for battery operation and with a power outlet.



If you set the Pocket PC to switch off automatically, you can continue at the point at which you interrupted your work by briefly pressing the Suspend button.

Reduce the processor clock speed (energy saving mode)

The energy saving mode with its reduced processor clock speed is adequate for many applications. The battery uses less energy at a lower processor speed, enabling you to work longer during battery operation. But if you wish to view films on your Pocket LOOX 610, you should select the turbo mode with its high energy consumption.

- ▶ Touch *Start*.
- ▶ Select the *Settings* entry in the menu.
- ▶ Select the *System* tab.
- ▶ Touch the *CPU Setting* symbol.
- ▶ Mark the *Energy saving mode* option.

You can also mark the *Automatic Power Saving* option. Your Pocket PC then takes over the job of selecting the most suitable mode and the most favourable processor clock speed.

Switching off display lighting

In the system settings, you can specify the time in minutes after which the display lighting is switched off if no entry is made.

- ▶ Touch *Start*.
- ▶ Select the *Settings* entry in the menu.
- ▶ Select the *System* tab.
- ▶ Touch the *Brightness* symbol.
- ▶ Select after how many minutes without action the display lighting is to be switched off during battery operation.

To save energy, we advise you to keep the time until automatic switch-off for battery operation very short.

Reducing brightness

- ▶ Touch *Start*.
- ▶ Select the *Settings* entry in the menu.
- ▶ Select the *System* tab.
- ▶ Touch the *Brightness* symbol.

Here you can adjust the display brightness separately for operation with an electrical outlet and for battery operation.

- ▶ Touch *OK* (navigation bar) to confirm your setting.

Switching off sound

- ▶ Touch the loudspeaker symbol in the navigation bar (to the left of the time).

A popup window for the loudspeaker settings appears.

- ▶ Mark the selection field for *Off* with the stylus.

Adjusting volume

- ▶ Touch the loudspeaker symbol in the navigation bar.

A popup window for the loudspeaker settings appears.

- ▶ Set the desired volume on the slide control with the stylus.

or

- ▶ Touch *Start*.
- ▶ Select the *Settings* entry in the menu.
- ▶ Select the *Personal* tab.
- ▶ Touch the *Sounds & Messages* symbol.
- ▶ Set the desired volume with the slide control.
- ▶ Touch *OK* (navigation bar) to confirm your setting.

Permitting sound only for certain actions

- ▶ Touch *Start*.
- ▶ Select the *Settings* entry in the menu.
- ▶ Select the *Personal* tab.
- ▶ Touch the *Sounds & Messages* symbol.

Under the heading *Activate sound for you* will find a list of actions that are usually assigned acoustic signals. You can select yourself which applications or functions are to be accompanied by sounds.

- ▶ Touch in an empty control and selection box to mark it.
- ▶ Touch in a marked control and selection box to remove the marking.
- ▶ Touch *OK* (navigation bar) to confirm your setting.

Configuring hardware buttons

FSC KeyLock: preventing switch-on via application buttons

By default, your Pocket LOOX 610 starts up if the Suspend button and an application button are pressed.

In the program FSC KeyLock you can specify that the Pocket PC only starts if the Suspend button is pressed.

- ▶ Touch *Start*.
- ▶ Select the *Settings* entry in the menu.
- ▶ Touch the *Buttons* symbol on the *Private* tab.
- ▶ Select the *FSC KeyLock* tab.
- ▶ Mark the *Application buttons locked* option.

You will find further information in the help file on your Pocket LOOX 610.

Assigning chosen functions to the hardware buttons

The buttons of your Pocket PC are assigned certain functions such as running programs. However, you can change these default settings and assign the buttons the functions of your choice.

- ▶ Touch *Start*.
- ▶ Select the *Settings* entry in the menu.
- ▶ Touch the *Buttons* symbol on the *Private* tab.

A list of the hardware buttons and the assigned programs or functions appears. The four application buttons appear in the list twice. This is because you can assign different applications to these buttons for short and for long keystrokes.

- ▶ Mark the button in the list for which you want to change the assignment.
- ▶ Select the program you want to assign to this button from the list below it.
- ▶ Touch *OK* (navigation bar) to confirm your setting.

The button is now assigned the desired program.

If you want to change the function of several buttons, we advise you to make a note of the new functions.

Adjusting menus

Frequently used programs appear in the Start menu. You can adjust the Start menu to meet your needs.

- ▶ Touch *Start*.
- ▶ Select the *Settings* entry in the menu.
- ▶ Touch the *Menus* symbol on the *Private* tab.

A list of programs/applications appears.

- ▶ To remove programs from the menu, click in the checkbox of the program. The check mark is removed from the checkbox.
- ▶ To add programs to the Start menu, click in the checkbox of the desired program. A check mark appears in the checkbox.
- ▶ Touch *OK* (navigation bar) to confirm your setting.

You can also create a new menu that you can display in the task bar on the Today screen.

- ▶ Touch *Start*.
- ▶ Select the *Settings* entry in the menu.
- ▶ Touch the *Menus* symbol on the *Private* tab.
- ▶ Select the *New Menu* tab.
- ▶ Touch the checkbox for the entry *Activate 'Neu' popup menu*.
- ▶ Select those applications from the list that are to appear in the new menu.
- ▶ Touch *OK* (navigation bar) to confirm your setting.

Using security functions

Password protection under Pocket PC 2003

You can protect your Pocket PC from unauthorised access with a password. This makes your data accessible only to persons who know the password.

- ▶ Touch *Start*.
- ▶ Select the *Settings* entry in the menu.
- ▶ Touch the *Password* symbol on the *Private* tab.
- ▶ Select the type of password you prefer:
 - A password consisting of four numbers (simple 4-digit password).
 - A password of alphanumeric characters (a complex alphanumeric password).

Password of four numbers

- ▶ Touch the desired combination of numbers on the number field.
- ▶ Touch *OK* (navigation bar) to confirm your setting.

A dialog box appears.

- ▶ Confirm with *Yes*.

Alphanumeric password

- ▶ Touch the desired password on the keypad. The password must consist of at least 7 characters and a combination of uppercase and lowercase letters and numbers or punctuation marks.
- ▶ Touch the lower entry field with the stylus. Repeat the password entry to confirm it.
- ▶ Touch *OK* (navigation bar) to confirm your setting.

A dialog box appears.

- ▶ Confirm with *Yes*.

The Pocket LOOX 610 is now protected with a password.

Switch off the Pocket PC by briefly pressing the Suspend button.

The next time you switch on your Pocket PC you must first enter the password before the Today screen or the content on which you last worked appears on the display.

If you have forgotten your password, you can restart your Pocket LOOX 610 by resetting it to the delivered state with the Full Reset switch.



If the device is switched off with the Full Reset switch, the battery is switched off so that the RAM contents are lost. You lose all data (documents, additionally installed programs, personal settings) that you haven't saved elsewhere.

Therefore, remember to make a regular data backup with synchronisation (see the "Synchronising data with ActiveSync" chapter) or on corresponding memory cards (available as an accessory). The program *FSC-Backup* is provided on your Pocket LOOX 610 for completely backing up the RAM memory.

Changing time

During the initial start-up you entered the time zone of your location and set your system clock.

If you would like to change the time, proceed as follows:

- ▶ Touch *Start*.
- ▶ Select the *Settings* entry in the menu.
- ▶ Select the *System* tab.
- ▶ Touch the *Clock* symbol.
- ▶ Depending on your preference, you can change the time by moving the clock hands or by entering the desired time.
- ▶ Touch *OK* (navigation bar) to confirm your setting.

In addition, you can also activate a second time, for example in another time zone. This informs you of the time of day of your business partners at all times or provides you with an overview of both the time in the country you are travelling in and at home.

Using alarm functions

The alarm function of the Pocket PC is not only practical in the morning, but can also be useful before important appointments or deadlines. Have the Pocket LOOX 610 "wake you": your Pocket LOOX 610 will remind you in advance of upcoming appointments or deadlines with an acoustic signal. By the way, you can also select from a large number of different alarm signals.

- ▶ Touch *Start*.
- ▶ Select the *Settings* entry in the menu.
- ▶ Select the *System* tab.
- ▶ Touch the *Clock* symbol.
- ▶ Select the *Signal* tab.
- ▶ Touch the top checkbox.
- ▶ Mark one or several days of the week.
- ▶ Touch the time.
- ▶ Depending on your preference, select the alarm time by moving the clock hands or by entering the desired time.
- ▶ Touch *OK* (navigation bar) to confirm your setting.
- ▶ Touch the bell symbol.

Now you can select how you want to be woken up or notified.

- ▶ Touch empty checkboxes to mark them.
- ▶ Touch marked checkboxes to remove an undesired marking.

If you have marked *Play sound*, you can select the desired signal in the list next to it (drop-down menu).

- ▶ Touch the small button with the down arrow next to the title *Alarm1*.

The drop-down menu appears. You can view all menu items by sliding the scroll bar.

- ▶ Touch the desired signal.

The signal is then played.

- ▶ Touch *OK* (navigation bar) to confirm your selection.

You return to the *Signal* tab, where you can enter a name or a short description for the specified alarm function.

- ▶ Touch the word *Description* with the stylus.
- ▶ Enter a name for this alarm function with the keypad.
- ▶ Touch *OK* (navigation bar) to confirm your setting.
- ▶ Enter additional alarm times in the same way.

Connecting and networking Pocket LOOX 610 with other devices

The Pocket PC offers a wide range of ways to exchange data with other devices or to work in a network.

You have already become familiar with data synchronisation via *ActiveSync* and an ActiveSync cable in the "Synchronising data with ActiveSync" chapter. You can connect the ActiveSync cable provided to any PC or notebook equipped with a USB port. An active ActiveSync cable for devices with a serial port is also available as an accessory.

In addition, you also have the infrared interface, BLUETOOTH and, depending on the model, Wireless LAN available to you for wireless communication. With various cards which you can purchase as accessories (LAN card, W-LAN or modem card) you can integrate your Pocket PC in networks and establish a connection to the Internet.

This chapter provides you with information on wireless data transfer

- via infrared interface
- via BLUETOOTH (depending on model)
- via Wireless LAN (depending on model)

Please see the documentation of the respective card for information on using LAN, W-LAN or modem cards.

Safety precautions when using radio components

Switch off BLUETOOTH when you are in a hospital or near a medical electronics system, as the radio waves transmitted by the radio component may impair the operation of the medical devices.

Do not bring the Pocket LOOX 610 into an operating room with the radio component switched on, as the radio waves transmitted by BLUETOOTH may impair the operation of medical electronic systems used there.

Keep Pocket LOOX 610 at least 20 cm from a pacemaker with the radio components switched on, as otherwise the proper functioning of the pacemaker can be interfered with by the radio waves.

The radio waves transmitted by the radio component can cause an unpleasant humming in hearing aids.

Switch off BLUETOOTH when you are in an aircraft or driving in a car.

Do not bring the Pocket LOOX 610 near flammable gases or into potentially explosive atmospheres with the radio component switched on (e.g. petrol station), as the radio waves transmitted can cause an explosion or a fire.

The company Fujitsu Siemens Computers GmbH cannot be held responsible for radio or television faults arising from unauthorised changes made to this device. Fujitsu Siemens is, furthermore, not responsible for replacing and / or exchanging connector cables and devices which have not been specified by Fujitsu Siemens Computers GmbH. The user is solely responsible for repairing faults arising from such unauthorised changes made to a device and for replacing and/or exchanging devices.

Wireless data transfer with infrared interface

The infrared interface (IrDA) on the left side of your Pocket PC provides you with wireless serial data transfer of up to 4 Mbits/s. In general, Fast Infrared is the interface of choice for the fastest possible data transfer rate of 4 Mbits/s. However, should you notice difficulties when exchanging data with slower devices, please switch to the Slow Infrared setting (115 kbits).

For data transfer, you must align the infrared interface of your Pocket PC with that of the partner device (e.g. PC). The devices must not be more than one metre apart. The infrared interface of one device must be in the range of influence (horizontally approx. 30 ° and vertically approx. 15 °) of the infrared interface of the other device.

Run the program *Infrared Receive* under *Programs* on your Pocket PC. The Pocket PC immediately begins to search for the partner device (infrared transmitter) and informs you on any infrared interface found.

If the infrared partner device has not been found, point the device in another direction and then run the program *Infrared Receive* again.

Wireless communication with BLUETOOTH (optional)

With your Pocket PC with an integrated BLUETOOTH™ module you can communicate wirelessly with other BLUETOOTH devices, e.g. with another Pocket PC, a notebook or a mobile phone.

Your Pocket PC with integrated BLUETOOTH is a Power Class 2 device, i.e. it has a maximum range of 10 meters. The range of the communication paths is shortened depending on the user environment (e.g. walls or furniture), building structure and output power class of the partner.

BLUETOOTH supports many functions (*Services*), e.g. accessing the Internet and transmitting or receiving data or e-mails.

In the following sections, you will find out how to put BLUETOOTH into operation.

The help file for the software on your Pocket LOOX 610 explains how you operate the software concerned.

Selecting location for BLUETOOTH operation

- We recommend that you use the Pocket PC with the BLUETOOTH components in a typical operating environment. Other BLUETOOTH devices, which you want to communicate with, should be located at a distance of up to 10 m.
- Only install a partner device within the recommended distance. Observe the output power class of the partner device when doing so. Details are contained in the operating manual of the partner device.
- Use the Pocket PC with the BLUETOOTH at least 2 m away from other electrical or electronic systems. If you must use the Pocket PC near a microwave cooker, then maintain a distance of at least 3 m from the microwave cooker, as the reception is subject to interference with regard to microwaves.
- Should problems result when communicating via BLUETOOTH because radios or radio devices are located in the vicinity, then move the Pocket PC to a different location.

Activating and deactivating BLUETOOTH

You can switch BLUETOOTH on and off just as you wish. In this way you can also use your Pocket PC in places where wireless modules such as BLUETOOTH are not allowed, e.g. in hospitals and aircraft (please also note the security information in the manuals "Security and Ergonomics" and "Warranty"). In such places, simply mark the *BLUETOOTH signals on* option. This will interrupt the BLUETOOTH connection.

You can make the settings for activating and deactivating in the program *CONNECT2AIR*.

- ▶ Call the program *CONNECT2AIR* by pressing the appropriate application button (12).
- ▶ Mark either the *BLUETOOTH signals off* or *BLUETOOTH signals on* option.

You can also switch *BLUETOOTH* on and off in the system settings.

Wireless connection via Wireless LAN (optional)

If your Pocket LOOX 610 has an integrated Wireless LAN installed, you will find information on it in the help file on your Pocket PC.

In the same way as BLUETOOTH, you can also activate and deactivate the integrated Wireless LAN just as you wish. Proceed in the same way as described in the "Activating and deactivating BLUETOOTH" section.

Accessories and additional components

Supplementary components such as e.g. the CONNECT2AIR GPRS/GSM CompactFlash card extend the functionality of your Pocket PC: you can telephone, send and receive emails and call up web and WAP pages with your Pocket PC together with the CONNECT2AIR GPRS/GSM CompactFlash card. The delivery scope of the CONNECT2AIR GPRS/GSM CompactFlash card also includes a headset, allowing you to telephone without disturbance.

And you can also mount an additional battery, the Main Battery XL, on the Pocket PC. This considerably extends the operating time of the Pocket LOOX 610.

The external keyboard is useful for entering larger amounts of text.

A serial ActiveSync cable is available if you also want to use devices with serial ports during data exchange.

Troubleshooting and tips

If a fault occurs in your Pocket PC, try to eliminate it with the measures described in this chapter. If you fail to correct the problem, proceed as follows:

- ▶ Make a note of the steps and the circumstances that led to the fault. Also make a note of any error messages displayed.
- ▶ Switch the Pocket PC off.
- ▶ Contact your sales outlet or our hotline/help desk.

Installing new software

You will find information on installing supplementary programs in the ActiveSync help file that you can call up after installing ActiveSync on your PC/notebook.

When installing programmes or drivers, important files may be overwritten and modified. To be able to access the original files in case of problems following installation, you should make a backup copy prior to installation (see the chapters "Synchronising data with ActiveSync" and "Backing up data with FSC Backup").

Date or time of the Pocket PC is incorrect

- ▶ Touch *Start*.
- ▶ Select the *Settings* entry in the menu.
- ▶ Select the *System* tab.
- ▶ Touch the *Clock* symbol.
- ▶ Depending on your preference, you can change the time by moving the clock hands or by entering the desired time.
- ▶ Touch *OK* (navigation bar) to confirm your setting.

The display of the Pocket PC remains dark

Display lighting is switched off

- ▶ Press the Suspend button longer than 1 second.

The information on the display of the Pocket PC is difficult to read

Reflection

- ▶ Turn the Pocket PC until you can see the information in the display again.

The Pocket PC switches off

If you operate the Pocket PC too long with only the battery, the Pocket PC switches into the Suspend mode when the battery charging level is too low.

- ▶ Connect the power adapter to charge the battery.
- ▶ Press the Suspend button.

The Pocket PC does not start after switch on

If the Pocket PC does not start after switch on, this may be due to one of the following:

The battery is dead

- ▶ Charge the battery.
- ▶ Connect the power adapter to the cradle with the Pocket PC.
- ▶ Check whether the power adapter is connected correctly to the cradle.
- ▶ Check whether the power cable is plugged properly into the power adapter and into the mains outlet. The indicator on the power adapter should illuminate.

The battery is charged. LED is blinking green.

The power adapter is not connected correctly

- ▶ Switch the Pocket PC off.
- ▶ Check whether the power adapter is connected correctly to the Pocket PC.
- ▶ Check whether the power cable is plugged properly into the power adapter and into the mains outlet.
- ▶ Then switch the Pocket PC on again

The Pocket PC stops working

If the Pocket PC stops working, this may have the following reasons:

An application programme has caused the malfunction

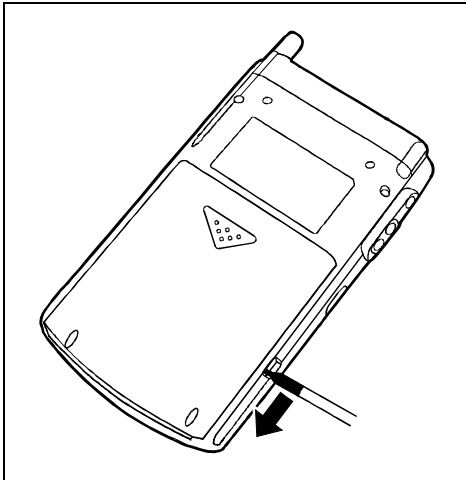
- ▶ Restart the Pocket PC (soft reset).

Or

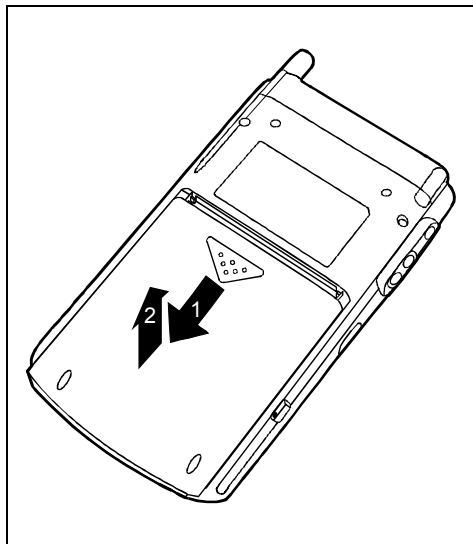
- ▶ Reset the Pocket PC to the delivered state with the Full Reset switch.



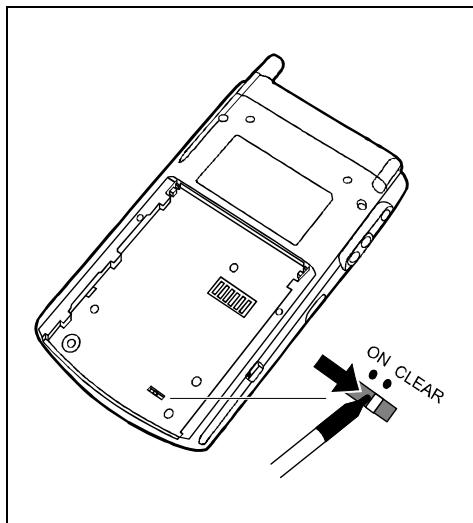
When you reset the Pocket PC to the delivered state, your data are lost!



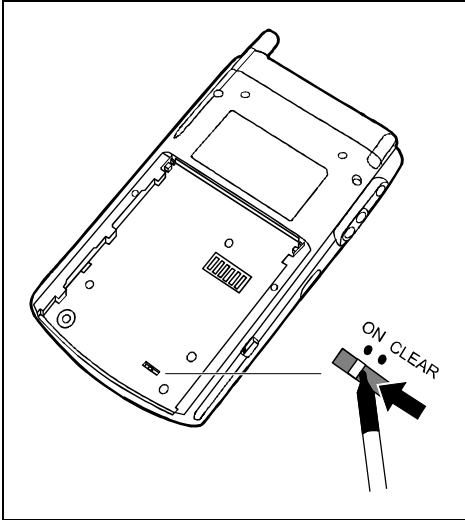
- ▶ Slide the lock in the direction of the arrow with the stylus.



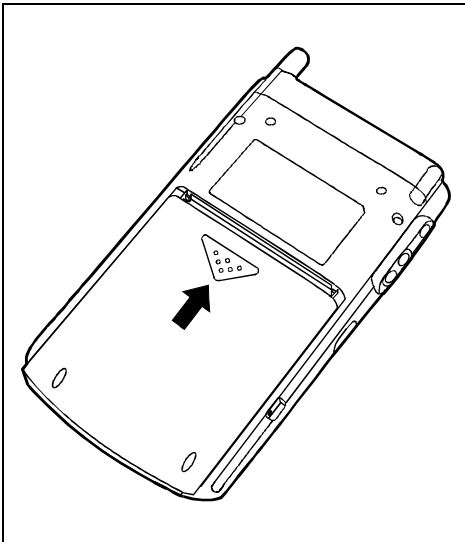
- ▶ Slide the battery slightly in the direction of the arrow (1).
- ▶ Lift out the battery upward in the direction of the arrow (2).



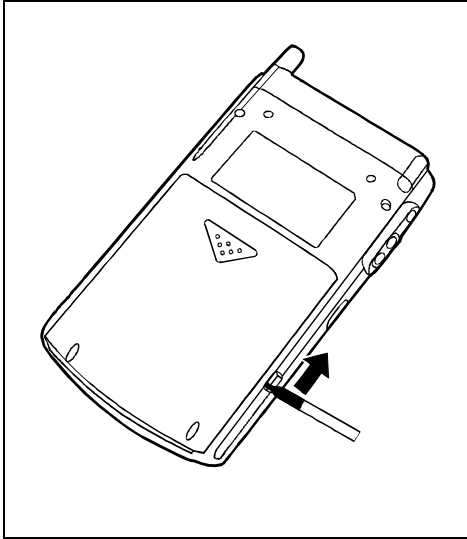
- ▶ Slide the Full Reset switch to the right with the stylus.



- ▶ After waiting a few moments, slide the Full Reset switch to the left with the stylus.
Please note that your Pocket PC does not start up immediately after actuating the full reset switch, but rather a few seconds after installing the battery and connecting the mains power cable.



- ▶ Install the battery as shown in the diagram and then slide it in the direction of the arrow until the edge of the battery is flush with the edge of the device.



- ▶ Slide the lock in the direction of the arrow with the stylus.



After approximately 10 seconds a picture appears on the display and a tone sounds.



If the device is switched off with the Full Reset switch, the battery is switched off so that the RAM contents are lost. This means you lose all data (documents, additionally installed programs, personal settings) that you haven't saved elsewhere.

Therefore, remember to make a regular data backup with synchronisation (see the "Synchronising data with ActiveSync" chapter) or on corresponding memory cards (available as an accessory). The program *FSC-Backup* is provided on your Pocket LOOX 610 for completely backing up the RAM memory.

The battery is dead

- ▶ Connect the power adapter to the Pocket PC to charge the battery.

Or

- ▶ Connect the power adapter to the cradle and place the Pocket PC in the cradle for charging.

The battery discharges too quickly

The battery is either too hot or too cold.

- ▶ Bring the Pocket PC up / down to a normal temperature again.

If the operating time of the battery mode is extremely short, the battery is probably old and should be replaced. Please consult your local distributor if you want to buy a new Pocket LOOX 610 battery.

The Suspend button does not respond properly

You have pressed the Suspend button too long to switch the Pocket PC on or off.

- ▶ Briefly press the Suspend button until the Pocket PC switches on or off.

No sound or minimal volume

Check whether the volume is set correctly.

- ▶ Touch the loudspeaker symbol in the navigation bar and set the volume with the slide control. Make sure that the sound is switched on (marking in *On* selection box).

or

- ▶ Touch *Start*.
- ▶ Select the *Settings* entry in the menu.
- ▶ Select the *Personal* tab.
- ▶ Touch the *Sounds & Messages* symbol.
- ▶ Set the desired volume with the slide control.
- ▶ Touch *OK* (navigation bar) to confirm your setting.

Contact with hotline/help desk

If you are unable to solve a certain problem, please contact the hotline/help desk. Additional details are contained in the "Safety and Ergonomics" and "Warranty" manuals. Please have the following information ready when you call:

- The model name and serial number of the Pocket PC. The serial number is located on a sticker on the backside of the Pocket PC.
- Notes of any messages that appear on the screen and information on acoustic signals.
- Any changes you have made to the hardware or software after receiving the Pocket PC.
- Your system configuration and all peripheral devices connected to your system (e. g. keyboard).
- Your sales contract.

Technical data

Pocket LOOX 610

Processor:	Intel PXA255 Applications Processor with Intel® XScale™ technology at 400 MHz
Main memory:	
• Model equipped with BLUETOOTH:	64 MB RAM, 64 MB ROM
• Model equipped with BLUETOOTH and Wireless LAN:	128 MB RAM, 64 MB ROM
Possible modules:	CompactFlash cards: WLAN, GPS, memory, Microdrive, modem, camera, VGA SD/MMCard: memory Plug-on: Main Battery XL

Electrical data

Regulations complied with:	CE, FCC Part 15 Class B, EN60950, UL
Protection class:	III
Maximum power draw: (Pocket PC on with battery charging)	12 W

Display

Display diagonal:	240 x 320 transfective TFT display, resolution 65,536 colours
Dimensions: (W x H)	53.6 mm x 71.5 mm; 0.22 mm pixel spacing

Slots

SD/MMCard	1
CF Type I and II	1

Ports

Integrated microphone / loudspeaker	1 / 1
Headphones port	3.5 mm
USB port (Universal Serial Bus) / Serial port:	USB 1.1 / RS232
Infrared interface:	Fast IrDA (up to 4Mbit/s)
BLUETOOTH	Class 2

Environmental conditions

Environment class 3K2, 2K2	DIN IEC 721 EN 60721
Housing class 7M2	DIN IEC 721 EN 60721
Temperature:	
• Operating (3K2)	5 °C 40 °C
• Transport (2K2)	-25 °C 60 °C

Technical data

Dimensions

Width/depth/height: 147,5 mm/78 mm/19mm

Weight:

- Model equipped with BLUETOOTH: approx. 197 g
- Model equipped with BLUETOOTH and Wireless LAN: approx. 205 g

Battery

Rated capacity: 1500 mAh

Charging time (when not in operation): Max. 4 hours

Operating time: up to 24 hours
up to 300 hours in stand-by mode

Power adapter

- Rated voltage: 100 V to 240 V (automatic)
- Frequency: 50 Hz to 60 Hz (automatic)
- Rated voltage: 5 V \pm 5%
- Max. rated current: 2,4 A

You can readily order an additional power adapter and an additional power cable.

Index

A

- Accessories 59
- ActiveSync cable, connecting 28
- ActiveSync partnership, establishing 28
- ActiveSync, installing 28
- Additional components 59
- Alarms 53
- Antenna 10
- Application buttons, using 23
- Arrow keys, using 22

B

- Battery 10
 - capacity 6
 - charging 37
 - discharging 66
 - installing 13
 - self-discharge 6
 - storing 6
 - technical data 70
- Battery interlock 10
- Battery performance
 - checking 38
 - optimising 38
- BLUETOOTH 56
 - activating 57
 - deactivating 57
- Buffer battery, load 61

C

- Calendar application button 10
- CE marking 5
- Cleaning 6
- CompactFlash expansion card
 - inserting 31
 - removing 34
- Components, optional 59
- CONNECT2AIR application button 10
- Connection for ActiveSync cable 10
- Connection for cradle 10
- Contacts application button 10
- CPU Performance 48
- Cradle, using 25

D

- Dark display 61
- Data backup 17, 29
- Data loss 17
- Data synchronisation 27, 28

Data transfer

- BLUETOOTH 56
 - infrared 56
 - Wireless LAN 57
- Data, technical 69
- Date, not correct 61
- Date/Time incorrect 61
- DC IN jack 10
- Display
 - cleaning 6
 - difficult to read 61
 - reflected glare 61
 - remains blank 61
- Display lighting 49
 - adjusting 23
- Disposal 5

E

- Eject button 10
- Electromagnetic compatibility 5
- Energy management
 - battery status 47
 - optimising 47
- Energy saving 5
- Expansion card
 - handling 31
 - inserting 31
 - removing 34

F

- First start 15
 - full reset switch 12
 - time zone 15
 - Today screen 15
 - touchscreen 15
- FSC Backup 29
- FSC KeyLock 50
- FSC Panning 30
- FSC Speed button 10
- FSC SpeedMenu 41
 - editing 44
 - Main menu 42
 - navigation key 41
 - operating 41
 - programme structure 42
 - Quick menu 42
 - scroll button 41
 - stylus 42
 - troubleshooting and tips 45
- Full Reset 17
- Full reset switch 10, 12

- G**
 - GPRS module 59
- H**
 - Hardware keys, configuring 50
 - Hardware, overview 10
 - Headphones port 10
 - Hotline/Help Desk 67
- I**
 - Infrared interface 10, 56
 - Initial start-up
 - basic operation 15
 - connecting power adapter 14
 - first start 15
- K**
 - Keyboard, external 59
- L**
 - Locking catch 10
 - adjusting 26
 - Loudspeaker 10
 - Lower arrow key 10
- M**
 - Main Battery XL 59
 - Microphone 10, 24
- N**
 - Navigation key 10
 - using 21
 - No sound 67
 - Notational conventions 3
 - Notes
 - CE marking 5
 - cleaning 6
 - disposal 5
 - energy saving 5
 - safety 4
- O**
 - On/off time 16
 - Operating, basically 15
 - Overview
 - hardware 10
 - software 7
- P**
 - Password protection under Pocket PC 2003 51
 - Pocket PC
 - before you travel 39
 - cleaning 6
 - configuring 47
 - connecting with other devices 55
 - does not start 62
 - does not work 63
 - networking 55
 - operating 9
 - operating with one hand 41
 - switch off 16
 - switches itself off 62
 - switching on 16
 - transporting 39
 - Pocket-PC
 - initial start-up 11
 - Power adapter
 - connecting 14
 - technical data 70
 - Power saving possibilities 48
 - Power-on indicator 10
 - Preparing for use, first time 11
- R**
 - Radio indicator 10
 - Recycling 5
- S**
 - Safety 4
 - Screen too bright 61
 - SD/MMC expansion card
 - inserting 33
 - removing 35
 - Security functions 51
 - Self-discharge 6
 - Signs and symbols 3
 - Slot for expansion cards 10
 - Soft reset 10, 17
 - Software
 - installing new software 61
 - new installation 61
 - overview 7
 - Sound
 - activating optionally 50
 - switching off 49
 - Sound recording, record button 24
 - Standard operating elements, using 21

Start menu, customising 51
Storage, battery 6
Stylus 10
 removing 12
 using 21
Summer time 61
Suspend key 10, 16
 does not react 67
 switch off 16
 switching on 16
Suspend mode 16

T

Technical data 69
 battery 70
 Pocket PC 69
 power adapter 70
Time
 changing 52
 daylight savings 61
 not correct 61
Time zone 15

Tips 61
Today application button 10
Today screen 15
Touchscreen, aligning 15
Transport 39
Travel, Pocket PC 39
Troubleshooting 61

U

Upper arrow key 10
USB adapter 59

V

Volume 49
 minimal 67

W

Warm boot 17
Wireless data transfer 56, 57
Wireless LAN 57