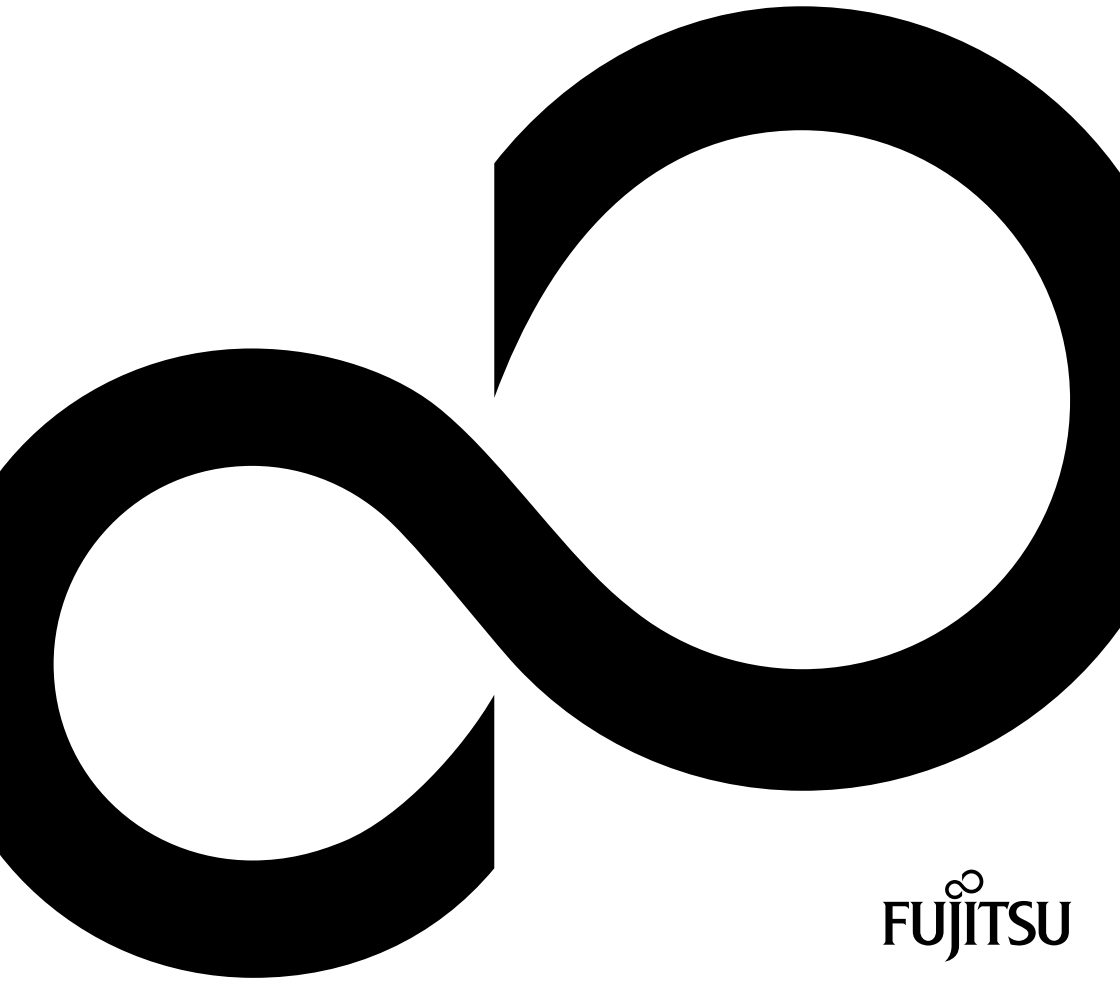


LIFEBOOK T734





Contact address in North America

FUJITSU AMERICA INC:

1250 East Arques Avenue Sunnyvale

CA 94085-3470, U.S.A.

Telephone: 800 831 3183 or 408 746 6000

["http://solutions.us.fujitsu.com"](http://solutions.us.fujitsu.com)

["http://solutions.us.fujitsu.com/contact"](http://solutions.us.fujitsu.com/contact)

Have a question? Email us at: ["AskFujitsu@us.fujitsu.com"](mailto:AskFujitsu@us.fujitsu.com)

Copyright

© 2013 Fujitsu America, Inc. All rights reserved.

B5FK-2311-01ENZO

Copyright and Trademark Information

Fujitsu America, Incorporated has made every effort to ensure the accuracy and completeness of this document; however, as ongoing development efforts are continually improving the capabilities of our products, we cannot guarantee the accuracy of the contents of this document. We disclaim liability for errors, omissions, or future changes.

Fujitsu, the Fujitsu logo and LIFEBOOK are registered trademarks of Fujitsu Limited or its subsidiaries in the United States and other countries.

Intel and Intel Core are trademarks or registered trademarks of Intel Corporation or its subsidiaries in the United States and other countries.

Microsoft and Windows are either registered trademarks or trademarks of Microsoft Corporation in the United States and/or other countries.

The ExpressCard word mark and logo are owned by the Personal Computer Memory Card International Association (PCMCIA) and any use of such marks by Fujitsu America, Incorporated is under license.

Google is a trademark or registered trademark of Google Incorporated.

Bluetooth is a trademark of Bluetooth SIG, Inc., USA.

OmniPass is a trademark of Softex, Inc.

Roxio is a trademark of Roxio, a division of Sonic Solutions.

PowerDirector, PowerDVD, YouCam, and MakeDisc are trademarks of CyberLink Corp.

Adobe, Acrobat, and Adobe Reader are either a registered trademarks or trademarks of Adobe Systems Incorporated in the United States and/or other countries.



Made under license from DTS Licensing Limited. DTS and the symbol are registered trademarks and & DTS Boost is a trademark of DTS, Inc. Product contains software. © DTS, Inc. All rights reserved.

The DVD player found in some models of the LIFEBOOK notebook incorporates copyright protection technology that is protected by method claims of certain U.S. patents and other intellectual property rights owned by Macrovision Corporation and other rights users. Use of this copyright protection technology must be authorized by Macrovision Corporation, and is intended for home and other limited viewing uses only unless authorized by Macrovision Corporation. Reverse engineering or disassembly is prohibited.

All other trademarks specified here are the property of their respective owners.

Fujitsu Contact Information

Service and Support

You can contact Fujitsu Service and Support in the following ways:

- Toll free: 1-800-Fujitsu (1-800-838-5487)
- Website: "<http://solutions.us.fujitsu.com/www/content/support/contact/index.php>"



Before you place the call, you should have the following information ready so that the customer support representative can provide you with the fastest possible solution:

- Product name
- Product configuration number
- Product serial number
- Purchase date
- Conditions under which the problem occurred
- Any error messages that have occurred
- Type of device connected, if any

Fujitsu Shopping Online

Please go to "<http://www.shopfujitsu.com/store/>".

Maintaining Latest Configuration

To ensure that you always have the most current driver updates related to your system, you should occasionally access the Fujitsu Software Download Manager (FSDM) utility. The FSDM utility is available from the Fujitsu Support site. FSDM will allow you to view a list of the most current drivers, utilities, and applications to determine whether you have the latest versions. If you have a Windows 7 operating system, you will need to go to the Support Site to download the FSDM Utility: "<http://support.fujitsu.com/CS/Portal/support.do?srch=DOWNLOADS>".

Limited Warranty

Your LIFEBOOK notebook is backed by a Fujitsu International Limited Warranty. Check the service kit that came with your notebook for the Limited Warranty period and terms and conditions.

LIFEBOOK T734

Operating manual

Innovative technology	7
Ports and controls	9
Important notes	12
First-time setup of your device	15
Working with the notebook	18
Security functions	68
Connecting external devices	75
Removing and installing components during servicing	82
Settings in BIOS Setup Utility	90
Troubleshooting and tips	92
Technical data	99
Manufacturer's notes	102
Index	108

Contents

Innovative technology	7
Further information	7
Notational conventions	8
Ports and controls	9
Important notes	12
Safety notes	12
Additional safety notes for devices with radio components	12
Energy saving	13
Energy saving under Windows	13
Travelling with your notebook	13
Before you travel	13
Notebook: transporting	14
Cleaning the notebook	14
First-time setup of your device	15
Unpacking and checking the device	15
Selecting a location	16
Mains adapter connecting	16
Switching on the device for the first time	17
Working with the notebook	18
Status indicators	18
Opening the notebook	20
Switching on the notebook	21
Programming the ON/OFF switch	21
Different ways to use your notebook	22
From notebook to Tablet PC	22
Select display orientation (portrait or landscape orientation)	24
From Tablet PC to notebook	25
Switching off the notebook	26
Closing the notebook	27
Handwriting recognition under Windows 7	27
LCD screen	28
Ambient Light Sensor	28
Using a device as a tablet PC	28
Using fingers	29
Using the stylus pen	32
Using the device as a notebook	35
Touchpad and touchpad buttons	35
Keyboard	37
Virtual numeric keypad	39
Country and keyboard settings	39
Key combinations	40
Tablet buttons	42
Programming the tablet buttons	43
Webcam	44
Rechargeable battery	45
Charging, caring for and maintaining the battery	45
Removing and installing the battery	46
Battery charge status indicator	48





Module	49
Removing a module	49
Installing a module	50
Optical drive	50
Handling data carriers	50
CD/DVD indicator	51
Inserting or removing a data carrier	51
Manual removal (emergency removal)	52
Removing and fitting the dust removal cover (ventilation slot cover)	52
Using the power-management features	54
Memory cards	55
Supported format	55
Inserting the memory card	55
Removing the memory card	56
ExpressCards	57
Inserting the card	57
Removing the card	58
Loudspeakers and microphones	58
SIM card	59
Inserting the SIM card	59
Removing the SIM card	59
Optional Wireless LAN / Bluetooth / UMTS / LTE wireless components	60
Switching the wireless components on and off	60
Setting up WLAN access	61
Access via UMTS / LTE	61
UMTS/LTE antenna	61
Ethernet and LAN	62
Your Port Replicator (optional)	62
Ports on the Port Replicator	63
Setting up the port replicator	64
Connect the notebook to the port replicator	64
Switching on the notebook via the port replicator	66
Switching off notebook via Port Replicator	66
Disconnecting the notebook from the port replicator	67
Security functions	68
Brief overview of security functions	68
Configuring the fingerprint sensor	69
Using the Security Lock	69
Configuring password protection in BIOS Setup Utility	70
Protecting BIOS Setup Utility (supervisor and user password)	70
Password protection for booting of the operating system	71
Password protection for the hard disk	72
Using the security function of the tablet keys	73
Setting the Supervisor password	73
Setting the User password	73
Entering passwords using the tablet buttons	73
Trusted Platform Module (TPM) (device-dependent)	74
Enabling TPM	74
Disabling TPM	74
Connecting external devices	75
Connecting an external monitor	76
Connecting an external monitor to the DisplayPort	77

HDMI port	78
Connecting USB devices	79
USB port with charging function (Anytime USB charge)	80
How to remove USB devices correctly	80
Connecting external audio devices	81
Microphone port/Line In	81
Headphone port	81
Removing and installing components during servicing	82
Notes on installing and removing boards and components	82
Preparing to remove components	83
Installing and removing memory expansion	83
Removing a cover	84
Removing memory modules	84
Installing a memory module	85
Attaching the cover	85
Removing and installing the hard disk	86
Removing a cover	86
Removing a hard disk	87
Installing a hard disk	88
Attaching the cover	89
Finishing component removal	89
Settings in BIOS Setup Utility	90
Starting the BIOS Setup Utility	90
Operating BIOS Setup Utility	90
Exiting BIOS Setup Utility	91
Exit Saving Changes - save changes and exit BIOS Setup Utility	91
Exit Discarding Changes – Discard changes and exit BIOS Setup Utility	91
Load Setup Defaults – Copy Standard Entries	91
Discard Changes – Discard changes without exiting the BIOS Setup Utility	91
Save Changes - save changes without exiting the BIOS Setup Utility	91
Save Changes and Power Off	91
Troubleshooting and tips	92
Help if problems occur	92
The notebook's date or time is incorrect	93
Battery indicator does not illuminate	93
When certain characters are entered on the keyboard, only numerals are written	93
The notebook's LCD screen remains blank	93
The LCD screen is difficult to read	94
The external monitor remains blank	94
The external monitor is blank or the image is unstable	94
The cursor does not correctly follow the pen movements	95
Pen input not working	95
The notebook cannot be started	95
The notebook stops working	96
The printer does not print	96
The radio connection to a network does not work	96
The battery discharges too quickly	96
Acoustic warnings	97
Error messages on the screen	97
Technical data	99

Contents

Notebook	99
Port Replicator (optional)	100
Rechargeable battery	101
Mains adapter for use with the notebook and port replicator	101
Manufacturer's notes	102
Disposal and recycling	102
Declarations of Conformity	102
CE marking	102
Regulatory notices	102
Regulatory information for notebooks without radio device	103
DOC (Industry CANADA) notices	104
FCC regulatory information for notebooks with radio device	106
Index	108

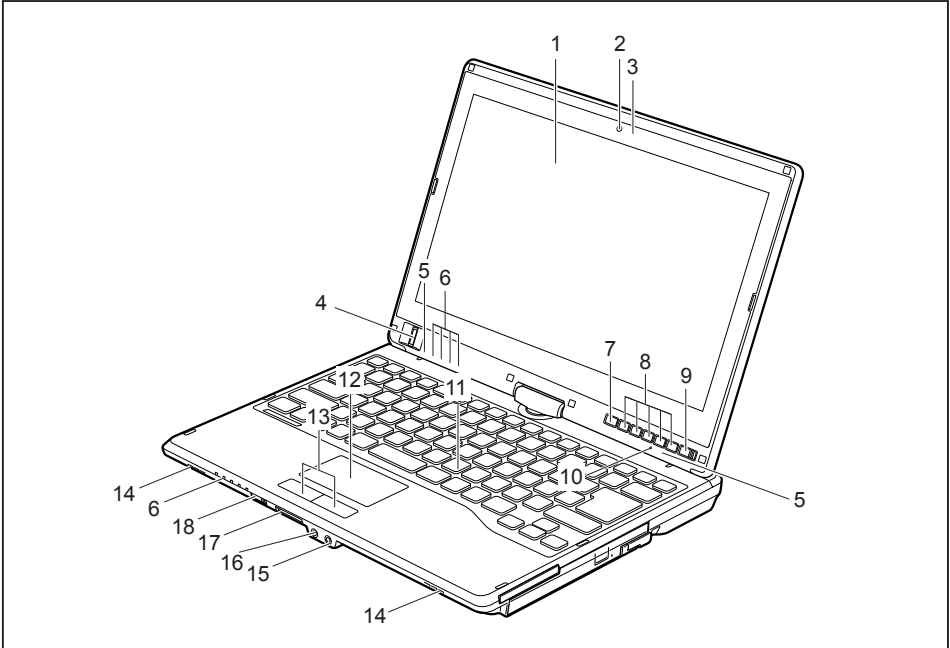
Notational conventions

	<p>Pay particular attention to text marked with this symbol. Failure to observe these warnings could pose a risk to health, damage the device or lead to loss of data. The warranty will be invalidated if the device becomes defective through failure to observe these warnings.</p>
	<p>Indicates important information for the proper use of the device.</p>
	<p>Indicates an activity that must be performed</p>
	<p>Indicates a result</p>
<p>This font</p>	<p>indicates data entered using the keyboard in a program dialogue or at the command line, e.g. your password (Name123) or a command used to start a program (start.exe)</p>
<p>This font</p>	<p>indicates information that is displayed on the screen by a program, e.g.: Installation is complete.</p>
<p><i>This font</i></p>	<p>indicates</p> <ul style="list-style-type: none"> • terms and texts used in a software interface, e.g.: Click on <i>Save</i> • names of programs or files, e.g. <i>Windows</i> or <i>setup.exe</i>.
<p>"This font"</p>	<p>indicates</p> <ul style="list-style-type: none"> • cross-references to another section, e.g. "Safety information" • cross-references to an external source, e.g. a web address: For more information, go to "http://www.fujitsu.com/fts/" • Names of CDs, DVDs and titles or designations for other materials, e.g.: "CD/DVD Drivers & Utilities" or "Safety/Regulations" manual
<p>Key</p>	<p>indicates a key on the keyboard, e.g: F10</p>
<p>This font</p>	<p>indicates terms and texts that are emphasised or highlighted, e.g.: Do not switch off the device</p>

Ports and controls

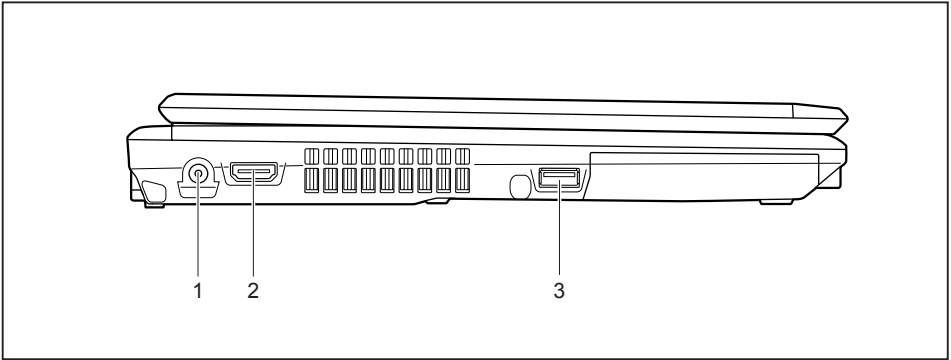
This chapter presents the individual hardware components of your device. It gives you an overview of the device's indicators and connections. Please familiarise yourself with these components before you start to work with the device.

Notebook open



- | | |
|------------------------|--|
| 1 = LCD screen | 10 = Ambient light sensor |
| 2 = WebCam (optional) | 11 = Keyboard |
| 3 = WebCam LED | 12 = Touchpad |
| 4 = Fingerprint sensor | 13 = Touchpad buttons |
| 5 = Microphone | 14 = Loudspeakers |
| 6 = Status indicators | 15 = Microphone jack |
| 7 = Windows button | 16 = Headphone port |
| 8 = Tablet buttons | 17 = Memory card slot |
| 9 = ON/OFF switch | 18 = ON/OFF switch for wireless components |

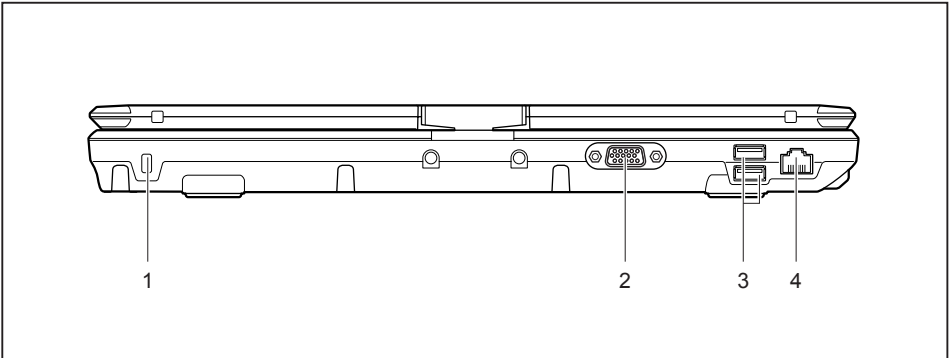
Left panel



- 1 = DC input connector (DC IN)
- 2 = HDMI port

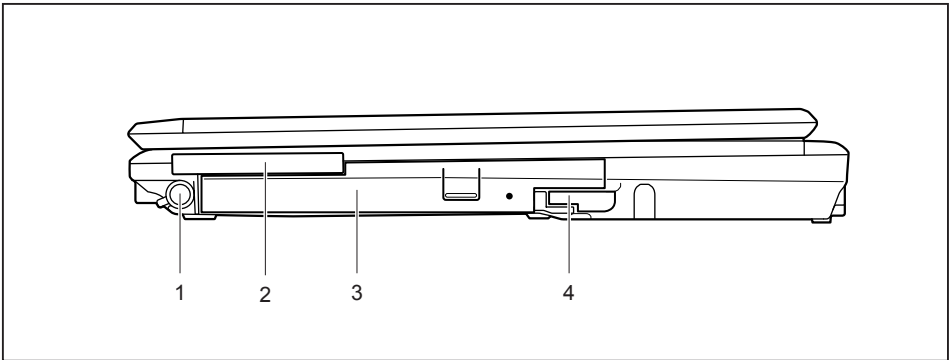
- 3 = USB port with charging function (Anytime USB charge, USB 3.0)

Rear



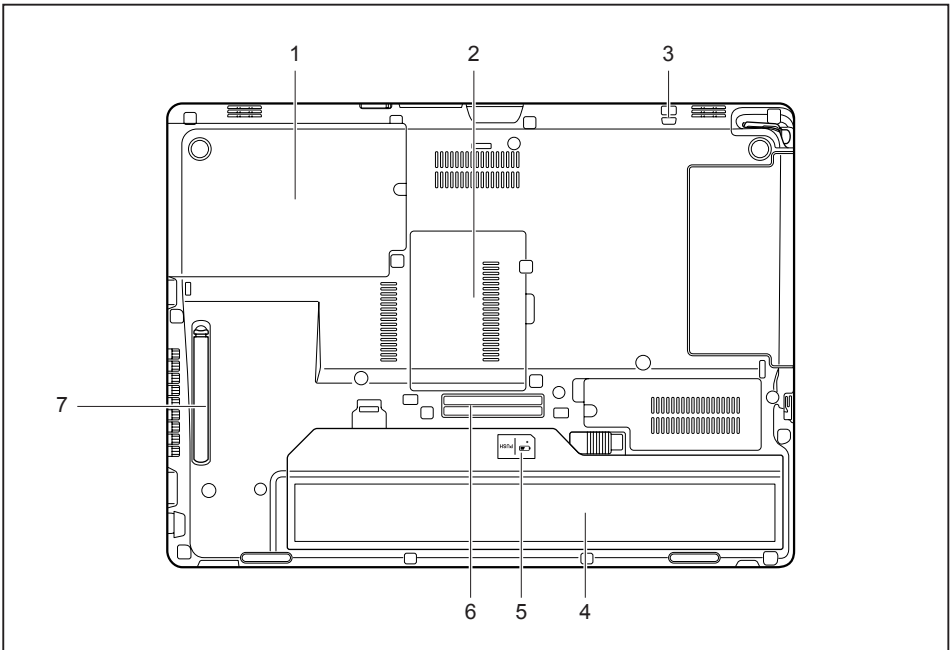
- 1 = Security Lock device
- 2 = VGA monitor port

- 3 = USB ports (USB 2.0)
- 4 = LAN port

Right-hand side

1 = Pen slot
2 = ExpressCard slot

3 = Module bay with optical drive
4 = Eject lever for module bay

Bottom

1 = Hard disk service compartment
2 = Memory service compartment
3 = Attachment eye for the pen cord
4 = Battery with SIM card slot under the battery

5 = Battery charge status indicator
6 = Port for port replicator
7 = Ventilation slot cover

Important notes



This chapter contains essential safety information which must be followed when working with your notebook. Other notes also provide useful information which will help you with your notebook.

Safety notes



Please follow the safety notes provided in the "Safety/Regulations" manual as well as the safety notes given below.

Please pay special attention to the sections in the manual marked with the symbol on the left.

When connecting and disconnecting cables, observe the relevant notes in this operating manual.

Read the information on the ambient conditions in the ["Technical data", Page 99](#) and ["First-time setup of your device", Page 15](#) before preparing your notebook for use and switching it on for the first time.

When cleaning the device, please observe the relevant notes in the section ["Cleaning the notebook", Page 14](#).

Pay attention to the additional safety notes for devices with radio components provided in the "Safety/Regulations" manual.

Please refer to the notes in the chapter ["Removing and installing components during servicing", Page 82](#).

This notebook complies with the relevant safety regulations for data processing equipment. If you have questions about using your notebook in a particular area, please contact your sales outlet or our Hotline/Service Desk.

Additional safety notes for devices with radio components

If a radio component (Wireless LAN, Bluetooth, UMTS/LTE) is incorporated in your notebook, you must be sure to observe the following safety notes when using your notebook:

- Switch off the radio components when you are in an aircraft or driving in a car.
- Switch off the radio components when you are in a hospital, an operating room or near a medical electronics system. The transmitted radio waves can impair the operation of medical devices.
- Switch off the radio components when you let the device get near flammable gases or into hazardous environments (e.g. petrol station, paintshops), as the transmitted radio waves can cause an explosion or a fire.



For information on how to switch radio components on and off, see chapter ["Switching the wireless components on and off", Page 60](#).

Energy saving

Switch the notebook off when it is not in use. Switch off external, connected devices if you are not using them. If you use the energy saving functions, the notebook uses less energy. You will then be able to work for longer before having to recharge the battery.



Energy efficiency is increased and the environmental impact is reduced. You save money while protecting the environment.

Energy saving under Windows

- ▶ Make use of the power management features (see ["Using the power-management features", Page 54](#)).

Travelling with your notebook

Please observe the points listed below when travelling with your notebook.

Before you travel

- ▶ Back up important data stored on your hard disk.
- ▶ Switch off the radio component for data security reasons. With data traffic via a wireless connection, it is also possible for unauthorised third parties to receive data.



Information on activating data encryption is provided in the documentation for your radio component.

- ▶ If you wish to use your notebook during a flight, first check with the flight attendants if it is OK to do so.

When travelling in other countries

- ▶ If you are travelling abroad, check that the mains adapter can be operated with the local mains voltage. If this is not the case, obtain the appropriate mains adapter for your notebook. Do not use any other voltage converter!
- ▶ Check whether the local mains voltage and the power cable are compatible. If this is not the case, buy a power cable that matches the local conditions.
- ▶ Enquire with the corresponding government office of the country you will be travelling in as to whether you may operate the radio component integrated in your notebook there (see also ["CE marking", Page 102](#)).

Notebook: transporting



Protect the notebook from severe shocks and extreme temperatures (e.g. direct sunlight in a car).

- ▶ If your device has an optical drive, remove all data media (e.g. CD, DVD) from the drives.
- ▶ Switch the notebook off.
- ▶ Unplug the mains adapter and all external devices from the power socket.
- ▶ Disconnect the mains adapter cable and the data cables for all external devices.
- ▶ Close the LCD screen.
- ▶ To protect against damaging jolts and bumps, use a notebook carrying case to transport your notebook.

Cleaning the notebook



Do not clean any interior parts yourself; leave this job to a service technician.

Only use cleaning products designed for computers. Normal household cleaners and polishes can damage the markings on the keyboard and the device, the paintwork or the notebook itself.

Ensure that no liquid enters the notebook.

The LCD screen very sensitive to scratches. Only clean the display surface with a very soft, slightly damp cloth.

- ▶ Switch the notebook off.
- ▶ In order to prevent accidentally switching the device on, remove the power cable from the mains adaptor and remove the battery (see "[Removing and installing the battery](#)", Page 46).
- ↳ The surface can be cleaned with a dry cloth. If particularly dirty, use a cloth which has been moistened in mild domestic detergent and then carefully wrung out.
To clean the keyboard and the touchpad, if available, you can use disinfectant wipes.
Ensure that no liquid enters the device.

First-time setup of your device



Please read the chapter "[Important notes](#)", [Page 12](#).

If your device is equipped with a Windows operating system, the necessary hardware drivers and supplied software are already pre-installed.

Before you switch on the device for the first time, connect it to the mains voltage using the mains adapter, see "[Mains adapter connecting](#)", [Page 16](#). The mains adapter must be connected during the entire installation process.

A system test is performed when your device is first switched on. Various messages can appear. The display may remain dark for a short time or may flicker.

Please follow the instructions on the screen.

NEVER switch off your device during the first-time setup process.

On delivery, the battery can be found in the battery compartment or in the accessories kit. The battery must be charged if you want to operate your device using the battery.

When used on the move, the built-in battery provides the device with the necessary power. You can increase the operating time by using the available energy-saving functions.

For instructions on how to connect external devices (e.g. mouse, printer) to your device, please refer to the operating manual for your device.

Unpacking and checking the device



Should you discover any damage that occurred during transportation, notify your local sales outlet immediately!

- ▶ Unpack all the individual parts.
- ▶ Check your device for any visible damage which may have occurred during transportation.



You may need the packaging in the future, if you need to transport your device.

Selecting a location



Select a suitable location for the device before setting it up. Follow the instructions below when doing so:

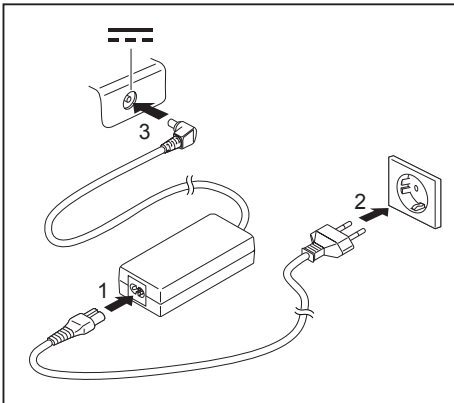
- Never place the device or the mains adapter on a heat-sensitive surface. The surface could be damaged as a result.
- Never place the device on a soft surface (e.g. carpeting, upholstered furniture, bed). This can block the air vents and cause overheating and damage.
- The underside of the device heats up during normal operation. Prolonged contact with the skin may become unpleasant or even result in burns.
- Place the device on a stable, flat, non-slippery surface. Please note that the rubber feet of the device may mark certain types of delicate surfaces.
- Keep other objects at least 100 mm away from the device and its mains adapter to ensure adequate ventilation.
- Never cover the ventilation slots of the device.
- Do not expose the device to extreme environmental conditions. Protect the device from dust, humidity, and heat.

Mains adapter connecting



Observe the safety notes in the enclosed "Safety/Regulations" manual.

The supplied power cable conforms to the requirements of the country in which you purchased your device. Make sure that the power cable is approved for use in the country in which you intend to use it.



- ▶ Connect the power cable (1) to the mains adapter.
- ▶ Plug the mains cable (2) into a mains outlet.
- ▶ Connect the mains adapter cable (3) to the DC jack (DC IN) of the device.

Switching on the device for the first time

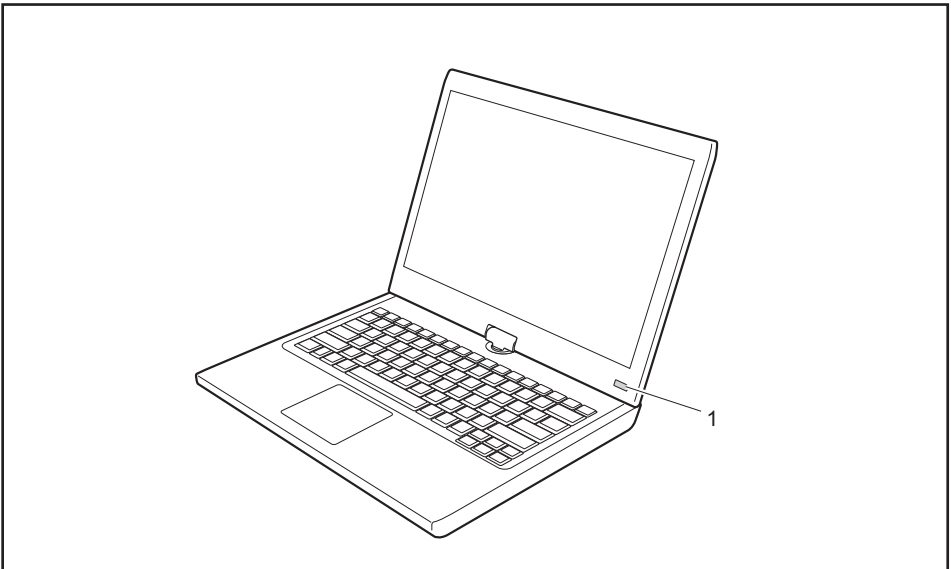


On devices with ON/OFF switch for wireless components: Slide the ON/OFF switch for wireless components to the ON position before switching on the device.

When you switch on the device for the first time, the supplied software is installed and configured. Because this procedure must not be interrupted, you should set aside enough time for it to be fully completed and connect the device to the mains using the mains adapter.

During the installation process, **DO NOT** restart the device unless you are requested to do so!

To make it easier to use your device for the first time, the operating system is pre-installed on the hard disk.



- ▶ Slide the ON/OFF switch (1) to the right to switch on the notebook.
- ↳ The ON/OFF switch returns automatically to its original position.
- ▶ During installation, follow the instructions on screen.



If a Windows operating system is installed on your device, you will find more information on the system and drivers, help programmes, updates, manuals etc. on the device or on the Internet under ["http://www.fujitsu.com/fts/support/"](http://www.fujitsu.com/fts/support/).

Working with the notebook

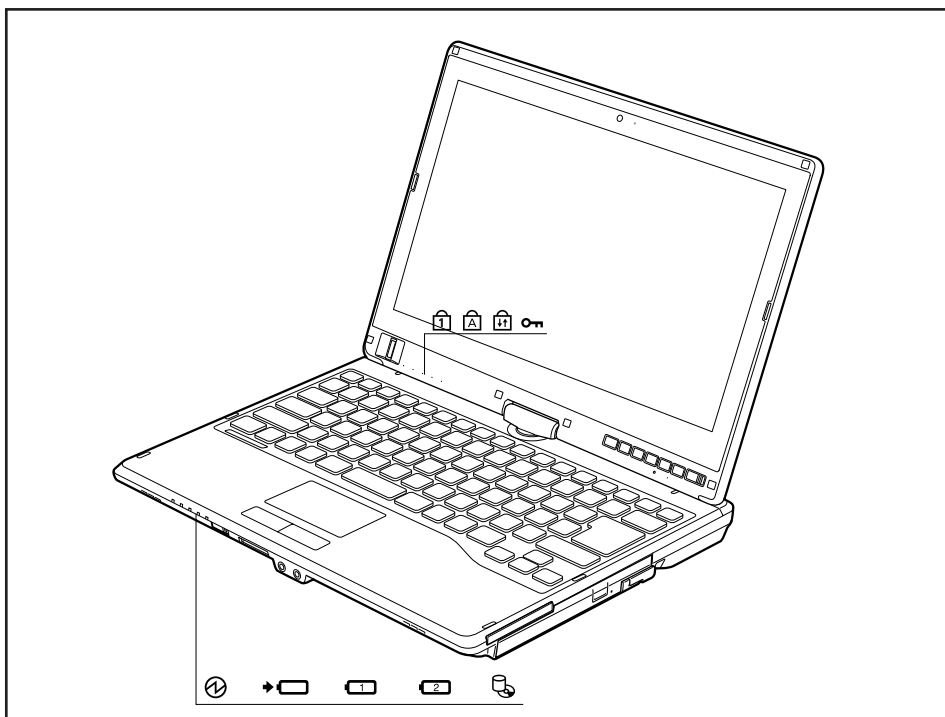
This chapter describes the basics for operating your notebook. Please read the chapter entitled "[Connecting external devices](#)", [Page 75](#) for instructions on how to connect devices such as a mouse and a printer to the notebook.











Please refer to the notes in "[Important notes](#)", [Page 12](#).

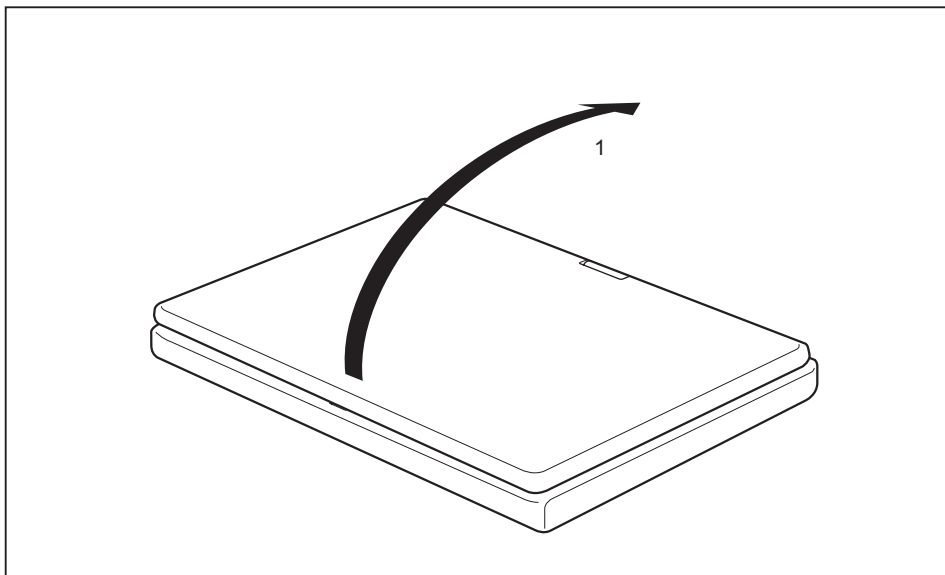
Status indicators

The status indicators provide information about the status of the power supply, the drives and the keyboard functions etc.



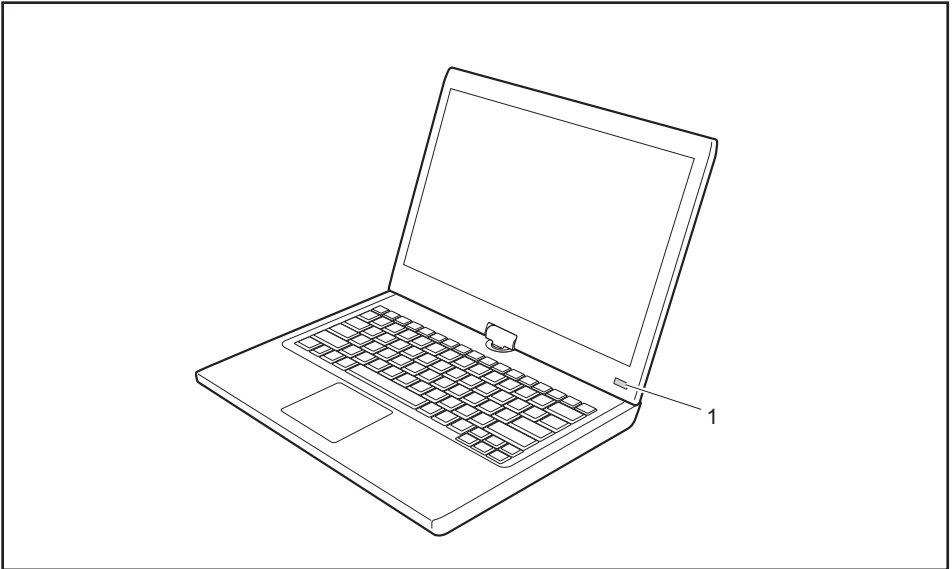
Status displays	Description
	<p>Power-on indicator</p> <ul style="list-style-type: none"> Indicator is illuminated: The notebook is switched on. Indicator flashes: The notebook is in sleep mode (Save-to-RAM). The indicator is not illuminated: The notebook is switched off or in Save-to-Disk mode.
	<p>Battery charging indicator</p> <p>The battery charging indicator shows whether a battery is installed and being charged.</p>
	<p>Battery indicator</p> <p>This description applies for both batteries.</p> <p>The battery indicator shows the state of charge of the installed battery.</p> <ul style="list-style-type: none"> The indicator is lit green: The battery is between 51 % and 100 % charged. The indicator is lit orange: The battery is between 13 % and 50 % charged. The indicator is lit red: The battery is between 0 % and 12 % charged. The indicator flashes orange: The battery state of charge is being checked (for four seconds after battery installation). The indicator flashes red: The battery is faulty. The indicator is not lit: There is no battery installed. <p>Note: You can also check the state of charge directly at the main battery.</p>
	<p>Drive indicator</p> <p>Indicator is illuminated: The hard disk drive or the CD/DVD in the optical drive of the notebook is being accessed.</p>
	<p>Num Lock indicator</p> <p>Indicator is lit: The [Num] key has been pressed. The virtual numerical keypad is activated. You can output the characters indicated on the upper right of the keys.</p>
	<p>Caps Lock indicator</p> <p>Indicator is lit: The Caps Lock key has been pressed. All letters will be output as uppercase letters. In the case of keys labelled several times, the character printed on the upper left of the key will appear when that key is pressed.</p>
	<p>Scroll Lock indicator</p> <p>Indicator is lit: The key combination [Fn] + [Scr] has been pressed. The effect that this key has varies between applications.</p>
	<p>Lock Workstation indicator</p> <p>The indicator is illuminated: The security functions of the Notebook have locked your workstation.</p>

Opening the notebook



- ▶ Open the LCD screen.

Switching on the notebook



- ▶ Slide the ON/OFF switch (1) to the right to switch on the notebook.
 - ↳ The ON/OFF switch returns automatically to its original position.
- The ON/OFF switch (1) lights up whenever the system is switched on.

Programming the ON/OFF switch

You can program the ON/OFF switch:

Operating system	Menu
Windows 7	<i>Start - (Settings) - Control Panel - System and Security - Power Options</i>



If you have assigned a password, you must enter this when requested to do so, in order to start the operating system. Detailed information can be found in the chapter ["Security functions", Page 68.](#)

Different ways to use your notebook

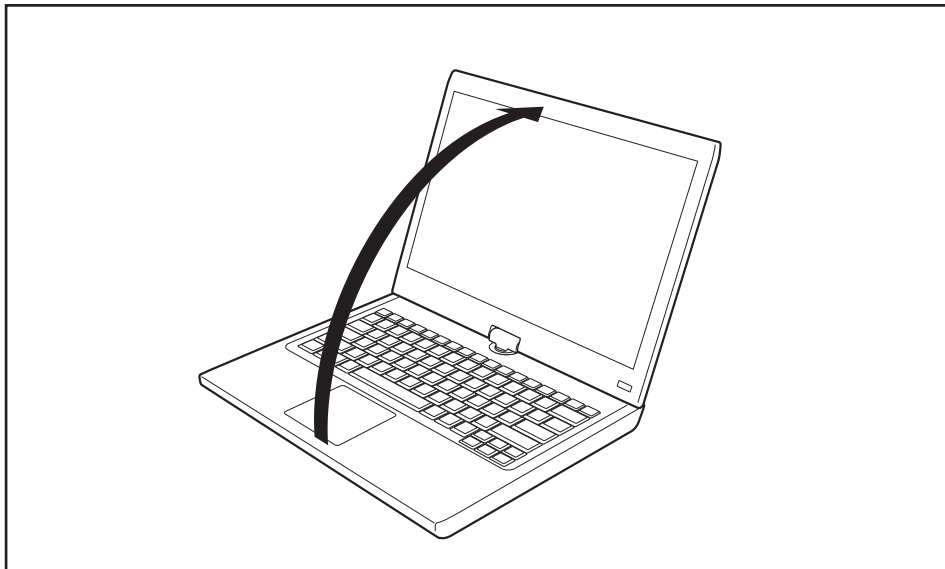
During your daily work, you can use your notebook as a tablet PC or as a notebook, just as you wish.



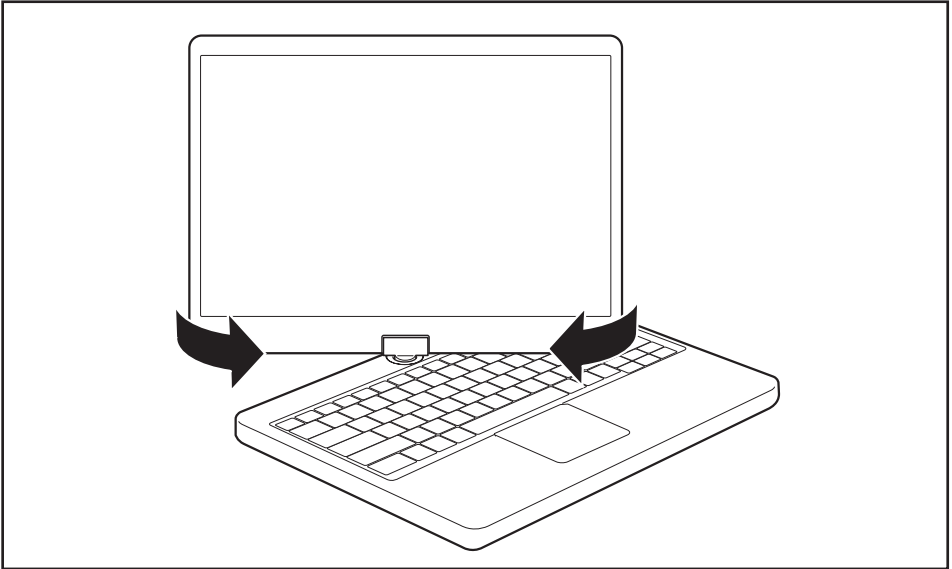
Note the direction of rotation in the following description! No guarantee claims can be met for damage caused by turning in the wrong direction.

You must note that the display cannot be turned completely on its own axis!

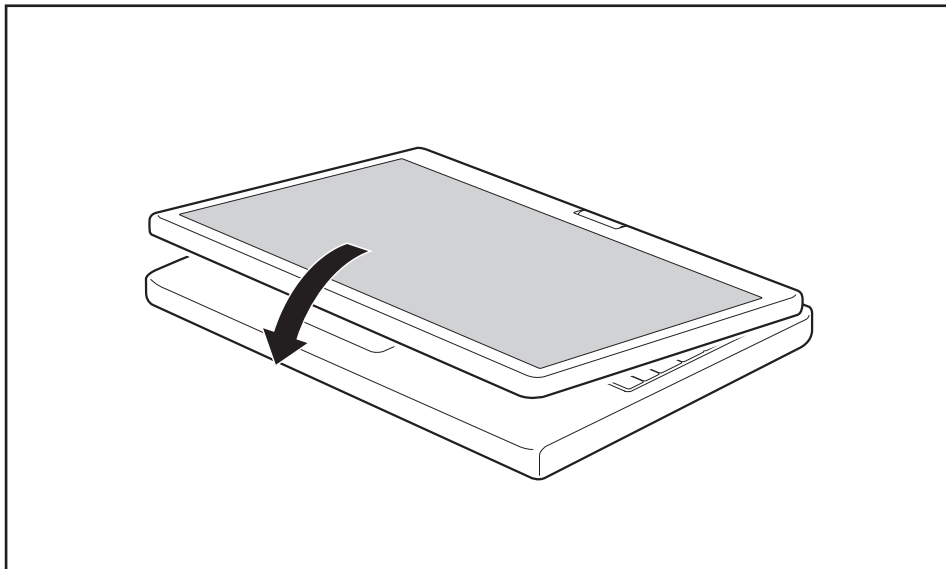
From notebook to Tablet PC



- ▶ Raise the LCD display into a vertical position.




- ▶ Hold the screen as low as possible on both sides. Turn the screen to the left or right in the direction of the arrow. At first you will feel some slight resistance, then it will turn easily and without friction.
- ▶ Turn the display further until it has turned 180° and the hinge latches in.



- ▶ Now fold the screen down until the back of the screen is flat on top of the keyboard.
- ↳ The screen is now secured in the tablet position.

Select display orientation (portrait or landscape orientation)

You can choose to use either portrait or landscape orientation for the display. To switch between portrait or landscape orientation, press the tablet button: 



Windows 7

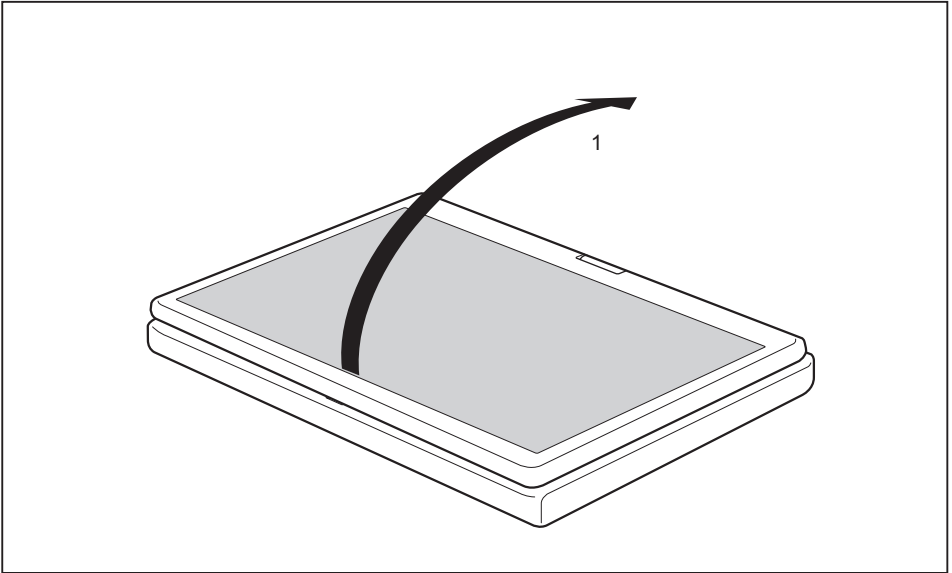
You can change these settings in the Fujitsu menu or under *Start - (Settings -) Control Panel - Hardware and Sound - Display - Settings*.



Profiles for operating with various different screen modes can be selected via the *Fujitsu Tablet Control* option in the Fujitsu menu. These profiles have preset standard configurations that can be modified as desired.

These settings do not just affect the monitor settings on the Tablet PC, but also any external monitors that may be connected.

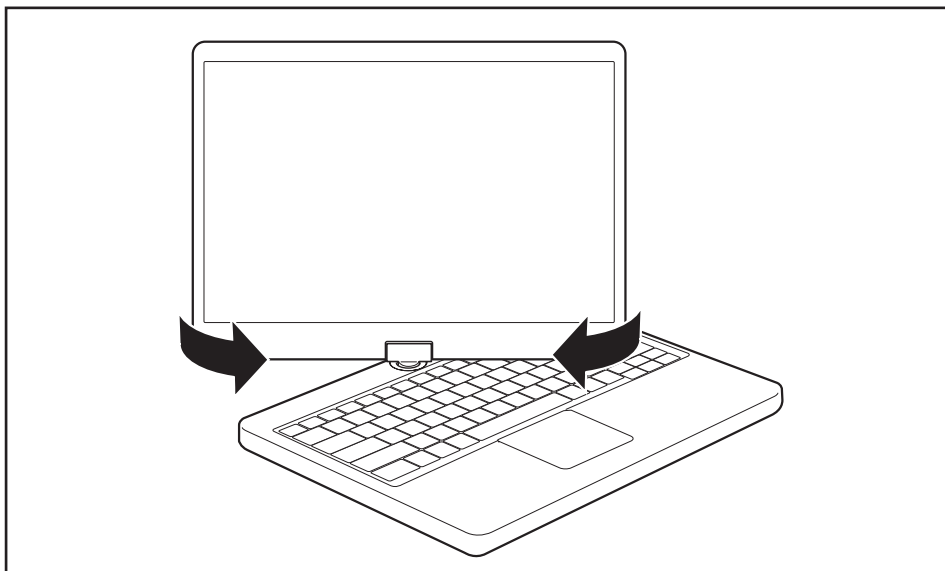
From Tablet PC to notebook



- ▶ Raise the LCD screen into a vertical position.



Note the direction of rotation in the following description! No guarantee claims can be met for damage caused by turning in the wrong direction.

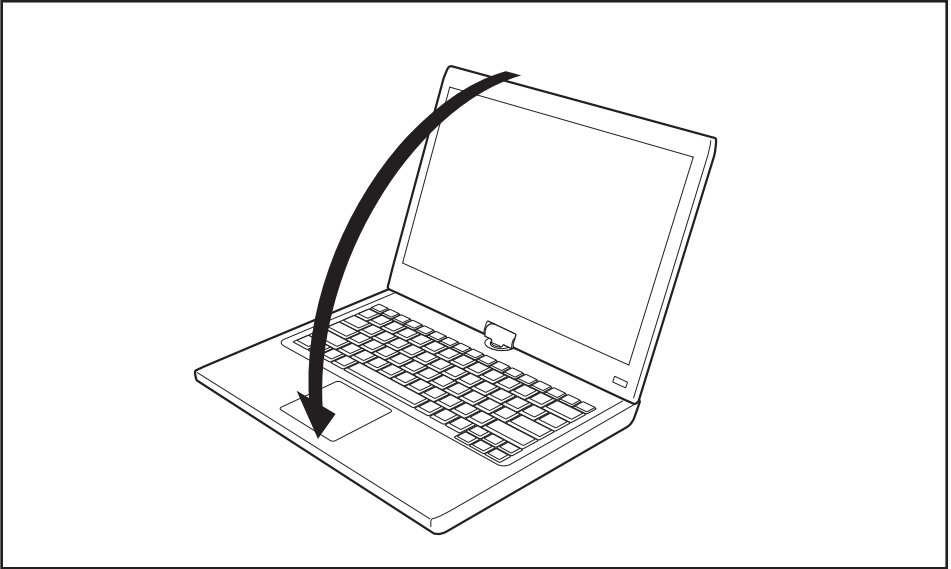


- ▶ hold the screen as near to the bottom as possible on both sides and turn the screen in the direction indicated by the rotational direction indicator. It will turn easily and without resistance.
- ▶ Turn or move the display further until it has turned 180° and the hinge latches in.

Switching off the notebook

- ▶ Close all applications and then shut down the operating system (please see the "Operating System Manual").
- ▶ Slide the ON/OFF switch towards the right.
- ↳ The ON/OFF switch returns automatically to its original position.

Closing the notebook



- ▶ Fold the LCD screen down onto the lower part of the notebook until you feel it lock into place.

Handwriting recognition under Windows 7

Handwriting recognition under Windows 7 currently supports the following languages:

English, German, French, Italian, Japanese, Korean, Chinese (traditional and simplified), Dutch, Portuguese, Spanish, Brazilian, Norwegian (Bokmål and Nynorsk), Swedish, Finnish, Danish, Polish, Rumanian, Serbian (Cyrillic and Latin script), Catalan, Russian, Czech and Croatian.

LCD screen

High-quality TFT displays are installed in notebooks from Fujitsu Technology Solutions GmbH. For technical reasons, TFT monitors are manufactured for a specific resolution. An optimal, clear picture can only be ensured with the correct resolution intended for the relevant TFT monitor. A monitor resolution which differs from the specification can result in an unclear picture.

The screen resolution of the LCD monitor of your notebook is optimally set at the factory.

The standard of production techniques today cannot guarantee an absolutely fault-free screen display. A few isolated constant lit or unlit pixels (picture elements) may be present. The maximum permitted number of pixels faults is stipulated in the international standard ISO 9241-3 (Class II).

Example:

A screen with a resolution of 1280 x 800 has $1280 \times 800 = 1024000$ pixels. Each pixel consists of three subpixels (red, green and blue), so there are about 3 million subpixels in total. According to ISO 9241-3 (class II), a maximum of 2 light and 2 dark pixels and in addition 5 light or 10 dark subpixels or an equivalent mix (1 light subpixel counts as 2 dark subpixels) are allowed to be defective.

At a resolution of $1600 \times 900 = 1440000$ pixels, a maximum of 3 light and 3 dark pixels and in addition 7 light or 14 dark subpixels are allowed to be defective.

Pixel	A pixel consists of 3 subpixels, normally red, green and blue. A pixel is the smallest element that can be generated by complete functionality of the display.
Subpixel	A subpixel is a separately addressable internal structure within a pixel that enhances the pixel function.
Cluster	A cluster contains two or more defective pixels or subpixels in a 5 x 5 pixel block.

Background lighting

TFT monitors are operated with background lighting. The luminosity of the background lighting can decrease during the period of use of the notebook. However, you can set the brightness of your monitor individually.

Synchronising the display on the LCD screen and an external monitor

For more information, please refer to the chapter "[Key combinations](#)", [Page 40](#) under "Display output, switch between".

Ambient Light Sensor

In the case of delivery with a *Windows* operating system, the screen brightness is regulated by means of the ambient light sensor and depending on the particular light conditions. This results in optimum readability and longer battery life at the same time.

Using a device as a tablet PC

You can execute commands as follows:

- using the stylus pen (supplied with your device).
- using your fingers

Using fingers

You can execute certain commands by using your finger tip on the touchscreen of your device.



Everything which you can select or activate using your finger tip can also be selected or activated using the stylus pen.

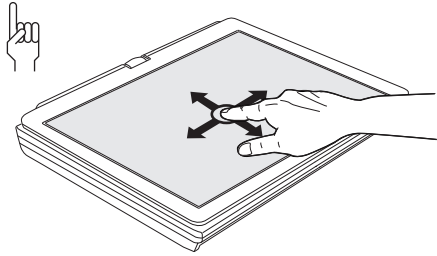
Calibrate the Dual Digitizer for finger-based operation of the device.




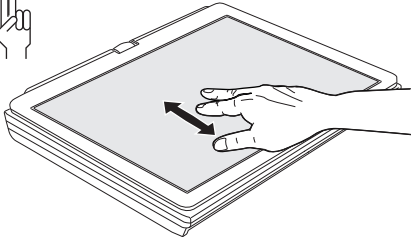

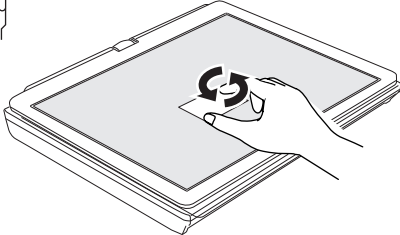
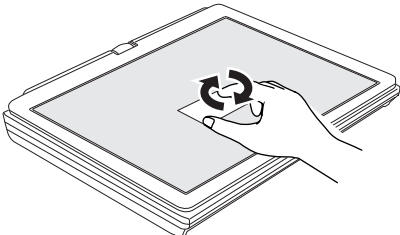
Please see the appropriate supplementary sheet for instructions on how to calibrate your device to use Dual Digitizer Technology.

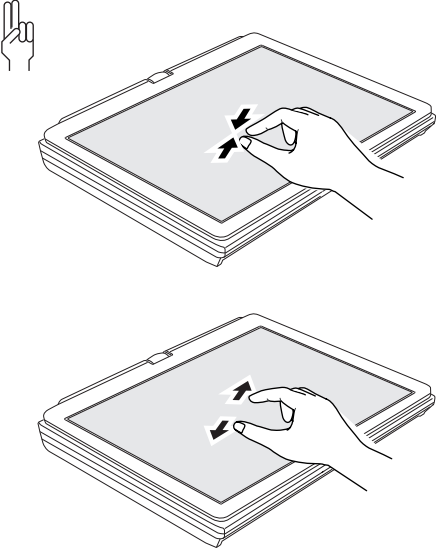
Please note: There are separate calibration programs available for calibrating the stylus pen and for calibrating finger-based operation. In each case, use the calibration tool described in the supplementary sheet. Do not use the calibration tool for the stylus pen to calibrate finger-based operation.

Actions with one finger

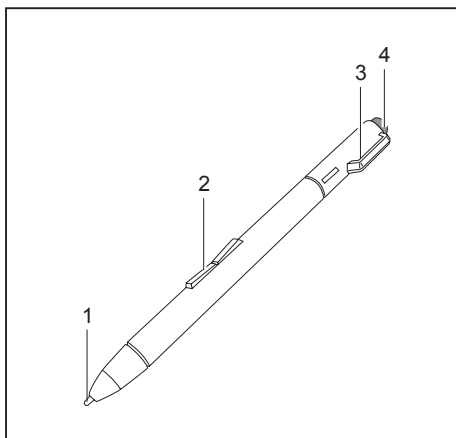
Action	Description
Selecting objects (click with the left mouse button)	▶ With your finger, tap once briefly on the object.
Starting programs (double-click with the left mouse button)	▶ With your finger, tap twice briefly in quick succession on the program icon.
Moving objects/windows (drag with left mouse button pressed, Drag & Drop)	 <p>▶ Place a finger directly on the object/window, hold the finger pressed against the touchscreen and move the desired object/window.</p>
Opening a context menu (click with the right mouse button)	<p>▶ Touch the desired item once with your finger tip. Keep the finger tip pressed against the touchscreen.</p> <p>The context menu appears.</p>
Moving the cursor	▶ Position one finger on the touchscreen and move the finger in the desired direction.

Actions with two fingers

Action	Description
Scrolling	  <ul style="list-style-type: none">▶ Position two fingers on the touchscreen.▶ Move your fingers upwards to scroll up. or <ul style="list-style-type: none">▶ Move your fingers downwards to scroll down.
Rotating	   <ul style="list-style-type: none">▶ Position the thumb on the touchscreen, then turn the picture clockwise or counter-clockwise using your index finger.

Action	Description
Increasing or decreasing the view	 <p data-bbox="572 815 1028 954">▶ Position two fingers on the touchscreen and move them apart to increase the view. or ▶ Position two fingers on the touchscreen and move them together to decrease the view.</p>
Blocking context-sensitive menus	▶ With two fingers, tap twice briefly in quick succession on the touchscreen.

Using the stylus pen



- 1 = pen tip
- 2 = rocker button
- 3 = eyelet for pen cord
- 4 = eraser

You can use the pen on your notebook as an electronic writing implement to select items and to navigate through menu options and programs. Programs that support handwriting recognition also allow you to write characters directly on the screen with the pen. You can also use the pen as a drawing tool.

The notebook pen is retained securely in the pen slot. This ensures that the pen cannot be lost, regardless of whether you use the notebook as a Tablet PC or as a notebook, or transport it while travelling. Always replace the pen in its slot when you are not using it.

The notebook is supplied with a pen cord which you can attach to the eyelets on the pen and on the notebook.



Only use the pen provided with your notebook. Do not use substitute pen tips that were not specially designed for your notebook. Replace the stylus tip if it is worn. The warranty does not cover a scratched screen.

While writing, you should take care not to scratch the surface of the display (e.g. with a wristwatch or bracelet).

i

The pen of your notebook is an electronic instrument which can be damaged if used incorrectly. Handle the pen with care.

The following list contains guidelines for proper pen handling:

- Do not gesture with the pen.
- Do not use the pen as a pointer.
- Never use the pen on any other surface than the screen of your notebook.
- Do not try to turn the thumb grip on the pen. The thumb grip is used to place the pen in its slot and to take it out of the slot.
- Never store the pen with the tip bearing the weight of the pen (e.g. with the tip down in a pen holder). If the pen is stored with the tip pointing down, this may have an adverse effect on the pen mechanism (particularly under high temperatures). In this case the pen tip may react as though it is constantly being pressed down. To avoid damage, the pen should be stored in the pen slot when not in use.

The pen can be influenced by electromagnetic fields (cursor quivers or jumps). There may be a few areas on the screen where the cursor quivers slightly in spite of pressing the pen down firmly.

The screen responds to entries made with the tip of the finger or the pen when the tip of the finger or the pen is in direct contact with the screen.

You can use the pen to perform all the functions for which you would otherwise use a mouse. In addition, you can conveniently delete hand-written pen entries using the pen.

Handling	Mouse	Pen
Selecting menu entries	Click with the left-hand mouse button.	Touch the menu entry with the pen tip.
Starting programs	Double click with the left-hand mouse button.	Briefly touch the program icon twice with the pen tip.
Moving objects/windows	Drag with the left-hand mouse button held pressed.	Place the pen tip directly on the object/window. Hold the pen tip pressed against the screen. Move the desired object/window.
Opening a context menu	Click with the right-hand mouse button.	Touch the desired element with the pen and leave the pen on the element for a moment.
Moving the cursor	-	Place the pen tip directly on the screen.

Setting the pen

Operating system	Menu
Windows 7	Under <i>Hardware and Sound – Pen and Input Devices</i> in the Control Panel you can change various settings for the pen (assignment and function of the pen button).

Calibrating the pen

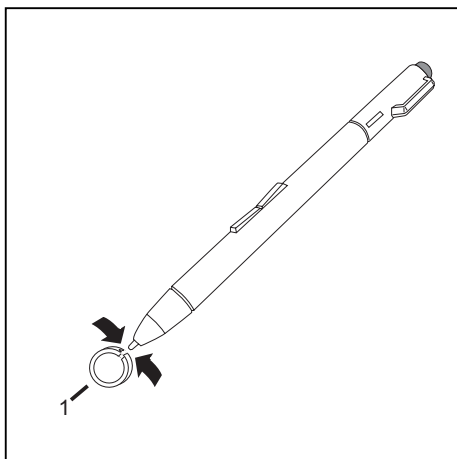
Before using the pen for the first time, you should calibrate it so that the cursor follows the movements of the pen as accurately as possible. You should also always repeat the calibration if the co-ordination between the pen and cursor movement deteriorates.

Operating system	Menu
Windows 7	To calibrate, call up the <i>Hardware and Sound / Tablet PC Settings</i> function in the Control Panel. You need to calibrate both portrait and landscape formats.

Replacing the pen tip

With use, the pen tip may become worn or may pick up foreign particles that can scratch the screen. A damaged or worn tip may not move freely, causing unpredictable results when using the pen.

If your pen exhibits these problems, you should replace the pen tip. To do this, use the supplied tool (1).



- ▶ To remove the tip, position the tip in the gap between the two ends of the tool supplied.
- ▶ Pinch the two ends of the supplied tool together so that the tip is firmly clasped, then pull it from the barrel.
- ▶ To replace the tip, retrieve one of the new tips that were supplied your pen. Insert the flat end of the tip into the barrel and exerting gentle pressure, push it in until it is firmly in place.



If the tip is worn or damaged, discard it.

Installing a pen cord

You should attach the pen with a pen cord to prevent accidentally dropping or losing it.

- ▶ Attach the end of the pen cord with the smaller loop to your pen.
- ▶ Attach the end of the pen cord with the larger loop to your notebook.

Using the device as a notebook

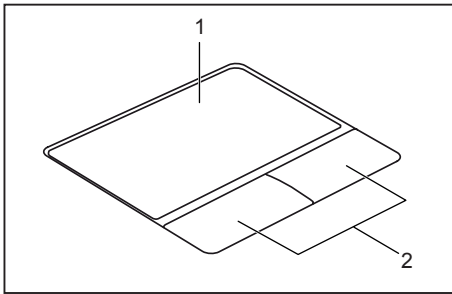
Touchpad and touchpad buttons



Keep the touchpad clean. Protect it from dirt, liquids and grease.

Do not use the touchpad if your fingers are dirty.

Do not rest heavy objects (e.g. books) on the touchpad or the touchpad buttons.



1 = Touchpad

2 = Touchpad buttons

The touchpad enables you to move the mouse pointer on the screen.

The touchpad buttons allow you to select and execute commands. They correspond to the buttons on a conventional mouse.



You can use a key combination to disable the touchpad, to avoid accidentally moving the pointer on the screen (see also ["Key combinations", Page 40](#)).

Moving the pointer

- ▶ Move your finger on the touchpad.
- ↳ The pointer will move.

Selecting an item

- ▶ Move the pointer to the item you wish to select.
- ▶ Tap the touchpad once or press the left button once.
- ↳ The item is selected.

Executing commands

- ▶ Move the pointer to the field you wish to select.
- ▶ Tap the touchpad twice or press the left button twice.
- ↳ The command is executed.

Dragging items

- ▶ Select the desired item.
- ▶ Press and hold the left button and drag the item to the desired position with the finger on the touchpad.
- ↳ The item will be moved.

Switching the Touchpad on and off



You can switch the Touchpad on and off using a key combination, see "[Key combinations](#)", [Page 40](#).

Keyboard

i

The keyboard of your notebook is subject to continuous wear through normal use. The key markings are especially prone to wear. The key markings are liable to wear away over the life of the notebook.

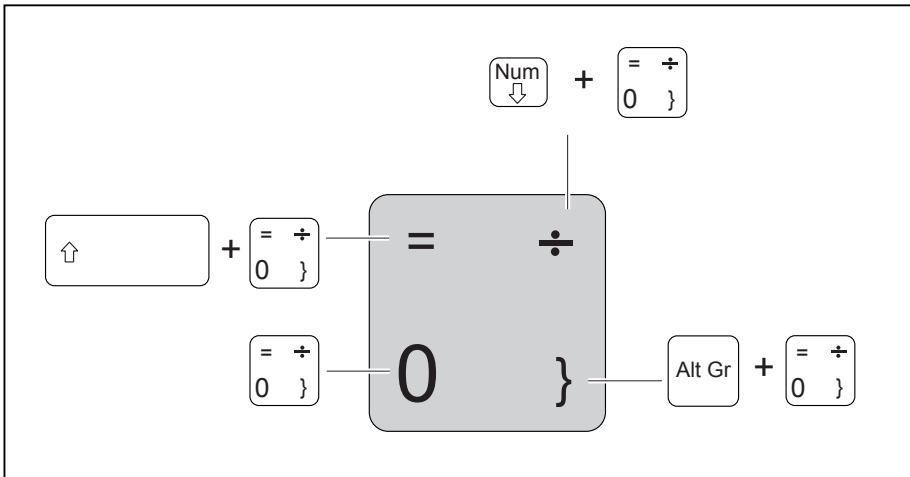
The keyboard has been designed to provide all the functions of an enhanced keyboard. Some enhanced keyboard functions are mapped with key combinations.


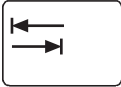




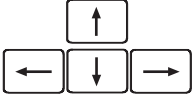


The following description of keys refers to Windows. Additional functions supported by the keys are described in the relevant manuals supplied with your application programs.

The figure below shows how to access the different characters on keys with overlaid functions. The example applies when the Caps Lock key has not been activated.

i

The illustrations shown below may differ from your actual device.



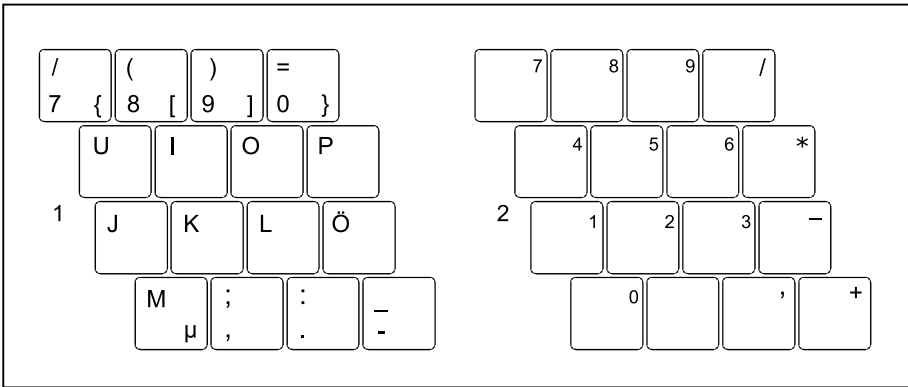
Key	Description
	<p>Backspace key The Backspace key deletes the character to the left of the cursor.</p>
	<p>Tab key The Tab key moves the cursor to the next tab stop.</p>
	<p>Enter key (return) The Enter key terminates a command line. The command you have entered is executed when you press this key.</p>
	<p>Caps Lock key The Caps Lock key activates the Caps Lock mode, and the corresponding icon is displayed in the Windows information area. In Caps Lock mode, all of the characters you type appear in upper case. In the case of overlay keys, the character printed on the upper left of the key will appear when that key is pressed. To cancel the Caps Lock function, simply press the Caps Lock key again.</p>
	<p>Shift key The Shift key causes uppercase characters to appear. In the case of overlay keys, the character printed on the upper left of the key appears when that key is pressed.</p>
	<p>Fn button The [Fn] key enables the special functions indicated on overlay keys (see "Key combinations", Page 40).</p>
	<p>Cursor keys The cursor keys move the cursor in the direction of the arrow, i.e. up, down, left, or right.</p>
	<p>Start key The Start key opens the Windows Start menu.</p>
	<p>Menu key The Menu key invokes the menu for the marked item.</p>

Virtual numeric keypad

To provide the convenience of a numeric keypad, your keyboard is equipped with a virtual numeric keypad. The special keys of the virtual numeric keypad are recognisable by the numbers and symbols printed in the upper right corner of each key. If you have switched on the virtual numeric keypad, you can output the characters shown on the upper right of the keys.



The keyboard layout shown below may differ from your actual device.



1 = Valid characters when the Num key is not activated

2 = Valid characters when the Num is activated

Further information about the status indicators can be found in chapter ["Status indicators", Page 18.](#)

Country and keyboard settings

If you want to change the country and keyboard settings, proceed as follows:

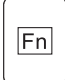
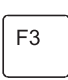
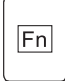

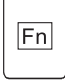

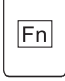

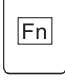


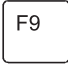
- ▶ Enter the settings by clicking *Start – (Settings) – Control Panel – Time, Regional and Language Options.*




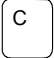
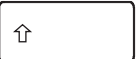

Key combinations

The key combinations described below apply when using Microsoft Windows operating systems. Some of the following key combinations may not function in other operating systems or with certain device drivers.

Key combinations are entered as follows:

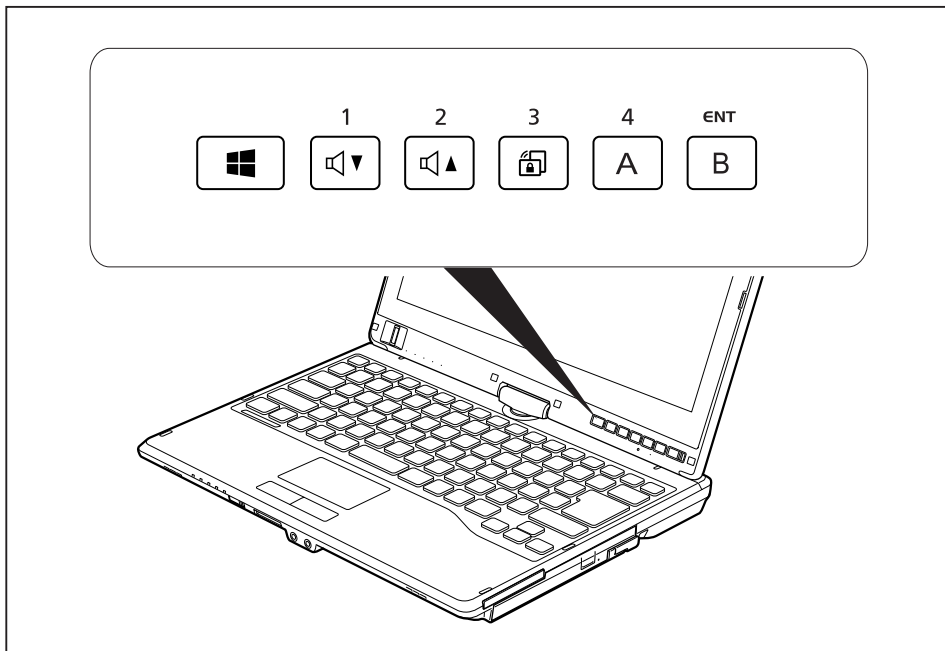
- ▶ Press the first key in the combination and keep it pressed.
- ▶ While holding the first key down, press the other key or keys in the combination.

Combination	Description
 + 	<p>Switching the loudspeakers on/off This key combination switches the integrated loudspeakers on and off.</p>
 + 	<p>Enable/disable touchpad This key combination enables and disables the touchpad.</p>
 + 	<p>Decrease screen brightness This key combination decreases the brightness of the screen.</p>
 + 	<p>Increase screen brightness This key combination increases the brightness of the screen.</p>
 + 	<p>Decrease volume This key combination reduces the volume of the internal loudspeakers.</p>
 + 	<p>Increase volume This key combination increases the volume of the internal loudspeakers.</p>

Combination	Description
 + 	<p>Toggle output screen Use this key combination to select which screen(s) is/are used for display if an external monitor is connected.</p> <p>Screen output is possible:</p> <ul style="list-style-type: none"> • only on the notebook's LCD screen • only on the external monitor • on the notebook's LCD screen and the external monitor at the same time. <p>Press the key combination several times to switch through all possible settings.</p> <p>It is possible to display video on two screens simultaneously, regardless of the type and number of external screens connected.</p> <p>If you have connected two external monitors to the port replicator, the following display outputs are possible:</p> <ul style="list-style-type: none"> • only on the notebook's LCD screen • only on the external monitor (analogue) • at the same time on the LCD screen (digital) • at the same time on the notebook's LCD screen and on the external monitor (analogue) <p>You cannot use the key combination to switch output at the same time to both external monitors on the Port Replicator.</p>
 + 	<p>Halt current operation This key combination can be used to halt an operation instantly without clearing the keyboard buffer.</p>
 + 	<p>Back tab This key combination moves the cursor back to the previous tab stop.</p>

Tablet buttons






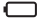
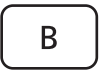

Your notebook has six multifunctional tablet buttons. You can navigate on the screen with a simple press of a button, call preset applications or ones that you have set yourself.



The tablet buttons have different uses in different modes.

In addition, you can still individually program some of the tablet buttons, see ["Programming the tablet buttons", Page 43](#).

Basic functions when the device has booted

Button	Basic function
	<p>Windows button</p> <p>This button corresponds to the function of the Windows Start key on a keyboard.</p> <p>If the button is pressed in combination with the ON/OFF switch, the function corresponds to the key combination [Ctrl] + [Alt] + [Del].</p>
1 	<p>Decrease volume</p> <p>This button reduces the volume of the built-in loudspeakers.</p>
2 	<p>Increase volume</p> <p>This button increases the volume of the built-in loudspeakers.</p>
3 	<p>Rotation Lock</p> <p>When you press this button, the orientation of the screen display changes from portrait (vertical) to landscape (horizontal) or vice versa.</p> <p>When you would like to use the Tablet PC as an eBook, for example, you would use the portrait orientation.</p> <p>When accessing spreadsheets, you would more typically use a landscape orientation.</p> <p>Windows 7:</p> <p>This button locks and unlocks the automatic rotation of the display.</p>
4  	<p>Button "A"</p> <p>This button starts the <i>Fujitsu Menu</i> application. You can use this application to change certain system settings.</p> <p>The button is freely programmable.</p>
ENT  	<p>Button "B"</p> <p>Use this button to start the <i>Windows Journal</i>.</p> <p>The button is freely programmable.</p>

Programming the tablet buttons

You can program the tablet buttons to open a specific application or execute a specific function when pressed.

Proceed as follows:

- ▶ In Control Panel, select the option to manage the settings for the tablet buttons and pen.
- ▶ Follow the instructions on the screen and program the tablet buttons as you require.

Webcam

Depending on the software used, you can use your Webcam to take pictures, record video clips or take part in web chats.

- The picture quality depends on the lighting conditions and the software being used.
- You can only operate the webcam with a particular application (e.g. an Internet telephony program or a video conferencing program which supports a webcam).
- When using the webcam the notebook support must not wobble.
- The webcam automatically adjusts itself to the current light level. For this reason the LCD screen may flicker while the light level is adjusted.



Further information on using the webcam and on the additional settings which are possible for your webcam can be found in the help function of the program which uses the webcam.

If you would like to perform a function test of your web cam, there is suitable test software available at "<http://www.fujitsu.com/fts/support/index.html>".

Rechargeable battery

When not plugged into a mains socket, the notebook runs on its built-in battery. You can increase the life of the battery by caring for the battery properly. The average battery life is around 500 charge/discharge cycles.

You can extend the battery life by taking advantage of the available energy saving functions.

Charging, caring for and maintaining the battery

The notebook battery can only be charged, when the ambient temperature is between 5°C and max. 35°C.

You can charge the battery by connecting the notebook to the mains adapter (see "[Mains adapter connecting](#)", [Page 16](#)).

If the battery is running low you will hear a warning alarm. If you do not connect the mains adapter within five minutes of the warning alarm described above, your notebook will automatically switch off.

monitoring the battery charging level

Windows also has a "Battery status meter" in the taskbar for monitoring the battery capacity. When you place the mouse pointer on the battery symbol, the system displays the battery status.

The battery capacity can be monitored using an indicator which shows the current state of charge. Use the following menu to enable this feature:

Operating system	Menu
Windows 7	<i>Start – (Settings) – Control panel – Mobile PC – Power options</i>

Battery storage

Keep the battery pack between 0°C and +30°C. The lower the temperature at which the batteries are stored, the lower the rate of self-discharge.



If you will be storing batteries for a longer period (longer than two months), the battery charge level should be approx. 30 %. To prevent exhaustive discharge which would permanently damage the battery, check the level of charge of the battery at regular intervals.

To be able to make use of the optimal charging capacity of the batteries, the battery should be completely discharged and then fully recharged.



If you do not use the batteries for long periods, remove them from the notebook. Never store the batteries in the device.

Removing and installing the battery



Only use rechargeable batteries approved by Fujitsu Technology Solutions for your notebook.

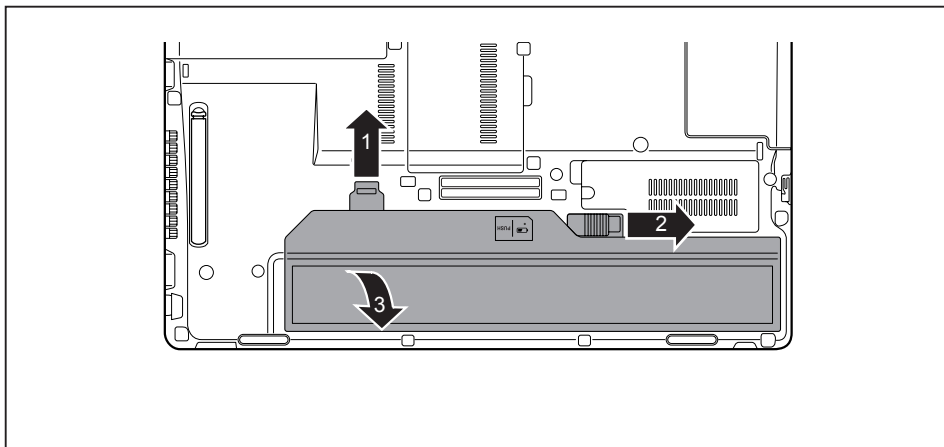
Never use force when fitting or removing a battery.

Make sure that no foreign bodies get into the battery connections.

Never store a battery for longer periods in the discharged state. This can make it impossible to recharge.

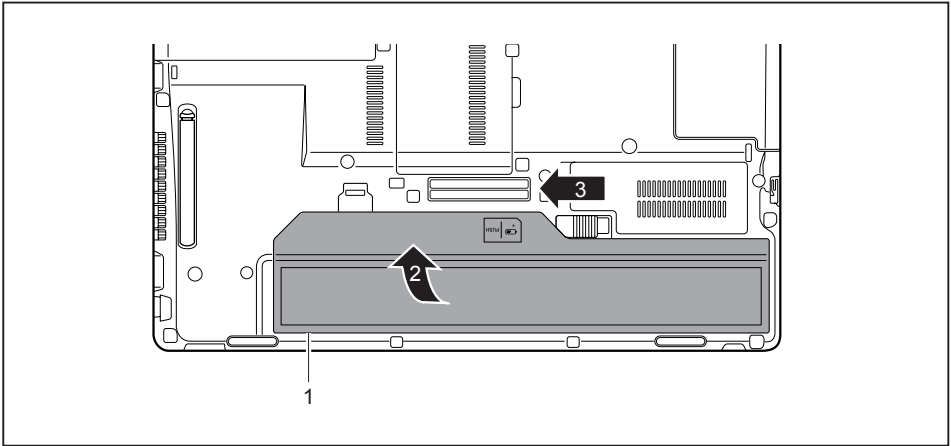
Removing the battery

- ▶ Prepare for removal, see chapter ["Preparing to remove components", Page 83](#).



- ▶ Slide the release button (1) in direction of the arrow.
- ▶ Slide the release button (2) in direction of the arrow.
- ▶ Lift the battery out of the battery compartment (3).

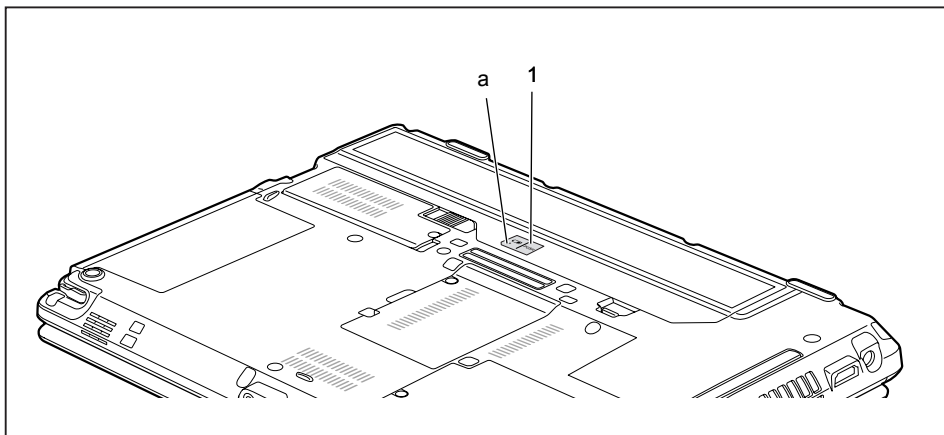
Inserting battery



- ▶ Place the battery on the lower edge of the battery compartment (1).
- ▶ Slide the battery into the battery compartment until you feel it engage (2).
- ▶ Slide the release button into its locked position (3).
- ▶ Complete the removal, see chapter ["Finishing component removal", Page 89](#).

Battery charge status indicator

You can check the charge status directly on the battery itself.



► Press the key (1).

↳ The LED (a) lights up in one of the following colours:

LED indicator	State of charge
Green	The battery is between 50 % and 100 % charged.
Orange	The battery is between 11 % and 49 % charged.
Red	The battery is between 1 % and 10 % charged.
LED not lit	The battery is fully discharged.

Module

The design of your notebook enables the flexible use of notebook batteries and drives. The following modules can be operated in the module bay of your notebook:

- Second battery
- Optical drive
- Empty plug-in unit (save weight)



Only use modules designed for your notebook.

Do not use force when installing or removing the module.

Make sure that no foreign objects enter the module bay.

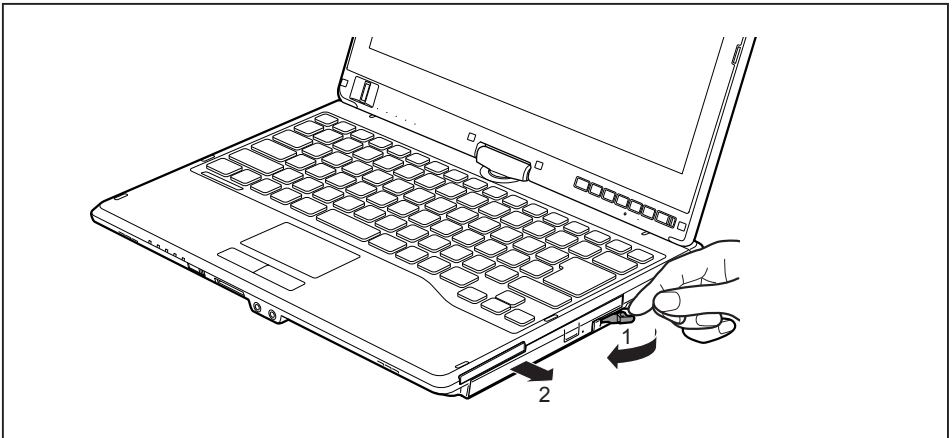


You can swap modules during operation. This means you do not need to switch off the notebook.

To replace a module, simply click on the corresponding icon in the task bar and then on *Exit* or *Select - Exit*.

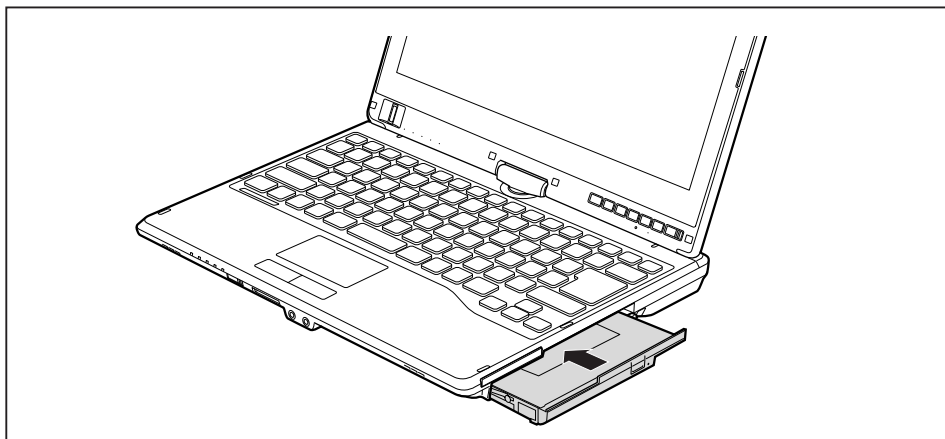
The module can now be removed without any further actions being necessary.

Removing a module



- ▶ Slide the release lever in the direction of the arrow (1).
- ▶ Now pull the module out of the module bay (2).

Installing a module



- ▶ Place the module into the module bay so that the contacts enter first.
- ▶ Push the module into the module bay until you feel it locking into place.

Optical drive



This product contains a light emitting diode, classification according to IEC 60825 1:2007: LASER CLASS 1, and must therefore not be opened.

Handling data carriers

Observe the following guidelines when handling data carriers:

- Avoid touching the surface of a data carrier. Only handle data carriers by their edges.
- Always store data carriers in their cases. This will protect the data carrier against being covered in dust, scratched or damaged in any other way.
- Protect your data carriers against dust, mechanical vibrations and direct sunlight.
- Avoid storing a data carrier in areas subject to high temperatures or humidity.

You may use both 8-cm and 12-cm data carriers in the optical drive.

When using a data carrier of lesser quality, vibrations and reading errors may occur.

CD/DVD indicator

The CD/DVD indicator flashes when a data carrier is inserted. The indicator goes out when the drive is ready for reading. The indicator lights up when the drive is being accessed. You may only remove the data carrier when the indicator is unlit.

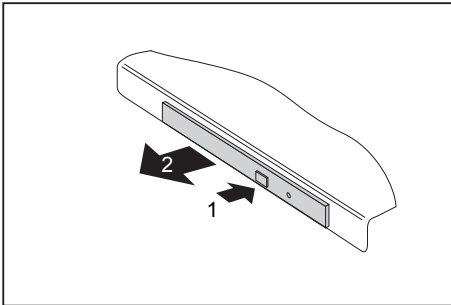


If the CD/DVD indicator does not go out after a data carrier has been inserted, but instead continues to flash, this means that the drive cannot access the data carrier.

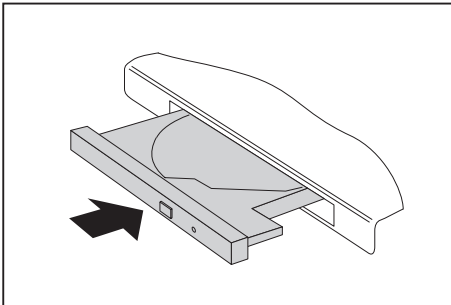
Either the data carrier is damaged or dirty or you are using a data carrier that the drive cannot read.

Inserting or removing a data carrier

The notebook must be switched on.



- ▶ Push the insert/eject button (1).
- ↳ The drive tray will open.
- ▶ Gently pull the drive tray (2) completely out.



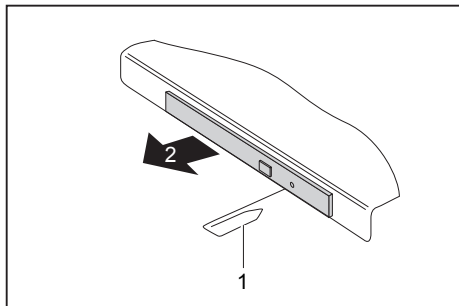
- ▶ Place the data carrier in the drive tray with the printed side facing upwards.

or

- ▶ Remove a data carrier that has been inserted.
- ▶ Push in the drive tray until you feel it lock into place.

Manual removal (emergency removal)

In the event of a power failure or damage to the drive, you can remove the data carrier manually.



- ▶ Switch your notebook off.
- ▶ Push a pen or a piece of wire (such as a paperclip) firmly into the opening (1).
- ↳ The drive tray is ejected. You can now pull the drive tray (2) out of the drive.

Removing and fitting the dust removal cover (ventilation slot cover)



In order to ensure optimum cooling of the components in your notebook, you should periodically clean the ventilation slot of the heatsink.

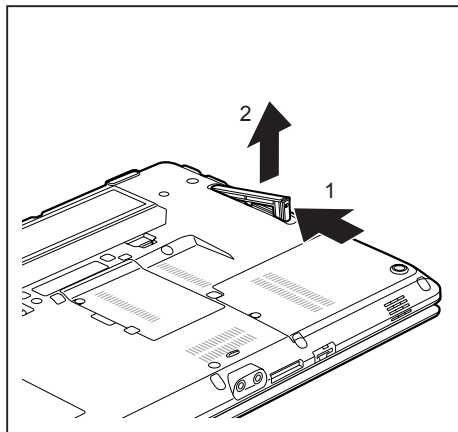
This ensures optimum fan performance. You can achieve the best cleaning results with a small hand-held vacuum cleaner.

If necessary, you can also use a dry brush to release dust from the ventilation slots.

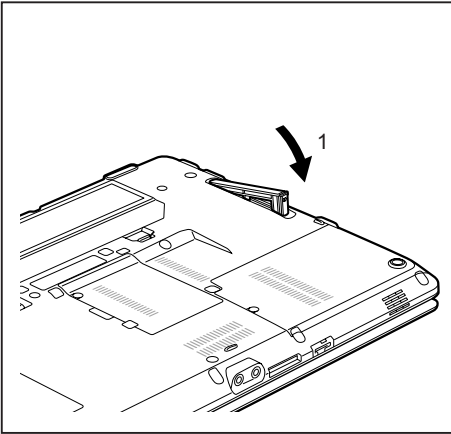
Do not use any cleaning liquids! Ensure that no liquid enters the device.

To avoid overheating of the device, do not remove the ventilation slot cover when the device is switched on.

- ▶ Prepare for removal, see chapter "[Preparing to remove components](#)", Page 83.



- ▶ Press and hold the lock of the ventilation slot cover (1) and remove it from its slot (2).
- ▶ Clean the dust chamber.



- ▶ Insert the ventilation slot cover into the slot (1) at an angle as shown, and ensure that you feel it click into place.
- ▶ Complete the removal, see chapter ["Finishing component removal", Page 89](#).

Using the power-management features

The notebook uses less power when the available power-management features are used. You will then be able to work longer when using the battery before having to recharge it.



Power efficiency is increased and environmental pollution reduced. By choosing the best power options, you can make significant savings and at the same time help protect the environment.

When you close the LCD screen, depending on the setting in Windows, the notebook automatically enters a power saving mode.

We recommend the following settings:

Function	On external power	On battery power
Turn off monitor	After 10 minutes	After 5 minutes
Turn off hard disk(s)	After 15 minutes	After 10 minutes
Energy saving (S3)	After 20 minutes	After 15 minutes
Hibernate mode (S4)	After 1 hour	After 30 minutes

- ▶ Select the power management functions in your Control Panel.
- ▶ Select the Screen Saver in your Control Panel.

or

- ▶ Right-click on the desktop. Switch on the screen saver by clicking *Personalization – Change screen saver*.



If you need further information about an option, you can get help with most settings by pressing **F1** to open the Microsoft Help.

When the notebook is in power-saving mode, the following must be remembered:



During power saving mode, open files are held in the main memory or in a swap file on the hard disk.

Never turn off your notebook while it is in a power saving mode. If the built-in battery is nearly empty, close the open files and do not go into power saving mode.

If you do not intend to use your notebook for a long period of time:

- ▶ Exit power saving mode if necessary via the mouse or keyboard or by switching on the notebook.
- ▶ Close all opened programs and completely shut down the notebook.

Memory cards

Your notebook is equipped with an integrated memory card reader.



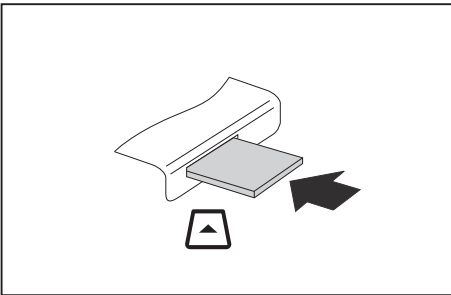
Observe the manufacturer's instructions when handling the memory cards.

Supported format

The memory card reader supports the following format:

- Secure Digital (SD™ card)

Inserting the memory card



- ▶ Carefully slide the memory card into the slot. The label should be facing upward. Do not apply excessive force, as otherwise the delicate contact surfaces could be damaged.
- ↳ Depending on the particular type used, the memory card may protrude slightly from the slot.

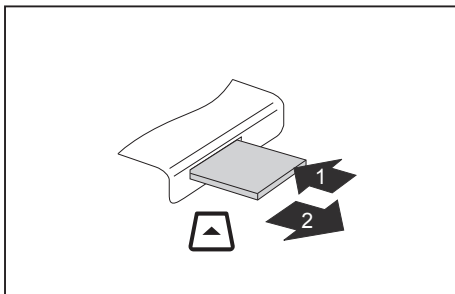
Removing the memory card



In order to protect your data, always follow the correct procedure for removing the card outlined below.

You can stop the memory card via the corresponding icon in the task bar:

- ▶ Left-click on the icon.
- ▶ Select the card you want to stop and remove.
- ▶ Press the Enter key.
- ↳ Wait for the dialogue box which tells you that it is now safe to remove the memory card.



- ▶ On devices with card locking: Press on the storage card (1).
- ↳ The storage card is released and can now be removed.
- ▶ Pull the storage card out of the slot (2).

ExpressCards

An ExpressCard slot allows an ExpressCard/54 to be used with the computer.



Consult the documentation supplied by the ExpressCard's manufacturer and follow the instructions provided.

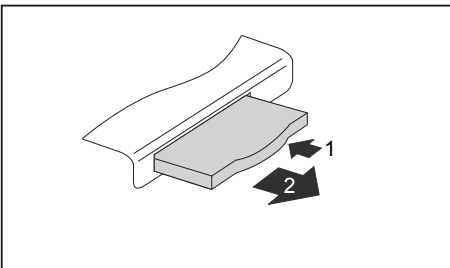
Never use force when installing or removing an ExpressCard.

Make sure that no foreign objects enter the ExpressCard slot.

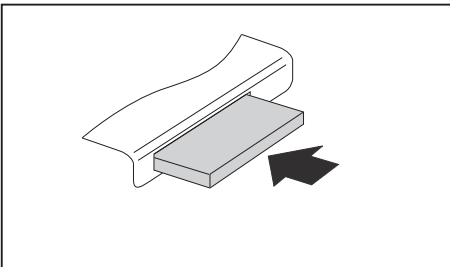
Inserting the card



Keep the placeholder for the slot in a safe place. When you remove the card again, you must reinstall the place holder. This prevents foreign objects from getting into the slot.



- ▶ Press the edge of the placeholder (1) to make the card placeholder protrude from the notebook's case.
- ▶ Pull the card placeholder out of the slot (2).



- ▶ Insert the card into the slot guide with the connection contacts first.
- ▶ Gently push the card into the slot until you feel it click into place. Do not use any force. Depending on the particular type used, the card may protrude slightly from the slot.



Please see the documentation relating to the card for driver installation instructions.

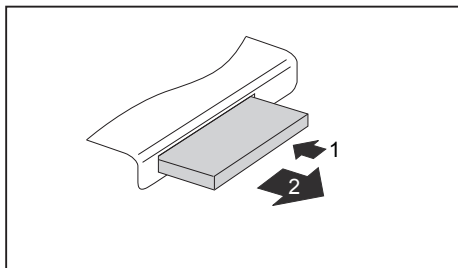
Removing the card



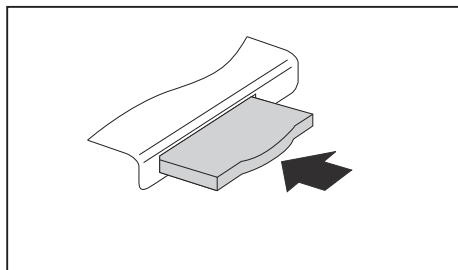
Always remove the card according to the rules described below, to ensure that none of your data is lost.

You can stop the ExpressCard using the corresponding symbol in the task bar:

- ▶ Click on the symbol for safe removal of hardware with the left mouse button.
- ▶ Select the ExpressCard you want to stop and remove.
- ▶ Press the Enter key.
- ↳ Wait for the dialogue box which tells you that it is now safe to remove the ExpressCard.



- ▶ Press the edge of the card (1) so that the card protrudes a little from the notebook.
- ▶ Pull the card out of the slot (2).



- ▶ Insert the card placeholder into the slot guide.
- ▶ Gently slide the card placeholder into the slot until you feel it click into place.

Loudspeakers and microphones

Information on the exact position of the speakers and microphone can be found in ["Ports and controls", Page 9](#).

Please refer to chapter ["Key combinations", Page 40](#) for information on setting the volume and also enabling/disabling the loudspeakers using key combinations.



If you attach an external microphone, the built-in microphone is disabled.

When you connect headphones or external speakers, the built-in speakers are disabled.

Information on connecting headphones and a microphone can be found in ["Connecting external devices", Page 75](#).

SIM card

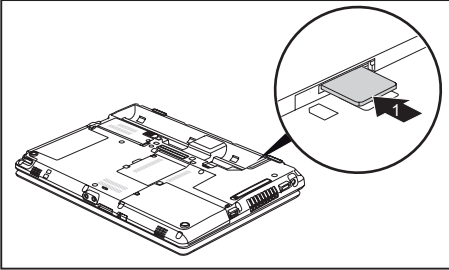
A SIM card (Subscriber Identity Module) is a chip card which is inserted in a mobile phone or notebook and, together with an integrated UMTS/LTE module, enables access to a mobile network.



When handling SIM cards, follow the instructions supplied by the provider.

Inserting the SIM card

- ▶ Prepare for installation of the SIM card, see chapter ["Preparing to remove components", Page 83.](#)

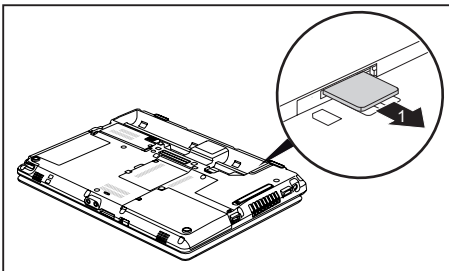


- ▶ Slide the SIM card into the slot (1) until it is felt to engage, as shown in the battery compartment.

- ▶ Complete the installation, see chapter ["Finishing component removal", Page 89.](#)

Removing the SIM card

- ▶ Prepare for removal of the SIM card, see chapter ["Preparing to remove components", Page 83.](#)



- ▶ Press on the edge of the SIM card so that it jumps up slightly out of the slot.
- ▶ Pull the SIM card out of the slot in the direction of the arrow (1).

- ▶ Complete the removal, see chapter ["Finishing component removal", Page 89.](#)

Optional Wireless LAN / Bluetooth / UMTS / LTE wireless components



The installation of radio components not approved by Fujitsu Technology Solutions will invalidate the certifications issued for this device.

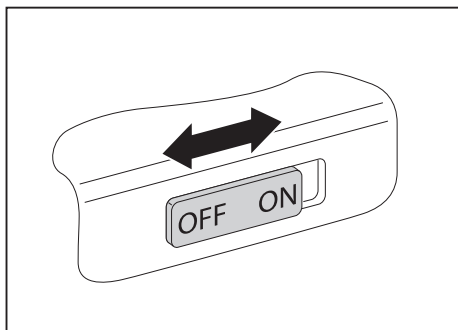


Depending on the device configuration you ordered, your device will be equipped with Wireless LAN, Bluetooth and/or UMTS / LTE.

Switching the wireless components on and off



Before switching on your device for the first time, the on/off switch for radio components must be in the "ON" position.



- ▶ Slide the ON/OFF switch into the "ON" position to activate the radio components.
- or
- ▶ Slide the ON/OFF switch to the "OFF" position to deactivate the radio components.



If you switch off the radio components, the wireless LAN antenna and, when present, the Bluetooth module and UMTS/LTE module will be switched off.

You can use the *PlugfreeNetwork* program to switch the installed radio components on and off individually.

You can also deactivate the wireless components individually in the *BIOS Setup*. For this to occur, you must either not have assigned a supervisor password or if a supervisor password has been assigned, you must know this password.

Pay attention to the additional safety notes for devices with radio components provided in the "Safety/Regulations" manual.

Details on using Wireless LAN can be found in the online help system included in the Wireless LAN software.

You can find more information on how to use Bluetooth on the CD you received with your Bluetooth software.

You can obtain more information on UMTS/LTE from your service provider.

Setting up WLAN access

- Requirement: A WLAN must be available and you must have the corresponding access information.



Information on configuring the WLAN access can be found in the documentation for your operating system.

Access via UMTS / LTE

If you ordered an integrated UMTS / LTE module with your system, you can enjoy optimum reception and maximum energy efficiency without awkward cables or antennas. The optional UMTS / LTE module is ready for use straight away.

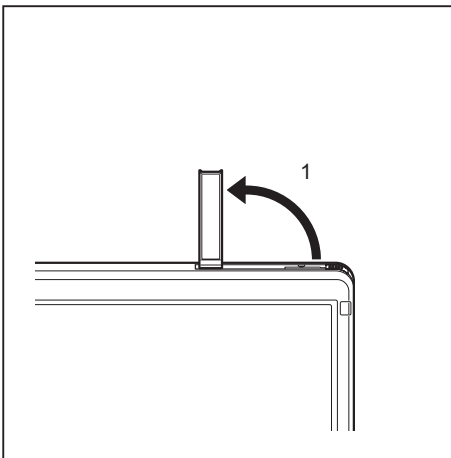
If you did not order a UMTS / LTE module, you can purchase the accessories for UMTS / LTE reception from your retailer or your Fujitsu Technology Solutions dealer.

You will find information on establishing the connection with the UMTS / LTE network in the documentation for the hardware used.

Your device can connect to the Internet via UMTS / LTE. To do this, use one of the following types of connection:

- Integrated UMTS / LTE module (availability dependent on your model variant)
- a USB dongle (a USB stick with your mobile phone provider's SIM card)
- a mobile end-device (e.g. mobile phone with Bluetooth or cable connection)
- UMTS ExpressCard (fits into the ExpressCard slot on your device)

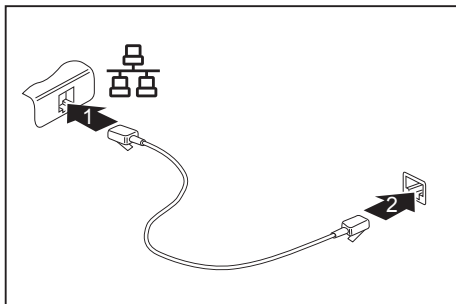
UMTS/LTE antenna



- To improve the signal strength of the UMTS/LTE, fold out the UMTS/LTE antenna in the direction of the arrow (1).

Ethernet and LAN

The internal network module of your notebook supports Ethernet LAN. You can use it to establish a connection to a local network (LAN = Local Area Network).



- ▶ Connect the network cable to the LAN port of the notebook (1).
- ▶ Connect the network cable to your network connection (2).



Your network administrator can help you to configure and use the LAN connections.

The network cable is not included in the delivery scope. This type of cable can be obtained from a specialist dealer.

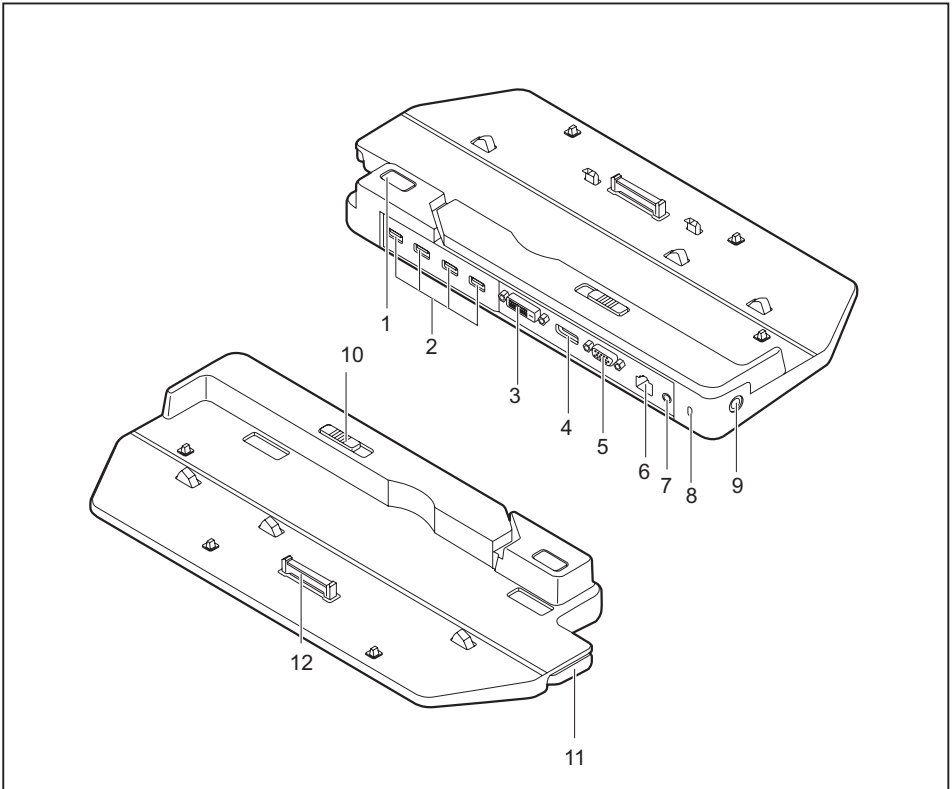
Your Port Replicator (optional)

Your Port Replicator is a device that enables you to quickly connect your notebook to your peripherals, such as a monitor, printer etc.

The features offered by the Port Replicator include standard ports for monitor, audio, mouse and keyboard.

You need only dock the notebook in order to use your peripheral devices.

Ports on the Port Replicator



1 = ON/OFF switch

2 = USB ports (USB 3.0)

3 = DVI port

4 = DisplayPort

5 = VGA monitor port

6 = LAN port

7 = Headphone port

8 = Security Lock device

9 = DC input connector (DC IN)

10 = Adjusting lever of the Port Replicator

11 = Unlocking lever

12 = Connector on the Port Replicator for the docking port on the bottom of the notebook

Setting up the port replicator



Select a suitable location for the port replicator before setting it up. Follow the instructions below when doing so:

- Never place the port replicator on a soft surface (e.g. carpeting, upholstered furniture, bed). This can block the air vents of the notebook and cause overheating and damage.
- Place the port replicator on a stable, flat and non-slip surface. Please note that the port replicator's rubber feet may mark certain types of surface.
- Never place the port replicator and the mains adapter on a heat-sensitive surface.
- Do not expose the port replicator to extreme environmental conditions. Protect the port replicator from dust, humidity and heat.

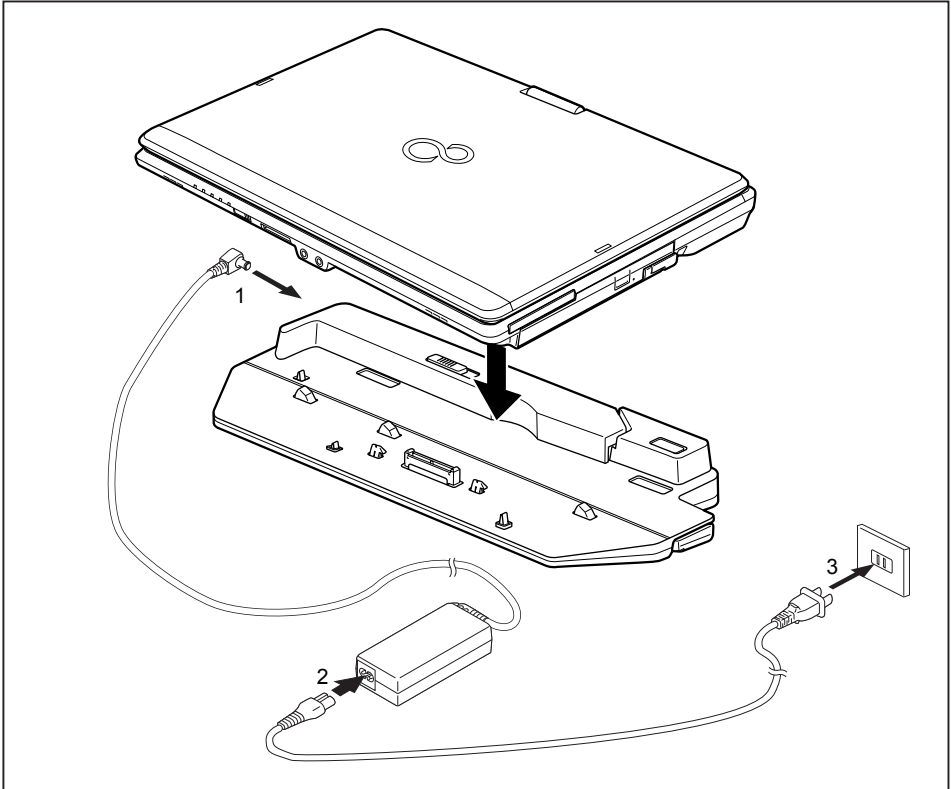
Connect the notebook to the port replicator



The Port Replicator supports various LIFEBOOK models. The adjusting lever of the Port Replicator can be used to adapt the Port Replicator to the size of the particular LIFEBOOK.

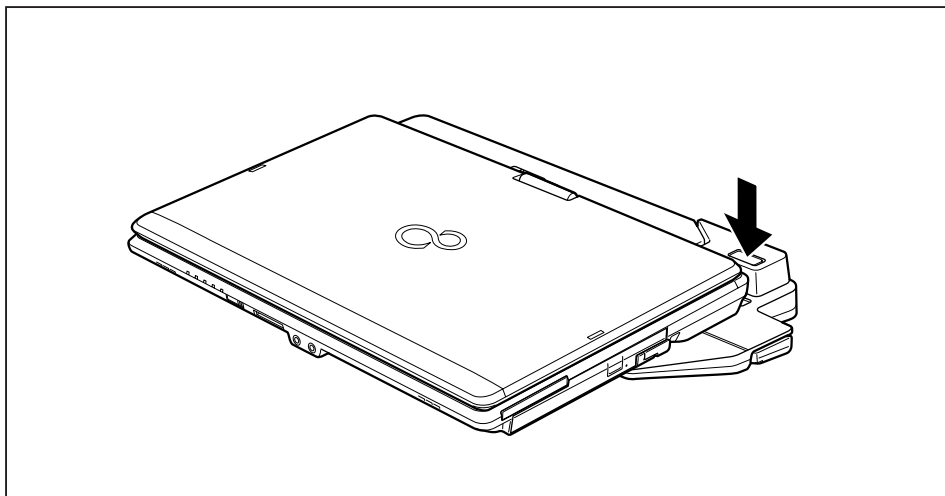
Before connecting the notebook to the port replicator, check if the setting lever of the port replicator is in the right position. If necessary, adjust the setting lever to the correct position.

- ▶ Disconnect the mains adapter cable from the DC socket (DC IN) of the notebook.



- ▶ Position the notebook on the port replicator in such a way that the docking connector on the underside of the notebook is aligned with the docking connector of the port replicator as shown.
- ▶ Press down on the notebook's rear corners so that it locks into position.
- ▶ Connect the mains adapter cable to the DC jack (DC IN) of the port replicator (1).
- ▶ Connect the power cable to the mains adapter (2).
- ▶ Plug the power cable into the mains socket (3).

Switching on the notebook via the port replicator



- ▶ Press the ON/OFF switch on the port replicator to switch the notebook on.

Switching off notebook via Port Replicator

- ▶ Close all applications and shut down your operating system (please refer to the manual for the operating system).



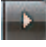
If the notebook cannot be shut down properly, press the ON/OFF button on the Port Replicator for approx. four seconds. The notebook will switch off. Any unsaved data may however be lost.

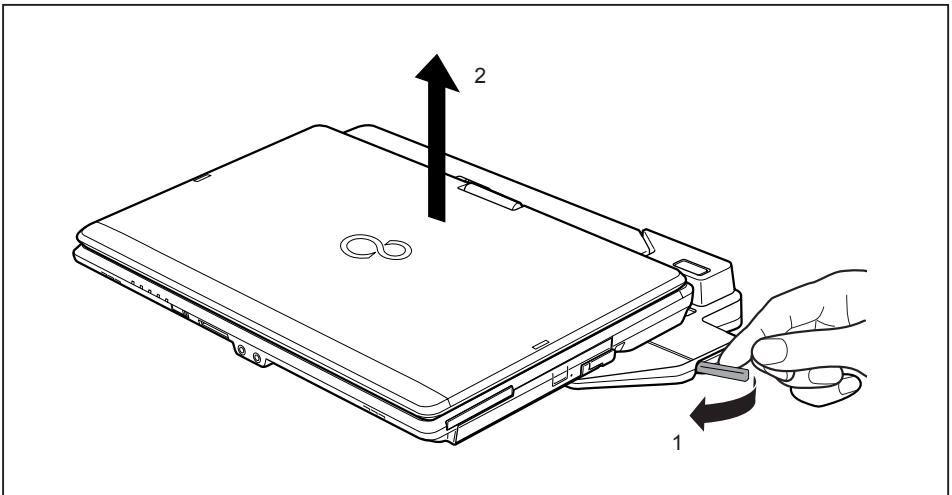
Disconnecting the notebook from the port replicator



Problems may occur if the notebook is removed from the port replicator during operation. We recommend that you switch off the notebook beforehand or use the Windows function Start – Undock.

Windows 7

Problems may occur if the notebook is removed from the port replicator during operation. We recommend that you switch off the notebook beforehand or use the Windows function Start (arrow icon)  – Undock.



- ▶ Pull the release button in the direction of the arrow (1).
- ▶ Pick up the notebook (2).

Security functions

Your notebook has several security features that you can use to secure your system from unauthorised access.

This chapter explains how to use each function, and what the benefits are.



Please remember that in some cases, for example, forgetting your password, you may be locked out and unable to access your data. Therefore, please note the following information:

- Make regular backups to external data carriers such as external hard drives, CDs, DVDs or Blu-ray Discs.
- Some security functions need you to choose passwords. Make a note of the passwords and keep them in a safe place.

If you forget your passwords you will need to contact the our Service Desk. Deletion or resetting of passwords is not covered by your warranty and a charge will be made for assistance.

Brief overview of security functions

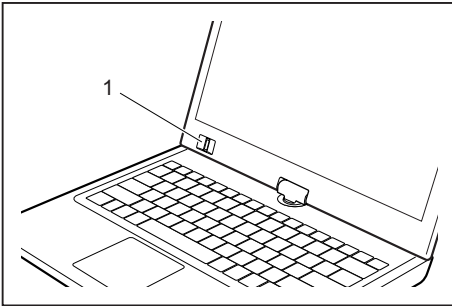


Detailed information about the security equipment of your device can be found in the "Professional Notebook" manual, on the "Drivers & Utilities" CD/DVD or on the Internet at ["http://www.fujitsu.com/fts/support/index.html"](http://www.fujitsu.com/fts/support/index.html).

Security functions	Type of protection	Preparation
Security Lock	Mechanical	Fit and lock the Kensington Lock Cable (accessory).
Fingerprint sensor (depending on the device)	Biometric	Install the supplied fingerprint software.
BIOS password protection	Password protection for <i>BIOS Setup</i> , operating system and hard disk with supervisor and user password. The passwords consist of a maximum of eight alphanumeric characters.	Specify at least one supervisor password in the <i>BIOS Setup</i> and activate the password protection for the operating system and hard disk as desired.
Boot from removable media	Prevents unauthorised booting of an operating system from external media (e.g. USB stick, USB CD-ROM drive etc.).	In the BIOS Setup, go to the <i>Security</i> menu and edit the option <i>Boot from Removable Media</i> .
Owner Information	Overlay service desk or owner information during the boot process.	In the BIOS Setup, go to the <i>Security</i> menu and edit the option <i>Owner Information</i> .
Trusted Platform Module (device dependent)	Identification and authentication of the notebook	Define a supervisor password in the <i>BIOS Setup</i> and enable the TPM (<i>Security Chip</i>).

Configuring the fingerprint sensor

The fingerprint sensor can record an image of a fingerprint. With additional fingerprint software, this image can be processed and used instead of a password.



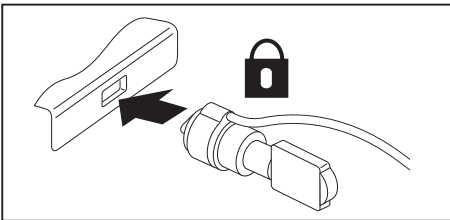
- ▶ You must install the fingerprint software in order to be able to use the fingerprint sensor (1).

Using the Security Lock

Your device comes with a Security Lock device for the Kensington Lock Cable. You can use the Kensington Lock Cable, a sturdy steel cable, to help protect your notebook from theft. The Kensington Lock Cable is available as an accessory.

i

Fujitsu Technology Solutions recommends the use of a combination lock.



- ▶ Fit the Kensington Lock Cable on the device on your notebook.

i

Attach another Kensington Lock Cable to your Port Replicator to protect your Port Replicator from theft as well.

Configuring password protection in BIOS Setup Utility



Before using the various options for password protection in the *BIOS Setup utility* to increase data security, please observe the following:

Make a note of the passwords and keep them in a safe place. If you forget your supervisor password you will not be able to access your notebook. Passwords are not covered by your warranty and a charge will be made for assistance.



Your password can be up to eight characters long and contain letters and numbers. No distinction is made between uppercase and lowercase.

Protecting BIOS Setup Utility (supervisor and user password)



If you have opened these operating instructions on the screen, we recommend that you print out the following instructions. Because you cannot call the instructions onto the screen while you are setting up the password.

You prevent unauthorised use of the *BIOS Setup Utility* with both the supervisor and the user password. The supervisor password gives you access to all functions of the *BIOS Setup Utility*, while the user password only provides some of the functions. You can only set a user password if a supervisor password has already been assigned.



Please refer to the "[Settings in BIOS Setup Utility](#)", [Page 90](#) section for a description of how to call up and operate the *BIOS Setup Utility*.

Setting supervisor and user password

- ▶ Start the *BIOS Setup Utility* and go to the *Security* menu.
- ▶ Select the *Set Supervisor Password* field and press the Enter key.
 - ↳ With *Enter new Password*: you are asked to enter a password.
- ▶ Enter the password and press the Enter key.
 - ↳ *Confirm new Password* requires you to confirm the password.
- ▶ Enter the password again and press the Enter key.
 - ↳ *Changes have been saved* is a confirmation that the new password has been saved.
- ▶ To set the user password, select *Set User Password* and proceed exactly as when configuring the supervisor password.
 - ↳ If you do not want to change any other settings, you can exit *BIOS Setup Utility*.
- ▶ In the *Exit* menu, select the option *Save Changes & Exit*.
- ▶ Select *Yes* and press the Enter key.
 - ↳ The notebook will be rebooted and the new password will come into effect. It will now be necessary to first enter your supervisor or user password in order to open the *BIOS Setup Utility*. Please note that the user password only provides access to a few of the BIOS settings.

Changing the supervisor or user password

You can only change the supervisor password when you have logged into the *BIOS Setup Utility* with the supervisor password.

- ▶ Call the *BIOS Setup Utility* and go to the *Security* menu.
- ▶ When changing the password, proceed exactly as for password assignment.

Removing passwords

To remove a password (without setting a new password) perform the following steps:

- ▶ Start the *BIOS Setup Utility* and go to the *Security* menu.
- ▶ Highlight the *Set Supervisor Password* or *Set User Password* field and press the Enter key.
 - ↳ You will be requested to enter the current password by the *Enter Current Password* prompt. You will be requested to enter a new password by the *Enter New Password* prompt.
- ▶ Press the Enter key twice.
- ▶ In the *Exit* menu, select the option *Save Changes & Exit*.
- ▶ Select *Yes* and press the Enter key.
- ↳ The notebook will now reboot with the password removed. Removing the supervisor password simultaneously deactivates the user password.

Password protection for booting of the operating system



With the supervisor password you have set in the *BIOS Setup Utility* (see section ["Setting supervisor and user password", Page 70](#)), you can also prevent booting of the operating system.

Activating system protection

- ▶ Start the *BIOS Setup Utility* and go to the *Security* menu.
- ▶ Select the *Password on Boot* option and press the Enter key.
- ▶ Select the desired option (*Disabled*, *First Boot* or *Every Boot*) and press the Enter key.
- ▶ Select the *Save Changes & Exit* option under *Exit*.
- ↳ The notebook will reboot. You will be prompted to enter your password (the supervisor password).

Deactivating system protection

- ▶ Start the *BIOS Setup Utility* and go to the *Security* menu.
- ▶ Select the *Password on Boot* option and press the Enter key.
- ▶ Select the *Disabled* option and press the Enter key.
- ↳ If you do not want to change any other settings, you can exit *BIOS Setup Utility*.
- ▶ Select the *Save Changes & Exit* option under *Exit*.
- ↳ The notebook will reboot. The system is no longer password-protected.

Password protection for the hard disk



The hard disk password prevents unauthorised access to the hard disk drives and is checked internally each time the system is booted. The condition for this is that you have assigned at least the supervisor password.

Activating hard disk protection

- ▶ Call up the *BIOS Setup* and select the *Security* menu.
- ↳ If you have not assigned BIOS passwords yet, define the supervisor and the user password now, if desired (see ["Security functions", Page 68](#)).
- ▶ Mark the *Hard Disk Security* field and press the Enter key.
- ▶ In the *Drive0* area mark the *Set Master Password* field and press the Enter key.
- ↳ *Enter new Password* then appears and you are asked to enter a password.
- ▶ Enter the password and press the Enter key.
- ↳ *Confirm new Password* requires you to confirm the password.
- ▶ Enter the password again and press the Enter key.
- ↳ *Setup Notice: Changes have been saved* is displayed to confirm that the new password has been saved.
- ▶ To assign the password for the second hard disk (*Drive1*), go to the *Drive1* area and select the field *Set Master Password*, then proceed in exactly the same way as for setting up the password for the first hard disk (*Drive0*).
- ↳ The field *Password Entry on Boot* is set to *Enabled* by default. You can exit the *BIOS Setup* once you have finished changing the settings.
- ▶ From the *Exit* menu, choose the option *Exit Saving Changes*.
- ▶ Press the Enter key and select *Yes*.
- ↳ The notebook reboots and your hard disk is now protected with a password. The system will ask you to enter the password when the notebook is restarted again.

Deactivating hard disk protection

To cancel a password without setting a new one, proceed as follows:

- ▶ Call up the *BIOS Setup* and select the *Security* menu.
- ▶ Mark the *Hard Disk Security* field and press the Enter key.
- ▶ In the *Drive0* area mark the *Set Master Password* field and press the Enter key.
- ↳ You will be initially requested to enter the old password by the *Enter current Password* prompt. You will then be requested to enter a new password by the *Enter new Password* prompt.
- ▶ After entering the password, press the Enter key three times.
- ▶ From the *Exit* menu, choose the option *Exit Saving Changes*.
- ▶ Press the Enter key and select *Yes*.
- ↳ The notebook reboots, and password protection for the hard disk is cancelled.
- ▶ To cancel the password for the second hard disk (*Drive1*), go to the *Drive1* area and select the field *Set Master Password*, then proceed in exactly the same way as for cancelling the password for the first hard disk (*Drive0*).

Using the security function of the tablet keys

If you have allotted a supervisor and/or user password in the form of tablet key combinations as described below, you can use the tablet keys to enter this when you start your device.

Setting the Supervisor password

- ▶ Select *Start - Run*.
- ▶ Enter the following at the command line: `C:\Program Files\Fujitsu\Security Panel Application\Supervisor\FJSECS.EXE`.
- ▶ Confirm with .
- ▶ Follow the instructions on the screen.

Setting the User password

- ▶ Select *Start - All Programs*.
- ▶ Select *Security Panel Application – Security Panel Application*.
- ▶ Follow the instructions on the screen.

Entering passwords using the tablet buttons

The passwords to be entered via the tablet buttons are usually composed of a combination of button presses, e.g. button + button followed by button and the button.

- ▶ Enter your password using the buttons to .
 - ▶ Confirm by pressing .
- ↳ The device will be unlocked.

Trusted Platform Module (TPM) (device-dependent)

To use the TPM, you **must** activate the TPM in the *BIOS Setup* before the software is installed. The condition for this is that you have assigned at least the supervisor password (see ["Security functions", Page 68](#)).

Enabling TPM

- Requirement: You have assigned a supervisor password, see ["Security functions", Page 68](#).
- ▶ Call up the BIOS Setup and select the *Security* menu.
- ▶ Mark the *TPM Security Chip Setting* field and press the Enter key.
- ▶ Select *Enabled* to activate the TPM.
- ↳ Once you have activated the TPM the *Clear Security Chip* option appears.
Select *Clear Security Chip* to delete the holder in the TPM. By clicking on *Enabled*, all secret keys (e.g. SRK - Storage Root Keys, AIK - Attestation Identity Keys etc.) generated by applications are deleted.

Please note that you will then no longer be able to access the data you have encrypted with the keys based on that holder.
- ▶ Select the *Exit Saving Changes* option in the Exit menu.
- ▶ Press the Enter key and select *Yes*.
- ↳ The notebook will restart, and TPM will be enabled after the reboot.

Disabling TPM

- Requirement: You have assigned a supervisor password, see ["Security functions", Page 68](#).
- ▶ Call up the BIOS Setup and select the *Security* menu.
- ▶ Mark the *TPM Security Chip Setting* field and press the Enter key.
- ▶ Select *Disabled* to deactivate the TPM.
- ▶ From the *Exit* menu, choose the option *Exit Saving Changes*.
- ▶ Press the Enter key and select *Yes*.
- ↳ Your notebook will now restart and TPM will be disabled.

Connecting external devices



Always refer to the safety information provided in ["Important notes", Page 12](#) before connecting or disconnecting any devices to or from your notebook.

Always read the documentation supplied with the device you wish to connect.

Never connect or disconnect cables during a thunderstorm.

Never pull at a cable when disconnecting it. Always grasp the plug.

Follow the steps below in order, when connecting or disconnecting devices to your notebook:



With some devices such as USB devices, it is not necessary to switch off the notebook and the device before connecting/disconnecting. For more information about whether or not devices need to be switched off, please refer to the documentation supplied with the external device.

Some of the external devices require special drivers (see the operating system and external device documentation).

Connecting devices to the notebook

1. Turn off your notebook and all external devices.
2. Unplug your notebook and all devices from the mains sockets.
3. Connect the cables for your external devices following the instructions.
4. Plug all power cables into the mains sockets.

Disconnecting devices from the notebook

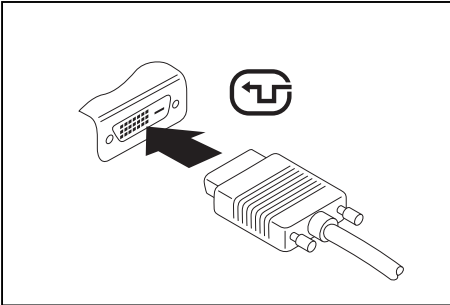
1. Turn off your notebook and all external devices.
2. Unplug your notebook and all devices from the mains sockets.
3. Disconnect the cables for your external devices following the instructions.

Connecting an external monitor

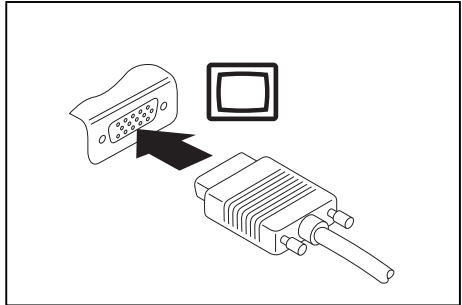


The Port Replicator, available as an option for your notebook, offers you a DVI port and a DisplayPort.

An analogue monitor is connected to the analogue VGA monitor port, a digital monitor to the DVI-I monitor port of the port replicator. Screen output is limited to a maximum of two screens at any one time (see ["Key combinations", Page 40](#), section "Toggle output screen").



Digital DVI monitor port



Analogue VGA monitor port

- ▶ Switch off the notebook and the external monitor.
- ▶ Plug the data cable of the external monitor into the monitor port.
- ▶ First switch on the external monitor and then the notebook.

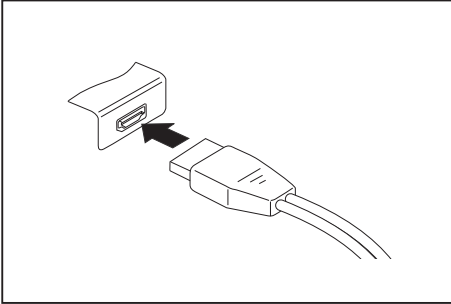


You can also switch back and forth between the external monitor and the notebook's LCD monitor, see chapter ["Key combinations", Page 40](#).

You can display the same picture on the external monitor and the notebook LCD screen simultaneously.

Connecting an external monitor to the DisplayPort

It is possible to connect a digital monitor to the DisplayPort on the port replicator. Screen output is limited to a maximum of two screens at any one time (see "[Key combinations](#)", [Page 40](#), section "Toggle output screen").



Digital DisplayPort

- ▶ Switch off the notebook and the external monitor.
- ▶ Plug the data cable of the external monitor into the monitor port.
- ▶ First switch on the external monitor and then the notebook.

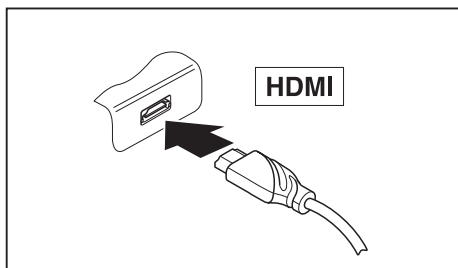


You can also switch between the external monitor and the LCD monitor of the notebook, see chapter "[Key combinations](#)", [Page 40](#).

You can display the same picture on the external monitor and the notebook LCD monitor simultaneously.

HDMI port

The HDMI port on your notebook can be used to connect an external amplifier, LCD TV or a plasma TV with an HDMI connection.



- ▶ Connect the data cable to the external device.
- ▶ Connect the data cable to the HDMI port of the notebook.



Some LCD televisions have only two loudspeaker connections and therefore cannot reproduce Dolby digital or DTS. In order to reproduce the sound, you must go into *Windows* and adjust the sound settings.

Proceed as follows:

- ▶ Select *Startsymbol – (Settings) – Control Panel – Hardware and Sound – Sound*.
- ▶ Mark *Realtek HDMI Output*.
- ▶ Select *Properties – Supported formats*.
- ▶ Deactivate the settings *DTS audio* and *Dolby digital*.
- ▶ Confirm the settings with *OK*.

Connecting USB devices

On the USB ports, you can connect external devices that also have a USB port (e.g. a DVD drive, a printer, a scanner or a modem).



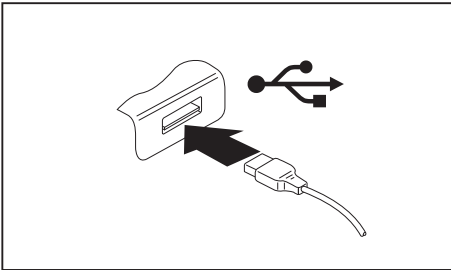
USB devices are hot-pluggable. This means you can connect and disconnect devices while your operating system is running.

USB 1.x has a maximum data transfer rate of 12 Mbit/s.

USB 2.0 has a data transfer rate of up to 480 Mbit/s.

USB 3.0 has a data transfer rate of up to 5 Gbit/s.

Additional information can be found in the documentation for the USB devices.



- ▶ Connect the data cable to the external device.
- ▶ Connect the data cable to a USB port of the notebook.



Device drivers

USB devices will be automatically recognised and installed by your operating system.

USB port with charging function (Anytime USB charge)

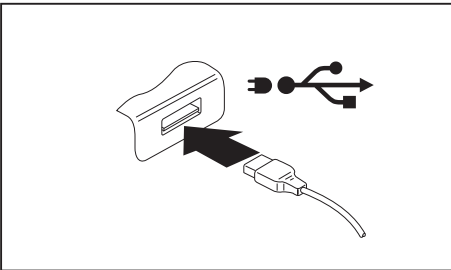


It is recommended that the notebook be operated with the power supply connected whenever the USB port with charging function is in use, as this function will drain the battery more quickly if an external USB device is being charged.

The power supply unit must already be connected when the notebook is switched off, as otherwise the USB charging function will be disabled and the connected USB devices will not be charged.



Some USB devices (e.g. mobile telephones) require a driver in order to utilise the USB charging function. In this case the USB charging function will not work when the notebook is switched off, as no drivers are active when the notebook is switched off.



You can use this USB port to charge or supply power to a USB device (e.g. to charge a PDA or a mobile phone or to connect a USB lamp), even if the notebook is switched off.

How to remove USB devices correctly



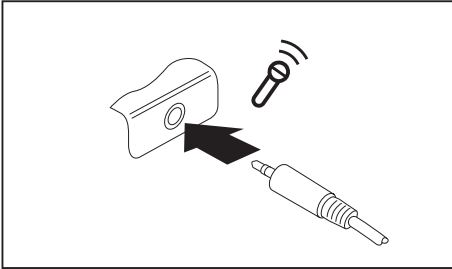
Always correctly remove the device according to the rules described below, to ensure that none of your data is lost.

- ▶ Left click on the icon to safely remove hardware, located in the taskbar.
- ▶ Select the device which you want to shut down and remove.
- ▶ Press the Enter key.
- ↳ Wait for the dialogue box which tells you that it is now safe to remove the device.

Connecting external audio devices

Microphone port/Line In

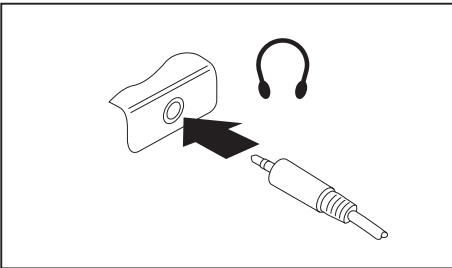
The microphone port/Line In allows you to connect an external microphone, a MiniDisc player, MP3 player, CD player or a tape deck to your notebook.



- ▶ Connect the audio cable to the external device.
- ▶ Connect the audio cable to the microphone port/Line In of the notebook.

Headphone port

You can connect headphones or external loudspeakers to your notebook via the headphone port.



- ▶ Connect the audio cable to the external device.
- ▶ Connect the audio cable to the headphone port of the notebook.
- ↳ The internal loudspeakers are disabled.



If you purchase a cable from a retailer, please note the following information:

The headphone port on your notebook is a "3.5 mm jack socket".

If you want to connect headphones or a speaker you will need a "3.5 mm jack plug".

Removing and installing components during servicing



Only qualified technicians should repair your notebook. Unauthorised opening or incorrect repair may greatly endanger the user (electric shock, fire risk) and will invalidate your warranty.

After consulting the Hotline/Service Desk, you may remove and install the components described in this chapter yourself.



If you remove and install components without consulting the Hotline/Service Desk, then the warranty of your notebook will be voided.

Notes on installing and removing boards and components

- Switch the notebook off and pull the power plug out of the mains socket.
- Always remove the battery.
- Take care when you use the locking mechanisms on the battery and any other component.
- Never use sharp objects such as screwdrivers, scissors or knives as leverage to remove covers.



Boards with electrostatic sensitive devices (ESD) are marked with the label shown.

When handling boards fitted with ESDs, you must always observe the following points:

- You must always discharge static build up (e.g. by touching a grounded object) before working.
- The equipment and tools you use must be free of static charges.
- Remove the power plug from the mains supply before inserting or removing boards containing ESDs.
- Always hold boards with ESDs by their edges.
- Never touch pins or conductors on boards fitted with ESDs.

Preparing to remove components

If you are going to remove or change system components, prepare for the removal as follows:



Please observe the safety information in chapter ["Important notes", Page 12](#).

Remove the power plug from the mains outlet !

- ▶ Switch the device off.



The device must not be in energy-saving mode !

- ▶ Close the LCD screen.
- ▶ Remove all the cables from the device.
- ▶ Turn the device over and place it on a stable, flat and clean surface. If necessary, lay an anti-slip cloth on this surface to prevent the device from being scratched.
- ▶ Remove the battery (see ["Removing the battery", Page 46](#)).

Installing and removing memory expansion

If you are asked by the Hotline/Service Desk to remove and install the memory expansion yourself, proceed as follows:



Please observe the safety information in chapter ["Important notes", Page 12](#).

When installing/removing memory modules, the battery must be removed from the notebook and the notebook must not be connected to the power supply, see ["Preparing to remove components", Page 83](#).

Only use memory expansion modules that have been approved for your notebook (see ["Technical data", Page 99](#)).

Never use force when installing or removing a memory extension.

Make sure that foreign objects do not fall into the memory extension compartment.

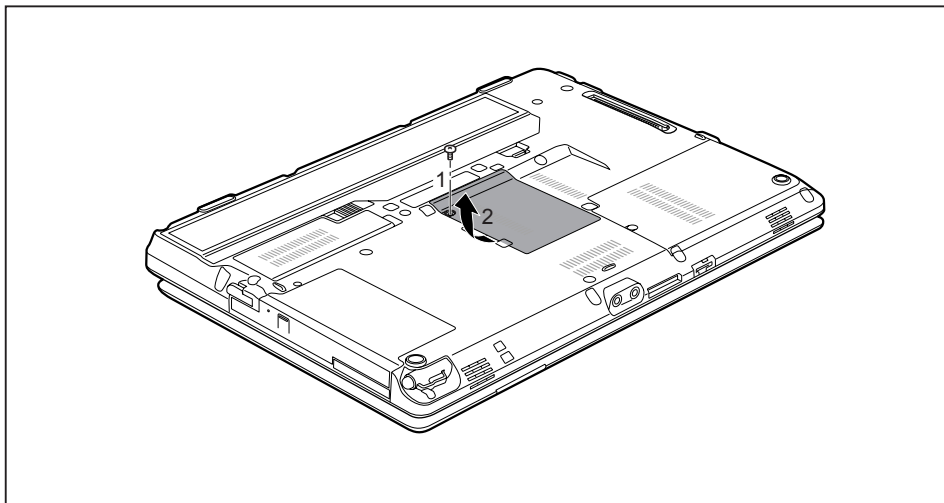
You must open the service compartment to remove or install a memory module. On some devices, opening the compartment may expose other components. These components should be removed and replaced only by authorised specialists. Therefore, be sure to observe the following:



Individual components can become very hot during operation. Therefore, we recommend that you wait one hour after switching off the notebook before removing or installing memory modules. Otherwise, there is a risk of suffering burns!

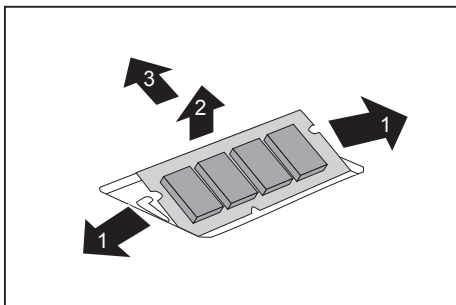
As some components are exposed that are sensitive to static electricity, please take note of chapter ["Notes on installing and removing boards and components", Page 82](#).

Removing a cover



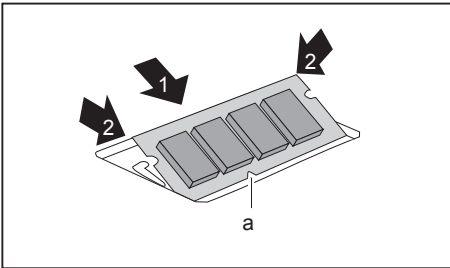
- ▶ Remove the screw (1).
- ▶ Pull off the cover from the notebook in the direction of the arrow (2).

Removing memory modules



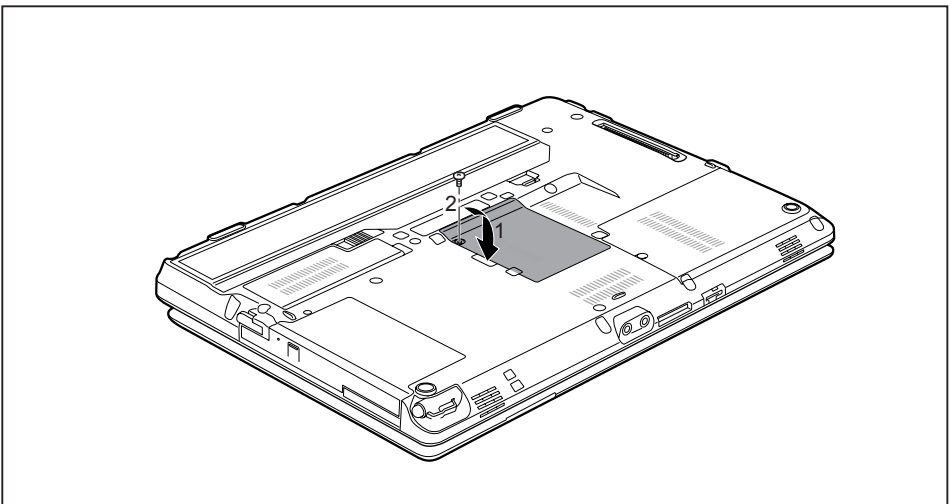
- ▶ Carefully push the two mounting clips outwards (1).
- ↳ The memory module snaps upwards (2).
- ▶ Pull the memory module out of its slot in the direction of the arrow (3).

Installing a memory module



- ▶ Insert the memory module with the contacts and the recess (a) facing the slot (1).
- ▶ Carefully push the memory module downwards until you feel it click into place (2).

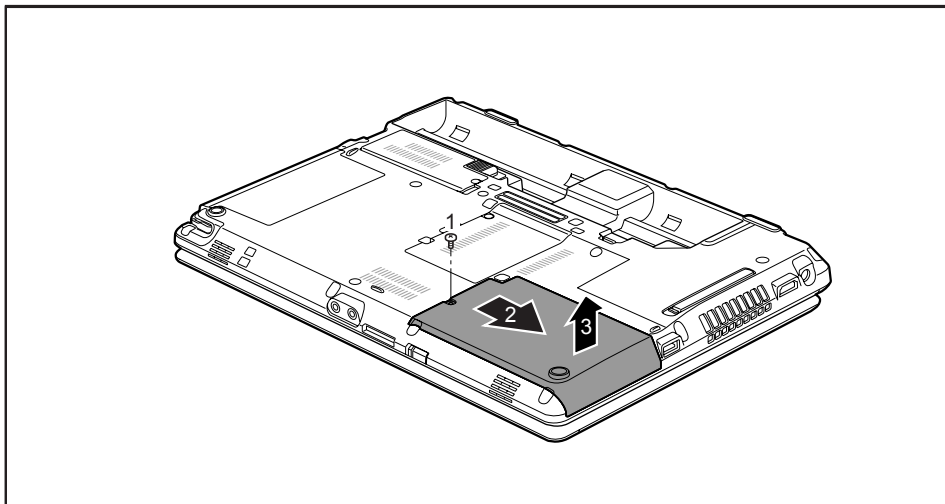
Attaching the cover



- ▶ Place the cover into position, following the direction of the arrow (1).
- ▶ Fasten the cover with the screw (2).
- ▶ Install the battery again (see ["Removing and installing the battery". Page 46](#)).
- ▶ Turn the notebook the right way up again and place it on a flat surface.
- ▶ Reconnect the cables that were previously disconnected.

Removing and installing the hard disk

Removing a cover



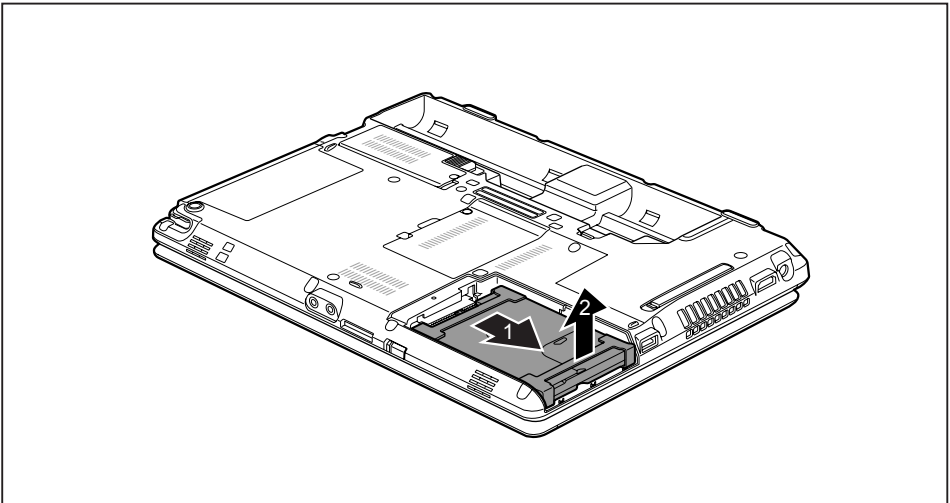
- ▶ Remove the screw (1).



Keep the screw in a safe place. If you are removing more than one component at the same time, store the screws for the individual components separate from each other. If you install the wrong screws, components may be damaged.

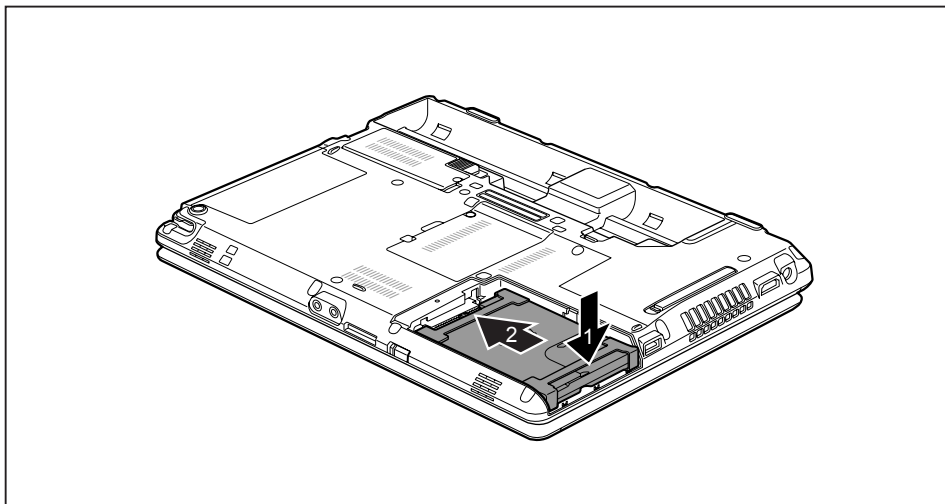
- ▶ Slide the cover in direction of the arrow (2).
- ▶ Lift the cover off the notebook (3).

Removing a hard disk



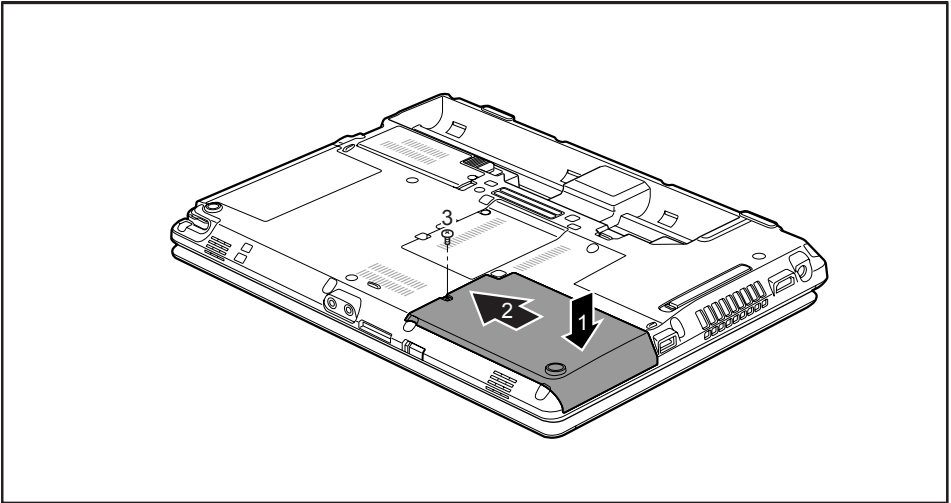
- ▶ To release the hard disk from the contacts, pull it in the direction of the arrow (1).
- ▶ Remove the hard disk from the hard disk compartment (2).

Installing a hard disk



- ▶ Place the hard disk into the hard disk compartment (1).
- ▶ Push the hard disk in the direction of the arrow (2) until the contacts of the hard disk engage.

Attaching the cover



- ▶ Place the cover in the correct mounting position (1).
- ▶ Slide the cover in the direction of the arrow (2).
- ▶ Tighten the screw (3).

Finishing component removal

After you have removed or changed the system components as you required, please prepare your device for operation again as follows:

- ▶ Install the battery again (see ["Inserting battery", Page 47](#)).
- ▶ Turn the notebook the right way up again and place it on a flat surface.
- ▶ Reconnect the cables that you disconnected before.

Settings in BIOS Setup Utility

The *BIOS Setup Utility* allows you to set the system functions and the hardware configuration for the notebook.

When it is delivered, the notebook is set to factory default settings. You can change these settings in *BIOS Setup Utility*. Any changes you make take effect as soon as you save and exit the *BIOS Setup Utility*.

The *BIOS Setup Utility* program contains the following menus:

<i>About</i>	Displays information relating to the BIOS, processor and notebook
<i>System</i>	Advanced system settings
<i>Advanced</i>	Configuration of various hardware components, such as mouse, keyboard, processor
<i>Security</i>	Password settings and security functions
<i>Boot</i>	Configuration of the start-up sequence
<i>Exit</i>	Exits the <i>BIOS Setup Utility</i>

Starting the BIOS Setup Utility

- ▶ Reboot the device (switch off/on or reboot the operating system).
- ↳ The following or a similar display appears on the screen at start-up:

<F2> BIOS Setup <F12> Boot Menu

- ▶ Press the function key **F2**.
- ▶ If a password has been assigned, enter the password and press the Enter key.



If you have forgotten the password, contact your system administrator or contact our customer service centre.

The *BIOS Setup Utility* starts.

Operating BIOS Setup Utility



Press the **F1** key to display help on the operation of the *BIOS Setup Utility*. The description of the individual settings is shown in the right-hand window of the *BIOS Setup Utility*.

With the **F9** key you can load the default settings of the *BIOS Setup Utility*.

- ▶ Use the cursor keys **←** or **→** to select the menu you wish to access to make changes.
- ↳ The menu is displayed on the screen.
- ▶ Select the option you want to change with the cursor keys **↑** or **↓**.
- ▶ Press the Enter key.
- ▶ Press the **ESC** key to exit the selected menu.
- ▶ For future reference, make a note of the changes you have made (for example, in this manual).

Exiting BIOS Setup Utility

You need to select the desired option in the *Exit* menu and activate it by pressing the Enter key:

Exit Saving Changes - save changes and exit BIOS Setup Utility

- ▶ To save the current menu settings and exit the *BIOS Setup Utility*, select *Exit Saving Changes* and *Yes*.
- ↳ The notebook is rebooted and the new settings come into effect.

Exit Discarding Changes – Discard changes and exit BIOS Setup Utility

- ▶ To discard the changes, select *Exit Discarding Changes* and *Yes*.
- ↳ The settings in place when *BIOS Setup Utility* was called remain effective. *BIOS Setup Utility* is terminated and the notebook is rebooted.

Load Setup Defaults – Copy Standard Entries

- ▶ To copy the standard entries for all menus of the *BIOS Setup Utility*, choose *Load Setup Defaults* and *Yes*.

Discard Changes – Discard changes without exiting the BIOS Setup Utility

- ▶ To discard the changes you have made, select *Discard Changes* and *Yes*.
- ↳ The settings in place when *BIOS Setup Utility* was called remain effective. You can now make additional settings in the *BIOS Setup Utility*.
- ▶ If you want to exit *BIOS Setup Utility* with these settings, select *Exit Saving Changes* and *Yes*.

Save Changes - save changes without exiting the BIOS Setup Utility

- ▶ To save the changes, select *Save Changes* and *Yes*.
- ↳ The changes are saved. You can now make additional settings in the BIOS Setup Utility.
- ▶ If you want to exit BIOS Setup Utility with these settings, choose *Exit Saving Changes* and *Yes*.

Save Changes and Power Off

- ▶ To save the changes and switch off your device, select *Save Changes and Power Off* and *Yes*.
- ↳ The changes are saved. Your device is shut down.

Troubleshooting and tips

If a fault occurs, try to correct it as described. If you fail to correct the problem, proceed as follows:

- ▶ Make a note of the steps and the circumstances that led to the fault. Also make a note of any error messages displayed.
- ▶ Switch the notebook off.
- ▶ Please contact the Hotline/Service Desk.



You can contact Fujitsu Service and Support in the following ways:

- Toll free: 1-800-Fujitsu (1-800-838-5487)
- Website: "<http://solutions.us.fujitsu.com/www/content/support/contact/index.php>"

Please have the following information ready when you call:

- The model name and serial number of the notebook. The serial number is located on a sticker on the underside of the notebook.
- Notes of any messages that appear on the screen and information on acoustic signals.
- Any changes you have made to the hardware or software since receiving the notebook.
- Any changes you have made to the *BIOS Setup* settings since receiving the notebook.
- Your system configuration and all peripheral devices connected to your system.
- Your sales contract.



Our notebooks have been designed primarily with mobile applications in mind. This means that considerable effort has been made to optimize components and equipment in terms of weight, space and energy requirements. Depending on the particular configuration you have purchased, it is possible that functionality may be slightly reduced compared to a desktop PC if you are running processor-intensive gaming software, e.g. games with intensive 3D graphics. Updating your hardware with drivers which have not been approved by Fujitsu may result in performance losses, data losses or malfunction of the equipment. A list of approved drivers and current BIOS versions can be downloaded from: "<http://solutions.us.fujitsu.com>"

Help if problems occur

Should you encounter a problem with your computer that you cannot resolve yourself:

- ▶ Note the ID number of your device. The ID number is found on the type rating plate on the back or underside of the casing.
- ▶ For further clarification of the problem, contact the Fujitsu Service Desk. When you do this, please have ready the ID number and serial number of your system.

Recovering your Factory Image

In the event you need to restore your original Factory Image refer to the steps in "Appendix: Miscellaneous Information".

The notebook's date or time is incorrect

Cause	Troubleshooting
Time and date are incorrect.	▶ With the <i>BIOS-Setup-Utility</i> , you can set the date and time in the <i>main</i> menu.
If the time and date are still set incorrectly after switching on the notebook.	▶ Please contact your sales outlet or our Hotline/Service Desk.

Battery indicator does not illuminate

Cause	Fault elimination
The battery is not installed correctly.	<ul style="list-style-type: none"> ▶ Switch the notebook off. ▶ Check whether the battery is installed correctly in its compartment. ▶ Switch the notebook on.
The battery is fully discharged.	<ul style="list-style-type: none"> ▶ Charge the battery. <p>or</p> <ul style="list-style-type: none"> ▶ Install a charged battery. <p>or</p> <ul style="list-style-type: none"> ▶ Connect the notebook to a mains outlet using the mains adapter.

When certain characters are entered on the keyboard, only numerals are written

Cause	Troubleshooting
The virtual numeric keypad of your device is activated, see "Virtual numeric keypad", Page 39	▶ Press the <code>[Num]</code> key.

The notebook's LCD screen remains blank

Cause	Troubleshooting
Monitor is switched off.	▶ Press a key or touch the touchpad.
External monitor or television set connected.	▶ Press the key combination to switch the screen output, see "Key combinations", Page 40 .

The LCD screen is difficult to read

Cause	Troubleshooting
Reflected glare	<ul style="list-style-type: none"> ▶ Turn the notebook or alter the tilt of the LCD screen. ▶ Increase the brightness of the screen.

The external monitor remains blank

Cause	Troubleshooting
Monitor is switched off.	▶ Switch the external monitor on.
Power saving has been activated (monitor is blank).	▶ Press any key to continue.
Brightness is set to dark.	▶ Adjust the brightness of the monitor.
Screen output is set to the notebook's LCD screen	▶ Press the key combination to switch the screen output, see " Key combinations ", Page 40 .
The external monitor's power cable or data cable is not connected properly.	<ul style="list-style-type: none"> ▶ Switch off the external monitor and the notebook. ▶ Check whether the power cable is plugged properly into the external monitor and into the power socket. ▶ Check whether the data cable is properly connected to the notebook and the external monitor (if it is plugged in with a connector). ▶ Switch on the external monitor and the notebook.

The external monitor is blank or the image is unstable

Cause	Troubleshooting
The wrong external monitor has been selected or the wrong screen resolution has been set for the application program.	<ul style="list-style-type: none"> ▶ Terminate the application program in Windows by pressing [Alt] + [F4]. If the fault persists after closing the program, use the key combination for switching the screen output (see "Key combinations", Page 40) to switch over to the notebook's LCD screen. Change the following setting: ▶ Set the screen resolution: Set the screen resolution as described in the documentation for your operating system. ▶ Select monitor: Select monitor 1 or 2 as described in the documentation for your operating system.

The cursor does not correctly follow the pen movements

Cause	Fault elimination
Pen incorrectly calibrated	<ul style="list-style-type: none"> ▶ Calibrate the pen as shown under <i>Hardware and Sound / Tablet PC Settings</i> in the Control Panel, see "Setting the pen", Page 33 and "Calibrating the pen", Page 34.

Pen input not working

Cause	Troubleshooting
Incorrect driver installed.	<ul style="list-style-type: none"> ▶ If your device is one which can only be operated using the pen, install the driver for the standard model. <p style="margin-left: 20px;">or</p> <ul style="list-style-type: none"> ▶ If your device is one which can be operated using the pen and by finger, install the driver for the "Dual Digitizer" model.

The notebook cannot be started

Cause	Troubleshooting
The battery is not installed correctly.	<ul style="list-style-type: none"> ▶ Check whether the battery is installed correctly in its compartment. ▶ Switch the notebook on.
The battery is dead.	<ul style="list-style-type: none"> ▶ Charge the battery. <p style="margin-left: 20px;">or</p> <ul style="list-style-type: none"> ▶ Insert a charged battery. <p style="margin-left: 20px;">or</p> <ul style="list-style-type: none"> ▶ Connect the mains adapter to the notebook.
The power adapter is not connected correctly.	<ul style="list-style-type: none"> ▶ Check whether the mains adapter is connected correctly to the notebook. ▶ Switch the notebook on.

The notebook stops working

Cause	Troubleshooting
Notebook is in energy saving mode.	▶ Leave energy saving mode.
An application programme has caused the malfunction.	▶ Close the application program or restart the notebook (by restarting the operating system or switching the device off and back on again).
The battery is dead.	▶ Charge the battery. or ▶ Insert a charged battery. or ▶ Connect the mains adapter to the notebook.

The printer does not print

Cause	Troubleshooting
The printer is not switched on.	▶ Make sure that the printer is switched on and ready for operation (refer to the documentation supplied with the printer).
The printer is not connected correctly.	▶ Check that the data cable connecting the notebook to the printer is properly connected.
The printer driver is faulty or not correctly installed, or it is the wrong printer driver.	▶ Check that the data cable connecting the notebook to the printer is properly connected. ▶ Check whether the correct printer driver is loaded (refer to the printer documentation).

The radio connection to a network does not work

Cause	Troubleshooting
The wireless component is disabled.	▶ Switch the radio component on (see "Switching the wireless components on and off", Page 60).
The wireless component is enabled. Despite this, the wireless connection to a network does not work.	▶ Check whether the radio connection is switched on via the software. ▶ Further information on using the radio component can be found in the help files.

The battery discharges too quickly

Cause	Troubleshooting
The battery is either too hot or too cold. In this case the battery indicator flashes.	<ul style="list-style-type: none"> ▶ Bring the notebook up/down to a normal temperature again. ▶ If the operating time of the battery life is extremely short, the battery is probably too old. Replace battery if necessary.
You may have an application running that consumes a great deal of power due to frequent accessing of the hard disk or optical drive.	<ul style="list-style-type: none"> ▶ Use the mains adapter as frequently as possible.
The maximum brightness may have been set for the screen.	<ul style="list-style-type: none"> ▶ Set the screen slightly darker with the key combination for <i>Decreasing the screen brightness</i> in order to reduce the amount of power being drawn.

Acoustic warnings

Cause	Troubleshooting
A beep sounds every few seconds. The battery is almost flat.	<ul style="list-style-type: none"> ▶ Charge the battery.

Error messages on the screen

This section describes the error messages generated by the BIOS Setup. Error messages displayed by the operating system or programmes are described in the relevant documentation.



If the error message appears repeatedly, despite troubleshooting measures, please contact the place of purchase or our customer service centre.

Error message/cause	Resolution
<p><i>CMOS battery bad</i></p> <p>If the error message occurs repeatedly, the buffer battery in the notebook is flat.</p>	<ul style="list-style-type: none"> ▶ Contact your sales outlet or our customer service centre.
<p><i>System CMOS checksum bad - default configuration used</i></p> <p>The system configuration information is incorrect.</p>	<ul style="list-style-type: none"> ▶ Switch the notebook off. ▶ Switch the notebook on. ▶ Press the function key [F2] to access the <i>BIOS Setup</i>. ▶ In the <i>BIOS Setup</i>, select the <i>Exit</i> menu. ▶ Select the entry <i>Load Setup Defaults</i>. ▶ Select <i>OK</i> and press the Enter key.

Error message/cause	Resolution
<p><i>Extended memory failed at offset: xxxx Failing Bits: zzzz zzzz</i></p> <p>When testing the extended memory an error has resulted at the address xxxx.</p>	<ul style="list-style-type: none"> ▶ Check whether the additional memory module has been inserted correctly.
<p><i>Failure Fixed Disk n</i></p> <p>The settings of the hard disk drive are incorrect.</p>	<ul style="list-style-type: none"> ▶ Start the <i>BIOS Setup (Primary Master submenu)</i> and select the correct settings.
<p><i>Keyboard controller error</i></p>	<ul style="list-style-type: none"> ▶ Switch the notebook off with the ON/OFF switch. ▶ Wait 3 - 5 seconds and switch on the notebook again.
<p><i>Keyboard error</i></p>	<p>If you are using an external keyboard:</p> <ul style="list-style-type: none"> ▶ Check the connection and reboot the notebook.
<p><i>nn Stuck key</i></p>	<ul style="list-style-type: none"> ▶ Make sure that no key is pressed.
<p><i>Operating system not found</i></p>	<ul style="list-style-type: none"> ▶ Check in the <i>BIOS Setup</i> whether your hard disk has been set correctly. ▶ Make sure that the operating system is installed on the corresponding drive.
<p><i>Press <F1> to resume, <F2> to SETUP</i></p> <p>This error message appears if an error occurs during the self-test before starting the operating system.</p>	<ul style="list-style-type: none"> ▶ Press the [F1] function key to start the operating system. ▶ Press the function key [F2] to access the <i>BIOS Setup</i>.
<p><i>Previous boot incomplete - Default configuration used</i> Due to an error during the previous system boot, default values were used for certain settings. Check the settings in the BIOS Setup.</p>	<ul style="list-style-type: none"> ▶ Press the [F1] function key when prompted to do so.
<p><i>Real time clock error</i></p>	<ul style="list-style-type: none"> ▶ Contact your sales outlet or our customer service centre.
<p><i>nnnnK Shadow RAM failed at offset: xxxx Failing Bits: zzzz</i></p>	<ul style="list-style-type: none"> ▶ Contact your sales outlet or our customer service centre.
<p><i>System battery is dead - Replace and run SETUP</i></p>	<ul style="list-style-type: none"> ▶ Contact your sales outlet or our customer service centre.
<p><i>System cache error - Cache disabled</i></p>	<ul style="list-style-type: none"> ▶ Contact your sales outlet or our customer service centre.
<p><i>System timer error</i></p>	<ul style="list-style-type: none"> ▶ Contact your sales outlet or our customer service centre.

Technical data

Notebook

General	
Processor	3rd Generation Intel® Core™ with vPro™ technology (vPro optional, depending on configuration)
Main memory (SO DIMM)	Maximum 16 Gbyte DDR3 2 slots for 2 Gbyte, 4 Gbyte or 8 Gbyte modules
Electrical data	
Safety regulations complied with	CE
Protection class	II
Maximum power draw (when the notebook is switched on and the battery is charged):	80 W (with and without connected port replicator)
LCD screen	
Size	31.75 cm / 12.5" TFT HD
Resolution	1366 x 768 (HD), 16 mio. colors
Pixel class	II
Brightness control	12 levels
Technology	Wide-View High-Bright HD Display with LED Background Lighting
Digitizer and glass panel	<ul style="list-style-type: none"> • Dual Digitizer • Matter Touchscreen • Toughened glass
WebCam	Full-HD camera (1080 p), with status indicator
Graphics card	
Chip	Intel® HD Graphics 4000
Maximum resolution on external display:	1920 x 1200 pixels, 16 mio. colors on port replicator: <ul style="list-style-type: none"> • VGA: 1920 x 1200 pixels • DVI: 1920 x 1200 pixels • DisplayPort: 2560 x 1600 pixels
Dimensions	
Width x depth x height	315.6 mm x 233 mm x 37.5-33.5 mm with rubber feet
Weight depending on configuration	from 1.8 kg
Input devices	
Keyboard	85 buttons, splash-protected
Touchpad	2 keys
Tablet buttons	5 buttons + 1 Windows button

Technical data

Pen	1 freely programmable rocker button / eraser
Slots	
Memory card slot	1 x SD Card
ExpressCard slot	1 x ExpressCard/54
SIM card slot	1 x
Ports	
Monitor port (analogue)	15-pin socket
HDMI port	1 x
LAN port	Socket, RJ45
Microphone port/Line In	3.5 mm stereo mini jack
Headphones port/Line Out	3.5 mm stereo mini jack
Docking port	100-pin socket
USB (Universal Serial Bus)	Total: 3 x USB (1 x USB 3.0 with charging function (Anytime USB charge), 2 x USB 2.0)
Security Lock	1 x
Ambient conditions	
Environment class DIN IEC 721	7K1
Mechanism class DIN IEC 721	7M2
Operating temperature	5°C 35°C
Transport temperature (2K2)	-15°C 60°C

Port Replicator (optional)

Electrical data	
Safety regulations complied with	CE
Protection class	II
Ports	
Monitor port (analogue)	15-pin
Monitor port (digital)	25-pin, DVI-D
DisplayPort	1 x
LAN port	RJ45
USB (Universal Serial Bus)	4 x USB 3.0
Audio	Headphone port
Docking port	100-pin
Security Lock	1 x
Ambient conditions	
Environment class DIN IEC 721	7K1
Mechanism class DIN IEC 721	7M2
Operating temperature	5 °C 35°C
Transport temperature	-15 °C 60 °C

Rechargeable battery



You will find information on the batteries used in your device on the Internet at ["http://www.fujitsu.com/fts/support/"](http://www.fujitsu.com/fts/support/).

In addition to the main battery, you can order an optional battery which is inserted in the module slot. All rechargeable batteries are 6-cell batteries.

	Main battery	Optional battery (to be inserted in the module bay)
Rated voltage	10.8 V	10.8 V
Rated capacity	72.4 Wh	28.1 Wh
Nominal power	6700 mAh	2600 mAh



The operating time depends on the device configuration, the active applications and the energy-saving settings.

Mains adapter for use with the notebook and port replicator



The following technical data applies to the mains adapter supplied with the notebook and to the port replicator which you can order optionally.

Primary	
Rated voltage	100 V to 240 V (automatic)
Rated frequency	50 Hz to 60 Hz (automatic)
Max. rated current	0.7 A to 1.2 A
Secondary	
Nominal power	80 W
Rated voltage	19 V
Max. rated current	4.22 A



An additional mains adapter or power cable can be ordered at any time.

Manufacturer's notes

Disposal and recycling

You can find information on this subject on your notebook or on our website ("http://solutions.us.fujitsu.com/www/content/products/trade-in_program/").

Recycling your battery

Over time, the batteries that run your mobile computer will begin to hold a charge for a shorter amount of time; this is a natural occurrence for all batteries. When this occurs, you may want to replace the battery with a fresh one*. If you replace it, it is important that you dispose of the old battery properly because batteries contain materials that could cause environmental damage if disposed of improperly.

Fujitsu is very concerned with environmental protection, and has enlisted the services of the Rechargeable Battery Recycling Corporation (RBRC)**, a nonprofit public service organization dedicated to protecting our environment by recycling old batteries at no cost to you.

RBRC has drop-off points at tens of thousands of locations throughout the United States and Canada. To find the location nearest you, go to "www.RBRC.org" or call 1-800-822-8837.

If there are no convenient RBRC locations near you, you can also go to the EIA Consumer Education Initiative website "<http://EIAE.org/> " and search for a convenient disposal location.



Remember – protecting the environment is a cooperative effort, and you should make every effort to protect it for current and future generations.

* To order a new battery for your Fujitsu mobile computer, go to the Fujitsu shopping site at "www.shopfujitsu.com" in the US or "www.fujitsu.ca/products/notebooks" in Canada.

** RBRC is an independent third party to which Fujitsu provides funding for battery recycling; RBRC is in no way affiliated with Fujitsu.

Declarations of Conformity

This device complies with Part 15 of the FCC rules. Operations are subject to the following two conditions: (1) This device may not cause harmful interference, (2) This device must accept any interference received, including interference that may cause undesired operation.

Regulatory notices

FCC Notices

NOTICE:

Changes or modifications not expressly approved by Fujitsu could void this user's authority to operate the equipment.

Notice to Users of Radios and Television

These limits are designed to provide reasonable protection against harmful interference in a residential installation. This equipment generates, uses, and can radiate radio frequency energy and, if not installed and used in accordance with the instructions, may cause harmful interference to radio communications. However, there is no guarantee that interference will not occur in a particular installation. If this equipment does cause harmful interference to radio or television reception, which can be determined by turning the equipment off and on, the user is encouraged to try to correct the interference by one or more of the following measures:

- Reorient or relocate the receiving antenna.
- Increase the separation between the equipment and receiver.
- Connect the equipment into an outlet that is on a different circuit than the receiver.
- Consult the dealer or an experienced radio/TV technician for help.

DOC (Industry CANADA) notice

Radios and Television

This Class B digital apparatus meets all requirements of Canadian Interference-Causing Equipment Regulations.

CET appareil numérique de la class B respecte toutes les exigence du Règlement sur le matériel brouilleur du Canada.

UL Notice

This unit requires an AC adapter to operate. Only use UL Listed I.T.E. adapters with an output rating of 19 VDC, with a minimum current of 3.42 (65W). The correct output rating is indicated on the AC adapter label. Refer to the illustration below for the correct AC Adapter output polarity:



When using your notebook equipment, basic safety precautions should always be followed to reduce the risk of fire, electric shock and injury to persons, including the following:

- Do not use this product near water for example, near a bathtub, washbowl, kitchen sink or laundry tub, in a wet basement or near a swimming pool.
- Use only the power cord and batteries indicated in this manual. Do not dispose of batteries in a fire. They may explode. Check with local codes for possible special disposal instructions.

For Authorized Repair Technicians Only



CAUTION:

For continued protection against risk of fire, replace only with the same type and rating fuse.



WARNING:

Danger of explosion if Lithium (CMOS) battery is incorrectly replaced. Replace only with the same or equivalent type recommended by the manufacturer.

Dispose of used batteries according to the manufacturer's instructions.

FCC Regulatory information

Federal Communications Commission statement

This device complies with Part 15 of FCC Rules. Operation is subject to the following two conditions: (1) this device may not cause interference, and

(2) this device must accept any interference, including interference that may cause undesired operation of this device.

FCC Interference Statement

This equipment has been tested and found to comply with the limits for a Class B digital device, pursuant to Part 15 of the FCC Rules. These limits are designed to provide reasonable protection against harmful interference in a residential installation. This equipment generates, uses, and can radiate radio frequency energy. If not installed and used in accordance with the instructions, it may cause harmful interference to radio communications.

However, there is no guarantee that interference will not occur in a particular installation.

If this equipment does cause harmful interference to radio or television reception, which can be determined by turning the equipment off and on, the user is encouraged to try to correct the interference by one or more of the following measures:

1. Reorient or relocate the receiving antenna.
2. Increase the distance between the equipment and the receiver.
3. Connect the equipment to an outlet on a circuit different from the one the receiver is connected to.
4. Consult the dealer or an experienced radio/TV technician for help.

Please note the following regulatory information related to the optional radio device.

FCC Radio Frequency Exposure statement

This radio device has been evaluated under FCC Bulletin OET 65C and found compliant with the requirements as set forth in CFR 47 Sections 2.1091, 2.1093, and 15.247 (b) (4) addressing RF Exposure from radio frequency devices. The radiated output power of this radio device is far below the FCC radio frequency exposure limits. Nevertheless, this device shall be used in such a manner that the potential for human contact during normal operation is minimized. When using this device, a certain separation distance between antenna and nearby persons must be maintained to ensure RF exposure compliance. In order to comply with RF exposure limits established in the ANSI C95.1 standards, the distance between the antennas and the user should not be less than 20 cm (8 inches).

Regulatory Notes and Statements

Radio device, health and authorisation for use

Radio-frequency electromagnetic energy is emitted from the wireless devices. The energy levels of these emissions, however, are far much less than the electromagnetic energy emissions from wireless devices such as mobile phones. Radio devices are safe for use by consumers because they operate within the guidelines found in radio frequency safety standards and recommendations.

The use of the radio devices may be restricted in some situations or environments, such as:

- on board an airplane, or
- in an explosive environment, or
- in situations where the interference risk to other devices or services is perceived or identified as harmful.

In cases in which the policy regarding use of radio devices in specific environments is not clear (e.g., airports, hospitals, chemical/oil/gas industrial plants, private buildings), obtain authorization to use these devices prior to operating the equipment.

Regulatory Information/Disclaimers

Export restrictions

This product or software contains encryption code which may not be exported or transferred from the US or Canada without an approved US Department of Commerce export license. This device complies with Part 15 of FCC Rules, as well as ICES 003 B / NMB 003 B. Operation is subject to the following two conditions:

- (1) this device may not cause harmful interference, and
- (2) this device must accept any interference received, including interference that may cause undesirable operation.

Modifications not expressly authorized by Fujitsu may invalidate the user's right to operate this equipment.

ENERGY STAR Compliance

Your Fujitsu system is an ENERGY STAR qualified mobile PC. By choosing a computer with the latest energy-saving technology, you're helping to preserve our environment for future generations. ENERGY STAR is a joint program of the U.S. Environmental Protection Agency, U.S. Department of Energy, Natural Resources Canada, and other governments around the world helping us save money while protecting the environment through energy efficient products and practices. With energy costs and global warming top-of-mind for consumers, Fujitsu is committed to offering solutions that help consumers conserve energy and improve the quality of our environment.

Sleep Mode:

You will notice that your computer is initially set so that the display turns off after 15 minutes of user inactivity, and the computer goes into Sleep mode after 20 minutes of user inactivity. When going into Sleep mode, the computer also reduces the speed of any active Ethernet network links. To "wake" the computer from Sleep mode, press the Suspend/Resume Button.

Energy saving benefits:

Fujitsu ENERGY STAR qualified mobile PCs use about half as much electricity as standard equipment – saving half in utility costs. But more than that, ENERGY STAR also makes a difference for the environment. Did you know that the average house can be responsible for twice the greenhouse gas emissions as the average car? That's because every time you flip on a light switch, run your dishwasher, or turn on your PC, you use energy, which means more greenhouse gas emissions from power plants. So the more energy we can save through energy efficiency, the more we help to reduce greenhouse gases and the risks of global warming.

To learn more about the important ENERGY STAR program, visit: "www.energystar.gov".

To read about how Fujitsu is supporting Sustainable Management along with several other environmental activities, visit the Fujitsu Corporate Citizenship page at: "<http://www.computers.us.fujitsu.com/www/content/aboutus/environmental/environment.php>".

Index

- A**
A beep sounds every second 93
Acoustic error messages 97
Anti-theft protection 69
Audio devices, connecting 81
Audio ports 81
- B**
Backspace 38
Bass loudspeaker (subwoofer) 58
Battery
 battery life 45
 caring for and maintaining 45
 charge level 45, 54
 charging 45
 self-discharge 45
 storage 45
Battery status meter 45
Battery:
 discharges too quickly 97
BIOS Setup Utility
 calling 90
 exiting 91
 operating 90
 protecting with password 70
 settings 90
Bluetooth
 Switching off module 60
 Switching on module 60
Bluetooth, safety notes 12
Board 82
Buffer battery, load 93
Buttons 37
- C**
Caps Lock 38
CD/DVD indicator 51
CD/DVD:
 manual emergency removal 52
CE marking 102
Charging capacity, battery 45
Cleaning 14
Components
 installing / removing 82
Configuration, BIOS Setup Utility 90
Connecting audio devices 81
Connecting headphones 81
Crystal View display
 cleaning 14
Cursor control keys 38
Cursor keys 38
- D**
Date is incorrect 93
Declaration of conformity 102
Device
 setting up 16
Devices
 connecting 75
 disconnecting 75
Display orientation
 selecting 24
DOC (INDUSTRY CANADA) NOTICES 104
Drive
 Removing 49
- E**
Emergency removal of data carrier 52
Energy
 energy saving 13
Energy saving 13
Energy saving mode
 leaving 96
Enter 38
Enter key 38
Error message:
 on the screen 97
Error messages on the screen 97
Errors
 Acoustic warnings 97
ESD 82
Ethernet LAN 62
ExpressCard 57
- F**
Fault
 correction 92
Fingerprint sensor 69
 configure 69
First-time setup 15
Fn + F10 41
Fn key 38
Fn+F3 40
Fn+F4 40
Fn+F6 40
Fn+F7 40
Fn+F8 40
Fn+F9 40

G

Getting started 15

H

Handling

data carriers 50

Hardware configuration 90

HDMI port 78

I

Important notes 12

Incorrect date/time 93

Inserting

a data carrier 51

K

Keyboard 37

cleaning 14

L

Landscape orientation

screen 24

LCD screen

cleaning 14

difficult to read 94

notes 28

reduce brightness 40

reflected glare 94

remains blank 93

LCD screen is too dark 93

Life, battery 45

Line feed 38

Loudspeaker

switch off 40

switch on 40

Loudspeakers 58

M

Main memory

see Adding memory 83

Mains adapter

connecting 16

setting up 16

Manual removal of data carrier 52

Mechanical backup 69

Memory card

handling 55

inserting 55

removing 56

Memory expansion

installing 85

removing 84

Memory module

important notes 83

installing 85

removing 84

Microphone 58

Microphone, connecting 81

Mobile operation 13

Module

Removing 49

Module bay 49

Modules 49

Monitor

connecting 76

drifting display 94

remains blank 94

Monitor port

see VGA connection socket 76

N

Notebook

before you travel 13

cannot be started 95

cleaning 14

stops working 96

switching off 26

transporting 13–14

using 18

Notebook, operation 18

Notebook: switching on 21

Notes 12

boards 82

cleaning 14

disposal / recycling 102

energy saving 13

LCD screen 28

Safety 12

transport 13

Num Lock

indicator 39

Numeric keypad 37

see Virtual numeric keypad 39

O

Operating system

activating system protection 71

cancel system protection 71

protecting with password 71

Optical drive 50

P

Packaging 15

- Password
 - changing 71
 - entering 70
 - removing 71
 - Password protection 70
 - Password protection:
 - hard disk 72
 - Peripheral devices
 - connecting 75
 - disconnecting 75
 - Port Replicator
 - Ports 63
 - Portrait orientation
 - screen 24
 - Ports
 - Port Replicator 63
 - Power
 - power consumption 54
 - power-management features 54
 - Power-on indicator 21
 - Preparing for operation 16
 - Printer does not print 96
- R**
- Radio component:
 - safety notes 12
 - Rechargeable battery 45
 - see Battery 45
 - Regulatory information
 - notebooks with radio device 106
 - Notebooks without radio device 103
 - Removing
 - a data carrier 51
 - Removing memory
 - see Adding memory 83
 - Return 38
- S**
- Safety notes 12
 - Screen
 - no screen display 94
 - Screen brightness
 - increase 40
 - reduce 40
 - Screen port
 - see VGA connection socket 76
 - Security functions 68
 - Security Lock 69
 - Selecting a location 16
 - Self-discharge, battery 45
 - Servicing 82
 - Setup
 - see BIOS Setup Utility 90
 - Shift 38
 - Shift key 38
 - Shift+Tab 41
 - Slot
 - ExpressCard 57
 - Memory cards 55
 - Start key 38
 - Status indicators 18
 - Summer time 93
 - Supervisor password
 - changing 71
 - entering 70
 - removing 71
 - Suspend/Resume button 21
 - Switching on for the first time 17
 - Symbols
 - indicators 18
 - System configuration 90
 - System expansion 83
 - see Adding memory 83
 - System settings, BIOS Setup Utility 90
- T**
- Tab back 41
 - Tab key 38
 - The radio connection to a network does
 - not work 96
 - Time not correct 93
 - Time, daylight savings 93
 - Tips 92
 - Toggle output screen 41
 - Touchpad 35, 40
 - buttons 35
 - cleaning 14
 - dragging items 36
 - executing commands 35
 - moving the pointer 35
 - selecting an item 35
 - switch off 40
 - Touchpad buttons 40
 - TPM 74
 - Transport
 - Transport damage 15
 - Transportation 13–14
 - Travel, notebook 13
 - Troubleshooting 92
 - Trusted Platform Module 74
- U**
- UMTS 61
 - Antenna 61

USB charging function 80
USB ports 79
User password
 changing 71
 entering 70
 removing 71
Using the Kensington Lock Cable 69

V

VGA connection socket 76
Virtual numeric keypad 39
Volume
 decrease 40

 increase 40
Volume control 58

W

Webcam 44
Weight Saver
 Removing 49
Wireless LAN
 Switching off module 60
 Switching on module 60
Wireless LAN:
 safety notes 12

Appendix:

Miscellaneous Information

This appendix contains a variety of information that you will find useful in operating your Fujitsu LIFEBOOK. The appendix consists of three sections, as follows:

Fingerprint Sensor Device

The fingerprint sensor is a handy device that lets you avoid having to enter a username and password every time you want to:

- Log onto Windows
- Resume from sleep mode
- Cancel a password-protected screen saver
- Log into homepages that require a username and password

Restoring Your System Image and Software

This section contains important information about saving your system's Factory Image. It also outlines several other important procedures, such as making a system image, restoring your Factory Image and system images, managing your images, and restoring the partitions on a hard drive.

WLAN User's Guide

This section describes the procedures required to properly set up and configure the integrated Wireless LAN Mini-PCI device (referred to as "WLAN device" in the rest of the manual). Before using the WLAN device, read this section carefully to ensure the device's correct operation. Keep this manual in a safe place for future reference.

Fingerprint Sensor Device

Introducing the Optional Fingerprint Sensor Device

With a fingerprint sensor, you can avoid having to enter a username and password every time you want to:

- Log onto Windows
- Resume from sleep mode
- Cancel a password-protected screen saver
- Log into homepages that require a username and password

After you have "enrolled" - or registered - your fingerprint, you can simply swipe your fingertip over the sensor for the system recognize you.

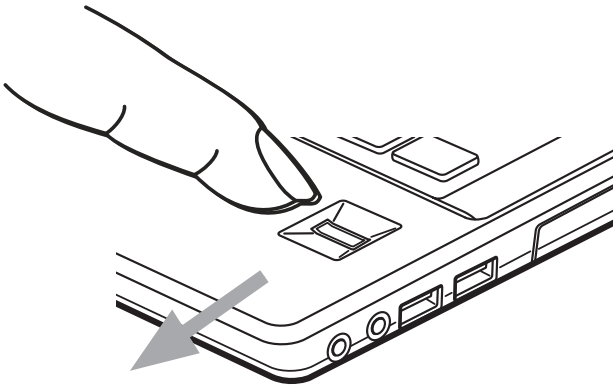


Figure 1. Fingerprint Sensor

The fingerprint sensor uses Softex OmniPass which provides password management capabilities to Microsoft Windows operating systems. OmniPass enables you to use a "master password" for all Windows, applications, and on-line passwords.

OmniPass requires users to authenticate themselves using the fingerprint sensor before granting access to the Windows desktop. This device results in a secure authentication system for restricting access to your computer, applications, web sites, and other password-protected resources.

OmniPass presents a convenient graphical user interface, through which you can securely manage passwords, users, and multiple identities for each user.

Getting Started

This section guides you through the preparation of your system for the OmniPass fingerprint recognition application. You will be led through the OmniPass installation process. You will also be led through the procedure of enrolling your first user into OmniPass.

Installing OmniPass

If OmniPass has already been installed on your system, skip this section and go directly to “User Enrollment” on page 6. You can determine whether OmniPass has already been installed by checking to see if the following are present:

- The gold key-shaped OmniPass icon in the system tray at the bottom right of the screen in the notification area.
- The Softex program group in the **Programs** group of the **Start** menu

System Requirements

The OmniPass application requires space on your hard drive; it also requires specific Operating Systems (OS's). The minimum requirements are as follows:

- Windows XP Professional or later operating system
- At least 60 MB available hard disk space
- Internet Explorer v6.0 or later

Installing the OmniPass Application

If OmniPass is already installed on your system, go to “User Enrollment” on page 6. Otherwise continue with this section on software installation.



FOR INSTALLATION, OMNIPASS REQUIRES THAT THE USER INSTALLING OMNIPASS HAVE ADMINISTRATIVE PRIVILEGES TO THE SYSTEM AND THE SYSTEM SHOULD HAVE THE FINGERPRINT DEVICE. IF YOUR CURRENT USER DOES NOT HAVE ADMINISTRATIVE PRIVILEGES, LOG OUT AND THEN LOG IN WITH AN ADMINISTRATOR USER BEFORE PROCEEDING WITH OMNIPASS INSTALLATION.

- 1 To install OmniPass on your system you must run the Bonus Apps tool as detailed in the Starting section of this manual. Once Bonus Apps have been installed, you may be prompted to restart your system. Once your system has rebooted you will be able to use OmniPass. If you choose not to restart immediately after installation, OmniPass will not be available for use until the next reboot.
- 2 The installation program automatically places an icon (Softex OmniPass) in the Windows Control Panel as well as a golden key shaped icon in the taskbar notification area.

Verifying Information about OmniPass

After you have completed installing OmniPass and restarted your system, you may wish to check the version of OmniPass on your system.

To check the version information of OmniPass:

- 1 From the Windows Desktop, double-click the key-shaped OmniPass icon in the taskbar's notification area (usually located in the lower right corner of the screen),
or,
Windows 7: Click **Start** on the Windows taskbar. Select **Control Panel**.
Windows 8: From the **Modern Start** screen, right-click and select "All Apps", then select **Control Panel**.
Double-click **Softex OmniPass** in the Control Panel, and the OmniPass Control Center will appear. If it does not appear, then

the program is not properly installed,
or,

Windows 7: Click the **Start** button, select **Programs**, and from the submenu select the **Softex** program group, from that submenu click **OmniPass Control Center**.

- 2 Version information is listed on the left side of OmniPass Control Center window.

Uninstalling OmniPass



FOR UNINSTALLATION, OMNIPASS REQUIRES THAT THE USER UNINSTALLING OMNIPASS HAVE ADMINISTRATIVE PRIVILEGES TO THE SYSTEM. IF YOUR CURRENT USER DOES NOT HAVE ADMINISTRATIVE PRIVILEGES, LOG OUT AND THEN LOG IN WITH AN ADMINISTRATOR USER BEFORE PROCEEDING WITH OMNIPASS UNINSTALLATION.

To remove the OmniPass application from your system:

- 1 Windows 7: Click **Start** on the Windows taskbar. Select **Control Panel**.
Windows 8: From the **Modern Start** screen, right-click and select "All Apps", then select **Control Panel**.
- 2 Double-click **Add/Remove Programs** (In Windows 7: **Programs and Features**).
- 3 Select **OmniPass**, and then click **Uninstall**.
- 4 Follow the directions to uninstall the OmniPass application.
- 5 Once OmniPass has finished uninstalling, reboot your system when prompted.

User Enrollment

Before you can use any OmniPass features you must first enroll a user into OmniPass.

Master Password Concept

Computer resources are often protected with passwords. Whether you are logging into your computer, accessing your email, e-banking, paying bills online, or accessing network resources, you often have to supply credentials to gain access. This can result in dozens of sets of credentials that you have to remember.

During user enrollment a "master password" is created for the enrolled user. This master password "replaces" all other passwords for sites you register with OmniPass.

Example: A user, John, installs OmniPass on his system (his home computer) and enrolls an OmniPass user with username "John_01" and password "freq14". He then goes to his webmail site to log onto his account. He inputs his webmail credentials as usual (username "John_02" and password "lifebook"), but instead of clicking [Submit], he directs OmniPass to **Remember Password**. Now whenever he returns to that site, OmniPass will prompt him to supply access credentials.

John enters his OmniPass user credentials ("John_01" and "freq14") in the OmniPass authentication prompt, and is allowed into his webmail account. He can do this with as many sites or password-protected resources he likes, and he will gain access to all those sites with his OmniPass user credentials ("John_01" and "freq14"). This is assuming he is accessing those sites with the system onto which he enrolled his OmniPass user. OmniPass does not actually change the credentials of the password protected resource. If John were to go to another computer without he OmniPass account to access his webmail, he would need to enter his original webmail credentials ("John_02" and "lifebook") to gain access. If he attempts his OmniPass user credentials on a system other than a system he's enrolled on, he will not gain access.

Basic Enrollment

The Enrollment Wizard will guide you through the process of enrolling a user. Unless you specified otherwise, after OmniPass installation the Enrollment Wizard will launch on Windows login. If you do not see the Enrollment Wizard, you can bring it up by clicking **Start** on the Windows taskbar; select **Programs**; select **Softex**; click **Enroll a new user**.

- 1 Click **[Enroll an existing Windows user]** to proceed to username and password verification. By default, the OmniPass Enrollment Wizard enters the credentials of the currently logged in Windows user. (**Note:** Click **[Create and Enroll a new Windows user]** to create a new Windows user account and enroll that user into OmniPass.)
- 2 Enter the password you use to log in to Windows. This will become the "master password" for this user. In most cases, the **Domain:** value will be your Windows computer name. In corporate environments, or when accessing corporate resources, the **Domain:** may not be your Windows computer name. Click **[Next]** to continue.
- 3 In this step OmniPass captures your fingerprint. Refer to "Enrolling a Fingerprint" on page 8 for additional information.
- 4 Next, choose how OmniPass notifies you of various events. We recommend you keep **Taskbar Tips** on **Beginner mode taskbar tips** and **Audio Tips** on at least **Prompt with system beeps only** until you get accustomed to how OmniPass operates. Click **[Next]** to proceed with user enrollment. You will then see a Congratulations screen indicating your completion of user enrollment.
- 5 Click **[Done]** to exit the OmniPass Enrollment Wizard. You will be asked if you'd like to log in to OmniPass with your newly enrolled user; click **[Yes]**.

Enrolling a Fingerprint

Enrolling a fingerprint will increase the security of your system and streamline the authentication procedure.

You enroll fingerprints in the OmniPass Control Center. With an OmniPass user logged in, double-click the system tray OmniPass icon. Select the **User Settings** tab and click **Enrollment** under the **User Settings** area. Click **Enroll Authentication Device** and authenticate at the authentication prompt to start device enrollment.

- 1 During initial user enrollment, you will be prompted to select the finger you wish to enroll. Fingers that have already been enrolled will be marked by a green check. The finger you select to enroll at this time will be marked by a red arrow. OmniPass will allow you re-enroll a finger. If you choose a finger that has already been enrolled and continue enrollment, OmniPass will enroll the fingerprint, overwriting the old fingerprint. Select a finger to enroll and click [Next].
- 2 It is now time for OmniPass to capture your selected fingerprint. It may take a several capture attempts before OmniPass acquires your fingerprint. Should OmniPass fail to acquire your fingerprint, or if the capture screen times out, click [Back] to restart the fingerprint enrollment process.

Your system has a “swipe” fingerprint sensor. A swipe sensor is small and resembles a skinny elongated rectangle. To capture a fingerprint, gently swipe or pull your fingertip over the sensor (starting at the second knuckle) **towards yourself**. Swiping too fast or too slow will result in a failed capture. The **Choose Finger** screen has a [Practice] button; click it to practice capturing your fingerprint. When you are comfortable with how your fingerprint is captured, proceed to enroll a finger.

- 3 Once OmniPass has successfully acquired the fingerprint, the **Verify Fingerprint** screen will automatically appear. To verify your enrolled fingerprint, place your fingertip on the sensor and hold it there as if you were having a fingerprint captured. Successful fingerprint verification will show a green fingerprint in the capture window and the text **Verification Successful** under the capture window.
- 4 After you finish enrolling and verifying your fingerprints, you have the option to **Enable PBA with enrolled finger**. If you enable this option, then you must choose two fingers to save in PBA. If you have enrolled successfully, the **Finger Enrollment Status in PBA** screen will state Finger saved in PBA successfully.



IF YOU ENABLE PBA ON YOUR SYSTEM, YOU MUST SET THE SUPERVISOR PASSWORD AND PASSWORD ON BOOT SETTINGS. SEE "HARD DISK DRIVE PASSWORDS" ON PAGE 51 FOR ADDITIONAL INFORMATION.

Using OmniPass

You are now ready to begin using OmniPass. Used regularly, OmniPass will streamline your authentications.

Password Replacement

You will often use the password replacement function. When you go to a restricted access website (e.g., your bank, your web-based email, online auction or payment sites), you are always prompted to enter your login credentials. OmniPass can detect these prompts and you can teach OmniPass your login credentials. The next time you go to that website, you can authenticate with your fingerprint to gain access.

OmniPass Authentication Toolbar

After installing OmniPass and restarting, you will notice a dialog you have not seen before at Windows Logon. This is the OmniPass Authentication Toolbar, and it is displayed whenever the OmniPass authentication system is invoked. The authentication system may

be invoked frequently: during Windows Logon, during OmniPass Logon, when unlocking your workstation, when resuming from sleep or hibernate, when unlocking a password-enabled screensaver, during password replacement for remembered site or application logins. When you see this toolbar, you are being prompted to authenticate.

The **Logon Authentication** window indicates what OmniPass-restricted function you are attempting. Icons in the lower left (fingerprint and key) show what authentication methods are available to you. Selected methods are highlighted while unselected methods are not. When you click the icon for an unselected authentication method, the authentication prompt associated with that method is displayed.

When prompted to authenticate, you must supply the appropriate credentials: an enrolled finger for the fingerprint capture window or your master password for the master password prompt (the key icon).

Remembering a Password

OmniPass can remember any application, GUI, or password protected resource that has a password prompt.

Using the following procedure, you can store a set of credentials into OmniPass. These credentials will then be linked to your "master password" or fingerprint.

Go to a site that requires a login (username and password), but *do not log in yet*. At the site login prompt, enter your username and password in the prompted fields, but *do not enter the site* (do not hit [Enter], [Submit], [OK], or Login). Right-click the OmniPass system tray icon and select **Remember Password** from the submenu. The Windows arrow cursor will change to a golden key OmniPass cursor. Click the OmniPass cursor in the login prompt area, but don't click [Login] or [Submit].

Associating a Friendly Name

After clicking the OmniPass key cursor near the login prompt, OmniPass will prompt you to enter a “friendly name” for this site. You should enter something that reminds you of the website, the company, or the service you are logging into. In its secure database, OmniPass associates this friendly name with this website.

Additional Settings for Remembering a Site

When OmniPass prompts you to enter a “friendly name” you also have the opportunity to set how OmniPass authenticates you to this site. There are three effective settings for how OmniPass handles a remembered site.

The default setting is **Automatically click the “OK” or “Submit” button for this password protected site once the user is authenticated.** With this setting, each time you navigate to this site OmniPass will prompt you for your master password or fingerprint authentication device. Once you have authenticated with OmniPass, you will automatically be logged into the site.

Less secure is the option to **Automatically enter this password protected site when it is activated. Do not prompt for authentication.** Check the upper box to get this setting, and each time you navigate to this site OmniPass will log you into the site without prompting you to authenticate.



THIS SETTING IS MORE CONVENIENT IN THAT WHENEVER YOU GO TO A SITE REMEMBERED WITH THIS SETTING, YOU WILL BYPASS ANY AUTHENTICATION PROCEDURE AND GAIN INSTANT ACCESS TO THE SITE. BUT SHOULD YOU LEAVE YOUR SYSTEM UNATTENDED WITH YOUR OMNIPASS USER LOGGED IN, ANYONE USING YOUR SYSTEM CAN BROWSE TO YOUR PASSWORD PROTECTED SITES AND GAIN AUTOMATIC ACCESS.

If you uncheck both boxes in **Settings for this Password Site,** OmniPass will prompt you for your master password or fingerprint authentication device. Once you have authenticated with OmniPass

your credentials will be filled in to the site login prompt, but you will have to click the website [OK], [Submit], or [Login] button to gain access to the site.

Click **Finish** to complete the remember password procedure. The site location, the credentials to access the site, and the OmniPass authentication settings for the site are now stored in the OmniPass secure database. The OmniPass authentication settings (**Settings for this Password Site**) can always be changed in **Vault Management**.

Logging in to a Remembered Site

Whether or not OmniPass prompts you to authenticate when you return to a remembered site is determined by **Settings for this Password Site** and can be changed in **Vault Management**.

The following cases are applicable to using OmniPass to login to: Windows, remembered web sites, and all other password protected resources.

With Master Password

Once you return to a site you have remembered with OmniPass, you may be presented with a master password prompt. Enter your master password and you will be allowed into the site.

Logging into Windows with a Fingerprint Device

When logging into Windows with a fingerprint device, the fingerprint capture window will now appear next to the Windows Login screen. Place your enrolled fingertip on the sensor to authenticate. You will be simultaneously logged into Windows and OmniPass. The capture window will also appear if you have used **Ctrl-Alt-Del** to lock a system, and the fingerprint device can be used to log back in as stated above.



IF A MACHINE IS LOCKED AND OMNIPASS DETECTS A DIFFERENT USER LOGGING BACK IN WITH A FINGERPRINT, THE FIRST USER WILL BE LOGGED OUT AND THE SECOND USER LOGGED IN.

Password Management

OmniPass provides an interface that lets you manage your passwords. To access this GUI, double-click the OmniPass key in the system tray. Click **Vault Management**; you will be prompted to authenticate. Once you gain access to **Vault Management**, click **Manage Passwords** under **Vault Settings**. You will see the **Manage Passwords** interface, with a list of friendly names.

You can view the credentials stored for any remembered website by highlighting the desired resource under **Password Protected Dialog** and clicking **Unmask Values**. Should a password be reset, or an account expire, you can remove stored credentials from OmniPass. Highlight the desired resource under **Password Protected Dialog** and click **Delete Page**. You will be prompted to confirm the password deletion.

The two check boxes in **Manage Passwords** govern whether OmniPass prompts you to authenticate or directly logs you into the remembered site.

OmniPass will overwrite an old set of credentials for a website if you attempt to use **Remember Password** on an already remembered site.

The exception to the above rule is when resetting the Windows password. If your password is reset in Windows, the next time you login to Windows, OmniPass will detect the password change and prompt you to "Update" or "Reconfirm" the password with OmniPass. Enter your new Windows password in the prompt and click **OK**. Your OmniPass "master password" will still be your Windows password.

OmniPass User Identities

Identities allow OmniPass users to have multiple accounts to the same site (e.g., *bob@biblomail.com* and *boballen@biblomail.com*). If OmniPass did not provide you identities, you would be limited to remembering one account per site.

To create and manage identities, double-click the OmniPass key in the system tray. Click **Vault Management**; OmniPass will prompt you to authenticate. Once you gain access to **Vault Management**, click **Manage Identities** under **Vault Settings**. You can only manage the identities of the currently logged in OmniPass user

To add a new identity, click **New Identity** or double-click **Click here to add a new identity**. Name the new identity and click [OK], then click [Apply]. You can now switch to the new identity and start remembering passwords.

To delete an identity, highlight the identity you want to delete and click [Delete Identity], then click [Apply].



WHEN YOU DELETE AN IDENTITY, ALL OF ITS ASSOCIATED REMEMBERED SITES AND PASSWORD PROTECTED DIALOGS ARE LOST.

To set the default identity, highlight the identity you want as default and click [Set as Default]; click [Apply] to ensure the settings are saved. If you log in to OmniPass with a fingerprint device, you will automatically be logged in to the default identity for that OmniPass user. You can choose the identity with which you are logging in if you login using "master password".

Choosing User Identity during Login

To choose your identity during login, type your username in the **User Name:** field. Press [Tab] and see that the **Domain:** field self-populates. Click the **Password:** field to bring the cursor to it, and you will see the pull-down menu in the **Identity:** field. Select the identity to login as, then click **OK**.

Switch User Identity

To switch identities at any time, right-click the OmniPass system tray icon and click **Switch User Identity** from the submenu. The **Switch Identity** dialog will appear. Select the desired identity and then click **OK**.

Identities and Password Management

On the **Manage Passwords** interface of the **Vault Management** tab of the OmniPass Control Center, there is a pull-down selection box labeled, **Identity**. This field lets you choose which identity you are managing passwords for. When you select an identity here, only those password protected dialogs that are associated with that identity are shown. You can perform all the functions explained in “Password Management” on page 13.

Configuring OmniPass

This section gives an overview of both the Export/Import function and the OmniPass Control Center.

Exporting and Importing Users



YOU CANNOT IMPORT A USER INTO OMNIPASS IF THERE ALREADY IS A USER WITH THE SAME NAME ENROLLED IN OMNIPASS.

Using OmniPass Control Center, you can export and import users in and out of OmniPass. The export process backs up all remembered sites, credentials, and enrolled fingerprints for an OmniPass user. All OmniPass data for a user is backed up to a single encrypted database file. During the import process, the Windows login of the exported user is required. If the proper credentials cannot be supplied, the user profile will not be imported.



- YOU SHOULD PERIODICALLY EXPORT YOUR USER PROFILE AND STORE IT IN A SAFE PLACE. IF ANYTHING HAPPENS TO YOUR SYSTEM, YOU CAN IMPORT YOUR OMNIPASS PROFILE TO A NEW SYSTEM AND HAVE ALL YOUR REMEMBERED SETTINGS AND FINGERPRINTS INSTANTLY.
- YOU DON'T FORGET THE WINDOWS LOGIN CREDENTIALS WHEN EXPORTING. WHEN YOU EXAMINE THE IMPORTATION, YOU ARE PROMPTED FOR AUTHENTICATION. THE CREDENTIALS THAT WILL ALLOW A USER PROFILE TO BE IMPORTED ARE THE WINDOWS LOGIN CREDENTIALS OF THE EXPORTED USER. THEY ARE THE CREDENTIALS THAT HAD TO BE SUBMITTED WHEN THE USER PROFILE WAS EXPORTED. YOU WILL NEED USER NAME, PASSWORD, AND DOMAIN.

Exporting an OmniPass User Profile

To export a user, open the OmniPass Control Center, and click **Import/Export User** under **Manage Users**.

Click **Exports an OmniPass user profile**. OmniPass will prompt you to authenticate. Upon successfully authentication, you must name the OmniPass user profile and decide where to save it. An .opi file is generated, and you should store a copy of it in a safe place.

This .opi file contains all your user specific OmniPass data, and it is both encrypted and password protected. This user profile does NOT contain any of your encrypted data files.

Importing an OmniPass User Profile

To import an OmniPass user open the OmniPass Control Center, and click **Import/Export User** under **Manage Users**. Click **Imports** a new user into OmniPass and then select **OmniPass Import/Export File (*.opi)** and click **Next**. OmniPass will then prompt you to browse for the file you had previously exported (.opi file). When you select the .opi file for importation, OmniPass will prompt you for authentication. The credentials that will allow a user profile to be imported are the Windows login credentials of the exported user. They are the credentials that had to be submitted when the user

profile was exported. You will need User Name, Password, and Domain. If you don't remember the value for Domain, in a PC or SOHO environment Domain should be your computer name.

OmniPass will notify you if the user was successfully imported.

Things to Know Regarding Import/Export

- Assume you export a local Windows User profile from OmniPass. You want to import that profile to another machine that has OmniPass. Before you can import the profile, a Windows user with the same login credentials must be created on the machine importing the profile.

Example: I have a Windows user with the username "Tom" and the password "Sunshine" on my system. I have enrolled Tom into OmniPass and remembered passwords. I want to take all my passwords to new system. I export Tom's OmniPass user profile. I go to my new system and using the Control Panel I create a user with the username "Tom" and the password "Sunshine". I can now successfully import the OmniPass user data to the new system.

- If you export an OmniPass-only user, you can import that user to any computer running OmniPass, provided that a user with that name is not already enrolled in OmniPass.
- If you attempt to import a user profile who has the same name as a user already enrolled in OmniPass, the OmniPass import function will fail.

OmniPass Control Center

This section will serve to explain functions within the OmniPass Control Center that weren't explained earlier.

You can access the OmniPass Control Center any of three ways:

- Double-click the golden OmniPass key shaped icon in the Windows taskbar (typically in the lower-right corner of the desktop)
- Click the **Start** button; select the **Programs** group; select the **Softex** program group; and click the **OmniPass Control Center** selection.

- Open the Windows **Control Panel** (accessible via [Start] > **Settings > Control Panel**) and double-click the **Softex OmniPass** icon.

User Management

The User Management tab has two major interfaces: **Add/Remove User** and **Import/Export User**. Import/Export User functionality is documented in “Exporting and Importing Users” on page 15. Add/Remove User functionality is straightforward.

If you click **Adds a new user to OmniPass** you will start the OmniPass Enrollment Wizard. The Enrollment Wizard is documented in “User Enrollment” on page 6.

If you click **Removes a user from OmniPass**, OmniPass will prompt you to authenticate. Authenticate with the credentials (or enrolled fingerprint) of the user you wish to remove. OmniPass will prompt you to confirm user removal. Click **OK** to complete user removal.



REMOVING A USER WILL AUTOMATICALLY DESTROY ALL OMNI PASS DATA ASSOCIATED WITH THAT USER. ALL IDENTITIES AND CREDENTIALS ASSOCIATED WITH THE USER WILL BE LOST.

IF YOU'RE SURE YOU WANT TO REMOVE THE USER, WE RECOMMEND YOU EXPORT THE USER PROFILE.

User Settings

The User Settings tab has four interfaces: **Audio Settings**, **Taskbar Tips**, and **Enrollment**. User settings allow users to customize OmniPass to suit their individual preferences. Under **User Settings (Audio Settings and Taskbar Tips)** you can set how OmniPass notifies the user of OmniPass events (e.g., successful login, access denied, etc.). The details of each setting under the **Audio Settings** and **Taskbar Tips** interfaces are self-explanatory.

The **Enrollment** interface allows you to enroll fingerprints. For the procedure to enroll and authentication device refer to *Chapter 2.3*. To enroll additional fingerprints, click **Enroll Authentication Device**, and authenticate with OmniPass. Select the fingerprint

recognition device in the **Select Authentication Device** screen (it should already be marked by a green check if you have a finger enrolled) and click **Next**.

System Settings

The OmniPass **Startup Options** interface can be found in the System Settings tab. With these options you can specify how your OmniPass Logon is tied to your Windows Logon.

The first option, **Automatically log on to OmniPass as the current user**, will do just as it says; during Windows login, you will be logged on to OmniPass using your Windows login credentials. If the user logging into Windows was never enrolled into OmniPass, upon login no one will be logged on to OmniPass. This setting is appropriate for an office setting or any setting where users must enter a username and password to log into a computer. This is the default setting.

With the second option, **Manually log on to OmniPass at startup**, OmniPass will prompt you to login once you have logged on to Windows.

With the third option, **Do not log on to OmniPass at startup**, OmniPass will not prompt for a user to be logged on.

You can manually log on to OmniPass by right-clicking the OmniPass taskbar icon and clicking **Log in User** from the right-click menu.

Troubleshooting

You cannot use OmniPass to create Windows users. You must first create the Windows user, and you will need administrative privileges to do that. Once the Windows user is created, you can add that user to OmniPass using the same username and password

Cannot add Windows users to OmniPass

If you experience difficulties adding a Windows user to OmniPass, you may need to adjust your local security settings. You can do this by going to **Start, Control Panel, Administrative Tools, and Local Security Settings**. Expand **Local Policies**, expand **Security**

Options, and double-click **Network Access: Sharing and Security Model for Local Accounts**. The correct setting should be *Classic - Local Users Authenticate as Themselves*.

Cannot add a User with a Blank Password to OmniPas

If you experience difficulties adding a user with a blank password to OmniPass, you may need to adjust your local security settings. First attempt the procedure explained in the *Cannot add Windows user to OmniPass* section. If the difficulties persist, then try the following procedure.

Click **Start, Control Panel, Administrative Tools, and Local Security Settings**. Expand **Local Policies**, expand **Security Options**, and double-click **Accounts: Limit local account use of blank passwords to console login only**. This setting should be set to Disabled.

Dialog appears after OmniPass authentication during Windows Logon

After installing OmniPass on your system, you can choose to logon to Windows using OmniPass. You authenticate with OmniPass (via master password, or an enrolled security device) and OmniPass logs you into Windows. You may, during this OmniPass authentication, see a **Login Error** dialog box.

This dialog box occurs when OmniPass was unable to log you into Windows with the credentials supplied (username and password). This could happen for any of the following reasons:

- Your Windows password has changed
- Your Windows account has been disabled

If you are having difficulties due to the first reason, you will need to update OmniPass with your changed Windows account password. Click **Update Password** and you will be prompted with a dialog to reconfirm your password.

Enter the new password to your Windows user account and click **OK**. If the error persists, then it is unlikely the problem is due to your Windows user account password changing.

Restoring Your System Image and Software

Depending upon which operating system you are using (Windows 7 or Windows 8), there are slight differences in the restoration procedures. The following procedure is for Windows 7 systems. Equivalent information for Windows 8 configurations can be found at "Windows 8: Restoring Your System Image and Software" on page 33.

Windows 7: Restoring Your System Image and Software (Windows 7)

It is very important that you create DVD copies of your Factory Image and Bootable Disc (along with other applicable media such as application discs) before beginning to use your system. To do so, follow the instructions in the "Saving Your Factory Image" and "Creating Backup Images of Factory Image and Discs" sections of this chapter.

Saving and Recovering Your Factory and System Images with My Recovery

Along with instructions on saving your Factory Image, this document outlines several other important procedures, such as making a system image, restoring your Factory Image and system images, managing your images, and restoring the partitions on a hard drive.



- IN ORDER TO INSTALL APPLICATIONS, MAKE COPIES OF FACTORY AND SYSTEM IMAGES, AND BURN APPLICATION MEDIA AND BOOTABLE DISCS **YOU MUST HAVE AN INTERNAL OR EXTERNALLY CONNECTED WRITABLE DVD DRIVE.**
- IT IS EXTREMELY IMPORTANT THAT YOU COPY YOUR FACTORY IMAGE TO REMOVABLE MEDIA (E.G., DVD DISCS). FAILURE TO DO SO COULD RESULT IN AN INABILITY TO RESTORE THE IMAGE AT A FUTURE DATE.
- WE RECOMMEND THAT YOU USE DVD-R OR DVD+R DISCS FOR YOUR BACKUP, BUT SUPPORTED MEDIA* FOR IMAGE BACKUPS INCLUDE:
FOR FACTORY IMAGE, APPLICATION DATA, AND BOOTABLE DISC: DVD-R/+R.
FOR USER-CREATED BACKUP IMAGE: DVD-R/+R, DVD-RW/+RW, DVD-DL.

* DEPENDING UPON YOUR OPTICAL DRIVE AND MEDIA FORMAT USED, SOME MEDIA TYPES MAY BE INCOMPATIBLE FOR CREATING IMAGE BACKUPS.



DUE TO CERTAIN LICENSING REQUIREMENTS, SOME THIRD-PARTY APPLICATIONS WILL NEED TO BE INSTALLED SEPARATELY USING THE APPLICATION MEDIA BUNDLED WITH YOUR SYSTEM.

Saving your Factory Image

When you purchased your new system, a copy of the pre-installed Factory Image was loaded into a hidden partition on your hard disk drive. Having a copy of the original Factory Image available to you means that in the event of system failure, you will be able to restore it to its original state.

To make a copy of the Factory Image to DVD discs, you will need several blank discs (DVD-R or DVD+R discs are recommended) to create the copy. After creating the copy, be sure to label the discs and keep them in a safe place to ensure they do not get damaged.

Creating Backup Images of Factory Image and Discs



- SOME CONFIGURATIONS OF CERTAIN STYLISTIC MODELS DO NOT HAVE APPLICATIONS LOADED ON THE HARD DRIVE; RATHER, THEY ARE AVAILABLE AT THE FUJITSU SUPPORT SITE FOR DOWNLOAD. PLEASE TAKE THAT INTO ACCOUNT WHEN READING THE FOLLOWING PROCEDURES.
- ALL USER-CREATED DATA WILL BE DELETED FROM YOUR SYSTEM WHEN THE FACTORY IMAGE IS RESTORED.

- 1 On your desktop, there is a **[My Recovery]** icon that allows you to make a backup image of the Factory image for later use. Launch My Recovery from the desktop icon
- 2 Select [Manage/Create]-> [Factory Image].
The Backup Images menu displays a list from which you can choose which type of disc you want to burn: Bootable Disc, Applications Disc, or Recovery Disc.
- 3 Select *Recovery Disc*, then click [Make DVD].
- 4 Confirm that the # box has "2" (Note that in some cases the box may display a larger number for the factory image, depending upon its size.)
- 5 The message "Recovery Disc #1 will be created. Enter your comments and the number of media on the DVD". Click [YES] to burn the Factory Image.
- 6 While the copy is being made, a "Writing to the media screen displays a progress bar. When the copy is complete, a dialog will appear informing you of the successful completion of the backup.
- 7 Repeat the process for the remaining images on disc (Bootable Disc and Applications Disc). The number of images available may vary depending on your system model; some models do not have the applications loaded on the hard drive.

Recovering Your Factory Image

In the event you need to restore your original Factory Image, perform the following steps. Note that there may be some third-party applications that need to be installed from the application media bundled with your system.



ALL USER-CREATED DATA WILL BE DELETED FROM YOUR SYSTEM WHEN THE FACTORY IMAGE IS RESTORED.

In order to recover your Factory Image, perform the steps outlined in See "Running Recovery and Utility from hard disk" on page 27.

Creating a System Backup Image

Optional Step: Launch the Fujitsu Bonus Apps utility from your desktop, and select the components you wish to install.

User-Configured System Backups: On your desktop, there is a **[MyRecovery]** icon that allows you to make backups of your current system image either to another location on your hard drive or on removable media. A system image is the configuration of your C: drive at a particular point of time. You may want to make system image backups occasionally in order to have points to which you can return without having to go all the way back to the Factory Image.



By default, system images are saved in the MyRecovery folder (either on D:\ or external hard drive, depending on your hardware type).

- 1 Click the [MyRecovery] icon on your desktop. The My Recovery screen will appear (See Figure 2). Note that the screen illustrated may vary, depending upon your system configuration.)
- 2 Click the [Backup] button on the MyRecovery screen.

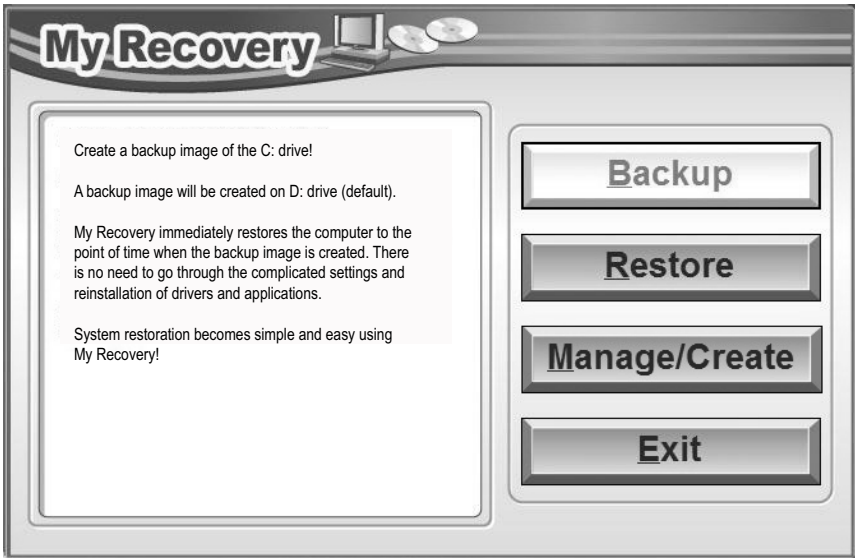


Figure 2. MyRecovery screen

- 3 On the next screen that appears, you can enter up to 200 characters of information about the backup file. This information will help you to identify the image at a later date.
- 4 Click the [Next] button and the system will reboot.
- 5 After rebooting, the "Create the image" window appears, in which you can either click [Create the image on D drive] or [Select the drive] if you want to save to an external hard disk drive. (Note that the [Create the image on D drive] may not be available on all configurations.)
- 6 An image appears showing you graphically how the image will be stored. Click the [Next] button.
- 7 Click [Execute] to start the backup.

Managing Your Backup Images

With the MyRecovery tool you can also make copies of backup images, archive them on DVD, or delete them from your hard drive.

- 1 To begin, double-click the [MyRecovery] icon on your desktop.
- 2 Click the [Manage/Create] button in the MyRecovery window.
- 3 When the MyRecovery Manager window appears, click [Manage Backup Images].
- 4 In the next window, a list of your backup images appears. Below the list are three buttons allowing you to [Make DVD], [Copy], or [Delete] your backup images.
- 5 Select an image title from the list, then click the action button you would like to perform.
- 6 Note that you need to have an external disk drive connected for the [Copy] button to be enabled. If you elect to copy the image, you will be prompted to enter the destination. If you are ready to copy, click [OK] to proceed. A progress screen appears while the backup copy is being made.
- 7 Note that if you copy an image to an external hard drive, both the original and the copy will appear in the [Backup Images] window with identical names, dates, and file sizes, but with the different drive letter to distinguish them. Before you select [Make DVD], make sure you have a recordable DVD drive connected and blank DVDs available.

Using the Recovery and Utility Tools

The Recovery and Utility tools consist of a variety of tools that will help you recover your Factory Image, recover system images, and delete the data from your hard disk.

Methods for accessing the utilities

Recovery and Utility Tools are preinstalled in a hidden partition by the factory, or they can be accessed by using the bootable disc. Please note that you can delete Recovery and Utility tools from your hard disk drive if you modify the partitions. In this case you will not be able to use the hidden partition for booting to Recovery and Utility Tools, but you will still be able to boot from the Bootable Disc.

Determining whether Recovery and Utility is pre-loaded

- 1 Turn on or reboot your system. When the Fujitsu logo appears, press [F12] key. The Boot Menu will appear.
- 2 Press the Tab key to select Application menu.
- 3 Check whether the <Recovery and Utility> option is present. If it is not present, it means that the utility must be used from the disc. Proceed to "Running Recovery and Utility from the Bootable Disc" if <Recovery and Utility> is unavailable.

Running Recovery and Utility from hard disk

- 1 Turn on or reboot your system. When the Fujitsu logo appears, press [F12] key. The Boot Menu will appear.
- 2 Press the Tab key to select Application menu.
- 3 Cursor down to <Recovery and Utility> and press the [Enter] key.
- 4 While the files are being loaded from the disc, a progress bar will appear at the bottom of the screen.
- 5 When the System Recovery Options dialog opens, select a new keyboard layout, if necessary, then click [Next].
- 6 When the Operating System dialog appears, select "Use recovery tools...", then click [Next].
- 7 If necessary, enter your password, then click [OK].
- 8 When System Recovery Options window appears, click on Recovery and Utility.
- 9 The Recovery and Utility screen appears on the screen with three tabs: Diagnostics, Recovery and Utility. Please note that Diagnostics tab is not supported on certain LIFEBOOK/STYLISTIC models when running Recovery and Utility from the hard disk. In order to restore the operating system, please use the middle icon "Restoring the Factory Image (only C:\drive)" under the Recovery tab.

Running Recovery and Utility from the Bootable disc

To verify/change the boot-up priority (rather than booting-up from the hard drive or an external floppy disk drive), perform the following steps:

- 1 Power on your system. When the Fujitsu logo appears on the screen, press the [F12] key to get to the Boot Menu.
- 2 Highlight the **CD/DVD** option.
- 3 Insert the bootable disc into the drive tray.
- 4 Click [OK]. While the files are being loaded from the disc, a progress bar will appear at the bottom of the screen.
- 5 When the System Recovery Options dialog opens, select a new keyboard layout, if necessary, then click [Next].
- 6 When the Operating System dialog appears, click [Next].
- 7 If necessary, enter your password, then click [OK].
- 8 When System Recovery Options window appears, click on Recovery and Utility.
- 9 When the Recovery and Utility screen appears, three tabs will be present: Diagnostics, Recovery, and Utility.

Recovery and Utility tabs

Diagnostics tab: The Diagnostics tool is designed for use by IT professionals. It is not likely you will need to use this tool. When you select devices from the Diagnosis window then click [Execute], several tests are performed on the selected components.

Recovery tab: The Recovery tab contains three tools: Recovering User-Configured System Backups, Restoring the Factory Image (only C: drive), and Restoring the Factory Image (full hard drive recovery). You can use these tools to restore the Factory Image from the hidden partition, restore backup image(s) created by you or images stored on DVD discs, and perform a full hard drive recovery. Please refer to instructions above for details on how to create Factory Image Recovery DVDs, user backup DVDs and system image backup.

Utility tab: The Utility tab contains three tools: Hard Disk Data Delete, Restore Recovery and Utility, and Windows Complete PC Restore.

- The **Hard Disk Data Delete** utility is used to delete all data on the hard disk and prevent the data from being reused. **NOTE: Do not use the Hard Disk Data Delete utility unless you are absolutely certain that you want to erase your entire hard disk, including all partitions.**
- **Restore Recovery and Utility** allows you to restore the first hidden partition.
- **Windows Complete PC Restore** utility allows you to restore an image created with Windows Backup and Restore Center. Complete PC Restore will overwrite the data on your hard disk drive.

Using Windows 7 Recovery DVD on Windows 8 64-bit system (downgrade option).

When using the Windows 7 Recovery DVD on a system that was supplied with Windows 8 x64 pre-installed, you should first deactivate **Secure Boot** and activate **CSM** and **Fast Boot** using the following procedure:

- 1 To access the BIOS Setup, press the [F2] key after switching on the system.
- 2 Use right/left arrow keys to switch to the "Security" page.
NOTE: If your system doesn't have Supervisor Password, you cannot change the **Secure Boot Configurations**. In this case you need to select **Set Supervisor Password** and set the password.
- 3 Use up/down arrow keys to select **Secure Boot Configurations**.
- 4 Select **Secure Boot** or **Secure Boot Option** and using [Enter] key set it to [Disabled], then the use [ESC] key to exit **Secure Boot Configurations**.
- 5 Use arrow keys to switch to the "Advanced" page.
- 6 Select **CSM** and set it to [Enabled].
- 7 Select the **Fast Boot** and set it to [Disabled].

- 8 Use the arrow keys to switch to the "Exit" page.
- 9 Exit the BIOS Setup via **Exit Saving Changes**.

You can then start the system from Windows 7 Recovery DVD and install Windows 7 on the system.

Recovering your Factory Image using Recovery and Utility (for new hard drive or non-bootable hard drive)

If you have installed a new hard drive or your hard drive is not bootable, perform the following steps. Note that first you will need to create new partitions on the hard drive, then restore the Factory Image:

- 1 Power on your system. When the Fujitsu logo appears on the screen, press the [F12] key.
- 2 Highlight the **CD/DVD** option.
- 3 Insert the bootable disc in your DVD drive, then click [OK].
- 4 When System Recovery Options window appears, click on <Recovery and Utility>.
- 5 When the System Recovery Options dialog opens, select a new keyboard layout, if necessary, then click [Next].
- 6 When the Operating System dialog appears, click [Next].
- 7 If necessary, enter your password, then click [OK].
- 8 When System Recovery Options window appears, click on Recovery and Utility.
- 9 Click the Recovery tab in the Recovery and Utility window, then click *Restoring the Factory Image* icon.
- 10 Click [Execute].
- 11 Read the precautions, then select "I Agree".
- 12 Click [Next], then click [Execute] to start the recovery process.
- 13 "1. Recovery Disc Check" will be in bold and the rest will be grayed out. Follow the instructions and "Insert the Recovery Disc #1". In some cases, you may be prompted to "Insert the Recovery Disc #2", depending upon the size of the Recovery Image

- 14 Click [Next] to begin the check. Click [Next] again when the check is complete.
- 15 "2. Initializing hard disk drive" will be in bold with the message "Please insert the Bootable Disc into your optical drive". Insert the bootable disc. Click [Next] to proceed. A dialog box appears, with a checking disc message.
- 16 "Warning All DATA on the Hard Disk will be completely erased!!!" will appear. Select [OK]. The partition creation process will begin.
- 17 "3. Restoring Factory Image to hidden partition" will be in bold with the message "Please insert the Recovery Disk#1 into the optical drive". Click [Next] to proceed.

After completion, the tool will automatically go back to "3. Restoring Factory Image to hidden partition" but will include the note "Please insert your Third Party Applications Disc or CyberLink DVD, then click [OK]. After installation of each disc, insert the next and continue until all have been installed. If you don't have your Third Party Applications Disc and/or CyberLink DVD, or you have already inserted these discs, please click [Skip] to continue. NOTE: In some cases (products without an optical drive) you will not have a CyberLink DVD".

At this point, you can either:

- Insert Application Disc(s) to restore back to hidden partition, or,
 - Click [Skip] to skip restoring Application disc(s) and continue with restore.
- 18 If you select to insert Application Disc, after copying of application disc(s) to hidden partition is completed, the message will appear again. Repeat inserting application disc(s) until all discs have been copied, then click [Skip] to continue with Restore.

- 19 After clicking [Skip], a confirmation message will appear "If you want to skip copying or you have finished copying, click [OK]. Click [Cancel] to go back to Restoring Factory Image to hidden partition."
- 20 Click [OK] and Restoring Factory Image will begin.
- 21 When restoration is complete, you will see the message "Restoration has been completed. Click [OK] to reboot the computer." Click [OK].

Downloading Driver Updates

The Fujitsu Software Download Manager (FSDM) utility is available to allow you to download the latest drivers, utilities, and applications from the Fujitsu Support site. If you have a Windows 8 or Windows 7 operating system, you will need to go to the Support Site (<http://support.fujitsupc.com/CS/Portal/support.do?srch=DOWNLOADS>).

Windows 8: Restoring Your System Image and Software

Equivalent information for Windows 7 configurations can be found at "Restoring Your System Image and Software" on page 18.

It is very important that you create DVD copies of your Factory Image and Bootable Disc before beginning to use your system. To do so, follow the instructions in the "Saving Your Factory Image" and "Creating Backup Images of Factory Image and Discs" sections of this chapter.

Saving and Recovering Your Factory and System Images

Along with instructions on saving your Factory Image, this document outlines several other important procedures, such as making a system image, restoring your Factory Image and system images, managing your images, and restoring the partitions on a hard drive.

- IN ORDER TO MAKE COPIES OF FACTORY AND SYSTEM IMAGES AND BURN BOOTABLE DISCS **YOU MUST HAVE AN INTERNAL OR EXTERNALLY CONNECTED WRITABLE DVD DRIVE.**
- IT IS EXTREMELY IMPORTANT THAT YOU COPY YOUR FACTORY IMAGE TO REMOVABLE MEDIA (E.G., DVD DISCS). FAILURE TO DO SO COULD RESULT IN AN INABILITY TO RESTORE THE IMAGE AT A FUTURE DATE.
- WE RECOMMEND THAT YOU USE DVD-R OR DVD+R DISCS FOR YOUR BACKUP, BUT SUPPORTED MEDIA* FOR IMAGE BACKUPS INCLUDE:
FOR FACTORY IMAGE, APPLICATION DATA, AND BOOTABLE DISC: DVD-R/+R.
FOR USER-CREATED BACKUP IMAGE: DVD-R/+R, DVD-RW/+RW, DVD-DL.



* DEPENDING UPON YOUR OPTICAL DRIVE AND MEDIA FORMAT USED, SOME MEDIA TYPES MAY BE INCOMPATIBLE FOR CREATING IMAGE BACKUPS.



DUE TO CERTAIN LICENSING REQUIREMENTS, SOME THIRD-PARTY APPLICATIONS WILL NEED TO BE INSTALLED SEPARATELY.

Saving your Factory Image

When you purchased your new system, a copy of the pre-installed Factory Image was loaded into a hidden partition on your hard disk drive. Having a copy of the original Factory Image available to you means that in the event of system failure, you will be able to restore it to its original state.

To make a copy of the Factory Image to DVD discs, you will need four or five blank discs (DVD-R or DVD+R discs are recommended) to create the copy. After creating the copy, be sure to label the discs and keep them in a safe place to ensure they do not get damaged.

Creating Backup Images of Factory Image and Bootable Disc

Using the [Manage/Change] button, you can create backup images of the Factory Image and/or Bootable Disc.



ALL USER-CREATED DATA WILL BE DELETED FROM YOUR SYSTEM WHEN THE FACTORY IMAGE IS RESTORED.

- 1 Launch **System Backup and Restore** from the desktop icon and click [Yes] on the **User Account Control** dialog.
- 2 Click [Next] on the **Backup Your Data** screen.
- 3 Select the [Create/Manage] tab, then click [Make Recovery Disc set] to burn your factory image to DVD.
- 4 On "Step 1: Please select a media type for Recovery Disc" screen select **Media Type** from the drop down box, then click [Next]. (Note: This screen shows the number of discs required for backup.)
- 5 On "Step 2: Confirm your Recovery Disc" both the Bootable Disc and Recovery disks are selected by default under "List of Recovery Discs". When the backup is created for the first time, these options should stay selected. Click [Next].

6 Click [OK] on the “Attention about media” confirmation screen.



DURING THE FOLLOWING PROCESS, YOU SHOULD CONNECT AN AC ADAPTER SINCE THE PROCESS MAY TAKE A LONG TIME.

7 Click [Start] on “Step 3: Making Recovery Disc” .

8 The process will prompt you to insert your discs.

9 Once the process completes successfully, click [Finish] on “Step 4: Making Recovery Disc process has been completed” screen.

Recovering Your Factory Image

In the event you need to restore your original Factory Image, perform the following steps.



ALL USER-CREATED DATA WILL BE DELETED FROM YOUR SYSTEM WHEN THE FACTORY IMAGE IS RESTORED.

In order to recover your Factory Image, perform the steps outlined in See “Running Recovery and Utility from hard disk” on page 39.

Backing Up a System Image

Optional Step: Launch the Fujitsu Bonus Apps utility from your desktop, and select the components you wish to install.

User-Configured System Backups: On your desktop, there is a **[System Backup and Restore]** icon that allows you to make backups of your current system image either to another location on your hard drive or on removable media. A system image is the configuration of your C: drive at a particular point of time. You may want to make system image backups occasionally in order to have points to which you can return without having to go all the way back to the Factory Image.



By default, system images are saved in the D: drive in the System Backup and Restore folder. You can also elect to save the image to an external hard drive.

- 1 Launch **System Backup and Restore** from the desktop icon and click [Yes] on **User Account Control** dialog
- 2 Click [Next] on **Backup Your Data** screen
- 3 Select the [Backup] tab on **System Backup and Restore** screen.
- 4 Click the [Backup User System] button.
- 5 On the "Step 1: Select a backup destination" screen select your destination drive. By default the Destination is set to D: drive. You can also select the [Other drive] option to back up to an external drive. Select whether you would like the system to [Shutdown] or [Restart] after the process is completed.
- 6 On the "Step 2: Name your backup images" screen that appears, you can enter up to 300 characters of information about the backup file. This information will help you to identify the image at a later date.
- 7 On "Step 3: Backup the entire C: drive image" verify your backup settings and click [Next].
- 8 Click [OK] on "Step 4: Please confirm the following before starting your backup" to restart you computer and begin backup.
- 9 Follow the instructions on the screen. If you chose the "Other drive" option, connect the drive to the notebook and click [Refresh] for the drive to appear for you to select.
- 10 After backup completes and the system restarts, "Step 5: Backup Completed. Confirm the results" screen should appear on your desktop confirming that backup image has been created successfully. Click [Close] to close System Backup and Restore dialog.
- 11 Click [OK] to quit the System Backup and Restore utility.

Managing Your Backup Images

With the System Backup and Restore tool you can also make copies of backup images, archive them on DVD, or delete them from your hard drive.

- 1 Launch **System Backup and Restore** from the desktop icon and click [Yes] on **User Account Control** dialog.
- 2 Click [Next] on the **Backup Your Data** screen.
- 3 Select the [Create/Manage] tab and click on [Manage User System Backup].
- 4 In the next window there are three options allowing you to [Copy], [Delete], or [Add Comment] to your images. Click the action button you would like to perform:

Selecting [Copy] option (Note that you must have an external disk drive connected for the [Copy] button to work, otherwise an attempt to copy will result in an error.)

- a. On "Step 1: Select a backup file that you wish to copy", select the location of a backup file. A list of backup files will appear. Select the file you wish to copy from the list and click [Next].
- b. On "Step 2: Select a drive to copy a backup file", select the destination drive and click [Next].
- c. On "Step 3: Start to copy the following information" confirm the information and click [Start].
- d. "Step 4: Processing backup data copying" screen displays the progress bar.
- e. Click [Finish] on "Step 5: Copy completed. Confirm the results" screen.

Selecting "Delete" option

- a. On "Step 1: Please select your target data" screen select location of a backup file. A list of backup files will

appear. Select the file(s) you wish to delete and click [Next].

- b. Click [Start] on “Step 2: Delete backup data” screen.
- c. Click [OK] to the confirmation message.
- d. Click [Finish] on “Step 4: Delete process has been completed” screen.

Selecting “Add Comment” option

a. On the “Step 1: Select target data” screen select location of a backup file. A list of backup files will appear.

Select the file you wish to add comments to and click [Next].

b. On the “Step 2: Add comment” screen, type in a maximum of 300 characters in “Comment” text area and click [Add].

c. Click [Finish] on the “Step 3: Adding comment has been completed” screen.

Restoring your backup images

- 1 Launch **System Backup and Restore** from the desktop icon and click [Yes] on the **User Account Control** dialog
- 2 Click [Next] on the **Backup Your Data** screen
- 3 Select the Restore tab and click on “Restore User System Backup”
- 4 On “Step 1: Please confirm the following before starting restore process”, confirm information and click [OK]. The system will restart to begin restoring your backup.
- 5 After the system restarts, the “Explanation about Restore User System Backup” screen is shown. Once you read the EULA, select [Agree] choice and click [Next].
- 6 Select an image to restore from the Backup data list and click [Next]

- 7 Click [Start] on "Confirm before restoration" screen
- 8 Once restoration finishes, click [Close] in "Finished restoration" screen, the computer will restart to Windows.

Using the Recovery and Utility Tools

The Recovery and Utility tools consist of a variety of tools that will help you recover your Factory Image, recover system images, and delete the data from your hard disk.

Methods for accessing the utilities

Recovery and Utility Tools are preinstalled in a hidden partition by the factory, or they can be accessed by using the bootable disc. Please note that you can delete Recovery and Utility tools from your hard disk drive if you modify the partitions. In this case you will not be able to use the hidden partition for booting to Recovery and Utility Tools, but you will still be able to boot from the Bootable Disc.

Determining whether Recovery and Utility is pre-loaded

- 1 Turn on or reboot your system. When the Fujitsu logo appears, press [F12] key.
- 2 From the Boot Menu that appears, check whether the <Recovery and Utility> option is present. If it is not present, it means that the utility must be used from the disc. Proceed to "Running Recovery and Utility from the Bootable Disc" if <Recovery and Utility> is unavailable.

Running Recovery and Utility from hard disk

- 1 Turn on or reboot your system. When the Fujitsu logo appears, press the [F12] key.
- 2 Cursor down to <Recovery and Utility> and press the [Enter] key.
- 3 Choose your Language (English or French).
- 4 Three tool options appear: Diagnostics, Recovery and Utility (Please see Recovery and Utility tools section below for instructions on how to use these tools).

Running Recovery and Utility from the Bootable disc

To verify/change the boot-up priority (rather than booting-up from the hard drive or an external floppy disk drive), perform the following steps:

- 1 Power on your system. When the Fujitsu logo appears on the screen, press the [F12] key.
- 2 Highlight the **CD/DVD** option from the Boot menu, then press [Enter].
- 3 Insert the bootable disc into the drive tray.
- 4 Click [OK].

NOTE: In the following step, the Fujitsu logo screen may appear on the display for a couple of minutes before the progress bar appears.

- 5 Select CD/DVD boot mode: UEFI Mode) and press [Enter]. While the files are being loaded from the disc, the Fujitsu logo screen will appear followed by a progress bar screen at the bottom of the screen.

Recovery and Utility tools

Diagnostics tool: The Diagnostics tool is designed for use by IT professionals. It is not likely you will need to use this tool. If you should need to use this tool, perform the following steps:

- 1 Press the "Diagnostics Tool" button to start the Diagnostics tool. A progress bar appears while the Diagnostics tool is starting up.
- 2 Read the note, then click [OK].
- 3 Choose one or more of the following options for diagnostics on the "Fujitsu Hardware Diagnostics Tool window": CPU, Memory, Display, Hard Disk, CD/DVD/BD, Floppy Disk, Keyboard, and Mouse. Click the [Option] button to specify how many times the tool should run diagnostics on each selected component. Press [Execute] to start the Diagnostics tool.

- 4 After the execution is completed, the selected components are circled in red to indicated that they have been diagnosed and the result dialog window is opened.
- 5 Click [End] to close the Diagnostics tool, then click [Yes] to confirm the end of diagnostics session.

Recovery tool: The Recovery tool contains three options. **User System Backups:** Recovering C: Drive from D: Drive or external storage device), **Restore C: Drive:** Restore factory image (only C: drive), and **Restore Full Hard Drive:** Restore factory image (full hard drive). You can use these tools to restore the Factory Image from the hidden partition, restore backup image(s) created by you or images stored on DVD discs, and perform a full hard drive recovery. Please refer to instructions above for details on how to create Factory Image Recovery DVDs, user backup DVDs and system image backup.

To recover from D: drive or external storage device:

- 1 Click [User System Backups]
- 2 The progress bar screen is followed by EULA screen. Click [Agree] to accept the EULA.
- 3 On "Select an image to restore" screen select the image to restore from the list of images and click [Next].
- 4 Click [Start] on the "Confirm before restoration" screen to begin the restoration process.
- 5 Once restoration finishes, click [Close] in the "Finished restoration" screen; the computer will restart to Windows.

To restore from the Factory Image (hidden partition):

- 1 Click [Restore C: drive].
- 2 The progress bar screen is followed by "Restore Factory Image (only C: drive) screen confirming that the Factory Image will be restored to the C: drive and D: drive data will remain. Click [Next].

- 3 Read the instruction screen and select [Agree], then [Next].
- 4 Click [OK] to the warning message to restore factory image to the C: drive.
- 5 When the progress bar screen, wait for the process to complete.
- 6 Click [Finish] when the process completes; the computer will restart to Windows.

To restore full hard drive:

Follow the steps in section “**Recovering your Factory Image using Recovery and Utility (for new hard drive or non-bootable hard drive)**”

Utility tool: The Utility tool contains two options: Hard Disk Data Delete and Partition Creation.

- The **Hard Disk Data Delete** utility is used to delete all data on the hard disk and prevent the data from being reused. **NOTE: Do not use the Hard Disk Data Delete utility unless you are absolutely certain that you want to erase your entire hard disk, including all partitions.**

To delete hard disk data:

- a. Click the [Hard Disk Data Delete] button
 - b. The progress bar appears, followed by the EULA screen.
 - c. Agree to the EULA and click [Next].
 - d. Choose the hard disk from which the data should be deleted in the list of hard disks and click [Next].
- The **Partition Creation** utility is used to change the C: and D: drive partition sizes. To run this utility:
 - a. Click the [Partition Creation] button.
 - b. A progress bar screen appears, followed by the EULA screen. Agree to the EULA.
 - c. On the **Recovery Tool - Partition Creation** screen move the slider to set disk size, then click [OK].
 - d. Click YES in the Partition Creation confirmation dialog.

Recovering your Factory Image using Recovery and Utility (for new hard drive or non-bootable hard drive)

If you have installed a new hard drive or your hard drive is not bootable, perform the following steps.

- 1 Power on your system. When the Fujitsu logo appears on the screen, press the [Enter] key.
- 2 Highlight the **CD/DVD** option from the Boot Menu and press [Enter].
- 3 Insert the bootable disc in your DVD drive, then click [OK].
- 4 Select CD/DVD boot mode: UEFI Mode and press [Enter]. While the files are being loaded from the disc, Fujitsu logo screen will appear followed by a progress bar screen at the bottom of the screen.
- 5 Choose your language ([English or French]).
- 6 Three tool options appear: Diagnostics, Recovery and Utility. Select [Recovery].
- 7 Select [Restore full hard drive].
- 8 Click [Next] to confirm full hard drive restoration. (All data on HDD will be deleted).
- 9 Agree to EULA by selecting [Agree] option and clicking [Next].
- 10 Click [Next] on the Recovery Disk Check screen to verify that bootable disk has been inserted into the optical drive.
- 11 The Checking for Recovery Disk screen appears followed by the prompt to insert the first disk. Click [OK] to continue. Repeat this step for all disks. After all recovery disks have been checked and the check has been completed, click [Next]
- 12 Reinsert the first recovery disk and click [Next]
- 13 Click [OK] when you receive the final warning informing you that all data on drives C: and D: will be lost. This starts the recovery process.
- 14 Follow the prompts to insert the next recovery disks and click [OK].

- 15 After the copying of the factory image to the HDD completes and the factory image is restored, follow the prompt to insert bootable disk.
- 16 After the restore process is complete, click [Finish] to restart the system. The computer will restart automatically and then go through the first boot process.

Changing BIOS settings between Windows 8 32-bit and Windows 8 64-bit

In order to install a 32-bit version of Windows 8 and to be able to boot from 32-bit media, you must disable the Security Boot option in the BIOS settings. Switching back to the 64-bit version of Windows 8 from the 32-bit version of Windows 8 will require you to revert the above change and to re-enable Secure Boot. If you do not re-enable Secure Boot, the following product functionalities will not be enabled as it relies on native UEFI (Unified Extensible Firmware Interface) mode boot:

- 1 Secure Boot
- 2 Seamless Boot experience
- 3 Network unlock for Bitlocker for systems with a Trusted Platform Module (TPM)
- 4 eDrive support

WARNING: Reverting back to UEFI mode will require a hard drive reformat. All data and personal settings will be lost. It is highly recommended that you back up your data before you revert back to UEFI mode.

For further information please refer to our support pages: <http://www.fujitsu.com/us/support/>

- 1 To access the BIOS Setup, press the [F2] key after switching the system on.

- 2 Use the right/left arrow keys to switch to the Security page.
* If your system doesn't have Supervisor Password, you cannot change the Secure Boot Configurations.
In this case you need to select **Set Supervisor Password** and set the password.
- 3 Use the up/down arrow keys to select **Secure Boot Configurations**.
- 4 Select **Secure Boot** or **Secure Boot Option** and using the [Enter] key set it to [Disabled] for 32-bit and to [Enabled] for 64-bit, then use the [ESC] key to exit Secure Boot Configurations.
- 5 Use the arrow keys to switch to the Advanced page.
- 6 Select **CSM** and set it to [Enabled] for 32-bit and [Disabled] for 64-bit.
- 7 Select the **Fast Boot** and set it to [Enable] for 32-bit and [Disabled] for 64-bit.
- 8 Use the arrow keys to switch to the Exit page.
- 9 Exit the BIOS Setup via **Exit Saving Changes**.

Downloading Driver Updates

The Fujitsu Software Download Manager (FSDM) utility is available to allow you to download the latest drivers, utilities, and applications from the Fujitsu Support site. If you have a Windows 8 or Windows 7 operating system, you will need to go to the Support Site (<http://support.fujitsupc.com/CS/Portal/support.do?srch=DOWNLOADS>).

WLAN User's Guide



FCC Regulatory Information

Please note the following regulatory information related to the optional wireless LAN device.

Regulatory Notes and Statements

Wireless LAN, Health and Authorization for use

Radio frequency electromagnetic energy is emitted from Wireless LAN devices. The energy levels of these emissions, however, are far much less than the electromagnetic energy emissions from wireless devices such as mobile phones. Wireless LAN devices are safe for use by consumers because they operate within the guidelines found in radio frequency safety standards and recommendations. The use of Wireless LAN devices may be restricted in some situations or environments, such as:

- On board an airplane, or
- In an explosive environment, or
- In situations where the interference risk to other devices or services is perceived or identified as harmful.

In cases in which the policy regarding use of Wireless LAN devices in specific environments is not clear (e.g., airports, hospitals, chemical/oil/gas industrial plants, private buildings), obtain authorization to use these devices prior to operating the equipment.

Regulatory Information/Disclaimers

Installation and use of this Wireless LAN device must be in strict accordance with the instructions included in the user documentation provided with the product. Any changes or modifications made to this device that are not expressly approved by the manufacturer may void the user's authority to operate the equipment. The manufacturer is not responsible for any radio or television interference caused by unauthorized modification of this device, or the substitution or attachment of connecting cables and equipment other than those specified by the manufacturer. It is the responsibility of the user to correct any interference caused by such unauthorized modification, substitution or attachment. The manufacturer and its authorized resellers or distributors will assume no liability for any damage or violation of government regulations arising from failure to comply with these guidelines. This device must not be co-located or operated in conjunction with any other antenna or transmitter.

For IEEE 802.11a Wireless LAN: For operation within 5.15~5.25 GHz frequency range, it is restricted to indoor environments, and the antenna of this device must be integral.

Federal Communications Commission statement

This device complies with Part 15 of FCC Rules and Industry Canada License-exempt RSS Standard.

Operation is subject to the following two conditions: (1) This device may not cause interference, and, (2) This device must accept any interference, including interference that may cause undesired operation of this device.

FCC Interference Statement

This equipment has been tested and found to comply with the limits for a Class B digital device, pursuant to Part 15 of the FCC Rules. These limits are designed to provide reasonable protection against harmful interference in a residential installation. This equipment generates, uses, and can radiate radio frequency energy. If not installed and used in accordance with the instructions, it may cause harmful interference to radio communications. However, there is no guarantee that interference will not occur in a particular installation.

If this equipment does cause harmful interference to radio or television reception, which can be determined by turning the equipment off and on, the user is encouraged to try and correct the interference by one or more of the following measures:

- 1 Reorient or relocate the receiving antenna.
- 2 Increase the distance between the equipment and the receiver.
- 3 Connect the equipment to an outlet on a circuit different from the one the receiver is connected to.
- 4 Consult the dealer or an experienced radio/TV technician for help.

FCC Radio Frequency Exposure statement

The available scientific evidence does not show that any health problems are associated with using low power wireless devices. There is no proof, however, that these low power wireless devices are absolutely safe. Low power wireless devices emit low levels of radio frequency energy (RF) in the microwave range while being used. Whereas high levels of RF can produce health effects (by heating tissue), exposure to low-level RF that does not produce heating effects causes no known adverse health effects. Many studies of low-level RF exposure have not found any biological effects. Some studies have suggested that some biological effects might occur, but such findings have not been confirmed by additional research. The wireless LAN radio device with antennas located on top edge of the LCD screen has been tested and found to comply with FCC radiation exposure limits set forth for an uncontrolled equipment and meets the FCC radio

frequency (RF) Exposure Guidelines in Supplement C to OET65.

Export restrictions

This product or software contains encryption code which may not be exported or transferred from the US or Canada without an approved US Department of Commerce export license. This device complies with Part 15 of FCC Rules., as well as ICES 003 B / NMB 003 B. Operation is subject to the following two conditions: (1) this device may not cause harmful interference, and (2) this device must accept any interference received, including interference that may cause undesirable operation. Modifications not expressly authorized by Fujitsu America, Incorporated, may invalidate the user's right to operate this equipment.

Canadian Notice

The device for the 5150 - 5250 MHz band is only for indoor usage to reduce the potential for harmful interference to co-channel mobile satellite systems.

The maximum antenna gain of 6 dBi permitted (for devices in the 5250 - 5350 MHz, 5470 - 5725 MHz and 5725 - 5825 MHz bands) to comply with the e.i.r.p. limit as stated in A9.2 of RSS210.

In addition, users are cautioned to take note that high power radars are allocated as primary users (meaning they have priority) of 5250 - 5350 MHz and 5650 - 5850 MHz and these radars could cause interference and/or damage to LE-LAN devices.

Before Using the Optional Wireless LAN

This manual describes the procedures required to properly set up and configure the optional integrated Wireless LAN Mini-PCI device (referred to as "WLAN device" in the rest of the manual). Before using the WLAN device, read this manual carefully to ensure its correct operation. Keep this manual in a safe place for future reference.

Wireless LAN Devices Covered by this Document

This document is applicable to systems containing the following device:

- Intel® Dual Band Wireless-N 7260

Characteristics of the WLAN Device

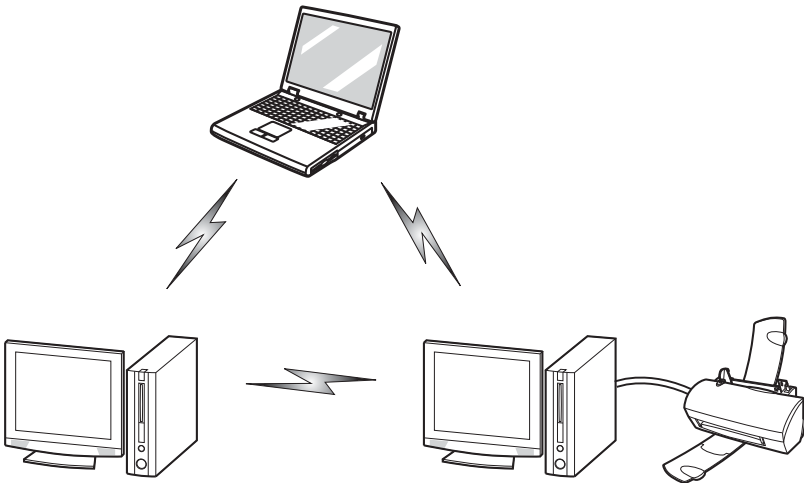
- The WLAN devices are PCI Express Mini cards attached to the main board of the mobile computer.
- The WLAN devices operate in license-free RF bands, eliminating the need to procure an FCC operating license. The WLAN operates in the 2.4GHz Industrial, Scientific, and Medical (ISM) RF band and the lower, middle, and upper bands of the 5GHz Unlicensed National Information Infrastructure (UNII) bands.
- The WLAN devices are capable of four operating modes, IEEE802.11a, IEEE802.11b, IEEE802.11g, and IEEE802.11n
- The WLAN device is Wi-Fi certified and operate (as applicable) at a the maximum data rate of 450 Mbps in IEEE802.11n mode (300 Mbps in this configuration); 54 Mbps in IEEE802.11g mode; and 11 Mbps in IEEE802.11b mode.
- The WLAN devices support the following encryption methods - WEP, TKIP, CKIP, and AES encryption.
- The Wireless LAN devices are compliant with the following standards: WPA, WPA2, CCX1.0, CCX2.0, CCX3.0, and CCX4.0.

Wireless LAN Modes Using this Device

Ad Hoc Mode

"Ad Hoc Mode" refers to a wireless network architecture where wireless network connectivity between multiple computers is established without a central wireless network device, typically known as Access Point(s). Connectivity is accomplished using only client devices in a peer-to-peer fashion. That is why Ad Hoc networks are also known as peer-to-peer networks. Ad Hoc networks are an easy and inexpensive method for establishing network connectivity between multiple computers. Ad Hoc mode requires that the SSID, network authentication, and encryption key settings are identically configured on all computers in the Ad Hoc network.

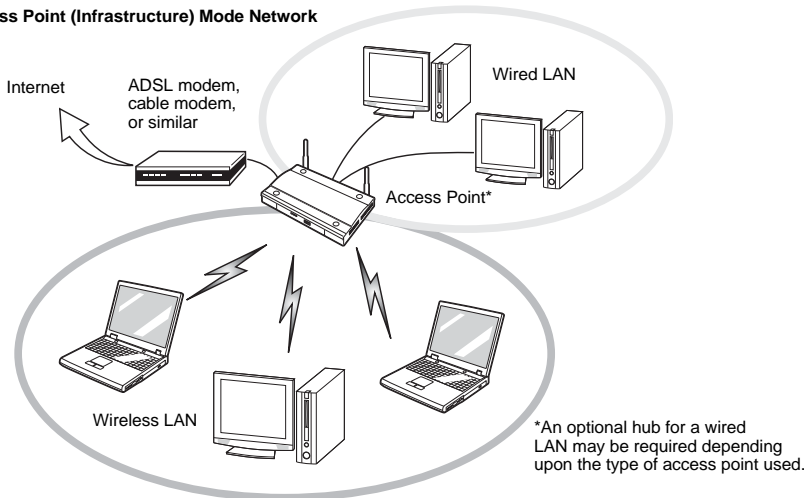
Ad Hoc Mode Network



Access Point (Infrastructure) Mode

Infrastructure mode refers to a wireless network architecture in which devices communicate with wireless or wired network devices by communicating through an Access Point. In infrastructure mode, wireless devices can communicate with each other or with a wired network. Corporate wireless networks operate in infrastructure mode because they require access to the WLAN in order to access services, devices, and computers (e.g., file servers, printers, databases).

Access Point (Infrastructure) Mode Network



How to Handle This Device

The WLAN device is an optional device that may come pre-installed in your mobile computer. Under normal circumstances, it should not be necessary for you to remove or re-install it. The Operating System that your mobile computer comes with has been pre-configured to support the WLAN device.

- Integrated Intel Centrino wireless LAN devices support IEEE802.11a, IEEE802.11b, IEEE802.11g, and IEEE802.11n.
- The WLAN device operates in the 2.4 GHz ISM band and the 5 GHz lower, middle, and upper UNII bands.
- Microwave ovens may interfere with the operation of WLAN devices since they operate in the same 2.4 GHz frequency range as IEEE802.11b/g/n devices. Interference by microwaves does not occur with IEEE802.11a radio which operates in the 5 GHz RF band.
- Wireless devices that transmit in the 2.4 GHz range may interfere with operation of WLAN devices in IEEE802.11b/g/n modes. Symptoms of interference include reduced throughput, intermittent disconnects, and many frame errors. It is HIGHLY recommended that these interfering devices be powered off to ensure proper operation of the WLAN device.

Deactivating/Disconnecting the WLAN Device

Disconnecting the WLAN device may be desired in certain circumstances (to extend battery life) or where certain environments require it (i.e. hospitals, clinics, airplanes, etc.). The WLAN device can be deactivated by using the Wireless Device On/Off Switch, and it can be disconnected in Windows using the WLAN icon in the system tray (Note that disconnecting via the icon in the system tray does not turn off the radio; it continues to transmit and receive even though it's not connected.)

Deactivation Using the Wireless Device On/Off Switch

The WLAN device can be deactivated quickly and efficiently by toggling the Wireless Device On/Off Switch to the Off position. The Wireless Device On/Off switch has no effect on non-Wireless LAN models.

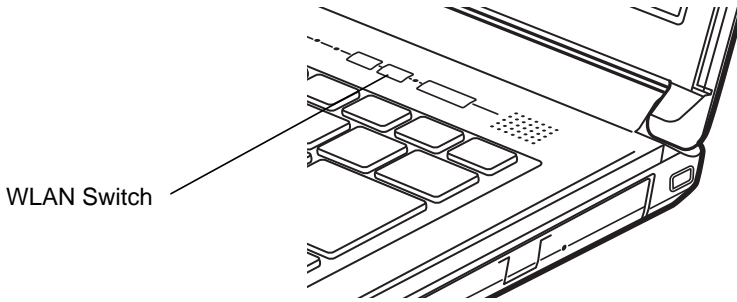


Figure 3. Wireless Device On/Off Switch Location

Disconnection Using the Icon in the Taskbar

Note that disconnecting via the icon in the system tray does not turn off the radio; it continues to transmit and receive even though it's not connected.

- 1 Right-click the WLAN icon in the taskbar at the bottom right of your screen.
- 2 Choose Disconnect from a network.

Activating the WLAN Device

Activation of the WLAN device can be accomplished using the same methods as the deactivation process

- Using the Wireless Device On/Off Switch
- In Windows, by right-clicking the WLAN icon then clicking "Connect to a network"

Configuring the Wireless LAN

The optional WLAN device can be configured to establish wireless network connectivity using the software that is built into Windows. Support for most industry standard security solutions is contained in this software.

Pre-defined parameters will be required for this procedure. Please consult with your network administrator for these parameters:

Configuring the WLAN Using Windows

The WLAN device can be configured to establish wireless network connectivity using the software that is built into Windows Vista. Support for most industry standard security solutions is contained in this software.

Pre-defined parameters are required for this procedure. Consult your network administrator for these parameters:

- 1 From the Modern Start screen, press [Windows]+[X], then select Control Panel from the menu.
- 2 If the Control Panel is not in Classic View, select Classic View from the left panel. Double-click the Network and Sharing Center icon.
- 3 Select "Setup a new connection or network".
- 4 Depending upon what type of connection you would like to make, make a selection. For an infrastructure network, select "Manually connect to a wireless network".
- 5 Enter the required information. It may be necessary to consult with your network administrator for some of the information.
- 6 In the event you require assistance, go to the Network and Sharing Center window (Control Panel > Network and Sharing Center), and type in relevant keywords in the Search box.

Connection to the network

After you have configured your computer, you can connect to an active network by performing the following steps:

- 1 Click on the WLAN icon in the system tray.
- 2 Select "Connect to a network".
- 3 Select a network from the list that appears, and click the [Connect] button.

Troubleshooting the WLAN

Causes and countermeasures for troubles you may encounter while using your wireless LAN are described in the following table.

Problem	Possible Cause	Possible Solution
Unavailable network connection	Incorrect network name (SSID) or network key	<p>Ad hoc connection: verify that the network names (SSID's) and network keys (WEP) of all computers to be connected have been configured correctly. SSID's and WEP key values must be identical on each machine.</p> <p>Access Point (Infrastructure) connection: set the network name (SSID) and network key to the same values as those of the access point.</p> <p>Set the Network Authentication value identically to that of the Access Point. Please consult your network administrator for this value, if necessary.</p>
	Weak received signal strength and/or link quality	<p>Ad hoc connection: Retry connection after shortening the distance to the destination computer or removing any obstacles for better sight.</p> <p>Access Point (Infrastructure) connection: Retry connection after shortening the distance to the access point or removing any obstacles for better sight.</p>

Problem	Possible Cause	Possible Solution
Unavailable network connection (continued)	The WLAN device was deactivated or is disabled	Check if the wireless switch is turned On. Go to Start > Control Panel , and double-click on Windows Mobility Center . If the wireless network is off, click the [Turn wireless on] button.
	The computer to be connected is turned off	Check if the computer to be connected is turned ON.
	Incorrectly configured network settings	Recheck the configuration of your network settings.
	RF interference from Access Points or other wireless networks	The use of identical or overlapping RF channels can cause interference with the operation of the WLAN device. Change the channel of your Access Point to a channel that does not overlap with the interfering device.
	Wireless network authentication has failed	Re-check your Network Authentication, Encryption, and Security settings. Incorrectly configured security settings such as an incorrectly typed WEP key, a mis-configured LEAP username, or an incorrectly chosen authentication method will cause the LAN device to associate but not authenticate to the wireless network.
	Incorrect IP address configuration	This only applies to networks using static IP addresses. Please contact your network administrator for the correct settings.

WLAN Specifications

Specifications

Item	Specification
Type of network	Integrated Dual-Band Wireless-N 7260 device conforms to IEEE 802.11a, 802.11b/g, and 802.11n, Wi-Fi based*.
Transfer rate	(Automatic switching) IEEE802.11 a and g: 54 Mbps max. data rate; IEEE802.11n: 300 Mbps max. data rate
Active frequency	<ul style="list-style-type: none"> • 802.11n: 2.4 GHz or 5 GHz • 802.11b/g: 2400~2473 MHz • 802.11a: 4900 ~ 5850 MHz
Typical operating distances**	<ul style="list-style-type: none"> • 802.11a: 40 ft. (12 m) @ 54 Mbps; 300 ft. (91 m) @ 6 Mbps • 802.11b: 100 ft. (30 m) @ 11 Mbps; 300 ft. (91 m) @ 1 Mbps • 802.11g: 100 ft. (30 m) @ 54 Mbps; 300 ft. (91 m) @ 1 Mbps • 802.11n: Estimated double the operating distance of 802.11g and 802.11a in their respective frequencies.
Number of channels	<ul style="list-style-type: none"> • 802.11a: 8 independent channels • 802.11b/g: 11 channels, 3 non-overlapping channels • 802.11n: Channel bonding takes two of the non-overlapping 20MHz channels and combines it into one 40MHz channel. It is actually 12 non-overlapping channels with channel bonding and 24 without. Also, it is 1 non-overlapping channel in 2.4GHz when channel bonding is used
Security	<p>Encryption Types - WEP, TKIP, AES***, WPA 1.0 and WPA 2.0 compliant</p> <p>Encryption Key lengths Supported: 64 bits and 128 bits</p>
Maximum recommended number of computers to be connected over wireless LAN (during ad hoc connection)	10 units or less ****

* "Wi-Fi based" indicates that the interconnectivity test of the organization which guarantees the interconnectivity of wireless LAN (Wi-Fi Alliance) has been passed.

** The communication ranges shown above will increase or decrease depending on factors such as number of walls, reflective material, or interference from external RF sources.

*** Encryption with network key (WEP) is performed using the above number of bits, however, users can set 40 bits/ 104 bits after subtracting the fixed length of 24 bits.

**** Depending on practical environments, the allowable number of computers to be connected may be decreased.

Using the Bluetooth Device

Bluetooth is integrated into the Wireless LAN module. The Bluetooth capabilities are Bluetooth Basic, EDR and Bluetooth Low Energy (BT v4.0) operational modes.

What is Bluetooth

Bluetooth technology is designed as a short-range wireless link between mobile devices, such as laptop computers, phones, printers, and cameras. Bluetooth technology is used to create Personal Area Networks (PANs) between devices in short-range of each other.

TO ENABLE OR DISABLE EITHER THE WIRELESS LAN OR BLUETOOTH DEVICES INDIVIDUALLY, PERFORM THE FOLLOWING STEPS:



- > TURN ON THE WLAN/BLUETOOTH SWITCH.
- > GO TO THE MODERN START SCREEN -> CHARMS -> SETTINGS -> CHANGE PC SETTINGS -> WIRELESS.
- > UNDER WIRELESS->WIRELESS DEVICES, CLICK ON "BLUETOOTH" SWITCH TO TURN IT ON.

Where to Find Information About Bluetooth

For additional information about Bluetooth Technology, visit the Bluetooth Web site at: www.bluetooth.com.

FCC Radiation Exposure Statement

This equipment complies with FCC radiation exposure limits set forth for an uncontrolled environment. The Bluetooth antenna is located on the front edge of the right palm rest and is exempt from minimum distance criteria due to its low power.

The transmitters in this device must not be co-located or operated in conjunction with any other antenna or transmitter.

Canadian Notice

To prevent radio interference to the licensed service, this device is intended to be operated indoors and away from windows to provide maximum shielding. Equipment (or its transmit antenna) that is installed outdoors is subject to licensing.

Warranty

Users are not authorized to modify this product. Any modifications invalidate the warranty.

This equipment may not be modified, altered, or changed in any way without signed written permission from Fujitsu. Unauthorized modification will void the equipment authorization from the FCC and Industry Canada and the warranty.