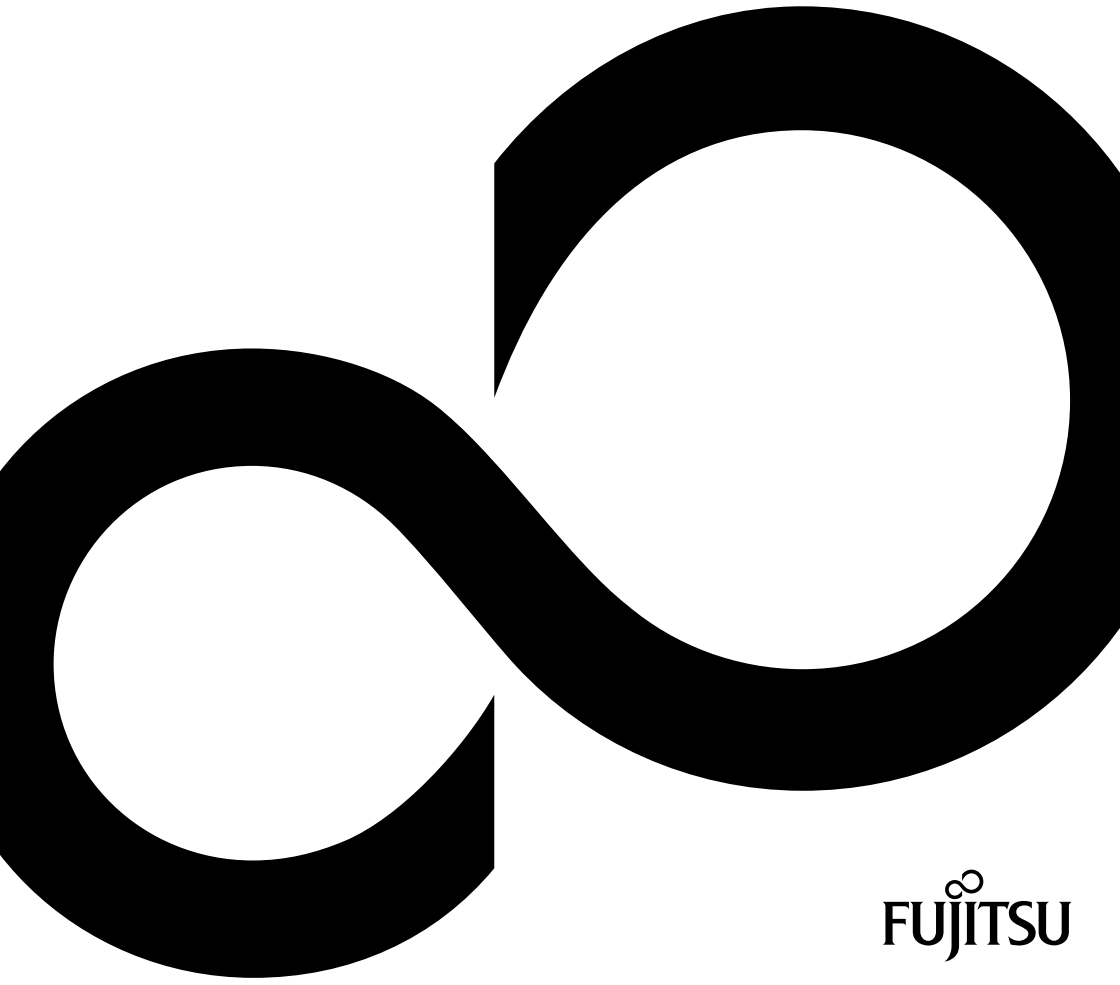
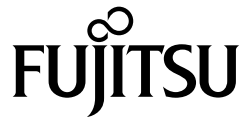


# FUJITSU LIFEBOOK T726

---





**Contact address in North America**

FUJITSU AMERICA INC.

1250 East Arques Avenue, Sunnyvale,

CA 94085-3470, U.S.A.

Telephone: 800 831 3183 or 408 746 6000

["http://solutions.us.fujitsu.com"](http://solutions.us.fujitsu.com)

["http://solutions.us.fujitsu.com/contact"](http://solutions.us.fujitsu.com/contact)

Have a question? Email us at: ["AskFujitsu@us.fujitsu.com"](mailto:AskFujitsu@us.fujitsu.com)

**Copyright**

© 2 0 1 5 Fujitsu America, Inc.. All rights reserved

B5FK-5511-01ENZO-00

# FUJITSU LIFEBOOK T726

## Operating Manual

<b>Declaration of conformity</b>	<b>7</b>
<b>Fujitsu Contact Information</b>	<b>8</b>
<b>Ports and controls</b>	<b>10</b>
<b>Important notes</b>	<b>13</b>
<b>First-time setup of your device</b>	<b>18</b>
<b>Working with the notebook</b>	<b>22</b>
<b>Security functions</b>	<b>70</b>
<b>Connecting external devices</b>	<b>78</b>
<b>Removing and installing components during servicing</b>	<b>84</b>
<b>Settings in BIOS Setup Utility</b>	<b>92</b>
<b>Troubleshooting and tips</b>	<b>95</b>
<b>Technical data</b>	<b>104</b>
<b>Manufacturer's notes</b>	<b>109</b>
<b>Declarations of conformity</b>	<b>112</b>
<b>FCC and IC Regulatory Information</b>	<b>113</b>
<b>Appendix</b>	<b>117</b>
<b>Index</b>	<b>133</b>

## **Copyright and Trademark Information**

Fujitsu America, Incorporated has made every effort to ensure the accuracy and completeness of this document; however, as ongoing development efforts are continually improving the capabilities of our products, we cannot guarantee the accuracy of the contents of this document. We disclaim liability for errors, omissions, or future changes.

Fujitsu, the Fujitsu logo and LIFEBOOK are registered trademarks of Fujitsu Limited or its subsidiaries in the United States and other countries.

Intel and Intel Core are trademarks or registered trademarks of Intel Corporation or its subsidiaries in the United States and other countries.

Microsoft and Windows are either registered trademarks or trademarks of Microsoft Corporation in the United States and/or other countries.

The ExpressCard word mark and logo are owned by the Personal Computer Memory Card International Association (PCMCIA) and any use of such marks by Fujitsu America, Incorporated is under license.

Google is a trademark or registered trademark of Google Incorporated.

Bluetooth is a trademark of Bluetooth SIG, Inc., USA.

OmniPass is a trademark of Softex, Inc.

Roxio is a trademark of Roxio, a division of Sonic Solutions.

PowerDirector, PowerDVD, YouCam, and MakeDisc are trademarks of CyberLink Corp.

Adobe, Acrobat, and Adobe Reader are either a registered trademarks or trademarks of Adobe Systems Incorporated in the United States and/or other countries.

The DVD player found in some models of the LIFEBOOK notebook incorporates copyright protection technology that is protected by method claims of certain U.S. patents and other intellectual property rights owned by Macrovision Corporation and other rights users. Use of this copyright protection technology must be authorized by Macrovision Corporation, and is intended for home and other limited viewing uses only unless authorized by Macrovision Corporation. Reverse engineering or disassembly is prohibited.

All other trademarks specified here are the property of their respective owners.

# Contents

<b>Declaration of conformity</b> .....	<b>7</b>
<b>Fujitsu Contact Information</b> .....	<b>8</b>
Notational conventions .....	9
<b>Ports and controls</b> .....	<b>10</b>
<b>Important notes</b> .....	<b>13</b>
Safety instructions .....	13
Additional safety notes for devices with radio components .....	14
Energy saving .....	14
Energy saving under Windows .....	14
Traveling with your notebook .....	15
Before you travel .....	15
Transporting the notebook .....	16
Storing the notebook .....	16
Cleaning the notebook .....	17
Further information on cleaning the notebook .....	17
<b>First-time setup of your device</b> .....	<b>18</b>
Unpacking and checking the device .....	18
Choose a location .....	19
Connecting the AC adapter .....	19
Switching on the device for the first time .....	20
Installing Bonus Apps .....	21
<b>Working with the notebook</b> .....	<b>22</b>
Status indicators .....	22
Opening the notebook .....	24
Switching on the notebook .....	25
Programming the ON/OFF button .....	25
Different ways to use your notebook .....	26
From notebook to Tablet PC .....	26
Select display orientation (portrait or landscape format) .....	28
From Tablet PC to notebook .....	29
Switching off the notebook .....	30
Closing the notebook .....	31
Handwriting recognition .....	31
LCD screen .....	32
Ambient light sensor .....	32
Using a device as a tablet PC .....	32
Using fingers .....	33
Using the stylus (for Dual Digitizer models only) .....	38
Using the device as a notebook .....	42
Touchpad and touchpad buttons .....	42
Keyboard .....	44
Virtual number keys .....	46
Country and keyboard settings .....	46
Key combinations .....	47
Tablet buttons .....	49
Webcam .....	50
Rechargeable battery .....	51

Charging, caring for and maintaining the battery	51
Removing and installing the battery	51
Battery charging status indicator	54
Modules	55
Removing a modular bay device	55
Installing a modular bay device	56
Optical drive	56
Handling optical disks	56
CD/DVD indicator	57
Inserting or removing an optical disk	57
Manual removal (emergency removal)	58
Using the energy saving functions	59
Memory cards	60
Supported format	60
Inserting the memory card	60
Removing the memory card	60
Speaker and microphone	61
SIM card	62
Inserting a SIM card	62
Removing a SIM card	63
Optional wireless LAN/Bluetooth/4G radio components	63
Switching the wireless components on and off	63
Configuring WLAN access	64
Further information on WLAN and Bluetooth	64
Access via Wireless WAN	64
Access via 4G	64
UMTS/LTE antenna	65
Ethernet and LAN	65
Your port replicator (optional)	66
Ports on the port replicator	66
Connecting the notebook to the port replicator	67
Connecting the AC adapter to the port replicator	68
Switching on the notebook via the port replicator	68
Disconnecting the notebook from the port replicator	69
<b>Security functions</b>	<b>70</b>
Brief overview of the security functions	71
Configuring the fingerprint sensor	72
Using the Security Lock	73
Configuring password protection in BIOS Setup Utility	73
Protecting BIOS Setup Utility (supervisor password and user password)	74
Password protection for booting the operating system	75
Password protection for the hard disk	75
Smart Card reader	76
Inserting the Smart Card	76
Trusted Platform Module - TPM (device dependent)	77
Enabling TPM	77
Disabling TPM	77
<b>Connecting external devices</b>	<b>78</b>
Connecting an external monitor	79
HDMI port	80
Connecting USB devices	80
USB port with charging function (Anytime USB charge)	81

Connecting an external SATA hard drive (eSATA) (port replicator only) .....	82
Safe removal of eSATA and USB devices .....	82
Connecting external audio devices .....	83
Microphone port/Line In .....	83
Headphones port .....	83
<b>Removing and installing components during servicing .....</b>	<b>84</b>
Notes on installing and removing boards and components .....	84
Preparing to remove components .....	85
Removing and installing memory expansion .....	85
Remove the cover .....	86
Removing a memory module .....	86
Installing a memory module .....	87
Attaching the cover .....	87
Removing and installing the hard disk .....	88
Remove the cover .....	88
Removing the hard disk .....	89
Installing a hard disk .....	90
Attaching the cover .....	91
Finishing component removal .....	91
<b>Settings in BIOS Setup Utility .....</b>	<b>92</b>
Starting the BIOS Setup Utility .....	92
BIOS Setup Utility operation .....	93
Exiting BIOS Setup Utility .....	94
Exit Saving Changes - save changes and exit BIOS Setup Utility .....	94
Exit Discarding Changes - Reject changes and exit BIOS Setup Utility .....	94
Load Setup Defaults – load default values .....	94
Discard Changes - Discard Changes without exiting BIOS Setup Utility .....	94
Save Changes - save changes without exiting the BIOS Setup Utility .....	94
Save changes and power off .....	94
<b>Troubleshooting and tips .....</b>	<b>95</b>
Help if problems occur .....	95
Recovering your Factory Image .....	95
The notebook's date or time is incorrect .....	96
Battery indicator does not illuminate .....	96
When certain characters are entered on the keyboard, only numerals are written .....	96
The notebook's LCD screen remains blank .....	96
The LCD screen of the notebook is difficult to read .....	97
The external monitor remains blank .....	97
The external monitor is blank or the image is unstable .....	97
The cursor does not correctly follow the stylus movements .....	98
Stylus input not working .....	98
The notebook does not start after switching it on .....	98
The notebook stops working .....	99
The printer does not print .....	99
The wireless connection to a network does not work .....	99
The battery discharges too quickly .....	100
Smart Card reader is not recognized .....	100
Smart Card PIN forgotten .....	100
Smart Card lost .....	100
User and/or supervisor Smart Card lost .....	101
Acoustic warning .....	101

Error messages on the screen .....	102
<b>Technical data .....</b>	<b>104</b>
Notebook .....	104
WLAN specifications .....	105
Port replicator (optional) .....	107
Rechargeable battery .....	107
AC adapter for use with notebook and port replicator .....	108
<b>Manufacturer's notes .....</b>	<b>109</b>
Disposal and recycling .....	109
Recycling your battery .....	109
DOC (Industry CANADA) Notices .....	109
UL Notice .....	110
ENERGY STAR Compliance .....	111
<b>Declarations of conformity .....</b>	<b>112</b>
<b>FCC and IC Regulatory Information .....</b>	<b>113</b>
Regulatory Notes and Statements .....	113
Wireless LAN, Health and Authorization for use .....	113
Regulatory Information/Disclaimers .....	113
Federal Communications Commission and Industry Canada statement: .....	113
Déclaration d'Industrie Canada .....	114
FCC Interference Statement .....	114
FCC Radio Frequency Exposure statement .....	114
Déclaration de la FCC/d'Industrie Canada sur l'exposition aux radiofréquences .....	115
Export restrictions .....	115
Restrictions concernant l'exportation .....	115
Canadian Notice .....	115
Avis pour le Canada .....	116
<b>Appendix .....</b>	<b>117</b>
Before Using the Optional Wireless LAN .....	117
Wireless LAN Devices Covered by this Document .....	117
Characteristics of the WLAN Device .....	117
Wireless LAN Modes Using this Device .....	117
Deactivating/Disconnecting the WLAN Device .....	120
Configuring the Wireless LAN .....	120
Configuring the WLAN Using Windows .....	120
Connection to the network .....	120
Troubleshooting the WLAN .....	121
Using the Bluetooth Device .....	123
Image Backup and Recovery Procedures .....	123
Creating a Backup of Bootable Disk and Recovery Image .....	124
RECOVER YOUR SYSTEM WHEN THE HARD DRIVE IS STILL ACCESSIBLE .....	125
Using the Recovery and Utility Tools .....	125
Restore the Recovery Image from Hidden Partition .....	127
RECOVER YOUR SYSTEM WHEN THE HARD DRIVE IS NOT BOOTABLE .....	128
Restore the Recovery Image for Full Hard Drive .....	128
Recovering Your Recovery Image Using Recovery and Utility (for new hard drive or non-bootable hard drive) .....	129
Installing the Software after the Recovery Image is Restored .....	130
<b>Index .....</b>	<b>133</b>



# Declaration of conformity



## DECLARATION OF CONFORMITY

according to FCC Part 15

Responsible Party Name: Fujitsu America, Inc.  
Address: 1250 E. Arques Avenue  
Sunnyvale, CA 94085  
Telephone: (408) 746-600  
Declares that product: Base Model Configuration: LIFEBOOK T726 Notebook  
Complies with Part 15 of the FCC Rules.

This device complies with Part 15 of the FCC rules. Operations are subject to the following two conditions: (1) This device may not cause harmful interference. (2) This device must accept any interference received, including interference that may cause undesired operation.

# Fujitsu Contact Information

## Service and Support

You can contact Fujitsu Service and Support in the following ways:

- Toll free phone: 1-800-8Fujitsu (1-800-838-5487)
- Website: "<http://solutions.us.fujitsu.com/www/content/support/contact/index.php>"



Before you place the call, have the following information ready so that the customer support representative can provide you with the fastest possible solution:

- Product name
- Product configuration number
- Product serial number
- Purchase date
- Conditions under which the problem occurred
- Any error messages that have occurred
- Type of device connected, if any

## Fujitsu Shopping Online

Please go to "<http://www.shopfujitsu.com/store/>".






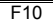
## Maintaining Latest Configuration

To ensure that you always have the most current driver updates related to your system, occasionally access the Fujitsu Software Download Manager (FSDM) utility. The FSDM utility is available from the Fujitsu Support site. FSDM will allow you to view a list of the most current drivers, utilities and applications to determine whether you have the latest versions. If you have a Windows 7 or or Windows 8/8.1 operating system, you will need to go to the Support Site to download the FSDM Utility: "<http://support.fujitsupc.com/CS/Portal/support.do?srch=DOWNLOADS>".

## Limited Warranty

Your LIFEBOOK notebook is backed by a Fujitsu International Limited Warranty. Check the service kit that came with your notebook for the Limited Warranty period and terms and conditions.

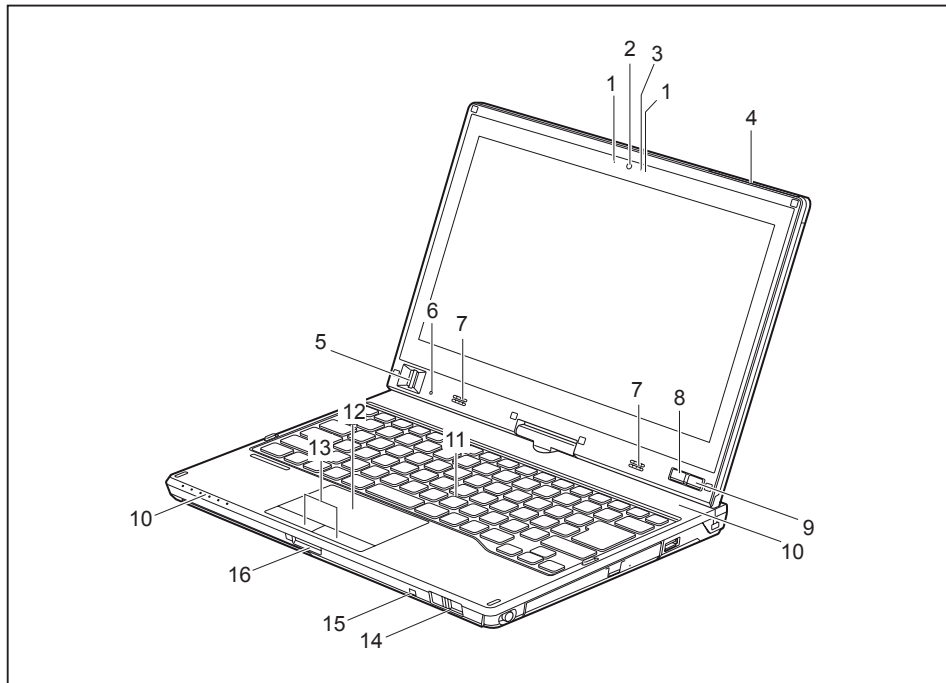
## Notational conventions

	Pay particular attention to text marked with this symbol. Failure to observe this warning will endanger your life, will damage the device or lead to loss of data. The warranty will be invalidated if the device becomes defective through failure to observe these warnings.
	Indicates important information which is required to use the device properly.
	indicates an activity that must be performed
	indicates a result
<b>This style</b>	indicates data entered using the keyboard in a program dialogue or at the command line, e.g. your password ( <b>Name123</b> ) or a command used to start a program ( <b>start.exe</b> )
This style	indicates information that is displayed on the screen by a program, e.g.: Installation is complete.
<i>This style</i>	indicates <ul style="list-style-type: none"> <li>terms and texts used in a software interface, e.g.: Click on <i>Save</i>.</li> <li>names of programs or files, e.g. <i>Windows</i> or <i>setup.exe</i>.</li> </ul>
"This style"	indicates <ul style="list-style-type: none"> <li>Cross-references to another section, e.g. "Safety information"</li> <li>cross-references to an external source, e.g. a web address: For more information, go to "<a href="http://solutions.us.fujitsu.com/">http://solutions.us.fujitsu.com/</a>"</li> <li>names of CDs, DVDs and titles or designations of other materials, e.g.: "CD/DVD Drivers &amp; Utilities" or "Safety/Regulations" manual</li> </ul>
	indicates a key on the keyboard, e.g.: 
<b>This style</b>	indicates terms and text that are emphasized or highlighted, e.g.: <b>Do not switch off the device</b>

# Ports and controls

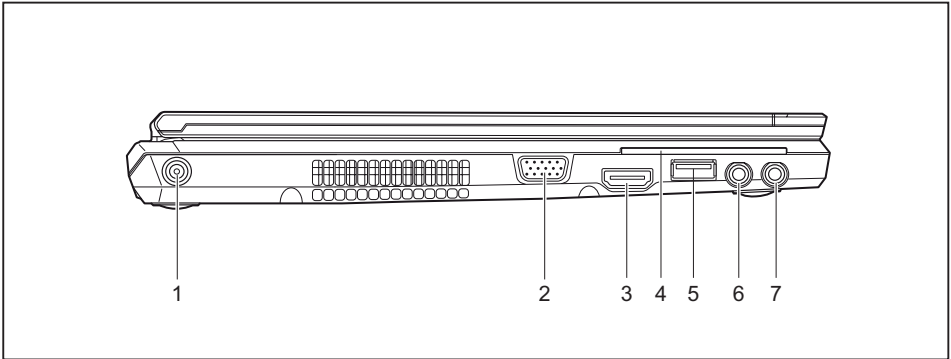
This chapter presents the individual hardware components of your device. It gives an overview of the indicators and connections of the device. Please familiarize yourself with these items before you start to work with the device.

## Notebook open



- |   |                                      |
|---|--------------------------------------|
| 1 = Microphone                            | 9 = ON/OFF button                    |
| 2 = Webcam                                | 10 = Status indicators               |
| 3 = Webcam LED                            | 11 = Keyboard                        |
| 4 = UMTS/LTE antenna                      | 12 = Touchpad                        |
| 5 = Fingerprint sensor (device dependent) | 13 = Touchpad buttons                |
| 6 = Ambient light sensor                  | 14 = Eject button for stylus         |
| 7 = Speaker                               | 15 = Tether eyelet for stylus tether |
| 8 = Windows button                        | 16 = Memory card slot                |

**Left-hand side**



1 = DC jack (DC IN)

2 = External monitor port (VGA)

3 = HDMI port

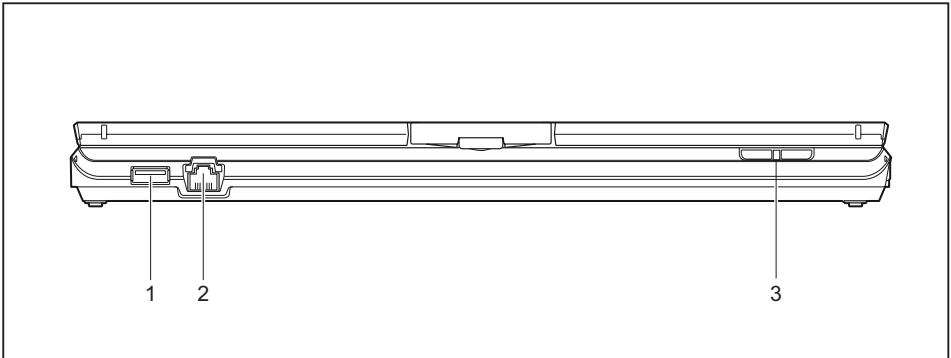
4 = SmartCard reader (device dependent)

5 = USB port 3.0 with charging function  
(Anytime USB charge)

6 = Microphone port

7 = Headphones port

**Rear**

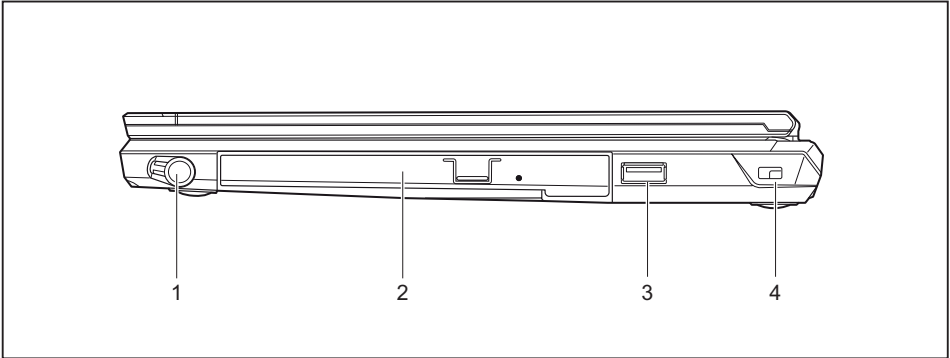


1 = USB port 3.0

2 = LAN port

3 = Volume button +, volume button -

Right-hand side



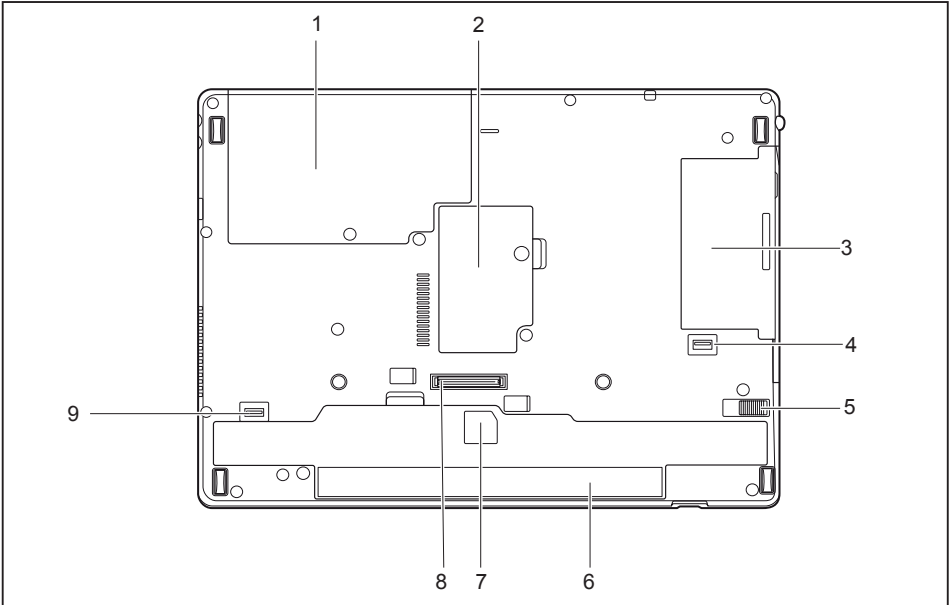
1 = Stylus slot

2 = Modular bay with optical drive

3 = USB port 3.0

4 = Security Lock device

Bottom



1 = Hard disk service compartment

2 = Memory upgrade compartment

3 = Modular bay with optical drive

4 = Modular bay release button

5 = Battery lock slider

6 = Battery with SIM card slot under the battery

7 = Battery charging status indicator

8 = Port for port replicator

9 = Battery lock slider

# Important notes



This chapter contains essential safety information which must be followed when working with your notebook. Other notes also provide useful information which will help you with your notebook.

## Safety instructions



Please observe the following safety information.

Please pay special attention to the sections in the manual marked with the symbol on the left.

When connecting and disconnecting cables, observe the relevant notes in this operating manual.

Read the information on the ambient conditions in the ["Technical data", Page 104](#) chapter and the ["First-time setup of your device", Page 18](#) chapter before preparing your notebook for use and switching it on for the first time.

When cleaning the device, please observe the relevant notes in the section ["Cleaning the notebook", Page 17](#).

Pay attention to the additional safety notes for devices with radio components provided in the "Safety/Regulations" manual.

Please refer to the notes in the chapter ["Removing and installing components during servicing", Page 84](#).

When handling this device, you will come into contact with lead, a chemical which in California is held to be a possible cause of birth defects and other damage to fertility.

Wash your hands after using the device.

This notebook complies with the relevant safety regulations for data processing equipment. If you have any questions about setting up your notebook in the intended environment, please contact your sales outlet or our Hotline/Service Desk.

## Additional safety notes for devices with radio components

If a radio component (Wireless LAN, Bluetooth, UMTS, 4G) is incorporated in your notebook, you must be sure to observe the following safety notes when using your notebook:

- Switch off the radio components when you are in an aircraft or driving in a car.
- Switch off the radio components when you are in a hospital, an operating room or near a medical electronics system. The transmitted radio waves can impair the operation of medical devices.
- Switch off the radio components, when you let the device get near flammable gases or into hazardous environments (e.g. gas station, paintshops), as the transmitted radio waves can cause an explosion or a fire.



For further information on how to switch the radio components on and off, refer to chapter ["Switching the wireless components on and off", Page 63.](#)

## Energy saving

Switch the notebook off when it is not in use. Switch off any connected external devices when they are not in use. If you use the energy saving functions, the notebook uses less power. You will then be able to work for longer before having to recharge the battery.



The energy efficiency is increased and environmental pollution is reduced. You save money and help protect the environment.

## Energy saving under Windows

- ▶ Make use of the available energy saving functions as described in chapter ["Using the energy saving functions", Page 59.](#)



## Traveling with your notebook

Please observe the points listed below when traveling with your notebook.

### Before you travel

- ▶ Back up important data stored on your hard disk.
- ▶ Switch off the radio component for data security reasons. With data traffic via a wireless connection, it is also possible for unauthorized third parties to receive data.



Information on activating data encryption is provided in the documentation for your radio component.

- ▶ If you wish to use your notebook during a flight, check with the flight attendants if its use is safe.

### When traveling in other countries

- ▶ If you are traveling abroad, check that the AC adapter can be operated with the local AC voltage. If this is not the case, obtain the appropriate AC adapter for your notebook. Do not use any other converter!
- ▶ Check whether the local AC voltage and the AC cable are compatible. If this is not the case, buy an AC cable that suits the local conditions.
- ▶ Enquire with the corresponding government office of the country you will be traveling to, whether you may use your notebook with its integrated radio component there.
- ▶ Take the necessary travel adapters with you when traveling abroad. Check the following table to see which travel adapters you will need, or ask your travel organizer.

Power connection	Travel destination
	United States, Canada, Mexico, parts of Latin America, Japan, Korea, Philippines, Taiwan
	Russia and the Commonwealth of Independent States (CIS), much of Europe, parts of Latin America, the Middle East, parts of Africa, Hong Kong, India, much of south-east Asia
	United Kingdom, Ireland, Malaya, Singapore, parts of Africa
	China, Australia, New Zealand

## Transporting the notebook



Protect the notebook from severe shocks and extreme temperatures (e.g. direct sunlight in a car).

- ▶ If your device has an optical drive, remove all optical disks from the drives (e.g. CD, DVD).
- ▶ Switch the notebook off.
- ▶ Unplug the AC plug of the AC adapter and all external devices from the power outlets.
- ▶ Disconnect the AC adapter cable and the data cables for all external devices.
- ▶ Close the LCD screen.
- ▶ To protect against damaging jolts and bumps, use a notebook carrying case to transport your notebook.

## Storing the notebook

- If storing your notebook for a month or longer, turn it off, fully charge the battery, then remove and store all the Lithium Polymer batteries in a suitable location.
- Store your notebook in a cool dry location. Temperatures should remain between 13 °F / -25 °C and 140 °F / 60 °C.
- Store your notebook and batteries separately. If you store your notebook with a battery installed, the battery will discharge, and battery life will be reduced. In addition, a faulty battery might damage your notebook.



- Always power off the notebook before transporting and/or packaging it. After shutting down the notebook, wait until the status LED panel indicates the power-off condition (i.e., no lights are illuminated).
- It is possible that the notebook may not automatically go to power-off or sleep mode when you close the lid. This situation may occur due to pre-operating system boot password security settings or some other application running on the notebook.
- Attempting to transport the notebook while power is on may damage the notebook due to shock or overheating.

## Cleaning the notebook



- Use of incorrect cleaners can result in optical impairment of the LCD and / or damage to the notebook. Always refer to the cleaner manufacturer's guidelines and material safety data sheets for proper handling and use of the products.
- Never use ammonia, acidic, or alkaline cleaners or organic chemicals such as paint thinner, acetone or kerosene. It may damage surface finishes and the coating of the LCD screen.
- Never use compressed air for cleaning the notebook.
- If your notebook has a Smart Card slot, be very careful to avoid any liquid entering the slot as this can damage the notebook.

## Further information on cleaning the notebook

The notebook does not float.



If the notebook is exposed to water or other liquids with its connections open, liquid can penetrate the notebook and cause a malfunction. Do not continue to use the notebook. Switch it off and contact our hotline / our service desk (see enclosed list of service desks or visit our website at: "<http://www.fujitsu.com/us/support/>").

# First-time setup of your device



Please read the chapter ["Important notes", Page 13](#).

If your device is equipped with a Windows operating system, the necessary hardware drivers and supplied software are already pre-installed.

Before switching it on for the first time, connect the device to the AC voltage using the AC adapter, see ["Connecting the AC adapter", Page 19](#). The AC adapter must remain connected during the whole of the installation process.

A system test is performed when your device is first switched on. Various messages can appear. The display may remain dark for a short time or may flicker.

Please follow the instructions on the screen.

NEVER switch off your device during the first-time setup process.

On delivery, the battery can be found in the battery compartment or in the accessories kit. The battery must be charged if you want to operate your device using the battery.

When used on the move, the built-in battery provides the device with the necessary power. You can increase the operating time by using the available energy saving functions.

For instructions on how to connect external devices (e.g. mouse, printer) to your device, please refer to the operating manual for your device.

## Unpacking and checking the device



If you find that damage has occurred during transport, please notify your local sales outlet immediately!

- ▶ Unpack all the individual parts.
- ▶ Check your device for any visible damage which may have occurred during transportation.



You may need to reuse the packaging in the future, for example if you need to ship your device.

## Choose a location



Choose a suitable location for the device before setting it up. In doing so, please follow these instructions:

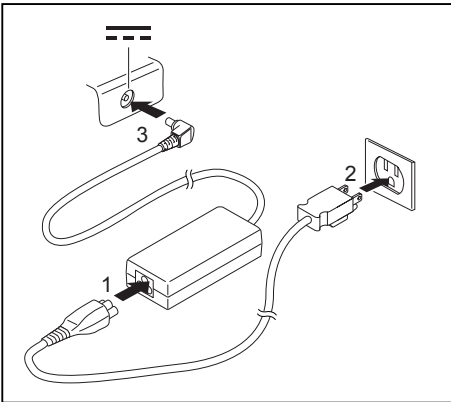
- Never place the device or the AC adapter on a heat-sensitive surface. The surface could be damaged as a result.
- Never place the device on a soft surface (e.g. carpeting, upholstered furniture, bed). This can block the air vents and cause overheating and damage.
- The underside of the device heats up during normal operation. Prolonged contact with the skin can become unpleasant or even result in burns.
- Place the device on a stable, flat, non-slippery surface. Please note that the rubber feet of the device may mark certain types of delicate surfaces.
- Keep other objects at least 100 mm / 3.97 inches away from the device and its AC adapter to ensure adequate ventilation.
- Never cover the ventilation openings of the device.
- Do not expose the device to extreme environmental conditions. Protect the device against dust, humidity and heat.

## Connecting the AC adapter



Observe the safety notes in the enclosed "Safety/Regulations" manual.

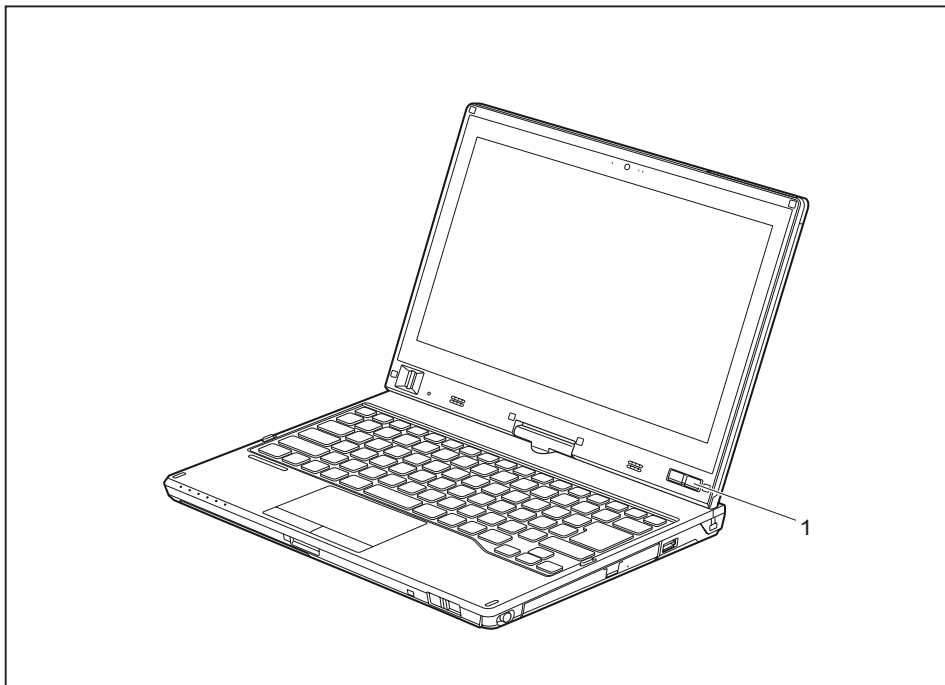
The supplied AC cable conforms to the requirements of the country in which you purchased your device. Make sure that the AC cable is approved for use in the country in which you intend to use it.



- ▶ Connect the AC cable (1) to the AC adapter.
- ▶ Plug the AC cable (2) into a power outlet.
- ▶ Connect the AC adapter cable (3) to the DC jack (DC IN) of the device.

## Switching on the device for the first time

To make it easier to use your device for the first time, the operating system is pre-installed on the hard disk.



- ▶ Slide the ON/OFF button (1) to the right to switch on the notebook.
- ↳ The ON/OFF button returns automatically to its original position.
- ▶ During the installation process, follow the on-screen instructions.



You can find information and help on the Windows operating system functions on the Internet at ["http://windows.microsoft.com"](http://windows.microsoft.com).

## Installing Bonus Apps

After you have started your system the first time, you will see a Bonus Apps icon on your desktop.

- ▶ Click on the icon to see which additional applications are available for you to install.
- ↳ Applications that are already installed appear in grey, those that are available for installation appear in blue.
- ▶ Select the applications you wish to install by selecting the checkbox adjacent to your selection.

or

- ▶ Click *Select All* if you would like to install all available applications.
- ▶ To confirm your selection, click *Install*.



Note that in some cases (depending upon which application was selected for installation) after installation completes, the system will prompt you to reboot.

There are also cases in which if multiple applications are selected to install but one of them needs a reboot, the system will reboot and continue installing the rest of the selected applications.

# Working with the notebook

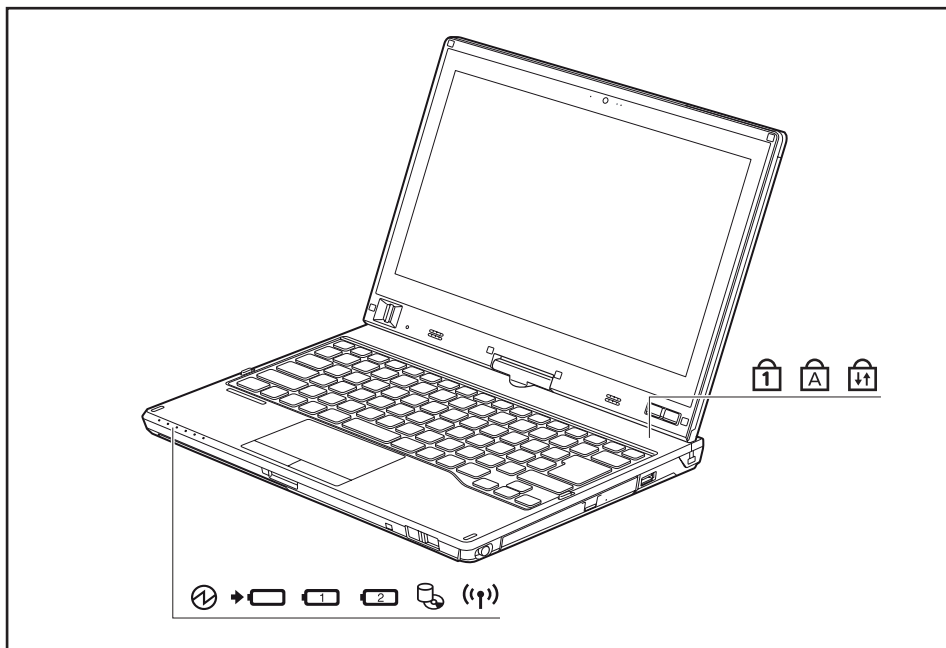
This chapter describes the basics for operating your notebook. Please refer to ["Connecting external devices", Page 78](#) for instructions on how to connect external devices such as a mouse and a printer to the notebook.











Please refer to the notes in the chapter ["Important notes", Page 13](#).

## Status indicators

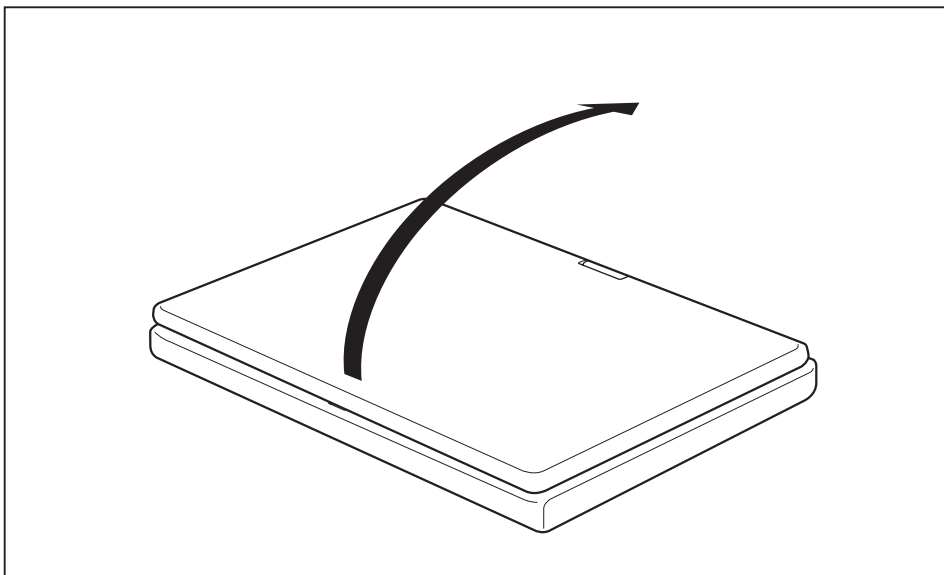
The status indicators provide information about the status of the power supply, the drives and the keyboard functions, etc.





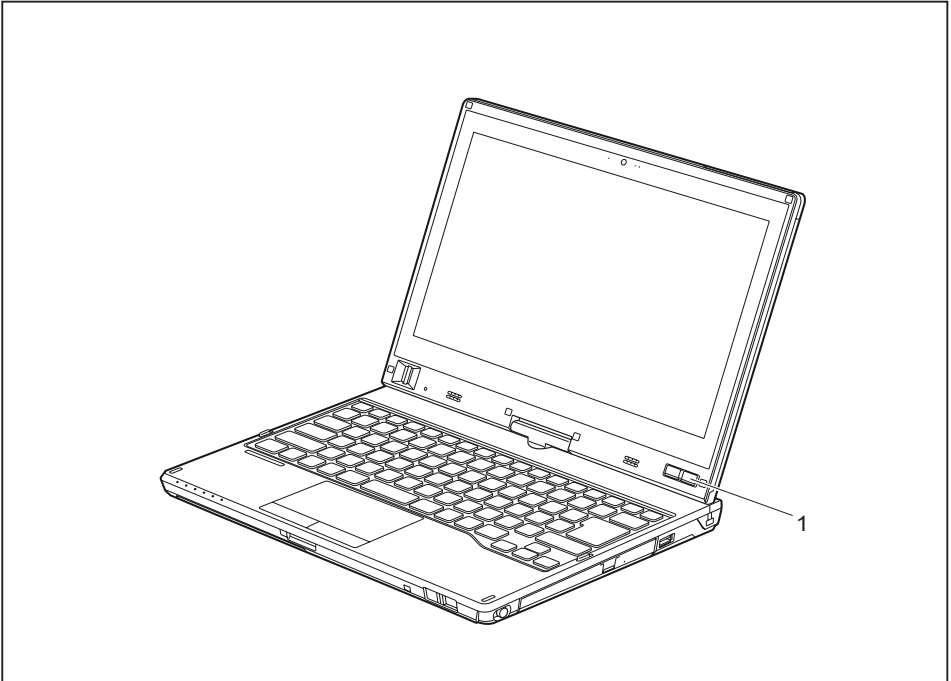
Status indicator	Description
	<p><b>Power-on indicator</b></p> <ul style="list-style-type: none"> <li>The indicator is illuminated: The notebook is switched on.</li> <li>The indicator flashes: The notebook is in sleep mode (Save-to-RAM).</li> <li>The indicator is not lit up: The notebook is switched off or the notebook is in Save-to-Disk mode.</li> </ul>
	<p><b>Battery charging indicator</b></p> <p>The battery charging indicator shows whether a battery is installed and being charged.</p>
	<p><b>Battery indicator</b></p> <p>This description applies for both batteries.</p> <p>The battery indicator shows the battery charging level of the two installed batteries.</p> <ul style="list-style-type: none"> <li>The indicator light is green: The battery is between 51 % and 100 % charged.</li> <li>The indicator light is orange: The battery is between 13% and 50% charged.</li> <li>The indicator lights up red: The battery is between 0 % and 12 % charged.</li> <li>The indicator is flashing orange: The battery charging level is being checked (for four seconds after battery installation).</li> <li>The indicator is flashing red: The battery is faulty.</li> <li>The indicator is not lit up: There is no battery installed.</li> </ul> <p>Note: You can also check the battery charging level directly on the main battery.</p>
	<p><b>Drive indicator</b></p> <p>The indicator is illuminated: The hard disk drive or the CD/DVD in the optical drive of the notebook is being accessed.</p>
	<p><b>Wireless indicator</b></p> <ul style="list-style-type: none"> <li>The indicator is illuminated: The wireless components are switched on.</li> <li>Indicator is off: The wireless components are switched off.</li> </ul>
	<p><b>Num Lock indicator</b></p> <p>The indicator is illuminated: The <b>[Num Lock]</b> key has been pressed. The virtual numeric keypad has been activated. You can output the characters indicated on the upper right of the keys.</p>
	<p><b>Caps Lock indicator</b></p> <p>The indicator is illuminated: The Caps Lock key has been pressed. All characters are displayed in upper case. In the case of overlay keys, the character printed on the upper left of the key will appear when that key is pressed.</p>
	<p><b>Scroll Lock indicator</b></p> <p>The indicator is illuminated: The key combination <b>[FN] + [Scroll Lock]</b> has been pressed. The effect that this key has varies between applications.</p>

## Opening the notebook



- ▶ Fold the LCD screen upwards.

## Switching on the notebook



- ▶ Slide the ON/OFF button (1) to the right to switch on the notebook.
- ↳ The ON/OFF button returns automatically to its original position.  
The power-on indicator lights up.

## Programing the ON/OFF button

You can program the ON/OFF button:

Operating system	Menu
Windows 8.1	<i>Windows 8.1 Desktop - Control Panel - Hardware and Sound - Power Options</i>



If you have assigned a password, you must enter this when requested to do so, in order to start the operating system. Detailed information can be found in the chapter ["Security functions", Page 70.](#)

## Different ways to use your notebook

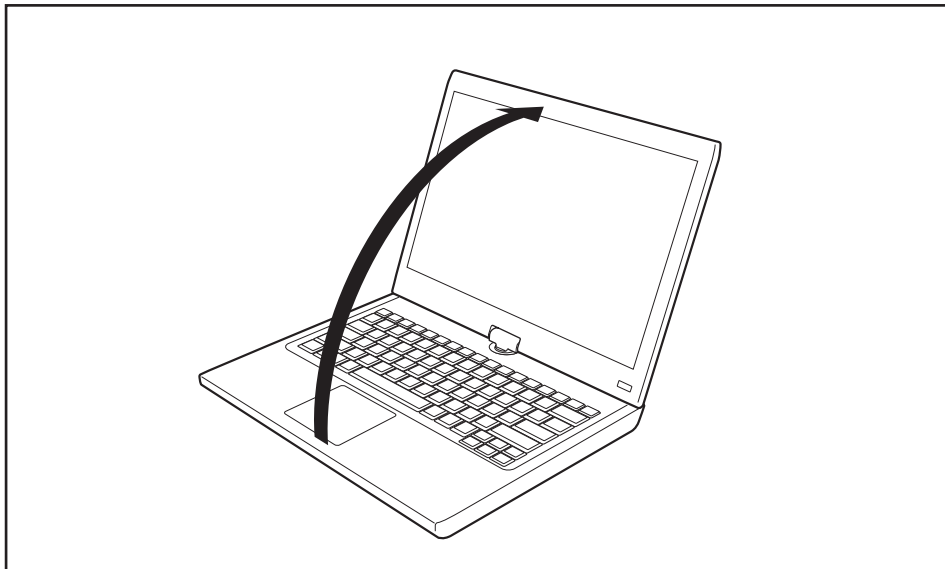
During your daily work, you can use your notebook as a tablet PC or as a notebook, just as you wish.



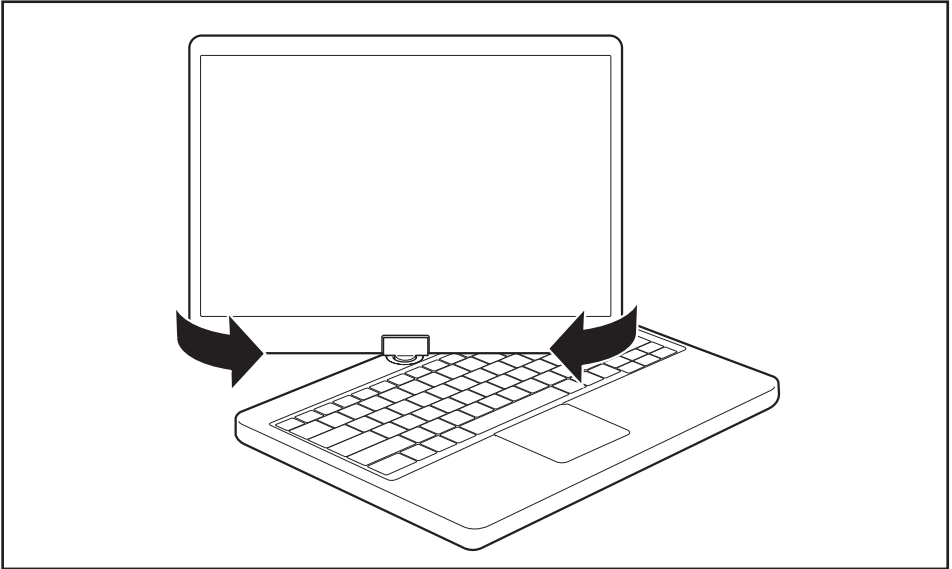
Note the direction of rotation in the following description! No guarantee claims can be met for damage caused by turning in the wrong direction.

You must note that the screen cannot be turned completely on its own axis!

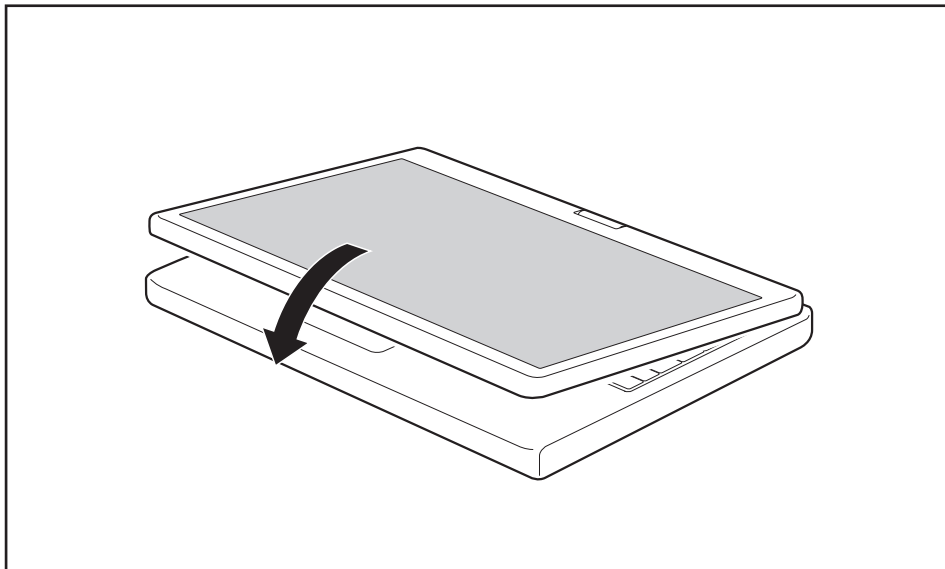
### From notebook to Tablet PC



- ▶ Raise the LCD screen into a vertical position.



- ▶ Hold the screen as low as possible on both sides. Turn the screen to the left or right in the direction of the arrow. At first you will feel some slight resistance, then the screen will turn easily and without friction.
- ▶ Turn the screen further until it has turned 180° and the hinge latches in.



- ▶ Now fold the screen down until the back of the screen is almost flat on top of the keyboard.
- ↳ The screen is now secured in the tablet position.

## Select display orientation (portrait or landscape format)

You can choose to use either portrait or landscape format for the display.



If you have a device with a wireless WAN module installed, note that while holding the system horizontally with the webcam at the bottom (tablet position and *Secondary Landscape* setting), WWAN must not be operated with the antenna open. Operating the device in this position could result in damage to the WWAN antenna.



### Windows 8.1

You can change these settings under *Windows 8.1 Desktop - Control Panel - Hardware and Sound - Windows Mobility Center / Rotate screen*.

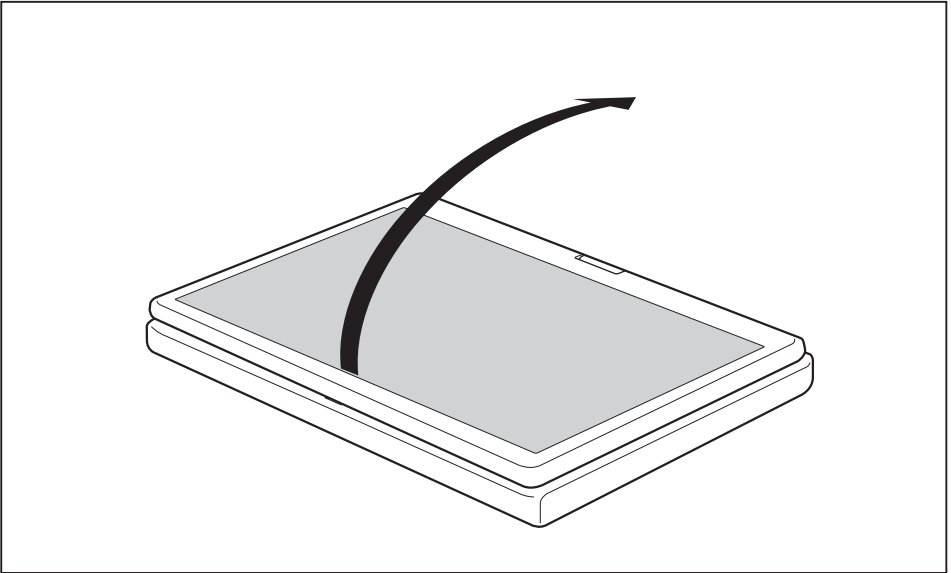
To switch off the automatic changing between portrait and landscape format, select *Control Panel - Appearance and Personalization - Display - Screen Resolution*.



In the *Fujitsu Tablet Controls* settings, profiles are saved for operation with different screen orientations. These profiles have preset standard configurations that can be modified as desired.

These settings do not just affect the monitor settings on the Tablet PC, but also on external monitors that are connected.

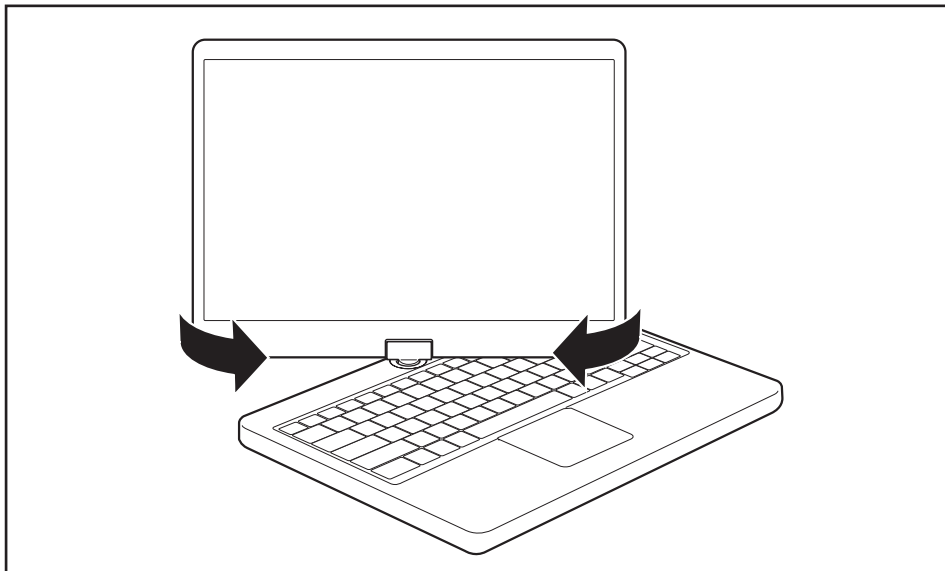
## From Tablet PC to notebook



- ▶ Raise the LCD screen into a vertical position.



Note the direction of rotation in the following description! No guarantee claims can be met for damage caused by turning in the wrong direction.



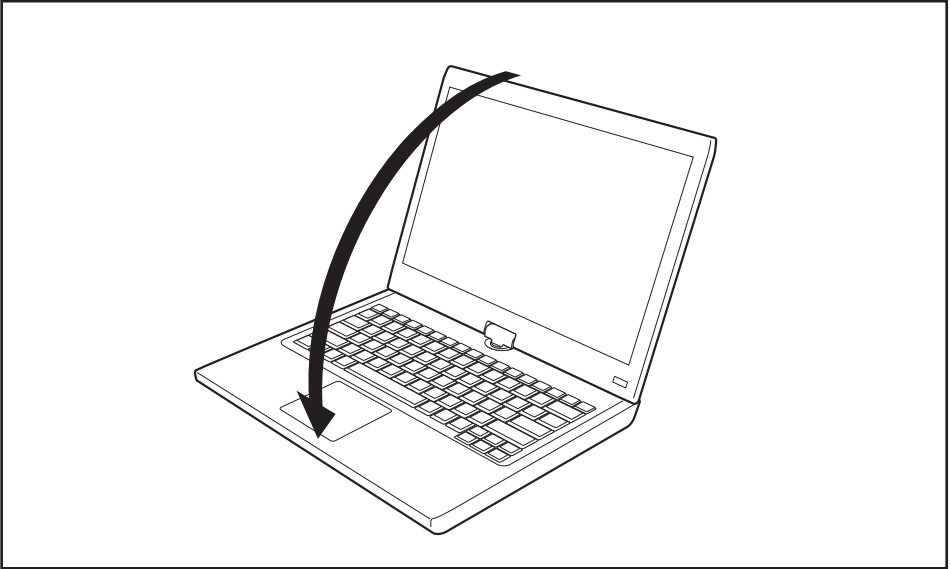
- ▶ Hold the screen as near to the bottom as possible on both sides and turn the screen in the direction indicated by the rotational direction indicator. It will turn easily and without resistance.
- ▶ Turn or move the screen further until it has turned 180° and the hinge latches in.

## Switching off the notebook

- ▶ Close all applications and then shut down the operating system (please see the "Operating System Manual").
- ▶ Slide the ON/OFF button to the right.
- ↳ The ON/OFF button returns automatically to its original position.



## Closing the notebook



- ▶ Fold the LCD screen onto the bottom part of the notebook so that it locks into place.

## Handwriting recognition

For detailed information on handwriting recognition, see the documentation for your operating system.

Under Windows 8.1 you can set the required language under *Control Panel – Time, Language and Region – Language*.

## LCD screen

High-quality LCD screens (TFT) are installed in Fujitsu notebooks. For technical reasons, these screens are manufactured for a specific resolution. An optimal, clear picture can only be ensured in the resolution intended for the particular screen. A screen resolution which differs from the specification can result in an unclear picture.

The resolution of the screen of your notebook is optimally set at the factory.

Current production technology cannot guarantee an absolutely fault-free screen display. A few isolated constantly lit or unlit pixels may be present. The maximum permitted number of such faulty pixels is specified in the international standard ISO 9241-307 (class 2).

### Example:

A screen with a resolution of 1280 x 800 has  $1280 \times 800 = 1024000$  pixels. Each pixel consists of three subpixels (red, green and blue), so there are almost 3 million subpixels in total. According to ISO 9241-307 (class 2), a maximum of 2 light and 2 dark pixels and in addition 5 light or 10 dark subpixels or an equivalent mix (1 light subpixel counts as 2 dark subpixels) are allowed to be defective.

At a resolution of  $1600 \times 900 = 1440000$  pixels, a maximum of 3 light and 3 dark pixels and in addition 7 light or 14 dark subpixels are allowed to be defective.

Pixel	A pixel consists of 3 subpixels, normally red, green and blue. A pixel is the smallest element that can be generated by complete functionality of the display.
Subpixel	A subpixel is a separately addressable internal structure within a pixel that enhances the pixel function.
Cluster	A cluster contains two or more defective pixels or subpixels in a 5 x 5 pixel block.

### Background lighting

LCD screens are operated with background lighting. The luminosity of the background lighting can decrease during the period of use of the notebook. However, you can set the brightness of your monitor individually.

### Synchronizing the display on the LCD screen and an external monitor

For more information, please refer to Chapter ["Key combinations", Page 47](#) under "Switching between screen output".

## Ambient light sensor

If your notebook was shipped with a *Windows* operating system, the screen brightness is regulated by the ambient light sensor and is dependent on the particular light conditions. This results in optimum readability and longer battery life at the same time.

## Using a device as a tablet PC

You can execute commands as follows:

- using the stylus (supplied with your device).
- using your finger

## Using fingers

You can execute certain commands by using your finger tip on the touchscreen of your device.



Alternatively, everything which you can select or activate using your finger tip can also be selected or activated using the stylus.

### Calibrate the Dual Digitizer for finger-based operation of the device.

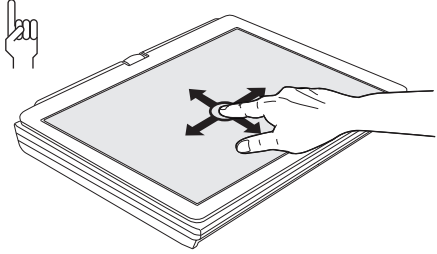
To adjust the sensitivity of the screen when using the stylus or your finger:

- ▶ Swipe from the right edge of the screen towards the middle and tap *Search*.

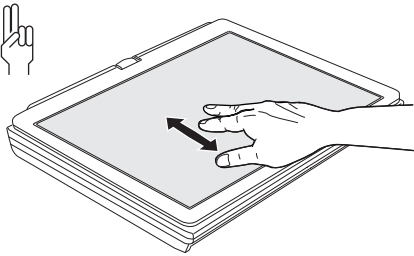
or

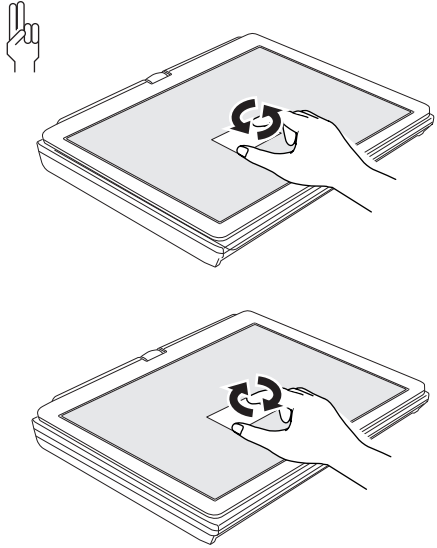
- ▶ When using a mouse, point to the top right corner on the screen, move the pointer downwards and then click on *Search*.
- ▶ In the search field, enter *Calibrate*, and tap or click on *Calibrate screen for stylus or finger input* to open the tablet PC settings.
- ▶ Make sure that the monitor shown in the *Display* field corresponds to the screen that you want to calibrate.
- ▶ Tap or click on *Calibrate*, and then follow the instructions on the screen.

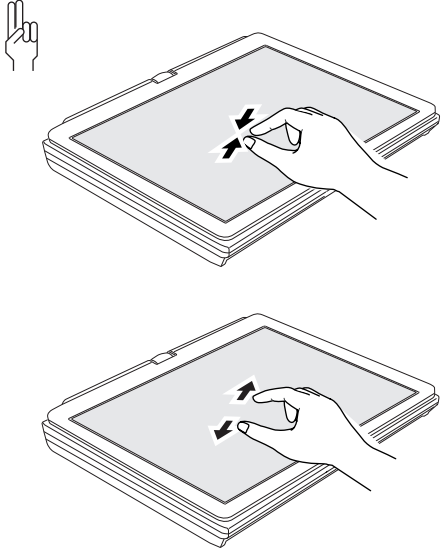
### Actions with one finger

Action	Description
Selecting objects (click with the left mouse button)	▶ Tap once briefly with the finger on the object.
Starting programs (double-click with the left mouse button)	▶ Use one finger to tap twice in quick succession on the program symbol.
Moving objects/windows (while holding the left mouse button pressed, drag & drop)	 <p data-bbox="565 654 980 750">▶ Place a finger on the object/window, keep your fingertip pressed against the touchscreen and move the desired object/window.</p>
Opening a context menu (click with the right mouse button)	<p data-bbox="565 758 991 837">▶ Tap on the desired item with your finger. Keep your fingertip pressed against the touchscreen.</p> <p data-bbox="565 837 828 861">The context menu appears.</p>
Moving the cursor	▶ Position one finger on the touchscreen and move the finger in the desired direction.

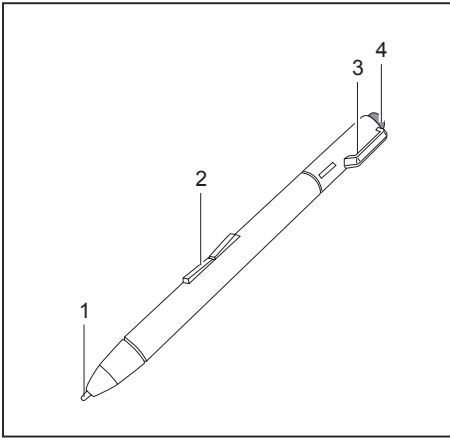
**Actions using two fingers**

<b>Action</b>	<b>Description</b>
Scrolling	 <ul style="list-style-type: none"><li>▶ Place two fingers on the touchscreen.</li><li>▶ Move the fingers up to scroll up.</li></ul> or <ul style="list-style-type: none"><li>▶ Move the fingers down to scroll down.</li></ul>

Action	Description
Rotating	 <p>► Position your thumb on the touchscreen and rotate the image clockwise or anticlockwise using your index finger.</p>

Action	Description
Increase or decrease view	 <ul style="list-style-type: none"><li>▶ Put two fingers on the touch screen and move them apart to increase the size of the view.</li></ul> or <ul style="list-style-type: none"><li>▶ Put two fingers on the touch screen and move them together to decrease the size of the view.</li></ul>
Lock context-sensitive menus	<ul style="list-style-type: none"><li>▶ Use two fingers to tap twice in quick succession on the touch screen.</li></ul>

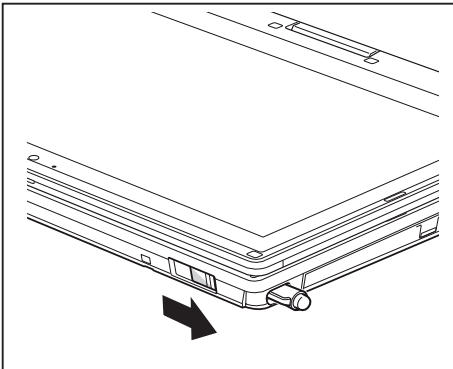
## Using the stylus (for Dual Digitizer models only)



- 1 = stylus tip
- 2 = rocker button
- 3 = eyelet for stylus tether
- 4 = eraser

You can use the stylus on your notebook as an electronic writing implement to select items and to navigate through menu options and programs. Programs that support handwriting recognition also allow you to write characters directly on the screen with the pen. You can also use the stylus as a drawing tool.

The notebook stylus is retained securely in the stylus slot. This ensures that the stylus cannot be lost, regardless of whether you use the notebook as a Tablet PC or as a notebook, or transport it while traveling. Always replace the stylus in its slot when you are not using it. To remove from the stylus slot, slide the removal button for the stylus to the front of the device to the right.



The notebook is supplied with a stylus tether which you can attach to the eyelets on the stylus and on the notebook.





Only use the stylus provided with your notebook. Do not use substitute stylus tips that were not specially designed for your notebook. Replace the stylus tip if it is worn. The warranty does not cover a scratched screen.

While writing, you should take care that you do not scratch the surface of the display (e.g. with a wristwatch or bracelet).



The stylus of your notebook is an electronic instrument which can be damaged if used improperly. Handle the stylus with care.

Our recommendations for proper handling of the stylus are as follows:

- Do not gesture with the stylus.
- Do not use the stylus as a pointer.
- Never use the stylus on any other surface than the screen of your notebook.
- Do not try to turn the grip of the stylus. The thumb grip is used to place the stylus in its slot and to take it out of the slot.
- Never store the stylus with its weight on the tip (e.g. with the tip down in a stylus container). If the stylus is stored with the tip pointing down, this may have an adverse effect on the stylus mechanism (particularly under high temperatures). In this case the stylus tip may react as though it is constantly being pressed down. To avoid damage, the stylus should be stored in the stylus slot when not in use.

The stylus can be influenced by electromagnetic fields (cursor quivers or jumps). There may be a few areas on the screen where the cursor quivers slightly in spite of pressing the stylus down firmly.

The screen responds to entries made with the tip of the finger or the stylus when the tip of the finger or the stylus directly touches the screen.

You can use the stylus to perform all functions for which you would otherwise use a mouse. In addition, you can conveniently delete hand-written stylus entries using the pen.

Action	Mouse	Stylus
Selecting menu items	Click with the left mouse button.	Tap on the menu entry with the tip of the stylus.
Starting programs	Double-click with the left mouse button.	Tap on the program symbol twice in rapid succession using the stylus tip.
Moving objects/windows	Drag with the left mouse button pressed.	Place the stylus tip directly on the object or window. Keep the stylus tip held against the screen. Drag the desired object or window.
Opening a context menu	Click with the right mouse button.	Tap the desired item with the stylus and leave the stylus on the item for a moment.
Moving the cursor	-	Place the tip of the stylus directly on the screen.

## Adjusting the stylus

Operating system	Menu
Windows 8.1	Under <i>Windows 8.1 Desktop - Control Panel - Hardware and Sound - Pen and Touch Input</i> you can make various settings for the stylus (assignment and function of the stylus button).

## Calibrating the stylus

If Windows 8.1 is installed on your Tablet PC, your Tablet PC is already calibrated at initial setup.

If a different operating system is installed on your Tablet PC, you must calibrate it with the stylus before first use, so that it recognizes the stylus as accurately as possible.

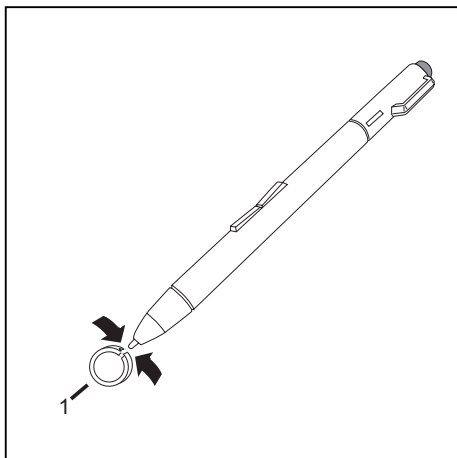
You should also always repeat the calibration if the co-ordination between the stylus and the cursor movement deteriorates.

Operating system	Menu
Windows 8.1 Desktop	To calibrate, run the <i>Hardware and Sound / Tablet PC Settings</i> function in the Control Panel. You need to calibrate both portrait and landscape formats.

## Replacing the stylus tip

With use, the stylus tip may become worn or may pick up foreign particles that can scratch the screen. A damaged or worn tip may not move freely, causing unpredictable results when using the stylus.

If your stylus exhibits these problems, you should replace the stylus tip. To do this, use the supplied tool (1).



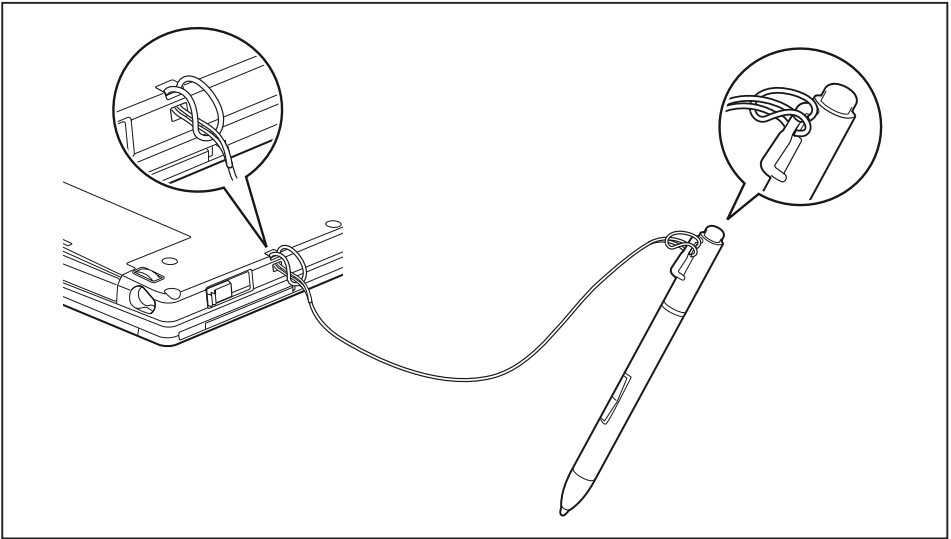
- ▶ To remove the tip, position it in the gap between the two ends of the tool supplied.
- ▶ Pinch the two ends of the supplied tool together so that the tip is firmly clasped, then pull it from the barrel.
- ▶ Replace the tip with one of the new tips that were supplied with your stylus. Insert the flat end of the tip into the barrel and exerting gentle pressure, push it in until it is firmly in place.



If the tip is worn or damaged, discard it.

## Securing a stylus tether

You can secure the stylus with a stylus tether to prevent accidentally dropping it or losing it.



- ▶ Secure the end of the stylus tether with the smaller loop to your stylus.
- ▶ Secure the end of the stylus tether with the larger loop to your notebook.

## Using the device as a notebook

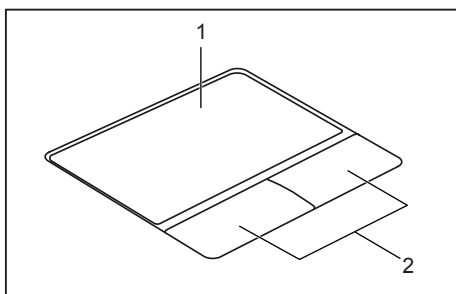
### Touchpad and touchpad buttons



Keep the touchpad clean. Protect it from dirt, liquids and grease.

Do not use the touchpad if your fingers are dirty.

Do not rest heavy objects (e.g. books) on the touchpad or the touchpad buttons.



1 = Touchpad

2 = Touchpad buttons

The touchpad enables you to move the mouse pointer on the monitor.

The touchpad buttons allow you to select and execute commands. They correspond to the buttons on a conventional mouse.



You can also deactivate the touchpad via a key combination, so that you cannot move the pointer on the monitor unintentionally (see chapter "[Key combinations](#)", [Page 47](#)).

### Moving the pointer

- ▶ Move your finger on the touchpad.
- ↳ The pointer will move.

### Selecting an item

- ▶ Move the pointer to the item you wish to select.
- ▶ Tap the touchpad once or press the left button once.
- ↳ The item is selected.

### Executing commands

- ▶ Move the pointer to the field you wish to select.
- ▶ Tap the touchpad twice or press the left button twice.
- ↳ The command is executed.

## Dragging items

- ▶ Select the desired item.
- ▶ Press and hold the left button and drag the item to the desired position with the finger on the touchpad.
- ↳ The item will be moved.

## Switching the Touchpad on and off



You can switch the Touchpad on and off using a key combination, see ["Key combinations", Page 47](#).

## Keyboard



The keyboard of your notebook is subject to continuous wear through normal use. The key markings are especially prone to wear. The key markings are liable to wear away over the life of the notebook.

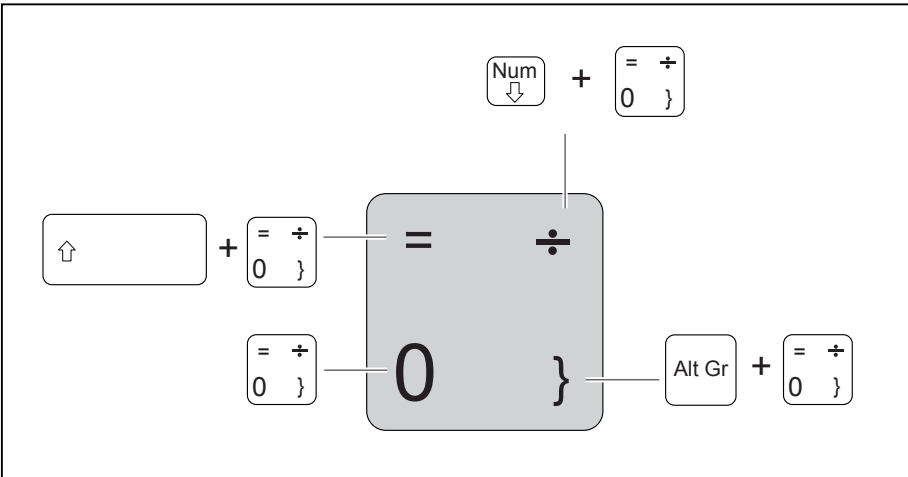
The keyboard has been designed to provide all the functions of an enhanced keyboard. Some enhanced keyboard functions are mapped with key combinations.







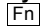
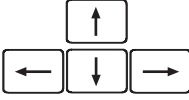


The following description of the keys applies to the Windows operating system. Additional functions supported by the keys are described in the relevant manuals supplied with your application programs.

The following illustration shows how to access the different characters on keys with overlaid functions. The example applies when the Caps Lock key has not been activated.



The illustration may differ from your device variant.



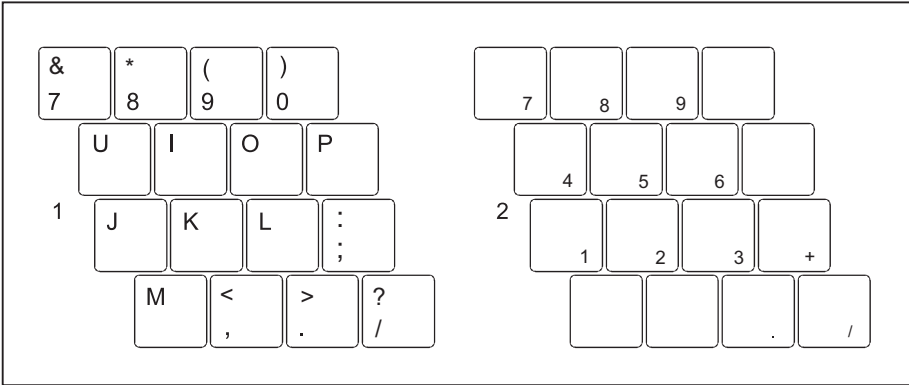
Key	Description
	<b>Backspace key</b> The Backspace key deletes the character to the left of the cursor.
	<b>Tab key</b> The Tab key moves the cursor to the next tab stop.
	<b>Enter key (return)</b> The Enter key terminates a command line. The command you have entered is executed when you press this key.
Caps Lock 	<b>Caps Lock key</b> The Caps Lock key activates uppercase mode. In Caps Lock mode, all of the characters you type appear in upper case. In the case of overlay keys, the character printed on the upper left of the key will appear when that key is pressed. To cancel the Caps Lock function, simply press the Caps Lock key again.
	<b>Shift key</b> The Shift key causes uppercase characters to appear. In the case of overlay keys, the character printed on the upper left of the key will appear when that key is pressed.
Fn 	<b>Fn key</b> The  key enables the special functions indicated on overlay keys (see <a href="#">"Key combinations", Page 47</a> ).
	<b>Cursor keys</b> The cursor keys move the cursor in the direction of the arrow, i.e. up, down, left, or right.
	<b>Windows key</b> The Windows key switches between the start screen and the last used application.
	<b>Menu key</b> The Menu key opens the menu for the active application.

## Virtual number keys

Virtual number keys are provided so that the keys of a number keypad can be used for certain applications. The virtual number keys are recognizable on the keyboard by the numbers and symbols printed in the upper right corner of each key. If you have switched on the virtual number keys, you can output the characters shown on the upper right of the keys.



The key assignment shown below may be different from the keyboard layout of your device.



1 = Character valid when the  Num key is not active

2 = Character valid when the  Num key is active

Further information about the status indicators can be found in chapter ["Status indicators", Page 22](#).

## Country and keyboard settings

- ▶ Make the country and keyboard settings as described in the documentation for your operating system.





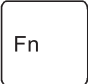



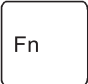





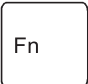



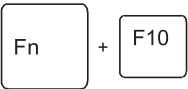
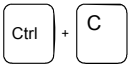
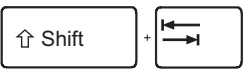
## Key combinations

The key combinations described below apply when using Microsoft Windows operating systems. Some of the following key combinations may not function in other operating systems or with certain device drivers.

Key combinations are entered as follows:

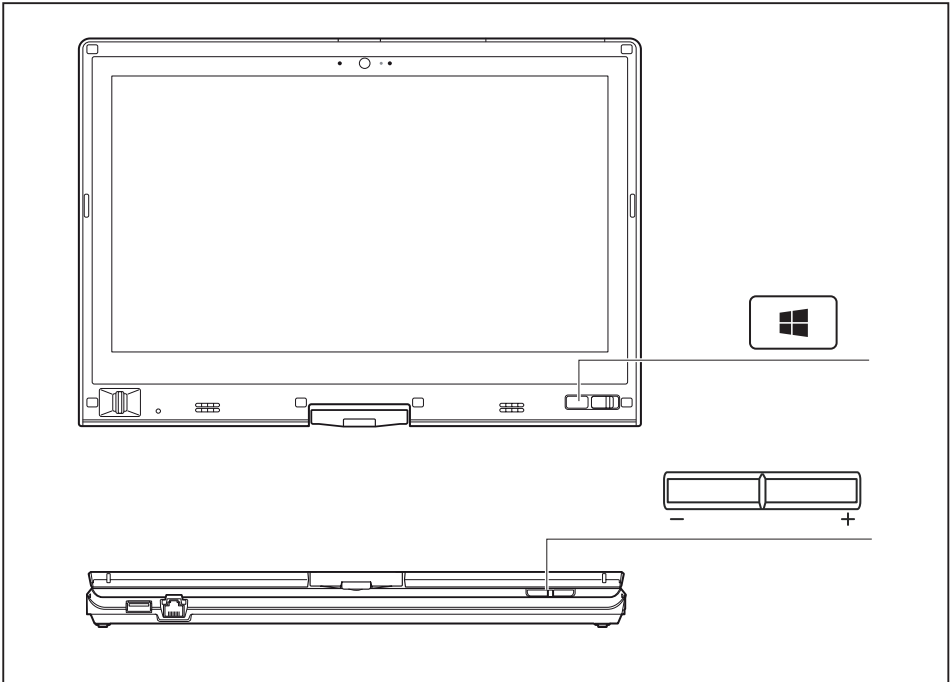
- ▶ Press the first key in the combination and keep it pressed.
- ▶ While holding the first key down, press the other key or keys in the combination.

Combination	Description
 + 	<b>Activate/deactivate keyboard backlight</b> On backlit keyboards, this key combination activates or deactivates the backlight.
 + 	<b>Switch speaker off/on</b> This key combination switches your device's integrated speakers off and on.
 + 	<b>Enable/disable touchpad</b> This key combination enables and disables the touchpad.
 + 	<b>Switch the wireless components on / off</b> This key combination switches the wireless components off or on.
 + 	<b>Decrease the screen brightness</b> This key combination decreases the brightness of the screen
 + 	<b>Increase the screen brightness</b> This key combination increases the brightness of the screen.
 + 	<b>Decrease the volume</b> This key combination reduces the volume of the internal speakers.
 + 	<b>Increase volume</b> This key combination increases the volume of the internal speakers.

Combination	Description
	<p><b>Switch between screen outputs</b></p> <p>Use this key combination to select which screen(s) is/are used for display if an external monitor is connected.</p> <p>Screen output is possible:</p> <ul style="list-style-type: none"> <li>• only on the notebook's LCD screen</li> <li>• only on the external monitor</li> <li>• both the LCD screen and the external monitor.</li> </ul> <p>Press the key combination several times to switch through all possible settings.</p> <p>It is possible to display video on two screens simultaneously, regardless of what type and number of external screens are connected.</p> <p>If you have connected two external monitors to the port replicator, the following display outputs are possible:</p> <ul style="list-style-type: none"> <li>• only on the notebook's LCD screen</li> <li>• just the external monitor (analogue)</li> <li>• both the LCD screen of the notebook and the external monitor (analogue)</li> </ul> <p>You cannot switch output to both external monitors on the port replicator via the key combination.</p>
	<p><b>Cancel current operation</b></p> <p>This key combination can be used to halt an operation instantly without clearing the keyboard buffer.</p>
	<p><b>Back tab</b></p> <p>This key combination moves the cursor back to the previous tab stop.</p>

## Tablet buttons

Your Tablet PC is fitted with three tablet buttons.



Symbol	Description	Functions
	Windows button	This button has the same function as the Windows Start key on the keyboard.  If the button is pressed in combination with the ON/OFF switch, the function is the same as for the <b>Ctrl</b> + <b>Alt</b> + <b>Del</b> key combination.
+	Volume + button	Increase volume
-	Volume - button	Decrease the volume

## Webcam

Depending on the software used, you can use your webcam to take pictures, record video clips or take part in web chats.

- The picture quality depends on the lighting conditions and the software being used.
- You can only operate the webcam with a particular application (e.g. an Internet telephony program or a video conferencing program which supports a webcam).
- When using the webcam, the notebook base must not wobble.
- The webcam automatically adjusts itself to the current light level. For this reason the LCD display may flicker while the light level is adjusted.



Further information on use of the webcam and additional settings for your webcam can be found in the help function of the program using the webcam.

## Rechargeable battery

During use as a portable, the notebook runs on its built-in battery. You can increase the service life of the battery by caring for the battery properly. The average battery service life is around 500 charge/discharge cycles.

You can extend the battery service life by taking advantage of the available energy saving functions.

## Charging, caring for and maintaining the battery

The notebook battery can only be charged if the ambient temperature is between 5°C / 41°F and a maximum of 35°C / 95°F.

You can charge the battery by connecting the notebook to the AC adapter (see "[Connecting the AC adapter](#)", Page 19).

If the battery is running low you will hear a warning alarm. If you do not connect the AC adapter within five minutes of the warning alarm described above, your notebook will automatically switch off.

### Monitoring the battery state of charge

Windows also has a "Battery charge meter" in the taskbar for monitoring the battery capacity. When you place the mouse pointer on the battery symbol, the system displays the state of charge of the battery.

### Battery storage

The battery should be stored in a dry environment at a temperature between 0°C / 32°F and 30°C / 86°F. The lower the storage temperature, the lower the rate of self-discharge.



If you will be storing batteries for a longer period (more than two months), the battery charge level should be approx. 30%. To prevent exhaustive discharge which would permanently damage the battery, check the level of charge of the battery at regular intervals.

To be able to make use of the optimum capacity of the battery, you should allow the battery to fully discharge and then recharge it.



If you will not use batteries for long periods, remove them from the notebook. Never store batteries in the device.

## Removing and installing the battery



Only use batteries approved by Fujitsu for your notebook.

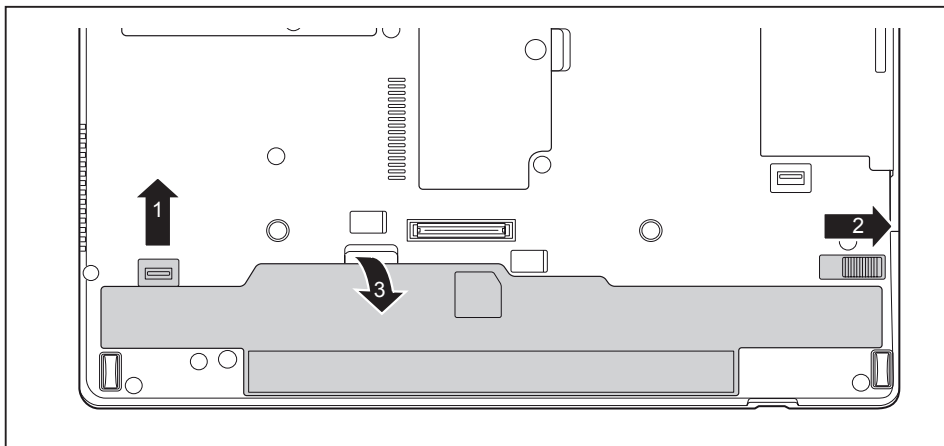
Never use force when fitting or removing a battery.

Make sure that no foreign bodies get into the battery connections.

Never store a battery for long periods in the discharged state. This can make it impossible to recharge.

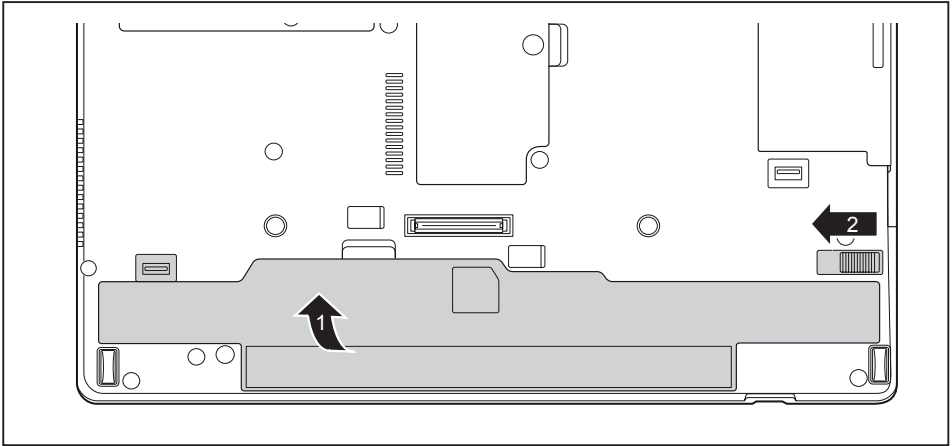
## Removing a battery

- ▶ Prepare for removal, see chapter ["Preparing to remove components", Page 85.](#)



- ▶ Slide the locking device (1) in the direction of the arrow and hold it in place.
- ▶ Slide the locking device (2) in the direction of the arrow.
- ▶ Remove the battery from the battery compartment (3).

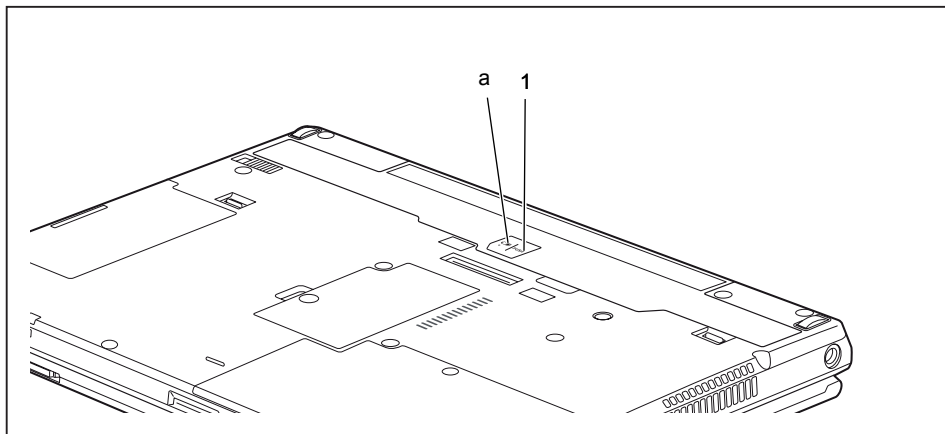
## Installing a battery



- ▶ Place the battery on the lower edge of the battery compartment.
- ▶ Push the battery into the battery compartment until you feel it engage (1).
- ▶ Slide the release latch into its locking position (2).
- ▶ Complete the removal, see chapter ["Finishing component removal", Page 91](#).

## Battery charging status indicator

You can check the charging status directly on the battery itself.



► Press the key (1).

↳ The LED (a) lights up in one of the following colors:

LED indicator	charging level
Green	The battery is charged somewhere between 50 % and 100 %.
Orange	The battery is charged somewhere between 11 % and 49 %.
Red	The battery is charged somewhere between 1 % and 10 %.
The LED is not lit	The battery is discharged.



## Modules

The design of your notebook enables the flexible use of notebook batteries and drives. The following modules can be operated in the modular bay of your notebook:

- Modular bay battery
- Optical drive
- Empty plug-in unit (weight saver)



Only use modules designed for your notebook.

Do not use force when installing or removing the module.

Make sure that no foreign objects enter the modular bay.

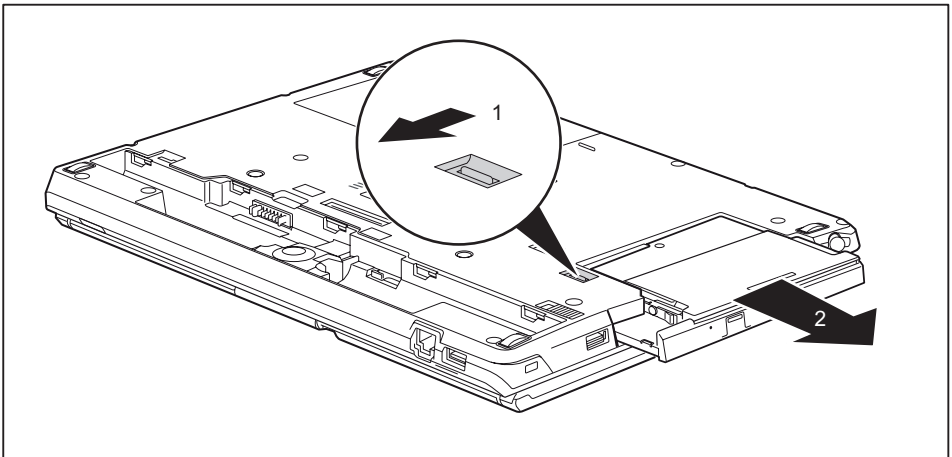


You can swap modules during operation. This means you do not need to switch off the notebook.

To replace a module, simply click on the corresponding icon in the task bar and then on *Exit* or

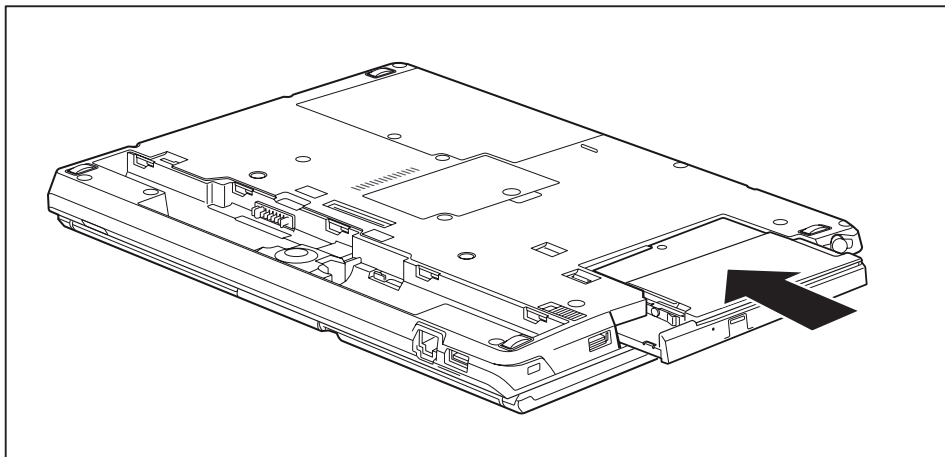
The module can now be removed without any further actions being necessary.

## Removing a modular bay device



- ▶ Slide the release mechanism (1) in the direction of the arrow and hold.
- ▶ Pull the modular bay device (2) out of the modular bay.

## Installing a modular bay device



- ▶ Place the modular bay device into the modular bay so that the contacts enter first.
- ▶ Push the modular bay device into the modular bay until you feel it lock into place.

## Optical drive



This product contains a light-emitting diode, classified in accordance with IEC 608251:2007: LASER CLASS 1, and therefore must not be opened.

## Handling optical disks

Observe the following guidelines when handling optical disks:

- Avoid touching the surface of an optical disk. Only hold the optical disk at the edge.
- Always store the optical disk in its case. This will prevent the optical disk from becoming dusty, scratched or damaged in any other way.
- Protect your optical disk against dust, mechanical vibrations and direct sunlight.
- Do not store an optical disk in areas subject to high temperatures or humidity.

You may use 8 cm / 3.15 inch or 12 cm / 4.7 inch diameter optical disks in the drive.

When using a poor quality optical disk, vibrations and read errors may occur.

## CD/DVD indicator

The CD/DVD indicator flashes when an optical disk is inserted. The indicator goes out when the drive is ready for reading. The indicator lights up when the drive is being accessed. You must never remove the optical disk under any circumstances while the indicator is lit.

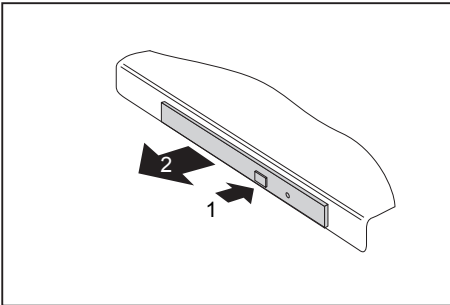


If the CD/DVD indicator does not go out after inserting an optical disk, but instead continues to flash, this means that the drive cannot access the optical disk.

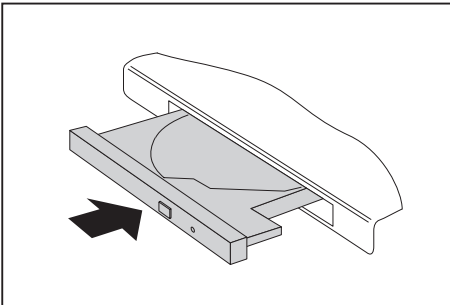
Either the optical disk is damaged or dirty or you are using an optical disk that the drive cannot read.

## Inserting or removing an optical disk

The notebook must be switched on.



- ▶ Push the insert/eject button (1).
- ↳ The drive tray will open.
- ▶ Gently pull the drive tray (2) completely out.



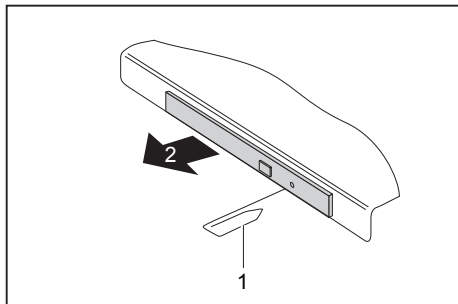
- ▶ Place the optical disk in the drive tray with the printed side facing upwards.

or

- ▶ Remove an inserted optical disk.
- ▶ Push in the drive tray again until you feel it lock into place.

## Manual removal (emergency removal)

In the event of a power failure or damage to the drive, it may be necessary to manually remove the optical disk.



- ▶ Switch your notebook off.
- ▶ Push a pen or a piece of wire (such as a paper clip) firmly into the opening (1).
- ↳ The drive tray will be ejected. You can now pull the drive tray (2) out of the drive.

## Using the energy saving functions

The notebook uses less power when the available energy-saving functions are used. You will then be able to work longer when using the battery before having to recharge it.



The energy efficiency is increased and environmental pollution is reduced. By choosing the best power options, you can make significant savings and at the same time help protect the environment.

When you fold down and close the LCD screen, depending on the setting in Windows, the notebook automatically enters a power saving mode.

**We recommend the following settings:**

Function	Operating on AC power	Operating on battery power
Turn off monitor	After 10 minutes	After 5 minutes
Turn off hard disk(s)	After 15 minutes	After 10 minutes
Energy saving (S3)	After 20 minutes	After 15 minutes
Hibernate mode (S4)	After 1 hour	After 30 minutes

- ▶ Set the energy saving functions in your Control Panel.
- ▶ Set the screen saver in your Control Panel.

or

- ▶ Right-click on the desktop. Activate the screen saver by clicking on *Personalize – Change Screen Saver*.



If you need further information about an option, you can get help with most settings by pressing **F1** to open the Microsoft Help.

**When the notebook is in energy saving mode, the following must be remembered:**



During energy saving mode, open data is held in main memory or in a swap file on the hard disk.

Never switch the notebook off while it is in an energy saving mode. If the built-in battery is nearly flat, close all open files and do not go into energy saving mode.

**If you do not intend to use your notebook for a long period of time:**

- ▶ Exit energy saving mode if necessary by moving the mouse, making an entry at the keyboard or by switching on the notebook.
- ▶ Close all opened programs and completely shut down the notebook.

## Memory cards

Your notebook is equipped with an integrated memory card reader.



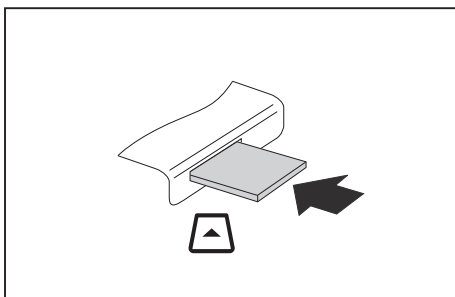
Follow the manufacturer's instructions when handling the memory cards.

### Supported format

The memory card reader supports the following format:

- Secure Digital (SD™ Card)

### Inserting the memory card

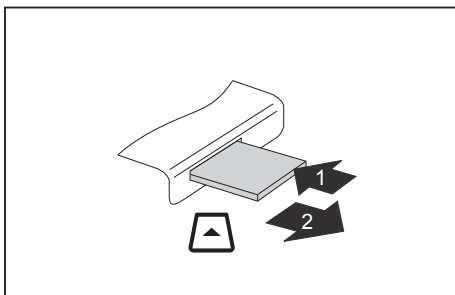


- ▶ Carefully slide the memory card into the slot. The label should be facing upward. Do not apply excessive force, as otherwise the delicate contact surfaces could be damaged.
- ↳ Depending on the particular type used, the memory card may protrude slightly from the slot.

### Removing the memory card



To avoid any loss of data, always follow the correct procedure for removing the card (see the documentation for your operating system).



- ▶ Press on the memory card (1).
- ↳ The memory card is released and can now be removed.
- ▶ Pull the memory card out of the slot (2).

## Speaker and microphone

You can find information about the exact position of speakers and microphones in chapter ["Ports and controls", Page 10](#).

Please refer to chapter ["Key combinations", Page 47](#) for information on setting the volume and also enabling/disabling the speakers using key combinations.

A square box containing a lowercase letter 'i' in a bold, serif font, which serves as an information icon.

If you attach an external microphone, the built-in microphone is disabled.

When you connect headphones or external speakers, the built-in speakers are disabled.

You can find information on connecting headphones and a microphone in chapter ["Connecting external devices", Page 78](#).

## SIM card

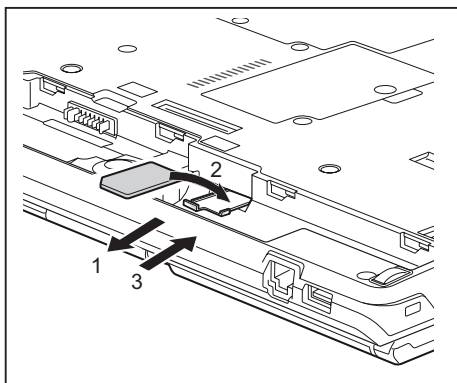
A SIM Card (Subscriber Identity Module) is a chip card which is inserted in a mobile telephone or notebook and, together with an integrated UMTS/LTE module, enables access to a mobile radio network.



Follow the instructions supplied by the provider of the SIM card.

## Inserting a SIM card

- ▶ Remove the rechargeable battery, see ["Removing a battery", Page 52.](#)



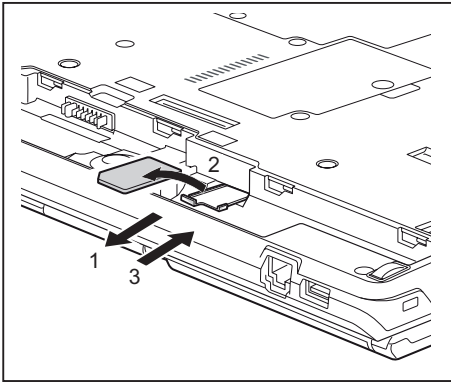
- ▶ Remove the SIM card carrier from its location (1).
- ▶ Insert the SIM card (2) in the SIM card carrier as shown symbolically on the SIM card carrier.
- ▶ Push the SIM card carrier back into its location (3).

- ▶ Install the rechargeable battery again, see ["Installing a battery", Page 53.](#)



## Removing a SIM card

- ▶ Remove the rechargeable battery, see ["Removing a battery", Page 52.](#)



- ▶ Remove the SIM card carrier from its location (1).
- ▶ Remove the SIM card from the SIM card carrier (2).
- ▶ Push the SIM card carrier back into its location (3).

- ▶ Install the rechargeable battery again, see ["Installing a battery", Page 53.](#)

## Optional wireless LAN/Bluetooth/4G radio components



The installation of radio components not approved by Fujitsu will invalidate the certifications issued for this device.



Depending on the device configuration you ordered, your device will be equipped with wireless LAN, Bluetooth or 4G.

## Switching the wireless components on and off

- ▶ Press the key combination **[Fn] + [F5]** to start the *WirelessSelector*.
- ↳ The wireless component indicator will illuminate when one or more wireless components are switched on.



The Bluetooth 4G modules and the wireless LAN transmission unit (antenna) will all be switched off when you switch off the wireless components.

Pay attention to the additional safety notes for devices with wireless components provided in the "Safety" manual.

Details on using a wireless LAN can be found in the online help system included in the wireless LAN software.

You can obtain more information on 4G from your service provider.

## Configuring WLAN access

- Requirement: A WLAN is available and you have the necessary access data to hand.



Information on configuring WLAN access can be found in the documentation for your operating system.

## Further information on WLAN and Bluetooth

For further information about WLAN or Bluetooth, please refer to the appendix of this Operating Manual.

For WLAN specifications, see chapter ["WLAN specifications", Page 105](#).

## Access via Wireless WAN



You can purchase the accessories for Wireless WAN reception from your Fujitsu dealer.

If you have ordered a Wireless WAN module, your device will already be prepared when you receive it.

You will find information on establishing the connection with the Wireless WAN network in the documentation for the hardware you plan to use.

## Access via 4G

You can order the accessories for 4G reception from your Fujitsu dealer.

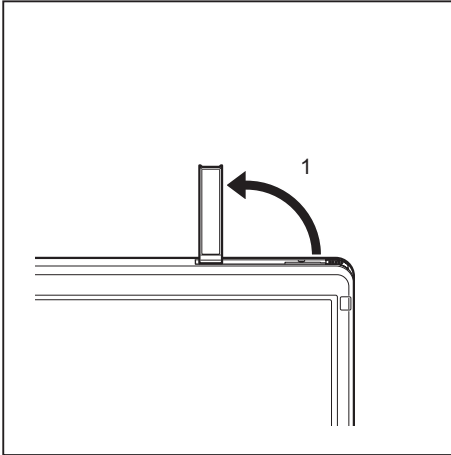
If you have ordered an integrated 4G module with your system, the 4G module is ready for use straight away.

You can find information on establishing the connection with the 4G network in the documentation for the hardware used.

## UMTS/LTE antenna



If you have a device with a wireless WAN module installed, note that while holding the system horizontally with the webcam at the bottom (tablet position and *Secondary Landscape* setting), WWAN must not be operated with the antenna open. Operating the device in this position could result in damage to the WWAN antenna.



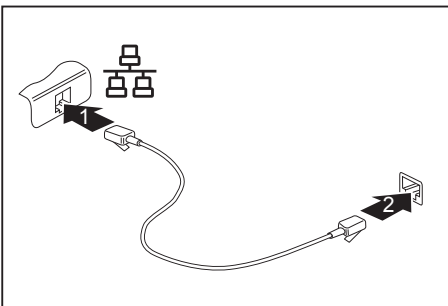
- ▶ In order to improve the UMTS/LTE signal strength, fold out the UMTS/LTE antenna in the direction of the arrow (1).



Note: When your device is in tablet mode, it should not be used in *Secondary Landscape* position with the antenna in the open position.

## Ethernet and LAN

The internal network module of your notebook supports Ethernet LAN. You can use it to establish a connection to a local network (LAN = Local Area Network).



- ▶ Connect the network cable to the LAN port of the notebook (1).
- ▶ Connect the network cable to your network connection (2).



Your network administrator can help you to configure and use the LAN connections.

The network cable is not included in the delivery scope. This type of cable can be obtained from a specialist dealer.

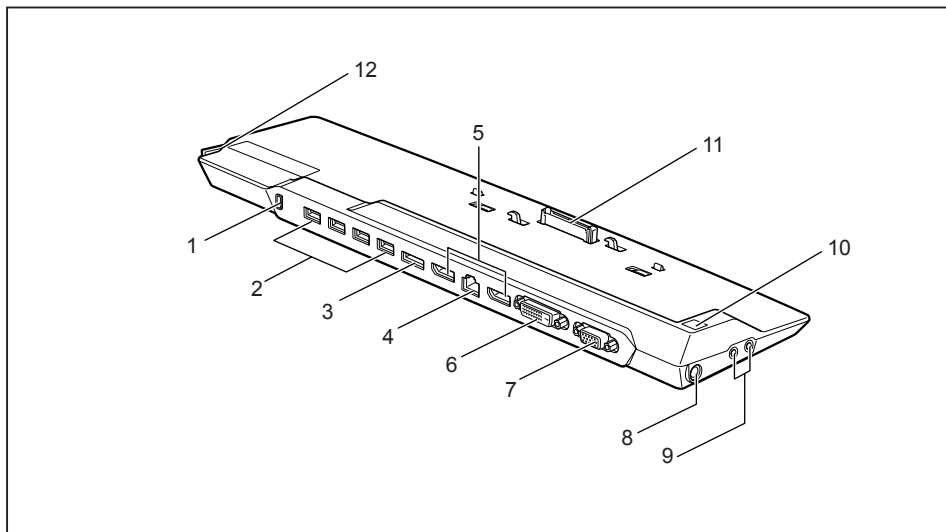
## Your port replicator (optional)

Your port replicator is a device that helps you to quickly connect your notebook to your peripheral devices, such as a monitor, printer, etc.

The features offered by the port replicator include standard ports for monitor, audio, mouse and keyboard.

You need only dock the notebook in order to work with your peripheral devices.

### Ports on the port replicator



- 1 = Security Lock device
- 2 = USB ports (USB 3.0)
- 3 = eSATA port connection
- 4 = LAN port
- 5 = Display Ports
- 6 = DVI-D monitor port

- 7 = External monitor port (VGA)
- 8 = DC input connector (DC IN)
- 9 = Headphones and microphone port
- 10 = ON/OFF button
- 11 = Connector on the port replicator for the docking port on the bottom of the notebook
- 12 = Unlocking lever



The DVI port and Display Port cannot be used at the same time.

### Multi-monitoring

You can use up to three screens with the optional port replicator and therefore bring multi-tasking to a new level. With three screens, you can for example copy content from a document on one screen into a document on a second screen and, at the same time, have your e-mails displayed

on the third screen without having to close one application in order to be able to access another application. This is the key to efficient working in today's business environment.

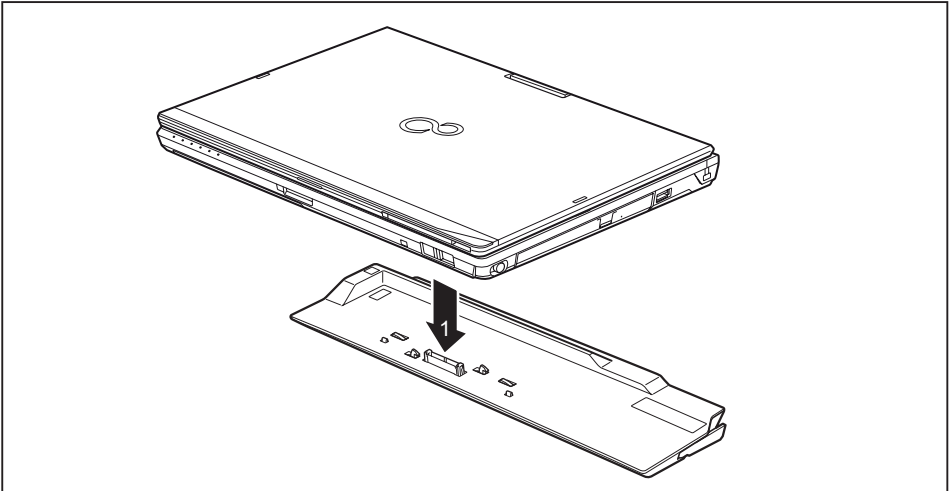
## Connecting the notebook to the port replicator

**i**

The AC adapter must be connected to the port replicator when the notebook is connected to the port replicator.

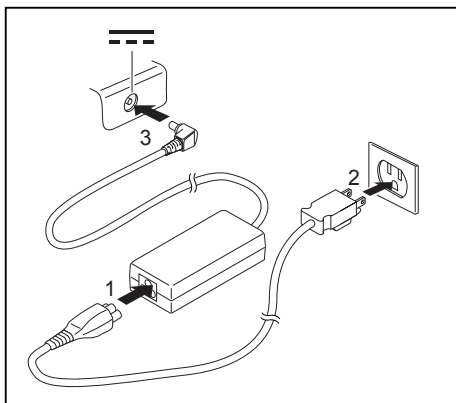
We recommend that the notebook is not operated with the LCD screen closed when the notebook is connected to the port replicator. The resulting overheating can cause reduced performance and increased activity of the integrated fan.

- ▶ Disconnect the AC adapter cable from the DC input connector (DC IN) of the notebook.



- ▶ Position the notebook so that it is in line with the back edge of the port replicator.
- ▶ Place the notebook onto the port replicator (1) and ensure that it locks into place correctly.

## Connecting the AC adapter to the port replicator

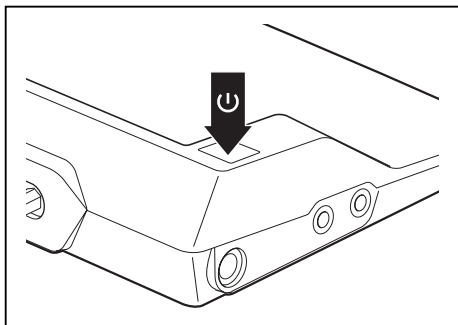


- ▶ Connect the AC cable to the AC adapter (1).
- ▶ Plug the AC cable into the power outlet (2).
- ▶ Connect the AC adapter cable to the DC jack (DC IN) of the port replicator (3).



When the notebook is connected to a port replicator, the operating system creates a hardware profile for the "Docked" mode. In this profile, for example, the monitor which was last used for output is saved as a setting. This profile will be loaded as soon as the notebook is connected to a port replicator of the same type.

## Switching on the notebook via the port replicator

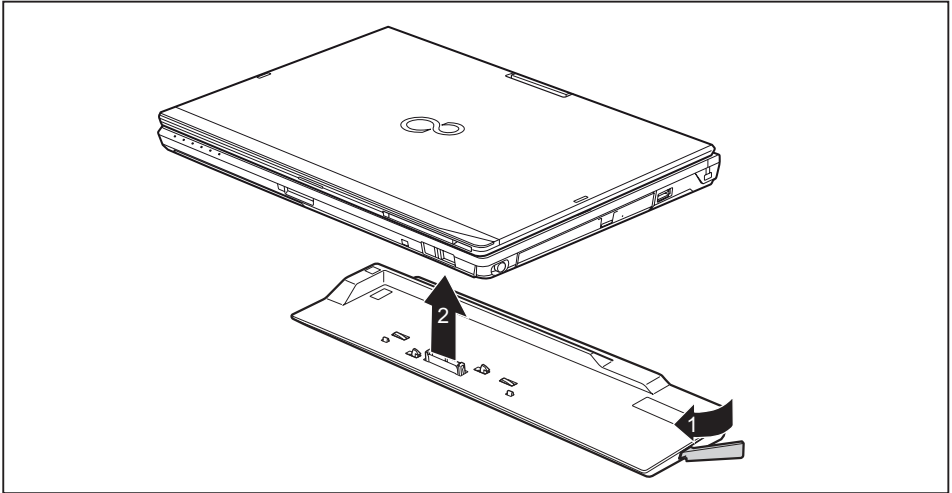


- ▶ Press the ON/OFF button on the port replicator to switch the notebook on.
- ↳ The power-on indicator of the port replicator lights up.

## Disconnecting the notebook from the port replicator



Problems may occur if the notebook is removed from the port replicator during operation. We recommend that the notebook is switched off or that the appropriate undocking function provided by the operating system is executed.



- ▶ Pull the unlocking lever in the direction of the arrow (1), until you hear the notebook unlatch.
- ▶ Lift off the notebook (2).

# Security functions

Your notebook has a variety of security functions that you can use to protect your system and your personal data from unauthorized access.

This chapter explains how to use these functions, and what the benefits are.



Please remember that in some cases, for example, forgetting your password, you may be locked out of the system and unable to access your data. Therefore, please note the following information:

- Make regular backups to external optical disks such as external hard drives, CDs, DVDs or Blu-ray Discs.
- Some security functions need you to choose passwords. Make a note of the passwords and keep them in a safe place.

If you forget your passwords you will need to contact our Service Desk. Deletion or resetting of passwords are not covered by your warranty and a charge will be made for assistance.



## Brief overview of the security functions



Detailed information about the security equipment of your system can be found in the "Professional Notebook" manual, on the "Drivers & Utilities" CD/DVD or on our website at "<http://solutions.us.fujitsu.com>".

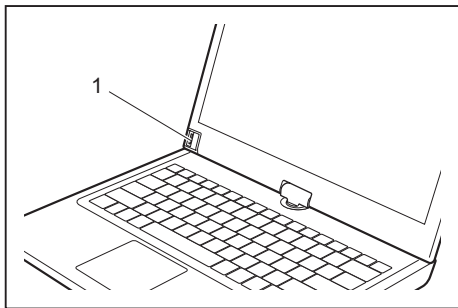
Security function	Type of protection	Preparation
Security Lock	Mechanical	Fit and lock the Kensington Lock Cable (accessory).
Fingerprint sensor (device dependent)	Biometric	Install the supplied fingerprint software.
BIOS password protection	Password protection for the <i>BIOS Setup</i> , operating system and hard disk with supervisor and user password. The passwords consist of a maximum of eight alphanumeric characters.	Specify at least one supervisor password in the <i>BIOS Setup</i> and activate the password protection for the operating system and hard disk as desired.
Boot from Removable Media	Prevents unauthorized booting of an operating system from external media (e.g. USB stick, USB CD-ROM drive, etc.).	In the BIOS Setup, go to the <i>Security</i> menu and edit the <i>Boot from Removable Media</i> option.
Owner Information	Display service desk or owner information during the boot process.	In the BIOS Setup, go to the <i>Security</i> menu and edit the <i>Owner Information</i> option.
SmartCard reader (device dependent)	PIN and SmartCard protection for the operating system	To use the SmartCard reader functions, install the supplied (or other suitable) software.
Trusted Platform Module (device dependent)	Identification and authentication of the notebook	Define a supervisor password in the <i>BIOS Setup</i> and enable the TPM ( <i>Security Chip</i> ).

## Configuring the fingerprint sensor



Whether your device has a fingerprint sensor or not depends on the device configuration which you ordered.

The fingerprint sensor can record the image of a fingerprint. With additional fingerprint software, this image can be processed and used instead of a password.



- ▶ Install the fingerprint software to be able to use the fingerprint sensor (1).



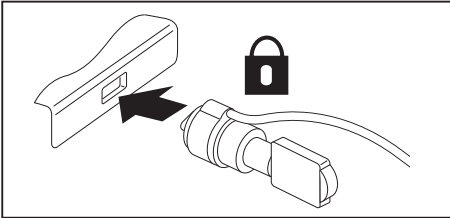
You can obtain further information on the fingerprint sensor in the "appendix: Miscellaneous Information".

## Using the Security Lock

Your device comes with a Security Lock mechanism for the Kensington Lock Cable. You can use the Kensington Lock Cable, a sturdy steel cable, to help protect your notebook from theft. The Kensington Lock Cable is available as an accessory.

**i**

Fujitsu recommends the use of a combination lock.



- ▶ Fit the Kensington Lock Cable to the mechanism on your notebook.

**i**

Attach another Kensington Lock Cable to your port replicator to protect your port replicator from theft as well.

## Configuring password protection in BIOS Setup Utility



Before using the various options for password protection in the *BIOS Setup Utility*, please proceed as follows to increase data security:

Make a note of the passwords and keep them in a safe place. If you forget your supervisor password you will not be able to access your notebook. Passwords are not covered by your warranty and a charge will be made for assistance.

**i**

Your password can be up to eight characters long and can contain letters and numbers. No distinction is made between uppercase and lowercase.

# Protecting BIOS Setup Utility (supervisor password and user password)



If you have opened these operating instructions on the screen, we recommend that you print them out. You cannot call up the instructions on the screen while you are setting up the password.

The supervisor password and the user password both prevent unauthorized use of the *BIOS Setup Utility*. The supervisor password allows you to access all of the functions of the *BIOS Setup Utility*, while the user password will only give you access to some of the functions. You can only set up a user password if a supervisor password has already been assigned.



Calling and using the *BIOS Setup Utility* is described in the chapter ["Settings in BIOS Setup Utility", Page 92](#).

## Assigning the supervisor and user passwords

- ▶ Start the *BIOS Setup Utility* and go to the *Security* menu.
- ▶ Select the *Set Supervisor Password* field and press the Enter key.
- ↳ With *Enter new Password*: you are asked to enter a password.
- ▶ Enter the password and press the Enter key.
- ↳ *Confirm new Password* requires you to confirm the password.
- ▶ Enter the password again and press the Enter key.
- ↳ *Changes have been saved* is displayed as a confirmation that the new password has been saved.
- ▶ To set the user password, select *Set User Password* and proceed exactly as when configuring the supervisor password.
- ↳ If you do not want to change any other settings, you can exit *BIOS Setup Utility*.
- ▶ In the *Exit* menu, select the option *Save Changes & Exit*.
- ▶ Select *Yes* and press the Enter key.
- ↳ The notebook is then rebooted and the new password comes into effect. It will now be necessary to first enter your supervisor or user password in order to open the *BIOS Setup Utility*. Please note that the user password only provides access to a few of the BIOS settings.

## Changing the supervisor password or user password

You can only change the supervisor password when you have logged into the *BIOS Setup Utility* with the supervisor password.

- ▶ Start the *BIOS Setup Utility* and go to the *Security* menu.
- ▶ When changing the password, proceed exactly as when assigning a password.

## Removing passwords

To remove a password (without setting a new password) perform the following steps:

- ▶ Start the *BIOS Setup Utility* and go to the *Security* menu.
- ▶ Highlight the *Set Supervisor Password* or *Set User Password* field and press the Enter key.
- ↳ You will be requested to enter the current password by the *Enter Current Password* prompt.  
*Enter New Password* will appear and you will be requested to enter a new password.
- ▶ Press the Enter key twice at this request.
- ▶ In the *Exit* menu, select the option *Save Changes & Exit*.
- ▶ Select *Yes* and press the Enter key.
- ↳ The notebook will now reboot with the password removed.  
With the supervisor password, you simultaneously deactivate the user password.

## Password protection for booting the operating system



With the supervisor password you have set in the *BIOS Setup Utility* (see section ["Assigning the supervisor and user passwords", Page 74](#)), you can also prevent booting of the operating system.

### Activating system protection

- ▶ Start the *BIOS Setup Utility* and go to the *Security* menu.
- ▶ Select the *Password on Boot* option and press the Enter key.
- ▶ Select the option you require (*Disabled*, *First Boot* or *Every Boot*) and press the enter key
- ▶ Select the *Save Changes & Exit* option under *Exit*.
- ↳ The notebook will reboot. You will be prompted to enter your password (the supervisor password).

### Deactivating system protection

- ▶ Start the *BIOS Setup Utility* and go to the *Security* menu.
- ▶ Select the *Password on Boot* option and press the Enter key.
- ▶ Select the *Disabled* option and press the Enter key.
- ↳ If you do not want to change any other settings, you can exit *BIOS Setup Utility*.
- ▶ Select the *Save Changes & Exit* option under *Exit*.
- ↳ The notebook will reboot. The system is no longer password-protected.

## Password protection for the hard disk

If a supervisor password was set, an additional password for the hard disk can be set in the *Hard Disk Security* menu.

The hard disk is protected by this password. Data on this hard disk can then only be read in another system if the correct password is entered.

## Smart Card reader

Smart Cards are not supplied as standard equipment. You can use all Smart Cards that comply with the ISO standard 7816-1, -2 or -3. These Smart Cards are available from various manufacturers.

With the appropriate software you can use your Smart Card as an alternative to password protection, but also as a digital signature, for encrypting your e-mails or for home banking.

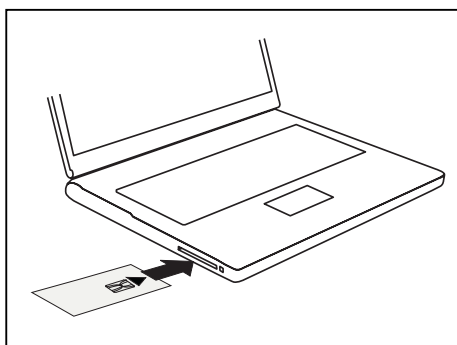
We recommend that you always use two Smart Cards. Always keep one of the Smart Cards in a safe place if you are carrying the other Smart Card with you.

## Inserting the Smart Card



Do not use force when inserting and removing the Smart Card.

Make sure that foreign objects do not fall into the Smart Card reader.



- ▶ Slide the Smart Card into the Smart Card reader with the chip facing upwards (or downwards depending on the device) and to the front.

## Trusted Platform Module - TPM (device dependent)

To use the TPM, you **must** enable the TPM in the *BIOS-Setup* before the software is installed. The requirement for this is that you have assigned at least the supervisor password (see "[Security functions](#)", [Page 70](#)).

### Enabling TPM

- Requirement: You have assigned a supervisor password (see "[Security functions](#)", [Page 70](#)).
- ▶ Call BIOS Setup and select the *Security* menu.
- ▶ Mark the *TPM Security Chip Setting* field and press the Enter key.
- ▶ Select the entry *Enabled* to enable the TPM
- ↳ Once you have enabled the TPM the *Clear Security Chip* menu item appears.  
You can clear the holder in the TPM using *Clear Security Chip*. With *Enabled*, all secret keys (e.g. SRK - Storage Root Keys, AIK - Attestation Identity Keys etc.) generated by applications are deleted.  
  
Take note that you can then no longer access the data you have encrypted on the holder-based keys!
- ▶ Select the *Exit Saving Changes* option in the Exit menu.
- ▶ Press the Enter key and select *Yes*.
- ↳ The notebook restarts and the TPM is switched on after the reboot.

### Disabling TPM

- Requirement: You have assigned a supervisor password (see "[Security functions](#)", [Page 70](#)).
- ▶ Call BIOS Setup and select the *Security* menu.
- ▶ Mark the *TPM Security Chip Setting* field and press the Enter key.
- ▶ Select the entry *Disabled* to disable the TPM.
- ▶ From the *Exit* menu, choose the option *Exit Saving Changes*.
- ▶ Press the Enter key and select *Yes*.
- ↳ The notebook will now reboot with TPM deactivated.

## Connecting external devices



Under all circumstances, please observe the safety notes provided in the ["Important notes", Page 13](#) chapter before connecting or disconnecting any devices to or from your notebook.

Always read the documentation supplied with the device you wish to connect.

Never connect or disconnect cables during a thunderstorm.

Never pull at a cable when disconnecting it. Always grasp the plug.



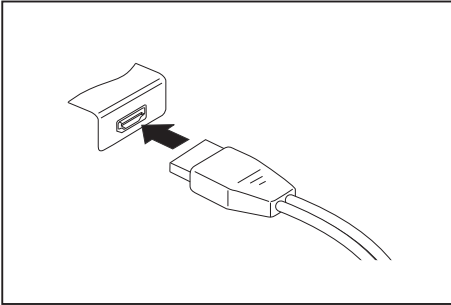
With some devices such as USB devices, it is not necessary to switch off the notebook and the device before connecting/disconnecting. For more information about whether or not devices need to be switched off, please refer to the documentation supplied with the external device.

Some of the external devices require special drivers (see the operating system and external device documentation).

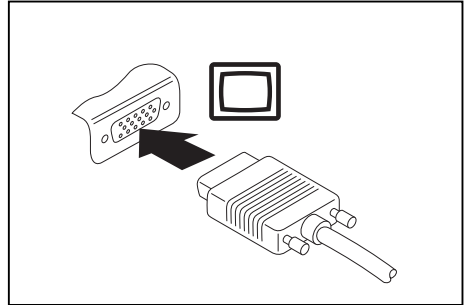


## Connecting an external monitor

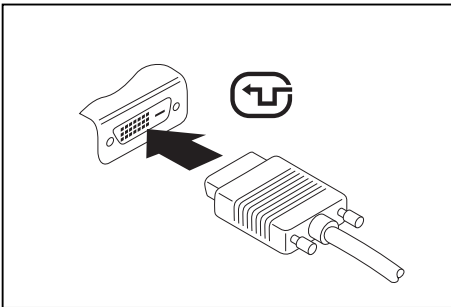
An analog monitor is connected to the analog external monitor port (VGA), a digital monitor to the Display Port or to the DVI-D monitor port on the optional port replicator. The display output is limited to a maximum of two monitors at any one time (see ["Key combinations", Page 47](#), section "Toggle display output").



Digital Display Port (on notebook or on optional port replicator)



Analog external monitor port (VGA) (on notebook or on optional port replicator)



Digital DVI-D monitor port (on optional port replicator)

- ▶ Switch off the notebook and the external monitor.
- ▶ Plug the data cable of the external monitor into the monitor port.
- ▶ First switch on the external monitor and then the notebook.

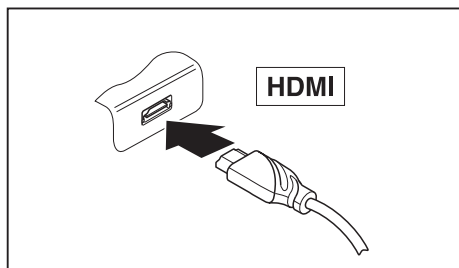


You can also switch back and forth between the external monitor and the LCD screen of the notebook, see chapter ["Key combinations", Page 47](#).

You can display the same picture on the external monitor and the notebook LCD screen simultaneously.

### HDMI port

The HDMI port on your notebook can be used to connect an external amplifier, LCD TV or a plasma TV with an HDMI connection.



- ▶ Connect the data cable to the external device.
- ▶ Connect the data cable to the HDMI port of the notebook.

### Connecting USB devices

On the USB ports you can connect external devices that also have a USB port (e.g. a DVD drive, a printer, a scanner or a modem).



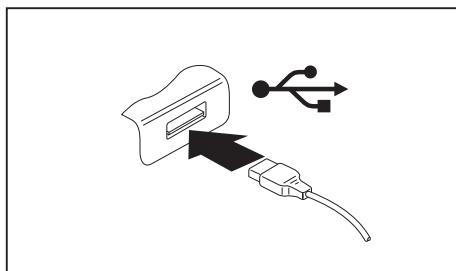
USB devices are hot-pluggable. This means you can connect and disconnect the cables of USB devices while the operating system is running.

USB 1.x has a maximum data transfer rate of 12 Mbps.

USB 2.0 has a data transfer rate of up to 480 Mbps.

USB 3.0 has a data transfer rate of up to 5 Gbps.

Additional information can be found in the documentation for the USB devices.



- ▶ Connect the data cable to the external device.
- ▶ Connect the data cable to a USB port of the notebook.



#### Device drivers

USB devices will be automatically recognized and installed by your operating system.

## USB port with charging function (Anytime USB charge)

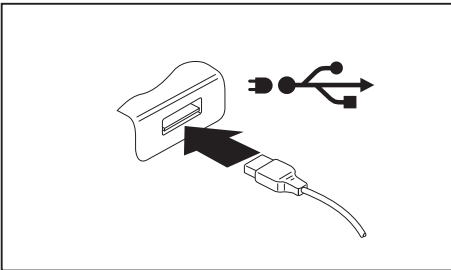


It is recommended that the notebook be operated with the AC adapter connected whenever the USB port with charging function is in use, as this function will drain the battery more quickly if an external USB device is being charged.

The AC adapter must already be connected when the notebook is switched off, as otherwise the USB charging function will be disabled and the connected USB devices will not be charged.



Some USB devices (e.g. mobile telephony) require a driver in order to utilize the USB charging function. In this case the USB charging function will not work when the notebook is switched off, as no drivers are active when the notebook is switched off.



You can use this USB port to charge or supply power to a USB device (e.g. to charge a PDA or a mobile phone or to connect a USB lamp), even if the notebook is switched off.

## Connecting an external SATA hard drive (eSATA) (port replicator only)



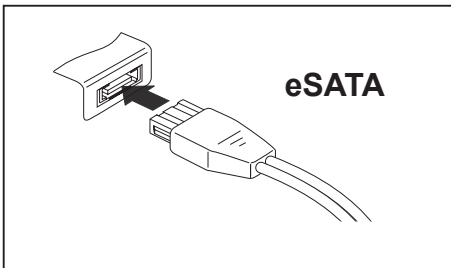
The notebook itself does not have an eSATA port. The port replicator which is available as an option for your notebook offers you this type of port.

An external SATA hard disk can be connected at the eSATA port. This allows you to expand the internal hard disk capacity as you wish.



The length of the eSATA cable must not exceed 2 meters. Seek advice from a specialty store as to which eSATA data cable is suitable for your external eSATA hard disk. Note that the hard drive has its own external power supply available.

The data transfer rate is up to 2,400 Mbps.



- ▶ Connect the data cable to the external device.
- ▶ Connect the data cable to the eSATA port.



### Device drivers

The eSATA hard disk is automatically recognized by your operating system and installed.

You will find more information in the documentation for the external SATA hard disk and the operating system.

## Safe removal of eSATA and USB devices



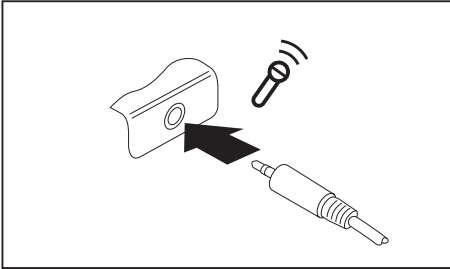
Always correctly remove the device according to the rules described below, to ensure that none of your data is lost.

- ▶ Click on the symbol for safe removal of hardware with the left mouse button.
- ▶ Select the device you wish to shut down and remove.
- ▶ Press the "Enter" key.
- ↳ Wait for the dialog box which tells you that it is now safe to remove the device.

## Connecting external audio devices

### Microphone port/Line In

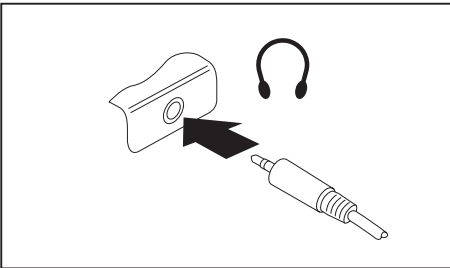
The microphone port/Line In allows you to connect an external microphone, a MiniDisc player, MP3 player, CD player or a tape deck to your notebook.



- ▶ Connect the audio cable to the external device.
- ▶ Connect the audio cable to the microphone port/Line In of the notebook.

### Headphones port

You can connect headphones or external speakers to your notebook via the headphones port.



- ▶ Connect the audio cable to the external device.
- ▶ Connect the audio cable to the headphones port of the notebook.
- ↳ The internal speakers are disabled.



If you buy a cable from a retailer, please note the following information:

The headphones port on your notebook is a "3.5 mm jack".

If you want to connect headphones or speakers you will need a "3.5 mm jack plug".

# Removing and installing components during servicing



Only qualified technicians should repair your notebook. Unauthorized opening or incorrect repair may greatly endanger the user (electric shock, fire risk) and will invalidate your warranty.

You may remove and install the components described in this chapter yourself after consulting the Hotline/Service Desk.



If you remove and install components without consulting the Hotline/Service Desk, then the warranty of your notebook will be voided.

## Notes on installing and removing boards and components

- Switch off your notebook and remove the AC plug from the power outlet.
- Always remove the battery.
- Take care when you use the locking mechanisms for the battery and any other component.
- Never use sharp objects such as screwdrivers, scissors or knives as a lever to remove covers.



Boards with electrostatic sensitive devices (ESD) are marked with the label shown.

When handling boards fitted with ESDs, you must always observe the following points:

- You must always discharge static build up (e.g. by touching a grounded object) before working with boards.
- The equipment and tools you use must be free of static charge.
- Remove the AC plug from the power outlet before inserting or removing boards.
- Always hold boards by their edges.
- Never touch connector pins or conductors on the board.

## Preparing to remove components

If you are going to remove or change system components, prepare for the removal as follows:



Please observe the safety information in chapter ["Important notes", Page 13](#).

Remove the AC plug from the power outlet!

- ▶ Switch the device off.



The device must not be in energy saving mode.

- ▶ Close the LCD screen.
- ▶ Remove all the cables from the device.
- ▶ Turn the device over and place it on a stable, flat and clean surface. If necessary, lay an anti-slip cloth on this surface to prevent the device from being scratched.
- ▶ Remove the battery, see ["Removing a battery", Page 52](#).

## Removing and installing memory expansion

If you are asked by the Hotline/Service Desk to remove or install a memory expansion module yourself, proceed as follows:



Please observe the safety information in chapter ["Important notes", Page 13](#).

During installation/removal of memory modules, the battery must remain removed from the notebook and the notebook must not be connected to the AC adapter, see ["Preparing to remove components", Page 85](#).

Only use memory modules that have been approved for use in your notebook (see chapter ["Technical data", Page 104](#)).

Never use force when installing or removing a memory module.

Make sure that no foreign objects fall into the memory upgrade compartment.

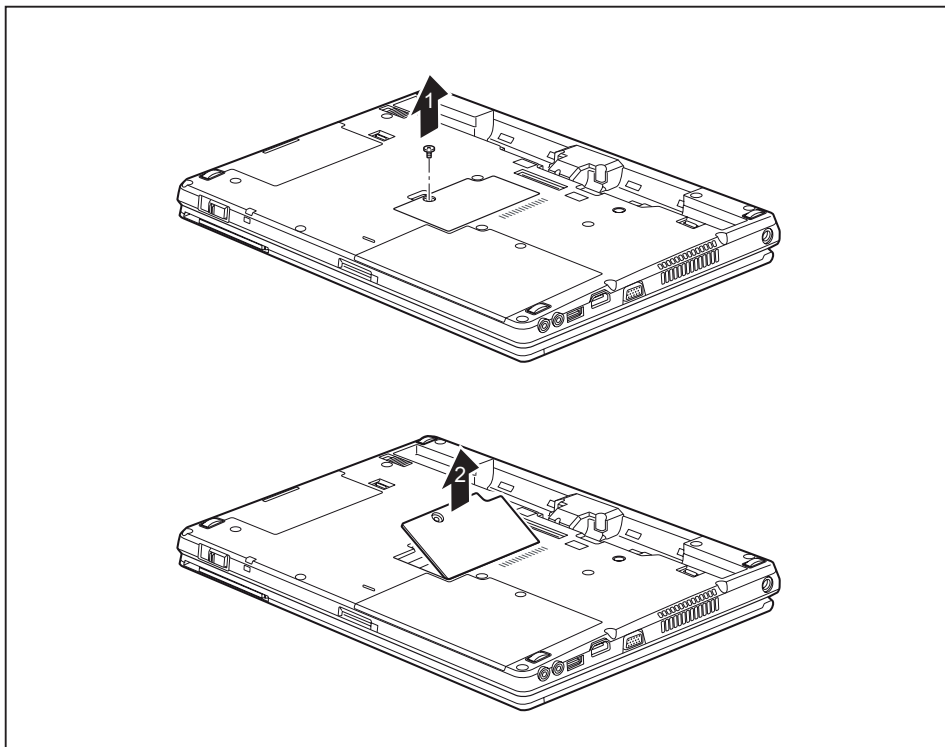
You must open the memory upgrade compartment to remove or install a memory module. On some devices, it is possible that opening the compartment exposes various components. Only authorized specialists are permitted to remove or change these components. Therefore, be sure to observe the following:



Individual components can become very hot during operation. Therefore, we recommend that you wait one hour after switching the notebook off before removing or installing memory modules. Otherwise, there is a risk of suffering burns!

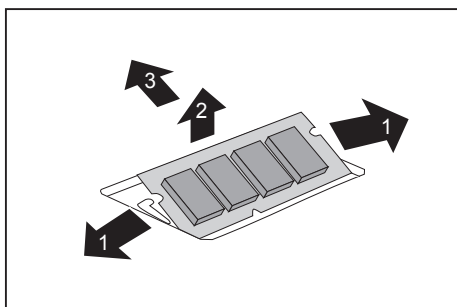
As some components are exposed that are sensitive to static electricity, please take note of chapter ["Notes on installing and removing boards and components", Page 84](#).

## Remove the cover



- ▶ Remove the screw (1).
- ▶ Lift the cover off the notebook in the direction of the arrow (2).

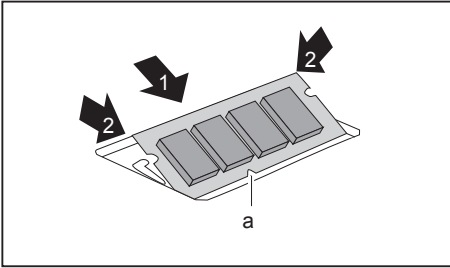
## Removing a memory module



- ▶ Carefully push the two mounting clips outwards (1).
- ↳ The memory module will fold upwards (2).
- ▶ Pull the memory module out of its slot in the direction of the arrow (3).

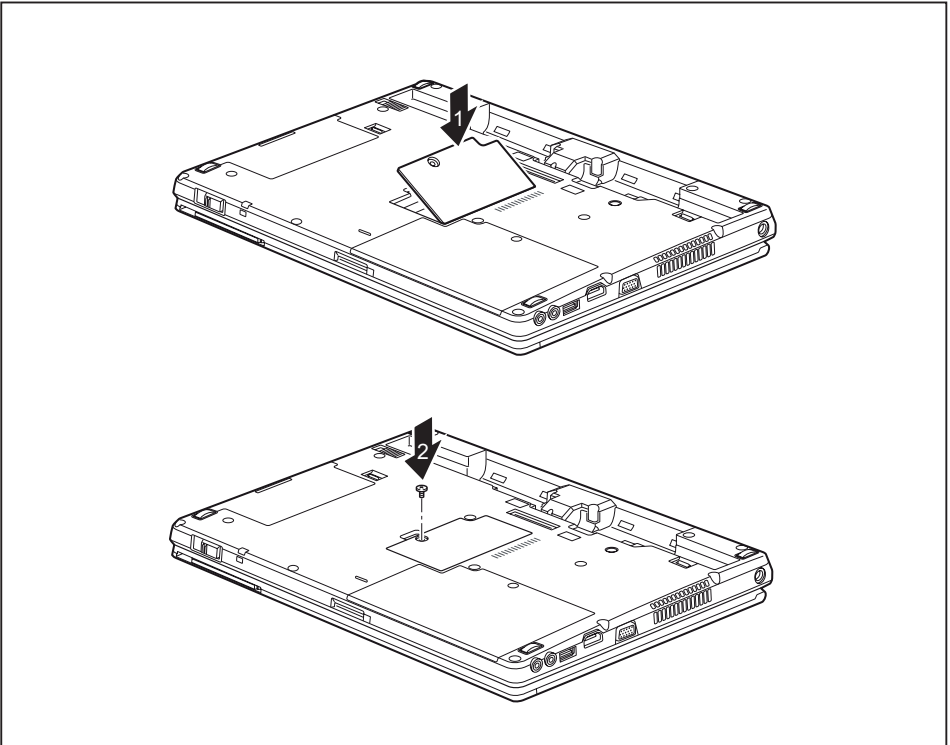


## Installing a memory module



- ▶ Insert the memory module with the contacts and the recess (a) forward in the slot (1).
- ▶ Carefully push the memory module downwards until you feel it click into place (2).

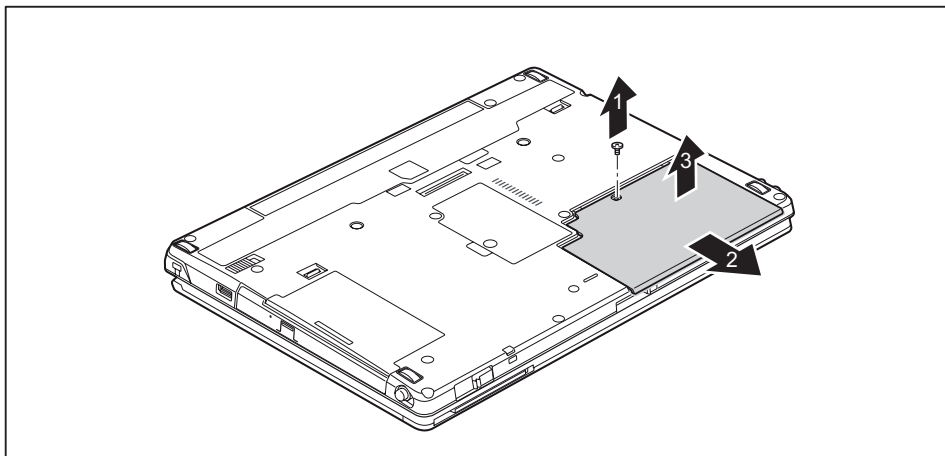
## Attaching the cover



- ▶ Place the cover into position, following the direction of the arrow (1).
- ▶ Fasten the cover in place with the screw (2).

## Removing and installing the hard disk

### Remove the cover



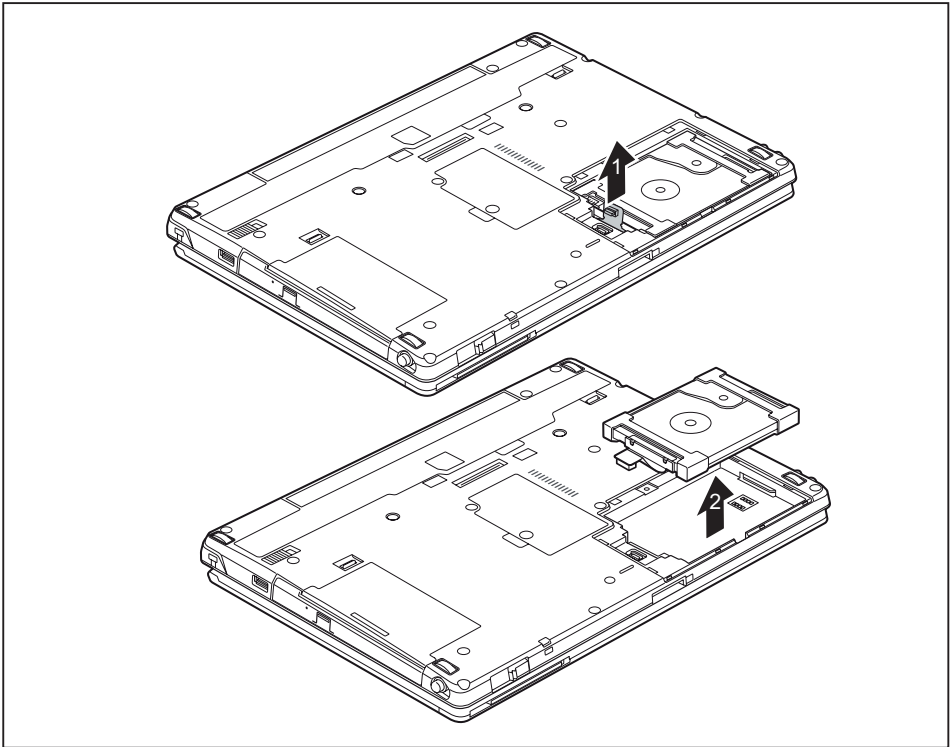
- ▶ Remove the screw (1).



Keep the screw in a safe place. If you are removing more than one component at the same time, store the screws for the individual components separate from each other. If you install the wrong screws, components may be damaged.

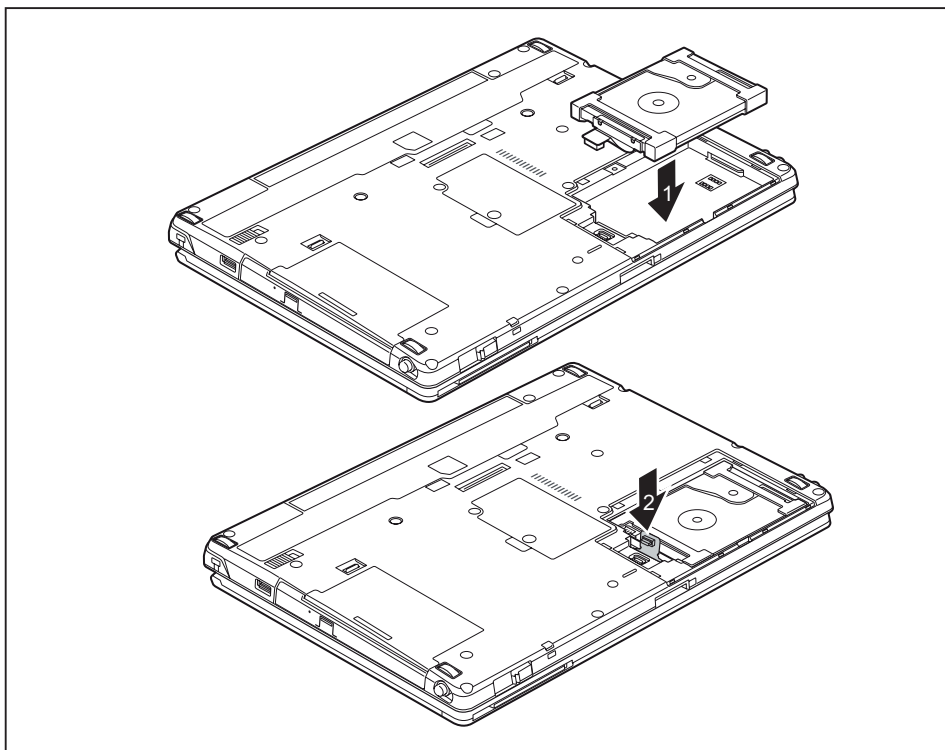
- ▶ Slide the cover in direction of the arrow (2).
- ▶ Lift the cover off the notebook (3).

## Removing the hard disk



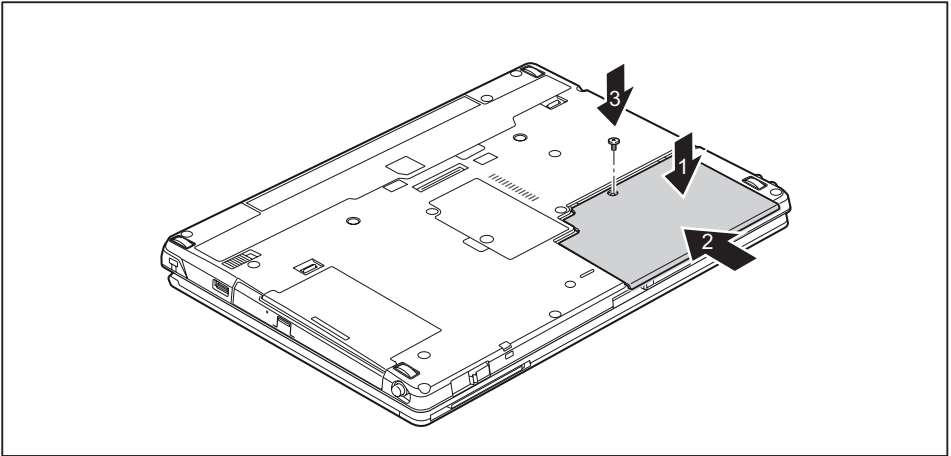
- ▶ Unfasten the hard disk fastening (1).
- ▶ Remove the hard disk from the hard disk compartment (2).

## Installing a hard disk



- ▶ Place the hard disk into the hard disk compartment (1).
- ▶ Attach the hard disk fixing (2).

## Attaching the cover



- ▶ Place the cover in the correct location (1).
- ▶ Slide the cover in the direction of the arrow (2).
- ▶ Tighten the screw (3).

## Finishing component removal

After you have removed or changed the system components as required, please prepare your device for operation again as follows:

- ▶ Install the battery again, see ["Installing a battery", Page 53](#).
- ▶ Turn the notebook the right way up again and place it on a flat surface.
- ▶ Reconnect the cables that were previously disconnected.

# Settings in BIOS Setup Utility

The *BIOS Setup Utility* allows you to set the system functions and the hardware configuration for the notebook.

When a notebook is delivered, the factory default settings are effective. You can change these settings in the menus of the *BIOS Setup Utility*. Any changes you make take effect as soon as you save and exit the *BIOS Setup Utility*.

The *BIOS Setup Utility* program contains the following menus:

<i>About</i>	Displays information relating to the BIOS, processor and notebook
<i>System</i>	Advanced system settings
<i>Advanced</i>	Configuration of various hardware components, such as mouse, keyboard, processor
<i>Security</i>	Password settings and security functions
<i>Boot</i>	Configuration of the start-up sequence
<i>Exit</i>	Exits the <i>BIOS Setup Utility</i>

## Starting the BIOS Setup Utility

- ▶ Reboot the device (switch off/on or reboot the operating system).
- ↳ Depending on the *BIOS Setup Utility* setting for *Fast Boot* the following message may appear on the screen at start-up:  
<F2> BIOS Setup <F12> Boot Menu
- ▶ Press the function key **F2**.
- ▶ If a password has been assigned, enter the password and press the Enter key.



If you have forgotten the password, contact your system administrator or contact our customer service center.

The *BIOS Setup Utility* starts.

## BIOS Setup Utility operation



Press the **F1** key to display help about operation of the *BIOS Setup Utility*. The description of the individual settings is shown in the right-hand window of the *BIOS Setup Utility*.

With the **F9** key you can load the default settings of the *BIOS Setup Utility*.

- ▶ Use the cursor keys **←** or **→** to select the menu you wish to access to make changes.  
↳ The menu is displayed on the screen.
- ▶ Select the option you want to change with the cursor keys **↑** or **↓**.
- ▶ Press the "Enter" key.
- ▶ Press the **ESC** key to exit the selected menu.
- ▶ For future reference, make a note of the changes you have made (for example, in this manual).

## Exiting BIOS Setup Utility

You need to select the desired option in the *Exit* menu and activate it by pressing the Enter key:

### Exit Saving Changes - save changes and exit BIOS Setup Utility

- ▶ To save the current menu settings and exit the *BIOS Setup Utility*, select *Exit Saving Changes* and *Yes*.
- ↳ The notebook is rebooted and the new settings come into effect.

### Exit Discarding Changes - Reject changes and exit BIOS Setup Utility

- ▶ To discard the changes, select *Exit Discarding Changes* and *Yes*.
- ↳ The settings in place when *BIOS Setup Utility* was called remain effective. *BIOS Setup Utility* is terminated and the notebook is rebooted.

### Load Setup Defaults – load default values

- ▶ To copy the standard entries for all menus of the *BIOS Setup Utility*, choose *Load Setup Defaults* and *Yes*.

### Discard Changes - Discard Changes without exiting BIOS Setup Utility

- ▶ To discard the changes you have made, select *Discard Changes* and *Yes*.
- ↳ The settings in place when *BIOS Setup Utility* was called remain effective. You can now make additional settings in the *BIOS Setup Utility*.
- ▶ If you want to exit the *BIOS Setup Utility* with these settings, select *Exit Saving Changes* and *Yes*.

### Save Changes - save changes without exiting the BIOS Setup Utility

- ▶ To save the changes, select *Save Changes* and *Yes*.
- ↳ The changes are saved. You can now make additional settings in the BIOS Setup Utility.
- ▶ If you want to exit BIOS Setup Utility with these settings, choose *Exit Saving Changes* and *Yes*.

### Save changes and power off

- ▶ To save the changes and switch off your device, select *Save Changes and Power Off* and *Yes*.
- ↳ The changes are saved. Your device is shut down.



# Troubleshooting and tips

If a fault occurs, try to correct it as described. If you fail to correct the problem, proceed as follows:

- ▶ Make a note of the steps and the circumstances that led to the fault. Also make a note of any error messages displayed.
- ▶ Switch the notebook off.
- ▶ Please contact the Hotline/Service Desk.



You can contact Fujitsu Service and Support in the following ways:

- Toll free phone: 1-800-8Fujitsu (1-800-838-5487)
- Website: "<http://solutions.us.fujitsu.com/www/content/support/contact/index.php>"

Before you place the call, have the following information ready so that the customer support representative can provide you with the fastest possible solution:

- The model name and serial number of the notebook. The serial number is located on a sticker on the underside of the notebook.
- Notes with the messages that appeared on the screen and information on acoustic signals.
- Any changes you have made to the hardware or software since receiving the notebook.
- Any changes you have made to the *BIOS Setup* settings after receiving the notebook.
- Your system configuration and all peripheral devices connected to your system.
- Your sales contract.



Our notebooks have been designed primarily with mobile applications in mind. This means that considerable effort has been made to optimize components and equipment in terms of weight, space and energy requirements. Depending on the particular configuration you have purchased, it is possible that functionality may be slightly reduced compared to a desktop PC if you are running processor-intensive gaming software, e.g. games with intensive 3D graphics. Updating your hardware with drivers which have not been approved by Fujitsu may result in performance losses, data losses or malfunction of the equipment. A list of approved drivers and current BIOS versions can be downloaded from: "<http://solutions.us.fujitsu.com>"

## Help if problems occur

Should you encounter a problem with your computer that you cannot resolve yourself:

- ▶ Note the ID number of your device. The ID number is found on the type rating plate on the back or underside of the casing.
- ▶ For further clarification of the problem, contact the Fujitsu Service Desk. When you do this, please have ready the ID number and serial number of your system.

## Recovering your Factory Image

In the event you need to restore your original Factory Image, please refer to the appendix of this Operating Manual.

## The notebook's date or time is incorrect

Cause	Troubleshooting
Time and date are incorrect.	▶ With the <i>BIOS-Setup-Utility</i> , you can set the date and time in the <i>Main</i> menu.
Date and time are still set incorrectly after switching on the notebook.	▶ Please contact your sales outlet or our hotline/service desk.

## Battery indicator does not illuminate

Cause	Troubleshooting
The battery is not installed correctly.	<ul style="list-style-type: none"> <li>▶ Switch the notebook off.</li> <li>▶ Check whether the battery is installed correctly in its compartment.</li> <li>▶ Switch the notebook on.</li> </ul>
The battery is discharged.	<ul style="list-style-type: none"> <li>▶ Charge the battery.</li> </ul> <p>or</p> <ul style="list-style-type: none"> <li>▶ Install a charged battery.</li> </ul> <p>or</p> <ul style="list-style-type: none"> <li>▶ Connect the notebook to a AC outlet using the AC adapter.</li> </ul>

## When certain characters are entered on the keyboard, only numerals are written

Cause	Troubleshooting
The virtual number keys of your device are activated, see <a href="#">"Virtual number keys", Page 46</a>	▶ Press the <input type="checkbox"/> <b>Num</b> button.

## The notebook's LCD screen remains blank

Cause	Troubleshooting
Screen is switched off.	▶ Press a key or touch the touchpad.
External monitor or television set connected.	▶ Press the key combination for changing over the screen output, see <a href="#">"Key combinations", Page 47</a> .

## The LCD screen of the notebook is difficult to read

Cause	Troubleshooting
Reflected glare	<ul style="list-style-type: none"> <li>▶ Turn the notebook or alter the tilt of the LCD screen.</li> <li>▶ Increase the brightness of the screen.</li> </ul>

## The external monitor remains blank

Cause	Troubleshooting
Monitor is switched off.	▶ Switch the external monitor on.
Power saving has been activated (monitor is blank).	▶ Press any key to continue.
Brightness is set to dark.	▶ Adjust the brightness of the monitor.
Screen output is set to the notebook's LCD screen	▶ Press the key combination for changing over the screen output, see " <a href="#">Key combinations</a> ", <a href="#">Page 47</a> .
The external monitor's AC cable or data cable is not connected properly.	<ul style="list-style-type: none"> <li>▶ Switch off the external monitor and the notebook.</li> <li>▶ Check whether the AC cable is plugged properly into the external monitor and into the power outlet.</li> <li>▶ Check whether the data cable is properly connected to the notebook and the external monitor (if it is plugged in with a connector).</li> <li>▶ Switch on the external monitor and the notebook.</li> </ul>

## The external monitor is blank or the image is unstable

Cause	Troubleshooting
The wrong external monitor has been selected or the wrong screen resolution has been set for the application program.	<ul style="list-style-type: none"> <li>▶ Terminate the application program under Windows by pressing <b>[Alt] + [F4]</b>. If the error persists after terminating the program, use the key combination for switching the screen output (see "<a href="#">Key combinations</a>", <a href="#">Page 47</a>), in order to switch to the LCD screen of the notebook. Change the following setting:</li> <li>▶ Set the screen resolution: Set the screen resolution as described in the documentation for your operating system.</li> <li>▶ Select monitor: Select monitor 1 or 2 as described in the documentation for your operating system.</li> </ul>

## The cursor does not correctly follow the stylus movements

Cause	Troubleshooting
Stylus incorrectly calibrated.	<ul style="list-style-type: none"> <li>▶ Calibrate the stylus as shown under <i>Hardware and Sound / Tablet PC Settings</i> in the Control Panel, see "<a href="#">Adjusting the stylus</a>", <a href="#">Page 40</a> and "<a href="#">Calibrating the stylus</a>", <a href="#">Page 40</a>.</li> </ul>

## Stylus input not working

Cause	Troubleshooting
Incorrect driver installed.	<ul style="list-style-type: none"> <li>▶ If your device is one which can only be operated using the stylus, install the driver for the standard model.</li> </ul> <p style="margin-left: 20px;">or</p> <ul style="list-style-type: none"> <li>▶ If your device is one which can be operated using the stylus and by finger, install the driver for the "Dual Digitizer" model.</li> </ul>

## The notebook does not start after switching it on

Cause	Troubleshooting
The battery is not installed correctly.	<ul style="list-style-type: none"> <li>▶ Check whether the battery is installed correctly in its compartment.</li> <li>▶ Switch the notebook on.</li> </ul>
The battery is dead.	<ul style="list-style-type: none"> <li>▶ Charge the battery.</li> </ul> <p style="margin-left: 20px;">or</p> <ul style="list-style-type: none"> <li>▶ Insert a charged battery.</li> </ul> <p style="margin-left: 20px;">or</p> <ul style="list-style-type: none"> <li>▶ Connect the AC adapter to the notebook.</li> </ul>
The AC adapter is not connected properly.	<ul style="list-style-type: none"> <li>▶ Check whether the AC adapter is properly connected to the notebook.</li> <li>▶ Switch the notebook on.</li> </ul>

## The notebook stops working

Cause	Troubleshooting
The notebook is in energy saving mode.	▶ End energy saving mode.
An application program has caused the malfunction.	▶ Close the application program or restart the notebook (by restarting the operating system or switching the device off and back on again).
The battery is dead.	▶ Charge the battery. or ▶ Insert a charged battery. or ▶ Connect the AC adapter to the notebook.

## The printer does not print

Cause	Troubleshooting
The printer is not switched on.	▶ Make sure that the printer is switched on and ready for operation (refer to the documentation supplied with the printer).
The printer is not connected correctly.	▶ Check that the data cable connecting the notebook to the printer is properly connected.
The printer driver is faulty or not correctly installed, or it is the wrong printer driver.	▶ Check whether the correct printer driver is loaded (refer to the printer documentation).

## The wireless connection to a network does not work

Cause	Troubleshooting
The wireless component is switched off.	▶ Switch the wireless component on (see <a href="#">"Switching the wireless components on and off", Page 63</a> ).
The wireless component is switched on. Despite this, the wireless connection to a network does not work.	▶ Check whether the wireless connection is enabled by the software. ▶ Further information on using the wireless component can be found in the help files.

## The battery discharges too quickly

Cause	Troubleshooting
The battery is either too hot or too cold. In this case the battery indicator flashes.	<ul style="list-style-type: none"> <li>▶ Move the notebook so that its temperature returns to within the normal range.</li> <li>▶ If the operating time of the battery life is extremely short, the battery is probably too old. Replace the battery if necessary.</li> </ul>
You may have an application running that consumes a great deal of power due to frequent accessing of the hard disk or optical drive.	<ul style="list-style-type: none"> <li>▶ Use the AC adapter whenever possible.</li> </ul>
The maximum brightness may have been set for the screen.	<ul style="list-style-type: none"> <li>▶ Set the screen slightly darker with the key combination for <i>Decreasing the screen brightness</i> in order to reduce the amount of power being drawn.</li> </ul>

## Smart Card reader is not recognized

Cause	Troubleshooting
Smart Card inserted incorrectly.	<ul style="list-style-type: none"> <li>▶ Make sure you have inserted your Smart Card into the Smart Card reader with the chip facing upwards / downwards (device-dependent).</li> <li>▶ Check whether the Smart Card you are using is supported. Your Smart Card must comply with the ISO standard 7816-1, -2, -3 and -4.</li> </ul>

## Smart Card PIN forgotten

Cause	Troubleshooting
PIN forgotten	<ul style="list-style-type: none"> <li>▶ If you are working in a network, contact your system administrator, who can unlock your notebook with a Supervisor PIN.</li> </ul>

## Smart Card lost

Cause	Troubleshooting
Smart Card lost.	<ul style="list-style-type: none"> <li>▶ If you are working in a network, contact your system administrator, who can boot your notebook with a Supervisor Smart Card.</li> </ul>

## User and/or supervisor Smart Card lost

Cause	Troubleshooting
User and/or supervisor Smart Card lost	<ul style="list-style-type: none"> <li>▶ If you have lost your user Smart Card, you can continue working with the supervisor Smart Card and initialize a new user Smart Card.</li> <li>▶ If you have lost the supervisor Smart Card, you can also continue working, but you no longer have all rights and cannot initialize another supervisor Smart Card.</li> <li>▶ If you have lost both Smart Cards, you cannot boot your system. Please contact our customer service center. You must provide proof of ownership for the device. The customer service center will then refer you to our service partner, who will unlock your device (for a charge).</li> </ul>

## Acoustic warning

Cause	Troubleshooting
<p>A beep sounds every few seconds.</p> <p>The battery is almost dead.</p>	<ul style="list-style-type: none"> <li>▶ Charge the battery.</li> </ul>

## Error messages on the screen

This section describes the error messages generated by the BIOS Setup. Error messages displayed by the operating system or programs are described in the documentation for these programs.



If the error message appears repeatedly despite troubleshooting measures, contact the place of purchase or our customer service center.

Error message/cause	Troubleshooting
<p><i>CMOS Battery Bad</i></p> <p>If the error message occurs repeatedly, the back-up battery in the notebook is dead.</p>	<ul style="list-style-type: none"> <li>▶ Contact your sales outlet or our customer service center.</li> </ul>
<p><i>System CMOS checksum bad - Default configuration used</i></p> <p>The system configuration information is incorrect.</p>	<ul style="list-style-type: none"> <li>▶ Switch the notebook off.</li> <li>▶ Switch the notebook on.</li> <li>▶ Press the function key <b>[F2]</b> to access the <i>BIOS Setup</i>.</li> <li>▶ In the <i>BIOS Setup</i>, select the <i>Exit</i> menu.</li> <li>▶ Select the entry <i>Load Setup Defaults</i>.</li> <li>▶ Select <i>OK</i> and press the Enter key.</li> </ul>
<p><i>Extended memory failed at offset: xxxx Failing Bits: zzzz zzzz</i></p> <p>When testing the extended memory, an error has resulted at the address xxxx.</p>	<ul style="list-style-type: none"> <li>▶ Check whether the additional memory module has been inserted correctly.</li> </ul>
<p><i>Failure Fixed Disk n</i></p> <p>The settings of the hard disk drive are incorrect.</p>	<ul style="list-style-type: none"> <li>▶ Start the <i>BIOS Setup (Primary Master submenu)</i> and select the correct settings.</li> </ul>
<p><i>Keyboard controller error</i></p>	<ul style="list-style-type: none"> <li>▶ Switch the notebook off with the ON/OFF button.</li> <li>▶ Wait 3 - 5 seconds and switch on the notebook again.</li> </ul>
<p><i>Keyboard error</i></p>	<p>If you use an external keyboard:</p> <ul style="list-style-type: none"> <li>▶ Check the connection and reboot the notebook.</li> </ul>
<p><i>nn Stuck key</i></p>	<ul style="list-style-type: none"> <li>▶ Make sure that no key is pressed.</li> </ul>
<p><i>Operating system not found</i></p>	<ul style="list-style-type: none"> <li>▶ Check in the <i>BIOS Setup</i> whether your hard disk has been set correctly.</li> <li>▶ Make sure that the operating system is installed on the corresponding drive.</li> </ul>
<p><i>Press &lt;F1&gt; to resume, &lt;F2&gt; to SETUP</i></p> <p>This error message appears if an error occurs during the self-test before starting the operating system.</p>	<ul style="list-style-type: none"> <li>▶ Press the <b>[F1]</b> function key to start the operating system.</li> <li>▶ Press the function key <b>[F2]</b> to access the <i>BIOS Setup</i>.</li> </ul>



Error message/cause	Troubleshooting
<i>Previous boot incomplete - Default configuration used</i> Default values have been set for certain settings because of an error which occurred in the previous system boot. Check the settings in the BIOS Setup.	▶ Press the <input type="text" value="F1"/> function key when prompted to do so.
<i>Real time clock error</i>	▶ Contact your sales outlet or our customer service center.
<i>nnnnK Shadow RAM failed at offset: xxxx Failing Bits: zzzz</i>	▶ Contact your sales outlet or our customer service center.
<i>System battery is dead - Replace and run SETUP</i>	▶ Contact your sales outlet or our customer service center.
<i>System cache error - Cache disabled</i>	▶ Contact your sales outlet or our customer service center.
<i>System timer error</i>	▶ Contact your sales outlet or our customer service center.

# Technical data

## Notebook

<b>General</b>	
Processor	5th Generation Intel® Core™ with vPro™ Technology (vPro optional, dependent on configuration)
Main memory (SO DIMM)	Maximum 12 GB DDR3 1 fixed slot with 4 GB (soldered) 1 slot for 2 GB, 4 GB or 8 GB modules
<b>Electrical data</b>	
Protection class	III
Maximum power draw (when the notebook is switched on and the battery is charged):	80 W (with and without connected port replicator)
<b>LCD screen</b>	
Size	31.75 cm / 12.5" TFT HD
Resolution	1366 x 768 (HD), 16 million colors
Pixel class	II
Brightness control	12 levels
Technology	Wide-View High-Bright HD Display with LED background lighting
Digitizer and glass panel	<ul style="list-style-type: none"> <li>• Dual Digitizer</li> <li>• Matte touchscreen</li> <li>• Hardened glass</li> </ul>
Webcam	Full HD camera (1080 p), with status indicator
<b>Display adapter</b>	
Chip	Intel® HD Graphics 5500
Maximum resolution of external monitor:	1920 x 1200 subpixels, 16 million colors on port replicator: <ul style="list-style-type: none"> <li>• VGA: 1920 x 1200 subpixels</li> <li>• DVI: 1920 x 1200 subpixels</li> <li>• Display Port: 2560 x 1600 subpixels</li> </ul>
<b>Dimensions</b>	
Width x Depth x Height	316 mm x 233 mm x 25.4 - 31.3 mm / 12.43 inches x 14.76 inches x 1 - 1.23 inches with rubber feet
Weight depending on configuration	from 1.74 kg / 3.84 lbs
<b>Input devices</b>	
Keyboard	85 buttons, splashproof
Touchpad	2 keys

Tablet buttons	1 Windows button, volume button +, volume button –
Stylus	1 freely programmable rocker button / eraser
<b>Slots</b>	
Memory card slot	1 x SD Card
SIM card slot	1 x
SmartCard reader	1 x
<b>Ports</b>	
External monitor port (VGA)	15-pin socket
HDMI port	1 x
LAN port	Socket, RJ45
Microphone port/Line In	3.5 mm stereo mini jack
Headphones port/Line Out	3.5 mm stereo mini jack
Docking port	100-pin socket
USB (Universal Serial Bus)	Total: 3 x USB (1 x USB 3.0 with charging function (Anytime USB charge), 2 x USB 3.0)
Security Lock	1 x
<b>Ambient conditions</b>	
Environment class DIN IEC 721	7K1
Mechanism class DIN IEC 721	7M2
Operating temperature	5°C .... 35°C / 41°F .... 95°F
Transport temperature (2K2)	-15°C .... 60°C / 5°F .... 140°F

## WLAN specifications

Type of network	Intel® Dual Band Wireless-AC 8260 11a/b/g/n/11ac), Wi-Fi based*
Transfer rate	(Automatic switching) IEEE802.11 a and g: 54 Mbps max. data rate; IEEE802.11n: 300 Mbps max. data rate
Active frequency	<ul style="list-style-type: none"> <li>• 802.11n: 2.4 GHz or 5 GHz</li> <li>• 802.11b/g: 2400~2473 MHz</li> <li>• 802.11a: 4900~5850 MHz</li> </ul>

## Technical data

<p>Typical operating distances**</p>	<ul style="list-style-type: none"> <li>• 802.11a: 40 ft. (12 m) @ 54 Mbps; 300 ft. (91 m) @ 6 Mbps</li> <li>• 802.11ac: 40 ft. (12 m) @ 54 Mbps; 300 ft.(91 m) @ 6 Mbps</li> <li>• 802.11b: 100 ft. (30 m) @ 11 Mbps; 300 ft. (91 m) @ 1 Mbps</li> <li>• 802.11g: 100 ft. (30 m) @ 54 Mbps; 300 ft. (91 m) @ 1 Mbps</li> <li>• 802.11n: Estimated double the operating distance of 802.11g and 802.11a in their respective frequencies</li> </ul>
<p>Number of channels</p>	<ul style="list-style-type: none"> <li>• 802.11a: 8 independent channels</li> <li>• 802.11b/g: 11 channels, 3 non-overlapping channels</li> <li>• 802.11n: Channel bonding takes two of the non-overlapping 20MHz channels and combines it into one 40MHz channel. It is actually 12 non-overlapping channels with channel bonding and 24 without. Also it is 1 non-overlapping channel in 2.4GHz when channel bonding is used.</li> </ul>
<p>Security</p>	<p>Encryption types: compatible with WEP, TKIP, AES***, WPA 1.0 and WPA 2.0</p> <p>Encryption key, lengths supported: 64 bits and 128 bits</p>
<p>Maximum recommended number of computers to be connected over wireless LAN (during ad hoc connection)</p>	<p>10 units or less ****</p>
<p>* “Wi-Fi based” indicates that the interconnectivity test of the organization which guarantees the interconnectivity of wireless LANs (Wi-Fi Alliance) was passed.</p> <p>** The operating distances given above increase or decrease depending on factors such as the number of walls, reflecting material or interference by external RF sources.</p> <p>*** Network key encryption (WEP) occurs with the number of bits given above, after deduction of the fixed length of 24 bits the user may however also set 40 or 104 bits.</p> <p>**** Depending on the particular practical application, the number of computers which can be networked is reduced if necessary.</p>	

## Port replicator (optional)

<b>Electrical data</b>	
Protection class	III
<b>Ports</b>	
VGA monitor port	15-pin socket
DVI-D monitor port	25-pin socket
Display Port	2 x
LAN port	RJ45
USB (Universal Serial Bus)	4 x USB 3.0
eSATA port	1 x
Audio	Headphones and microphone port
Docking port	100-pin
Security Lock	1 x
<b>Ambient conditions</b>	
Environment class DIN IEC 721	7K1
Mechanism class DIN IEC 721	7M2
Operating temperature	5°C .... 35°C / 41°F .... 95°F
Transit temperature	-15°C .... 60°C / 5°F .... 140°F

## Rechargeable battery



For information on the batteries used in your device, please see ["http://solutions.us.fujitsu.com/www/content/support/contact/index.php"](http://solutions.us.fujitsu.com/www/content/support/contact/index.php).

In addition to the main battery, you can order an optional battery which is inserted in the module slot. All rechargeable batteries are 6-cell batteries.

	<b>Main battery</b>	<b>Optional battery (fitting in the modular bay)</b>
Rated voltage	11.25 V	10.8 V
Rated capacity	72 Wh	28 Wh
Rated power	6400 mAh	2600 mAh



The operating time depends on the device configuration, the active applications and the energy saving settings.

## AC adapter for use with notebook and port replicator



The following technical data applies to the AC adapter included in the scope of delivery of the notebook and the optionally available port replicator.

<b>Primary</b>	
Rated voltage	100 V to 240 V (automatic)
Rated frequency	50 Hz to 60 Hz (automatic)
Max. rated current	0.7 A to 1.2 A
<b>Secondary</b>	
Rated power	80 W
Rated voltage	19 V
Max. rated current	4.22 A



An additional AC adapter or AC cable can be ordered at any time.

# Manufacturer's notes

## Disposal and recycling

You can find information on this subject on your Tablet PC or on our website ("[http://solutions.us.fujitsu.com/www/content/products/trade-in\\_program/](http://solutions.us.fujitsu.com/www/content/products/trade-in_program/)").

### Recycling your battery

Over time, the batteries that run your mobile computer will begin to hold a charge for a shorter amount of time; this is a natural occurrence for all batteries. When this occurs, you may want to replace the battery with a fresh one\*. If you replace it, it is important that you dispose of the old battery properly because batteries contain materials that could cause environmental damage if disposed of improperly.

Fujitsu is very concerned with environmental protection, and has enlisted the services of the Rechargeable Battery Recycling Corporation (RBRC)\*\*, a nonprofit public service organization dedicated to protecting our environment by recycling old batteries at no cost to you.

RBRC has drop-off points at tens of thousands of locations throughout the United States and Canada. To find the location nearest you, go to "[www.RBRC.org](http://www.RBRC.org)" or call 1-800-822-8837.

If there are no convenient RBRC locations near you, you can also go to the EIA Consumer Education Initiative website "<http://EIAE.org/>" and search for a convenient disposal location.



Remember – protecting the environment is a cooperative effort, and we must make every effort to protect it for current and future generations.

\* To order a new battery for your Fujitsu mobile computer, go to the Fujitsu shopping site at "[www.shopfujitsu.com](http://www.shopfujitsu.com)" in the US or "[www.fujitsu.ca/products/notebooks](http://www.fujitsu.ca/products/notebooks)" in Canada.

\*\* RBRC is an independent third party to which Fujitsu provides funding for battery recycling; RBRC is in no way affiliated with Fujitsu.

## DOC (Industry CANADA) Notices

### Radios and Television

This Class B digital apparatus meets all requirements of Canadian Interference-Causing Equipment Regulations.

CET appareil numérique de la class B respecte toutes les exigence du Règlement sur le matériel brouilleur du Canada.

## UL Notice

### IMPORTANT SAFETY INSTRUCTIONS

This unit requires an AC adapter to operate. Only use UL Listed I.T.E. adapters with an output rating of 19 VDC, with a minimum current of 3.42A (65W). The correct output rating is indicated on the AC adapter label. Refer to the illustration below for the correct AC adapter output polarity:



When using your notebook equipment, basic safety precautions should always be followed to reduce the risk of fire, electric shock and injury to persons, including the following:

- Do not use this product near water for example, near a bathtub, washbowl, kitchen sink or laundry tub, in a wet basement or near a swimming pool.
- Use only the power cord and batteries indicated in this manual. Do not dispose of batteries in a fire. They may explode. Check with local codes for possible special disposal instructions.

### SAVE THESE INSTRUCTIONS

#### For Authorized Repair Technicians Only



**CAUTION:**

For continued protection against risk of fire, replace only with the same type and rating fuse.



**WARNING:**

Danger of explosion if Lithium (CMOS) battery is incorrectly replaced. Replace only with the same or equivalent type recommended by the manufacturer.

Dispose of used batteries according to the manufacturer's instruction.



## ENERGY STAR Compliance



Your Fujitsu system is an ENERGY STAR qualified mobile PC. By choosing a computer with the latest energy-saving technology, you're helping to preserve our environment for future generations. ENERGY STAR is a joint program of the U.S. Environmental Protection Agency, U.S. Department of Energy, Natural Resources Canada, and other governments around the world helping us save money while protecting the environment through energy efficient products and practices. With energy costs and global warming top-of-mind for consumers, Fujitsu is committed to offering solutions that help consumers conserve energy and improve the quality of our environment.

### **Sleep mode:**

You will notice that your computer is initially set so that the display turns off after 10 minutes of user inactivity, and the computer goes into Sleep mode after 30 minutes of user inactivity. When going into Sleep mode, the computer also reduces the speed of any active Ethernet network links. To "wake" the computer from Sleep mode, press the Suspend/Resume Button.

### **Energy saving benefits:**

Fujitsu ENERGY STAR qualified mobile PCs use about half as much electricity as standard equipment – saving half in utility costs. But more than that, ENERGY STAR also makes a difference for the environment. Did you know that the average house can be responsible for twice the greenhouse gas emissions as the average car? That's because every time you flip on a light switch, run your dishwasher, or turn on your PC, you use energy, which means more greenhouse gas emissions from power plants. So the more energy we can save through energy efficiency, the more we help to reduce greenhouse gases and the risks of global warming.

To learn more about the important ENERGY STAR program, visit: "[www.energystar.gov](http://www.energystar.gov)".

To read about how Fujitsu is supporting Sustainable Management along with several other environmental activities, visit the Fujitsu Corporate Citizenship page at: "<http://www.computers.us.fujitsu.com/www/content/aboutus/environmental/environment.php>".

# Declarations of conformity

This device complies with Part 15 of the FCC Rules. Operations are subject to the following two conditions: (1) This device may not cause harmful interference, (2) this device must accept any interference received, including interference that may cause undesired operation.

# FCC and IC Regulatory Information



Please note the following regulatory information related to the wireless LAN device.

## Regulatory Notes and Statements

### Wireless LAN, Health and Authorization for use

Radio frequency electromagnetic energy is emitted from Wireless LAN devices. The energy levels of these emissions, however, are far much less than the electromagnetic energy emissions from wireless devices such as mobile phones. Wireless LAN devices are safe for use by consumers because they operate within the guidelines found in radio frequency safety standards and recommendations. The use of Wireless LAN devices may be restricted in some situations or environments, such as:

- On board an airplane, or
- In an explosive environment, or
- In situations where the interference risk to other devices or services is perceived or identified as harmful.

In cases in which the policy regarding use of Wireless LAN devices in specific environments is not clear (e.g., airports, hospitals, chemical/oil/gas industrial plants, private buildings), obtain authorization to use these devices prior to operating the equipment.

### Regulatory Information/Disclaimers

Installation and use of this Wireless LAN device must be in strict accordance with the instructions included in the user documentation provided with the product. Any changes or modifications made to this device that are not expressly approved by the manufacturer may void the user's authority to operate the equipment. The manufacturer is not responsible for any radio or television interference caused by unauthorized modification of this device, or the substitution or attachment of connecting cables and equipment other than those specified by the manufacturer. It is the responsibility of the user to correct any interference caused by such unauthorized modification, substitution or attachment. The manufacturer and its authorized resellers or distributors will assume no liability for any damage or violation of government regulations arising from failure to comply with these guidelines.

This device must not be co-located or operated in conjunction with any other antenna or transmitter.

**For IEEE 802.11a Wireless LAN:** For operation within 5.15~5.25 GHz frequency range, it is restricted to indoor environments, and the antenna of this device must be integral.

### Federal Communications Commission and Industry Canada statement:

This device complies with Part 15 of FCC Rules and Industry Canada license exempt RSS standard(s).

Operation is subject to the following two conditions: (1) This device may not cause interference, and, (2) This device must accept any interference, including interference that may cause undesired operation of this device.

## Déclaration d'Industrie Canada

Cet appareil est conforme à la Section 15 des Règles de la FC C et à la ( aux) norme(s) RSS concernant les appareils exempt s de licence par Industrie Canada. Son fonctionnement est soumis aux deux condition s suivantes : (1) cet appareil ne doit pas causer d'interférence nuisible; (2) cet appareil doit accepter toutes les interférences reçues, y compris celles pouvant causer un mauvais fonctionnement de l'appareil.

## FCC Interference Statement

This equipment has been tested and found to comply with the limits for a Class B digital device, pursuant to Part 15 of the FCC Rules. These limits are designed to provide reasonable protection against harmful interference in a residential installation. This equipment generates, uses, and can radiate radio frequency energy. If not installed and used in accordance with the instructions, it may cause harmful interference to radio communications. However, there is no guarantee that interference will not occur in a particular installation.

If this equipment does cause harmful interference to radio or television reception, which can be determined by turning the equipment off and on, the user is encouraged to try and correct the interference by one or more of the following measures:

1. Reorient or relocate the receiving antenna.
2. Increase the distance between the equipment and the receiver.
3. Connect the equipment to an outlet on a circuit different from the one the receiver is connected to.
4. Consult the dealer or an experienced radio/TV technician for help.

## FCC Radio Frequency Exposure statement

The available scientific evidence does not show that any health problems are associated with using low power wireless devices. There is no proof, however, that these low power wireless devices are absolutely safe. Low power wireless devices emit low levels of radio frequency energy (RF) in the microwave range while being used. Whereas high levels of RF can produce health effects (by heating tissue), exposure to low-level RF that does not produce heating effects causes no known adverse health effects. Many studies of low-level RF exposure have not found any biological effects. Some studies have suggested that some biological effects might occur, but such findings have not been confirmed by additional research.

The wireless LAN radio device has been tested and found to comply with FCC radiation exposure limits set forth for an uncontrolled equipment and meets the FCC radio frequency (RF) Exposure Guidelines in Supplement C to OET65.

The exposure standard for wireless devices employs a unit of measurement known as the Specific Absorption Rate, or SAR. The SAR limit set by the FCC is 1.6W/kg, and 1.6W/kg by Industry Canada.

This device is compliant with SAR for general population /uncontrolled exposure limits in ANSI/IEEE C95.1-1992 and Canada RSS 102, and had been tested in accordance with the measurement methods and procedures specified in OET Bulletin 65 Supplement C, and Canada RSS 102. This device has been tested, and meets the FCC, IC RF exposure guidelines when tested with the device operating conditions.

## **Déclaration de la FCC/d'Industrie Canada sur l'exposition aux radiofréquences**

La norme régissant l'exposition des appareils sans fil aux radiofréquences emploie une unité de mesure dénommée Taux d'absorption spécifique, ou TAS. La FCC et Industrie Canada ont défini la même limite de TAS : 1,6 W/kg. Cet appareil est conforme au TAS pour les limites d'exposition générales de la population/non contrôlées définies par les règles C95.1-1992 de l'ANSI/IEEE et RSS 102 d'Industrie Canada ; il a été testé en conformité avec les méthodes et procédures de mesure spécifiées dans le supplément C du bulletin 65 de l'OET (Office d'ingénierie et de technologie) et la règle RSS 102 d'Industrie Canada. Cet appareil a été testé selon les directives de la FCC et d'IC concernant l'exposition aux radiofréquences et s'est révélé conforme à ces dernières lorsqu'il a été testé en contact direct avec le corps.

### **Export restrictions**

This product or software contains encryption code which may not be exported or transferred from the US or Canada without an approved US Department of Commerce export license. This device complies with Part 15 of FCC Rules., as well as ICES 003 B / NMB 003 B. Operation is subject to the following two conditions: (1) this device may not cause harmful interference, and (2) this device must accept any interference received, including interference that may cause undesirable operation. Modifications not expressly authorized by Fujitsu America, Inc. may invalidate the user's right to operate this equipment.

### **Restrictions concernant l'exportation**

Ce produit ou logiciel contient du code de chiffrement qui ne peut être exporté ou transféré du Canada ou des États-Unis sans un permis d'exportation du département du commerce des États-Unis. Ce matériel est conforme à la Partie 15 des règlements de la FCC, ainsi qu'à la norme ICES 003 B/NMB 003 B. Son fonctionnement est soumis aux deux conditions suivantes : (1) cet appareil ne doit pas causer d'interférence nuisible; (2) cet appareil doit accepter toutes les interférences reçues, y compris celles pouvant causer un mauvais fonctionnement de l'appareil. Toute modification n'ayant pas été expressément approuvée par la société Fujitsu America Incorporated peut annuler le droit de l'utilisateur de se servir du matériel.

### **Canadian Notice**

The device for the 5150 - 5250 MHz band is only for indoor usage to reduce the potential for harmful interference to co-channel mobile satellite systems.

The maximum antenna gain of 6 dBi permitted (for devices in the 5250 - 5350 MHz, 5470 - 5725 MHz and 5725 - 5825 MHz bands) to comply with the e.i.r.p. limit as stated in A9.2 of RSS210.

In addition, users are cautioned to take note that high power radars are allocated as primary users (meaning they have priority) of 5250 - 5350 MHz and 5650 - 5850 MHz and these radars could cause interference and/or damage to LE-LAN devices.

## Avis pour le Canada

Le matériel destiné à un usage sur la bande 5 150 - 5 250 MHz doit être utilisé uniquement à l'intérieur afin de réduire les risques de brouillage nuisible causé aux systèmes mobiles par satellite fonctionnant sur un même canal.

Un gain d'antenne de 6 dBi est autorisé (pour le matériel utilisant les bandes 5 250 - 5 350 MHz, 5 470 - 5 725 MHz et 5 725 - 5 825 MHz), conformément à la limite p.i.r.e. maximale permise selon l'annexe A9.2 afférent aux périphériques RSS210.

En outre, les utilisateurs doivent prendre garde au fait que les radars de grande puissance sont considérés comme des utilisateurs principaux (ce qui signifie qu'ils sont prioritaires) des bandes 5 250 - 5 350 MHz et 5 650 - 5 850 MHz et qu'ils pourraient causer des interférences et/ou des dommages aux appareils de réseau exempts de licence.

---

# Appendix

## Before Using the Optional Wireless LAN

This manual describes the procedures required to properly set up and configure the optional integrated Wireless LAN Mini-PCI device (referred to as "WLAN device" in the rest of the manual). Before using the WLAN device, read this manual carefully to ensure its correct operation. Keep this manual in a safe place for future reference.

## Wireless LAN Devices Covered by this Document

This document is applicable to systems containing the following device:

- Intel® Dual Band Wireless-AC8260 – 11a/b/g/n/11ac)

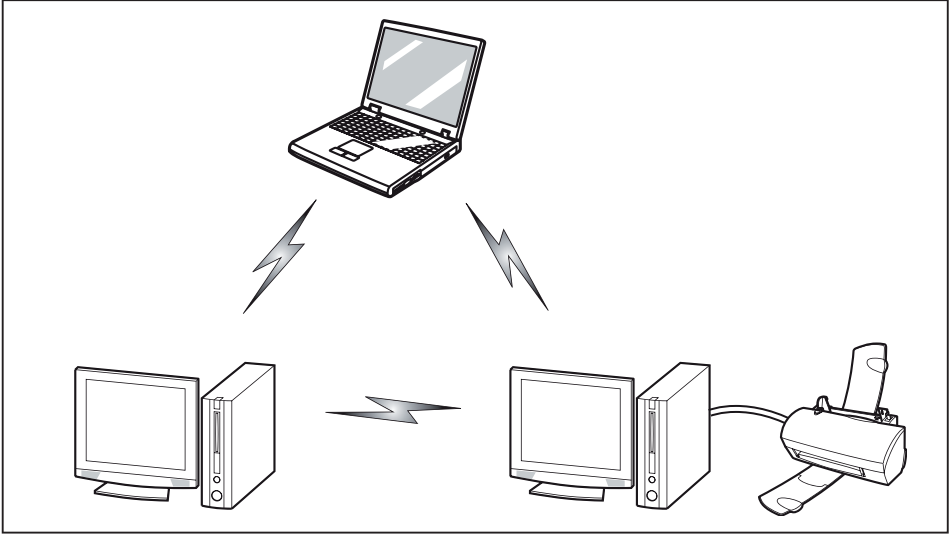
## Characteristics of the WLAN Device

- The WLAN devices are PCI Express Mini cards attached to the main board of the mobile computer.
- The WLAN devices operate in license-free RF bands, eliminating the need to procure an FCC operating license. The WLAN operates in the 2.4GHz Industrial, Scientific, and Medical (ISM) RF band and the lower, middle, and upper bands of the 5GHz Unlicensed National Information Infrastructure (UNII) bands.
- The WLAN devices are capable of five operating modes, IEEE802.11a, IEEE802.11ac, IEEE802.11b, IEEE802.11g, and IEEE802.11n.
- The WLAN device is Wi-Fi certified and operates (as applicable) at the maximum data rate of 450 Mbps in IEEE802.11n mode (300 Mbps in this configuration); 54 Mbps in IEEE802.11g mode; and 11 Mbps in IEEE802.11b mode.
- The WLAN devices support the following encryption methods - WEP, TKIP, CKIP, and AES encryption.
- The Wireless LAN devices are compliant with the following standards: WPA, WPA2, CCX1.0, CCX2.0, CCX3.0, and CCX4.0.

## Wireless LAN Modes Using this Device

### Ad Hoc Mode

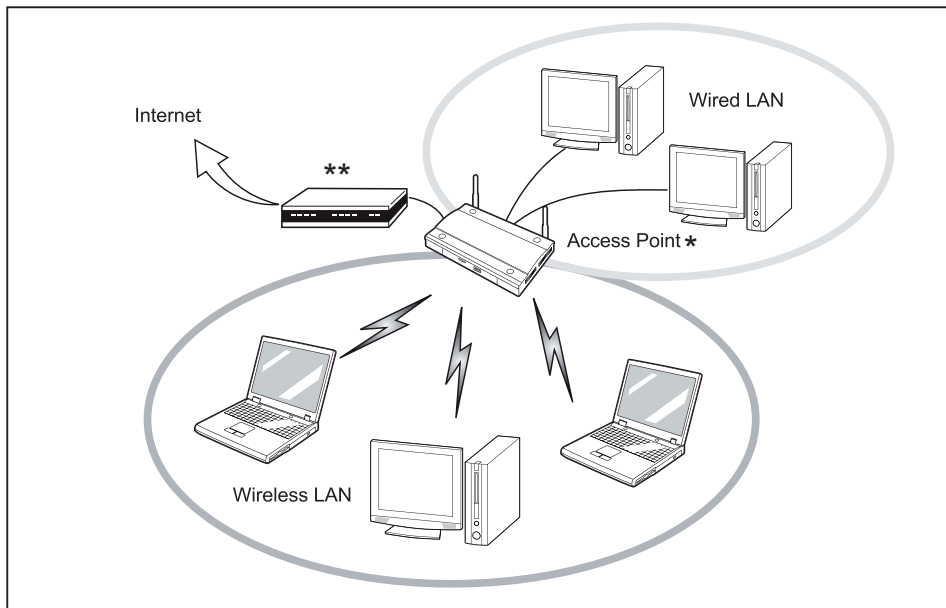
"Ad Hoc Mode" refers to a wireless network architecture where wireless network connectivity between multiple computers is established without a central wireless network device, typically known as Access Point(s). Connectivity is accomplished using only client devices in a peer-to-peer fashion. That is why Ad Hoc networks are also known as peer-to-peer networks. Ad Hoc networks are an easy and inexpensive method for establishing network connectivity between multiple computers. Ad Hoc mode requires that the SSID, network authentication, and encryption key settings are identically configured on all computers in the Ad Hoc network.



**Access Point (Infrastructure) Mode**

Infrastructure mode refers to a wireless network architecture in which devices communicate with wireless or wired network devices by communicating through an Access Point. In infrastructure mode, wireless devices can communicate with each other or with a wired network. Corporate wireless networks operate in infrastructure mode because they require access to the WLAN in order to access services, devices, and computers (e.g., file servers, printers, databases).





\* = An optional hub for a wired LAN may be required depending upon the type of access point used.

\*\* = ADSL modem, cable modem, or similar

### How to Handle This Device

The WLAN device is an optional device that may come pre-installed in your mobile computer. Under normal circumstances, it should not be necessary for you to remove or re-install it. The Operating System that your mobile computer comes with has been pre-configured to support the WLAN device.

- Integrated Intel Centrino wireless LAN devices support IEEE802.11a, IEEE802.11b, IEEE802.11g, and IEEE802.11n.
- The WLAN device operates in the 2.4 GHz ISM band and the 5 GHz lower, middle, and upper UNII bands.
- Microwave ovens may interfere with the operation of WLAN devices since they operate in the same 2.4 GHz frequency range as IEEE802.11b/g/n devices. Interference by microwaves does not occur with IEEE802.11a radio which operates in the 5 GHz RF band.
- Wireless devices that transmit in the 2.4 GHz range may interfere with operation of WLAN devices in IEEE802.11b/g/n modes. Symptoms of interference include reduced throughput, intermittent disconnects, and many frame errors. It is HIGHLY recommended that these interfering devices be powered off to ensure proper operation of the WLAN device.

## Deactivating/Disconnecting the WLAN Device

Disconnecting the WLAN device may be desired in certain circumstances (to extend battery life) or where certain environments require it (i.e. hospitals, clinics, airplanes, etc.). The WLAN device can be disconnected in Windows using the WLAN icon in the system tray (Note that disconnecting via the icon in the system tray does not turn off the radio; it continues to transmit and receive even though it's not connected.)

- ▶ Press the key combination **Fn** + **F5** to deactivate the Wireless Device
- ↳ The wireless component indicator will go off when the wireless components are switched off.

## Configuring the Wireless LAN

The optional WLAN device can be configured to establish wireless network connectivity using the software that is built into Windows. Support for most industry standard security solutions is contained in this software.

Pre-defined parameters will be required for this procedure. Please consult with your network administrator for these parameters:

## Configuring the WLAN Using Windows

The WLAN device can be configured to establish wireless network connectivity using the software that is built into Windows Vista. Support for most industry standard security solutions is contained in this software.

Pre-defined parameters are required for this procedure. Consult your network administrator for these parameters:

1. From the *Modern Start* screen, press **Windows** + **X**, then select *Control Panel* from the menu.
2. If the *Control Panel* is not in *Classic View*, select *Classic View* from the left panel. Double-click the *Network and Sharing Center* icon.
3. Select *Setup a new connection or network*.
4. Depending upon what type of connection you would like to make, make a selection. For an infrastructure network, select *Manually connect to a wireless network*.
5. Enter the required information. It may be necessary to consult with your network administrator for some of the information.
6. In the event you require assistance, go to the *Network and Sharing Center* window (*Control Panel > Network and Sharing Center*), and type in relevant keywords in the *Search* box.

## Connection to the network

After you have configured your computer, you can connect to an active network by performing the following steps:

1. Click on the *WLAN* icon in the system tray.
2. Select *Connect to a network*.
3. Select a network from the list that appears, and click the *Connect* button.

## Troubleshooting the WLAN

Causes and countermeasures for troubles you may encounter while using your wireless LAN are described in the following table.

Problem	Possible Cause	Possible Solution
Unavailable network connection	Incorrect network name (SSID) or network key	<p><b>Ad hoc connection:</b> verify that the network names (SSID's) and network keys (WEP) of all computers to be connected have been configured correctly. SSID's and WEP key values must be identical on each machine.</p> <p><b>Access Point (Infrastructure) connection:</b> set the network name (SSID) and network key to the same values as those of the access point.</p> <p>Set the Network Authentication value identically to that of the Access Point. Please consult your network administrator for this value, if necessary.</p>
	Weak received signal strength and/or link quality	<p><b>Ad hoc connection:</b> Retry connection after shortening the distance to the destination computer or removing any obstacles for better sight.</p> <p><b>Access Point (Infrastructure) connection:</b> Retry connection after shortening the distance to the access point or removing any obstacles for better sight.</p>

Problem	Possible Cause	Possible Solution
Unavailable network connection (continued)	The WLAN device was deactivated or is disabled	Check if the wireless switch is turned On. Go to <i>Start &gt; Control Panel</i> , and doubleclick on <i>Windows Mobility Center</i> . If the wireless network is off, click the <i>Turn wireless on</i> button.
	The computer to be connected is turned off	Check if the computer to be connected is turned ON.
	Incorrectly configured network settings	Recheck the configuration of your network settings.
	RF interference from Access Points or other wireless networks	The use of identical or overlapping RF channels can cause interference with the operation of the WLAN device. Change the channel of your Access Point to a channel that does not overlap with the interfering device.
	Wireless network authentication has failed	Re-check your Network Authentication, Encryption, and Security settings. Incorrectly configured security settings such as an incorrectly typed WEP key, a mis-configured LEAP username, or an incorrectly chosen authentication method will cause the LAN device to associate but not authenticate to the wireless network.
	Incorrect IP address configuration	This only applies to networks using static IP addresses. Please contact your network administrator for the correct settings.

## Using the Bluetooth Device

Bluetooth is integrated into the Wireless LAN module. The Bluetooth capabilities are Bluetooth Basic, EDR and Bluetooth Low Energy (BT v4.0) operational modes.

### What is Bluetooth

Bluetooth technology is designed as a short-range wireless link between mobile devices, such as laptop computers, phones, printers, and cameras. Bluetooth technology is used to create Personal Area Networks (PANs) between devices in short-range of each other.



Proceed as follows to individually enable or disable wireless LAN or Bluetooth devices:

1. Switch on the WLAN/Bluetooth via the key combination **[Fn] + [F5]**.
2. In the screen *Modern Start*, select the option *Charms > Settings > Change PC Settings > Wireless*.
3. Under *Wireless > Wireless Devices*, click on the switch *Bluetooth* to switch on Bluetooth.

### Where to Find Information About Bluetooth

For additional information about Bluetooth Technology, visit the Bluetooth Web site at: "[www.bluetooth.com](http://www.bluetooth.com)".

### FCC Radiation Exposure Statement

This system complies with the FCC limit values for radio frequency radiation in an uncontrolled environment. The Bluetooth antenna is located at the top edge of the LCD screen and is exempt from the criteria for minimum distance because of its low power consumption.

The transmitter used in this system must not be operated together with other antennas or transmitters.

### Canadian Notice

To prevent radio interference to licensed services, this system is designed for use in indoor spaces / in buildings and not directly at window openings, to allow a maximum shielding.

### Warranty

Users are not authorized to modify this product. Any modifications invalidate the warranty.

This equipment may not be modified, altered, or changed in any way without signed written permission from Fujitsu. Unauthorized modification will void the equipment authorization from the FCC and Industry Canada and the warranty.

## Image Backup and Recovery Procedures

Thank you for purchasing a Fujitsu computer. Fujitsu is committed to bringing you the best computing experience with your new system.

It is very important that you create DVD copies of your Recovery Image and Bootable Disk before beginning to use your system. To do so, follow the instructions in the "Creating a Backup of Bootable Disk and Recovery Image" section of this document.

It is also important that you create a copy of the software that is essential for your system to access the internet (hereafter called "essential access software") to external writable media or an external drive. To do so, follow the instructions in the "Creating a Backup of the System-Specific Software Drivers".

## Creating a Backup of Bootable Disk and Recovery Image

When you purchased your new system, a copy of the recovery image was loaded into a hidden partition on your hard disk drive. Having a copy of the recovery image available to you means that in the event of system failure, you will be able to restore it and re-install the essential access software using Fujitsu Software Auto Installer.

To make a copy of the recovery image to DVD disks, you will need three or four blank disks to create the copy. After creating the copy, be sure to label the disks and keep them in a safe place to ensure they do not get damaged.



Note: If your system does not have an internal writable DVD drive, connect your system to an external drive\* before beginning the following steps.

1. Launch *System Restore and Recovery* from the desktop icon. It will allow you to create the Bootable Disk and the Recovery Image Disk Set.
2. On "Step 1: Select the Bootable Disk from the list":
  - a. Select a media type.
  - b. Notice the number of disks that are needed for the set.
  - c. Click *Next* to proceed.
3. On "Step 2: Confirm your Recovery Disk", click *Next*.
4. On "Step 3:" follow the on-screen instructions to make the disk or disk set, then click *Start*. It takes approximately 20 minutes to make one disk.
5. On "Step 4", when the disk creation is completed, a message appears. Click *Finish* to exit the program.
6. Repeat Step 1: Select *Recovery Disk* from the list and repeat the above steps 2(a), 2(b), 2(c), 3, 4 and 5.

\* DEPENDING UPON YOUR OPTICAL DRIVE AND MEDIA FORMAT USED, SOME MEDIA TYPES MAY BE INCOMPATIBLE FOR CREATING IMAGE BACKUPS.

## Creating a Backup of Essential Access Software

When you purchased your new system, a “Fujitsu Software Extractor” shortcut was loaded to “C:\Fujitsu\Drivers\AutoInstaller”. This shortcut allows you to save the software driver packages along with the extracted Auto Installer software package to a selected location. It is recommended that you save these packages to writable media or an external drive. This ensures that in the event of system failure you will be able to re-install the essential access software.

1. Open the C:\Fujitsu\Drivers\AutoInstaller\ folder
2. Run “Fujitsu Software Extractor” as an Administrator
  - a. Right-click on Fujitsu Software Extractor.
  - b. Select the “Run as Administrator” option from the menu that is displayed.
3. The default save location is C:\Fujitsu\ AutoInstaller\ Drivers\. You can change the location by clicking on the *Browse* button and selecting your preferred location.

**Note: It is recommended that you change the default location and save the software packages to the external writable media or drive.**

4. Click on the *Save Packages* button.
5. Fujitsu Software Extractor copies the zipped software packages and Readme files, and extracts the Auto Installer folder to the selected location.



Note: The extracted Auto Installer will later be used to install the software automatically on the system in the event of generic image restoration when the software is not pre-installed in the image.

## RECOVER YOUR SYSTEM WHEN THE HARD DRIVE IS STILL ACCESSIBLE

### Using the Recovery and Utility Tools

The Recovery and Utility tools consist of a variety of tools that will help you recover your recovery image and system images, and delete the data from your hard disk.

#### Methods for accessing the utilities

Recovery and Utility Tools are preinstalled in a hidden partition by the factory, or they can be accessed by using the bootable disk.



Note: The Recovery and Utility tools may be deleted from your hard disk drive if you modify the partitions. If that occurs, you will not be able to use the hidden partition for booting to Recovery and Utility Tools, but you will still be able to boot from the Bootable Disk.

### Determining whether Recovery and Utility is pre-loaded

1. Turn on or reboot your system. When the Fujitsu logo appears, press the **F12** key.
2. Use the **Tab** key to get to the Application Menu.
3. Check whether the Recovery and Utility option is present. If it is not present, it means that the utility must be used from the Bootable Disk. Proceed to “Running Recovery and Utility from the Bootable Disk” if Recovery and Utility is unavailable.

### Running Recovery and Utility from hard disk

1. Turn on or reboot your system. When the Fujitsu logo appears, press the **F12** key.
2. Use the **Tab** key to get to the Application Menu.
3. Cursor down to *Recovery and Utility* and press the **Enter** key.
4. Choose your language, if necessary. Select *Recovery and Utility* to proceed.
5. Three tool options appear: *Diagnostics*, *Recovery*, and *Utility* (refer to the Recovery and Utility tools section below for instructions on how to use these tools).
6. If this was successful please skip the next step and go to “Recovery and Utility tools.”
7. If this was NOT successful, please go to the next step.

### Running Recovery and Utility from the Bootable disk

To verify/change the boot-up priority (rather than booting-up from the hard drive or an external media drive), perform the following steps:

1. Power on your system. When the Fujitsu logo appears on the screen, press the **F12** key.
2. Insert the bootable disk into the drive tray.
3. Highlight the CD/DVD option from the Boot menu, then press **Enter**.
4. Click *OK*.
5. Select CD/DVD boot mode: UEFI Mode, if applicable, and then press **Enter**. While the files are being loaded from the disk, the Fujitsu logo screen will appear followed by a progress bar at the bottom of the screen.



## Recovery and Utility tools



Note: Recovery and Utility tools may not be available on your system depending on the region from which the system was shipped.

Diagnostics tool: The Diagnostics tool is designed for use by IT professionals. It is not likely you will need to use this tool. If you should need to use this tool, perform the following steps:

1. Press the *Diagnostics Tool* button to start the Diagnostics tool.
2. Read the note, and then click *OK*.
3. Choose one or more of the following options for diagnostics on the Fujitsu Hardware Diagnostics Tool window: CPU, Memory, Display, Hard Disk, CD/DVD/BD, Floppy Disk, Keyboard, and Mouse.
4. Click the *Option* button in the Tool menu to specify how many times the tool should run diagnostics on each selected component.
5. Press *Execute* to start the Diagnostics tool.
6. After the execution is completed, the selected components are circled in red to indicate that they have been diagnosed and the result dialog window opens. Click *Close* to close the window.
7. Click *End* to close the Diagnostics tool, and then click *Yes* to confirm the end of diagnostics session.

Recovery tool: The Recovery tool contains two options:

- Restore C Drive: Restore recovery image (only C: drive)
- Restore Full Hard Drive: Restore recovery image (full hard drive).

You can use these tools to restore the Recovery Image from the hidden partition, and perform a full hard drive recovery. Please refer to instructions above for details on how to create a Recovery Image.

## Restore the Recovery Image from Hidden Partition

1. Click [Restore C: drive] from Recovery and Utility tools
2. The progress bar is followed by “Restore Recovery image (only C: drive)” screen confirming that the Image will be restored to the C: drive. Click *Next*.
3. Read the instruction screen and select *Agree*, then click *Next*.
4. Click *OK* to acknowledge the warning message to restore recovery image to the C: drive.
5. When the progress bar appears, wait for the process to complete.
6. Click *Finish* when the process completes; the computer will restart to Windows.
7. Follow the steps listed in the “Auto Installation support for software packages from hidden partition” section.
8. Download FSDM (Fujitsu Software Download Manager) from the support site and download all the software applicable to the model and OS using FSDM.
9. Follow the steps listed in “Auto Installation support for software packages downloaded from support website” section.

# RECOVER YOUR SYSTEM WHEN THE HARD DRIVE IS NOT BOOTABLE

## Restore the Recovery Image for Full Hard Drive

Follow the steps in the “Recovering your Recovery Image using Recovery and Utility (for new hard drive or non-bootable hard drive)” section. You will need the Bootable Disk and the Recovery Disk Set for this task.

Utility tool: If applicable for your region, the Utility tool contains two options: Hard Disk Data Delete and Partition Creation.

The Hard Disk Data Delete utility is used to delete all data on the hard disk and prevent the data from being reused.



**NOTE:** Do not use the Hard Disk Data Delete utility unless you are absolutely certain that you want to erase your entire hard disk, including all partitions.

To delete hard disk data:

1. Click the *Hard Disk Data Delete* button. The progress bar appears, followed by the EULA screen.
2. Agree to the EULA and click *Next*.
3. Choose the hard disk from which the data should be deleted in the list of hard disks and click *Next*.

The Partition Creation utility is used to change the C: and D: drive partition sizes.

To run this utility: (This is not an option when using Windows 7.)

1. Click the *Partition Creation* button.
2. A progress bar appears, followed by the EULA screen. Agree to the EULA.
3. On the *Recovery Tool - Partition Creation* screen, move the slider to set disk size, and then click *OK*.
4. Click *Yes* in the *Partition Creation* confirmation dialog.



**WARNING:** It is highly recommended that you send your product to Fujitsu Service to replace a hard drive. A mistake could possibly destroy your computer, your new hard drive or both.

## Recovering Your Recovery Image Using Recovery and Utility (for new hard drive or non-bootable hard drive)

If you have installed a new hard drive or your hard drive is not bootable, perform the following steps.



Note: You will need the Bootable disk and Recovery Image disk set for this recovery.

1. Power on your system. When the Fujitsu logo appears on the screen, press the **[Enter]** key.
2. Insert the bootable disk in your DVD drive, then click *OK*.
3. Highlight the CD/DVD option from the Boot Menu and press **[Enter]**.
4. Select CD/DVD boot mode: Select *UEFI Mode*, if applicable and press **[Enter]**. While the files are being loaded from the disk, the Fujitsu logo screen appears followed by a progress bar at the bottom of the screen.
5. Choose your language, if necessary.
6. Three tool options appear: *Diagnostics*, *Recovery* and *Utility*. Select *Recovery*.
  - For Windows 8.1: Select *Restore full hard drive*
  - For Windows 7: Select *Restoring the Factory Image (full hard drive recovery)*
7. Click *Next* to confirm full hard drive restoration. All data on HDD will be deleted.
8. Agree to EULA by selecting *Agree* option and clicking *Next*.
9. Click *Next* on the Recovery Disk Check screen to verify that the bootable disk has been inserted into the optical drive.
10. The *Checking for Recovery Disk* screen appears followed by the prompt to insert the first disk. Click *OK* to continue. Repeat this step for all disks. After all recovery disks have been checked and the check has been completed, click *Next*.
11. Follow the prompt to reinsert the first recovery disk and click *Next*.
12. Click *OK* when you receive the final warning informing you that all data on drive C will be lost. This starts the recovery process.
13. Follow the prompts to insert the next recovery disks and click *OK*.
14. After the copying of the image to the HDD completes the restore process is complete, click *Finish* to restart the system. The computer will restart automatically and then go through the first boot process.
15. Follow the steps listed in "Auto Installation support for essential access software from backup location" section.
16. Download FSDM (Fujitsu Software Download Manager) from support site and download all the software applicable to the model and OS using FSDM.
17. Follow the steps listed in "Auto Installation support for essential access software downloaded from support website."

## Installing the Software after the Recovery Image is Restored

### Auto-installation support for essential access software from hidden partition

The below listed steps are applicable only in cases in which the recovery image restore and hidden partition contents have not been wiped out.

1. After the recovery image is restored, launch the desktop icon "Fujitsu Software Auto Installer".
2. Double-click on "Fujitsu Software Auto Installer" desktop icon.
3. Click *Yes* on User Account Control Dialog box. This will take some time to process the software packages. A message will be displayed during this time, "Please wait while the content is being processed".
4. If EULA is displayed for Fujitsu Software Auto Installer, accept the EULA, otherwise continue.
5. Then Fujitsu Software Auto Installer user interface will be launched providing ability to auto-install the essential access software on the system.
6. It is recommended that you install all the software in the listed order. You can *Select All*, to install the software in the order listed.
7. Click *Install* to start the installation.
8. After installing all the selected drivers, Installation Results window will be displayed. Click *OK*.
9. "You must restart the system for the settings to take effect. Do you wish to reboot now?" message appears. Select *Yes*.
10. The system will now reboot.
11. You can now connect to the internet and download FSDM (Fujitsu Software Download Manager) from the support site and download all the software applicable to the model and OS using FSDM if they are not downloaded yet.

---

## Auto-installation support for essential access software from backup location

The below listed steps are applicable in cases in which a backup copy was created as mentioned in the section "Creating a Backup of essential access software".

1. It is important to have the extracted Auto installer software package folder and Readme file in the same location as other software folders. Otherwise auto-installation of the software will not be supported.
2. Inside the Auto Installer software package, launch FjAutoinstall.exe as an Administrator.
3. Click *Yes* on the User Account Control dialog box. This will take some time to process the software packages. A message will be displayed during this time stating, "Please wait while the content is being processed".
4. If EULA is displayed for Fujitsu Software Auto Installer, accept the EULA, otherwise continue.
5. The Fujitsu Software Auto Installer user interface will be launched providing ability to auto install the essential access software on the system.
6. It is recommended that you install all the software in the listed order. You can "Select All", to install the software in the order listed.
7. Click the *Install* button to start the installation.
8. After installing all the selected drivers, *Installation Results* window is displayed. Click *OK*.
9. "You must restart the system for the settings to take effect. Do you wish to reboot now?" message appears. Select *Yes*.
10. The system will now reboot.

## Auto Installation support for the software downloaded from support website

1. Download FSDM (Fujitsu Software Download Manager) from the support site and download all the drivers applicable to the model and OS using FSDM if they are not downloaded yet.
2. When the software packages are downloaded from web, it is important to download the Auto Installer Software package and the model/language- specific Readme file if you prefer to auto install the software.
3. It is important to have the extracted Auto Installer software package folder and Readme file in the same location as other software folders. Otherwise auto-installation of the software will not be supported.
4. Inside the Auto Installer software package, launch FjAutoinstall.exe as administrator.
5. Click *Yes* on the User Account Control dialog box. This will take some time to process the software packages. A message will be displayed during this time stating "Please wait while the content is being processed".
6. If EULA is displayed for Fujitsu Software Auto Installer, accept the EULA, otherwise continue.
7. The Fujitsu Software Auto Installer user interface will be launched providing the ability to auto install the software downloaded from support site.
8. It is recommended that you install all the software in the listed order. You can *Select All*, to install the software in the order listed.
9. Click the *Install* button to start the installation.
10. After installing all the selected drivers, the Installation Results window is displayed. Click *OK*.
11. "You must restart the system for the settings to take effect. Do you wish to reboot now?" message appears. Select *Yes*.
12. The system will now reboot.

### Downloading Driver Updates

To ensure that you always have the most current driver updates related to your system, you should occasionally access the Fujitsu Software Download Manager (FSDM) utility. The FSDM utility is available from the Fujitsu Support site. FSDM will allow you to view and download a list of the most current drivers, utilities, and applications to determine whether you have the latest versions. To download the FSDM Utility, go to the Support Site: "<http://support.fujitsupc.com/CS/Portal/support.do?srch=DOWNLOADS>".

If you are planning on downgrading, upgrading or changing versions of your operating system during this process please see the User's Guide for more information at "<http://solutions.us.fujitsu.com>".

# Index

- A**
- A beep sounds every second 96
  - AC adapter
    - connecting 19
    - Set up 19
  - Acoustic warnings 101
  - Activate
    - keyboard backlight 47
  - Anti-theft protection 73
  - Audio connections 83
- B**
- Back tab 48
  - Backspace 45
  - Backspace key 45
  - Battery 51
    - battery charge 59
    - Caring for and maintaining 51
    - charge level 51
    - Charging 51
    - Discharges too quickly 100
    - see Rechargeable battery 51
    - Self-discharge 51
    - Service life 51
    - Storing 51
  - battery charge meter 51
  - BIOS Setup Utility
    - , protecting with password 74
    - calling 92
    - exiting 94
    - operation 93
    - Settings 92
  - Blank LCD screen 96
  - Bluetooth
    - switching module off 63, 120
    - switching module on 63, 120
  - Bluetooth, Safety notes 14
  - Boards 84
  - Bonus Apps 21
- C**
- Caps Lock 45
  - Caps Lock key 45
  - CD/DVD
    - Manual emergency removal 58
  - CD/DVD indicator 57
  - Charge capacity, battery 51
  - Charging back-up battery 96
  - Choose a location 19
  - Components
    - Installing/Removing 84
    - Configuration, BIOS Setup Utility 92
    - Configuring hardware 92
    - Configuring system 92
    - Connecting audio devices 83
    - Connecting headphones 83
    - Connecting microphone 83
    - Cursor control 45
    - Cursor keys 45
- D**
- Date not correct 96
  - Deactivate
    - keyboard backlight 47
  - Declarations of conformity 112
  - Display orientation
    - select 28
  - DOC (INDUSTRY CANADA) NOTICES 109
  - Drive
    - Removing 55
- E**
- Emergency removal of optical disk 58
  - Ending
    - energy saving mode 99
  - Energy
    - Energy consumption 59
    - Energy saving 14
    - Energy saving functions 59
  - Enter 45
  - Enter key 45
  - Error messages on the screen 102
  - Errors
    - Acoustic warnings 101
    - Screen messages 102
  - ESD 84
  - Ethernet LAN 65
- F**
- Fault
    - Elimination 95
  - Fingerprint sensor 72
    - configuring 72
  - First-time setup 18
  - Fn + F10 48
  - Fn key 45
  - Fn+F2 47
  - Fn+F3 47
  - Fn+F4 47

Fn+F5 47  
Fn+F6 47  
Fn+F7 47  
Fn+F8 47  
Fn+F9 47

### G

Getting started 18

### H

HDMI port 80

### I

Important notes 13  
In case of service 84  
Incorrect time 96  
Information,  
    safety 13  
Instructions  
    Boards 84

### K

Kensington Lock Cable 73  
Keyboard 44  
keys 44

### L

Landscape format  
    display 28  
LCD screen  
    Decrease brightness 47  
    difficult to read 97  
    Notes 32  
    reflected glare 97  
    Remains blank 96  
Line feed 45

### M

Main memory  
    see memory expansion 85  
Making ready to use 19  
Manual removal of optical disk 58  
Mechanical security 73  
Memory card  
    handling 60  
    inserting 60  
    removing 60  
Memory expansion  
    installing 87  
    removing 86

Memory module  
    Important notes 85  
    installing 87  
    removing 86  
Memory removal  
    see memory expansion 85  
Microphone 61  
Mobile operation 15  
Modular bay 55  
Modular bay device  
    Removing 55  
Modules 55  
Monitor  
    connecting 79  
    no image 97  
    remains blank 97  
    unstable image 97  
Monitor port  
    see VGA socket 79

### N

Notebook  
    before traveling 15  
    does not start 98  
    not working 99  
    operating 22  
    switching off 30  
    transporting 15–16  
Notebook: switching on 25  
Notes 13  
    disposal / recycling 109  
    Energy saving 14  
    LCD screen 32  
    Transport 15  
Num Lock  
    indicator 46  
Number keypad 44  
Numeric keypad 44  
    see Virtual number keys 46

### O

Operating system  
    activating system protection 75  
    cancel system protection 75  
    Protecting with password 75  
Operation, notebook 22  
Optical disk  
    Inserting 57  
    Removing 57  
Optical disks  
    Handling 56  
Optical drive 56



- P**
- Packaging 18
  - Password
    - changing 74
    - entering 74
    - removing 75
  - Password protection 73
  - Port replicator
    - Connecting a notebook 67
    - Ports 66
  - Portrait format
    - display 28
  - Ports
    - Port replicator 66
  - Power saving 14
  - Power-on indicator 25
  - Printer does not print 99
  - Problem solving 95
- R**
- Radio components
    - Safety notes 14
  - Rechargeable battery
    - see battery 51
  - Return 45
- S**
- Safety information 13
  - Screen brightness
    - Decrease 47
    - Increase 47
  - Security functions 70, 76
    - Smart Card 76
  - Self-discharge, battery 51
  - Service life, battery 51
  - Set up
    - Device 19
  - Setup
    - see BIOS Setup Utility 92
  - Shift 45
  - Shift key 45
  - Shift+Tab 48
  - Slot
    - Memory cards 60
  - Speaker 61
  - Status indicators 22
  - Subwoofer 61
  - Summer time 96
  - Supervisor password
    - change 74
    - entering 74
    - removing 75
  - Suspend/Resume button 25
  - Switch between screen outputs 48
  - Switch off
    - speakers 47
  - Switch on
    - speakers 47
  - Switching on for the first time 20
  - Symbols
    - Indicators 22
  - System expansion 85
    - see memory expansion 85
  - System settings, BIOS Setup Utility 92
- T**
- Tab key 45
  - The wireless connection to a network
    - does not work 99
  - Time not correct 96
  - Tips 95
  - Touchpad 42, 47
    - buttons 42
    - dragging items 43
    - executing commands 42
    - Move pointer 42
    - selecting an item 42
    - turn off 47
  - Touchpad button 47
  - TPM 77
  - Transport 15–16
    - Damage during transportation 18
  - Traveling, notebook 15
  - Troubleshooting 95
  - Trusted Platform Module 77
- U**
- UMTS 65
    - antenna 65
  - USB charging function 81
  - USB ports 80
  - User password
    - change 74
    - entering 74
    - removing 75
  - Using the security lock 73
- V**
- VGA socket 79
  - Virtual number keys 46
  - Volume
    - increase 47
    - reduce 47
  - Volume control 61

**W**

Webcam 50

Weight saver

    Removing 55

Windows key 45

Winter time 96

Wireless components 47

Wireless LAN

    Safety notes 14

    switching module off 63, 120

    switching module on 63, 120

Wrong date/time 96