
Introduction

The KBPC M multimedia keyboard offers you ease-of-use and functionality in a modern design:

- Audio playback via integrated stereo loudspeakers (2 x 1 W) or headphones
- Audio recording via integrated or external microphone
- PC supported, convenient telephony via telephone handset, headset (headphones with microphone) or hands-free facility
- simple switching between telephone handset/headset and hands-free facility with the hands-free button
- direct connection of mouse, telephone handset/headset, stereo headphones and external microphone to the keyboard (avoiding a mass of cables)

System requirements

Your PC must fulfill the following requirements if you want to use all the functions of the KBPC M multimedia keyboard:

- **Audio board (sound card)**
The audio board should have a stereo loudspeaker output or audio line output and a microphone input.
- **Modem board**
Your PC should have a modem with voice function. If possible, the voice signal output of the modem should be routed via the audio board. (In a lot of multimedia PCs this connection is already implemented internally.)
- **Communications software**
No special demands are made on your communications software, just that it should be suited to your requirements. It should be matched to your needs.
- **Quickstart function**
Your PC should have a Quickstart function (e. g. *BIOSFaX*) in order to ensure reliable reception for your answering machine, fax or telephone, and also to save power.
- **Keyboard interface**
Die Tastaturschnittstelle der Systemeinheit (5 V Versorgungsspannung) muß für mindestens 600 mA ausgelegt sein. This applies to all Siemens PCs (except notebooks).

Further information on these features is provided in the manuals for your PC and/or for the specified system components.

Notational conventions

The meanings of the symbols and fonts used in this manual are as follows:



Pay particular attention to texts marked with this symbol. Failure to observe this warning endangers your life, destroys the system, or may lead to loss of data.



This symbol is followed by supplementary information, remarks and tips.

- ▶ Texts which follow this symbol describe activities that must be performed in the order shown. "Quotation marks" indicate names of chapters, disks and terms that are being emphasized.

Important notes



In this chapter you will find information regarding safety which is essential to take note of with your keyboard.

Safety

This device complies with the relevant safety regulations for data processing equipment, including electronic office machines for use in an office environment. If you have any questions, contact your sales office or our customer service.

- Transport the device only in its original packaging or another corresponding packaging to protect it from knocks and jolts.
- If the device is brought into the installation site from a cold environment, condensation can form. Before operating the device, wait until it is absolutely dry and has reached approximately the same temperature as the installation site.
- During installation and before operating the device, observe the instructions on environmental conditions in the chapter "[Technical data](#)".
- Lay all cables so that nobody can stand on them or trip over them.
- Please ensure that no objects (e. g. necklaces, paperclips etc.) or liquids can get into the interior of the device (short circuit).
- The device may only be operated on a low safety voltage (in accordance with IEC 950/EN 60950).
- The keyboard interface of the system unit (5 V supply voltage) must have a safety fuse with a maximum of 5 A.
- Data cables for peripherals must be adequately insulated to avoid interference.
- Use cleansing tissues to clean the outside of the keyboard.
Do not use any cleaning agents that contain abrasives or may corrode plastic.
- Keep this Operating Manual together with your device. If you pass on the device to third parties, you should also pass on this manual.

Manufacturer's note

CE certificate



The shipped version of this device complies with the requirements of the EEC directive 89/336/EEC "Electromagnetic compatibility".

Disposal and recycling

This device has been manufactured to the greatest possible degree from materials which can be recycled or disposed of in a manner that is not environmentally damaging. The device is taken back after use, so that it can be recycled, provided that it is returned in a condition which is the result of normal use. Any components not recuperated will be disposed of in an environmentally acceptable manner.

If you have any questions on disposal, please contact your local office, our service department, or, directly:

Siemens AG
Recycling Center
D-33106 Paderborn

Tel.: ++ 49 5251 - 818 010/ Fax: ++ 49 5251 - 818 015

FCC Class B Compliance Statement

If there is an FCC statement on the device, then:

The following statement applies to the products covered in this manual, unless otherwise specified herein. The statement for other products will appear in the accompanying documentation.

NOTE:

This equipment has been tested and found to comply with the limits for a "Class B" digital device, pursuant to Part 15 of the FCC rules and meets all requirements of the Canadian Interference-Causing Equipment Regulations. These limits are designed to provide reasonable protection against harmful interference in a residential installation. This equipment generates, uses and can radiate radio frequency energy and, if not installed and used in strict accordance with the instructions, may cause harmful interference to radio communications. However, there is no guarantee that interference will not occur in a particular installation. If this equipment does cause harmful interference to radio or television reception, which can be determined by turning the equipment off and on, the user is encouraged to try to correct the interference by one or more of the following measures:

- Reorient or relocate the receiving antenna.
- Increase the separation between equipment and the receiver.
- Connect the equipment into an outlet on a circuit different from that to which the receiver is connected.
- Consult the dealer or an experienced radio/TV technician for help.

Siemens AG is not responsible for any radio or television interference caused by unauthorized modifications of this equipment or the substitution or attachment of connecting cables and equipment other than those specified by Siemens AG. The correction of interferences caused by such unauthorized modification, substitution or attachment will be the responsibility of the user.

The use of shielded I/O cables is required when connecting this equipment to any and all optional peripheral or host devices. Failure to do so may violate FCC rules.

Connecting the keyboard



Please note the information provided in the chapter "Important notes" in the Operating Manual of the PC or in the manual "Safety and Ergonomics".

Depending on what you have ordered, your delivery package will contain the following components:

- one keyboard KBPC M
- a telephone handset with support and telephone handset cable (optional)
- a headset with adapter (optional)
- a keyboard cable to connect to the PC
- this Operating Manual

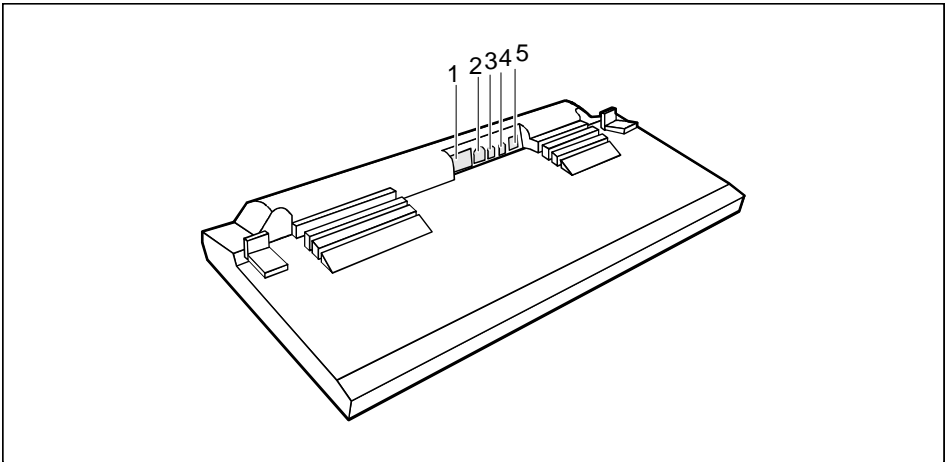
Preparatory measures for using the telephone handset with support holder (if included in the delivery package)

The support for the telephone handset can be locked into the left or right of the keyboard or used as a standalone support.

- ▶ If necessary, remove the support holder, turn it around and refit it.
- ▶ Lock the support for the telephone handset into the keyboard or place it next to the keyboard.
- ▶ Connect the handset cable to the handset.

Connections on the keyboard

The connection sockets are located on the underside of the keyboard:



- 1 = Socket for keyboard cable
- 2 = Mouse port
- 3 = Port for external microphone

- 4 = Stereo headphones port
- 5 = Socket for telephone handset/headset

The keyboard cable supplied has a 15-pin connector for connection to the keyboard and four round connectors for connection to the system unit.

Connecting cables to the keyboard

- ▶ Plug the 15-pin connector of the keyboard cable into socket (1) of the keyboard and secure it using the knurled screw.
- ▶ Plug the connector of a PS/2 mouse into the mouse port (2) of the keyboard.
- ▶ If required, attach the connector of the telephone handset cable or headset cable to port (5) of the keyboard using an adapter (depending on whether you want to use a handset or a headset).
- ▶ If required, connect an external microphone to the microphone port (3) of the keyboard.
- ▶ If required, connect stereo headphones to the headphone socket of the keyboard (4).

i

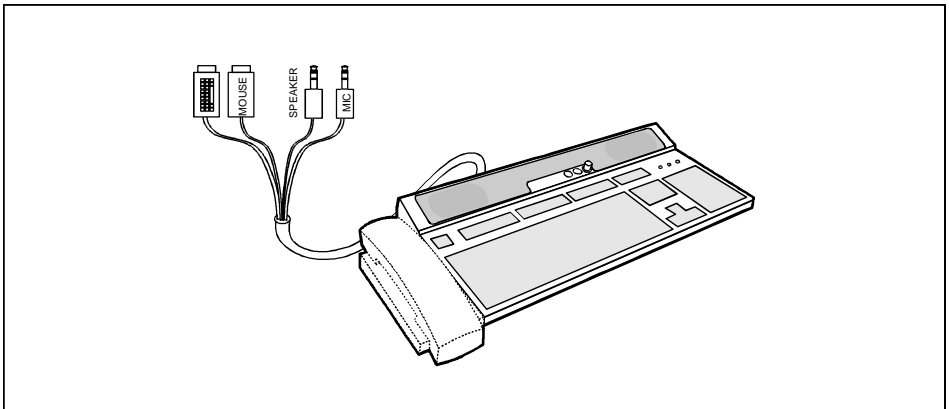
In place of an external microphone or stereo headphones you can also use the headset without adapter that is provided if you connect it to the appropriate port (3 or 4).

If you connect an external microphone or stereo headphones, the corresponding integrated devices (microphone, loudspeakers) are disabled.

- ▶ Route all cables that you have connected to the keyboard in the guide channels provided on the underside of the keyboard.

Connecting cables to the system unit

- ▶ Be sure that the system unit is switched off.



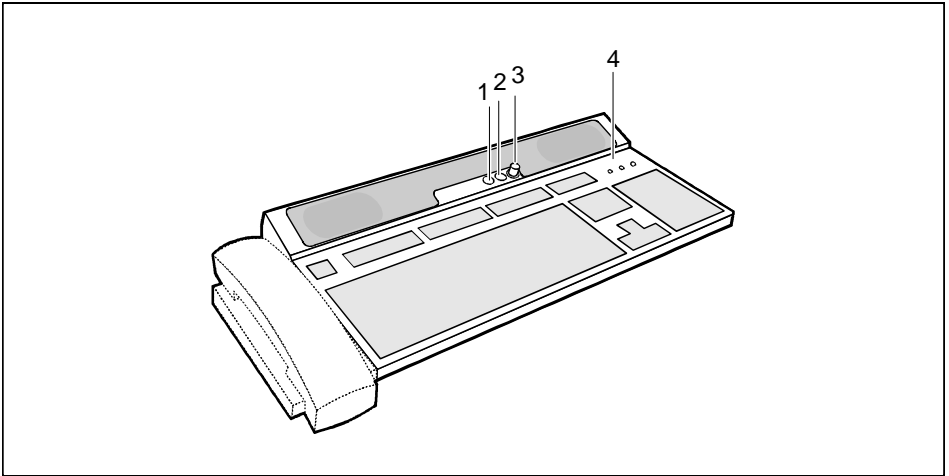
- ▶ Plug the connector with the keyboard symbol into the keyboard socket of the system unit.
- ▶ Plug the connector labeled "MOUSE" into the mouse port of the system unit.
- ▶ Plug the connector labeled "SPEAKER" into the loudspeaker socket of the system unit (audio board).

i

If the loudspeaker output of your modem is not routed via the audio board, you can plug the connector labeled "SPEAKER" into the modem board. In this case, the loudspeakers are not stereo.

- ▶ Plug the connector labeled "MIC" into the microphone port of the system unit (modem board).

Operation



1 = Volume key for telephone handset

2 = Hands-free button with indicator

3 = Volume control

4 = ON/OFF switch

Volume key for telephone handset (1)

This key is used to set the volume of the telephone handset to high or low.

Hands-free button with indicator (2)

This button allows you to switch between telephone handset/headset operation and hands-free operation with microphone and loudspeaker. The indicator lights up green when hands-free operation is switched on.

Volume control (3)

This control lets you adjust the volume of the integrated loudspeakers or stereo headphones connected at the keyboard. The volume of the telephone handset is not affected by this control.

ON/OFF switch (4)

The ON/OFF switch on the keyboard only functions on PCs which can be switched to the ready state and has a similar function: Depending on the setting in the *BIOS-Setup* the system can be switched on or off using this switch. Detailed information on the ON/OFF switch is provided in the PC Operating Manual.

Information on setting up the telephone (optional)



Further information on operating the telephone is provided in the documentation for your communications software. Please also read the documentation on your audio board and modem board.

Before you use the telephone you should check that the microphone and loudspeakers are working. You should set up the loudspeakers and microphone in the audio software (e. g. Audiomixer) so as to ensure good sound quality at the telephone handset. If feedback occurs, set the microphone to lower sensitivity.

Recording with the microphone

To ensure good recording quality you should use the telephone receiver. (The indicator on the hands-free button must be dark.)

In the audio software set the microphone to medium to high sensitivity.

Information on using the headset (optional)

The headset is light and can be used both for speaking and listening (combination of headphones and microphone). The directivity of the microphone and the ergonomically designed earphone ensure that what you say is understandable even when your environment is loud.



High volume is dangerous for your ear. Before attaching the headset to your ear, check the volume by moving the headset slowly toward your ear.

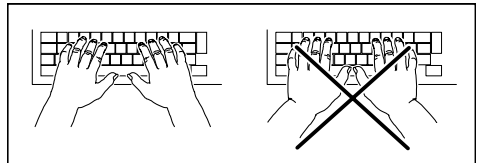
Remember that different sound sources (modem, CD player, line-in etc) can be set to different volumes.

Writing using the keyboard

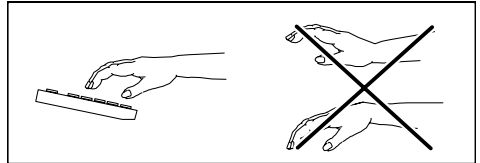
The keyboard is of ergonomic design to ensure ease-of-operation.

Inconvenient arrangement of the input and output devices, awkward arm movements or posture, or working with the keyboard or mouse for lengthy periods without a break can lead to tenseness, fatigue and damage to the locomotor system (nerves, muscles, tendons and joints). You can considerably reduce the risk of this happening if you follow the advice given below.

- Arrange your workplace in accordance with the recommendations for an ergonomic workstation provided in the PC Operating Manual.
- Position the keyboard so that you can use it without any noticeable strain. The keyboard should be parallel to the upper part of your body. This prevents any tension in shoulders and arms.
- The distance between the keyboard and the edge of the desk should be 5 to 10 cm.
- When typing, hold your hands and forearms so that they form as natural a line as possible. Do not turn your hands too far to the left or right.



- Keep your wrists straight while typing. Do not angle your hands either up or down.



- Do not rest your hands on the balls of your thumbs while typing, and do not strike the keys too hard.
- Relax your hands by occasionally taking a break from typing. During these breaks you should rest your hands on the balls of your thumbs or place your arms on the armrests of your chair.
- When you feel the need, do some exercises to loosen up.

Technical data

Dimensions and weight

Dimensions (HxWxD):	59 mm x 227 mm x 459 mm
Tilt adjustment:	6° and 12°
Weight:	1,5 kg
Keyboard cable:	1.5 m

Electrical data

Power consumption:	< 600 mA at 5 V
Loudspeaker input:	> 10 k Ω
Loudspeaker output:	2 x 1 W
Capacitor microphone:	1.6 k Ω at 1 kHz

Interfaces

Keyboard:	AT03
Mouse:	PS/2
Microphone:	3.5 mm jack
Stereo headphones:	3.5 mm jack

Environmental conditions

Ambient temperature:	15°C to 32°C
----------------------	--------------

Standards

Industry standard:	MF-II-compatible 104/105 key arrangement
System compatibility:	AT-, XT and PS/2 systems AT/XT automatic changeover
Product safety:	IEC950/EN60950 VDE0805 (CSA C22.2 No. 950 in preparation)
Ergonomics:	GS symbol (ZH1/618) ISO 9241-4/EN 29241-4
RF interference and suppression:	CE mark as per EG guideline 89/336/EWG (EN55022/B, EN500082-1) FCC Class B prepared

Contents

Introduction	1
System requirements	1
Notational conventions	2
Important notes	2
Safety	2
Manufacturer's note	3
Disposal and recycling	3
FCC Class B Compliance Statement	3
Connecting the keyboard	4
Connecting cables to the keyboard	5
Connecting cables to the system unit.....	5
Operation	6
Information on setting up the telephone (optional).....	7
Information on using the headset (optional)	7
Writing using the keyboard.....	8
Technical data	9

A26381-K276-Z100-3-5E19

KBPC M

Operating Manual

November 1998 edition

Copyright © Siemens AG 1997, 1998.

All rights, including rights of translation, reproduction by printing, copying or similar methods, even of parts are reserved.

Offenders will be liable for damages.

All rights, including rights created by patent grant or registration of a utility model or design, are reserved.

Delivery subject to availability. Right of technical modification reserved.