

- ▶ Push the rear slot cover plate into the slot (1). Ensure that the point of the cover engages into the guide (a).
- ▶ Replace the clip (2) which fixes the board. Make sure that the clip engages when released (3).
- ▶ Close the system unit (see "[Assembling the system unit](#)").



If you have installed or removed a PCI board, please check in the *BIOS Setup* the settings for the relevant PCI slot. If necessary, change the settings. Further information is provided in the documentation for the PCI board.

Installing and removing drives

The system unit houses a total of three accessible drives (two 5 1/4-inch drives and one 3 1/2-inch drive) and two non-accessible half-height (Slimline) drives .

IDE drives

By default four IDE drives are supported. Ideally hard disks are connected to IDE port 1, and accessible IDE drives, for example CD-ROMs, to IDE port 2 (see also the Technical Manual for the system board).

SCSI drives

If you want to install an SCSI drive, you require an SCSI controller and an SCSI cable. Note that:

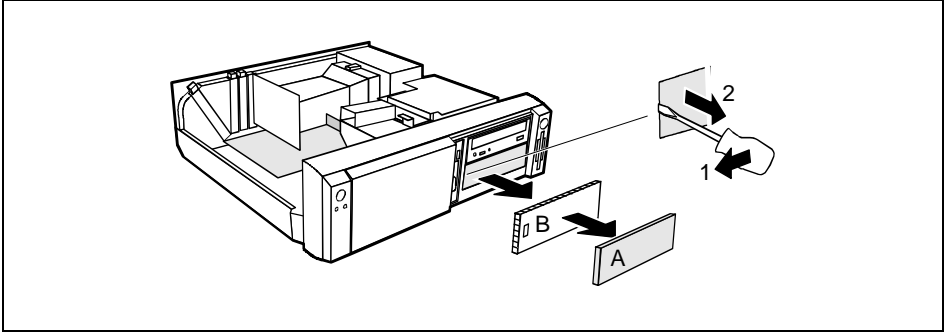
- not every SCSI controller is suitable for operating SCSI hard disks
- each SCSI device must be assigned its own SCSI-ID.
- the SCSI cable must always be terminated at the end, either by a drive or by a terminating resistor on the cable. The terminating resistors of all other SCSI devices attached must not be activated or connected.
- depending on the SCSI technology (UW, U2W), an adapter may be required for connecting the SCSI drives with a 50-pin connector.

Installing an accessible drive

- ▶ Open the system unit (see "[Opening the system unit](#)").



Should the chipcard reader get in the way of the accessible drive during installation, then remove the reader (see "[Installing/removing a chipcard reader](#)").

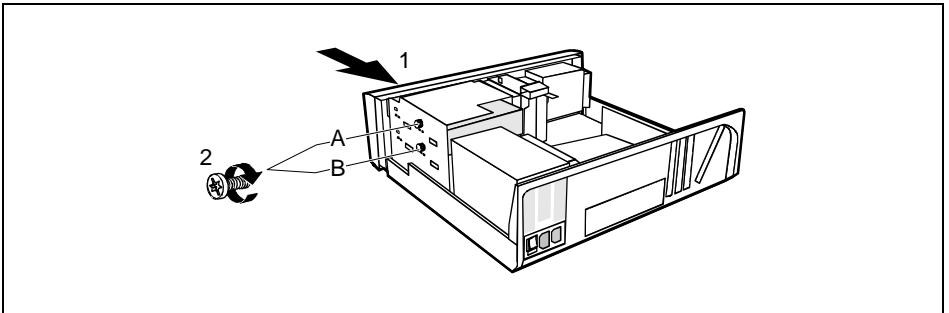


- ▶ Pry the plastic drive cover (A) out of the front cover.
- ▶ Pry the shielding plate (B) on left-hand side out of the bay.



Do not throw away the covers. If you remove the drive again later, you will have to reinstall the covers.

- ▶ Take the new drive out of its packaging.
- ▶ Make the required settings on the drive (if necessary, on installed drives as well).



A = Position of the screw for the upper drive

B = Position of the screw for the lower drive

- ▶ Slide the drive into the system unit (1).
- ▶ Plug the data and the power supply connectors into the drive.
- ▶ Fasten the drive with the screw (2).
- ▶ If you have removed the chipcard reader, then reinstall it.

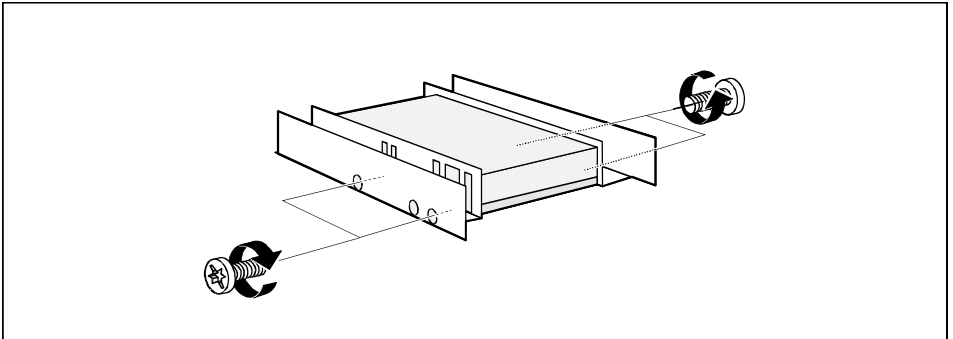
- ▶ Close the system unit (see "[Assembling the system unit](#)").

i

If necessary, you must adapt the entry for the drive in the Setup menu.

Installing a hard disk drive in the front bay

- ▶ Open the system unit (see "[Opening the system unit](#)").
- ▶ Make the required settings (e.g. master-slave) on the hard disk drives.

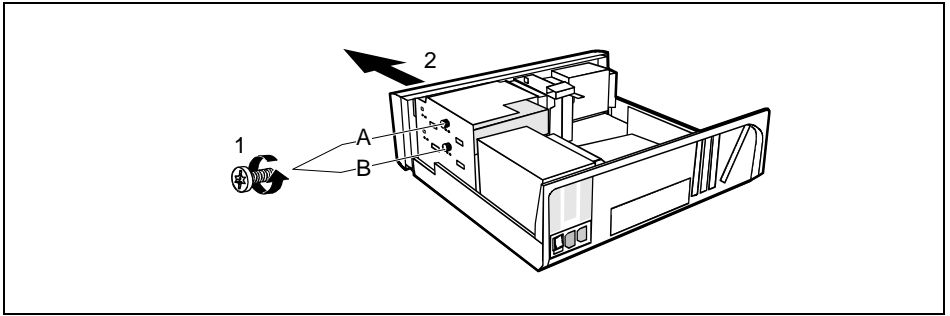


- ▶ Fasten the drive with the four screws (2).
- ▶ Install the installation frame with the drive in the desired front bay (see "[Installing an accessible drive](#)").
- ▶ Close the slot with the panel. Ensure that the cover engages.
- ▶ Close the system unit (see "[Assembling the system unit](#)").

Removing an accessible drive

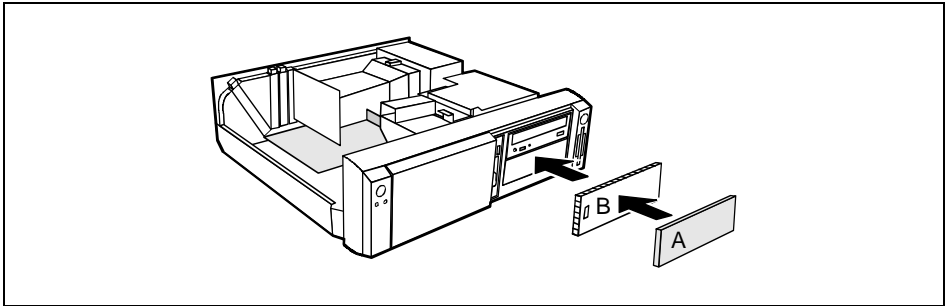
- ▶ Open the system unit (see "[Opening the system unit](#)").
- ▶ Pull the data and the power supply connectors from the desired drive.

i Should the chipcard reader get in the way of the accessible drive during installation, then remove the reader (see "[Installing/removing a chipcard reader](#)").



A = Position of the screw for the upper drive
B = Position of the screw for the lower drive

- ▶ Remove the relevant screw (1) and take the drive out of the system unit (2).



- ▶ Insert the shielding plate (B) on the right-hand side on the installation bay and press it in.
- ▶ Press the plastic drive cover (A) into the front panel until it snaps in place.
- ▶ If you have removed the chipcard reader, then reinstall it.
- ▶ Close the system unit (see "[Assembling the system unit](#)").

i If necessary, you must adapt the entry for the drive in the Setup menu.