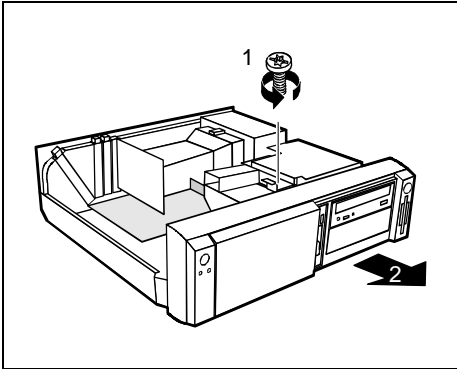
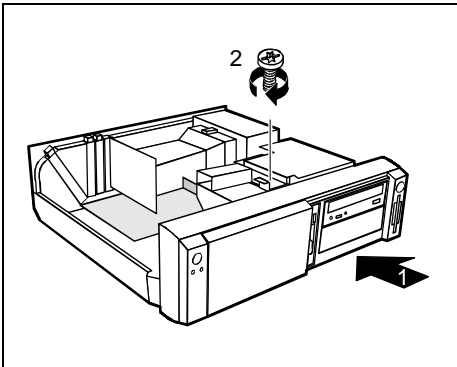


Changing the floppy disk drive

- ▶ Open the system unit (see "[Opening the system unit](#)").
- ▶ Remove the hard disk carrier (see "[Installing and removing the hard disk drive](#)").



- ▶ Pull the data and the power supply connectors from the floppy disk drive.
- ▶ Remove the screw (1) and take the drive out of the system unit (2).
- ▶ Take the new floppy disk drive out of its packaging.



- ▶ Push the drive into the system unit (1), and fix it with the screw (2).
- ▶ Plug the data and the power supply connectors into the floppy disk drive.
- ▶ Remove the hard disk carrier (see "[Installing and removing the hard disk drive](#)").
- ▶ Close the system unit (see "[Assembling the system unit](#)").

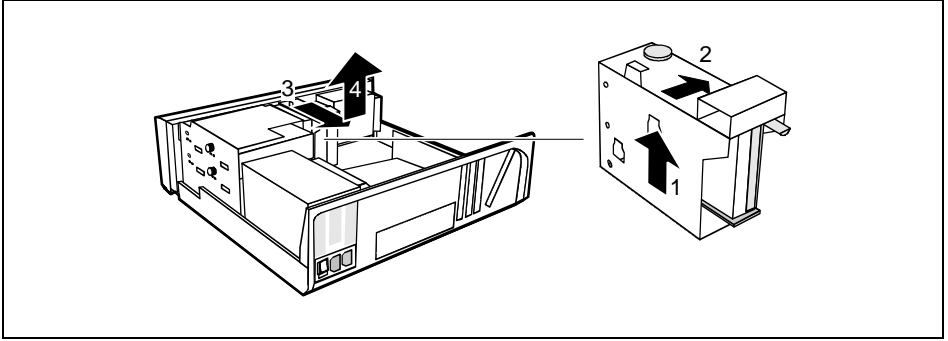


If necessary, you must adapt the entry for the drive in the Setup menu.

Installing and removing the hard disk drive

- ▶ Open the system unit (see "[Opening the system unit](#)").

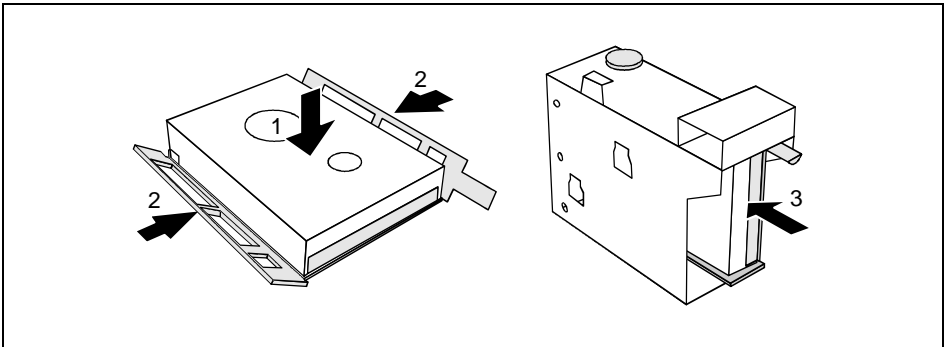
Removing the hard disk carrier



- ▶ Lift the hard disk carrier out of the mounting in the direction of the arrow (1) and (2).
- ▶ Lift the hard disk carrier out of the system unit in the direction of the arrow (3) and (4).
- ▶ Pull the data and power supply connectors from the hard disk drive or the hard disk drives.

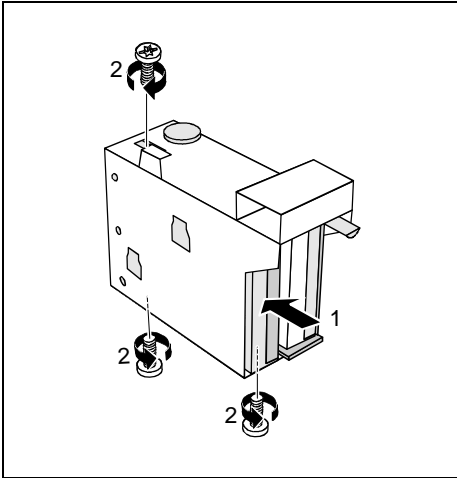
Installing the first hard disk drive

- ▶ Take the new hard disk drive out of its packaging.
- ▶ Make the required settings (e.g. master/slave, stand alone) on the drives.



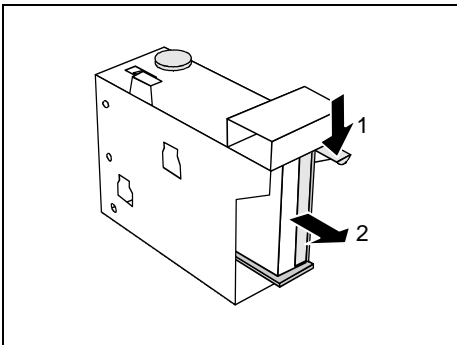
- ▶ Insert the hard disk drive into the plastic bracket (1). The drive must engage in the plastic nipple.
- ▶ Fold the plastic bracket in the direction of the arrow (2) on the hard disk drive.
- ▶ Push the hard disk drive into the drive carrier until the plastic bracket engages (3).

Installing the second hard disk drive

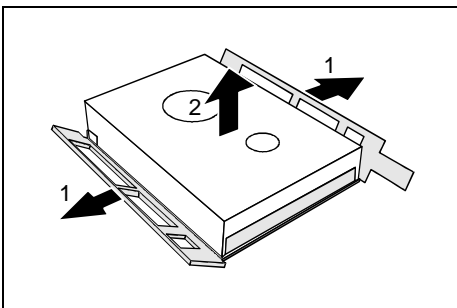


- ▶ Take the new hard disk drive out of its packaging.
- ▶ Make the required settings (e.g. master/slave, stand alone) on the drives.
- ▶ Slide the hard disk drive into the drive carrier (1).
- ▶ Fasten the drive with the screws (2).

Removing the first hard disk drive

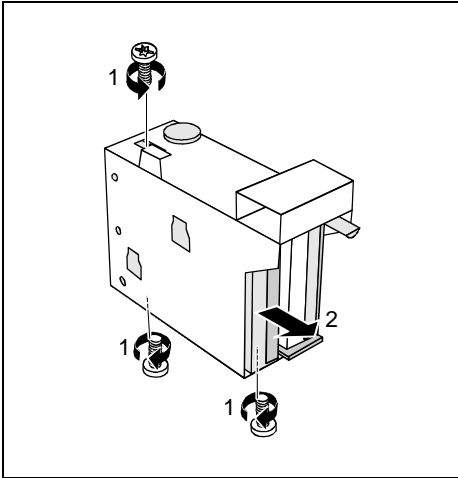


- ▶ Lightly press on the clip (1).
- ▶ Pull the hard disk drive out of the carrier (2).



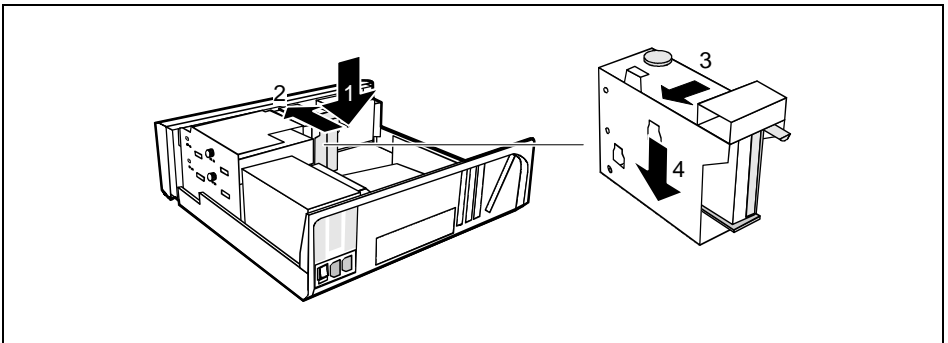
- ▶ Fold the plastic bracket in the direction of the arrow (1).
- ▶ Remove the hard disk drive (2).

Removing the second hard disk drive



- ▶ Remove the screw (1).
- ▶ Pull the hard disk drive out of the carrier (2).
- ▶ Make the required settings on the remaining hard disk drive (e.g. stand alone).

Installing the hard disk carrier



- ▶ Plug the data and the power supply connectors into the hard disk drive or into the hard disk drives.
- ▶ Lift the hard disk carrier into the system unit in the direction shown by the arrow (1) and push it forward until it engages (2).
- ▶ Press the hard disk carrier in the direction of the arrow (3) and press it downward (4).
- ▶ Close the system unit (see "[Assembling the system unit](#)").



If necessary, you must adapt the entry for the drive in the Setup menu.