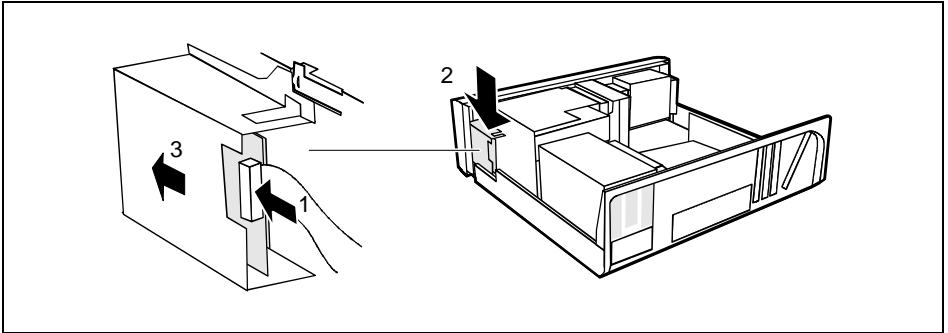


Installing/removing a chipcard reader

- ▶ Open the system unit (see "[Opening the system unit](#)").

Installing a chipcard reader

- ▶ Remove the protector panel at the front of the carrier.
- ▶ Push the chipcard reader board into the guide rail of the carrier with the component's side toward the panel.
- ▶ Fix the board with the screw.

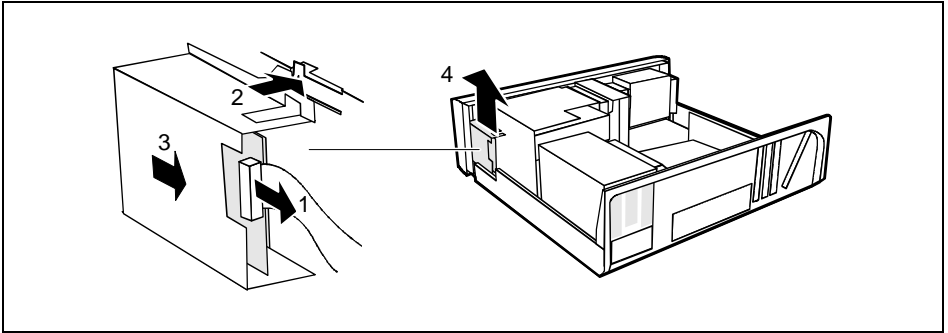


- ▶ Fix the cable on the chipcard reader (1) and on the connector for the chipcard reader on the system board (see the Technical Manual of the system board).
- ▶ Lift the chipcard reader into the system unit (2).
- ▶ Push the chipcard reader in the direction of the arrow (3) until it clicks into position. Press downward and toward the drive cage while doing so.



With the chipcard reader connected, no devices may be connected to serial port 2.

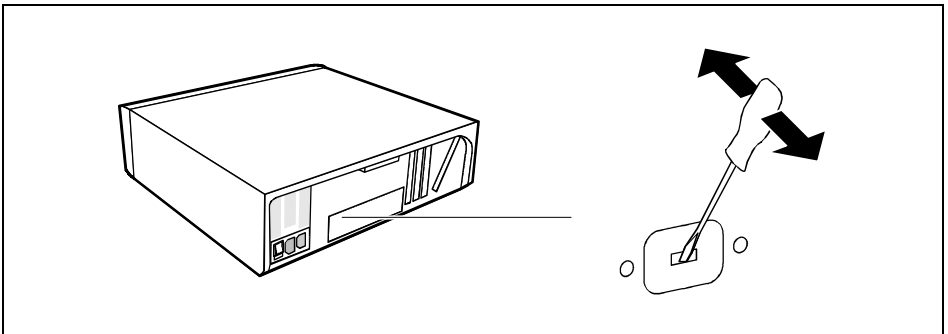
Removing a chipcard reader



- ▶ Pull the cable off the chipcard reader (1) and off the connector for the chipcard reader on the system board (see the Technical Manual of the system board).
- ▶ Press on the clip (2).
- ▶ Pull the chipcard reader in the direction of the arrow (3).
- ▶ Lift the chipcard reader out of the system unit (4).

Installation opening for 2nd serial port

An installation opening for the 2nd serial port is provided on the back of the casing. As a result, this means no board slot is occupied.



- ▶ Insert a screwdriver into the opening and break out the pre-stamped installation opening by moving back and forth.

Extensions on the system board

Details of how and if you can upgrade the main memory or the processor of your PC are provided in the Technical Manual for the system board. Below the necessary steps are described to enable you to work on the system board.

Open the system unit (see „[Opening the system unit](#)“).

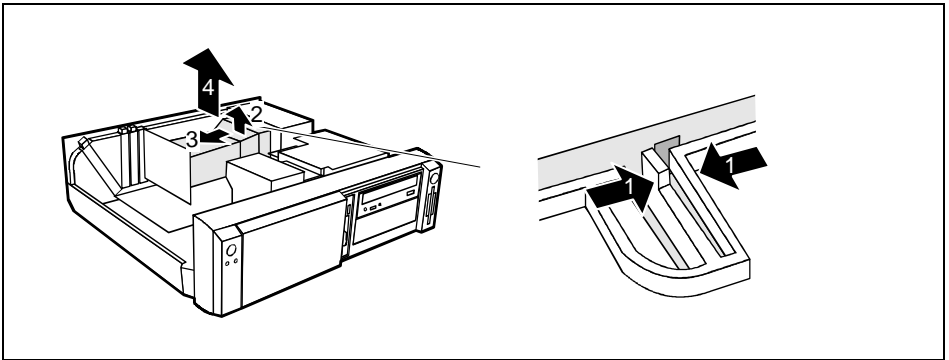
Upgrading main memory

- ▶ Upgrade the memory as it is described in the Technical Manual for the system board.
- ▶ Close the system unit (see "[Assembling the system unit](#)").

Replacing processor and lithium battery

To replace the processor and the lithium battery, you must remove the ventilation duct.

Removing ventilation duct



- ▶ Press the clip together (1).
- ▶ Lift the ventilation duct slightly (2) and guide the ventilation duct out of the guide holes (3).
- ▶ Remove the ventilation duct from the unit (4).

You have free access to the locations.

Replacing processor

- ▶ Make the desired expansions (see the Technical Manual for the system board).

Replacing lithium battery

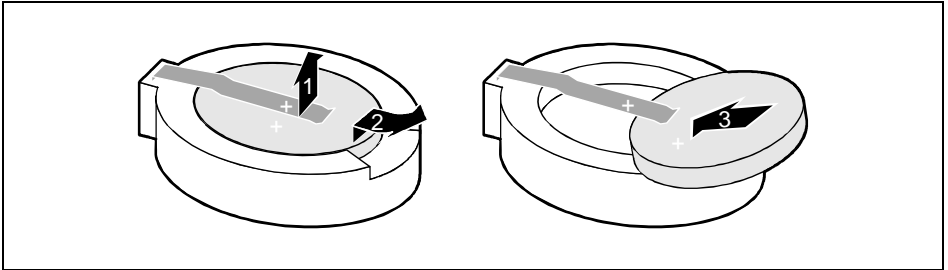


Incorrect replacement of the lithium battery may lead to a risk of explosion.

The lithium battery may be replaced only with an identical battery or with a type recommended by the manufacturer.

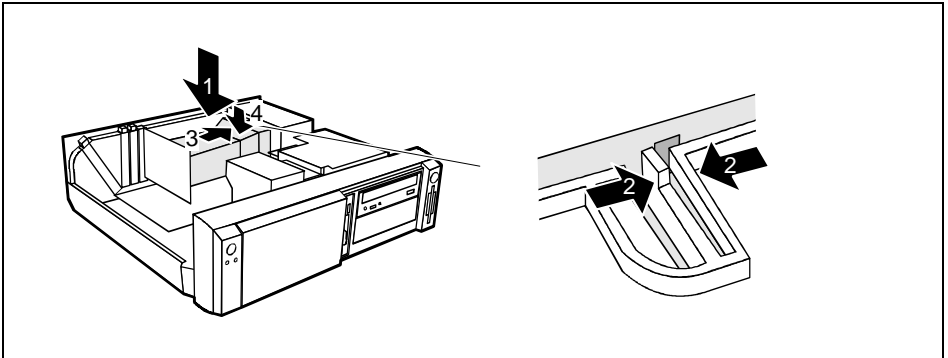
Do not throw lithium batteries into the trashcan. It must be disposed of in accordance with local regulations concerning special waste.

Make sure that you insert the battery the right way round. The plus pole must be on the top!



- ▶ Lift the contact (1) a few millimeters and remove the battery from its socket (2).
- ▶ Insert a new lithium battery of the same type in the socket (3).

Installing ventilation duct



- ▶ Lift the ventilation duct into the unit (1)
- ▶ Press the clip together (2).
- ▶ Insert the ventilation duct into the guide holes (3) in the power supply.
- ▶ Push the ventilation duct downward until the clip engages (4).
- ▶ Close the system unit (see "[Assembling the system unit](#)").

Technical data

Electrical data

Regulations complied with:	EN 60950 / VDE 0805 UL 1950 CSA 22.2 No.950
Protection class:	I
Rated voltage range: (selectable)	100 V to 125 V / 200 V to 240 V
Frequency:	50 Hz - 60 Hz
Max. rated current	
• System unit with monitor socket:	100 V -125 V/5.5 A 200 V -240 V/3.0 A
• Monitor socket (output)	100 V -125 V/3 A 200 V -240 V/1.5 A
Maximum power draw in operation:	< 60 W *)
Minimum power draw in operation: reduced by Windows 9x <i>Power management advanced_</i>	< 35 W *)
Power draw in energy saving mode:	< 30 W *)
Power draw in the 'ready' status	< 5 W *)
Noise emission:	Sound power level ($L_{WA(d)}$) < 55 dB (A) *)
*) These values only apply for a SCENIC 600 with the configuration below. When additional or other components are incorporated, the power consumption or the sound emission ($L_{WA(d)}$) in energy saving mode may exceed the requirements for the environment symbol ("Blue Angel") (30 W or 55 dB).	
Processor (512 Kbyte cache):	Pentium III Processor at 600 MHz
Main memory:	192 Mbytes
Floppy disk drive:	1.44 Mbytes
Hard disk drive:	6.4 GByte
CD-ROM drive:	32fold
Graphics:	Matrox MGA G100 AGP
LAN:	10/100 MBit Ethernet Controller onboard

Dimensions

Width/depth/height: 454 mm/475 mm/ 138 mm

Weight

in basic configuration ca. 11 kg (107.9 N) in basic configuration

Environmental conditions

Environment class (3K2)	DIN IEC 721 part 3-3
Environment class (2K2)	DIN IEC 721 part 3-2

Temperature:

- Operating (3K2) 15 °C 35 °C
- Transport (2K2) -25 °C 60 °C

Condensation in operating must be avoided.

Clearance required to ensure adequate ventilation:

- left-hand side min. 200 mm
- front min. 200 mm
- rear min. 200 mm



Do not place several system units one above the other.

Index

2

2nd serial port, installation opening 42

A

Accessible drive

installing 34

removing 36

Accumulator, disposal 4

Activating, security measures 23

Alphanumeric keypad 20

Alt Gr key 21

Anti-theft protection 24

Assembling, PC 30

Audio input 11

Audio output 11

B

Battery 44

disposal 4

BIOS Setup 23

security functions 24

Board 3

installing 31

removing 31

C

Cable

connecting 10

disconnecting 10

Cabling, PC 10

Calculator keypad 20

Casing

assembling 30

opening 29

Casing lock 15

CD-ROM drive

indicator 19

installing 34

manual 28

removing 36

CE certificate 5

Changing

floppy disk drive 37

hard disk drive 38

lithium battery 44

Checking

rated voltage 14

Chipcard reader 11

- indicator 20
- Class B Compliance Statement 5
- Cleaning 8
- Clearance 46
- Configuration, BIOS-Setup 23
- Connecting
 - cables 10
 - devices 10
 - keyboard 12
 - monitor 13
 - mouse 12
 - parallel port 12
 - power voltage 14
 - serial port 12
- Connecting to power voltage 14
- Contents of delivery 9
- Control key 21
- Courier 1
- Ctrl key 21
- Ctrl+Alt+Del 21
- Cursor control keys 20

D

- Dark screen 26
- Data protection 23
- Data, technical 45
- Date, not correct 27
- Devices
 - connecting 10
 - interface 11
- Dimensions 45
- Diskette 22
 - write-protection 22
- Display, cleaning 8
- Disposal 4
- Drive 33
- Drive cover 15
- Drive, hard disk drive, installing 35

E

- Earphone 11
- Electrical data 45
- Electromagnetic compatibility 5
- Energy saving 4
- Enter key 21
- Environmental conditions 46
- Environmental data 46
- Ergonomic, video workstation 10
- Error
 - date 27
 - floppy 27
 - mouse 27
 - screen 26
 - System unit 25

- time 27
- Error message 27
- ESD 3
- Euro key 21
- Expansion 29
- External devices
 - connecting 10
 - ports 11
- F**
- FCC statement 5
- First time, switching on 17
- Flashing power-on indicator 19
- Floppy disk drive
 - changing 37
 - indicator 20
 - removing 36
- Floppy disk, cannot be read or written 27
- Function keys 20
- G**
- Game port 11
- Green, power-on indicator 19
- Guarantee coupon booklet 9
- H**
- Hard disk carrier
 - installing 40
 - removing 38
- Hard disk drive
 - installing 35
 - replacing 38
- Hard disk indicator 19
- I**
- IDE drives 33
- Important notes 3
- Indicator
 - power-on indicator fails to light 25
 - remains blank 26
- Indicators, on the PC 19
- Installation opening, 2nd serial port 42
- Installing
 - accessible drive 34
 - board 31
 - hard disk carrier 40
 - hard disk drive 38, 39
 - new Software 25
 - ventilation duct 44
- Insufficient memory 28
- Interfaces 11
- Italics 1

Index

K

- Kensington Lock 24
- Key combination 21
- Keyboard 20
 - cleaning 8
 - connecting 12
- Keyboard port 11
- Keys 21

L

- LAN-port 11
- Lead-sealing 24
- Line in 11
- Line out 11
- Lithium battery 43
 - replacing 44
- Lock 15
- Locking, PC 15

M

- Main memory 43
- Main switch 16
- Manuals, further 28
- Manufacturer's notes 4
- Memory, upgrading 43
- Menu key 21
- Message indicator 19
- Microphone jack 11
- Monitor
 - connecting 13
 - transporting 7
- Monitor port 11
- Mouse
 - cleaning 8
 - connecting 12
 - error 27
- Mouse port 11

N

- New Installation, Software 25
- No screen display 26
- Noise level 45
- Not enough memory 28
- Notational conventions 1
- Note
 - boards 3
 - CE certificate 5
 - disposal 4
 - energy saving 4
 - important 3
 - manufacturer 4
 - power cord selection 6
 - safety 3
- Num Lock key 21

Numeric keypad 20

O

ON/OFF switch 16, 21

Opening, system unit 29

Operation 9

Orange, power-on indicator 19

Other manuals 28

Overview

PC 1

preparing for use 9

P

Packing material 9

Parallel port 11

connecting devices 12

PC

cabling 10

cannot boot 25

cleaning 8

closing 30

connecting 10

connecting to power voltage 14

indicators 19

locking 15

opening 29

ports 11

setting up 10

switching off 16, 18

switching on 16, 18

switching on for the first time 17

transporting 7

unlocking 15

Ports, external devices 11

Power cord selection 6

Power management 28

Power-on indicator 16, 19

dark 25

Preparation for use 9

Preparing for use, overview 9

Printer 11

Problems 25

Processor 43

replacing 43

Property protection 23

PS/2 mouse port 11

Q

Quiet Boot 26

R

Rated voltage, setting 14

Ready-to-operate 16

Recycling 4

- Reinstalling, hard disk contents 28
- Removing
 - accessible drive 36
 - board 31
 - hard disk carrier 38
 - hard disk drive 39, 40
 - ventilation duct 43
- Replacing
 - board 31
 - hard disk drive 38
 - lithium battery 44
- Restoring, hard disk contents 28
- Return key 21

S

- Safety 3
- Screen blank 17, 18, 26
- Screen blanking 4
- SCSI drives 33
- SCSI port 11
- Security function 24
- Security functions
 - casing lock 23
 - Chipcard 23
 - MS-Windows 23
- Security measures 23
- Select, power cord 6
- Serial port 11
 - connecting devices 12
- Setting, rated voltage 14
- Settings, BIOS Setup 23
- Setup, see BIOS Setup
- Shift key 21
- Soft Power Off 18
- Software, New Installation 25
- Start key 21
- Streamer
 - installing 34
 - removing 36
- Summer time 27
- Surface 45
- Switching off, PC 16, 18
- Switching on, PC 16, 18
- Symbols, explanation of 1
- System board, extensions 43
- System expansion 29
- System settings, BIOS Setup 23
- System unit, see PC

T

- Technical data 45
- Time, not correct 27
- Tips 25, 28
- Transport 7

Trouble

- floppy 27
 - mouse 27
 - screen 26
 - System unit 25
- Troubleshooting 25

U

- Unlocking, PC 15
- Unpacking 9
- Upgrading, memory 43
- USB, Universal Serial Bus 11

V

- Ventilation area 46
- Ventilation duct
 - installing 44
 - removing 43
- VESA (DPMS) 4
- Video workstation 10

W

- Warm boot 21
- Weight 45
- Winter time 27
- Write protection, floppy 22