

SCENIC 600 / SCENIC xB

OPERATING MANUAL



FUJITSU COMPUTERS
SIEMENS

Is there ...

... any technical problem or other question you need clarified?

Please contact:

- one of our service partners
- your sales partner
- your sales outlet

The addresses of your service partners are contained in the guarantee booklet or in the service address booklet.

The latest information on our products, tips, updates, etc., can be found on the Internet under:

<http://www.fujitsu-siemens.com>



Dieses Handbuch wurde auf Recycling-Papier gedruckt.
This manual has been printed on recycled paper.
Ce manuel est imprimé sur du papier recyclé.
Este manual ha sido impreso sobre papel reciclado.
Questo manuale è stato stampato su carta da riciclaggio.
Denna handbok är tryckt på recyclingpapper.
Dit handboek werd op recycling-papier gedrukt.

Herausgegeben von/Published by
Fujitsu Siemens Computers GmbH

Bestell-Nr./Order No.: **A26361-K520-Z200-1-7619**

Printed in the Federal Republic of Germany

AG 0500 05/00



A26361-K520-Z200-1-7619

SCENIC 600 / SCENIC xB

Operating Manual

Introduction

Important notes

Preparation for use and operation

Troubleshooting and tips

System expansions

Technical data

Index

Microsoft, MS, MS-DOS, Windows and Windows NT are registered trademarks of Microsoft Corporation.

VESA and DPMS are trademarks of Video Electronics Standards Association.

PS/2 is a registered trademark of International Business Machines, Inc.

Pentium is a registered trademark of Intel Corporation, USA.

Acrobat Reader is a trademark of Adobe Systems Incorporated.

All other trademarks referenced are trademarks or registered trademarks of their respective owners, whose protected rights are acknowledged.

Copyright © Fujitsu Siemens Computers GmbH 2000

All rights, including rights of translation, reproduction by printing, copying or similar methods, even of parts are reserved.

Offenders will be liable for damages.

All rights, including rights created by patent grant or registration of a utility model or design, are reserved.

Delivery subject to availability. Right of technical modification reserved.

Contents

Introduction	1
Notational conventions	1
Important notes	3
Safety	3
Notes on installing and removing boards	3
Manufacturer's notes	4
Energy saving	4
Disposal and recycling	4
CE certificate	5
FCC Class B Compliance Statement	5
Power cord selection	6
Transporting the PC	7
Cleaning the PC	8
Preparation for use and operation	9
Unpacking and checking the delivery	9
Steps for initial setup	9
Setting up the PC	10
Connecting devices	10
Ports for external devices	11
Connecting the keyboard	12
Connecting the mouse	12
Connecting devices with serial or parallel port	12
Connecting the monitor to the line voltage	13
Connecting the PC to the line voltage	14
Unlocking/locking the system unit	15
Switching the PC on and off	16
Switching on the PC for the first time	17
Switching on the PC	18
Switching off the PC	18
Indicators on the system unit	19
Keyboard	20
Important keys and key combinations	21
Working with floppy disks	22
Settings in BIOS Setup	23
Property and data protection	23
Locking the system unit mechanically	23
Access authorization via chipcard	23
Security functions under Windows	23
BIOS Setup security functions	24
Theft protection and lead sealing	24
Troubleshooting and tips	25
Installing new software	25
Power-on indicator remains dark after you have switched on your device	25
The screen stays blank	26
No mouse pointer displayed on the screen	27
The floppy disk cannot be read or written	27
Time and/or date is not correct	28
Error messages on the screen	28
Restoring the hard disk contents	28
Tips 28	28

Contents

System expansions	31
Opening the system unit	31
Assembling the system unit	32
Installing and removing a board	33
Installing and removing drives.....	35
Installing an accessible drive.....	36
Installing a hard disk drive in the front bay	37
Removing an accessible drive.....	38
Changing the floppy disk drive	39
Installing and removing the hard disk drive	40
Installing/removing a chipcard reader.....	43
Installation opening for 2 nd serial port.....	44
Extensions on the system board	44
Upgrading main memory	44
Replacing processor and lithium battery.....	45
Technical data	47
Index	49

Introduction

This Operating Manual tells you how to put your PC into operation and how to operate it in daily use. This description applies for all configuration levels. Depending on the configuration level chosen some of the hardware components described may not be available on your PC. Please observe the notes on your operating system.

Your device is a powerful PC which is suitable for both professional and private use.

Your PC is available in various configuration levels, which differ in hardware and software equipment. In addition, you can incorporate operable drives (for example DAT drive, streamer) and a second hard disk, as well as other boards.

Depending on the configuration level chosen, your PC is supplied with Windows 9x, Windows 2000 or Windows NT as the operating system.

Your PC has a number of security features to ensure that no unauthorized persons can access your data. For example, you can activate a screen saver with password protection. The security functions in the *BIOS Setup* also allow you to protect your data by means of passwords. In addition, you can also lock your PC mechanically using the cover lock. Systems with a chipcard reader offer additional protection.

Further information on this PC is provided:

- in the manual "Safety, Guarantee and Ergonomics"
- in the Operating Manual for the monitor
- in the Technical Manual for the system board
- in the manual "BIOS Setup"
- in the documentation of your operating system
- in the information files (e. g. *.TXT, *.DOC, *.WRI, *.HLP)



Some of the manuals listed can be found on the CD "Drivers & Utilities" provided with your computer. These manuals can be read and printed with the Acrobat Reader contained on the CD.

Notational conventions

The meanings of the symbols and fonts used in this manual are as follows:



Pay particular attention to texts marked with this symbol. Failure to observe this warning endangers your life, destroys the system, or may lead to loss of data.



Supplementary information, remarks and tips follow this symbol.

► Texts which follow this symbol describe activities that must be performed in the order shown.

Texts in this typeface are screen outputs.

Texts in italics indicate commands or menu items.

"Quotation marks" indicate names of chapters and terms that are being emphasized.

Important notes

In this chapter you will find information regarding safety which it is essential to take note of when working with your PC. The manufacturer's notes contain helpful information on your PC.

Safety



Pay attention to the information provided in the manual "Safety, Guarantee and Ergonomics" and to the following notes.

- During installation and before operating the device, please observe the instructions on environmental conditions in the chapter entitled "[Technical data](#)" as well as the instructions in the chapter "[Preparation for use and operation](#)".
- Please check whether the device is set to the local power supply (see chapter "[Preparation for use and operation](#)").
- The main switch and the ON/OFF switch do not disconnect the system unit from the line voltage. To disconnect the line voltage completely, remove the power plug from the grounded power outlet.
- Replace the lithium battery on the system board in accordance with the instructions in the chapter "[System expansions - Replacing processor and lithium battery](#)".
- Caution: components in the system can get very hot.
- Keep this Operating Manual together with your device. If you pass on the device to third parties, you should include this manual.

Notes on installing and removing boards



Boards with electrostatic sensitive devices (ESD) are identifiable by the label shown.

When you handle boards fitted with ESDs, you must observe the following points under all circumstances:

- You must always discharge yourself (e. g. by touching a grounded object) before working.
- The equipment and tools you use must be free of static charges.
- Pull out the power plug before inserting or pulling out boards containing ESDs.
- Always hold boards with ESDs by their edges.
- Never touch pins or conductors on boards fitted with ESDs.

Manufacturer's notes

Energy saving

When the PC is delivered, some energy-saving functions are already set (see the Technical Manual for the system board or the manual "BIOS Setup").

- If you are not using your PC, switch it off.
- In the *BIOS Setup* you may set further energy-saving functions for the PC (see the Technical Manual of the system board or in the manual "BIOS Setup").

Energy saving under Windows NT

If the attached monitor and screen controller support power management in accordance with VESA (DPMS), the screen saver *Powersaver* can be used to switch the monitor into power management mode.

Energy saving under Windows 9x

Using the *DeskLock* program you can lock the mouse and keyboard so that no input can be made. If the attached monitor supports power management in accordance with VESA (DPMS), it can be switched into power-saving mode at the same time.

In addition the *Screen Saver* tab allows you to set energy-saving functions for your screen. Select the following item in the menu: *Start - Settings - Control Panel - Display - Display Properties - Screen Saver - Energy saving features of monitor*.

With the default setting *Control Panel - Power - Advanced* additional energy saving features of Windows 9x are available.

Energy saving under Windows 2000

The *Screen Saver* tab allows you to set energy-saving functions for your screen. Select the following item in the menu: *Start - Settings - Control Panel - Display - Display Properties - Screen Saver - Energy saving features of monitor*.

With the default setting *Control Panel - Power Options - Advanced* additional power management features of Windows 2000 are available.

Disposal and recycling

This device has been manufactured to the greatest possible degree from materials which can be recycled or disposed of in a manner that is not environmentally damaging. The device is taken back after use, to be recycled, provided that it is returned in a condition that is the result of normal use. Any components not reclaimed will be disposed of in an environmentally acceptable manner.



For devices marked with this symbol Fujitsu Siemens Computers GmbH offers a guarantee for **36 months** with a **Bring-in-Service**. The guarantee starts on the day of delivery (sale date) by Fujitsu Siemens Computers GmbH or a Fujitsu Siemens partner.

We herewith declare that it will be possible to repair any device marked with the eco-label for at least 5 years after production of that device has discontinued.

Information on power management and energy saving mode can be found in chapter "[Technical data](#)".

Do not throw lithium batteries or accumulators into the trashcan. They must be disposed of in accordance with local regulations concerning special waste.

If you have any questions on disposal, please contact your local office, our customer service center, or:

Fujitsu Siemens Computers GmbH
Recyclingcenter
D-33106 Paderborn

Tel.: ..49 5251 818010

Fax: ..49 5251 818015

CE certificate



The shipped version of this device complies with the requirements of the EEC directives 89/336/EEC "Electromagnetic compatibility" and 73/23/EEC "Low voltage directive".

FCC Class B Compliance Statement

If there is an FCC statement on the device, then:

The following statement applies to the products covered in this manual, unless otherwise specified herein. The statement for other products will appear in the accompanying documentation.

NOTE:

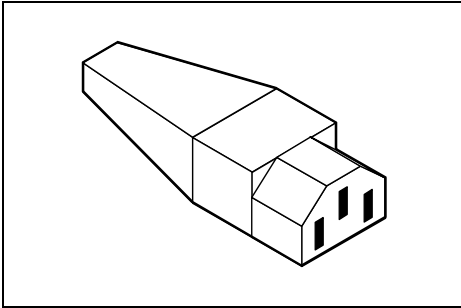
This equipment has been tested and found to comply with the limits for a "Class B" digital device, pursuant to Part 15 of the FCC rules and meets all requirements of the Canadian Interference-Causing Equipment Regulations. These limits are designed to provide reasonable protection against harmful interference in a residential installation. This equipment generates, uses and can radiate radio frequency energy and, if not installed and used in strict accordance with the instructions, may cause harmful interference to radio communications. However, there is no guarantee that interference will not occur in a particular installation. If this equipment does cause harmful interference to radio or television reception, which can be determined by turning the equipment off and on, the user is encouraged to try to correct the interference by one or more of the following measures:

- Reorient or relocate the receiving antenna.
- Increase the separation between equipment and the receiver.
- Connect the equipment into an outlet on a circuit different from that to which the receiver is connected.
- Consult the dealer or an experienced radio/TV technician for help.

Fujitsu Siemens Computers GmbH is not responsible for any radio or television interference caused by unauthorized modifications of this equipment or the substitution or attachment of connecting cables and equipment other than those specified by Fujitsu Siemens Computers GmbH. The correction of interference caused by such unauthorized modification, substitution or attachment will be the responsibility of the user.

The use of shielded I/O cables is required when connecting this equipment to any and all optional peripheral or host devices. Failure to do so may violate FCC rules.

Power cord selection



The power cord for this unit has been packed separately and has been selected for use in the appropriate country. It must be used to prevent electric shock. Use the following guidelines if it is necessary to replace the original cord set.

The female receptacle of the cord set must meet CEE-22 requirements (see Figure).

For the United States and Canada

Use a UL listed and CSA labeled cord set consisting of a three-conductor cord with a maximum length of 15 feet.

For units that stand on a desk or table, type SVT or SJT cord sets shall be used.

For units that stand on floor, only SJT type cord sets shall be used.

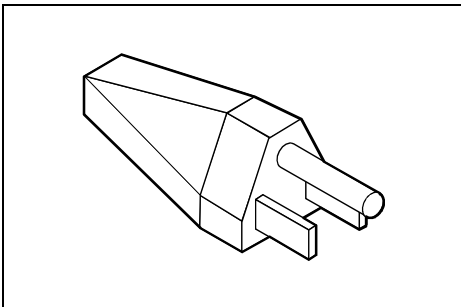
The cord set must be selected according to the current rating for your unit. Please consult Table A for the selection criteria for power cords used in the United States and Canada.

Table A:

Cord Type	Size of Conductors in Cord	Maximum Current Rating of Unit
SJT	18 AWG	10 Amps
	16 AWG	12 Amps
	14 AWG	12 Amps
SVT	18 AWG	10 Amps
	17 AWG	12 Amps

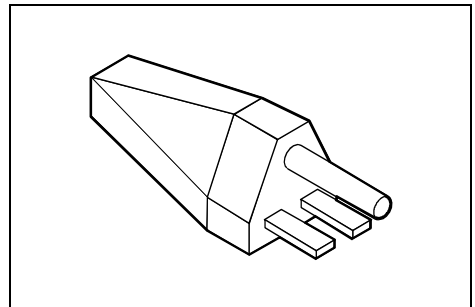
For units set at 115 V:

use a parallel blade, grounding type attachment plug rated 15 A, 125 V.



For units set at 230 V (domestic use):

use a tandem blade, grounding type attachment plug rated 15 A, 250 V.



For units set at 230 V (outside of the United States and Canada):

use a cord set consisting of a minimum AWG according to Table A and a grounding type attachment plug rated 15 A, 250 V. The cord set should have the appropriate safety approvals for the country in which the equipment will be installed and should be marked HAR.

For the United Kingdom

Should the plug on the flexible cord not be of the type for your socket outlets, do not use an adapter but remove the plug from the cord and discard. Carefully prepare the end of the supply cord and fit a suitable plug.

WARNING

THIS APPLIANCE MUST BE EARTHED

IMPORTANT

The wires in this mains lead are colored in accordance with the following code:

Green and Yellow:	Earth
Blue:	Neutral
Brown:	Live

As the colors of the wires in the mains lead of this appliance may not correspond with the colored markings identifying the terminals in your plug, proceed as follows:

- The wire which is colored Green and Yellow must be connected to the terminal in the plug which is marked with the letter E or by the earth symbol or colored Green or Green and Yellow.
- The wire which is colored Blue must be connected to the terminal which is marked with the letter N or colored Black.
- The wire which is colored Brown must be connected to the terminal which is marked with the letter L or colored Red.

Transporting the PC

Transport all parts separately, and in their original packaging or in a packaging which protects them from knocks and jolts, to the new site. Do not unpack them until all transportation maneuvers are completed.

Never drop the monitor (risk of implosion)!

Cleaning the PC



Turn off all power and equipment switches and pull the power plug out of the grounded power outlets.

Do not clean any interior parts yourself, leave this job to a service technician.

Do not use any cleaning agents that contain abrasives or may corrode plastic.

Ensure that no liquid enters the system.

Ensure that the ventilation areas of the system unit and the monitor are free.

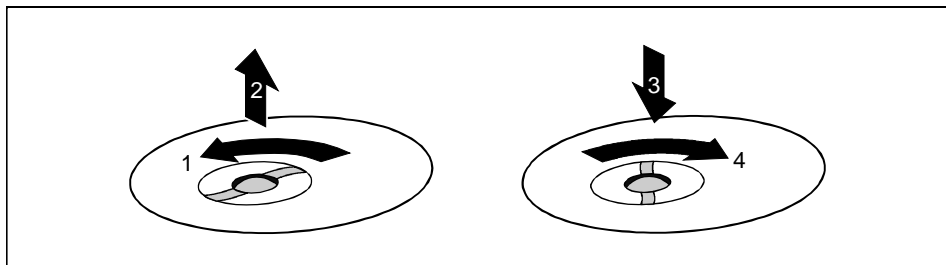
Cleaning the system unit and the monitor

Wipe the system unit and monitor casing with a dry cloth. If particularly dirty, use a cloth which has been moistened in mild domestic detergent and then carefully wrung out.

Cleaning the keyboard and the mouse

Use disinfectant wipes to clean the keyboard and the mouse.

Remove the retaining ring on the underside of the mouse and then clean the mouse mechanism and the rotating ball.



- ▶ Using both thumbs exert downward pressure on the notches of the retaining ring and turn the ring anticlockwise (1).
- ▶ Remove the retaining ring and the rotating ball from the mouse (2).
- ▶ Clean the three small wheels in the mouse and the ball with a lint-free cloth.
- ▶ Replace the ball and the retaining ring (3).
- ▶ Using both thumbs exert downward pressure on the notches of the retaining ring (4) and turn the ring clockwise. You must feel the ring engage.