

# Attachment A: User Manual

For FCC statement please refer to user manual page 9.

**SIEMENS**  
**NIXDORF**

Siemens Nixdorf Informationssysteme AG  
Personal Computer Scenic Pro C6

FCC Identifier:  
HSSSCENIC603

Date: Apr 27, 1998

Page:  
104/104

**SIEMENS**  
**NIXDORF**

# SCENIC Pro

Operating Manual

SCENIC Pro C



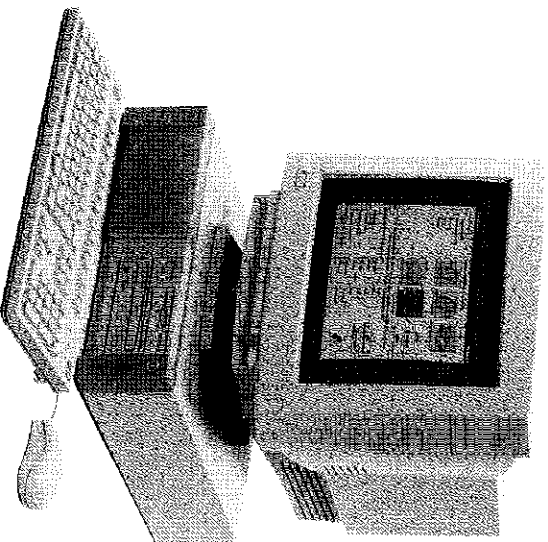
Dieses Handbuch wurde auf Recycling-Papier gedruckt.  
This manual has been printed on recycled paper.  
Ce manuel est imprimé sur du papier recyclé.  
Este manual ha sido impreso sobre papel reciclado.  
Questo manuale è stato stampato su carta da riciclaggio.  
Denna handbok är tryckt på recyclingpapper.  
Dit handboek werd op recyclingpapier gedrukt.

Herausgegeben von/Published by  
Siemens Nixdorf Informationssysteme AG  
D-33094 Paderborn  
D-81730 München

Bestell-Nr./Order No. **A26361-K445-Z102-1-7619**  
Printed in the Federal Republic of Germany  
AG 11975. 11/97 CK 9300



A26361-K445-Z102-1-7619



# SCENIC Pro C

## Operating Manual

Introduction

Important notes

Preparation for use and operation

Settings in BIOS Setup

Property and data protection

Troubleshooting and tips

System expansions

Technical data

Index

Edition November 1997

## Your training needs?

The Siemens Nixdorf Training Centers offer you a wide range of training courses in information technology and on IT products and other subjects - onsite near to your workplace or offsite at one of our training centers.

Contact us for information on consulting, course schedules and selfstudy material -

Either fax (which is the fastest way):

Fax: ..49 89 636-42945

Or write to:

Siemens Nixdorf Informationssysteme AG  
Training Center, Beratungsservice  
D-81730 München

Microsoft, MS, MS-DOS, Windows and Windows NT are Trademarks of Microsoft Corporation.

VESA and DPMS are trademarks of Video Electronics Standards Association.

PS/2 is a registered trademark of International Business Machines, Inc.

Pentium is a registered trademark of Intel Corporation, USA.

All other trademarks referenced are trademarks or registered trademarks of their respective owners, whose protected rights are acknowledged.

Copyright © Siemens Nixdorf Informationssysteme AG 1997.

All rights, including rights of translation, reproduction by printing, copying or similar methods, even of parts are reserved.

Offenders will be liable for damages.

All rights, including rights created by patent grant or registration of a utility model or design, are reserved.

Delivery subject to availability. Right of technical modification reserved.

---

# Contents

<b>Introduction</b> .....	<b>1</b>
Notational conventions .....	2
<b>Important notes</b> .....	<b>3</b>
Safety .....	3
Notes on installing and removing boards .....	6
Manufacturer's notes .....	7
Energy saving .....	7
Disposal and recycling .....	8
CE certificate .....	8
RFI suppression .....	9
FCC Class B Compliance Statement .....	9
Power cord selection .....	10
For the United States and Canada .....	10
For the United Kingdom .....	12
Transporting the PC .....	13
Cleaning the PC .....	13
<b>Preparation for use and operation</b> .....	<b>15</b>
Unpacking and checking the delivery .....	15
Preparing the PC for use .....	16
Setting up the PC .....	16
Connecting devices .....	17
Ports for external devices .....	18
Connecting the keyboard .....	19
Connecting the mouse .....	20
Connecting devices with serial or parallel port .....	20
Connecting the monitor to the line voltage .....	21
Connecting the PC to the line voltage .....	22
Connecting the Standard PC to the line voltage .....	22
Connecting a PC (with soft power off function) to the line voltage .....	23
Unlocking/locking the system unit .....	24
Switching the PC on and off .....	25
Switching the standard PC on and off .....	25
Switching a PC (with soft power off function) on and off .....	26
Switching on the PC for the first time .....	27
Switching on the PC .....	28
Switching off the PC .....	29

---

Indicators on the system unit .....	30
Working with floppy disks.....	32
Keyboard.....	33
Important keys and key combinations .....	33
<b>Settings in BIOS Setup.....</b>	<b>35</b>
Calling BIOS Setup.....	35
Operating BIOS Setup.....	37
Exiting BIOS Setup.....	38
<b>Property and data protection .....</b>	<b>39</b>
Locking the system unit mechanically .....	39
Access authorization via chipcard .....	39
Anti-theft protection .....	39
Lead-sealing.....	39
Security functions under MS Windows .....	40
BIOS Setup security functions .....	41
Setting the Setup/System password.....	43
<b>Troubleshooting and tips .....</b>	<b>45</b>
Power-on indicator remains dark after you have switched on your device .....	45
The screen stays blank.....	46
Flickering or drifting stripes on the monitor screen.....	48
No mouse pointer displayed on the screen.....	48
The floppy disk cannot be read or written .....	49
Time and/or date is not correct .....	49
Error messages on the screen .....	49
Restoring the hard disk contents.....	50
Restoring the hard disk contents under Windows NT.....	50
Restoring the hard disk contents under Windows 95 .....	50
Restoring the hard disk contents under Windows for Workgroups.....	50
Tips.....	51

Contents

---

**System expansions** .....53  
Opening the system unit .....53  
Assembling the system unit .....55  
Installing and removing a board .....56  
    Installing a board .....57  
    Removing a board .....59  
Installing and removing drives .....60  
    Changing the floppy disk drive .....61  
    Changing the CD-ROM drive .....63  
    Replacing the hard disk drive .....65  
Extensions on the system board .....68  
Replacing the lithium battery .....69

**Technical data** .....71  
Interrupt table .....73

**Index** .....75

---

# Introduction

This Operating Manual tells you how to put your PC into operation and how to operate it in daily use. It applies for all configuration levels. Depending on the configuration level chosen some of the hardware components described may not be available on your PC. Please observe the notes on your operating system.

Your SCENIC Pro C is a powerful PC which is suitable for both professional and private use.

Your PC is available in various configuration levels, which differ in hardware and software equipment. Depending on the configuration level, the PC is equipped with an audio port, a chipcard reader and an infrared port. Systems, which do not offer one of these functions, can be upgraded at any time according to your requirements.

Depending on the configuration level chosen, your PC is supplied with Windows for Workgroups, Windows 95 or Windows NT as the operating system.

Your PC has a number of security features to ensure that no unauthorized persons can access your data. For example, you can activate a screen saver with password protection. The security functions in the *BIOS Setup* also allow you to protect your data by means of passwords. In addition, you can also lock your PC mechanically using the cover lock. Systems with a drive cover and a chipcard reader offer additional protection.

Further information on this PC is provided:

- in the manual „Safety and Ergonomics“
- in the Operating Manual for the monitor
- in the Technical Manual for the system board
- in the manual "BIOS Setup"
- in the documentation of your operating system
- in the information files (e. g. \*.TXT, \*.WRI, \*.DOC, \*.HLP)
- in the Installation Guide "Windows NT Setup" (for Windows NT systems only)



Some of the manuals listed can be found on the CD "Drivers & Utilities" provided with your computer. These manuals can be read and printed with the Acrobat Reader contained on the CD.



## Notational conventions

The meanings of the symbols and fonts used in this manual are as follows:



Pay particular attention to texts marked with this symbol. Failure to observe this warning endangers your life, destroys the system, or may lead to loss of data.



This symbol is followed by supplementary information, remarks and tips.

► Texts which follow this symbol describe activities that must be performed in the order shown.

□ This symbol means that you must enter a blank space at this point.

⏏ This symbol means that you must press the Enter key.

Texts in this typeface are screen outputs from the PC.

**Texts in this bold typeface** are the entries you make via the keyboard.

*Texts in italics* indicate commands or menu item.

"Quotation marks" indicate names of chapters and terms that are being emphasized.

---

# Important notes

In this chapter you will find information regarding safety which it is essential to take note of when working with your PC. The manufacturer's notes contain helpful information on your PC.

## Safety



Pay attention to the information provided in the manual "Safety and Ergonomics".

- During installation and before operating the device, observe the instructions on environmental conditions in the chapter entitled "Technical data" as well as the instructions in the chapter "Preparation for use and operation".
- Please check whether the device is set to the local power supply (see chapter "Preparation for use and operation").
- The main switch and the ON/OFF switch do not disconnect the system unit from the line voltage. To disconnect the line voltage completely, remove the power plug from the grounded power outlet.
- When cleaning the device, observe the relevant notes in the paragraph "Cleaning the PC".
- When connecting and disconnecting cables, observe the relevant notes in the chapter „Preparation for use and operation“.
- Replace the lithium battery on the system board in accordance with the instructions in the chapter "System expansions - Replacing the lithium battery".
- Caution: components on the system board can get very hot.
- Keep this Operating Manual together with your device. If you pass on the device to third parties, you should also pass on the Operating Manual.

## Warning



The lithium battery of the device may only be replaced by one that is identical or by a type recommended by the vendor. If the lithium battery is not replaced in the proper manner, there is a danger of explosion (see the Operating Manual for your device).

## VARNING



Explosionsfara vid felaktigt batteribyte. Använd samma batterityp eller en ekvivalent typ som rekommenderas av apparattillverkarenfabrikanten. Kassera använt batteri enligt fabrikantens instruktion.

## ADVARSEL



Lithiumbatteri - Eksplosionsfare ved fejlagtig håndtering. Udskiftning må kun ske med batteri af samme fabrikat og type. Lever det brugte batteri tilbage til leverandøren.

## ADVARSEL



Eksplosjonsfare ved feilaktig skifte av batteri. Benytt samme batteritype eller en tilsvarende type anbefalt av apparatfabrikanten. Brukte batterier kasseres i henhold til fabrikantens instruksjoner.

## VAROITUS



Paristo voi räjähtää, jos se on virheellisesti asennettu. Vaihda paristo ainoastaan laitevalmistajan suosittelemaan tyyppiin. Hävitä käytetty paristo valmistajan ohjeiden mukaisesti.

**Note on the laser**

If your device is equipped with a CD-ROM drive, the following condition applies:  
The CD-ROM drive contains a light-emitting diode (LED), classified according to IEC 825-1:1993:LASER CLASS 1; it must not be opened.

**Laserhänvisning**

Om din apparat är utrustad med en CD-ROM-enhet gäller följande:  
CD-ROM-enheten innehåller en ljusemitterande diod (LED), klassificerad enligt IEC 825-1:1993: KLASS 1 LASER APPARAT, och får därför inte öppnas.

**Laserinformation**

Skal enheden forsynes med et CD-ROM drev gælder følgende:  
CD-ROM drevet indeholder en lysdiode (LED), klassificering iflg. IEC 825-1:1993:LASER KLASSE 1 og må derfor ikke åbnes.

**Laserinformation**

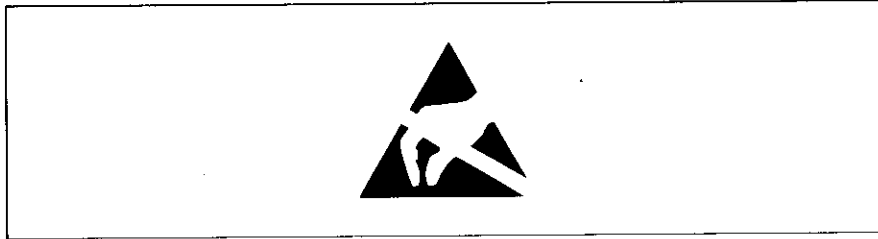
Følgende gjelder hvis maskinen er utstyrt med en CD-ROM stasjon:  
CD-ROM stasjonen inneholder en lysutviklende diode (LED), som er klassifisert etter IEC 825-1:1993:LASER KLASSE 1, og skal derfor ikke åpnes.

**Laser-ohje**

Jos laitteeseen on kytketty CD-ROM-asema:  
CD-ROM-asema sisältää valoa säteilevän diodin (LED), joka on luokiteltu määräyksen IEC 825-1:1993:LASER LUOKKA 1 mukaisesti. Tämän vuoksi asemaa ei saa avata.

## Notes on installing and removing boards

Boards with electrostatic sensitive devices (ESD) may be identified by labels.



When you handle boards fitted with ESDs, you must observe the following points under all circumstances:

- You must always discharge yourself (e.g. by touching a grounded object) before working.
- The equipment and tools you use must be free of static charges.
- Pull out the power plug before inserting or pulling out boards containing ESDs.
- Always hold boards with ESDs by their edges.
- Never touch pins or conductors on boards fitted with ESDs.

## Manufacturer's notes

### Energy saving

When the PC is delivered, some energy-saving functions are already set (see Technical Manual for the system board or in the manual "BIOS Setup").

- If you are not using your PC, switch it off.
- In the *BIOS Setup* you may set further energy-saving functions for the PC (see the Technical Manual of the system board or in the manual "BIOS Setup").

### Energy saving under Windows NT

If the attached monitor and screen controller support power management in accordance with VESA (DPMS), the screen saver *Powersaver* can be used to switch the monitor into power management mode.

### Energy saving under Windows 95

Using the *DeskLock* program you can lock the mouse and keyboard so that no input can be made. If the attached monitor supports power management in accordance with VESA (DPMS), it can be switched into power-saving mode at the same time.

In addition the *Screen Saver* tab allows you to set energy-saving functions for your screen. Select the following item in the start menu: *Settings - Control Panel - Display - Display Properties - Screen Saver - Energy saving features of monitor*.

With the default setting *Control Panel - Power - Advanced* additional energy saving features of Windows 95 are available.

### Energy saving under Windows for Workgroups

The *QLOCK.COM* (under MS-DOS), the *QLOCK.EXE* or *QLOCKWIN.EXE* (under Windows for Workgroups) enables you to lock entry at your mouse and keyboard. If the attached monitor supports power management in accordance with VESA (DPMS), it can be switched into power-saving mode at the same time.

## Disposal and recycling

This device has been manufactured to the greatest possible degree from materials which can be recycled or disposed of in a manner that is not environmentally damaging. The device is taken back after use, so that it can be recycled, provided that it is returned in a condition which is the result of normal use. Any components not recuperated will be disposed of in an environmentally acceptable manner.



For devices marked with this symbol Siemens Nixdorf Informationssysteme AG (SNI) offers a guarantee for **36 months** with a **Bring-in-Service**. The guarantee starts on the day of delivery (sale date) by SNI or an SNI partner.

We herewith declare that it will be possible to repair any device marked with the eco-label for at least 5 years after production of that device has discontinued.

Information on power management and energy saving mode can be found in chapter "Technical data".

Do not throw lithium batteries or accumulators into the trashcan. They must be disposed of in accordance with local regulations concerning special waste.

If you have any questions on disposal, please contact your local office, our service department, or, directly:

Siemens Nixdorf Informationssysteme AG  
Recycling Center  
D-33094 Paderborn

Tel. ..49 ( ) 818 013  
Fax: ..49 (05251) 818 015

## CE certificate



This device complies with the requirements of the EEC directive 89/336/EEC "Electromagnetic compatibility" and 73/23/EEC "Low voltage directive" with amending directive 93/68/EEC.

## RFI suppression

All other devices connected to or integrated in this product must have RFI suppression in accordance with EC directive 89/336/EEC. Products meeting these requirements are accompanied by a certificate issued by the manufacturer and carry the CE symbol.

## FCC Class B Compliance Statement

If there is an FCC statement on the device, then:

The following statement applies to the products covered in this manual, unless otherwise specified herein. The statement for other products will appear in the accompanying documentation.

### NOTE:

This equipment has been tested and found to comply with the limits for a "Class B" digital device, pursuant to Part 15 of the FCC rules and meets all requirements of the Canadian Interference-Causing Equipment Regulations. These limits are designed to provide reasonable protection against harmful interference in a residential installation. This equipment generates, uses and can radiate radio frequency energy and, if not installed and used in strict accordance with the instructions, may cause harmful interference to radio communications. However, there is no guarantee that interference will not occur in a particular installation. If this equipment does cause harmful interference to radio or television reception, which can be determined by turning the equipment off and on, the user is encouraged to try to correct the interference by one or more of the following measures:

- Reorient or relocate the receiving antenna.
- Increase the separation between equipment and the receiver.
- Connect the equipment into an outlet on a circuit different from that to which the receiver is connected.
- Consult the dealer or an experienced radio/TV technician for help.

Siemens Nixdorf Informationssysteme AG is not responsible for any radio or television interference caused by unauthorized modifications of this equipment or the substitution or attachment of connecting cables and equipment other than those specified by Siemens Nixdorf Informationssysteme AG. The correction of interferences caused by such unauthorized modification, substitution or attachment will be the responsibility of the user.



The use of shielded I/O cables is required when connecting this equipment to any and all optional peripheral or host devices. Failure to do so may violate FCC rules.

## Power cord selection

The power cord for this unit has been packed separately and has been selected according to the country of destination. It must be used to prevent electric shock. Use the following guidelines if it is necessary to replace the original cord set.

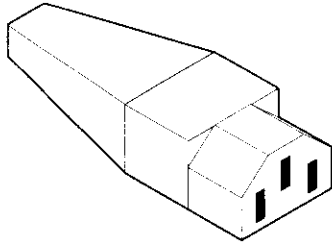


Figure 1

The female receptacle of the cord set must meet CEE-22 requirements (see Figure 1).

## For the United States and Canada

Use a UL listed and CSA labeled cord set consisting of a three conductor cord with a maximum length of 15 feet.

For units which stand on a desk or table, type SVT or SJT cord sets shall be used.

For units which stand on floor, only SJT type cord sets shall be used.

The cord set must be selected according to the current rating for your unit. Please consult Table A for the selection criteria for power cords used in the United States and Canada.

Table A:

Cord Type	Size of Conductors in Cord	Maximum Current Rating of Unit
SJT	18 AWG	10 Amps
	16 AWG	12 Amps
	14 AWG	12 Amps
SVT	18 AWG	10 Amps
	17 AWG	12 Amps

For units set at 115 V:

use a parallel blade, grounding type attachment plug rated 15 A, 125 V (Figure 2).

For units set at 230 V (domestic use):

use a tandem blade, grounding type attachment plug rated 15 A, 250 V (Figure 3).

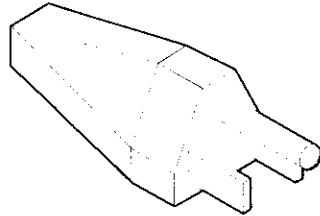


Figure 2

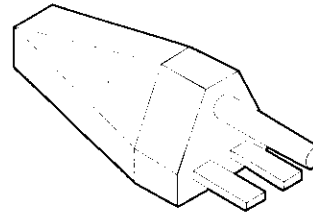


Figure 3

For units set at 230 V (outside of the United States and Canada):

use a cord set consisting of a minimum AWG according to Table A and a grounding type attachment plug rated 15 A, 250 V. The cord set should have the appropriate safety approvals for the country in which the equipment will be installed and should be marked HAR.

## For the United Kingdom

Should the plug on the flexible cord not be of the type for your socket outlets, do not use an adapter but remove the plug from the cord and discard. Carefully prepare the end of the supply cord and fit a suitable plug.

### WARNING

THIS APPLIANCE MUST BE EARTHED

### IMPORTANT

The wires in this mains lead are coloured in accordance with the following code:

Green and Yellow:	Earth
Blue:	Neutral
Brown:	Live

As the colours of the wires in the mains lead of this appliance may not correspond with the coloured markings identifying the terminals in your plug, proceed as follows:

- The wire which is coloured Green and Yellow must be connected to the terminal in the plug which is marked with the letter E or by the earth symbol or coloured Green or Green and Yellow.
- The wire which is coloured Blue must be connected to the terminal which is marked with the letter N or coloured Black.
- The wire which is coloured Brown must be connected to the terminal which is marked with the letter L or coloured Red.

## Transporting the PC



Transport all parts separately, and in their original packaging or in a packaging which protects them from knocks and jolts, to the new site. Do not unpack them until all transport maneuvers are completed.

Never drop the monitor (danger of implosion)!

## Cleaning the PC



Turn off all power and equipment switches and pull the power plug out of the grounded power outlets.

Do not clean any interior parts yourself, leave this job to a service technician.

Do not use any cleaning agents that contain abrasives or may corrode plastic.

Ensure that no liquid enters the system.

Ensure that the ventilation areas of the system unit and the monitor are free.

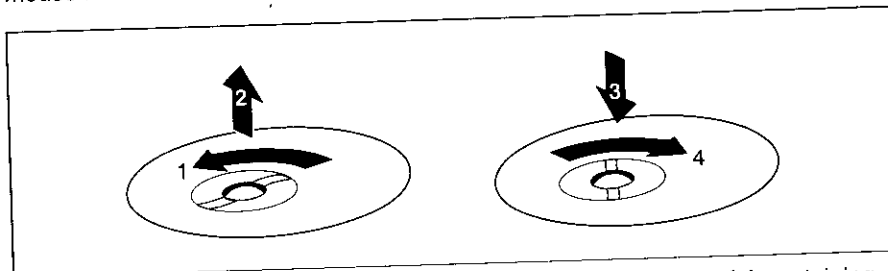
**Cleaning the system unit and the monitor**

Wipe the system unit and monitor casing with a dry cloth. If particularly dirty, use a cloth which has been moistened in mild domestic detergent and then carefully wrung out.

**Cleaning the keyboard and the mouse**

Use a cloth for disinfection to clean the keyboard and the mouse.

Remove the retaining ring on the underside of the mouse and then clean the mouse mechanism and the rotating ball.



- ▶ Using both thumbs exert downward pressure on the notches of the retaining ring and turn the ring anticlockwise (1).
- ▶ Remove the retaining ring and the rotating ball from the mouse (2).
- ▶ Clean the three small wheels in the mouse and the ball with a lint-free cloth.
- ▶ Replace the ball and the retaining ring (3).
- ▶ Using both thumbs exert downward pressure on the notches of the retaining ring (4) and turn the ring clockwise. You must feel the ring engage.

---

## Preparation for use and operation



Please take note of the safety information in the chapter "Important notes".

### Unpacking and checking the delivery

It is recommended not to throw away the original packaging material! It may be required for reshipment at some later date.

- ▶ Unpack all the individual parts.
- ▶ Check the delivery for damage incurred during transport.
- ▶ Check whether the delivery agrees with the details in the delivery note.
- ▶ Check whether all necessary details have been entered on the first page of the guarantee coupon booklet.

Should you discover that the delivery does not correspond to the delivery note, notify your local sales office immediately.



If you have received drives or boards with your PC, please do not install them until after first-time setup. The chapter "Installing and removing a board" will tell you how to do this.

## Preparing the PC for use

First-time setup includes the connection of the devices (monitor, mouse, keyboard etc.) and the setup of the supplied software.

When you set up the PC for the first time, you should carry out the following steps in the order shown:

1. Decide where you are going to use the PC.
2. Connect the external devices to the system unit.
3. Check the rated voltage of the system unit and connect it to the line voltage.
4. Switch the PC on and follow the instructions on the screen.

## Setting up the PC



When installing your PC, give consideration to the recommendations on video workstation ergonomics in the manual "Safety and Ergonomics".

Set up the PC only in its correct orientation. The points to observe are illustrated on the following pages.

We recommend that you place your equipment on a surface with good anti-slip qualities. In view of the multitude of different finishes and varnishes used on furniture, it is possible that the rubber feet of the devices will mark the surface they stand on.

Do not expose the PC to extreme environmental conditions (see chapter "Technical data"). Protect it from dust, humidity and heat.

Provide at least 200 mm of clearance on the left, in front of and behind the ventilator area of the system unit to ensure adequate ventilation. Do not cover the ventilation areas of the monitor and the fan.

Do not place several system units one above the other.

## Connecting devices



The power plug must be disconnected!



Read the documentation about the external device before connecting it.

Do not connect or disconnect cables during a thunderstorm.

Always take hold of the actual plug body. Never unplug a cable by pulling the cable itself!

Connect and disconnect the cables in the order described below.

### Connecting cables

- Turn off all power and equipment switches.
- Unplug all power plugs from the grounded power outlets.
- Connect all cables at the system unit and peripherals. You must observe the information provided in the chapter "Important notes".
- Plug all data communication cables into the utility sockets.
- Plug all power cables into the grounded power outlets.

### Disconnecting cables

- Turn off all power and equipment switches.
- Unplug all power plugs from the grounded power outlets.
- Unplug all data communication cables from the utility sockets.
- Disconnect all cables from the system unit and peripherals.



## Ports for external devices

The ports for external devices are on the rear and on the front of the system unit. The ports available on your PC depend on the configuration level you have selected. The standard ports are marked with symbols like those below or similar symbols. Exact details of the position of the ports are supplied in the Technical Manuals for the boards.



Keyboard port



PS/2 mouse port



Monitor port



USB - Universal Serial Bus



Audio output (Line out)



Audio input (Line in)



Serial port 1



Serial port 2



Parallel port



Game port



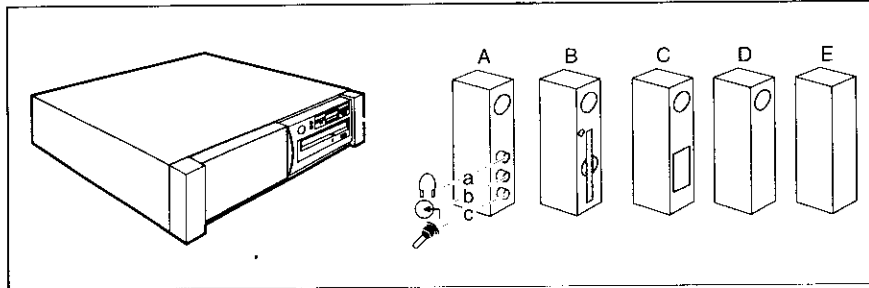
Microphone jack



LAN-port



Some of the devices that you connect require special drivers (see the documentation for the connected device and for the operating system).



Example of the multifunctional front panel

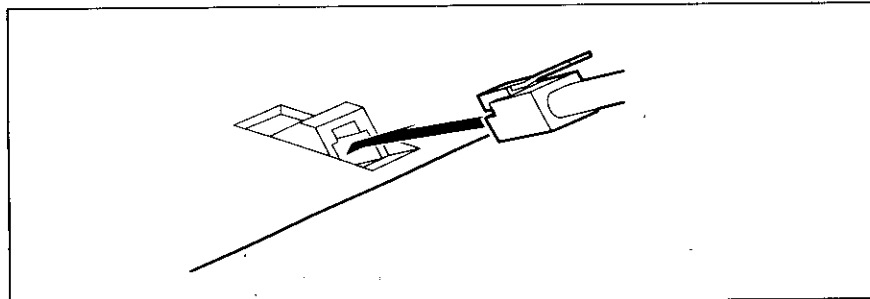
- |  |                             |
|--|-----------------------------|
| A) Front panel with audio ports          | 1 = Audio output (Line out) |
| B) Front panel with chipcard reader      | 2 = Audio input (Line in)   |
| C) Front panel with infrared port        | 3 = Microphone jack         |
| D) Front panel with lock only            |                             |
| E) Empty front panel without drive cover |                             |

\* The audio ports may be at the rear of the PC.

## Connecting the keyboard

**i** Use only the keyboard cable supplied.

- ▶ Plug the round plug of the keyboard cable into the keyboard port on the system unit.



- ▶ Plug the other connector of the keyboard cable into the socket on the underside of the keyboard.

## Connecting the mouse

- ▶ Plug the connector of the mouse cable into the mouse port.

**i** If you attach a serial mouse, you can disable the mouse controller in the *BIOS-Setup* in order to free the IRQ12 for a different application. If the mouse controller is disabled, you will not be able to operate a mouse connected to the PS/2 mouse port.

## Connecting devices with serial or parallel port

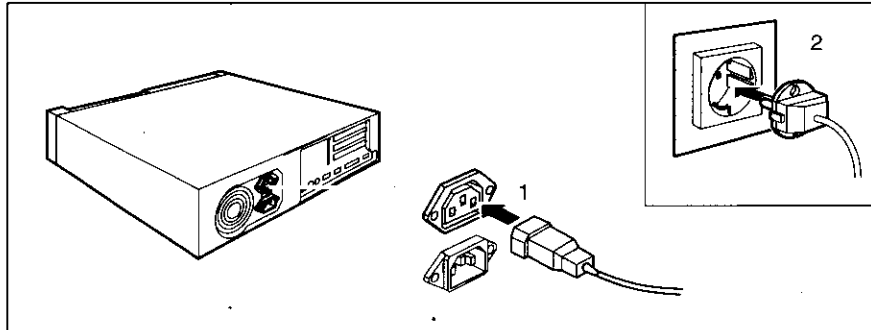
- ▶ Connect the data cable to the external device.
- ▶ Connect the data cable of the external device to the appropriate port on the system unit.

**i** Most devices that you connect to the serial or parallel port require special drivers. Your operating system already includes many drivers. But if the driver you need is not on the hard disk please install it from the floppy disk supplied with the device or with the application program.

If you need to change the default settings of the serial or parallel port (e.g. address, interrupt), you can do so in the *BIOS Setup*. The default setting for the interfaces are described in the Technical Manual for the system board or in the "BIOS Setup" manual.

## Connecting the monitor to the line voltage

- ▶ Prepare the monitor as described in the Operating Manual for the monitor.
- ▶ Plug the data cable of the monitor into the monitor port of the system unit.



- ▶ Depending on the connector, plug the monitor power cable into either the system unit (1) or the grounded power outlet (2).

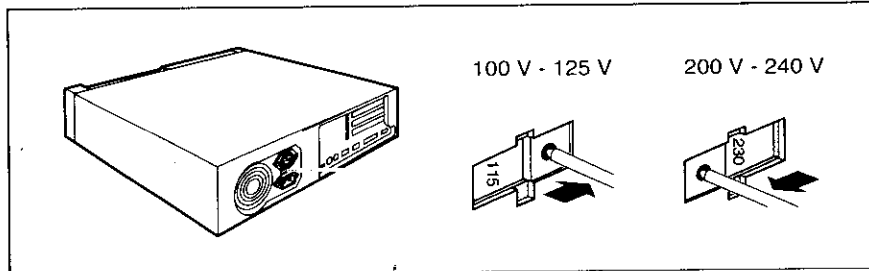


You may only plug the monitor power cable into the monitor connector if the rated current of the monitor is less than 1.5 A (230 V) or 3 A (115 V). The rated current for the monitor is also given on the monitor itself and in the Operating Manual for the monitor.

## Connecting the PC to the line voltage

PCs with soft power off function have a main switch on the rear of the system unit in addition to the switch on the front. Setting of the rated voltage and switching on the two PC variants differ in this way.

### Connecting the Standard PC to the line voltage



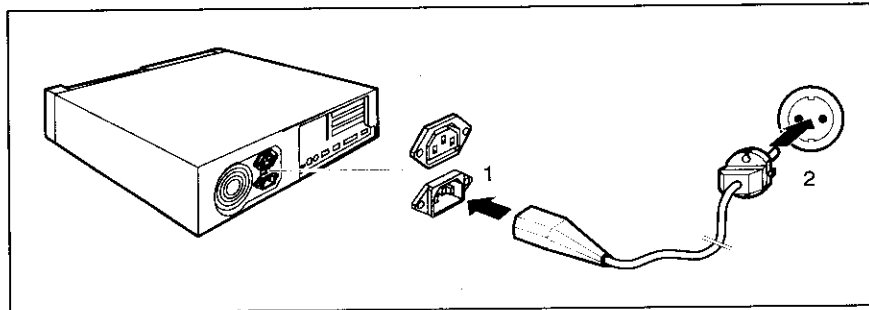
- ▶ Check the rated voltage.



115 = 100 V to 125 V

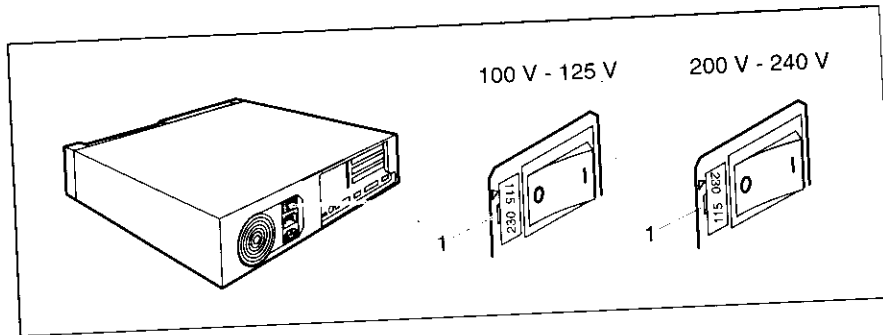
230 = 200 V to 240 V

If the rated voltage does not agree with the local line voltage, you must move the wiper switch to the correct position.



- ▶ Plug the system unit's power cable into the system unit (1) and then into the grounded power outlet (2).

## Connecting a PC (with soft power off function) to the line voltage



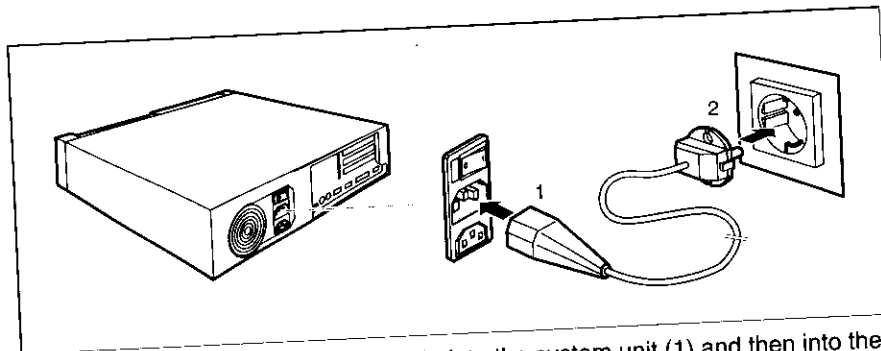
1 = Notch for inserting the screwdriver

- ▶ Check the rated voltage.



The value marked with an arrow must agree with the local line voltage:  
115 = 100 V to 125 V      230 = 200 V to 240 V

If the rated voltage does not agree with the local line voltage, lift out the plug-in unit with a screwdriver (1), turn it and replace it.



- ▶ Plug the system unit's power cable into the system unit (1) and then into the grounded power outlet (2).

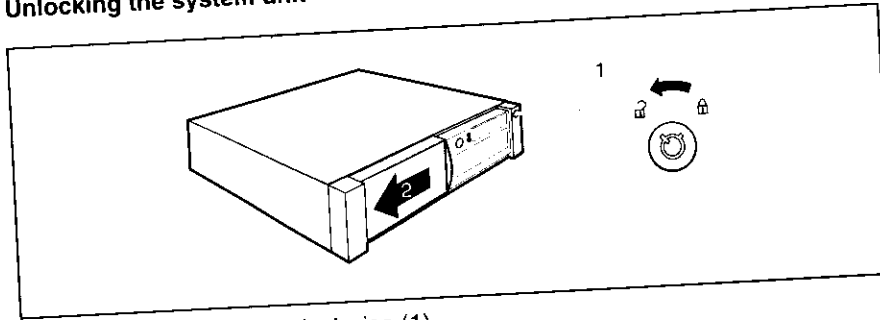
## Unlocking/locking the system unit

You can use the lock on the cover to lock the system unit mechanically. If your system is equipped with a drive cover, you can also lock access to the ON/OFF switch and drives.



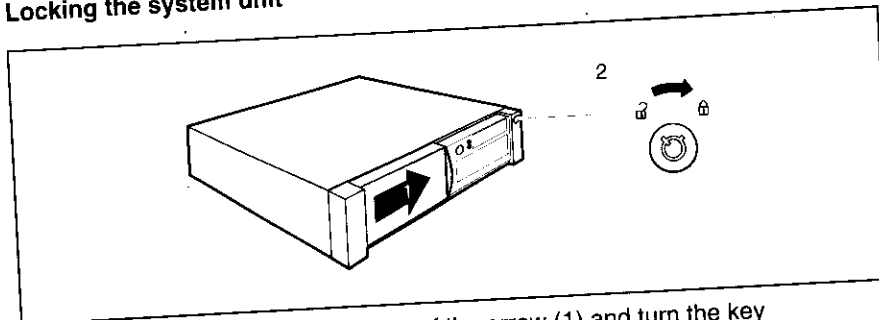
If you remove the key from the system unit while it is switched on, make sure the key is accessible in case you need it urgently.

### Unlocking the system unit



- ▶ Turn the key counterclockwise (1).
- ▶ Slide the drive cover in direction of the arrow (2).

### Locking the system unit

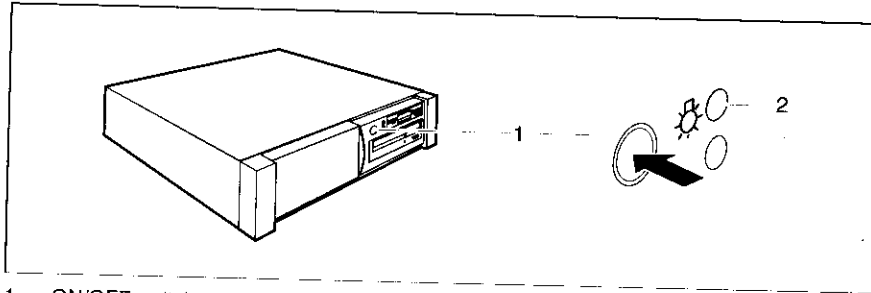


- ▶ Slide the drive cover in direction of the arrow (1) and turn the key clockwise (2).

## Switching the PC on and off

PCs with soft power off function have a main switch on the rear of the system unit in addition to the switch on the front. Setting of the rated voltage and switching on the two PC variants differ in this way.

### Switching the standard PC on and off



1 = ON/OFF switch

2 = Power-on indicator

#### System unit is off

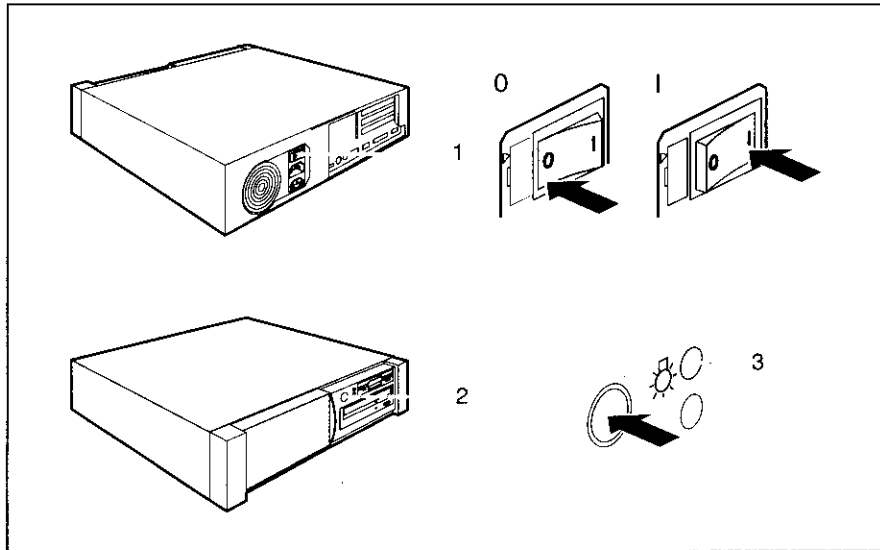
The Power-on indicator (2) fails to light.

#### System unit is on

The Power-on indicator (2) lights.



## Switching a PC (with soft power off function) on and off



- 1 = Main switch
- 2 = ON/OFF switch
- 3 = Power-on indicator

- 0 = System unit is switched off
- 1 = System unit is ready-to-operate

### System unit is off

The main switch (1) is in position 0 and the power-on indicator (3) does not light. The ON/OFF switch (2) is disabled.

### System unit is ready-to-operate

The main switch (1) is in position 1 and the power-on (3) indicator lights up orange. In this mode, you can switch the system unit on with the ON/OFF switch (2). The "ready-to-operate" status corresponds to the "stand-by" status of a TV set.

### System unit is on

The main switch (1) is in position 1 and the power-on indicator (3) lights up green. The system unit can be switched ready-to-operate at the ON/OFF switch (2).

## Switching on the PC for the first time

When you switch on your PC for the first time the supplied software is set up and configured.



### Notes on Windows NT

If your unit has been supplied with Windows NT, first read the manual "Windows NT Setup, First Steps", and obtain the data for your system environment requested there.

- ▶ Switch on the monitor and, if necessary, adjust the brightness (see the Operating Manual for the monitor).
- ▶ Switch the system unit on with the main switch at the rear or the on/off switch at the front of the unit.



If the power-on indicator lights orange, the system unit is ready-to-operate. Press the ON/OFF switch at the front of the system unit.

The power-on indicator lights green and the PC is started.

- ▶ Adjust the brightness if necessary (see the Operating Manual for the monitor).
- ▶ Please follow the instructions on the screen.



During these operations the PC must not be switched off nor rebooted by means of a warm start.

### Notes on Windows for Workgroups

The contents of the utility and driver diskettes of your system are located in the *C:\DRIVER* directory. You can create the corresponding diskettes by means of the relevant batch programs.

To enable the contents of the hard disk to be restored in an emergency, you should create a bootable system disk and a backup for DOS and Windows for Workgroups (see the documentation for the operating system). You may as well purchase a corresponding set of backup diskettes. Contact your sales office or your service.

**Notes on Windows 95**

The license number for Windows 95 is printed on the front cover of the Windows 95 manual supplied.

If your system is not equipped with a CD-ROM drive, you should create a backup copy after installing Windows 95 so that you can restore the hard disk contents in an emergency.

You need about 40 diskettes for this.

- ▶ Create Windows 95 diskettes with the *MSCSD* backup program (create system diskettes) and label them using the labels supplied.
- ▶ Create the utility and driver diskettes for your system using the batch files in the *\PROGSDISKS* directory and label them.

**Switching on the PC**

If after switching on the PC you see nothing but flickering stripes on the screen, switch the PC off immediately (see "Troubleshooting and tips - Flickering or drifting stripes on the monitor screen").



If you have assigned the system password, you must enter this when requested to do so, in order to start the operating system.

- ▶ Switch the monitor on (see the Operating Manual for the monitor).

**Standard PC**

- ▶ Press the ON/OFF switch.

The power-on indicator lights green and the PC is started.

**PC with soft power off function**

- ▶ Switch the system unit on with the main switch at the rear of the system unit.

The PC switches to the mode which was active when it was last switched off:

- ▶ If the power-on indicator lights orange, press the ON/OFF switch at the front of the system unit.

The power-on indicator lights green and the PC is started.

## Switching off the PC

When the system unit is switched off the power-on indicator is dark after approx. 15 seconds. The system unit no longer uses any power.



The main switch and the ON/OFF switch do not disconnect the system unit from the line voltage. To disconnect the line voltage completely, remove the power plug from the grounded power outlet.

- ▶ Shut down the operating system properly.

### Standard PC

- ▶ Press the ON/OFF switch.

### PC with soft power off function

- ▶ Switch the system unit to ready-to-operate with the ON/OFF switch or switch it off with the main switch.

If the system unit is ready-to-operate, the power-on indicator lights up orange. The system unit consumes a minimum of energy and can be switched on by an external device (provided that the remote-on functionality is enabled in *BIOS Setup*).

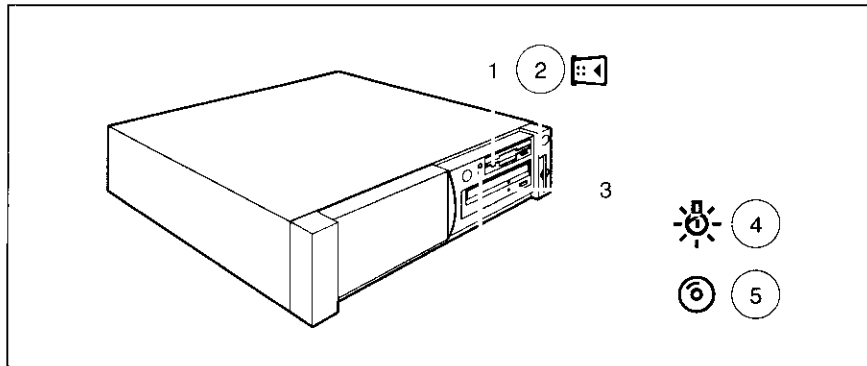
### Placing a PC (with soft power off function) in a ready-to-operate state by means of software

Prerequisite: Your system must support switching off with software and this functionality must be enabled in *BIOS Setup (Soft Power OFF - Enabled)*. In addition, the soft off software must be installed on Windows NT systems. Opening

In this way you can switch your PC ready-to-operate via software:

- Windows 95 and Windows NT via the *Shutdown Computer* menu or using the *DeskOff* program
- Windows for Workgroups using the *SWOFF* program

## Indicators on the system unit



1 = Floppy disk indicator  
2 = Chipcard reader indicator  
3 = CD-ROM indicator

4 = Power-on indicator  
5 = Hard disk indicator

### 1 - Floppy disk indicator

The indicator lights up when the floppy disk drive of the system unit is accessed. You may only remove the floppy disk when the indicator is dark.

### 2 - Chipcard reader indicator

The indicator lights up when the chipcard reader is accessed. You may only remove the chipcard when the indicator is dark.

### 3 - CD-ROM indicator

The indicator lights up when the floppy disk drive of the system unit is accessed. You may only remove the floppy disk when the indicator is dark.

**4 - Power-on indicator**

The indicator lights up green when the system unit is switched on.

The indicator lights up orange when the system unit is ready-to-operate. In this mode the PC consumes very little power and can be switched on at the ON/OFF switch. If the remote-on function is *Enabled* in the *BIOS Setup*, the system unit can be switched on by an incoming message (e. g. fax, telephone call).

The indicator does not light when the system unit is switched off.

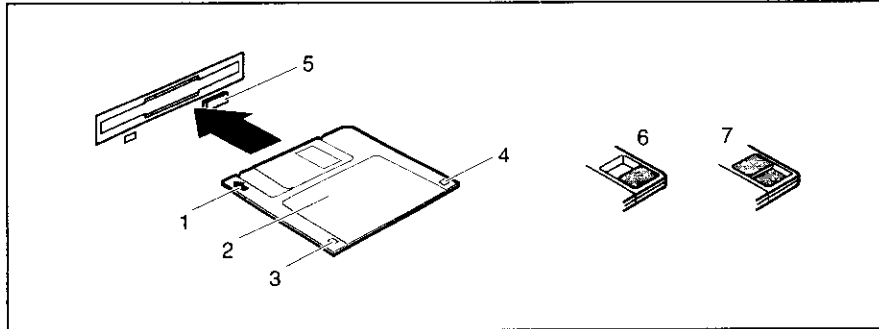
**5 - Hard disk indicator**

The indicator lights up when the hard disk drive of the system unit is accessed.

## Working with floppy disks



Follow the instructions supplied by the vendor of the floppy disks. Never clean the floppy disk drives with cleaning disks. Even just one attempt would destroy the read/write head in the disk drive within 20 seconds.



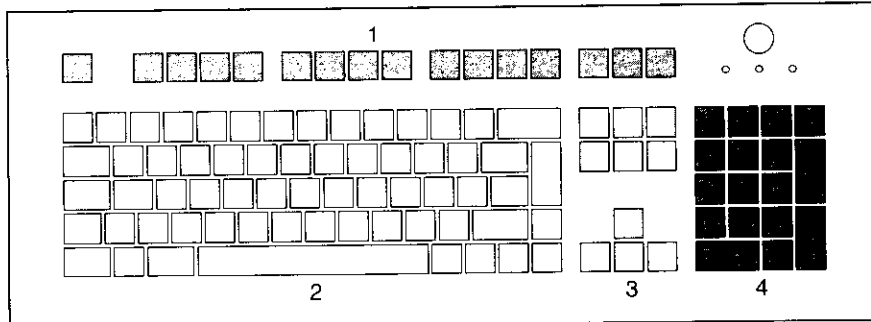
- 1 = Insertion direction
- 2 = Label area
- 3 = Write protection tab for a 720 Kbyte or a 1,44 Mbyte floppy disk
- 4 = Identification of a 1,44 Mbyte floppy disk or write protect tab on a 120 Mbyte floppy disk
- 5 = Eject button for inserted floppy disks
- 6 = Floppy disk is write protected
- 7 = Floppy disk is not write-protected

- ▶ To insert a floppy disk, push it into the drive in the insertion direction (1) until it engages. The label should be facing upward.
- ▶ To remove the floppy disk, press the eject button (5).

The write-protect slider enables you to protect the data on the floppy disk from inadvertent overwriting or deletion.

- ▶ To protect the data on the floppy disk from being overwritten, push the write-protect slider to position (6). The hole is now visible.
- ▶ To remove write-protection, push the slider to position (7). The hole is now covered.

## Keyboard



1 = Function keys  
2 = Alphanumeric keypad

3 = Cursor control keys  
4 = Calculator keypad (numeric keypad)

### Important keys and key combinations

The following description of keys and key combinations refers to MS Windows. Details of other keys and key combinations can be found in the documentation of the relevant application program.



#### Enter key

confirms or starts the marked selection. The enter key is also referred to as the "Return" key or "Carriage Return".



#### Start key

invokes the *START* menu of Windows 95 and Windows NT.



#### Menu key

invokes the menu for the marked item (Windows 95) and Windows NT.



#### Shift key

enables upper-case letters and the upper key symbols to be displayed.



**Alt Gr**

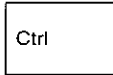
produces a character shown on the right-hand side of a key (e. g. the character "\" on the key **B**).

**Num Lock key**

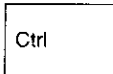
By pressing the Num Lock key you switch between the upper- and lower-case levels of the calculator keypad.

At upper-case level (Num Lock indicator lit) the digit and comma keys are active.

At lower-case level (Num Lock indicator not lit) the cursor control functions are active in the calculator keypad.

**Ctrl key**

starts key combination actions.



+



+

**Warm boot**

restarts your PC. First hold down the **Ctrl** and **Alt** key, and then press the **Del** key. With Windows 95 the Task Manager appears first. The warm start is then carried out the second time.

---

## Settings in BIOS Setup

The *BIOS Setup* menu allows you to set your hardware configuration and system functions. When the PC is delivered, the default entries are valid (see Technical Manual for the system board or in the manual "BIOS Setup"). You can customize these settings to your requirements in *BIOS Setup*.

If you want to change settings in *BIOS Setup*, you must:

- call *BIOS Setup*
- select the relevant menu
- select the field for the entry you want to change
- change the entry
- make other settings, if required
- save the settings and exit *BIOS Setup*

This chapter shows you how to call and operate *BIOS Setup*. The menus and setting options provided by *BIOS Setup* are described in detail in the Technical Manual for the system board.

### Calling BIOS Setup

- ▶ Reboot the PC.

One of the following messages will be displayed at the bottom of the screen:

Press <F2> to enter Setup

Press <F1> to resume, <F2> to Setup

- ▶ Press function key **F2**.



If you have assigned a setup password, you must now enter this password and confirm it with the Enter key.

The *Main* menu of *BIOS Setup* is displayed on the screen.



## Operating BIOS Setup

If you want to exit *BIOS Setup* without saving the new settings:

- Press the **[Esc]** key to enter the *Exit* menu.
- Select the option *Discard Changes & Exit*.
- Press the Enter key.

### Changing settings

To select the required menu in the menu bar, use the cursor **[←]** or **[→]**. To select the required field, use the cursor keys **[↑]** or **[↓]**. The field selected is highlighted.

To display a submenu, select the corresponding field (marked with ►), and press the Enter key. Press the **[ESC]** key to return from the submenu to its superior menu.

To change the entry for the selected field, use the **[+]** or **[-]** keys on the numerical keypad.

To set the default entries for the selected menu, press the function key **[F9]**.

To revert the fields of the selected menu to the entries that were in effect when *BIOS Setup* was called, press the function key **[F7]**.

### Saving settings

To save changed settings without exiting *BIOS Setup*, select *Save Changes* in the *Exit* menu.



If you change entries in *BIOS Setup*, make a note of the changed entries (e.g. in the technical manual for the system board or in the "BIOS Setup" manual), or print out the changed screen page. You can print the current screen page using the key combination Shift + **[Print]** if a printer is connected to the parallel port of the device.

## Exiting BIOS Setup

To exit *BIOS Setup*, select the *Exit* menu from the menu bar. You can then decide which settings you want to save. The *Exit* menu offers the following options.

You must mark the required option and activate it with the Enter key.

### **Save Changes & Exit**

Select *Save Changes & Exit* to save the current settings and exit the *BIOS Setup*. The PC is rebooted and the new settings come into effect.

### **& Exit**

Select *Discard Changes & Exit* to discard the changes you have made. The settings which were in force when *BIOS Setup* was called remain effective. *BIOS Setup* is terminated and the PC is rebooted.

### **Get Default Values**

To revert all the menus of *BIOS Setup* to the default entries, select *Get Default Values*. If you want to exit *BIOS Setup* with these settings, select *Save Changes & Exit*.

### **Load Previous Values**

To load the values of all the menus of *BIOS Setup* that were in effect when *BIOS Setup* was called, select *Load Previous Values*. If you want to exit *BIOS Setup* with these settings, select *Save Changes & Exit*.

### **Save Changes**

To save settings without exiting *BIOS Setup*, select *Save Changes*.

---

## Property and data protection

The software functions and mechanical lock on your PC enables you to protect your system and personal data in a number of ways against unauthorized access. By combining these options, you can achieve optimum protection for your system.

### Locking the system unit mechanically

You can mechanically lock the casing by means of the lock on the front of the system unit.

If your system is equipped with a drive cover you can additionally lock the drives and the ON/OFF switch.

### Access authorization via chipcard

In systems that are equipped with a chipcard reader, access can be restricted to users who have a corresponding chipcard.

### Anti-theft protection

The system unit is equipped with an eye on the back of the housing which can be used to secure the system with a chain

### Lead-sealing

To prevent unauthorized persons from opening the system unit, the housing can be lead-sealed. To do this, use the eye on the back of the housing and the hole in the upper housing section.

## Security functions under MS Windows

Under MS Windows you can activate a screen saver and protect it with a password. Only those users who know the password can deactivate the screen saver and access any open files. Detailed information on screen savers under MS Windows is provided by the associated help function.

### Security functions under Windows NT

You can use the *SSLAUNCH* program to start the screen saver Powersaver immediately. These programs are located on the "Drivers & Utilities" CD.

Information on Powersaver and *SSLAUNCH* can be found in the *POWERSAV.HLP* and *SSLAUNCH.EXE* files.

### Security functions under Windows 95

The *DeskLock* program enables you to activate the screen saver using a short-cut. Detailed information on this program is provided by the associated help function.

### Security functions under Windows for Workgroups

Using the *DeskLock* program you can lock the mouse and keyboard so that no input can be made. You can use *QLOCK.EXE* or *QLOCKWIN.EXE* under Windows for Workgroups and *QLOCK.COM* under MS-DOS. Information on *QLOCK.EXE* or *QLOCKWIN.EXE* can be obtained using the menu item Help, if you have called the program under Windows for Workgroups. Information on *QLOCK.COM* is provided in the Windows for Workgroups *Info* window or in the *QLOCK.TXT* file in the *C:\DRIVER* directory.

## BIOS Setup security functions

The *Security* menu in *BIOS Setup* offers you various options for protecting your system and personal data against unauthorized access. By combining these options, you can achieve optimum protection for your system.

**i** A detailed description of the *Security* menu is provided in the Technical Manual for the system board or in the "BIOS Setup" manual. The section "Setting the Setup/System password" describes how you set up passwords.

### Preventing unauthorized BIOS Setup calls

You can activate this protection by setting a setup password in the *Security* menu. In addition, you can suppress the *Press <F2> for Setup* message in the *Security* menu. This message is then no longer displayed while the PC is booting.

### Preventing unauthorized system access

You can activate this protection by setting a system password in the *Security* menu.

### Preventing unauthorized access to the settings of boards with their own BIOS

You can activate this protection by selecting the value *Extended for Setup Password Lock* field in the *Security* menu.

### Preventing system booting from the diskette drive

You can activate this protection by selecting the value *Diskette Lock* for the *System Load* field in the *Security* menu.

### Activating virus warnings

You can have a warning output if the boot sector has been modified. To activate this warning, select the value *Enabled* for the *Virus Warning* field in the *Security* menu.



**Preventing unauthorized writing of diskettes**

To activate this protection, select the value *Disabled* for the *Diskette Write* field in the *Security menu*.

**Protecting BIOS from overwriting**

To activate this protection, select the value *Disabled* for the *Diskette Write* field in the *Security menu*.

**Protecting PC from being switched on by an external device**

To activate this protection make the required settings in the *Power-on/Off* sub menu.

## Setting the Setup/System password

The Setup password prevents unauthorized calling of *BIOS Setup*. *BIOS Setup* can be called only by those who know the Setup password.

The system password prevents unauthorized access to your device. With the system password you can prevent booting of the operating system. The system can be accessed only by those who know the system password.

You must also set a Setup password to make the system password effective.



The password must be four to eight characters in length. All alphanumerical characters can be used; no differentiation is made between upper-case and lower-case.

Passwords are not displayed as they are entered.

If you have forgotten your passwords, please contact your technical customer service.

To set or change the setup/system password, proceed as follows:

- ▶ Call *BIOS Setup* and select the *Security* menu.
- ▶ Mark the *Set Setup Password* or *Set System Password* field and press the Enter key.

You are asked to enter a password:

Enter new Password:

- ▶ Enter the password and press the Enter key.

You are asked to confirm the password:

Re-enter new Password:

- ▶ Enter the password again and press the Enter key.

The new password is saved.

Changes have been saved [Continue]

For the setup password:

You can now choose whether you want the Setup password to prevent calling of the *BIOS Setup* only or in addition lock the settings of installed boards with their own BIOS.

- ▶ To prevent calling of the *BIOS Setup* only, mark the *Setup Password Lock* field and select the value *Standard*.

- ▶ To lock the settings of installed boards with their own BIOS in addition to preventing calling of the *BIOS Setup*, mark the *Setup Password Lock* field and select the value *Extended*.

For the system password:

- ▶ To prevent booting of the operating system, mark the *System Password Mode* field and select the value *System*.



To lock the keyboard and the mouse, use the security functions of your operating system instead of the *Keyboard* entry.

If you do not want to make any other settings, you can exit *BIOS Setup*.

- ▶ Select the option *Save Changes & Exit* in the *Exit* menu.

The device is rebooted and the new setup/system password is effective.

### Canceling the setup/system password



If you cancel the Setup password, you automatically deactivate the system password.

To cancel the setup/system password without setting a new password:

- ▶ Call *BIOS Setup* and select the *Security* menu.
- ▶ Mark the *Set Setup Password* or *Set System Password* field and press the Enter key.

You are asked to enter a password:

Enter new Password:

- ▶ Press the Enter key twice.
- ▶ Select the option *Save Changes & Exit* in the *Exit* menu.

The device is rebooted and the new setup/system password is canceled.

---

## Troubleshooting and tips



Take note of the safety hints in the manual "Safety and Ergonomics" and in the chapter "Preparation for use and operation", when you connect or disconnect cables.

If a fault occurs, try to correct it as described:

- in this chapter
- in the documentation of the connected devices
- in the help systems of the software used.

If you fail to correct the problem, proceed as follows:

- ▶ Switch the PC off.
- ▶ Make a note of the steps and the circumstances that led to the fault. Also make a note of any error messages displayed and the Ident-No. of your device.
- ▶ Contact your sales office or customer service.

### **Power-on indicator remains dark after you have switched on your device**

This may have the following causes:

#### **There is a defect in the ac power supply**

- ▶ Check that the power cable is plugged properly into the system unit and grounded power outlet.
- ▶ Switch the PC on at the main switch.

#### **Internal power supply overloaded**

- ▶ Disconnect the power plug of the system unit from the grounded power outlet.
- ▶ Plug the power plug into the grounded power outlet again.
- ▶ Switch the PC on at the main switch.

## The screen stays blank

If your screen remains blank this may have the following causes:

### Monitor is switched off

- ▶ Switch your monitor on.

### Screen has been blanked

- ▶ Press any key on the keyboard.

or

- ▶ Deactivate screen blanking (screen saver). Enter the appropriate password.

### Brightness control is set to dark

- ▶ Set the brightness control to light. For detailed information, please refer to the Operating Manual supplied with your monitor.

### Power cable or monitor cable not connected

- ▶ Switch off the monitor and the system unit.
- ▶ Check that the power cable is properly connected to the monitor and system unit or to the grounded power outlet.
- ▶ Check that the monitor cable is properly connected to the system unit or monitor (if not permanently attached).
- ▶ Switch on the monitor and the system unit.

### Wrong monitor has been set under Windows NT

- ▶ Restart the PC in standard VGA mode.
- ▶ Set the desired resolution in the *Control Panel* window using the *Display* program, and adjust the monitor display as described in the Operating Manual.

### Wrong monitor has been set under Windows 95

- ▶ Reboot the PC.

- ▶ If the message *Starting Windows 95* appears, press function key **[F8]**.

The Windows 95 start menu appears.

- ▶ Select the option *Safe mode* or *Safe mode with network support*.
- ▶ Set the correct values for the attached monitor by selecting *Start - Settings - Display - Settings*.

### **Wrong monitor has been set under Windows for Workgroups**

- ▶ Insert the system disk.
- ▶ Reboot the PC.

If your system is equipped with a GD54X6 screen controller:

- ▶ Use the *SET-VGA* program (under MS-DOS) to set the correct values for the attached monitor.

If your system is equipped with a screen controller from Matrox: Matrox arbeitet:

- ▶ Change into the Windows directory.
- ▶ Start the *Setup* program.
- ▶ Change the display type to *VGA*.
- ▶ Restart Windows and set the correct values for the connected monitor with the program *MGA Monitor Selection* and *MGA Control Panel* from the *MGA PowerDesk* program group.
- ▶ Change the display type back to *Matrox MGA* again.

## Flickering or drifting stripes on the monitor screen



Switch off the PC immediately!

The flickering stripes are caused either by an old-type screen that does not support the horizontal frequency of 47 kHz, or by an incorrect monitor selection under MS-Windows.

The drifting screen display is caused when the selected frequency and/or resolution is wrong.

The default screen values are 800x600 pixels at 75 Hz and for 64K colors.

- ▶ Find out which horizontal frequency your monitor screen supports. You will find the horizontal frequency (also known as line frequency or horizontal deflection frequency) in the documentation of your monitor.

## No mouse pointer displayed on the screen

- ▶ Shut down the operating system properly.
- ▶ Switch the PC off.
- ▶ Check that the mouse cable is properly connected to the system unit. If you use an adapter or extension lead with the mouse cable, check the connector.
- ▶ Make sure that only one mouse is connected.
- ▶ Switch the PC on.
- ▶ The mouse controller must be enabled, if you use a PS/2 mouse. Check in the *BIOS Setup* that the mouse controller is enabled.
- ▶ Check that the mouse driver is properly installed and is present when the application program is started. Detailed information can be found in the User Guide of the mouse or application program.

## The floppy disk cannot be read or written

- ▶ Check that the write-protection of the floppy disk or the floppy disk drive is activated (refer also to the Technical Manual of the system board or in the manual BIOS).
- ▶ Check the relevant entries for *Diskette A:* or *B:* in the *Main* menu of the *BIOS Setup*.
- ▶ Check that the floppy disk drive controller is enabled (refer also to the Technical Manual of the system board or in the manual "BIOS Setup").
- ▶ Check that the cables of the floppy disk drive are properly connected (refer to chapter "System expansions").

## Time and/or date is not correct

- ▶ Set the time and/or date. You can set the time and date in the *BIOS Setup* or in the operating system.



If the time and date are repeatedly wrong when you switch on your PC, the battery is flat. Change the lithium battery as described in the Chapter "System expansions".

## Error messages on the screen

Error messages and their descriptions are listed in the Technical Manual of the system board or in the "BIOS Setup" manual and in the documentation of the installed software.



## Restoring the hard disk contents

All data on the hard disk will be deleted. Operating system, drivers and software utilities will be reinstalled. For this reason you should try to save important data before you restore the hard disk contents.

### Restoring the hard disk contents under Windows NT

If you need to restore the hard disk contents you have to reinstall Windows NT. Proceed as described in the "Windows NT Setup" installation guide.

### Restoring the hard disk contents under Windows 95

Using the backup diskettes or Windows 95 CD, you can restore your PC to the state in which it was originally delivered from the factory.

#### Restoring hard disk contents with a Windows 95 CD

- ▶ Proceed as described in the related documentation.

#### Restoring the hard disk contents using the backup diskettes

- ▶ Insert the first backup disk and follow the instructions on the screen.
- ▶ Install the drivers and utilities in the *C:\PROGSDISKS* directory.

### Restoring the hard disk contents under Windows for Workgroups

The contents of the utility and driver diskettes of your system are located in the *C:\DRIVER* directory. You can create the corresponding diskettes by means of the relevant batch programs.

To restore the hard disk contents you also need MS-DOS and Windows for Workgroups disks. If you do not have these disks available, you can purchase a set of backup disks for MS-DOS and Windows for Workgroups. Contact your sales office or customer service.

## Tips

### The PC cannot be switched off with the ON/OFF switch

- ▶ Press the ON/OFF switch again.

Cause: The PC has not been switched on with the ON/OFF switch.

### Out of system resources

If you have too many applications running at once, you may experience problems due to a lack of system resources. If this happens, you should close applications you do not require or call the applications in a different order.

### BIOS settings in power management do not become active

The *Auto insert notification* setting may be active for the CD-ROM drive. This setting causes Windows 95 to inquire about any modifications on the drive at regular intervals. Because of this the timer for the idle time cannot time out.

To activate power management, proceed as follows:

- ▶ In Windows 95, select *Start - Settings - Control Panel - System - Device Manager - CD-ROM*.
- ▶ Select the installed CD-ROM drive from the list.
- ▶ Select *Settings*.
- ▶ Deactivate the *Auto insert notification* box.

### CD-ROM drive

Information on the CD-ROM drive can be found in the manual of the CDROM drive or on the "Drivers and Utilities" CD.

### Other manuals

Other manuals are contained on the "Drivers & Utilities" CD.

---

## System expansions



It may be necessary to update the BIOS when carrying out a system expansion or hardware upgrade. In this instance, please contact our service.

This chapter describes all the activities required to modify your PC hardware (e.g. installing boards or drives).

Memory and processor upgrading are described in the Technical Manual for the system board.

Read the supplied documentation before installing new drives and/or boards.

Refer to the Technical Manual for the system board before making any extensions on the system board.

## Opening the system unit



Pay attention to the relevant safety notes provided in chapter "Important notes".

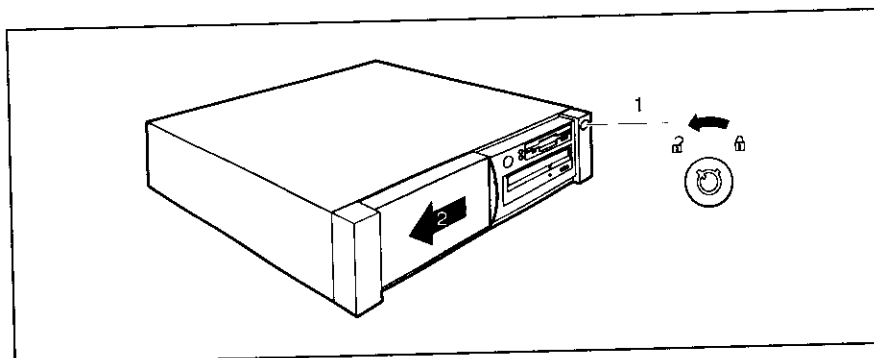
Due to the design, a number of steps are omitted for systems with an ATX system board. Observe the notes for these steps.

- ▶ Switch the PC off.

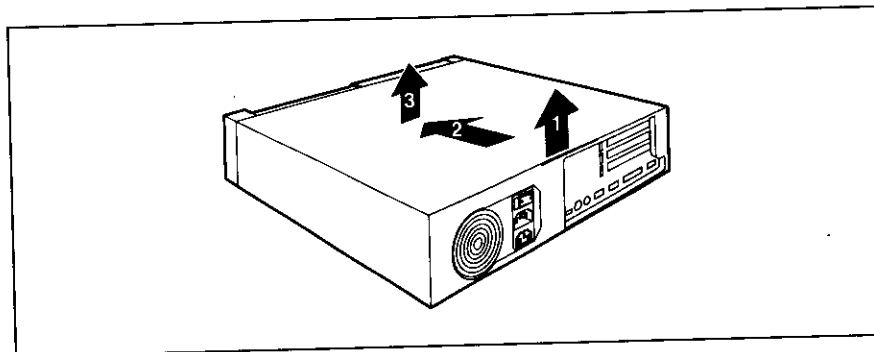


Pull the power plug out of the power outlet!

- ▶ If any cables attached to the system unit are obstructing you, pull out the connectors on the system unit.
- ▶ Place the system unit in a convenient working position.

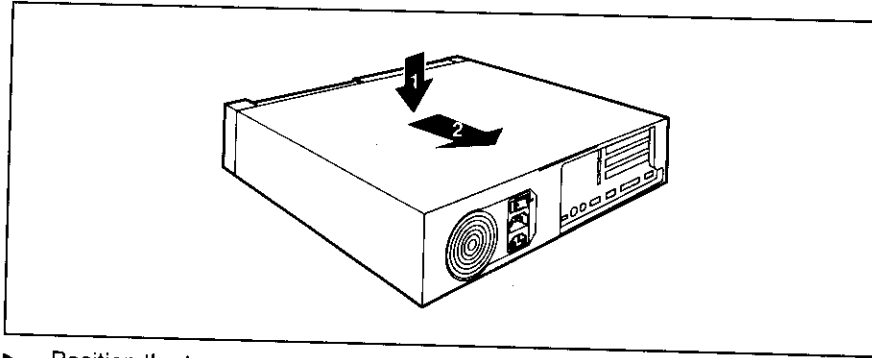


- ▶ Unlock the system unit (1) and slide the drive cover to the left (2).



- ▶ Lift up the top cover slightly at the rear edge (1).
- ▶ Push the top cover forcefully (with a jolt) in the direction of the arrow (2).
- ▶ Lift off the top cover completely in the direction of the arrow (3).

## Assembling the system unit

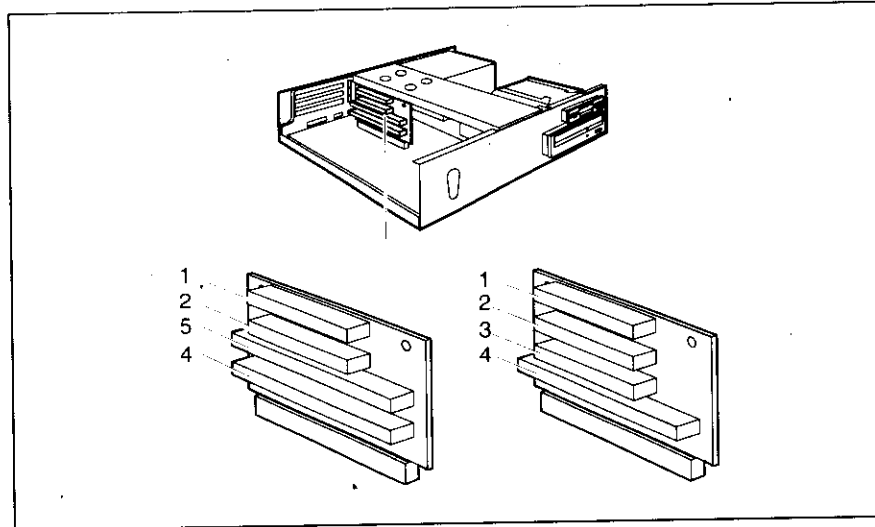


- ▶ Position the top cover on the system unit in the direction of the arrow (1). Ensure that the locating pins on the inside of the top cover engage in the corresponding guides on the system unit.
- ▶ Push the top cover in the direction of the arrow (2) until it engages.
- ▶ Return the system unit to its original position.
- ▶ If you have disconnected cables, reconnect them at the rear.

## Installing and removing a board



Observe the notes on installing and removing boards in the chapter "Important notes".



Example of slot boards

1 = PCI slot #1  
2 = PCI slot #2  
3 = PCI slot #3

4 = ISA slot  
5 = ISA slot

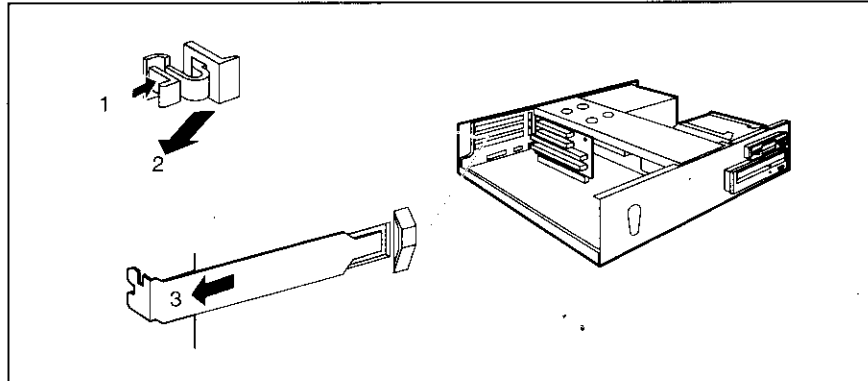


On the left-hand slot board slot 2 and 5 use the same expansion slot. On the right-hand slot board slot 3 and 4 use the same expansion slot.

Boards may be installed when the device is shipped.

## Installing a board

- ▶ Remove the top cover (see „Opening the system unit“).

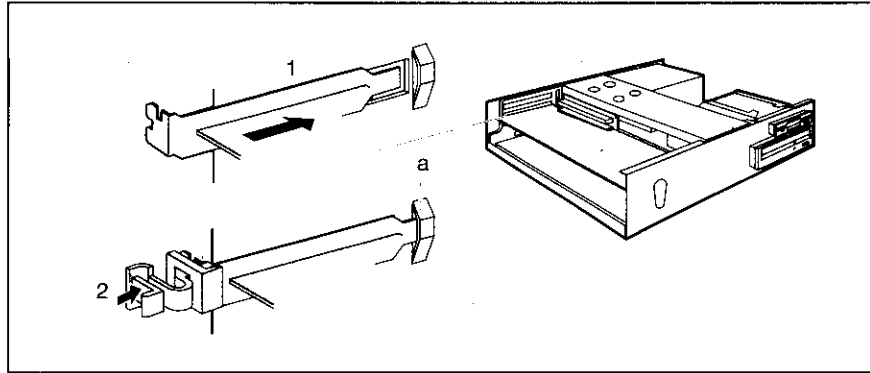


- ▶ Press on the clip in the direction of the arrow (1) and remove it (2).
- ▶ Remove the rear slot cover plate from the slot (3).



Do not dispose of the rear slot cover plate. For cooling, protection against fire and in order to comply with EMC regulations, you must refit the rear slot cover plate if you remove the board.

- ▶ Take the new board out of its packaging.
- ▶ Make the required settings for the board.



- ▶ Push the board horizontally into the slot (1). Ensure that the end of a long board without angle bracket fits into the corresponding guide of the system unit. Ensure also that the point of the angle bracket slots into guide (a).
- ▶ Press the board into the slot so that it engages.
- ▶ Replace the clip (2) which fixes the board. Ensure that the clip engages.
- ▶ If necessary, plug the lines on the board.
- ▶ Close the system unit (see „Assembling the system unit“).

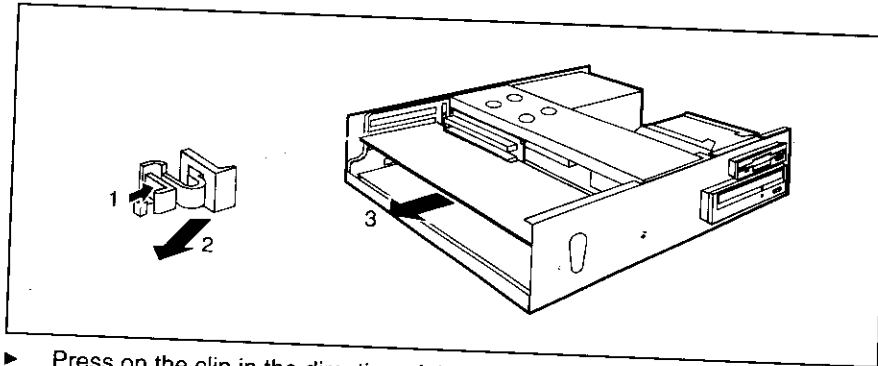


If you have installed a PCI board, please check in the *BIOS Setup* the settings for the relevant PCI slot. If necessary, change the settings. Further information is provided in the documentation for the PCI board.



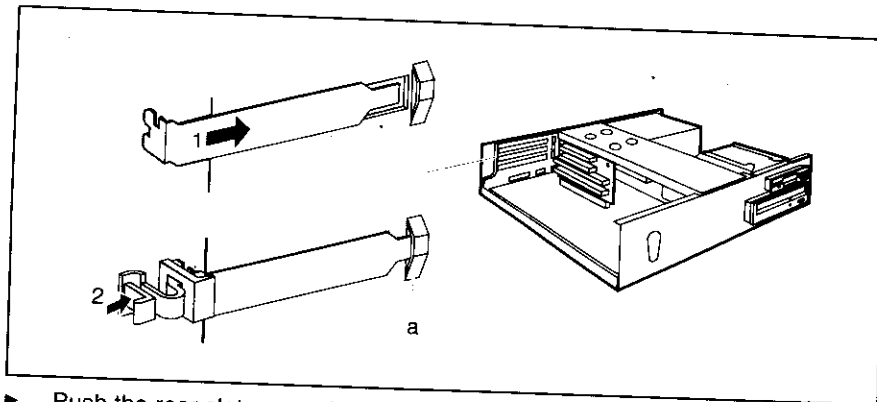
## Removing a board

- ▶ Open the system unit (see "Opening the system unit").
- ▶ Remove the lines connected to the board.



- ▶ Press on the clip in the direction of the arrow (1) and remove it (2).
- ▶ Remove the board from the system unit (3).
- ▶ Place the board into an appropriate packaging.

**i** For cooling, protection against fire and in order to comply with EMC regulations, you must refit the rear slot cover plate if you remove the board.



- ▶ Push the rear slot cover plate into the slot (1). Ensure that the point of the cover engages into the guide (a).

- ▶ Replace the clip (2) which fixes the rear slot cover plate. Ensure that the clip engages.
- ▶ Close the system unit (see „Assembling the system unit“).



If you have installed or removed a PCI board, please check in the *BIOS Setup* the settings for the relevant PCI slot. If necessary, change the settings. Further information is provided in the documentation for the PCI board.

## Installing and removing drives

The system unit houses a total of two accessible drives (one 5 1/4-inch drive and one 3 1/2-inch drive) and one non-accessible half-height (Slimline) drives .

### IDE drives

By default four IDE drives are supported. Ideally hard disks are connected to IDE channel 1, and accessible drives, for example CD-ROMs, to IDE channel 2 (see also the Technical Manual for the system board). The two existing IDE cables of the channels can be used for this purpose.

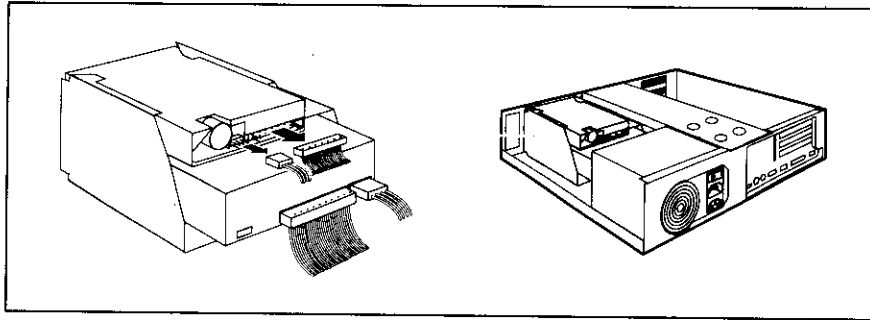
### SCSI drives

If you want to install an SCSI drive, you require an SCSI controller and an SCSI cable. Note that:

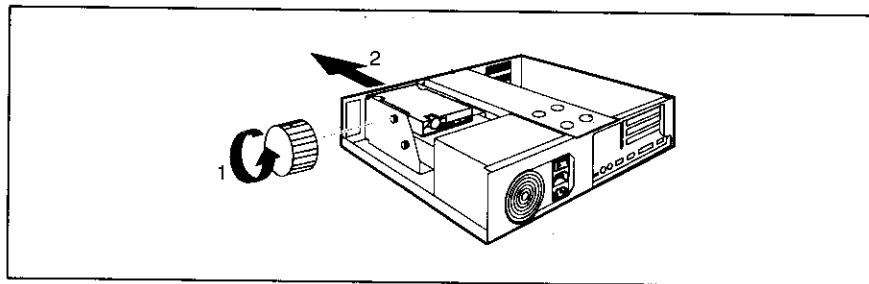
- not every SCSI controller is suitable for operating SCSI hard disks
- each SCSI device must be assigned its own SCSI-ID
- a device with activated or connected terminating resistors must always be connected at the end of an SCSI cable. The terminating resistors of all other SCSI devices attached must not be activated or connected.

## Changing the floppy disk drive

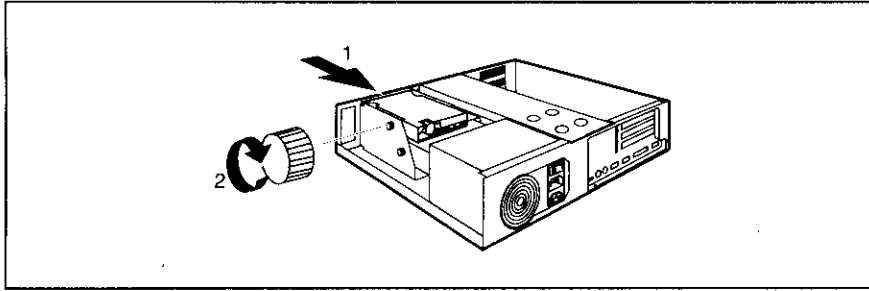
- ▶ Open the system unit (see "Opening the system unit").



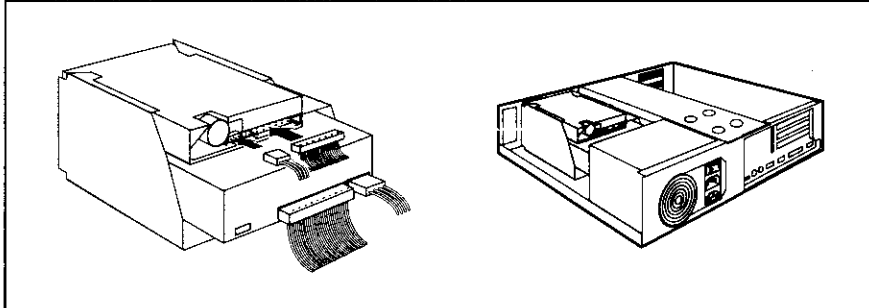
- ▶ Pull the connectors of the data and the power line from the floppy disk drive.



- ▶ Remove the knurled screw (1) and take the drive out of the system unit (2). You can also use a coin to loosen the knurled screw.
- ▶ Take the new floppy disk drive out of its packaging.



- ▶ Push the floppy disk drive into the system unit (1), and fix it with the knurled screw (2).



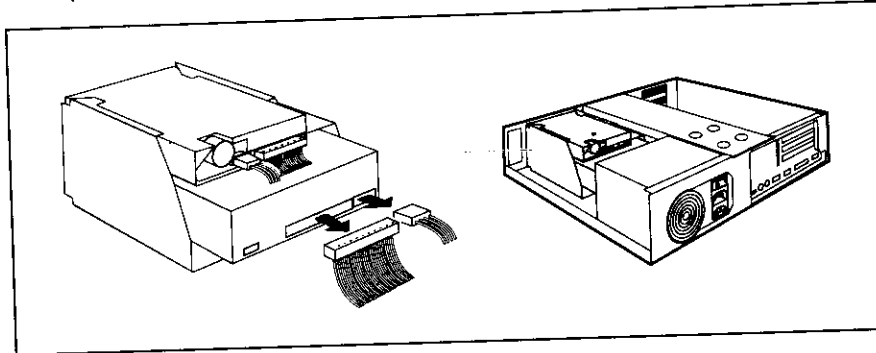
- ▶ Plug the data and the power supply connectors into the floppy disk drive.
- ▶ Close the system unit (see „Assembling the system unit“).

**i**

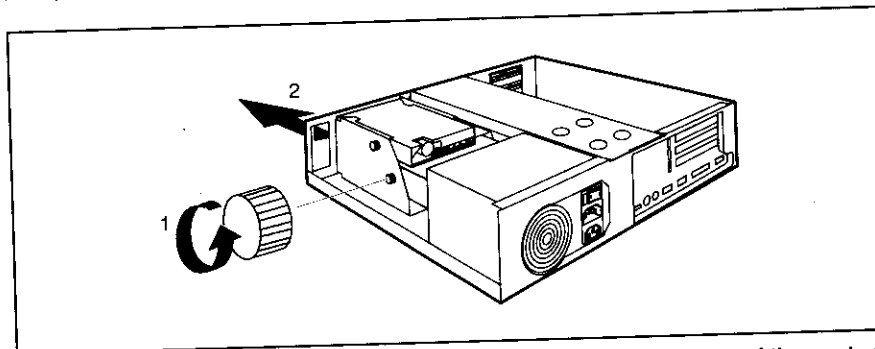
If the new floppy disk drive does not comply with the one removed, you must modify the value for diskette drive A: appropriately in the *BIOS Setup*.

## Changing the CD-ROM drive

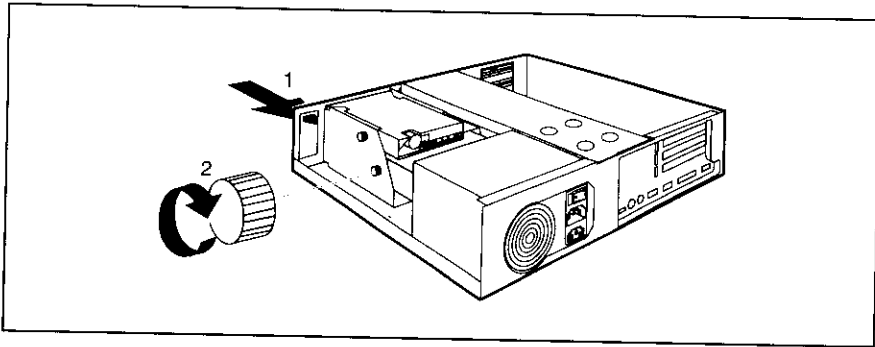
- ▶ Open the system unit (see „Opening the system unit“).



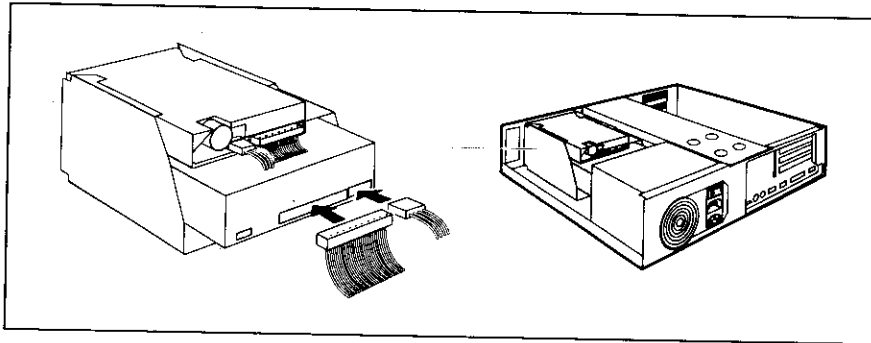
- ▶ Pull the connectors from the CD-ROM drive.



- ▶ Remove the knurled screw (1) and take the CD-ROM drive out of the system unit (2). You can also use a coin to loosen the knurled screw.
- ▶ Take the new CD-ROM drive out of its packaging.
- ▶ Make the required settings on the drive.



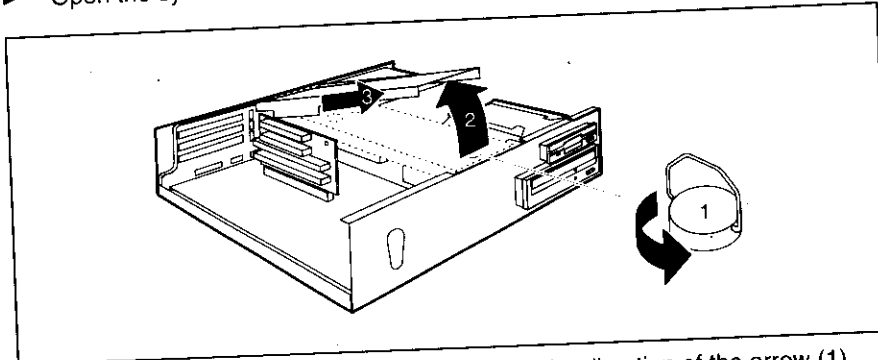
- ▶ Push the CD-ROM drive into the system unit (1) and fasten it with the knurled screw (2).



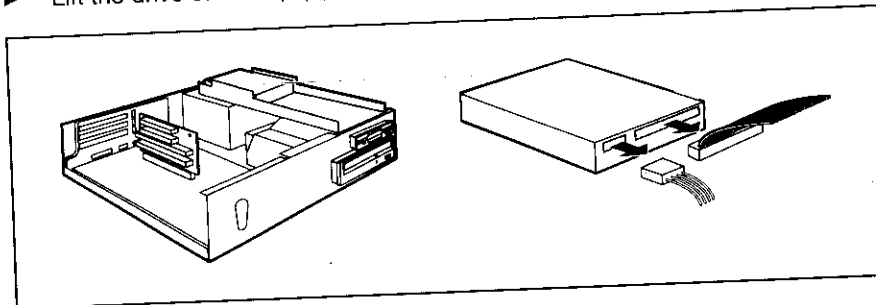
- ▶ Plug the connectors into the CD-ROM drive.
- ▶ Close the system unit (see „Assembling the system unit“).

## Replacing the hard disk drive

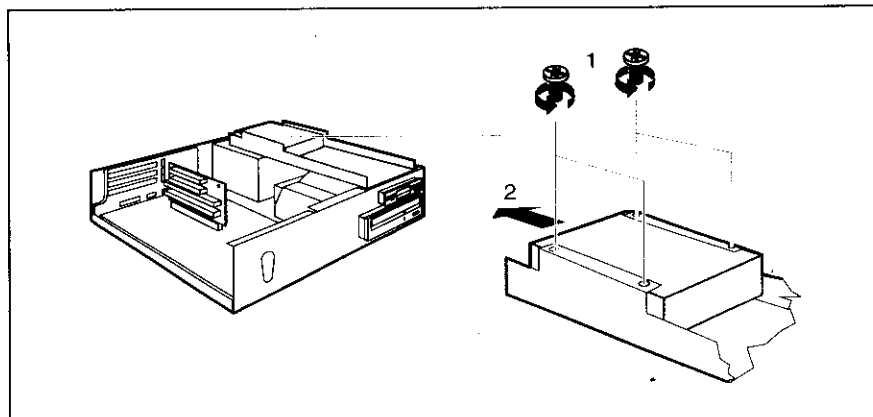
- ▶ Open the system unit (see "Opening the system unit").



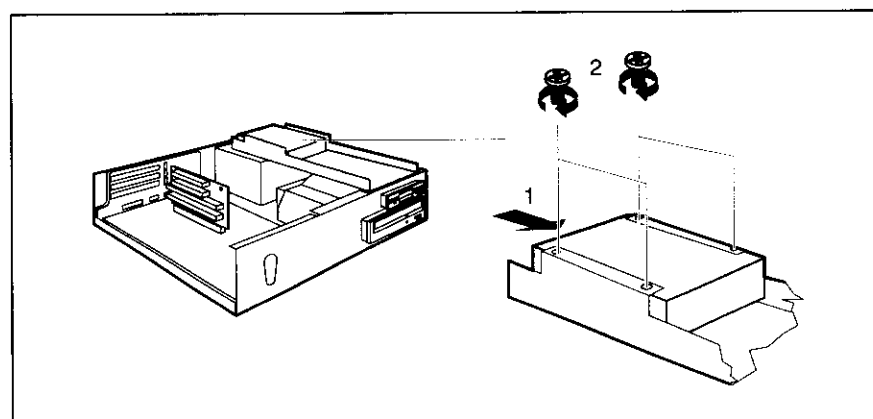
- ▶ Turn the screw about a quarter revolution in the direction of the arrow (1).
- ▶ Lift the drive carrier up (2) and pull it in the direction of the arrow (3).



- ▶ Put the drive carrier on its side.
- ▶ Pull the connectors of the data and the power line from the hard disk drive.

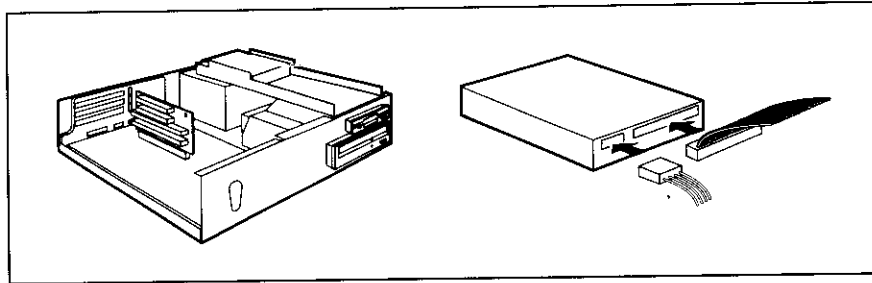


- ▶ Remove the four screws (1) and withdraw the hard disk drive from the drive carrier (2).
- ▶ Take the new hard disk drive out of its packaging.
- ▶ Make the required settings on the drive.

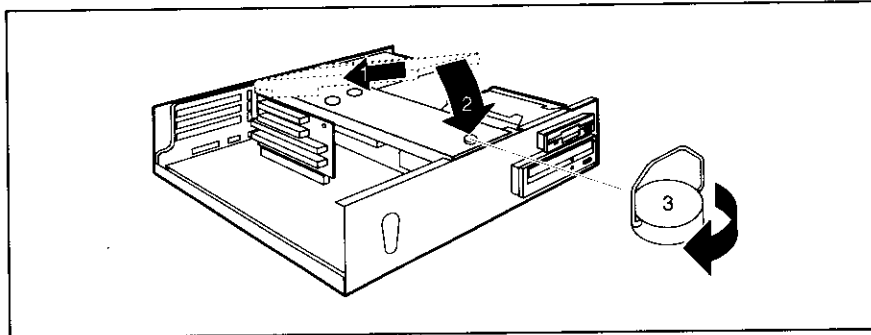


- ▶ Push the new hard disk drive into the carrier (1) and secure it with the four screws (2).





- ▶ Plug the data and the power supply connectors into the hard disk drive.



- ▶ Place the drive carrier into the system unit at a slanting angle (1) and tilt it downward (2). Ensure that the carrier engages properly on the slot board.
- ▶ Turn the screw about a quarter revolution in the direction of the arrow (3).
- ▶ Close the system unit (see „Assembling the system unit“).

**i** If the new hard disk drive does not comply with the one removed, you must modify the value for *Hard Disk* appropriately in the *BIOS Setup*.

## Extensions on the system board

Details of how and if you can upgrade the main memory or video memory for an on-board screen controller, or retrofit the second-level cache or the processor of your PC are provided in the Technical Manual for the system board. Below the necessary steps are described to enable you to work on the system board.

- ▶ Open the system unit (see „Opening the system unit“).

### Upgrading main memory

- ▶ Remove the carrier (see "Replacing the hard disk drive"). You do not need to pull the lines from the drive.

You have free access to the memory banks.

- ▶ Upgrade the memory as it is described in the Technical Manual for the system board.
- ▶ Install the carrier (see "Replacing the hard disk drive").
- ▶ Close the system unit (see „Assembling the system unit“).

### Upgrade the video memory, second level cache and processor

- ▶ Open the system unit (see "Opening the system unit").
- ▶ If a board is installed above the system board, you may have to remove it (see „Installing and removing a board“).

You have free access to the locations.

- ▶ Make the desired expansions (see the Technical Manual for the system board).
- ▶ If you have removed a board, install it now (see „Installing and removing a board“).
- ▶ Close the system unit (see „Assembling the system unit“).

## Replacing the lithium battery

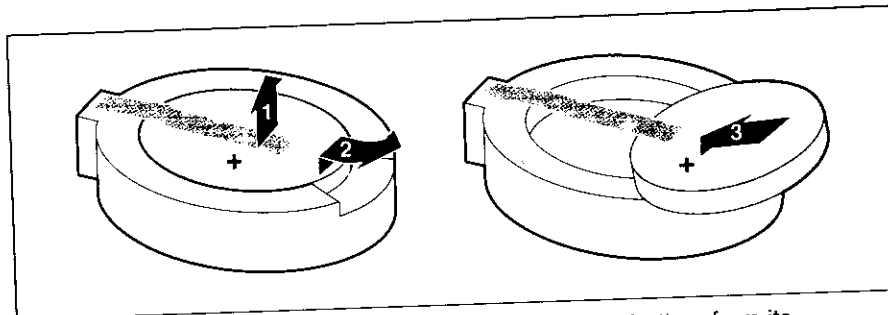


Incorrect replacement of the lithium battery may lead to a risk of explosion.

The lithium battery must be replaced with an identical battery or a battery type recommended by the manufacturer (CR2032).

Do not throw lithium batteries into the trashcan. It must be disposed of in accordance with local regulations concerning special waste.

Make sure that you insert the battery the right way round. The plus pole must be on the top!



- ▶ Lift the contact (1) a few millimeters and remove the battery from its socket (2).
- ▶ Insert a new lithium battery of the same type in the socket (3).

---

# Technical data

## Electrical data

Regulations complied with:	EN 60950 / VDE 0805 UL 1950 CSA 22.2 No.950
Protection class:	I
Rated voltage range: (selectable)	100 V to 127 V / 200 V to 240 V
Frequency:	50 Hz - 60 Hz
Max. rated current:	
• System unit with monitor socket:	100 V - 127 V / 5,0 A 200 V - 240 V / 3,0 A
• Monitor socket	100 V - 125 V / 3 A 200 V - 240 V / 1,5 A
Maximum power draw in operation:	< 60 W *)
Minimum power draw in operation: reduced by Windows 95 <i>Power management advanced</i>	< 37 W *)
Power draw in energy saving mode:	< 26 W *)
Power draw in the 'ready' status	< 3 W

\*) These values only apply for a SCENIC Pro C with the configuration below.  
When additional components are incorporated, the power consumption in energy saving mode may exceed the requirements for the environment symbol ("Blue Angel") (30 W).

Processor ( 256 KByte cache):	Pentium Processor MMX at 233 MHz
Main memory:	32 Mbytes
Floppy disk drive:	1.44 Mbytes
Hard disk drive:	1,6 GByte
Software:	Windows 95 <i>Power management -</i>
CD-ROM drive	<i>Advanced...</i> 24fold

## Dimensions

Width/Depth/Height:	425 mm/418 mm/157 mm
Weight:	ca. 8 kg (78,5 N) in basic configuration

## Technical data

---

### Environmental conditions

Environment class 3K2                      DIN IEC 721 part 3-3  
Environment class 2K2                      DIN IEC 721 part 3-2

Temperature:

- Operating (3K2)                              15 °C .... 35 °C
- Transport (2K2)                              -25 °C .... 60 °C

Condensation in operating must be avoided.

Clearance required to ensure adequate ventilation:

- left-hand side                              min. 200 mm
- front    min. 200 mm
- rear    min. 200 mm



Do not place several system units one above the other.

### Noise level

Sound power level  $L_{WAd}$  (ISO 9296):     $\leq 4.8$  B

Sound pressure level  
at operator position  $L_{pAm}$  (ISO 9296):    $\leq 36$  dB

Surface-average sound pressure level     $\leq 33$  dB

## Interrupt table

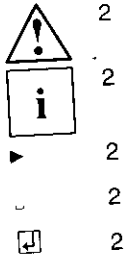
Please note that an interrupt cannot be used by two applications at the same time.

	Address	Interrupts assigned as shipped	possible Interrupts
Keyboard		IRQ1	
Serial interface COM1	03F8	IRQ4	
Serial port COM 2	02F8	IRQ3	
Fax/modem	03E8		IRQ5
Floppy disk drive controller		IRQ6	
Parallel interface LPT1	0378	IRQ7	
RTC		IRQ8	
Audio controller		assigned by the BIOS	IRQ5, IRQ7, IRQ9
Mouse controller		IRQ12	
Numeric processor		IRQ13	
IDE controller 1		IRQ14	
IDE controller 2		IRQ15	

### DMA channels

	DMA's assigned as shipped
Floppy disk drive controller	DMA2
Free/ECP mode	DMA3
Cascaded DMA channels	DMA4

# Index



## A

- Accumulator, disposal 8
- Activating, security measures 39
- Address 73
- Alphanumeric keypad 33
- Alt Gr key 34
- Anti-theft protection 39
- Assembling, PC 55
- Assignment
  - DMA channels 73
  - I/O address 73
  - interrupt 73
- Audio input 18, 19
- Audio output 18, 19

## B

- Batteri 4
- Battery 4, 69
  - disposal 8
- BIOS Setup
  - calling 35
  - changing 37
  - security functions 41
- BIOS Setup 35
  - exiting 38
  - operating 37
- Board
  - installing 56
  - removing 56
  - safety 6

## C

- Cable
  - connecting 17
  - disconnecting 17
- Cabling, PC 17
- Cache, installing 68
- Calculator keypad 33
- Calling, BIOS Setup 35
- CD, Windows 95 50
- CD-ROM drive
  - Indicator: 30
- CD-ROM drive
  - installing 64
  - manual 51
- CE certificate 8
- Changing
  - BIOS-Setup 37
  - hard disk drive 65
  - lithium battery 69
- Checking, rated voltage 22
- Chipcard reader
  - indicator 30
- Class B Compliance Statement 9
- Cleaning 13
- Clearance 72
- Configuration, BIOS-Setup 35
- Connecting
  - cables 17
  - devices 17
  - keyboard 19
  - monitor 21
  - mouse 20
  - parallel port 20
  - power voltage 22
  - serial port 20
- Contents of delivery 15
- Control key 34
- Courier 2
- Ctrl key 34
- Ctrl+Alt+Del 34
- Cursor control keys 33

**D**

- Dark screen 46
- Data
  - protection 39
  - technical 71
- Date, not correct 49
- Devices
  - connecting 17
  - interface 18
- Dimensions 71
- Diskette 32
  - cannot be read or written 49
  - write-protection 32
- Disposal 8
- DMA 73
- Drifting screen display 48
- Drive 60
  - CD-ROM, installing 64

**E**

- Electrical data 71
- Electromagnetic compatibility 8
- Energy saving 7
- Enter key 33
- Environmental conditions 72
- Environmental data 72
- Ergonomic, video workstation 16
- Error
  - date 49
  - floppy 49
  - mouse 48
  - screen 46, 48
  - System unit 45
  - Time 49
- Error message 49
- ESD 6
- Exiting, BIOS Setup 38
- Expansion 53
- External devices
  - connecting 17
  - ports 18

**F**

- FCC statement 9
- Floppy disk drive
  - indicator 30
  - installing 61
- Front panel 19
  - audio ports 19
  - chipcard reader 19
  - infrared port 19
- Function keys 33

**G**

- Game port 18
- Green, power-on indicator 31
- Guarantee coupon booklet 15

**H**

- Hard disk, defect 50
- Hard disk drive
  - indicator 31
  - installing 66
  - replacing 65

**I**

- I/O address 73
- IDE drives 60
- Important notes 3
- Indicator
  - power-on indicator fails to light 45
  - remains blank 46
- Indicators, system unit 30
- Installing
  - board 56
  - CD-ROM drive 64
  - floppy disk drive 61
  - hard disk drive 65, 66
- Insufficient memory 51
- Interfaces 18
- Interrupt table 73
- Italics 2



**K**

Key combination 33, 34  
Keyboard 33  
    cleaning 14  
    connecting 19  
    port 18  
Keys 33

**L**

LAN-port 18  
Laser 5  
Laserhänvisning 5  
Laserinformation 5  
Laser-ohje 5  
Lead-sealing 39  
Lift up, top cover 53  
Line in 18, 19  
Line out 18, 19  
Lithium battery 4, 68  
    replacing 69  
Locking, PC 24

**M**

Main memory 68  
Main switch 25  
Manufacturer's notes 7  
Memory, upgrading 68  
Menu key 33  
Microphone jack 18, 19  
Monitor  
    cleaning 14  
    connecting 21  
    port 18  
    transporting 13  
Mounting, top cover. 55  
Mouse  
    cleaning 14  
    connecting 20  
    error 48  
    port 18

**N**

No screen display 46, 48  
Noise level 72  
Not enough memory 51  
Notational conventions 2  
Note  
    board 6  
    CE certificat 8  
    disposal 8  
    Energy saving 7  
    important 3  
    laser 5  
    manufacturer 7  
    power cord selecction 10  
    RFI resion 9  
    Safety 3  
Num Lock key 34  
Numeric keypad 33

**O**

ON/OFF switch 25  
Opening, PC 53  
Operating, BIOS Setup 37  
Operation 15  
Orange, power-on indicator 31  
Other manuals 51  
Overview  
    PC 1  
    preparing for use 16

**P**

Packing material 15  
Parallel port 18  
    connecting devices 20  
Password  
    Setup password 43, 44  
    System password 43, 44

- PC
  - assembling 55
  - cabling 17
  - cannot boot 45
  - cleaning 14
  - connecting 17
  - connecting to power voltage 22
  - indicators 30
  - locking 24
  - opening 53
  - ports 18
  - setting up 16
  - switching off 25, 29
  - switching on 25, 28
  - transporting 13
  - unlocking 24
- Ports, external devices 18
- Power cord selection 10
- Power voltage, connecting to 22
- Power management 51
- Power-on indicator 25, 31
  - dark 45
- POWERSAV.SCR 7
- Preparation for use 15
- Preparing for use
  - overview 16
- Problems 45
- processor 68
  - replacing 68
  - upgrading 68
- Property protection 39
- PS/2 mouse port 18
- R**
- Rated voltage, setting 22
- Ready-to-operate 25
- Recycling 8
- Reinstalling, hard disk contents 50
- Removing
  - board 56
  - hard disk carrier 65
- Replacing
  - board 56
  - hard disk drive 65
  - lithium battery 69
  - processor 68
- Restoring, hard disk contents 50
- Return key 33
- RFI suppression 9
- S**
- Safety 3
- Screen blanking 7
- Screen, drifting display 48
- SCSI drives 60
- Second-level cache, upgrading 68
- Security function 41
- Security functions
  - Chipcard 39
  - lock 39
  - MS-Windows 40
- Security measures 39
- Select, power cord 10
- Serial interface 18
- Serial port, connecting devices 20
- Setting
  - rated voltage 22
- Settings, BIOS Setup 35, 37
- Setup password 43
  - canceling 44
- Setup, see BIOS Setup
- Shift key 33
- Soft Power Off 29
- SSLAUNCH 7
- Start key 33
- Starting, BIOS Setup 35
- Summer time 49
- Surface 71
- Switching off, PC 25, 29
- Switching on, PC 25, 28
- Symbols, explanation of 2
- System board, extensions 68
- System expansion 53

System Password 43  
    canceling 44  
System settings, BIOS Setup 35  
System unit, see PC

**T**

Technical data 71  
Time, not correct 49  
Tips 45, 51  
Transport 13  
Trouble  
    Floppy 49  
    mouse 48  
    screen 46, 48  
    System unit 45  
Troubleshooting 45

**U**

Unlocking, PC 24  
Unpacking 15  
Upgrading  
    memory 68  
    processor 68  
    Second Level-Cache 68  
    video memory 68  
USB, Universal Serial Bus 18

**W**

Warm boot 34  
Ventilation area 72  
VESA (DPMS) 7  
Video memory, upgrading 68  
Video workstation 16  
Windows 95, CD 50  
Winter time 49  
Write protection, floppy 32