



F-07B

INSTRUCTION MANUAL '10.5

docomo STYLE series

DOCOMO W-CDMA, GSM/GPRS System

Thank you for purchasing "docomo STYLE series F-07B" mobile terminal.


Before using F-07B, read this manual to ensure safe use and handling.

Instruction manuals for F-07B

The operations of F-07B are described in this manual, "使いかたガイド (Guide)" (installed in FOMA terminal) and "Instruction manual (detailed version)" (PDF file).

Instruction manual (this manual)

This manual provides information about screens and operations of basic functions.

*  is index term for "使いかたガイド (Guide)".

"使いかたガイド (Guide)" (installed in FOMA terminal)

This guide provides overviews and operations of frequently-used functions. (In Japanese only)

In F-07B Stand-by display, **MENU** ▶ **6** LifeKit ▶ **#** Guide ▶ Select a search method

"Instruction manual (detailed version)" (PDF file)

This manual provides detailed information and operations of all the functions. (In Japanese only)

(From a PC) This manual can be downloaded from NTT DOCOMO website.

<http://www.nttdocomo.co.jp/support/trouble/manual/download/index.html>

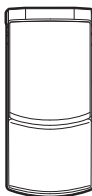
* The URL and contents are subject to change without prior notice.

- In this "F-07B INSTRUCTION MANUAL", "F-07B" mobile terminal is usually referred to as "FOMA terminal".
- The images or illustration used in this manual are examples. They may differ from the actual displays.
- In this manual, "authenticate" indicates the operating procedure for entering the terminal security code in 4-8 digits (⇒P51) or performing fingerprint authentication (⇒P53).

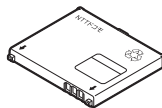
Basic package

F-07B

(including Back Cover F49
and warranty)



Battery Pack F11



Instruction manual



CD-ROM for F-07B



Compatible options ⇒PXX

- Unauthorized copying of parts of or this entire manual is prohibited.
- The contents in this manual, URL and contents are subject to change without prior notice.

Contents

Introduction

FOMA Terminal.....	2
What you can do with F-07B	3
Part names and functions	4
Using Open assist button	6
YOKO-MOTION	6
Precautions (ALWAYS FOLLOW THESE DIRECTIONS)	7
Handling precautions	14

Basic Operation



Before Using.....	18
Screen Explanation.....	21
Character Entry	36
Sound/Screen Setting.....	29
Lock/Security	37

Connect



Call Telephone.....	55
Mail.....	63
Phonebook.....	68

Search



i-mode/Full Browser	77
i-Channel	81
Map/GPS.....	82

Enjoy



Camera	87
1Seg	89
Music	91
i-appli	94
i-motion/Movie.....	95

More convenient



Osaifu-Keitai	101
i-concier	102
Convenient tools	103
Data management.....	111

Others

Support.....	121
Appendix.....	131
Index.....	150

Introduction

Basic Operation

Connect

Search

Enjoy

More Convenient

Others

FOMA Terminal

- Because your FOMA terminal uses wireless transmission, it may not function in locations where it is difficult for radio waves to penetrate, such as tunnels, underground passages and some buildings, in areas where radio waves are weak, or out of service area. Even when you are high up in a tall building or condominium and nothing blocks your view outside, your FOMA terminal may not be able to receive or transmit signals. Also, communication may be interrupted even when the signal meter on your FOMA terminal indicates there are strong radio waves and you are not moving (traveling).
- Use your FOMA terminal in a way that does not disturb others in public spaces, crowded locations or quiet places.
- Because your FOMA terminal uses radio waves to communicate, it is possible that a third party may attempt to tap your calls. However, the W-CDMA, GSM/GPRS system automatically applies a confidential communication function to all calls, so even if a third party could somehow tap a call, they only hear noise.
- Your FOMA terminal encodes voice communication as digital data. When you are operating your FOMA terminal while moving to a location subject to weaker radio wave conditions, the transmitted digital data may not be correctly decoded and as a result the decoded voice may differ somewhat from the actual voice.
- Maintain a separate record of the data (Phonebook, Schedule, Notepad, Recorded messages, Voice memos, Moving picture memos, etc.) you registered in your FOMA terminal. Note that DOCOMO assumes no responsibility for any loss of saved contents of data resulting from malfunction, repair, changing of the model or other handling of FOMA terminal.
- You are recommended to save important data to microSD card. Using DOCOMO keitai datalink, you can transfer and save phonebook, mail, schedule and other data to a PC.
- The user hereby agrees that the user shall be solely responsible for the result of the use of SSL/TLS. Neither DOCOMO nor the certifier as listed herein makes any representation and warranty as for the security in the use of SSL/TLS. If the data should be erased, DOCOMO assumes no responsibility for the loss of any data.
Certifier : VeriSign Japan K.K., Cybertrust Japan Co., Ltd., GlobalSign K.K., RSA Security Japan Ltd., SECOM Trust Systems Co., Ltd., Comodo CA Ltd., Entrust, Inc.
- This FOMA terminal supports FOMA Plus-Area and FOMA HIGH-SPEED Area.
- FOMA terminal can be used only via the FOMA network provided by DOCOMO and DOCOMO's roaming area.

What you can do with F-07B

AUTO-GPS

83

The AUTO-GPS function allows for useful services that deliver information about the weather or shops around where you are, or sightseeing information.



使いかたガイド (Guide)

25

Guide is useful for checking an operating procedure of the function you want to use on FOMA terminal. Without Instruction manual at hand, you can check immediately. (In Japanese only)



i-concier

102

i-concier is a service to use FOMA terminal conveniently in which a character on the stand-by display (Machi-chara) notifies you of useful information and schedules (i-schedule) can be downloaded automatically from a site. (In Japanese only)



International Roaming (WORLD WING)

61

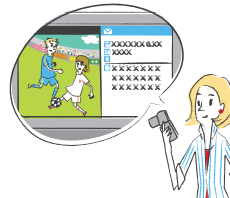
While staying overseas, you can use the same FOMA terminal, phone number and mail address as those used in Japan (3G/GSM Areas are supported).



YOKO-MOTION

6

You can rotate the display 90 degrees to the right or left to watch 1Seg, shoot still images/moving pictures, or operate mail or browser in horizontal display. Some functions or i-appli support the wide-screen and can be viewed at full wide in horizontal display. You can also activate the functions by rotating the display.



Kid-safe mode

44

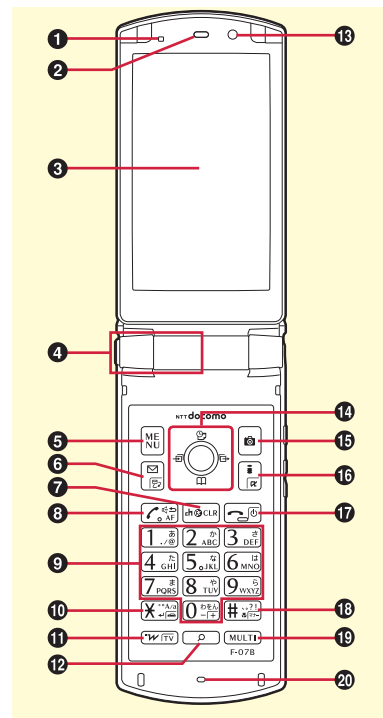
You can restrict usable functions, so you can let your child use FOMA terminal without anxiety.



Part names and functions

Part names of F-07B and major functions assigned to each part are as follows.

- 1 **Light sensor**
Sense the ambient luminance to automatically adjust the brightness of the display. Do not cover the sensor with your hand or a sticker.
- 2 **Earpiece**
- 3 **Display**⇒P21
- 4 **1Seg antenna (built into FOMA terminal)**
- 5 **MENU/MENU key**
Display a menu.
- 6 **Mail key/Character key**
Display the mail menu and switch character input mode.
- 7 **CLR/CLR key**
Display i-Channel or return to the previous screen.
- 8 **Start a voice call key**
- 9 **0-9 Keypads**
Enter phone number or characters, or select an item.
- 10 ***/*Public mode (Drive mode) key**
Enter "*" or voiced/semi-voiced sound, or start/cancel Public mode (Drive mode).
- 11 **i-Widget/TV key**
Start/Exit i-Widget or start 1Seg.



- 12 **Search key**
Start Quick search.
- 13 **In-camera**
Shoot yourself or send your image during videophone
- 14 **Multi-cursor key**
Move the cursor, or operate a menu.
 - ◉ : Perform an operation.
 - ⌂ : Display Scheduler, or adjust the volume.
 - ☎ : Display Phonebook, or adjust the volume.
 - ☎ : Display Received calls.
 - ☎ : Display Redial.
- 15 **Camera key**
Start the still camera/movie camera.
- 16 **i-mode/i-appli key**
Display i-mode menu or i-appli folder.
- 17 **Power/End key**
Turn on/off FOMA terminal, or exit a function.
- 18 **#/Silent mode key**
Enter "#" or punctuation, or start/cancel Silent mode.
- 19 **MULTI Multitask key**
Start/perform a different function.
- 20 **Microphone**
Do not cover the microphone during a call or sound recording.

21 Light

The light turns on or blinks when the battery charges, etc.

22 Sub-display ⇒ P22**23 FOMA antenna (built into FOMA terminal)**

Do not cover it with your hand.

24 Out-camera

Shoot still images or moving pictures.

25 Light

Use as camera light for videophone call or shooting still images/moving pictures, or simple light.

26 Fingerprint sensor

Authenticate a fingerprint.

27 Speaker

Hear ring alert or voice of the caller using the handsfree function.

28 Infrared data port

Use this port for infrared communication or infrared remote control function.

29 Mark

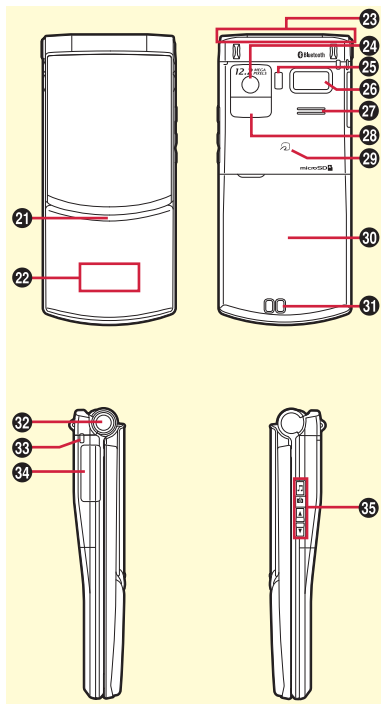
Use Osaifu-Keitai or send/receive data by iC transmission.

30 Back cover

* To access the microSD card slot, remove the back cover and the battery pack.

31 Charging jack**32 Open assist button**

Press this button to open FOMA terminal.

33 Strap opening**34 External connection jack**

Available to connect an optional AC adapter, DC adapter, FOMA USB Cable with Charge Function, Earphone Plug Adapter for External connector terminal etc.

35 Side keys

: Use for operating MUSIC Player or Music&Video Channel, or for shooting.

: Stop the ring tone, alarm sound, vibration, or adjust the volume.

: Adjust the volume, turn on the light on the sub-display or switch the views.

Example of connecting Flat-Plug Earphone/Microphone with Switch (optional)