

NTT
docomo

M02

arrows Fit

INSTRUCTION MANUAL '15.9

Introduction

Thank you for purchasing "M02" mobile terminal. Before using your terminal, or when necessary, read this manual to ensure safe use and handling.

Learning operations

Viewing this manual

Contents

Search	98
docomo backup	99

Settings 102

Setting menu	102
Sound/Vibration/LED	102
Display & Wallpaper	104
Battery	107
Wi-Fi	107
Data communication/Airplane mode	112
Lock & Security	116
Language/Text/Input	128
Useful tools	130
docomo service/cloud	132
Profile	133
Device management	133

File management 137

Storage (Internal storage)	137
microSD card (External storage)	137
File operations	139

Data communication 140

Bluetooth® communication	140
NFC communication	143

External device connection 144

Connecting with a PC	144
----------------------------	-----

Connecting with a printer	144
Connecting with other devices	146

International roaming 147

Outline of international roaming (WORLD WING)	147
Available services for overseas	147
Before using the terminal overseas	147
Making/Receiving a call in the country you stay	150
Setting international roaming	151
After returning to Japan	152

Appendix/Index 153

Troubleshooting (FAQ)	153
Anshin Enkaku Support	159
Resetting the terminal	160
Warranty and After-Sales Service	160
Software update	162
Main specifications	165
Specific Absorption Rate (SAR) of Mobile Phones	169
Export Administration Regulations	173
Intellectual Property Right	173
SIM unlock	175
Index	176

Failure to do the above operation may cause fire, burns, injuries, electric shock.

CAUTION

Do not leave the equipment on unstable or sloping surfaces.

The equipment may fall and cause injuries.

Do not store the equipment in extremely humid, dusty or hot areas.

May cause fire, burns, electric shock.

Children using the equipment should be instructed in proper operation by an adult. Do not allow them to use the equipment without adult supervision.

May cause injuries.

Store the equipment out of reach of infant.

Failure to do so may cause accidental ingestion, injury, or electric shock.

Be careful especially when using the terminal continuously for a long time. Also, avoid touching the terminal for a long time such as by falling asleep.

If you use applications, talk on the phone, or watch videos for a long time or while charging the battery, the terminal and adapter may become hot.

Directly touching a hot part for a long time, you may have redness, itching or rash on your skin, or it may result in low-temperature burns depending on your constitution and/or health condition.



Don't

Do not put foreign objects such as liquid like water, metal pieces or burnable things into docomo nano UIM card slot or microSD card slot.

May cause fire, burns, injuries, electric shock.



Don't

Do not turn on the light aiming directly at the driver of the car etc.

May disturb driving and cause an accident.



Don't

If a strange smell, heat generation, discoloration, deformation, etc. are found, stop using the terminal immediately and keep it away from the vicinity of open flames.

May cause fire, burns, injuries, electric shock due to internal battery to ignite, burst, heat or leak.



Do

Turn off the terminal or put it in Airplane mode before boarding an airplane.

The use of mobile phones on airplanes is restricted. Follow the instructions of each airline.

May cause on-board electronic equipment to fail or malfunction.

Prohibited acts related to mobile phone usage on an airplane may be punished by law.



Do

Follow the instructions of each medical facility for the use of mobile phones on their premises.

Turn off the terminal in a place where the use is prohibited. May cause electronic equipment or electronic medical equipment to fail or malfunction.



Do

When you talk by setting handsfree or ring alert is sounding, keep the terminal away from your ear.

And, when connecting the earphone/microphone etc. to the terminal and play a game or music, adjust the volume moderately.

Too loud volume may cause a hearing loss.

And, if you cannot hear the sound around you clearly, it may cause an accident.



Do

If you have weak heart, be careful when setting the incoming vibrate alert (vibration) or alert volume setting.

May cause harmful effect on heart.



Do

When you use electronic medical equipment, check with the equipment manufacturer to determine how the device is affected by radio waves before using.

May cause harmful effect on electronic medical equipment etc.



Do

Turn the terminal OFF near high-precision electronic control equipment or electronic equipment using low-power signals.

May cause the equipment to fail or malfunction.

* Examples of electronic equipment to avoid
Hearing aids, implanted pacemakers or defibrillators, other electronic medical equipment, fire alarms, automatic doors and other automatic control equipment.
Users wearing implanted pacemakers or defibrillators or other electronic medical equipment should check with the manufacturer or sales outlet about the effect of radio frequencies on the equipment.

When the display or camera lens is accidentally broken, be careful of broken glass or exposed internal parts of the terminal.

Surface of display is made of hardened glass and camera lens is made of plastic panel so that they are not to be shattered, however, if you mistakenly touch broken or exposed parts, you may be injured.

If the internal battery leaks or gives off a strange smell, immediately remove the terminal from the vicinity of open flames.

The vapors from leaking battery fluid may ignite, fire or explode.

CAUTION

Do not swing the terminal around by holding strap, etc.

May cause accident such as injury to yourself or others by hitting.

Do not use the damaged terminal.

May cause fire, burns, injuries, electric shock.

When using the motion sensor, check the safety around you, hold the terminal firmly, and do not shake it unnecessarily.

May cause accident such as injuries.

If the display part is accidentally broken and the inside of the material leaks out, do not make the substance contact with your skin of face or hands.

May cause loss of sight or skin problems.

If the inside of the material gets into your eyes or mouth, rinse it with clean water and see a doctor immediately.

Also, if it gets on your skin or clothes, use something such as alcohol to wipe off, and wash it off with soap or something similar.

Do not discard the old terminal together with other garbage.

May cause malfunction or damage. Bring the old terminal into a sales outlet such as docomo Shop. If your local municipality has a recycling program, dispose of them as provided for.

To use the terminal in car, check with automobile manufacturer or dealer to determine how the device is affected by radio waves before using.

In rare cases, using the phone in some vehicle models can cause the vehicle's electronic equipment to malfunction. In that case, stop using the terminal immediately.

The use of the terminal may cause itching, rashes, eczema, or other symptoms depending on the user's physical condition. If you develop skin problems, stop using the phone immediately, and see a doctor.

For material of each part

If fluid etc. leaks out from the internal battery, do not make the fluid contact with your skin of face or hands.

May cause loss of sight or skin problems.

If the fluid etc. put into your eyes or mouth, or contacts skin or clothes, immediately flush the contacted area with clean water.

If the fluid etc. put into the eyes or mouth, immediately see a doctor after flushing.

If the DC adapter's fuse blows, replace it only with the specified fuse.

If the fuse not specified is used, this may cause fire, burns or electric shock. For the specified fuse, see the each instruction manual.

Wipe off any dust that accumulates on the power plug.

Failure to do so may cause fire, burns or electric shock.

When you connect the AC adapter to an outlet or cigarette lighter socket, firmly connect to the outlet.

Failure to do so may cause fire, burns, electric shock.

When you disconnect the power plug from the outlet or cigarette lighter socket, do not pull the adapter cord with excessive force. Instead, hold the adapter to disconnect.

Failure to do so may cause fire, burns, electric shock.

When you remove or insert the adapter from/to the terminal, do not pull the adapter cord with excessive force. Instead, remove or insert the adapter straight.

Failure to do so may cause fire, burns, injuries, electric shock.

Always remove the power plug from the outlet or cigarette lighter when not using the adapter for an extended period.

Failure to do so may cause fire, burns, injuries, electric shock.

Immediately remove the power plug from the outlet or cigarette lighter socket if water or other fluids (drinking water, perspiration, seawater, urine of pet animals, etc.) get into the adapter.

May cause fire, burns, electric shock.

Always remove the power plug from the cigarette lighter socket when cleaning the equipment.

May cause fire, burns, electric shock.

CAUTION

Do not touch the adapter for a long time while it is connected to the outlet or cigarette lighter socket.

May cause burns.



2. If this device generates harmful radio wave interference against in-plant radio stations for identification of mobile objects, change the using frequency promptly or stop using wireless LAN function, and contact "General Inquiries" on the last page of this manual, then consult about treatment for prevention of the interference (for example, installation of partitions etc.).
3. If this device generates harmful radio wave interference against in-plant radio stations for identification of mobile objects or amateur radio stations, or if any trouble, contact "General Inquiries" on the last page of this manual.

Cautions on using 5 GHz devices

Using wireless LAN built-into the terminal in 5.2/5.3 GHz outside is prohibited by the Radio Law.
Channel numbers and frequency bands available in Japan are as follows.

Our tests which are in accordance with the procurement standard of 14 provisions established by the USA Department of Defense (MIL-STD-810G) are implemented: waterproof (immersion, wind and rain), dustproof, shock resistant, vibration resistance, solar radiation resistance, dampproof, thermal durability (operation at high temperature, storage at high temperature, operation at low temperature, storage at low temperature), low pressure durability (storage at low pressure, operation at low pressure), and salt water durability. Performance of the terminal is confirmed at under the test environment, it does not guarantee the operation of actual use in every situation. Also, it does not guarantee the non-damage and trouble-free.

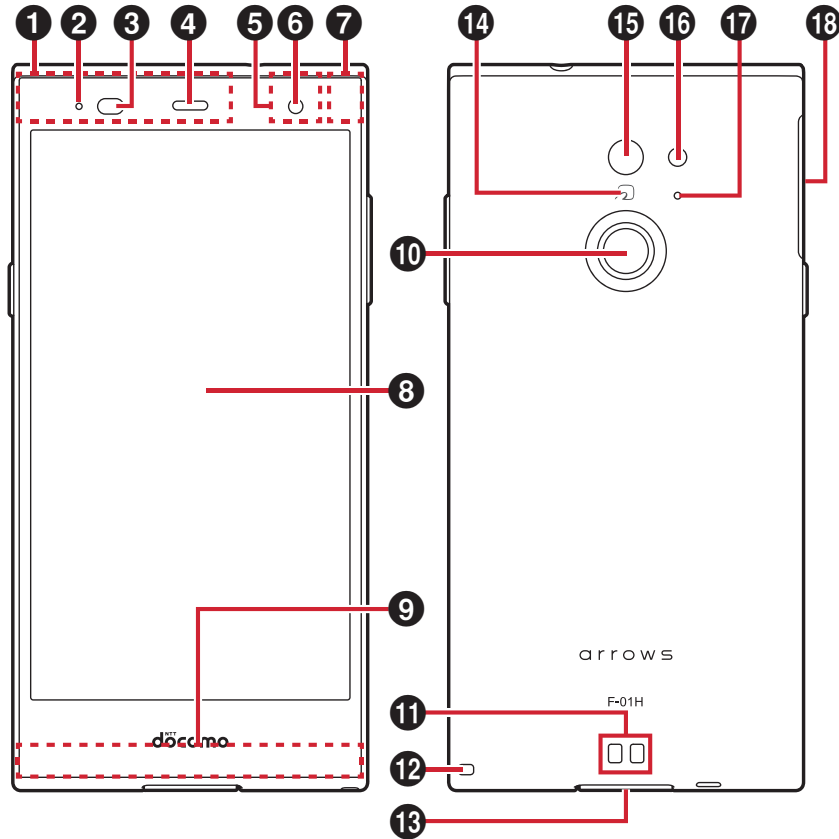
❖ **What you can do with waterproofness of M02**

c Swing the terminal about 10 times against a dry, clean cloth etc. to wipe off any water remaining in the stereo earphone jack, mouthpiece/microphone, earpiece/speaker, back side microphone, key, charging jack, etc.

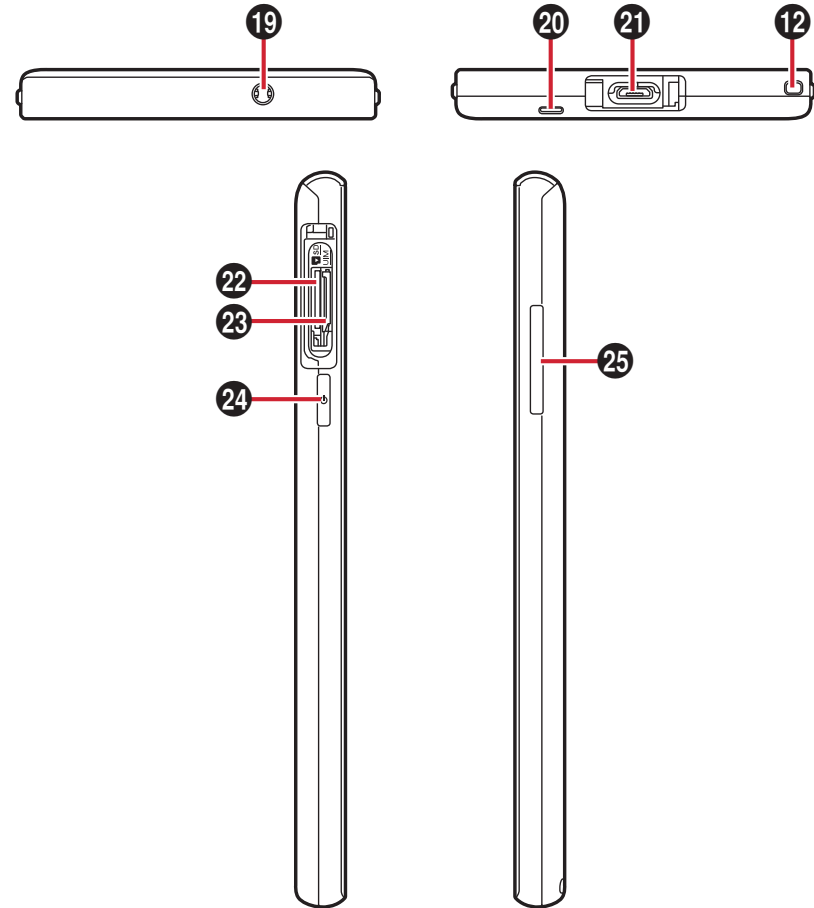
d Wipe off water drained from the terminal with dry, clean cloth etc., and dry naturally.

Before using the terminal

Part names and functions



The following illustration omits the external connection jack/slot cap.



a **Xi antenna section** *1

b **Indicator LED**

c **Proximity sensor/RGB sensor** *2

Proximity sensor detects approach of your face, prevents erroneous operation of the touch panel. RGB sensor senses ambient light and brightness and automatically adjusts the display backlight.

d **Earpiece/Speaker**

e **GPS antenna section** *1

- f **In-camera**
- g **Bluetooth/Wi-Fi antenna section** *1
- h **Display (Touch panel)**
- i **Xi/FOMA antenna** *1
- j **Fingerprint sensor**
Set the fingerprint operation or unlocking screen locks, power on/off and set/cancel sleep mode.
- k **Charging jack**
- l **Strap hole**
- m **External connection jack/slot cap** *3
- n **mark**
- o **Out-camera**
- p **Flash/Light**
- q **Back side microphone**
Use for reducing noise during a call. Do not cover it.
- r **Slot cap** *3
- s **Stereo earphone jack (waterproof)**
- t **Microphone**
- u **External connection jack**
Use for charging, PC connection, etc.
- v **microSD card slot**
- w **docomo nano UIM card slot**
- x **Power key P**
Power on/off and set/cancel sleep mode.
- y **Volume key**
Adjust sound volume, or set/cancel Manner mode by pressing and holding volume down key for 1 second or more.

- *1 It is built-in the terminal. Covering around the antenna by the hand may affect the quality.
- *2 Putting a protective sheet or sticker on the sensor or covering the sensor with fingers may cause erroneous operation or incorrect sensing result.
- *3 Close the caps firmly to prevent water or dust from entering the terminal.

A docomo nano UIM card is an IC card that stores user information, such as the users phone number.

✓ **INFORMATION** -----

❖ Internal battery life

c Insert the AC adapter power plug into an outlet

- b **With the side engraved with "B" facing up, insert the microUSB plug of the AC adapter horizontally into the external connection jack**
- c **Insert the AC adapter's power plug into an outlet**



❖ Pinch

Touch the screen with two fingers and widen (pinch-out) or narrow (pinch-in) the fingers distance.

❖ Flick

Touch the screen and sweep the finger quickly.

Enter characters using software keyboard displayed on the screen.

Handwritten input : Set Overwrite handwritten input (Numeric keypad, QWERTY keypad), Number of input boxes or Number of input boxes(Full screen) (Vertical screen/Horizontal screen), Recognition speed (Auto confirm ON/Recognition speed), Set lines (Thickness and Color for NORMAL HANDWRITING/FULL SCREEN HANDWRITING).

Conversion setting : Set keyboard selection type for Hiragana/Alphabet/Numeric, Available keyboard, Select referred application of MENU flick, Input prediction, Showing prediction candidates before next input, Learning function, Use half-width space, Auto space insert, Character delete key, Function key flick guide, Back key, Auto full screen (horizontal), Hardware keyboard preferentially, Multi-touch.

3 [GO NEXT]

✓ **INFORMATION**



- : Software update
- : Save an image by screenshot
- : Immediately after you reoriented the screen using the Shake to unrotate function, you shook the terminal twice to restore the original orientation
- : Location providing is ON
- : Omakase Lock is set
- : Available memory on the terminal is low
- : Check for application battery (Detect applications that consumes battery power)
- : Touch and sleep is set
- : Error/alert message
- : docomo ID settings authentication failure
- : Some notifications are not displayed

❖ Opening the Notification panel

1 Flick the status bar downward

a **Status bar**

b **Panel switch**

Tap the panel switch to switch settings.

❖ Capture & Draw

Capture displayed screen to edit as an image or share with other application.



Set the screen not to react by touch operation.

1 Press and hold **P** until the phone options menu appears

2 [Child proof]

docomo LIVE UX

On the Home screen, you can add widgets or activate applications. Flick left or right to switch pages on the Home screen.

- a **Widget**
Activate widget (Google Search).
- b **Machi-Chara**
Display information such as incoming call and mail reception.
- c **Applications**
Activate applications.
- d **Indicator**
Indicates the page number of home screens and which screen you are in.

- e **Dock**
Displayed even if the home screen page is changed.
Apps button : Display the application list screen.



b Apps/Widgets/Wallpapers (displayed respectively)

LAWSON : The official application of LAWSON. You can display digital membership using your mobile phone as a member's card, search shops, and find valuable exchange coupons.

Messenger : A chat application that allows users to send messages and stamps to friends on Facebook and the mobile phone.

My Tracker : You can record and check the daily steps, activity amount, etc.

Play Games : Discover new games, manage record or score, and enjoy multi-play with people in the world easily.

Play Store : Use Google Play.

docomo backup : An application for backing up to/restoring from "Data Storage BOX" or "microSD card".



My Magazine is a search service for displaying articles for categories you selected. It helps to set search words based on your tendency of articles to read or profile information to bring them closer to your preference. You can also configure My Magazine so that it can be customized using notifications, location information, docomo service contract information, etc.

Calling

- 1** From the Home screen,
- 2** [Dial]

59

Calling

60

Calling



- e **Show/hide the dial keypad**
Send touch-tone signals (DTMF tones).

You can check call history.

- 1** From the Home screen,
- 2** [Recent calls]

- a **All tab**
Display all incoming and outgoing calls.
- b **Name or phone number**
Tap to make a voice call, send SMS, make a video call, add to phonebook, display the profile screen, etc.
Touch and hold to edit phone number and call or to delete from the history.
- c **Incoming tab**
Display received call history only.
- d **Outgoing tab**
Display dialed call history only.
- e **Voice call button**
Make a voice call.

- f **History**
Display "Outgoing call"/"Incoming call"/"Missed call".

Set phone memo or play/delete recorded phone memos.

Vibrate on ring : Set whether to vibrate while ringtone is sounding.

You can register phone numbers, email addresses, etc. to the phonebook. You can contact registered parties through simple operation.



e **Outgoing button**
Make a call.

✓INFORMATION -----

Mail/Browser

Send/receive mails using DOCOMO mail address (@docomo.ne.jp).

Sent/received mails are saved in docomo mail server. You can transfer mail data easily when the terminal is lost or you change the model. Additionally, with docomo ID (d account), you can send, receive and read mail on multiple devices such as a tablet and PC browser using the same mail address. For details on docomo mail, refer to NTT DOCOMO website.

1 From the Home screen,

From here on, follow the onscreen instructions.

You can send and receive text messages with a mobile phone number as the destination.

* For details on a number of characters that you can send/receive etc, refer to "Short Message Service (SMS)" on the NTT DOCOMO website.



70

Set the SMSC number : Set the message center number.



Confirm before deleting : Display confirmation screen before deleting.

Confirm before sending : Display confirmation screen before sending.

❖ **Setting Email account**

Area Mail is a service that you can receive Earthquake Early Warning and Tsunami Warning provided by the Meteorological Agency, and Disaster/Evacuation information provided by the nation or local public body without being affected by the line congestion.

**You can view web pages like on a PC using Browser.
On the terminal, Browser can be used over a packet
communication or Wi-Fi connection.**

Applications

In dmenu, you can easily access sites recommended by DOCOMO or convenient applications.

1 From the Home screen, [d



You can use Osaifu-Keitai service which allows you to pay money or to use coupon only by holding the terminal over the IC card reader in stores etc. and "

3 [Lock NFC/Osaifu-Keitai]

Copyrights and portrait rights

Avoid reproducing, altering, or editing taken or recorded pictures or sounds using the terminal without the copyright holders authorization, because, except for personal use etc., they are prohibited by the Copyright law. Avoid using or altering pictures of others without their consent, because they may infringe on portrait rights.

Note that taking photos or recordings at some demonstrations, performances or exhibitions may be prohibited even when only for personal use.

Please be considerate of the privacy of individuals around you when taking and sending photos using camera-equipped mobile phones.

If you cause the public any trouble using the terminal, you may be punished under law or regulations (for example, nuisance prevention ordinance).

f Still images/videos that was taken immediately before

Playing taken videos : Flick left









You can manage your schedule.

1 From the Home screen, [

1 From the Home screen,

❖ Phonebook account copy

Copy phonebook data stored on a Google account to docomo account.

1 From the Home screen,

❖ Restoring

Restore music files, bookmarks, and other data backed up in the Data Storage BOX to the terminal.

1 From the Home screen,

Settings

You can make various settings in the menu displayed from the Home screen, tap

Touch sounds : Set whether to sound when selecting menu.

Dial pad touch tones : Set whether to sound when operating the dial pad.

Side key tones : Set whether to have the terminal make a sound when pressing the volume key.

Screen locking sounds : Set whether to sound when setting and canceling screen lock.



2 Set required items

Wallpaper : Setting steps

1 From the Home screen,







3 Set required items

Passpoint : Set whether to automatically connect the available Passport access point when Wi-Fi is ON.

2 [

❖ Disconnecting VPN

- 1** Open the Notification panel
- 2** Select a notification of VPN connecting

❖ Easy settings for Wi-Fi tethering

Register Wi-Fi device supporting AOSS™ or WPS.

Set up about lock.

1 From the Home screen,



120

Settings

❖ Registering fingerprint

Register your fingerprint for authentication.



❖ Precautions when using Privacy mode

❖ Privacy mode operation settings (Action when call received)

Set actions for incoming call or mail.

2 [Activate/Deactivate options]

❖ Changing PIN code

Set the PIN code (mark [Lock SIM card]) in advance.

1 From the Home screen,



128

Settings



Set up the location information, Osaifu-Keitai, etc.

1 From the Home screen,



You can register or edit your own information.

1 From the Home screen,

❖ Disabling applications

Factory data reset : Setting steps

Select time zone : Set time zone manually.

Use 24-hour format : Set whether to use 24-hour format.

File management

Folders in the internal storage and data saved in each folder by default are as follows.

You can manage data saved in the internal storage and microSD card (rename/delete/copy/move etc. folders and files).

- 1** From the Home screen, [KSfilemanager]
- 2** Touch and hold a folder/file

Data communication

1 From the Home screen,

NFC is an abbreviation for Near Field Communication and a short range wireless communication method of international standard defined by ISO (International Organization for Standardization). You can use a contactless IC card function, Reader/Writer function, P2P function, etc. You can send/receive data to/from another NFC compatible device using NFC function.

External device connection



International roaming

With the international roaming (WORLD WING), you can use the terminal without changing phone number or mail address in the service area of the overseas network operator affiliated with DOCOMO. You can use Phone and SMS without changing settings.

❖ **Setting Network operators**

By default, the terminal is set to automatically search and switch to an available network. To switch network manually, perform the following operations.

1 From the Home screen,

150

International roaming



Appendix/Index

5 Remote support starts when you are connected

Reset the terminal to the default state. All installed applications and saved data to the terminal, for the most part, however, are deleted.



Display	Type	Organic electroluminescence
	Size	Approx. 5.0 inch
	Number of colors	16777216 colors
	Resolution	720 (H)×1280 (V) pixels (HD)
Image pickup device	Type	Out-camera : Backside-illumination CMOS In-camera : Back-illuminated CMOS
	Size	Out-camera : 1/4.0 inch In-camera : 1/6.9 inch
Number of effective pixels		Out-camera : Approx. 8.1 million pixels In-camera : Approx. 2.4 million pixels
Number of recording pixels (Max.)		Out-camera : Approx. 8.0 million pixels In-camera : Approx. 2.1 million pixels
Digital zoom	Still image	Out-camera : Up to approx. 6.0 x (80 levels)
	Videos	Out-camera : Up to approx. 6.0 x (80 levels)

Still picture recording size

Out-camera :
8M maximum pixels
3264×2448
6M wide 3264×1840
SNS 2048×1536
FullHD 1920×1080
Mobile email 640×480
In-camera:
2M maximum pixels
1920×1080
1.7M 1520×1152
Mobile email 640×480

Video recording size

Out-camera :
FullHD 1920×1080
Fit screen 1280×720
Mobile email 640×480
In-camera:
FullHD 1920×1080
Fit screen 1280×720
Mobile email 640×480

Wireless LAN

IEEE802.11a/b/g/n compatible^{*5}

Bluetooth

Version

4.1^{*6}

Output

power class 1

Supported profile^{*7}

HFP, HSP, DUN, OPP, SPP, HID, A2DP, AVRCP, PBAP, PAN^{*8}, HDP, ANP, FMP, PASP, PXP, TIP, HOGP

Earphone/microphone jack

- *1 Continuous stand-by time indicates the estimated stand-by time when radio signal reception is normal. Stationary continuous stand-by time indicates the estimated average operation time when radio signal reception is normal.
Due to internal battery charging condition, function settings, operating environment such as ambient temperature, radio wave conditions in the area of use (the radio waves are weak or absent), etc. stand-by time may be reduced to about half.
- *2 Activating applications also reduces call (communication)/stand-by time even if you do not call or use the Internet.
- *3 Continuous call time indicates the estimated time that the phone can send or receive radio waves normally.
- *4 Charging time indicates the estimated time for firstly charging an empty internal battery with the terminal turned OFF for approximately 10 minutes, and then charging with the terminal turned ON. When the temperature is high or low, it takes a long time for charging.
- *5 2.4 GHz/5 GHz are supported for IEEE 802.11n.
- *6 It is confirmed that the terminal and all Bluetooth devices are compliant with Bluetooth standards designated by Bluetooth SIG, and they are authenticated. However, procedures may differ or data transfer may not be possible depending on the device's characteristics or specifications.
- *7 These are created by standardizing connection procedures for Bluetooth communications according to individual product properties.
- *8 The terminal supports PAN-NAP and PANU.

❖ Available files for the terminal

You can create, view and edit (save) the following files using the "WPS Office" application in the terminal.

Type/Extension	Create	View	Edit (Save)
Document file (Writer)	.wps	×	

- *1 You can save selected format from either .doc/.docx/.pdf/.txt.
- *2 You can save selected format from any of .et/.xls/.xlsx/.csv/.pdf.
- *3 Macro program operation is not supported.
- *4 Converted to .pptx when saved.
- *5 Output is available from the print screen of Writer/Spreadsheets.
- *6 Output is available from the save screen of Writer/print screen of Spreadsheet.

Specific Absorption Rate (SAR) of Mobile Phones

This model M02 mobile phone complies with Japanese technical regulations and international guidelines regarding exposure to radio waves.

This mobile phone was designed in observance of Japanese technical regulations regarding exposure to radio waves^{*1} and limits to exposure to radio waves recommended by a set of equivalent international guidelines. This set of international guidelines was set out by the International Commission on Non-Ionizing Radiation Protection (ICNIRP), which is in collaboration with the World Health Organization (WHO), and the permissible limits include a substantial safety margin designed to assure the safety of all persons, regardless of age and health condition.

The technical regulations and international guidelines set out limits for radio waves as the Specific Absorption Rate, or SAR, which is the value of absorbed energy in any 10 grams of tissue over a 6-minute period. The SAR limit for mobile phones is 2.0 W/kg. The highest SAR value for this mobile phone when tested for use at the ear is 0.563 W/kg^{*2} and when worn on the body is 0.383 W/kg^{*3}. There may be slight differences between the SAR levels for each product, but they all satisfy the limit. The actual SAR of this mobile phone while operating can be well below that indicated above. This is due to automatic changes to the power level of the device to ensure it only uses the minimum required to reach the network. Therefore in general, the closer you are to a base station, the lower the power output of the device.

This mobile phone can be used in positions other than against your ear. Please keep the mobile phone farther than 1.5 cm away from your body by using such as a carrying case or a wearable accessory without including any metals. This mobile phone satisfies the technical regulations and international guidelines.

The World Health Organization has stated that "a large number of studies have been performed over the last two decades to assess whether mobile phones pose a potential health risk. To date, no adverse health effects have been established as being caused by mobile phone use."

Please refer to the WHO website if you would like more detailed information.

http://www.who.int/docstore/peh-emf/publications/facts_press/fact_english.htm

Please refer to the websites listed below if you would like more detailed information regarding SAR.

Ministry of Internal Affairs and Communications Website:

<http://www.tele.soumu.go.jp/e/sys/ele/index.htm>

Association of Radio Industries and Businesses Website:

<http://www.arib-emf.org/01denpa/denpa02-02.html> (in Japanese only)

NTT DOCOMO, INC. Website:

<https://www.nttdocomo.co.jp/english/product/sar/>

FUJITSU LIMITED Website:

<http://www.fmworld.net/product/phone/sar/> (in Japanese only)

*1 Technical regulations are defined by the Ministerial Ordinance Related to Radio Law (Article 14-2 of Radio Equipment Regulations).

- *2 In regards to methods of measuring SAR when using mobile phones having multiple wireless devices to be able to function simultaneously at the ear, in July of 2015, a portion of advisory 118 was reported on based upon the Information and Communications Council. SAR value when evaluated based on the report is also under the SAR limit.
 - *3 Including other radio systems that can be simultaneously used with Xi/FOMA.
-



- Consult the dealer or an experienced radio/TV technician for

This product and its accessories may be under coverage of the Export Administration Regulations of Japan ("Foreign Exchange and Foreign Trade Control Laws" and the related laws and regulations). And, they may be also under coverage of Export Administration Regulations of the U.S. When exporting and reexporting this product and its accessories, take necessary procedures on your responsibility and expense. For details, contact Ministry of Economy, Trade and Industry of Japan or US Department of Commerce.



White balance	86
Automatic video recording	89
Adjust flicker	89
Auto focus	89
White balance	89
Automatically lock	116
Auto-rotate screen	105
B	
Back side microphone	27
Backup & reset	134
Automatic restore	134
Back up my data	134
Backup account.....	134
Factory data reset.....	160
Battery	107
Battery life	30
Charging.....	29
Battery saver	107
Battery usage	107
Best view adjust	105
Blue light cut mode	105
Bluetooth antenna section	27
Bluetooth communication	140
Canceling connection	142
Connecting	141
Function ON/OFF	140
Pair setting	141
Renaming	142
Sending/Receiving data	141
Unpairing	142
Bluetooth Low Energy	142
Alert Notification	142
Alert Notification Detail Setting	142

Find Me Ringtone.....	142
Proximity.....	142
Time	142
Bluetooth tethering	115
Bookmarks	76
Deleting.....	76
Editing	76
Registering.....	76
Brightness	105
Automatic brightness.....	105
Super clear mode.....	105
Browser	75
Accessibility	77
Advanced	77
Bandwidth management	77
Bookmark.....	76
Displaying	75
General.....	77
Highlight & Copy	77
History	76
Incognito tab.....	75
Labs	77
Link operation.....	76
Opening new browser window.....	75
Print	77
Privacy & security	77
Save image	77
Screen operation	75
Settings	77

C	
Calculator	98
Call forwarding service	64
Call mode setting	65

Call notification	64	Alarm.....	97
Call waiting	64	Stopwatch.....	97
Caller ID display request service	64	Timer	97
Camera	83	World clock.....	96
Automatic still image shooting	86	Customize screen	48
Automatic video recording	89		
Cautions on shooting	83	D	
Continuous shooting.....	85	Data communication/Airplane mode	112
Panorama shooting.....	86	Data enabled	112
Shooting settings for still image	87	Data roaming	148
Shooting settings for video	89	Data usage	112
Still image shooting	85	Date	135
Video shooting.....	88	Date & time	135
Capture & Draw	47	Automatic date & time.....	135
Change password	116	Automatic time zone.....	135
Change Security code	116	Select time zone	136
Change unlock pattern	116	Set date.....	135
Character entry	35	Set time.....	135
Common phrase utility	39	Use 24-hour format.....	136
Dictionary utility	39	Daydream	107
Editing text.....	39	Decline call	60
Keyboard.....	35	Default SMS app	130
Setting	38	Device administrators	116
Voice input	36	Device management	133
Charging	29	Dial pad touch tones	103
AC adapter	31	Display	27
Charging adapter.....	30	Switching the portrait/landscape view.....	34
Desktop holder.....	30	Display & Wallpaper	104
PC.....	32	dmarket	78
Precautions	29	dmenu	78
Charging jack	27	docomo backup	99
Child proof	49	Backing up to/Restoring from microSD card	99
Clearing credentials	122	Backup/restore to docomo cloud.....	100
Clock	96	Phonebook account copy	100

docomo LIVE UX	50	Email	71
docomo mail	69	Account settings.....	73
docomo nano UIM card	27	Backup.....	73
Installing.....	28	Creating.....	71
Removing	28	Deleting.....	72
Security code	29, 117	Displaying	72
docomo nano UIM card slot	27	Forwarding	72
docomo service/cloud	132	General settings	72
AUTO-GPS	132	Mail account settings.....	71
docomo apps management.....	132	Receiving	72
docomo apps password.....	132	Reply all	72
docomo cloud	132	Replying	72
docomo ID settings	132	Restore	73
docomo location information.....	132	Sending.....	71
docomo service initial settings.....	132	Settings	72
Open source licenses	132	Emergency mode	34
Osusume App	132	Encrypt phone	128
Profile setting.....	132	Encrypt SD card	128
Remote Initialization Service	132	Encryption settings	128
Send device error information	132	English	129
Switch USB debugging.....	132	English guidance	64
Double-tap	33	Error messages	158
Drag	33	Export Administration Regulations	173
Draining water	24	External connection jack	27
E		External device connection	144
Early warning "Area Mail"	74	Connecting with a PC.....	144
Earphone Launcher	130	Connecting with a printer using cloud print	144
Earpiece	26	Connecting with a Wi-Fi printer	145
Easy data transfer support	41	Displaying on Wi-Fi Miracast device	146
Easy settings for Wi-Fi tethering	115	External storage	137
AOSS system	115	F	
WPS system	115	Factory reset	160
Editing text	39	FAQ	153

K

Kazashite-Link compatible service	80, 81
Keep lit when held	106
Key misoperation support	136
Keyboard	35
External keyboard.....	40
Handwritten input.....	35
Numeric keypad.....	35
QWERTY keypad.....	35

L

Language/Text/Input	128
Launcher setting	130
Light	27
Location data/GPS	93
Settings	95
Lock screen	46
Screen wallpaper	105
Lock & Security	116

M

Mail	69, 71, 73
Make passwords visible	116
Make pattern visible	116
Manner mode	104
Manner mode	104
Manner mode (Alarm).....	104
Manner mode (Silent)	104
Original manner.....	104
Maps	95
Material	13
Media Player	91
Play list	93

Playing music/video	92
Purchasing from dmarket.....	93
Messaging	69
Microphone	27
microSD card	137
Connected as a camera (PTP).....	144
Connected as a media device (MTP)	144
Erasing data	134
Format	134
Installing	138
Operation from a PC	144
Removing.....	138
microSD card slot	27
microSD password	118
Miracast	146
Missed call LED	103
Multi-connection	110
My Magazine	57
My physical profile	133
My profile	68

N

Navigation bar	42
Network Mode	149
Network operators	149
Network security code	117
Network service	64
NFC communication	143
NFC/Osaifu-Keitai Lock	82
Canceling	82
Notification icon	43
Notification LED	103
Notification panel	44
Panel switch.....	45

Notification sound	102	Phone memo list	64
Notifying caller ID	58, 64	Recording.....	60
Nuisance call blocking service	64	Settings	64
Numeric keypad	35, 37	Phone ringtone	102
Flick input	37	Phonebook	66
Gesture input	37	Deleting	67
Numeric keypad input.....	37	Editing	67
2-touch input.....	38	Exporting	68
		Favorites	67
O		Importing	68
Open source software	175	Index.....	66
Osaifu-Keitai	80	My profile.....	68
Lock Setting	81	Phonebook list.....	66
Precautions on using.....	80	Profile screen.....	67
Osaifu-Keitai service	80	Registering group	67
Out-camera	27	Registration	66
Owner info	116	Search	66
		Using Group	67
P		Picture correction	105
Pan	33	PIN code	117
Password manager	121	Changing.....	127
Pedometer	131	Input	127
Phone	58	Setting.....	126
Add wait	58	Pinch	34
Add 2-sec pause	58	Play Store	78
Call settings.....	64	Deleting application	79
Call volume	61	Installing application.....	79
Caller ID notification	58, 64	Playing video	91
Emergency call	59	Pointer speed	128
Making a call	58	Power button instantly locks	116
Receiving a call	60	Power key	27
Select prefix	58	Pre-installed applications	53
Phone memo	64	Print	144
ON/OFF	64	Privacy mode	123

Action for app notifications	125
Action when call received	125
Action when mail received	125
Activate/Deactivate options	125
Activating	126
Browser	125
Browser setting	125
Deactivating	126
Dictionary for predictive text input	125
Home	125
Home setting	125
Phonebook setting	124
Phonebook/History	124
Picture	125
Picture setting	125
Precautions	124
Privacy mode settings	124
Receive indicator	125
Profile	133
Proximity sensor	26
Public mode (power OFF) settings	64
PUK code	118
Q	
QR code reader	90
Reading	90
QWERTY keypad	35
R	
Recent calls	63
Recommended applications	56
Reject SMS	65
Rejecting calls with SMS	60
Remote operation settings	64, 152

Reset	160
Reverb suppression	65
RGB sensor	26
Roaming settings	151
Network service (overseas)	152
S	
SAR	169
Schedule	96
Displaying	96
Registering	96
Screen lock	
Lock	118
Locking	45
Security unlock preference	118
Unlock	46
Screen lock sound	103
Screen timeout	106
Screenshot	34
SD card and storage area	134
Mount SD card	134
Total space	134
Unmount SD card	134
SD card password settings	123
Authenticate password	123
Change password	123
Delete password	123
Forcibly delete password	123
Registering password	123
Search	98
Google Search	98
Voice Search	98
Second call settings	64
Security unlock preference	118

Fingerprint.....	118	Slide-in launcher	46
Password.....	118	Slot cap	27
Pattern	118	Smart Lock	121
Security code	118	SMS	69
Touch/Swipe	118	Creating.....	69
Set up SIM/RUIM card lock	126	Deleting.....	70
Setting menu	102	Displaying	70
Shake to unrotate	105	Forwarding	70
Shooting settings for still image	87	Receiving	69
Camera Mode	87	Replying	70
Display grid	88	Sending.....	69
Flash	87	Setting.....	70
HDR mode	87	Software Update	162
Location.....	88	Sound at start charging	102
Picture Size.....	87	Sound/Vibration/LED	102
Save	88	Speaker	26
SelfTimer.....	87	Specifications	165
Switch camera	87	Spell checker	128
Touch shutter.....	88	Status bar	43
Shooting settings for video	89	Status icon	44
Camera Mode	89	Stereo earphone jack	27
Light.....	89	Still image shooting screen	84
Movie Size.....	89	Stopping packet connection	112
Saving location	89	Storage	137
Switch camera	89	Storage type	122
Side key tones	103	Strap hole	27
SIM unlock	175	Super ATOK ULTIAS Settings	38
Sleep	106	Initialize	39
Sleep mode	45	Operation sound/Vibrate	38
Slide	33	Super ATOK ULTIAS settings	
Slide display	43, 131	Conversion setting	39
Slide spot	46	Design	39
Slide to activate camera	116	Handwritten input	39
Slide-in function	46, 130	Numeric keypad	38

QWERTY keypad.....	38	USB tethering	114
Set selection list.....	39	Useful tools	130
ULTIAS Feature select.....	38	Using overseas	147
Utility	39	After returning to Japan	152
Swipe	33	Checking	147
Switching input method	38	Communication services	147
T		Making a call in the country you stay.....	150
Tap	33	Receiving a call in the country you stay.....	150
Task manager	48	Settings.....	148
Tethering	114	V	
Bluetooth tethering	115	Vibrate on touch	102
Easy settings	115	Vibrate when ringing	102
USB tethering	114	Video call	
Wi-Fi tethering	114	Making a call.....	58
Text-to-speech output	128, 136	Receiving a call.....	60
Time	135	Video correction	105
ToruCa	82	Video shooting screen	84
Touch and hold	33	Viewing still image	91
Touch panel	27	Virtual Private Network	113
Notes	33	Voice adjusting	61
Using	33	Voice input	36
Touch sounds	103	Voice Search	98
Touch-tone signals	62	Setting.....	129
Trademarks	173	Voicemail service	64
Troubleshooting	153	Volume key	27
Trusted credentials	122	Volumes	103
Turn off sound when flipped	102	VPN	113
Turning power off	32	Adding.....	113
Turning power on	32	Connecting.....	113
U		Disconnecting.....	114
Unknown sources	126	W	
Unlocking PIN lock	127	Warranty	160

Waterproofness/Dustproofness, shock resistance	20
Wi-Fi	107
Adding	109
Advanced settings	111
Connecting	108
Deleting	109
Easy Settings	109
Scanning	108
Wi-Fi Auto ON/OFF	110
Wi-Fi antenna section	27
Wi-Fi Direct	110
Wi-Fi Easy Settings	109
AOSS system	109
WPS system	109
Wi-Fi sleep policy	111
Wi-Fi tethering	114
WORLD CALL	60
WORLD WING	147

X

Xi antenna section	26, 27
---------------------------------	--------

Use mobile phone with your manners!

Remember to be courteous to others when you use your terminal.

Functions designed for public use

Your terminal has a number of useful functions designed for public use, such as a setting that instructs your terminal not to answer incoming calls and the ability to set the terminal for silent operation.

Online Procedures, Confirmation of Subscription, etc.

General Inquiries
<docomo Information Center>

 **0120-005-250 (toll free)**

* Service available in: English, Portuguese, Chinese, Spanish

* Unavailable from part of IP phones.

(Business hours : 9:00 a.m. to 8:00 p.m.)

* Unavailable from part of IP phones.

(Business hours : 9:00 a.m. to 8:00 p.m. (open all year round))

