

FURUNO

OPERATOR'S MANUAL

MARINE RADAR

MODEL MODEL 1715



FURUNO ELECTRIC CO., LTD.
NISHINOMIYA, JAPAN

© **FURUNO ELECTRIC CO., LTD.**

9-52 Ashihara-cho,
Nishinomiya, Japan

Telephone : 0798-65-2111

Telefax : 0798-65-4200

Your Local Agent/Dealer

All rights reserved.

Printed in Japan

FIRST EDITION :

PUB.No. OME-35140

MODEL1715



* 0 0 0 1 4 7 9 1 1 0 0 *



* O M E 3 5 1 4 0 Z 0 0 *

TABLE OF CONTENTS

SAFETY INSTRUCTIONS.....	ii	2. MAINTENANCE, TROUBLESHOOTING.....	18
FOREWORD.....	iii	2.1 Maintenance	18
SYSTEM CONFIGURATION.....	iv	2.2 Replacing the Fuse.....	19
EQUIPMENT LISTS	v	2.3 Troubleshooting	19
1. OPERATION	1	2.4 Diagnostics	20
1.1 Controls	1	2.5 Test Pattern.....	21
1.2 Indications	2	2.6 Clearing the Memory	21
1.3 Turning Power On/Off	3	2.7 Replacing the Magnetron	21
1.4 Transmitting, Standby.....	3	2.8 Replacing the Synchro Belt	21
1.5 Adjusting Display Contrast, Brilliance	4	3. INSTALLATION.....	22
1.6 Choosing the Range	4	3.1 Antenna Unit Installation.....	22
1.7 Receiver Sensitivity.....	4	3.2 Display Unit Installation	25
1.8 Suppressing Sea Clutter	5	3.3 Wiring.....	25
1.9 Suppressing Rain Clutter	6	3.4 Adjustments	26
1.10 Measuring the Range.....	6	3.5 Magnetron Heater Voltage.....	29
1.11 Measuring the Bearing	7	MENU TREE.....	30
1.12 Shifting the Display	7	SPECIFICATIONS	SP-1
1.13 Zoom	8	PACKING LIST	
1.14 User Menu Overview.....	8	OUTLINE DRAWINGS	
1.15 Heading Line	9	INTERCONNECTION DIAGRAM	
1.16 Interference Rejector.....	9	SCHEMATIC DIAGRAMS	
1.17 Noise Rejector.....	10		
1.18 Echo Trail, Trail Brilliance.....	10		
1.19 Echo Stretch	10		
1.20 Guard Alarm	11		
1.21 Watchman	12		
1.22 Suppressing Long-range Rain Clutter..	12		
1.23 Panel Backlighting.....	12		
1.24 Hue	13		
1.25 Resetting Distance Run	13		
1.26 PROG Key.....	13		
1.27 Outputting Target Position to a Plotter .	13		
1.28 Turning Navigation Data On/Off.....	14		
1.29 Setting up Nav Data Displays	14		
1.30 System Menu	16		




SAFETY INSTRUCTIONS


Safety Instructions for the Operator

⚠ WARNING

ELECTRICAL SHOCK HAZARD
Do not open the equipment.

 Only qualified personnel should work inside the equipment.

Wear a safety belt and hard hat when working on the antenna unit.

 Serious injury or death can result if someone falls from the radar antenna mast.

Do not disassemble or modify the equipment.

Fire, electrical shock or serious injury can result.

Turn off the power immediately if water leaks into the equipment or the equipment is emitting smoke or fire.

Continued use of the equipment can cause fire or electrical shock.

⚠ CAUTION

Use the proper fuse.

Use of a wrong fuse can damage the equipment and void the warranty.

WARNING LABEL

A warning label is attached to the equipment. Do not remove the label. If the label is missing or damaged, contact a FURUNO agent or dealer about replacement.

⚠ WARNING ⚠
To avoid electrical shock, do not remove cover. No user-serviceable parts inside.
⚠ ⚠

Name: Warning Label (1)
Type: 86-003-1011-1
Code No.: 100-236-231

Safety Instructions for the Installer

⚠ WARNING

ELECTRICAL SHOCK HAZARD
Do not open the equipment unless totally familiar with electrical circuits and service manual.

 Only qualified personnel should work inside the equipment.

Wear a safety belt and hard hat when working on the antenna unit.

 Serious injury or death can result if someone falls from the radar antenna mast.

Construct a suitable service platform from which to install the antenna unit.

Serious injury or death can result if someone falls from the radar antenna mast.

Be sure that the power supply is compatible with the voltage rating of the equipment.

Connection of an incorrect power supply can cause fire or damage the equipment.

Use only the specified power cable.

Fire or damage to the equipment can result if a different cable is used.

⚠ CAUTION

Observe the following compass safe distances to prevent interference to a magnetic compass:

	Standard compass	Steering compass
Display unit	0.60 m	0.40 m
Antenna unit	1.25 m	0.85 m

FOREWORD

A Word to the Owner of the MODEL 1715

Congratulations on your choice of the FURUNO MODEL 1715 Marine Radar.

For over 50 years FURUNO Electric Company has enjoyed an enviable reputation for innovative and dependable marine electronics equipment. This dedication to excellence is furthered by our extensive global network of agents and dealers.

Your radar is designed and constructed to meet the rigorous demands of the marine environment. However, no machine can perform its intended function unless installed, operated and maintained properly. Please carefully read and follow the recommended procedures for installation, operation, and maintenance.

We would appreciate hearing from you, the end-user, about whether we are achieving our purposes.

Thank you for considering and purchasing FURUNO equipment.

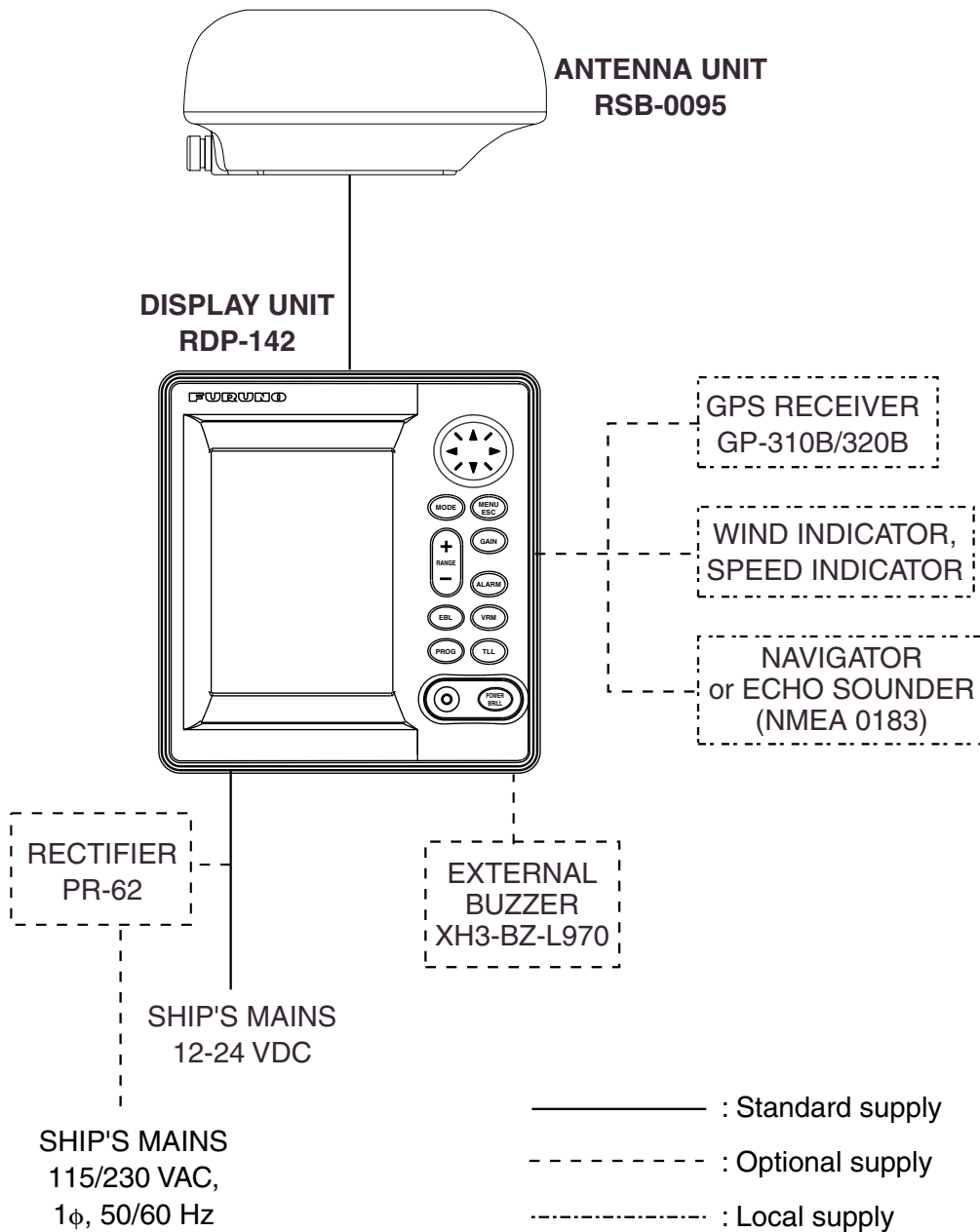
Features

Your radar has a large variety of functions, all contained in a rugged plastic case. All controls respond immediately to the operator's command and each time a key is pressed the corresponding change can be seen on the screen.

The main features of the MODEL 1715 are

- Daylight viewing radar specially designed for small craft and sailing yachts.
- Traditional FURUNO reliability and quality in a compact, light-weight and low-cost radar.
- Compact and light-weight radome antenna with precision 45 cm center-fed radiator.
- High definition 7-inch monochrome LCD display.
- Automatic control of sensitivity (gain), tuning and A/C SEA for simplified operation.
- Targets can be displayed in grey tones on a white background or vice versa, for optimal viewing under any lighting conditions.
- On-screen alphanumeric readout of all operational information.
- User programmable nav data displays.
- [PROG] key acts as a menu shortcut key.
- [TLL] key outputs chosen target's L/L position to a plotter.
- Standard features include Display Shift, EBL, Echo Stretch, Echo Trail, Guard Alarm, Interference Rejector, VRM, Zoom.
- Guard zone watches for targets entering (or exiting) a guard zone.
- Operates on 12 or 24 V DC power.

SYSTEM CONFIGURATION



EQUIPMENT LISTS

Standard supply

Name	Type	Code No.	Qty	Remarks
Antenna Unit	RSB-0095	—	1	
Display Unit	RDP-142	—	1	
Installation Materials*	CP03-25301	008-442-280	1 set	For antenna unit, including EMI core
	CP03-24910	000-080-231	1 set	Antenna cable (10 m)
	CP03-24920	000-080-232		Antenna cable (15 m)
	CP03-24930	000-080-233	Antenna cable (20 m)	
	CP03-25101	008-441-250	1 set	For display unit, including tapping screws for mounting hanger
Spare Parts*	SP03-09800	000-085-441	1 set	Fuse

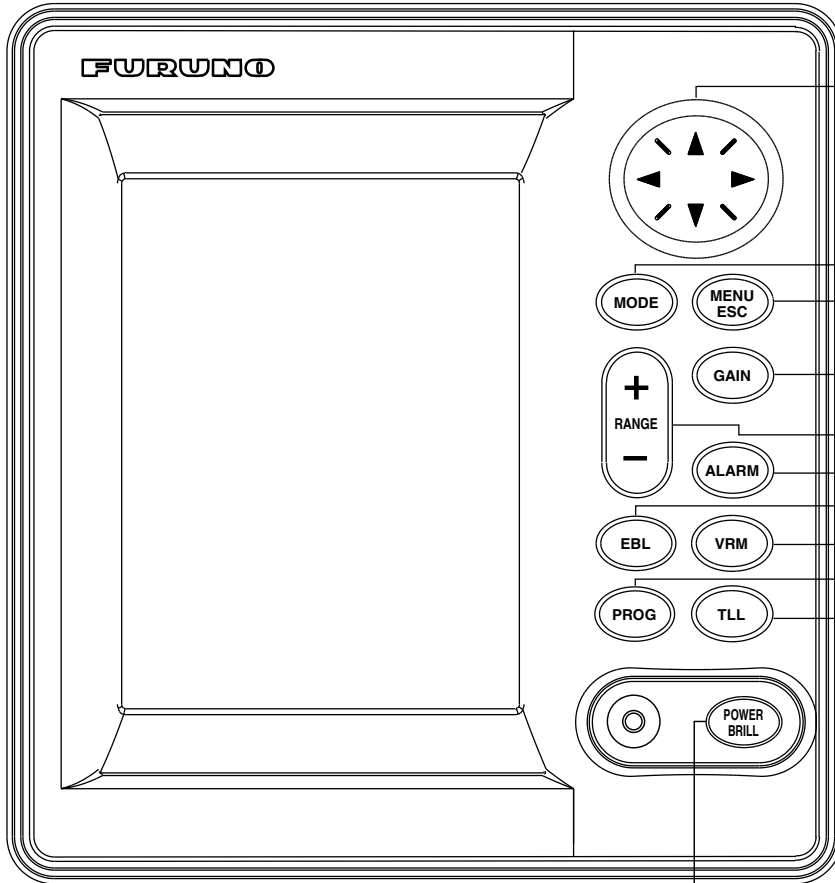
*: See packing list at end of manual.

Option

Name	Type	Code No.	Qty	Remarks
Buzzer Assy.	XH3-BZ-L970	000-146-422	1	With connector, 0.9 m
Cable Assy.	MJ-A7SPF0007-050	000-144-418	1	Connector at one end, 5 m, for NMEA equipment
Cable Assy.	MJ-A15A7F0004-005	000-145-690	1	For NMEA equipment, 0.5 m, connector at both ends, 7P-7P/6P
Cable Assy.	A15A7F0005-020	000-145-691	1	7P-7P, for NMEA equipment, 2 m
Cable Assy.	MJ-A10SPF0003-300	000-130-034	1	Antenna cable, 30 m, for 24 VDC power
Radome Mounting Bracket	OP03-93	008-445-080	1	For mounting antenna unit on a sailboat
Rectifier	PR-62	000-013-484	1	100 VAC
	PR-62	000-013-485		115 VAC
	PR-62	000-013-486		220 VAC
	PR-62	000-013-487		230 VAC

1. OPERATION

1.1 Controls



Cursor Pad
Chooses menu items;
adjusts VRM, EBL and cursor.

Chooses display mode.

Opens/closes menu;
escapes from current operation.

Opens dialog box for adjustment
of gain, A/C SEA, A/C RAIN.

Chooses radar range.

Enables/disables guard alarm.

Turns EBL on/off.

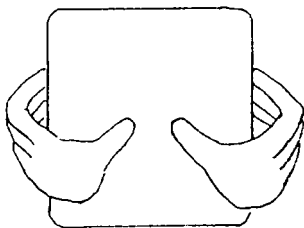
Turns VRM on/off.

Shortcut key

Outputs chosen target's L/L
position to plotter.

How to remove the hard cover

Place your thumbs at the center
of the cover, and then lift the cover while
pressing it with your thumbs.



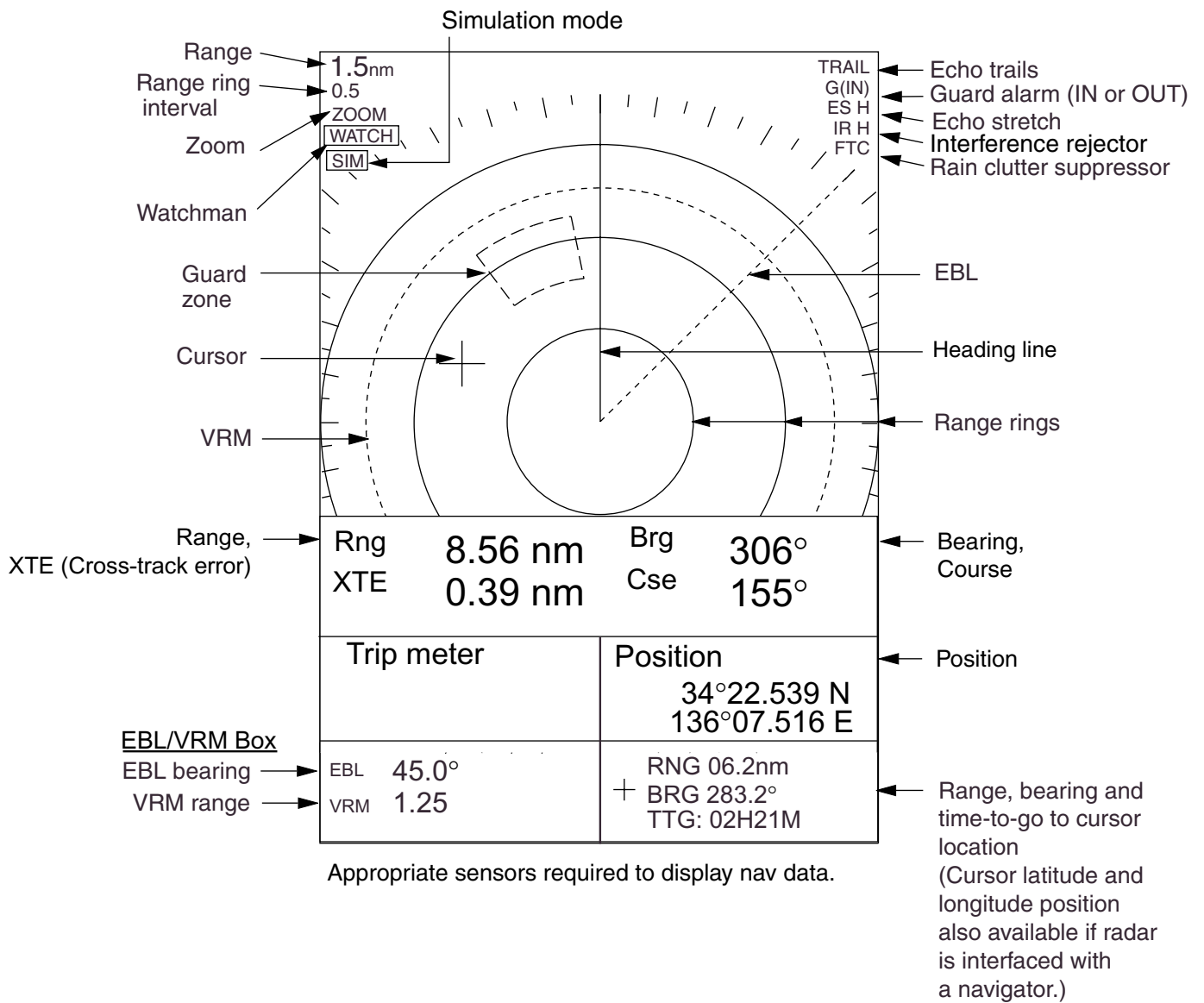
Short press: Turns power on.

Long press: Turns power off.

Momentary press: Opens dialog box for
adjustment of display
contrast, brilliance
and mode (TX, ST-BY)
selection.

Display unit

1.2 Indications



Indications

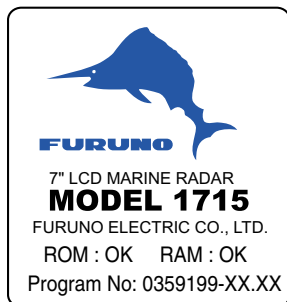
About the LCD

The high quality LCD displays better than 99.99% of its picture elements. The remaining 0.01% may drop out or light, however this is not an indication of malfunction; it is a characteristic of the LCD.

1. OPERATION

1.3 Turning Power On/Off

Press the [POWER/BRILL] key to turn on the power. The unit beeps, the startup screen appears, and then the equipment checks the ROM and RAM for proper operation and displays program number. The ROM and RAM check shows OK or NG (No Good). If NG appears, try to press any key except the [POWER/BRILL] key to start operation. However, the equipment may not work properly. Contact your dealer for advice.



XX.XX = Program version no.

Startup screen

After the completion of the startup test, a timer displays the time remaining for warm up of the magnetron (the device which transmits radar pulses), counting down from 1:00 to 0:00.

To turn off the power, press and hold down the [POWER/BRILL] key (about three seconds) until the screen goes blank.

Provided that the radar was once in use with the transmitter tube (magnetron) still warm, you can turn the radar into TRANSMIT condition without 1-minute of warm-up. If the [POWER/BRILL] switch was accidentally turned off and you want to restart the radar promptly, turn on the [POWER/BRILL] switch not later than 15 seconds after power-off.

Note 1: In a cold environment the screen appears “foggy” when the power is turned on but is soon restored to normal condition.

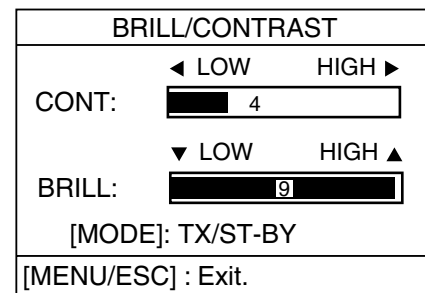
Note 2: The example screens shown in this manual may not match the screens you see on your display. The screen you see depends on your system configuration and equipment settings.

1.4 Transmitting, Standby

After the power is turned on and the magnetron has warmed up, “ST-BY” (Stand-by) appears, indicating the radar is ready to transmit radar pulses.

To toggle between transmit and stand-by, do the following:

1. With the power turned on, press the [POWER/BRILL] key momentarily to show the brilliance/contrast adjustment window.



Brilliance/contrast adjustment window

2. Press the [MODE] key to go to stand-by and transmit status alternately.

Note: If you attempt to transmit before “ST-BY” appears, the beeps sound and the radar does not transmit pulses. Wait until “ST-BY” appears.

3. Press the [MENU/ESC] key to close the window.

When radar pulses are transmitted the radar receiver is automatically tuned. Echoes appear in four levels of digitized video according to echo strength. When a target is beneath a marker (VRM, EBL, heading line, range ring) the part of the marker where the target lies is displayed in reverse video.

1.5 Adjusting Display Contrast, Brilliance

1. With the power turned on, press the [POWER/BRILL] key momentarily to show the brilliance/contrast adjustment window.

BRILL/CONTRAST	
	◀ LOW HIGH ▶
CONT:	█ 4
	▼ LOW HIGH ▲
BRILL:	█ 9
[MODE]: TX/ST-BY	
[MENU/ESC] : Exit.	

Brilliance/contrast adjustment window

2. Press ◀ or ▶ to adjust contrast.
3. Press ▲ or ▼ to adjust brilliance.
4. Press the [MENU/ESC] key to escape.

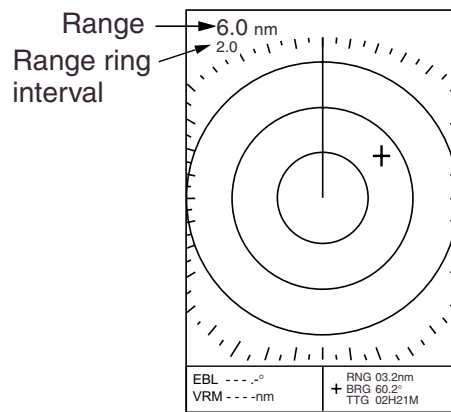
Note 1: Windows other than menu windows are erased when there is no operation within about 10 seconds.

Note 2: The radar starts up with the last-used brilliance level after the startup screen appears. Therefore, adjust the brilliance if it is too low at startup.

1.6 Choosing the Range

The range selected automatically determines the range ring interval, the number of range rings and pulse repetition rate.

Press the [RANGE+] or [RANGE-] key to choose the range. The range and range ring interval appear at the top left corner on the screen.



Location of range and range ring interval indications

1.7 Receiver Sensitivity

The [GAIN] key adjusts the sensitivity (gain) of the receiver. It works in precisely the same manner as the volume control of a broadcast receiver, amplifying the signals received.

To set the sensitivity, you first choose the automatic sensitivity setting which best matches current sea condition. Then, if necessary, you may fine tune the sensitivity manually. The proper setting is such that the background noise is just visible on the screen.

If you set up for too little sensitivity, weak echoes may be missed. On the other hand excessive sensitivity yields too much background noise; weak targets may be missed because of the poor contrast between desired echoes and the background noise on the display.

1. Press the [GAIN] key consecutively until the display shown below appears.

GAIN	
AUTO	: MODERATE
MANU	█ 20
[GAIN] : A/C SEA MENU	
[MENU/ESC]: Exit.	

Gain adjustment window

1. OPERATION

2. Press ▲ or ▼ to choose AUTO or MANU as appropriate.

Automatic gain adjustment

- 1) Press ► to open the automatic gain options window.



Automatic gain options

- 2) Press ▲ or ▼ to choose ROUGH, MODERATE or CALM depending on sea conditions.
- 3) Press ◀ to close the window.

Manual gain adjustment

While observing the screen and the gain tuning bar, press ◀ or ► to adjust the gain. The setting range is 0-100.

3. Press the [MENU/ESC] key to finish.

1.8 Suppressing Sea Clutter

In rough weather, returns from the sea surface, called sea clutter, are received over several miles around own ship and mask nearby targets. This situation can be improved by properly suppressing the sea clutter with the A/C SEA control.

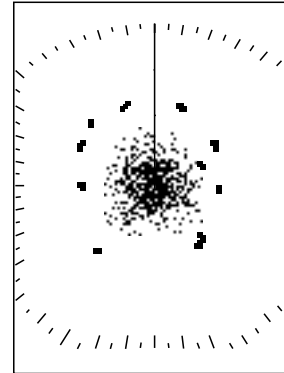
To set the A/C SEA, you first choose the automatic A/C SEA setting which best matches current sea conditions. Then, if necessary, you may fine tune the A/C SEA manually.

In most cases suppress the clutter until it has disappeared to leeward, but a little is still visible windward. If the setting is too low, targets will be hidden in the clutter, while if it is set too high, both sea clutter and targets will disappear from the display.

A common mistake is too over-suppress sea clutter so that it is completely removed. You can see how dangerous this can be by setting up for maximum A/C SEA: A dark zone will be created near the center of the screen,

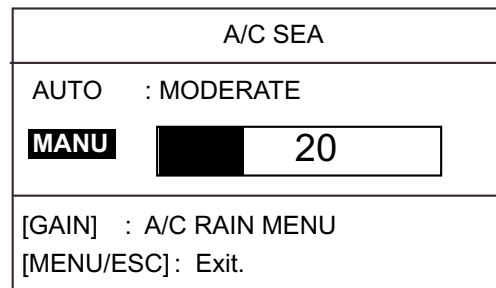
causing a loss of close-in targets. This dark zone is even more dangerous if the sensitivity has not been properly adjusted.

Always leave a little sea clutter visible on the screen, first adjusting automatically and then fine tuning with the manual control as necessary.



Sea clutter at screen center

1. Press the [GAIN] key consecutively until the display shown below appears.

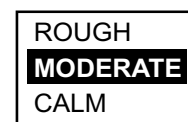


A/C SEA adjustment window

2. Press ▲ or ▼ to choose AUTO or MANU as appropriate.

Automatic A/C SEA adjustment

- 1) Press ► to open the automatic A/C SEA options window.



A/C SEA options

- 2) Press ▲ or ▼ to choose ROUGH, MODERATE or CALM depending on sea conditions.
- 3) Press ◀ to close the window.

Manual A/C SEA adjustment

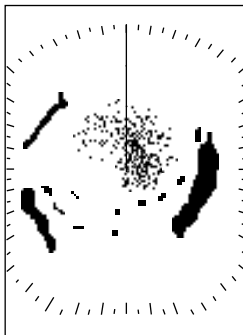
While observing the screen and the A/C SEA tuning bar, press ◀ or ▶ to adjust the A/C SEA. The setting range is 0-100.

- Press the [MENU/ESC] key to finish.

1.9 Suppressing Rain Clutter

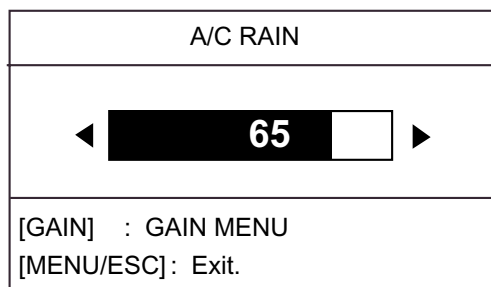
The vertical beamwidth of the antenna is designed to see surface targets even when the ship is rolling. However, by this design the antenna will also pick up rain clutter (rain, snow, or hail) in the same manner as normal targets. The illustration below shows the appearance of rain clutter on the display.

The A/C RAIN control adjusts the receiver sensitivity as the A/C SEA control does but rather in a longer time period (longer range). The higher the setting the greater the anti-clutter effect.



Rain clutter at screen center

- Press the [GAIN] key consecutively until the display shown below appears.



A/C RAIN adjustment window

- While observing the screen and the A/C RAIN tuning bar, press ◀ or ▶ to adjust the A/C RAIN. The setting range is 0-100.
- Press the [MENU/ESC] key to finish.

1.10 Measuring the Range

The bearing to a target can be measured by the range rings, by the cursor and by the VRM (Variable Range Marker).

Measuring range by the cursor

Operate the cursor pad to place the cursor on the inside edge of the target. Read the range to the cursor at the bottom right corner of the display.

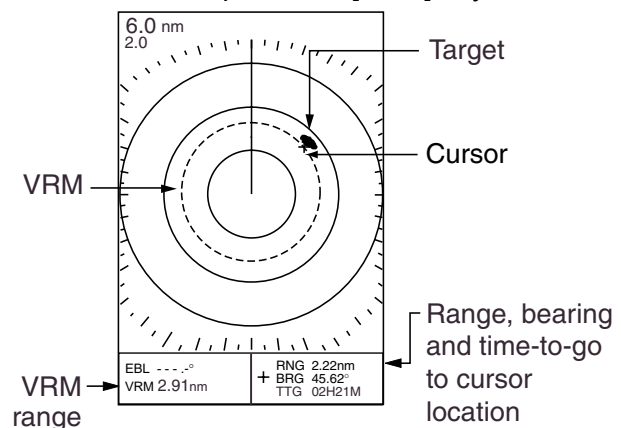
Measuring range by the range rings

Count the number of rings between the center of the display and the target. Check the range ring interval and judge the distance of the echo from the inner edge of the nearest ring.

Measuring range by the VRM

- Press the [VRM] key to display the VRM. The message "Adjust VRM by cursor" appears and "VRM" in the EBL/VRM box is displayed in reverse video. The message is automatically erased after 10 seconds, or you may erase it sooner by pressing any key.
- Operate the cursor pad to place the VRM on the inside edge of the target.
- Check the VRM readout at the bottom left corner on the screen to find the range to the target.

To anchor the VRM, press the [MENU/ESC] key. (It is automatically anchored if there is no key operation for about 10 seconds.) To erase the VRM, press the [VRM] key.



How to measure the range

1. OPERATION

1.11 Measuring the Bearing

The bearing to a target can be measured with the cursor and the EBL (Electronic Bearing Line).

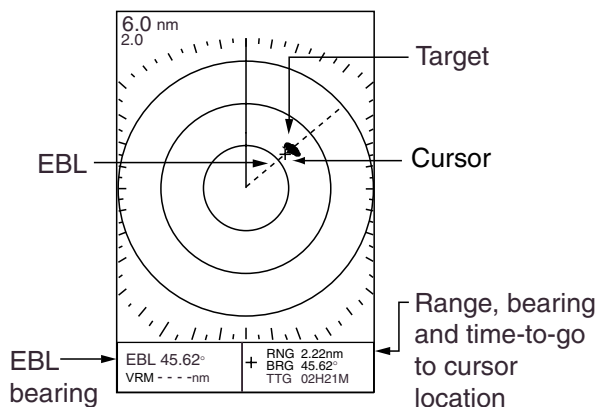
Measuring bearing with the cursor

Operate the cursor pad to place the cursor on the inside edge of the target. Read the bearing to the target at the bottom right corner.

Measuring bearing with the EBL

1. Press the [EBL] key to show the EBL. The message "Adjust EBL by cursor" appears and "EBL" in the EBL/VRM box is displayed in reverse video. The message is automatically erased after 10 seconds, or you may erase it sooner by pressing any key.
2. Operate the cursor pad to bisect the target with the EBL.
3. Check the EBL readout at the bottom left corner on the screen to find the bearing to the target.

To anchor the EBL, press the [MENU/ESC] key. (It is automatically anchored if there is no key operation for about 10 seconds.) To erase the EBL, press the [EBL] key.



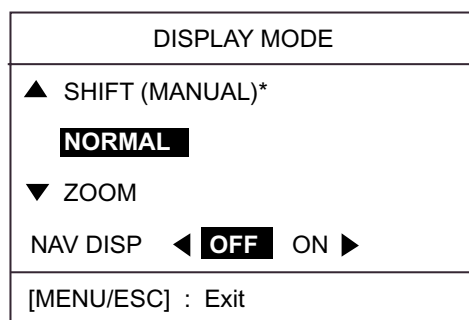
Measuring range by the EBL and cursor

1.12 Shifting the Display

Own ship position, or sweep origin, can be displaced manually or automatically to expand the view field without switching to a longer range. The default shift method is manual.

If shift is activated when nav data is displayed, the nav data is automatically erased.

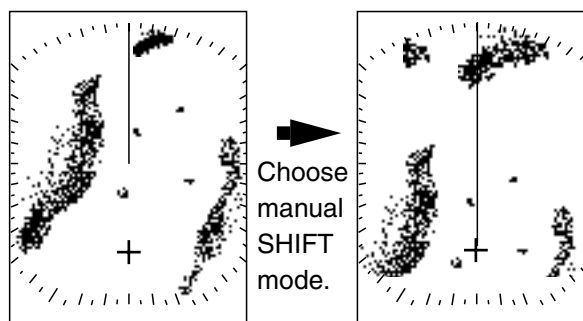
1. Use the cursor pad to place the cursor where you want to shift own ship position.
2. Press the [MODE] key to show the Display Mode menu.



Display mode menu

*: If SHIFT (AUTO) is shown, open the System menu and set SHIFT MODE to MANUAL. For further details, see SHIFT MODE on page 17.

3. Press ▲ to choose SHIFT (MANUAL).
4. Press the [MENU/ESC] key to close the menu.



Select where to shift with the cursor.

Shifted display

How the manual shift works

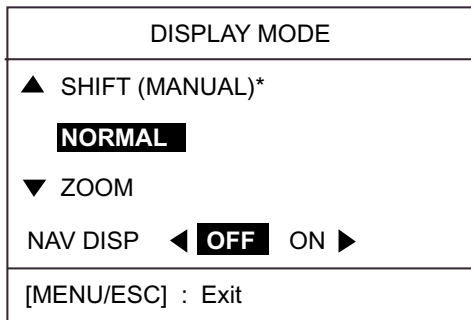
To cancel the shifted display, open the Display Mode menu, set SHIFT to NORMAL and then press the [MENU/ESC] key.

1.13 Zoom

The zoom feature allows you to double the size of a selected area.

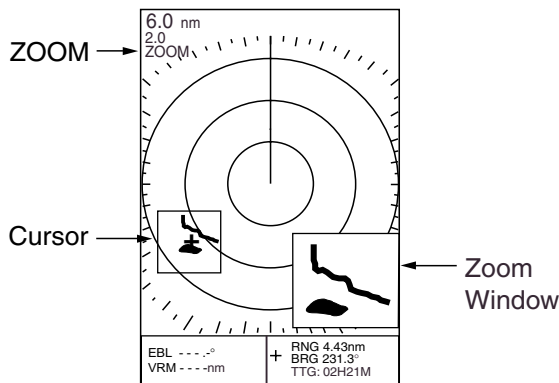
If zoom is activated when nav data is displayed, the nav data is automatically erased.

1. Use the cursor pad to place the cursor where you want to zoom.
2. Press the [MODE] key to show the display mode menu.



Display mode menu

3. Press ▼ to choose ZOOM.
4. Press the [MENU/ESC] key to close the menu. "ZOOM" appears at the top left corner when the zoom feature is turned on.



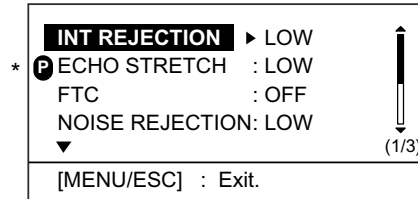
Zoom display

To cancel the zoom display, open the Display Mode menu, choose NORMAL and then press the [MENU/ESC] key. To choose new zoom location, restore to the NORMAL mode and then repeat the zoom procedure.

1.14 User Menu Overview

The User menu, consisting of three pages of menus, contains 12 items which the user may set according to conditions or preference.

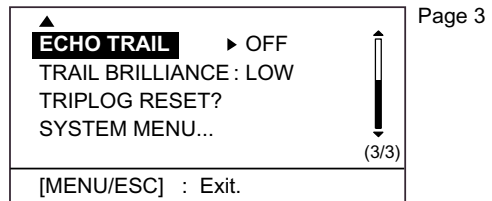
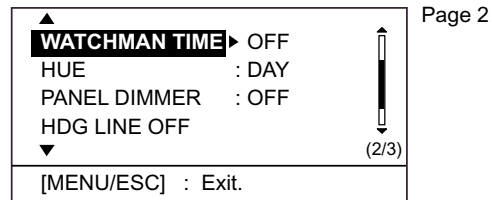
1. Press the [MENU] key to open the User menu.



* = "P" shows current function of PROG key

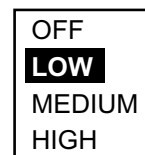
User menu, page 1

2. Use ▲ or ▼ to scroll the menu to display desired item in reverse video.



User menu, pages 2 and 3

3. Press ► to show the options window for the item selected. For example, the illustration below shows the interference rejector options window.



Interference rejector options

4. Press ▲ or ▼ to choose option desired.
5. Press ◀ to continue menu operation, or press the [MENU/ESC] key to register your selection and close the User menu.

1. OPERATION

User menu description

Item	Description
INT REJECTION	Rejects radar interference.
ECHO STRETCH	Stretches echoes in range direction or range and bearing direction.
FTC	Suppresses long-range rain clutter.
NOISE REJECTION	Rejects noise.
WATCHMAN TIME	Periodically checks for targets in guard zone.
HUE	Chooses echo and background tones.
PANEL DIMMER	Adjusts panel backlighting.
HDG LINE OFF	Temporarily turns the heading line off.
ECHO TRAIL	Shows echo movement in afterglow.
TRAIL BRILLIANCE	Adjusts echo trail brilliance.
TRIPLOG RESET?	Resets distance run.
SYSTEM MENU	Opens the system menu. For description see paragraph 1.30.

1.15 Heading Line

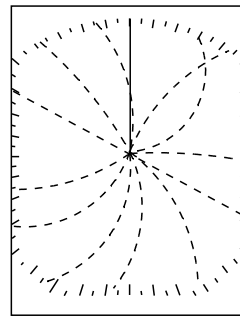
The heading line indicates the ship's heading and it is the solid line which appears at zero degrees on the bearing scale.

To temporarily erase the heading line to look at targets existing dead ahead of own ship, do the following:

1. Press the [MENU/ESC] key to open the User menu.
2. Press ▲ or ▼ to choose HDG LINE OFF from page 2.
3. Press ► to turn the heading line off. The line stays off while ► is pressed.
4. Press the [MENU/ESC] key to close the menu.

1.16 Interference Rejector

Mutual radar interference may occur in the vicinity of another shipborne radar operating in the same frequency band (9 GHz). It is seen on the screen as a number of bright spikes either in irregular patterns or in the form of usually curved spoke-like dotted lines extending from the center to the edge of the picture. This type of interference can be reduced by activating the interference rejector circuit. "IR" and the rejection level indicator "L," "M" or "H" appear at the top right corner when the interference rejector circuit is on.



Appearance of interference

Turn off the interference rejector when no interference exists, to avoid missing small targets.

1. Press the [MENU/ESC] key to open the User menu.
2. Press ▲ or ▼ to choose INT REJECTION from page 1.
3. Press ► to open the options window.
4. Press ▲ or ▼ to choose OFF, LOW, MEDIUM or HIGH as appropriate.
5. Press the [MENU/ESC] key to finish.

1.17 Noise Rejector

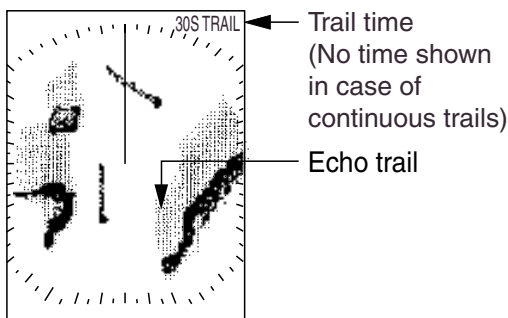
The noise rejector suppresses white noise, which appears on the screen as many dots scattered randomly over the display.

1. Press the [MENU/ESC] key to open the User menu.
2. Press ▲ or ▼ to choose NOISE REJECTION from page 1.
3. Press ► to open the options window.
4. Press ▲ or ▼ to choose OFF, LOW or HIGH as appropriate.
5. Press the [MENU/ESC] key to close the menu.

1.18 Echo Trail, Trail Brilliance

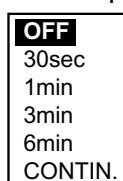
Echo trails are the afterglow of target echoes that represent their movements relative to own ship. They are useful for monitoring target movement.

Trails are painted for the time period chosen. When the time period has elapsed, trails are erased and restarted. Trails are also erased and restarted whenever the range is changed or zoom or shift is activated.



Echo trails

1. Press the [MENU/ESC] key to open the User menu.
2. Press ▲ or ▼ to choose ECHO TRAIL from page 3.
3. Press ► to open the options window.



Echo trail options

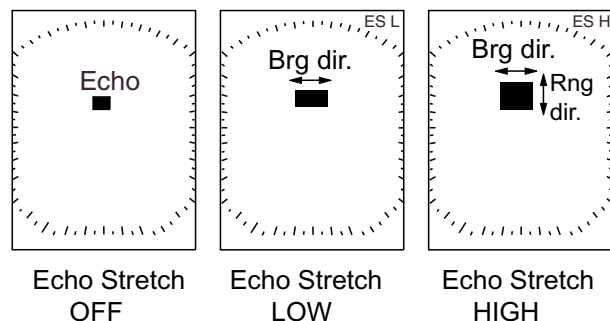
4. Press ▲ or ▼ to choose appropriate time, or OFF to cancel echo trails. "CONTIN." paints trails continuously.
5. Press ◀ to close the options window.
6. Press ▼ to choose TRAIL BRILLIANCE.
7. Press ► to open the options window.
8. Press ▲ or ▼ to choose LOW or HIGH as appropriate.
9. Press the [MENU/ESC] key to close the menu.

"TRAIL" and trail time (no time shown in case of "CONTIN.") are shown at the upper right-hand corner on the screen.

1.19 Echo Stretch

On long ranges target echoes tend to shrink, making them difficult to see. To enhance target video on long ranges, use the echo stretch feature.

1. Press the [MENU/ESC] key to open the User menu.
2. Press ▲ or ▼ to choose ECHO STRETCH from page 1.
3. Press ► to open the options window.
4. Press ▲ or ▼ to choose OFF, LOW or HIGH as appropriate. LOW stretches echoes in the bearing direction; HIGH stretches echoes in the range and bearing directions. "ES L" or "ES H" appears at the top right-hand corner when echo stretch is turned on.
5. Press the [MENU/ESC] key to close the menu.



How echo stretch works

1. OPERATION

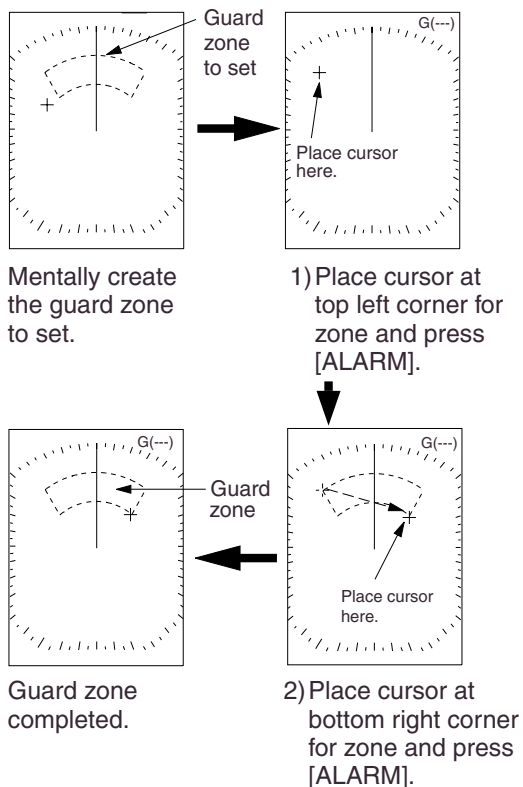
1.20 Guard Alarm

The guard alarm allows the operator to set the desired range and bearing for a guard zone. When ships, islands, landmasses, etc. violate the guard zone, audio and visual alarms are released to call your attention. The alarms will be released for targets entering or exiting the zone depending on the presence or absence of targets in the zone when the alarm is set.

NOTICE	
*	The alarm should not be relied upon as the sole means for detecting possible collision situations.
*	A/C SEA, A/C RAIN, FTC and GAIN controls should be properly adjusted to be sure the weak echoes will not be missed by the alarm.

Setting a guard zone

- Operate the cursor pad to place the cursor at the top left corner for the zone and then press the [ALARM] key.
- Operate the cursor pad to place the cursor at the bottom right corner for the zone and then press the [ALARM] key.



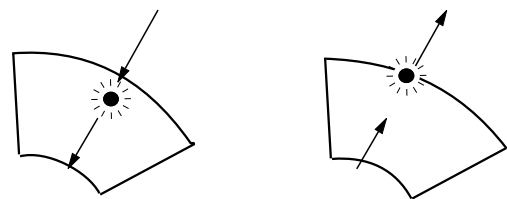
How to set a guard zone

How guard zone type is determined

After the guard zone has been set, the radar checks for targets inside the guard zone, which takes about 8 to 12 seconds. When the check is completed, "G(IN)" or "G(OUT)" replaces G(---) at the top right corner.

G(IN): When no target exists in the zone, "G(IN)" appears. The audio alarm sounds against targets which enter the guard zone.

G(OUT): If there are targets in the guard zone, "G(OUT)" appears. The audio alarm sounds against all targets which exit from the guard zone.



(a) Inward target alarm (b) Outward target alarm

Inward and outward alarms

Note: The guard zone disappears when it is not within the range in use. When this occurs "UP RNG" replaces G(IN) or G(OUT). Change the range to redisplay the guard zone.

Silencing the audio alarm

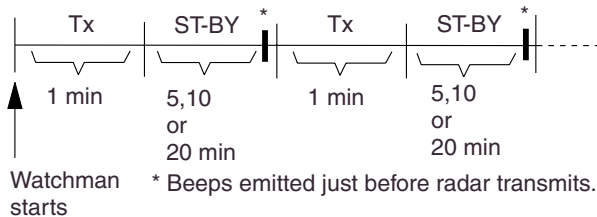
When a target violates the guard zone, the target flashes and the audio alarm sounds. You can silence the audio alarm with the [ALARM] key. The target continues flashing until it no longer violates the guard zone or the guard zone is canceled.

Canceling the guard zone and guard alarm

Press and hold down the [ALARM] key until the guard zone is erased.

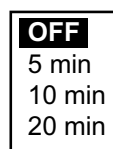
1.21 Watchman

The radar "wakes up" at specified time intervals (5, 10, or 20 minutes) and operates for 10 scans, the start of which is announced by releasing the audio alarm. If change is found in the guard zone from the previous 10 scans, the audio alarm sounds and the radar resumes normal operation, canceling the watchman mode. If no change is found, the radar goes into stand-by, for the specified time interval. This feature is useful for periodic watch of the guard zone.



How watchman works

1. Set a 360° guard zone referring to paragraph 1.20.
2. Press the [MENU/ESC] key to open the User menu.
2. Press ▲ or ▼ to choose WATCHMAN TIME from page 2.
3. Press ► to open the options window.



Watchman time options

4. Press ▲ or ▼ to choose appropriate time out, that is, the amount of time the radar waits in standby, among 5, 10 and 20 minutes.
5. Press the [MENU/ESC] key to close the menu.

1.22 Suppressing Long-range Rain Clutter

In adverse weather, clouds, rain or snow produce spray-like spurious echoes which impair target detection over a long distance. These echoes can be suppressed by turning on the FTC (Fast Time Constant). FTC works by splitting up these unwanted echoes into a speckled pattern, making recognition of solid targets easier.

1. Press the [MENU/ESC] key.
2. Press ▲ or ▼ to choose FTC from page 1.
3. Press ► to open the options window.
4. Press ▲ or ▼ to choose OFF or ON as appropriate.
5. Press the [MENU/ESC] key to close the menu.

"FTC" appears at the top right corner when the FTC is active.

1.23 Panel Backlighting

You may adjust panel backlighting as follows:

1. Press the [MENU/ESC] key to open the User menu.
2. Choose PANEL DIMMER from page 2.
3. Press ► to open the options window.
4. Choose OFF, LOW, MEDIUM or HIGH as appropriate.
5. Press the [MENU/ESC] key to close the menu.

1. OPERATION

1.24 Hue

The default hue setting (DAY) displays echoes in tones of gray on a white background, which is most suitable for daytime viewing. For nighttime viewing you may reverse this arrangement.

1. Press the [MENU/ESC] key to open the User menu.
2. Press ▲ or ▼ to choose HUE from page 2.
3. Press ► to open the options window.
4. Press ▲ or ▼ to choose DAY or NIGHT as appropriate.
5. Press the [MENU/ESC] key to close the menu.

1.25 Resetting Distance Run

You may reset distance run to zero as below. You need a navigator or speed log to display distance run.

1. Press the [MENU/ESC] key to open the User menu.
2. Press ▲ or ▼ to choose "TRIPLOG RESET?" from page 3.
3. Press ► to open the options window.
4. Press ▲ to choose YES to reset distance run to zero.
5. Press the [MENU/ESC] key to close the menu.

1.26 PROG Key

The [PROG] key acts as a shortcut key. You may use any User menu item except "TRIPLOG RESET?" and "SYSTEM MENU."

Using the PROG key

1. Press the [PROG] key. The options window corresponding to the item programmed appears. In the example at the top of the next page the echo stretch options window is shown.

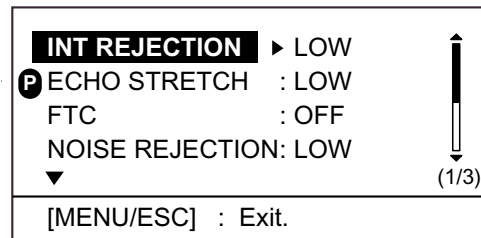


Echo stretch options window

2. Press ▲ or ▼ to choose appropriate option.
3. Press the [MENU/ESC] key to close the options window.

Programming the PROG key

1. Press the [MENU/ESC] key to open the User menu. "P" marks the current function of the [PROG] key.



User menu, page 1

2. Press ▲ or ▼ to choose the item you wish to use.
3. Press and hold down the [PROG] key (about three seconds) until you hear a beep and the "P" moves to the item selected.
4. Press the [MENU/ESC] key to close the menu.

1.27 Outputting Target Position to a Plotter

If the radar is interfaced with a plotter, you can output a radar target's latitude and longitude position to the plotter, and show that position on the plotter's screen, with the target mark (X). This function requires position and heading data.

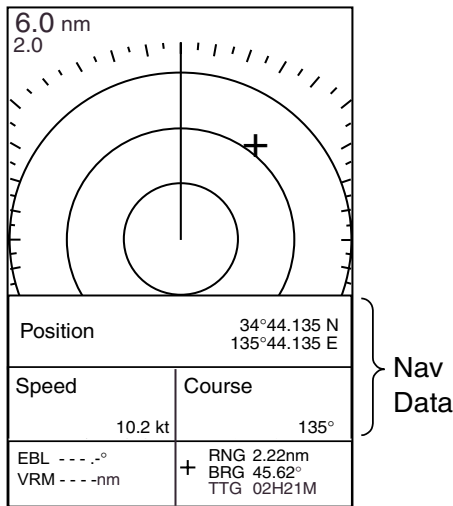
1. Use the cursor pad to place the cursor on a target.
2. Press the [TLL] key to output the target's L/L position.

1.28 Turning Navigation Data On/Off

Navigation data appears on the bottom half of the screen as in the illustration below. You may turn the navigation data display on or off as shown below.

Note: When the nav data is turned on with shift or zoom active, zoom or shift is cancelled.

1. Press the [MODE] key.
2. Press \blacktriangleright to choose ON; \blacktriangleleft to choose OFF.
3. Press the [MENU/ESC] key to close the menu.



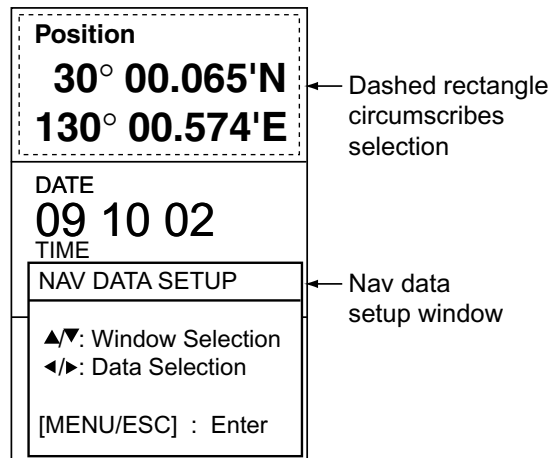
Sample navigation display

1.29 Setting up Nav Data Displays

The user may arrange the nav data display as desired. You may display between two and four items and choose the item and the order to display them. For how to choose the number of items to display, see "NAV DATA" on page 16.

1. Turn on the nav data referring to paragraph 1.28.
2. Press the [POWER/BRILL] key momentarily followed by the [MODE] key to go into stand-by.

3. Press the [MENU/ESC] key to close the window.
4. Press the cursor pad to display the nav data setup window.



Nav data display with nav data setup window

4. Press \blacktriangle or \blacktriangledown to choose the data window to process. The dashed rectangle circumscribes current selection.
5. Press \blacktriangleleft or \blacktriangleright to choose item to display. See the illustration below for the data availability. A description of the nav data displays appears on the next page.

2-item display	3-item display	4-item display
Nav data at stand-by		
(1)	(3)	(6)
(2)	(4)	(7)
	(5)	(8)
		(9)
Nav data on radar display		
(1)	(3)	(6) (7)
(2)	(4) (5)	(8) (9)

Items displayable in (1) - (3): depth, position, course, date, time, range and bearing, trip distance, odometer distance, water temperature, heading, time-to-go to destination waypoint, XTE*, speed*, wind speed and direction*, destination waypoint data*, compass*

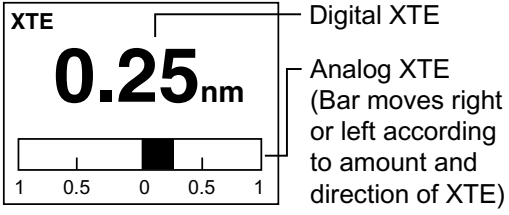
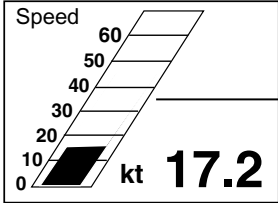
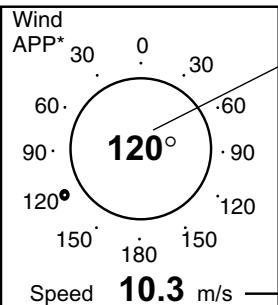
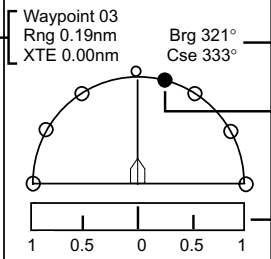
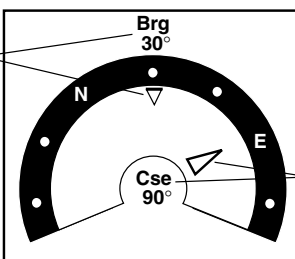
Items displayable in (4) - (9): depth, position, course, range and bearing, trip distance, odometer distance, water temperature, date, time, speed, heading, air pressure, time-to-go to destination waypoint, XTE, wind speed and direction

* = Graphic display in standby

Nav data window and item displayable

6. Press the [MENU/ESC] key to close the nav data setup window.

1. OPERATION

GRAPHIC DISPLAYS	DIGITAL DISPLAYS		
 <p>XTE 0.25 nm</p> <p>XTE (Cross-Track Error) GRAPHIC</p>	<table border="1"> <tr> <td data-bbox="821 246 1061 369"> Depth 32.8ft DEPTH </td> <td data-bbox="1093 246 1332 369"> Temperature 69.8°F WATER TEMPERATURE </td> </tr> </table>	Depth 32.8ft DEPTH	Temperature 69.8°F WATER TEMPERATURE
Depth 32.8ft DEPTH	Temperature 69.8°F WATER TEMPERATURE		
 <p>SPEED GRAPHIC</p>	<table border="1"> <tr> <td data-bbox="821 436 1061 548"> Position 30° 00.065'N 130° 00.574'E POSITION </td> <td data-bbox="1093 436 1332 548"> Heading MAG# 318° HEADING </td> </tr> </table>	Position 30° 00.065'N 130° 00.574'E POSITION	Heading MAG# 318° HEADING
Position 30° 00.065'N 130° 00.574'E POSITION	Heading MAG# 318° HEADING		
 <p>WIND GRAPHIC</p>	<table border="1"> <tr> <td data-bbox="821 616 1061 728"> Speed 19.3kt SPEED </td> <td data-bbox="1093 616 1332 728"> Wind Speed APP* 8.0 m/s WIND SPEED </td> </tr> </table>	Speed 19.3kt SPEED	Wind Speed APP* 8.0 m/s WIND SPEED
Speed 19.3kt SPEED	Wind Speed APP* 8.0 m/s WIND SPEED		
 <p>DESTINATION WAYPOINT GRAPHIC</p>	<table border="1"> <tr> <td data-bbox="821 795 1061 907"> Course 123.0° COURSE </td> <td data-bbox="1093 795 1332 907"> Wind Direction APP* 138° WIND DIRECTION </td> </tr> </table>	Course 123.0° COURSE	Wind Direction APP* 138° WIND DIRECTION
Course 123.0° COURSE	Wind Direction APP* 138° WIND DIRECTION		
 <p>COMPASS GRAPHIC</p>	<table border="1"> <tr> <td data-bbox="821 974 1061 1086"> Range Bearing 1.21 nm 140° RANGE & BEARING** </td> <td data-bbox="1093 974 1332 1086"> Trip meter 121 nm TRIP DISTANCE </td> </tr> </table>	Range Bearing 1.21 nm 140° RANGE & BEARING**	Trip meter 121 nm TRIP DISTANCE
Range Bearing 1.21 nm 140° RANGE & BEARING**	Trip meter 121 nm TRIP DISTANCE		
	<table border="1"> <tr> <td data-bbox="821 1153 1061 1265"> Odometer 56 nm ODOMETER </td> <td data-bbox="1093 1153 1332 1265"> Time to Go 00H30M TIME-TO-GO** </td> </tr> </table>	Odometer 56 nm ODOMETER	Time to Go 00H30M TIME-TO-GO**
Odometer 56 nm ODOMETER	Time to Go 00H30M TIME-TO-GO**		
	<table border="1"> <tr> <td data-bbox="821 1332 1061 1444"> TD 31234.5 56432.6 LORAN C/DECCA TIME DIFFERENCES </td> <td data-bbox="1093 1332 1332 1444"> Time 14:25:03 TIME </td> </tr> </table>	TD 31234.5 56432.6 LORAN C/DECCA TIME DIFFERENCES	Time 14:25:03 TIME
TD 31234.5 56432.6 LORAN C/DECCA TIME DIFFERENCES	Time 14:25:03 TIME		
	<table border="1"> <tr> <td data-bbox="821 1556 1061 1668"> Date 2002 SEP 19 DATE </td> <td data-bbox="1093 1556 1332 1668"> XTE 0.24 nm CROSS-TRACK ERROR </td> </tr> </table>	Date 2002 SEP 19 DATE	XTE 0.24 nm CROSS-TRACK ERROR
Date 2002 SEP 19 DATE	XTE 0.24 nm CROSS-TRACK ERROR		


* = APP or TRUE depending on menu setting. See WIND SPD/DIR on page 17 for description.
 ** = Range and bearing to destination waypoint
 # = MAG(netic) or TRUE. TRUE requires heading sensor.
Note: The graphic displays selected on the standby display are repeated on the radar display.

Nav data displays

1.30 System Menu

The System menu mainly contains items which once set do not require frequent adjustment. You may display this menu by choosing "SYSTEM MENU" from page 3 of the User menu and then pressing ►.

PAGE 1

SYSTEM MENU	
LANGUAGE	► English
RANGE UNIT	: nm
DEPTH UNIT	: ft
SPEED UNIT	: kt
WIND UNIT	: kt
TEMP UNIT	: °F
NAV DATA	: 
KEY BEEP	: ON
RINGS	: OFF
WAYPOINT MARK	: OFF
(1/3)	
[MENU/ESC] : Exit.	

Page no.

PAGE 2

SYSTEM MENU	
EBL REFERENCE	► TRUE
BEARING READOUT	: TRUE
CURSOR POSITION	: RNG&BRG
TRIP SOURCE	: LAT/LON
WIND SPD/DIR	: APPARENT
SHIFT MODE	: MANUAL
AUTO SHIFT SPEED	: 15
TX SECTOR BLANK	: OFF
BLANKING START	: 000°
BLANKING AREA	: 000°
LOCAL TIME SETUP	: +0:00
ANTENNA SPEED	: AUTO
(2/3)	
[MENU/ESC] : Exit.	

PAGE 3

SYSTEM MENU	
RANGE 0.125nm	► ON
0.25 nm	: ON
0.5 nm	: ON
0.75 nm	: ON
1 nm	: OFF
1.5 nm	: ON
2 nm	: OFF
3 nm	: ON
4 nm	: OFF
6 nm	: ON
8 nm	: ON
12 nm	: ON
16 nm	: ON
24 nm	: ON
(3/3)	
[MENU/ESC] : Exit.	

System menu

System menu description

Page 1 of system menu

LANGUAGE: The system language is available in English, several European languages and Japanese. To change the language, choose language desired, and then press the [MENU/ESC] key.

RANGE UNIT: Chooses the unit of range measurement among nautical miles, kilometers and statute miles.

DEPTH UNIT: Chooses the unit of depth measurement among meters, feet, fathoms, Hiro (Japanese) and Passi/Braza. Requires depth data.

SPEED UNIT: Chooses the unit of speed measurement among knot, mile per hour and kilometer per hour. Requires speed data.

WIND UNIT: Chooses the unit of wind measurement among mile per hour, kilometer per hour and meters per second. Requires wind data.

TEMP UNIT: Chooses the unit of water temperature measurement from Celsius and Fahrenheit. Requires water temperature data.

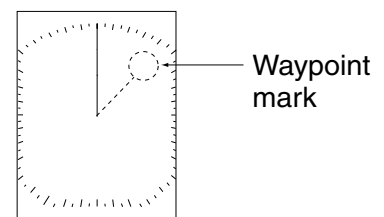
NAV DATA: Chooses the amount of nav data to display among two, three and four items. Requires appropriate sensors.

KEY BEEP: A beep sounds to confirm valid and invalid operation. You can turn this beep on or off.

RINGS: Turns the range rings on or off.

WAYPOINT MARK:

The waypoint mark shows the location of the destination waypoint set on a plotter. You can turn this mark on or off.



Requires a plotter.

Waypoint mark

1. OPERATION

Page 2 of system menu

EBL REFERENCE: The EBL readout may be chosen from relative (relative to own ship's heading) or true (referenced to the North). Heading data required for true bearing.

Note: If no bearing data is input, course data from the GPS navigator is used. In this case ship's speed must be more than two knots.

BEARING READOUT: Course indication may be shown in true or magnetic (magnetic compass) degrees. Heading data required for true degrees.

CURSOR POSITION: Chooses the information to show for the cursor position: latitude and longitude or range and bearing from own ship. Latitude and longitude position requires a navigator.

TRIP SOURCE: Chooses the criteria for calculating distance run: latitude and longitude or speed. Requires navigator or speed log.

WIND SPD/DIR: **True** is the speed and direction (in relation to ship's bow) of the wind felt or measured when stationary. **Apparent** is the direction (in relation to ship's bow) and speed of the wind as it appears to those on board, relative to the speed and direction of the boat; combination of the true wind and the wind caused by the boat's movement. Requires wind data.

SHIFT MODE: Own ship position, or sweep origin, can be displaced manually or automatically. For automatic displacement, the amount of shift is calculated with ship speed, and the amount is limited to 60% of the range in use. For example, if the "Auto Shift Speed" setting is 15 knots and the ship is running at 10 knots, the amount of shift will be about 40%. The formula for determining shift amount is as below. Requires speed data.

$$\frac{\text{Ship's speed}}{\text{Shift speed setting}} \times 0.6 = \text{Amount of shift(\%)}$$

AUTO SHIFT SPEED: Sets the automatic shift maximum speed. The setting range is 1-99.

TX SECTOR BLANK: In some installations it may be unavoidable to locate the antenna where an object (mast, etc.) will prevent transmission within its breadth. You should disable transmission within this area by turning on this feature and setting the area with BLANKING START and BLANKING AREA below.

BLANKING START: Sets the starting point (000-359°) of the TX sector blanking area.

BLANKING AREA: Sets the end point of the TX sector blanking area (000-135°).

LOCAL TIME SETUP: Enter time difference between local time and UTC time to use local time. Press ▲ or ▼ to set value.

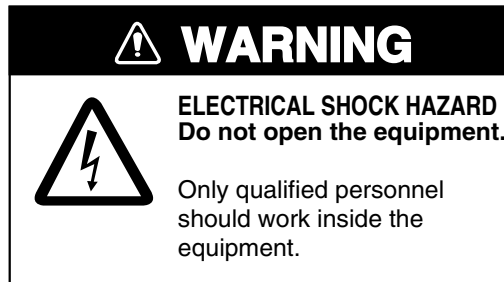
ANTENNA SPEED: Chooses antenna rotation speed from 24 rpm and AUTO. Use AUTO to automatically change the antenna rotation speed (24-41 rpm) according to pulse length*. Choose "24 rpm" to rotate the antenna at 24 rpm regardless of pulse length.

* = Short pulse at high rotation speed; long pulse at slow rotation speed.

Page 3 of system menu

RANGE: Chooses the ranges to use.

2. MAINTENANCE, TROUBLESHOOTING



2.1 Maintenance

Regular maintenance is important for good performance. A maintenance program should be established and should at least include the items listed in the table below.

Maintenance program

Period	Item	Check point	Action
3 to 6 months	Fixing bolts for antenna unit	Check for corrosion and if tightly fastened.	Replace corroded bolts. Coat new bolts with anticorrosive sealant.
	Antenna unit cleanliness	Check for foreign material. (Foreign material on the antenna unit can cause a considerable drop in sensitivity.)	Clean the antenna unit with a freshwater-moistened cloth. Alcohol may be used. Do not use commercial cleaners to clean the antenna unit; they can remove paint and markings or deform the equipment.
	Antenna unit cover	Check for cracks. Permanent damage to the unit's circuitry will result if water leaks inside.	If a crack is found, it should be temporarily repaired by using a small amount of sealing compound or adhesive. The unit should then be brought to your dealer for permanent repairs.
	Display unit case, LCD	The display case and LCD will, in time, accumulate a coating of dust, and dust on the LCD tends to dim the picture.	Wipe the LCD carefully to prevent scratching, using tissue paper and an LCD cleaner. To remove dirt or salt deposits, use an LCD cleaner, wiping slowly with tissue paper so as to dissolve the dirt or salt. Change paper frequently so the salt or dirt will not scratch the LCD. Do not use commercial cleaners to clean the display unit; they can remove paint and markings or deform the equipment.
6 months to 1 year	Display unit connectors	Check for tight connection and corrosion.	If corroded, ask your dealer about replacement.

2.2 Replacing the Fuse

The fuse (5 A) in the power cable protects the equipment against reverse polarity of the ship's mains, overcurrent, and equipment fault. If the fuse blows, find the cause before replacing it.

 CAUTION
<p>Use the proper fuse.</p> <p>Use of a wrong fuse may cause serious damage to the equipment and void the warranty.</p>

2.3 Troubleshooting

The table below provides simple troubleshooting procedures which the user can follow to restore normal operation. If you cannot restore normal operation contact your dealer for advice.

Troubleshooting

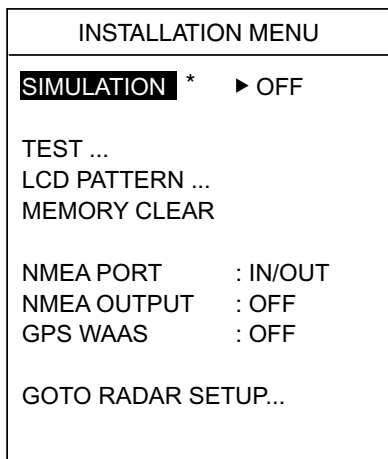
If...	But...	Then...
you pressed the [POWER/BRILL] key to turn on the radar	nothing appears on the display or display contrast is poor	<ul style="list-style-type: none"> • try adjusting LCD contrast. • battery may have discharged; check battery. • check if fuse has blown.
	the control panel does not light	adjust PANEL DIMMER on the User menu.
the radar has warmed up and you pressed the [MODE] key to transmit	the message "NO HEADING PULSE" or "NO BEARING PULSE" appears	check that the antenna cable is firmly connected.
	neither noise or targets appear (characters and markers do)	<ul style="list-style-type: none"> • try adjusting gain, A/C SEA and A/C RAIN. • check antenna cable for damage.
a key is pressed	nothing happens	key may be faulty. Contact your dealer.
the display freezes		press the [POWER/BRILL] key about five seconds to turn off the power and then turn it on again.

2.4 Diagnostics

If you feel that your unit is not working properly, conduct the appropriate diagnostic test, display unit or antenna unit, to find the possible cause. If you cannot restore normal operation, contact your dealer for advice.

Display unit

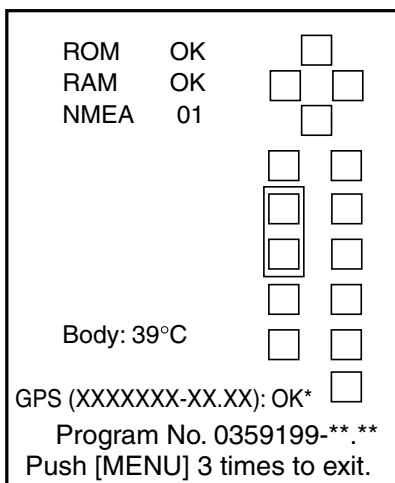
1. Turn on the power while pressing and holding down the [MENU/ESC] key. Continue pressing the [MENU/ESC] key until the Installation menu appears.



* The simulation provides internally generated echoes, for use in exhibitions, etc. "SIM" appears at the top left corner when the simulation mode is active.

Installation menu

2. Press ▼ to choose TEST.
3. Press ► to start the test. In a few moments the results will appear.



* Program no. of FURUNO BlackBox GPS
 **. ** = Program version no.

Diagnostic test results

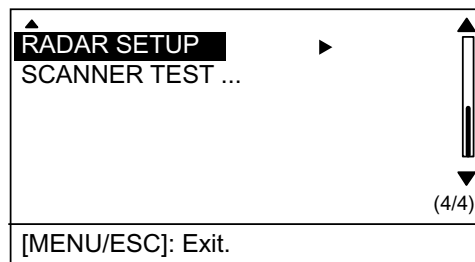
Interpreting display unit test results

Item	Results
ROM, RAM	OK: Normal NG: No Good
NMEA	Test connector required to test. Normally, "01" is displayed.
Body	Temperature of display unit

4. The squares at the right side of the test results display are for checking controls. Press each key and the arrows on the cursor pad one by one. A control's corresponding on-screen square "lights" in black if the control is working properly.
5. To return to the Installation menu, press the [MENU/ESC] key three times.
6. To restore normal operation, turn off the power and then turn it on again.


Antenna unit

1. Display the installation menu as in step 1 in the display unit diagnostic test.
2. Press ▼ to choose GOTO RADAR SETUP and then press ►. Power is automatically reset.
3. Press the [POWER/BRILL] and [MODE] keys to transmit.
4. Press the [MENU/ESC] key. The menu below appears.



Page 4/4 of user menu

5. Press ▼ to choose SCANNER TEST.
6. Press ► to start the test. In a few moments the results will appear, similar to those shown at the top of the next page.
7. To restore normal operation, turn off the power and then turn it on again.

ANTENNA STATUS	: OK(47)#
HEADING	: OK
BEARING	: OK (24.0rpm)*
TUNE	: 
TOTAL ON TIME	: 00000h
TOTAL TX TIME	: 00000h
INPUT NMEA	
RMA	RMB RMC BWC GLL GGA
MTW	VTG VHW XTE VBW DPT
DBK	DBS DBT HDT HDG HDM
BWR	GLC GTD MWV ZDA
[MENU/ESC]: Exit.	

Numeric is status code. For service technician.

* Antenna rotation speed

24.0 = Long range	} typical value
31.0 = Medium range	
41.0 = Short range	

Antenna test results

The antenna unit and heading and bearing signals are checked, and the results shown as OK or NG (No Good). For any NG, contact your dealer for advice. Antenna unit RPM appears below the bearing signal test result.

Note: The result of ANTENNA STATUS is shown as “NG (0)” when the antenna test result screen is initially shown. To confirm the antenna status, press the [MENU/ESC] key and **▶**.

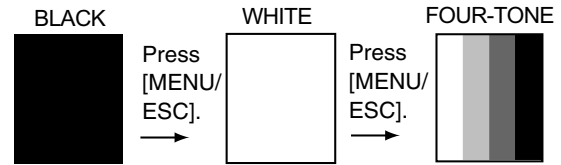
The “TUNE” bar shows radar receiver tuning status. Total on time and total TX times appear below the TUNE bar. Data sentences currently input to the radar are highlighted in the “INPUT NMEA” window.

2.5 Test Pattern

This feature tests for proper display of tones.

1. Turn on the power while pressing and holding down the [MENU/ESC] key. Continue pressing the [MENU/ESC] key until the Installation menu appears.
2. Press **▼** to choose LCD PATTERN.
3. Press **▶** to start the test. The entire screen is black.
4. Press the [MENU/ESC] key and the screen turns white.

5. Press the [MENU/ESC] key again and the screen shows a four-tone display.
6. Press the [MENU/ESC] key again to return to the Installation menu.
7. To restore normal operation, turn off the power and then turn it on again.



Test patterns

2.6 Clearing the Memory

You may want to clear the memory to start afresh with default settings. You can do this as follows:

1. Turn on the power while pressing and holding down the [MENU/ESC] key. Continue pressing the [MENU/ESC] key until the Installation menu appears.
2. Press **▼** to choose MEMORY CLEAR.
3. Press **▶**.
4. Press **▲** to choose YES.
5. To restore normal operation, turn the power off and then turn it on again.

2.7 Replacing the Magnetron

When the magnetron has expired, distant targets cannot be seen on the display. When you feel that long range performance has decreased, contact a FURUNO agent or dealer about replacement of the magnetron. (Type: E3588, Code No: 000-142-270)

2.8 Replacing the Synchro Belt

When the synchro belt has worn out, the sweep is not synchronized with antenna rotation, which results in an abnormal picture. When you suspect that the synchro belt has worn out, contact a FURUNO agent or dealer about replacement. (Type: 40 S2M 266UG, Code No: 000-808-743)

3. INSTALLATION

3.1 Antenna Unit Installation

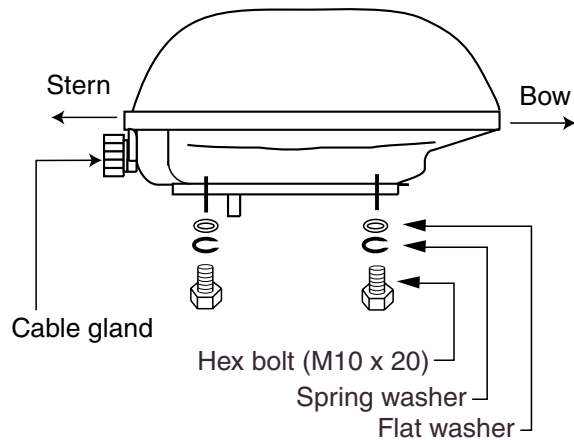
Mounting considerations

When choosing a mounting location for the antenna unit, keep in mind the following points:

- Install the antenna unit on the hardtop, radar arch or on a mast on an appropriate platform. (For sailboats, a mounting bracket is optionally available.) It should be placed where there is a good all-round view with, as far as possible, no part of the ship's superstructure or rigging intercepting the scanning beam. Any obstruction will cause shadow and blind sectors.
- In order to minimize the chance of picking up electrical interference, avoid where possible routing the antenna cable near other electrical equipment onboard. Also, avoid running the cable in parallel with power cables.
- Separate the antenna unit from a magnetic compass by the distances noted below to prevent interference to the magnetic compass:
 - Standard compass: 1.25 m
 - Steering compass: 0.85 m

Mounting on a platform

1. Remove mounting hardware at the bottom of the antenna unit; four each of hex bolts (M10X20), spring washers and flat washers. Save mounting hardware to use it to fix the antenna unit to the mounting platform later on.



Antenna unit, showing location of mounting hardware

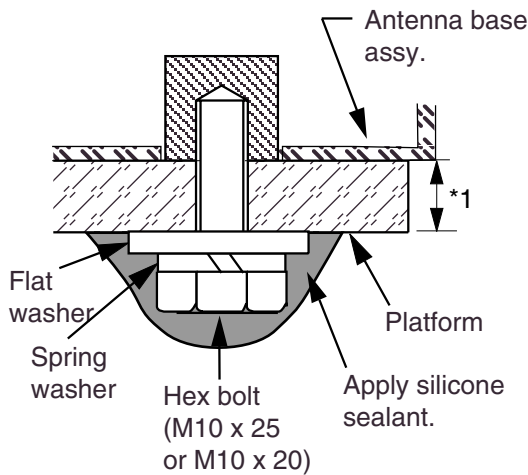
2. Construct a platform (wood, steel, or aluminum) of 5-10 mm in thickness referring to the outline drawing at back of this manual. Fasten the platform to the mounting location. Next, position the antenna unit so the cable gland faces toward boat's stern.

Note 1: If corrosive material is used for the platform, take appropriate anticorrosive measures to prevent corrosion.

Note 2: When drilling holes in the platform, be sure they are parallel with the fore and aft line.

3. Using the hex bolts, flat washers and spring washers removed at step 1, fasten the antenna unit to the platform. **The torque should be between 19.6-24.5 N/m.**

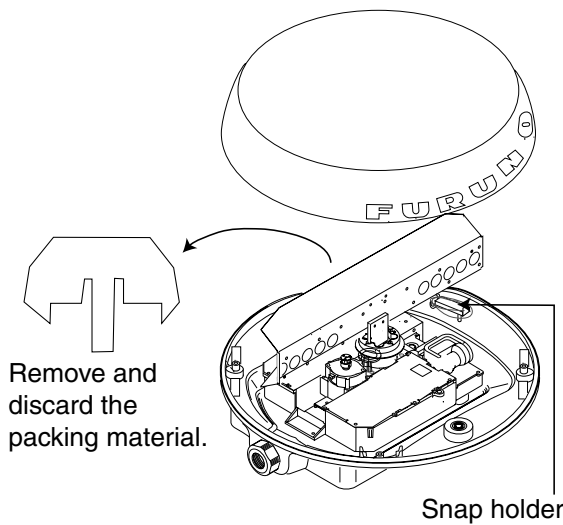
Note: Longer hex bolts (M10 x 25) are supplied with the installation materials. Use them instead of the hex bolts removed earlier if the thickness of the mounting platform is 5-10 mm.



*1: Platform thickness	Bolt to use
5 mm or under:	M10x20
5-10mm:	M10x25
over 10 mm:	locally supplied bolts

How to fasten the antenna base to platform

4. Unfasten four screws to open the cover. Remove and discard the packing material inside the radome.



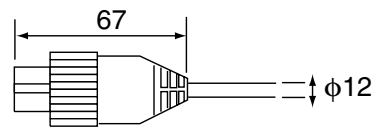
Antenna unit, inside view

The antenna base is fitted with a snap holder, which may be used to hang the cover after removal. Use the hole next to the screw hole inside the cover to hang it.

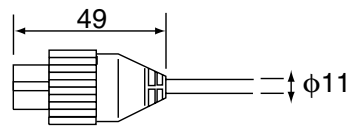
- a) Unfasten the snap assy. with the string attached at the holder in the antenna base.
- b) Unwind the string.
- c) Attach the snap to the screw hole on the inside of the cover.

Note: Do not use the snap holder to hang objects other than the cover.

5. Release the cable of the rotation detector from the cable clamp.
6. Unfasten 11 screws to dismount the shield plate.
7. Pass the antenna cable with connector through the gasket and cable clamp, and then tighten the cable gland. Two gaskets are supplied: one gray, one black. Use the proper gasket according to antenna cable used, referring to the illustration below.



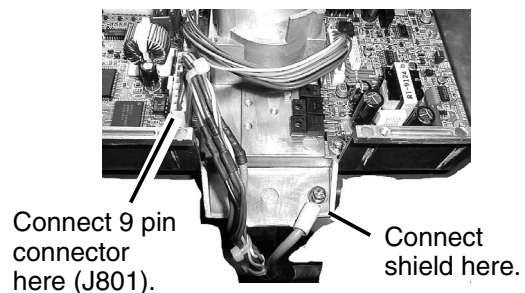
Use gray gasket.



Use black gasket.

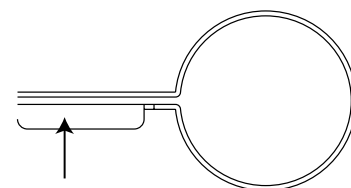
Antenna unit, top view

8. Referring to the figure below, fasten the shield cable with a screw (M4 x 10) on the chassis to ground the unit.



How to connect the antenna cable to the antenna unit

9. Attach the EMI core to the antenna cable. Set the EMI core fixing plate to the EMI core.

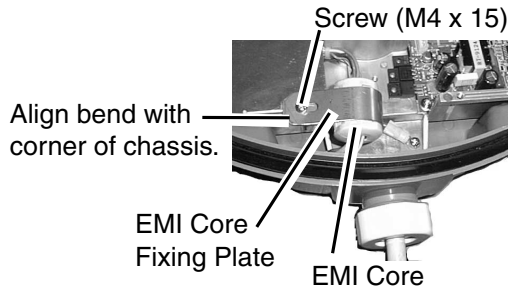


Pass the cable through the plate so the bend faces downward.

EMI core fixing plate

3. INSTALLATION

10. Connect the 9-pin connector of the antenna cable to J801. See the illustration on the previous page for location.
11. Refasten the shield plate with 10 screws. Be sure not to pinch the cable from the rotation detector with the shield plate.
12. Fasten the EMI core fixing plate with screw (supplied).



How to fix the EMI core

13. Temporarily close the cover. You will need to open the cover later to confirm magnetron voltage.

Mounting using the optional mounting bracket

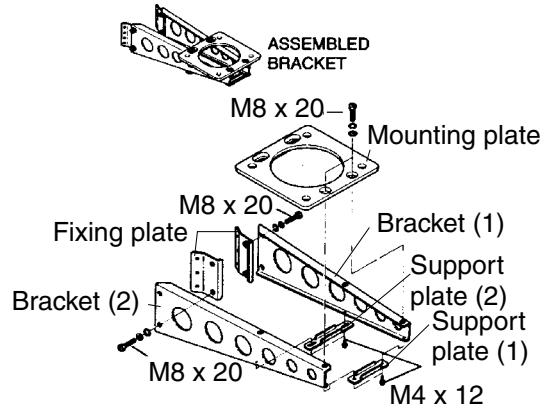
A mounting bracket for fastening the antenna unit to a mast (70-125 mm diameter) on a sailboat is optionally available.

Type OP03-93, Code 008-445-080

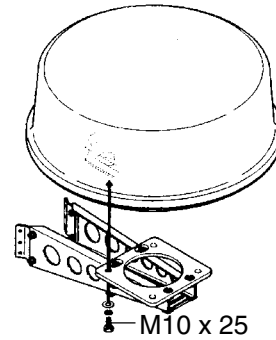
Contents of mounting bracket kit

Name	Type	Code No.	Qty
Bolt	M4 x 12	000-804-725	4
Bolt	M8 x 20	000-805-707	8
Mounting plate	03-018-9001-0	100-206-740	1
Support plate (1)	03-018-9005-0	100-206-780	1
Support plate (2)	03-018-9006-0	100-206-790	1
Bracket (1)	03-028-9101-0	100-206-810	1
Bracket (2)	03-028-9102-0	100-206-820	1
Fixing plate	03-028-9103-0	100-206-830	2

1. Remove mounting hardware at the bottom of the antenna base. You may discard the mounting hardware.
2. Assemble the mounting bracket as below and fasten it to a mast.
3. Fasten the antenna unit to the mounting bracket with hexagon head bolts (M10 x 25, optional supply).



(A) Assembling the mounting bracket



(B) Fastening antenna to mounting bracket

How to assemble the optional mounting bracket and mount the antenna

4. Open the cover.
5. Follow steps 5-12 in "Mounting on a platform."

3.2 Display Unit Installation

Mounting considerations

When choosing a mounting location for the display unit, keep in mind the following points:

- Keep the display unit out of direct sunlight.
- The temperature and humidity should be moderate and stable.
- Locate the unit away from exhaust pipes and vents.
- The mounting location should be well ventilated.
- Mount the unit where shock and vibration are minimal.
- Keep the unit away from electromagnetic field-generating equipment such as motors and generators.
- For maintenance and checking purposes, leave sufficient space at the sides and rear of the unit and leave slack in cables.
- Separate the display unit from a magnetic compass unit by the distances noted below to prevent interference to the magnetic compass:
 - Standard compass: 0.6 m
 - Steering compass: 0.4 m
- Be sure the mounting location is strong enough to support the weight of the unit under the continued vibration normally experienced on the boat.

Mounting

The display unit can be mounted on a desktop or overhead or flush mounted in a console.

Desktop, overhead mounting

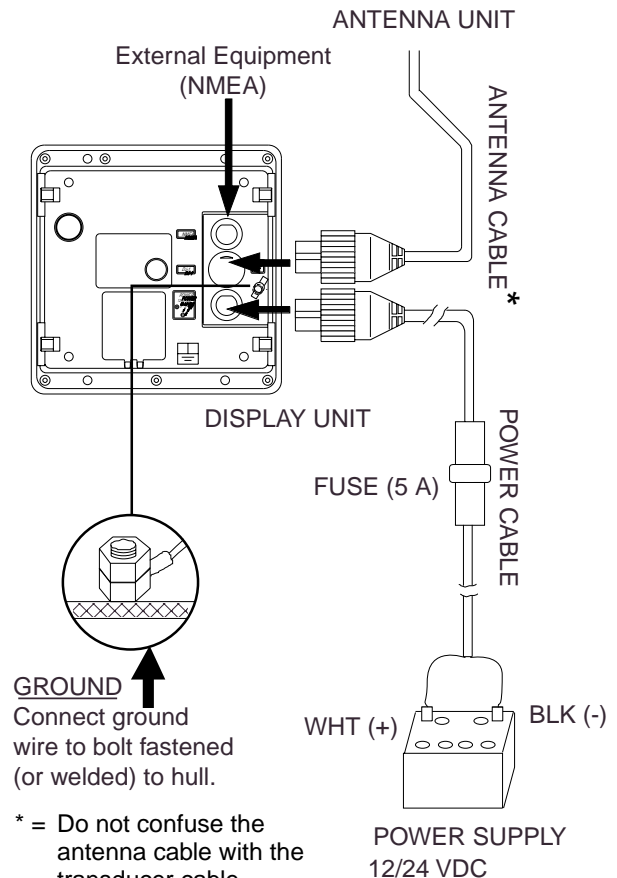
1. Fix the hanger to the mounting location with four tapping screws (supplied).
2. Fit the knob bolts to the display unit.
3. Set the display unit to the hanger.
4. Tighten the knob bolts securely.

Flush mounting

Cutout a hole in the mounting area, referring to the outline drawing at the back of this manual for dimensions. Fasten the display unit with four screws (M4 x 20, supplied).

3.3 Wiring

Connect the antenna cable, the power cable and the ground wire as shown below.



Wiring

3. INSTALLATION

Connecting external equipment

A video sounder, navigator, plotter, wind indicator or GPS receiver GP-310 (320B) can be connected to the display unit. You will need an NMEA cable to make the connection.

To connect two navigators, use the optional cable MJ-A15A7F0004-005. Connect them referring to the interconnection diagram at the back of this manual.

Input sentences

NMEA 0183 Version 1.5/2.0/3.0, 4800 bps

Name	Sentences
Ship's Speed	VTG>RMC>RMA>VBW>VHW
Depth	DPT>DBK>DBS>DBT
Heading (T)*	HDT>HDG>VHW>HDM
Heading (M)	HDM>HDG>VHW>HDT
Course (T)	VTG>RMC>RMA
Course (M)	VTG>RMC>RMA
Range/Bearing	RMB>BWR>BWC
Waypoint	RMB>BWR>BWC
Own Ship Pos.	GGA>RMC>RMA>GLL
Time Diff.	RMA>GLC>GTD
Water Temp.	MTW
Time, Date	ZDA>RMC
Wind Data	MWV
Cross-track Error	RMB>XTE

*Requires magnetic variation (output by navigator).

Output sentence

NMEA 0183 Version 3.0, 4800 bps

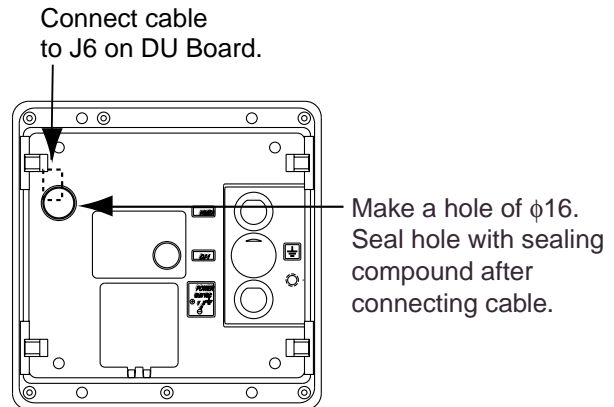
Name	Sentence
Target L/L	TLL

Connecting the external buzzer

The optional external buzzer (type XH3-BZ-L970, code no. 000-146-422) sounds the alarm buzzer in a remote location.

Note: This procedure requires making a hole in the display unit, which can affect watertightness. FURUNO cannot guarantee watertight integrity after this modification is made.

1. Detach the rear panel and place it out side up on a workbench.
2. Use a hammer and a Philips head screwdriver to punch out a hole of $\varnothing 16$ at the location shown in the illustration below.



Display unit, rear view

3. Close the rear panel, making sure the gasket is correctly positioned.
4. Plug in the connector of the external buzzer to J6 on the DU Board.
5. Seal the hole with sealing compound.
6. Fix the buzzer to the location desired with two tapping screws.

3.4 Adjustments

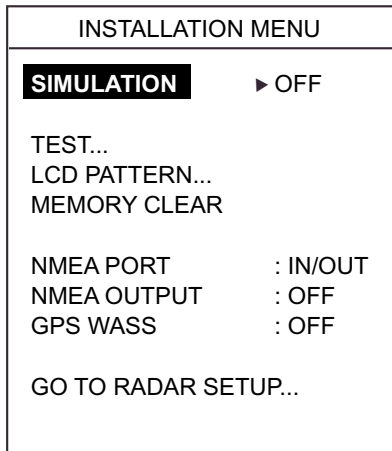
After you have installed the radar, do the heading alignment and timing adjustment. If you are connecting external equipment, follow "NMEA port setup, GPS WAAS setup" (for GP-320B) also.

Heading alignment

You have mounted the antenna unit facing straight ahead in the direction of the bow. Therefore, a small but conspicuous target dead ahead visually should appear on the heading line (zero degrees).

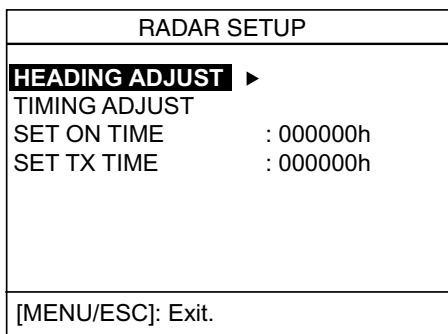
In practice, you will probably observe some small error on the display because of the difficulty in achieving accurate initial positioning of the antenna unit. The following adjustment will compensate for this error.

1. Turn on the power while pressing and holding down the [MENU/ESC] key. Continue pressing the [MENU/ESC] key until the Installation menu appears.



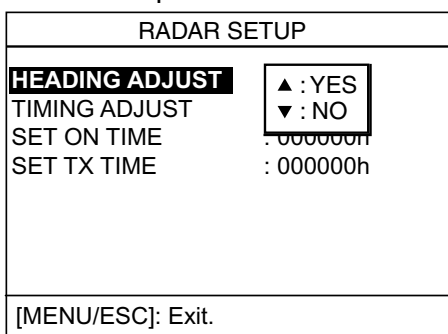
Installation menu

2. Press ▼ to choose GOTO RADAR SETUP.
3. Press ►. Power is then reset.
4. Wait one minute, press the [POWER/BRILL] key followed by the [MODE] key to transmit.
5. Press the [MENU/ESC] key to show the User menu.
6. Press ► to show the Radar Setup menu.



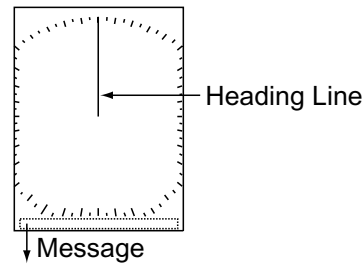
Radar setup menu

7. HEADING ADJUST is selected; press ► to show the options window.



Radar setup menu (heading adjust)

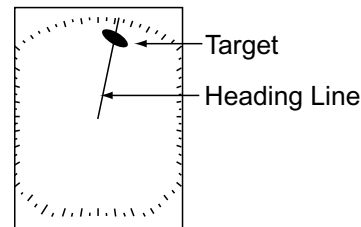
8. Press ▲ to choose YES, and the display now looks as below.



HEADING LINE ADJUSTMENT BY '←' AND '→' KEYS. THEN PUSH MODE KEY TO SET.

Heading adjustment display

9. Visually identify a suitable target (for example, ship or buoy) at a range between 0.125 to 0.25 miles.
10. Point your boat's bow directly toward the target selected at step 9.
11. Locate the target selected at step 9 on the display and choose a range which places it in the outer half of the picture.
12. Press ◀ or ▶ to bisect the target with the heading line.



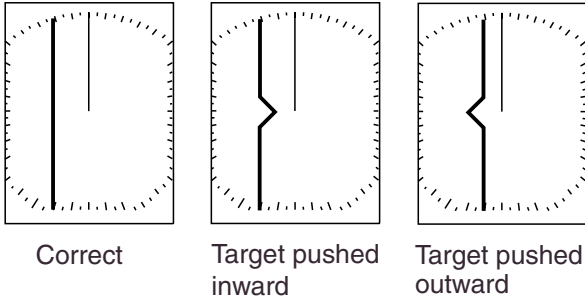
Heading adjustment display

13. Press the [MODE] key.
14. Press the [MENU/ESC] key to return to the Installation menu.
15. Move the boat towards a small buoy and confirm that the buoy shows up dead ahead on the radar when it is visually dead ahead.

3. INSTALLATION

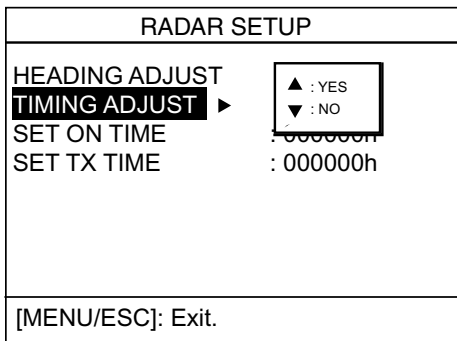
Timing adjustment

Sweep timing differs with respect to the length of the antenna cable. Adjust sweep timing to prevent pushing or pulling of the target as illustrated below and placement of targets at incorrect ranges.



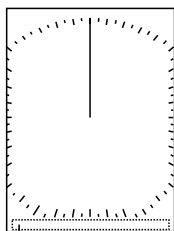
Improper and correct sweep timings

1. Transmit on a range between 0.125 and 0.5 nm and adjust the sensitivity and A/C SEA. (See page 4 and 5 for procedure.)
2. Choose TIMING ADJUST from the Radar Setup menu and press ►.



Radar setup menu (timing adjust)

3. Press ▲ to choose YES, and the display now looks as below.



SWEEP TIMING ADJUSTMENT BY
'▲' AND '▼' KEYS.
THEN PUSH MODE KEY TO SET.

Timing adjustment display

4. Find a target which should be "straight" (harbor wall, straight pier) on the radar display.

5. While looking at the target selected at step 4, straighten it by pressing ▲ or ▼.
6. Press the [MODE] key.
7. Press the [MENU/ESC] key to return to the Installation menu to complete the procedure below, or shut off the power if no external equipment is connected.

NMEA port setup, GPS WAAS setup

The NMEA port can function as an input port or input/output port.

If you are using the GP-320B, turn on the GPS WAAS feature.

1. Show the Installation menu and then press ▼ to choose NMEA PORT.
2. Press ► to display the NMEA port options window.
3. Press ▲ or ▼ to choose IN/OUT or IN/IN as appropriate.

IN/OUT: Input and Output (default setting).

For GP-320B choose this setting.

IN/IN: Input only (Available with connection of multiple navigators.)

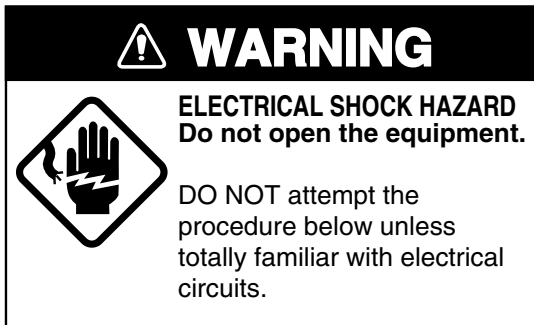
4. If you selected IN/OUT at step 3, press ◀, ▼ to choose NMEA OUTPUT, and then press ► to display the NMEA OUTPUT options window.
5. Press ▲ or ▼ to choose OFF or ON. Choose ON to output input data. Choose OFF to not output data or if the GP-310B or GP-320B is connected.
6. Press ◀ to close the window.
7. If the GP-320B is connected, press ▼ to choose GPS WAAS. Otherwise, go to step 10.
8. Press ► to open the window.
9. Press ▲ to choose message type.

Note: WAAS is currently in the developmental stage. While in the developmental stage choose message type 02. Change to message type 00 when WAAS becomes fully operational.

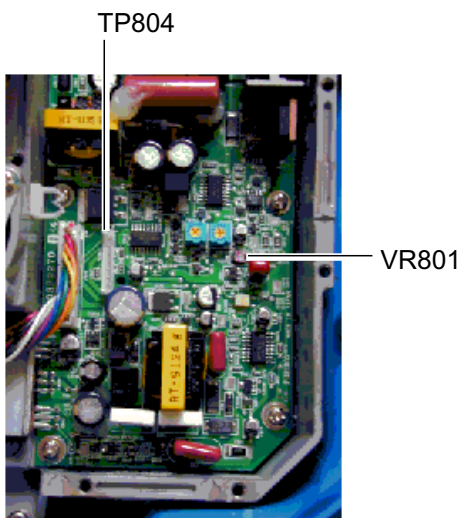
10. Turn off the power.

3.5 Magnetron Heater Voltage

Magnetron heater voltage is formed at the MD Board of the antenna unit and is preadjusted at the factory. Therefore, no adjustment is required. However, verify the voltage as below.



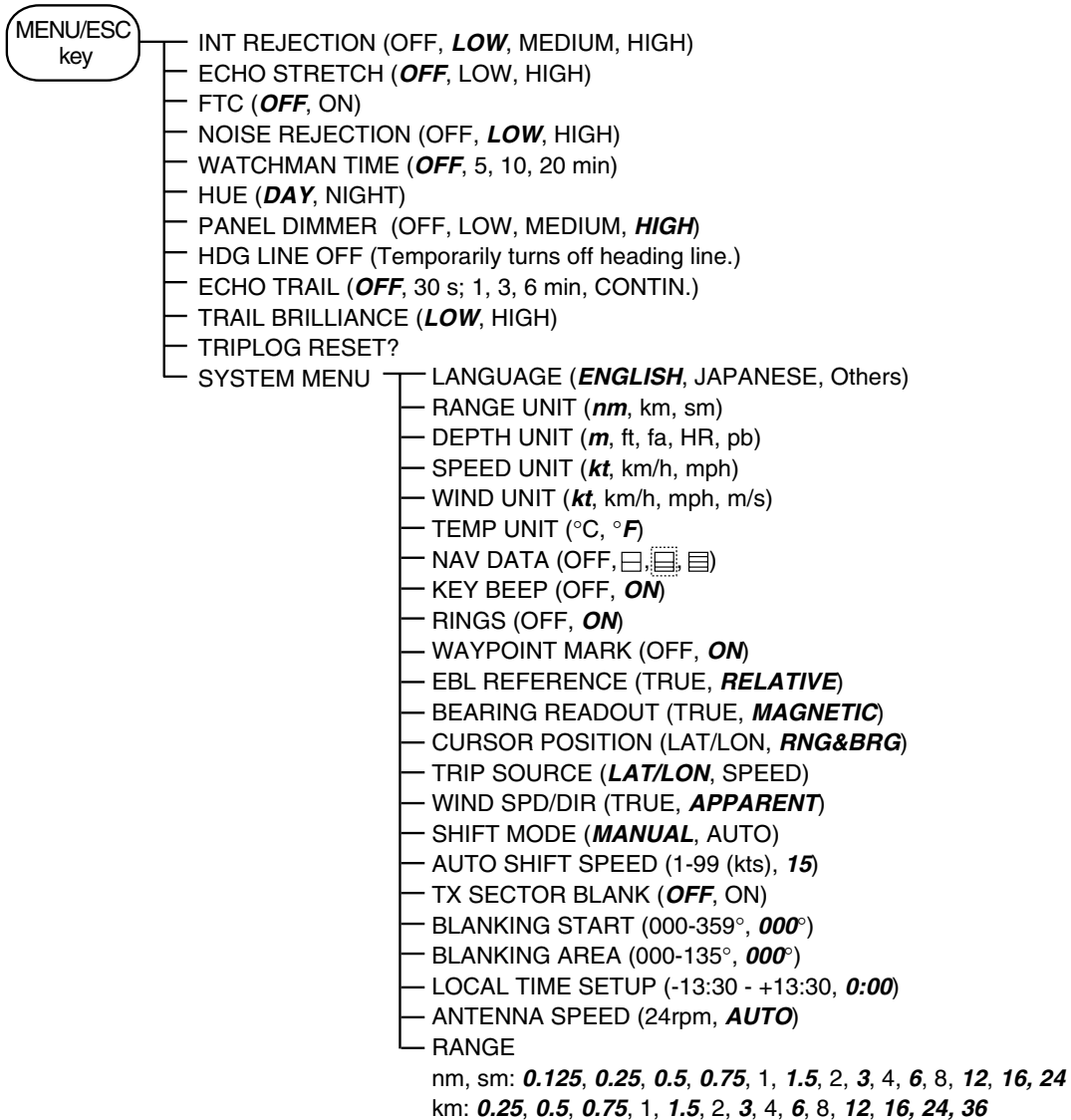
1. Open the antenna cover and open the shield plate.
2. Turn on the power. **DO NOT transmit.**
3. Connect a multimeter, set to 10 VDC range, between #6 (+) and #4 (-) of test point TP804 on the MD Board.



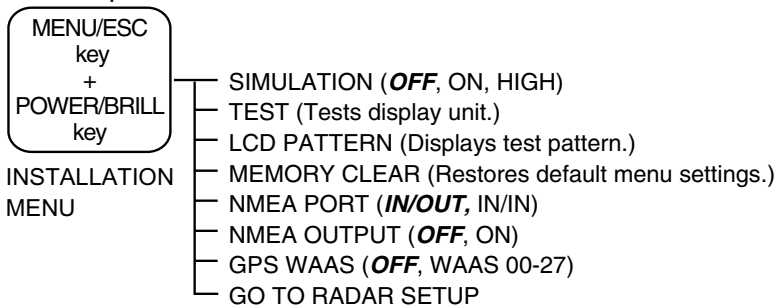
MD board

4. Confirm that the multimeter shows 8.0 V ± 0.1 V. If it does not, adjust potentiometer VR801 on the MD Board.
5. Turn off the power.
6. Fasten the shield plate.
7. Close the antenna cover.

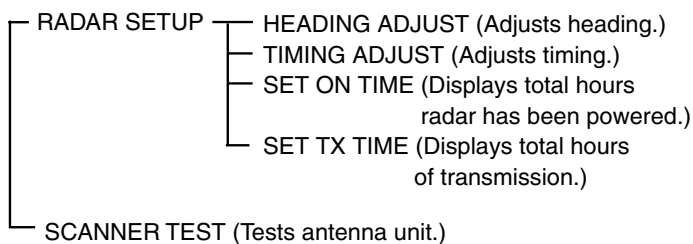
MENU TREE



Turn on power



Choose GO TO RADAR SETUP from the INSTALLATION menu, and then go to page 4 of the SYSTEM menu.



SPECIFICATIONS

1. GENERAL

- 1.1 Indication System PPI daylight display, raster scan, 4 tones in monochrome
- 1.2 Range, Pulselength (PL) & Pulse Repetition Rate (PRR)

Range (nm)	0.125, 0.25, 0.5, 0.75	1, 1.5, 2	3, 4, 6, 8, 12, 16, 24, 32
Pulse Length	0.08 μ s (short)	0.3 μ s (medium)	0.8 μ s (long)
Pulse Repetition Rate	3000 Hz nominal	1200 Hz nominal	600 Hz nominal

- 1.3 Range Resolution 18 m
- 1.4 Bearing Discrimination 5.2°
- 1.5 Minimum Range 20 m
- 1.6 Bearing Accuracy Within 1°
- 1.7 Range Ring Accuracy 1.0 % of range or 8 m, whichever is the greater

2. ANTENNA UNIT

- 2.1 Radiator Micro-strip
- 2.2 Polarization Horizontal
- 2.3 Antenna Rotation Speed 24/31/41 rpm nominal (auto-select according to range)
- 2.4 Radiator Length 45 cm
- 2.5 Horizontal Beamwidth 5.2° typical
- 2.6 Vertical Beamwidth 25°
- 2.7 Sidelobe Attenuation Less than -20 dB

3. TRANSCEIVER MODULE

- 3.1 Frequency 9410 MHz \pm 30MHz (X-band)
- 3.2 Modulation P0N
- 3.3 Peak Output Power 2.2 kW
- 3.4 Modulator FET Switching Method
- 3.5 Intermediate Frequency 60 MHz
- 3.6 Tuning Automatic
- 3.7 Receiver Front End MIC (Microwave IC)
- 3.8 Bandwidth 15 MHz (short pulse), 5 MHz (medium/long pulse)
- 3.9 Duplexer Circulator with diode limiter
- 3.10 Warm-up Time 1-min. approx.

4. DISPLAY UNIT

- 4.1 Picture Tube 7" rectangular monochrome LCD
- 4.2 Display Pixels 240(H) x 320(V) dots,
Effective radar display area: 240x240 dots
- 4.3 Range, Range Interval, Number of Rings

Range (nm/km)	0.125	0.25	0.5	0.75	1	1.5	2	3	4	6	8	12	16	24	32
Ring Interval	0.0625	0.125	0.125	0.25	0.25	0.5	0.5	1	1	2	2	3	4	6	8
Number of Rings	2	2	4	3	4	3	4	3	4	3	4	4	4	4	4

Range unit: nm/sm/km selectable, 0.125: nm/sm only, 32: km only

- | | | |
|-----|--------------------------|--|
| 4.4 | Markers | Heading Line, Bearing Scale, Range Rings, Variable Range Marker (VRM), Electronic Bearing Line (EBL), Tuning Bar, Cursor, Parallel Cursor, Alarm Zone, Waypoint Mark*, North Mark* |
| 4.5 | Alphanumeric Indications | Range, Range Ring Interval, Display Mode (HU), Interference Rejection (IR), Variable Range Marker (VRM), Electronic Bearing Line (EBL), Stand-by (ST-BY), Guard Alarm (G (IN), G (OUT), UP RANGE), Echo Stretch (ES), Range and Bearing to Cursor, Bearing or L/L Position, Echo Tailing (TRAIL), Trailing Time, Trailing Elapsed Time, Watchman (WATCHMAN), Zoomed Display (ZOOM), Navigation Data*, Heading* *: external data required |
| 4.6 | Input Sentences | IEC61162, NMEA0183 (Ver1.5/2.0) GGA, RMC, RMA, RMB, GLL, VTG, VBW, VHW, HDT, HDG, HDM, BWR, BWC, GLC, GTD, DPT, DBK, DBS, DBT, MTW, ZDA, MWV, XTE |
| 4.7 | Output Sentences | IEC 61162, NMEA 0183 (Ver3.0)
TLL (by key operation) |

5. ENVIRONMENTAL CONDITIONS

- | | | |
|-----|---------------------|---|
| 5.1 | Ambient Temperature | Antenna Unit: -25°C to +70°C, Display Unit: -15°C to +55°C |
| 5.2 | Relative Humidity | 95% or less at +40°C |
| 5.3 | Waterproofing | Antenna Unit: IPX6
Display Unit: IPX5 (IPX0 when an external buzzer installed) |
| 5.4 | Bearing Vibration | IEC 60945 |

6. POWER SUPPLY

12-24 VDC: 3.2-1.4 A

7. COATING COLOR

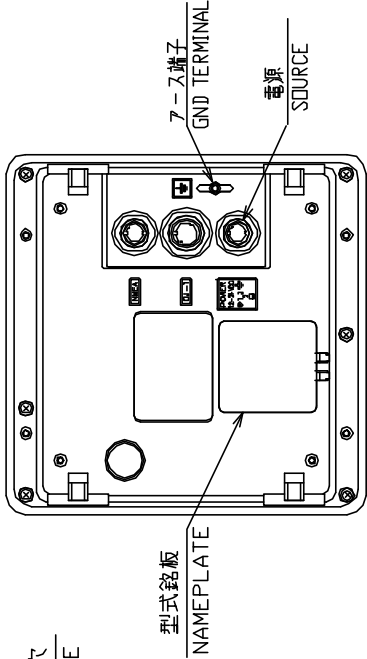
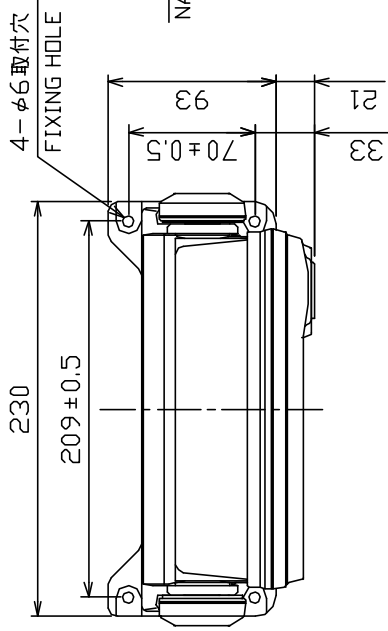
- | | | |
|-----|--------------|-----------------------------------|
| 7.1 | Display Unit | N3.0 |
| 7.2 | Scanner Unit | Cover: N9.5, Bottom: 2.5PB 3.5/10 |

8. COMPASS SAFE DISTANCE

- | | | | |
|-----|--------------|------------------|------------------|
| 8.1 | Display Unit | Standard: 0.60 m | Steering: 0.40 m |
| | Scanner Unit | Standard: 1.25 m | Steering: 0.85 m |

寸法区分 (mm)	公差 (mm)
DIMENSION	TOLERANCE
$L \leq 50$	± 1.5
$50 < L \leq 100$	± 2.5
$100 < L \leq 500$	± 3

表 1 TABLE 1

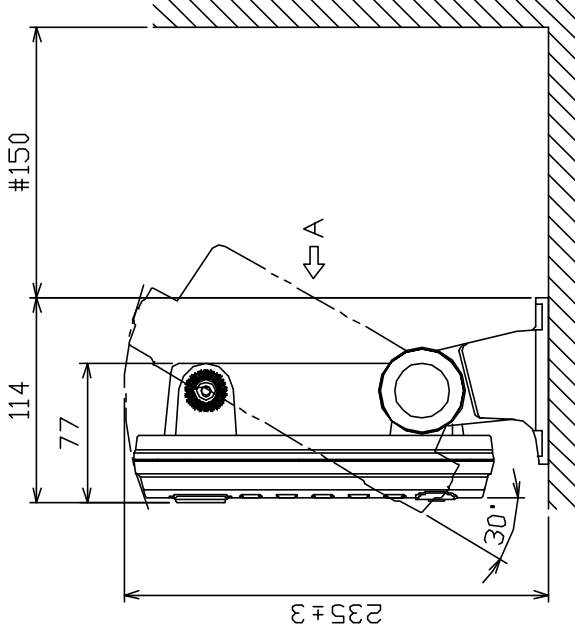
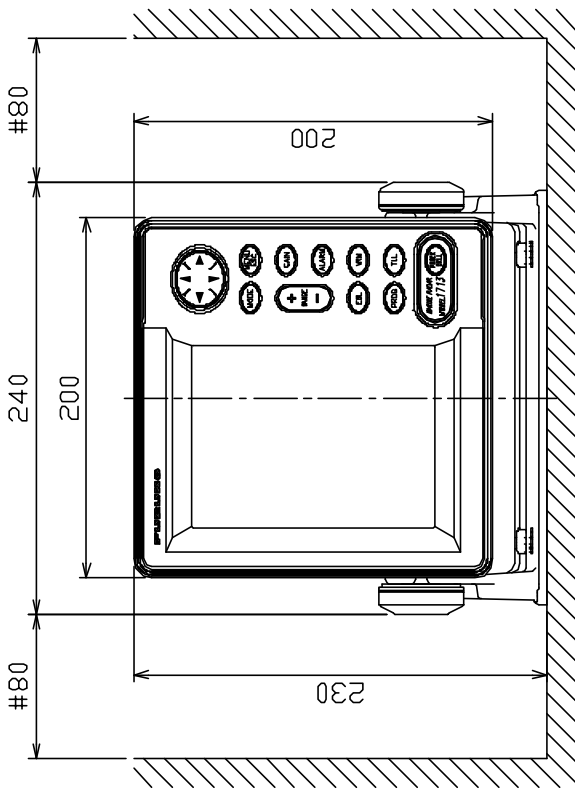


矢視A
VIEW A

型式銘板
NAMEPLATE

7-端子
GND TERMINAL

電源
SOURCE



注 記 1) #印寸法は最小サービスクリアランスとする。

2) 指定外の寸法公差は表1による。

3) 取付用ネジはトラスタック呼び径5×20を使用のこと。

NOTE 1. #: RECOMMENDED SERVICE CLEARANCE.

2. TBLE 1 INDICATES TOLERANCE OF DIMENSIONS.

3. USE TAPPING SCREWS 5X20 FOR FIXING THE UNIT.

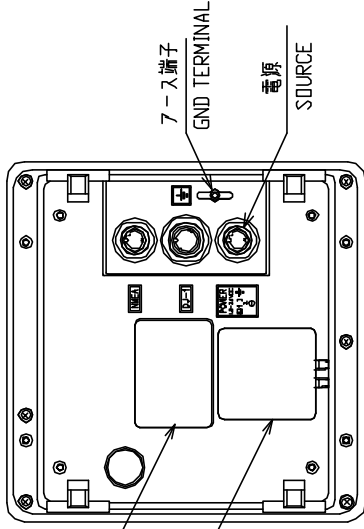
DRAWN	H. MAKI	TITLE	RDP-142
CHECKED		名称	指示部 (卓上装備)
APPROVED		外寸図	
SCALE	1/4	MODEL L715	DISPLAY UNIT (DESKTOP MOUNT)
DWG. No.	C3514-G01-A	質量は付属ネジを含みません。 MASS V/O: ACCESSORY DIVER.	OUTLINE DRAWING

寸法区分 (mm)	公差 (mm)
DIMENSIONS	TOLERANCE
$L \leq 50$	± 1.5
$50 < L \leq 100$	± 2.5
$100 < L \leq 500$	± 3

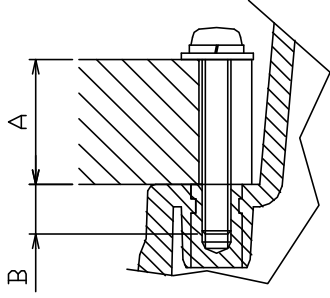
表 1 TABLE 1

警告ラベル
SAFETY INSTRUCTIONS

型式銘板
NAMEPLATE

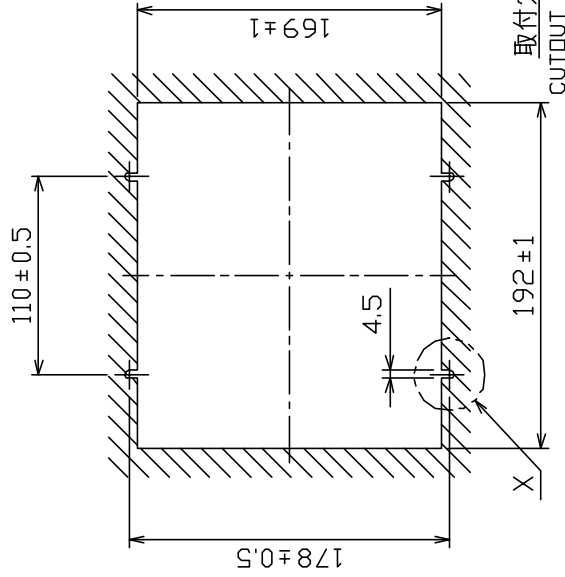
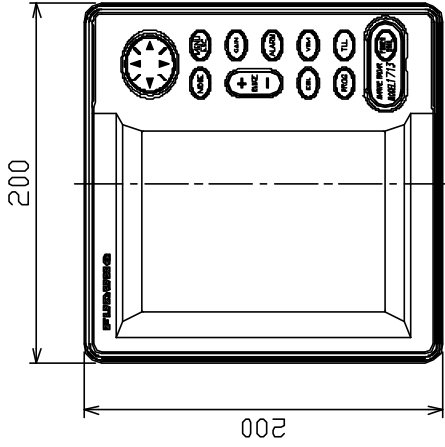
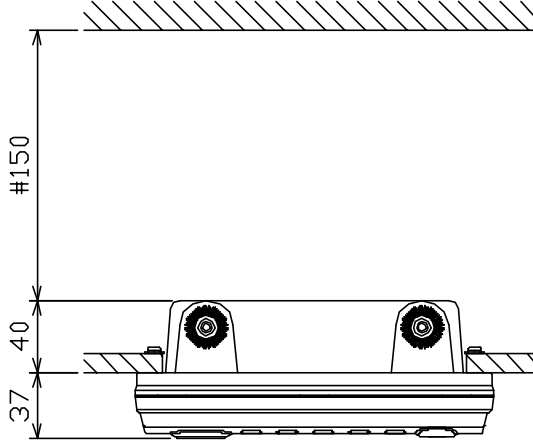
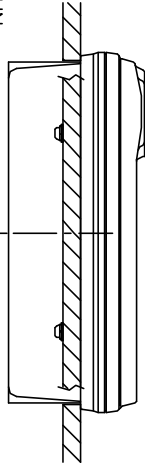


背面
REAR



取付ネジ部断面 (尺度 1/1)
DETAIL OF FASTENING

X部詳細 (尺度 1/1)
DETAIL X (SCALE 1/1)



取付穴寸法図
CUTOUT DIMENSIONS

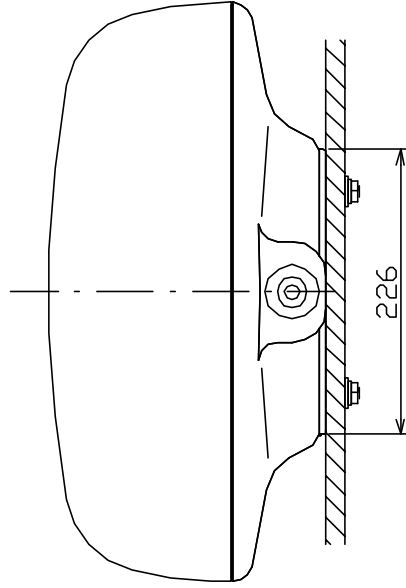
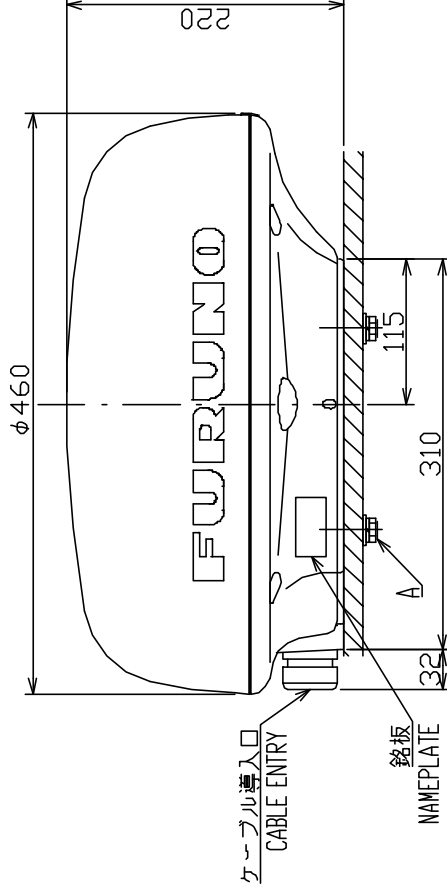
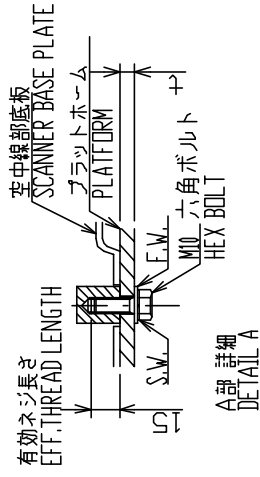
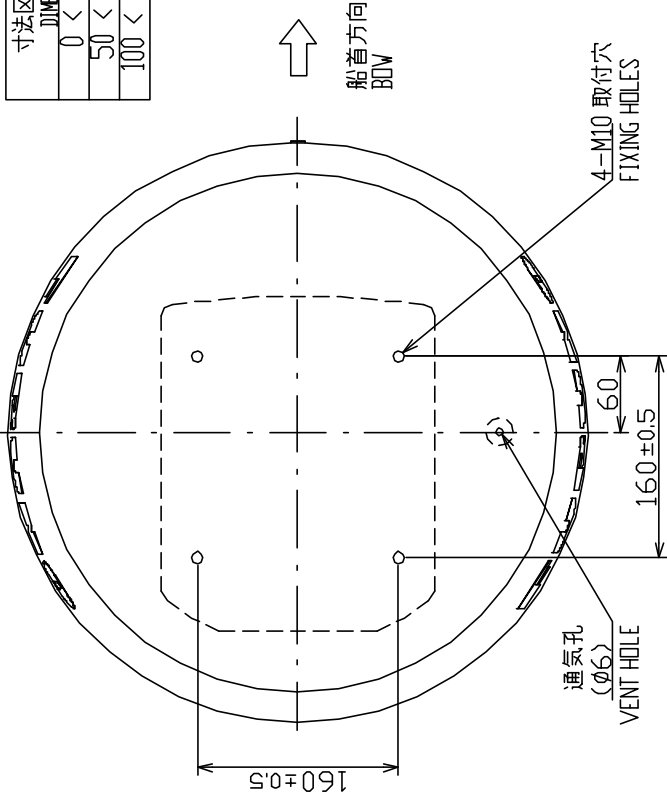
- 注 記
- 1) 印寸法は最小サービスイテ空間寸法とする。
 - 2) 指定外の寸法公差は表1による。
 - 3) 取付用ネジは、セムネジB M4×20を使用のこと。
 断の長さ (A) は最小1.1最大1.4とする。
 上記以外の壁に装着する場合は、使用するネジの長さは (A+7.8) ±2とする。(セムネジBを使用)
 筐体にはネジ部を8mm以上入れないこと。(B=MA×8)

- NOTE
1. #1 RECOMMENDED SERVICE CLEARANCE.
 2. TABLE 1 INDICATES TOLERANCE OF DIMENSIONS.
 3. USE M4×20 SCREWS FOR FIXING THE UNIT.
 THICKNESS A: $11 \leq A \leq 14$ OR SCREW LENGTH: $(A+7.8) \pm 2$.
 DO NOT FASTEN SCREWS INTO UNIT MORE THAN 8 mm (B≤8)

DRAWN	H. MAKI	TITLE	RDP-142
CHECKED		名称	指示部 (埋込装備)
APPROVED		外寸図	
SCALE	1/4	MODEL 1715	
FIG. No	C3514-G02-A	質量は付属カバーを含まず。 MASS V/O ACCESSORY COVER.	
		DISPLAY UNIT (FLUSHMOUNT)	
		OUTLINE DRAWING	

寸法区分(mm) DIMENSION	公差(mm) TOLERANCE
0 < L ≤ 50	±1.5
50 < L ≤ 100	±2.5
100 < L ≤ 500	±3

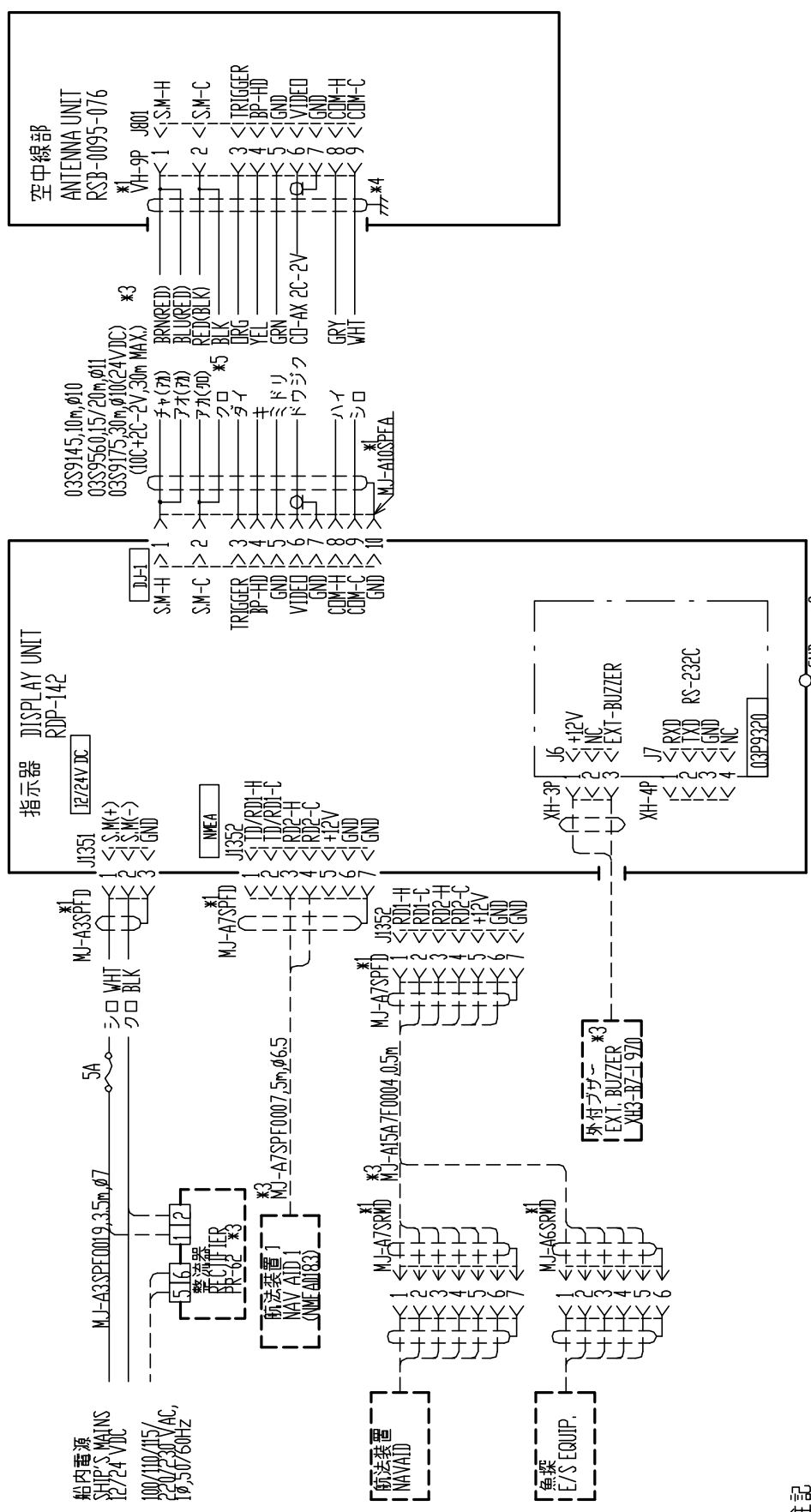
表1 TABLE1



- 注記
- 1) 指定外の寸法公差は表1による。
 - 2) 取付はM10ボルトを使用のこと。
ネジ長さは板厚tに応じて、 $20 (t \leq 5)$ または $25 (5 < t \leq 10)$ とする。

- NOTE
1. TABLE 1 INDICATES TOLERANCE OF DIMENSIONS.
 2. USE M10 BOLTS FOR FIXING UNIT.
THREAD LENGTH: $20 (t \leq 5)$ OR $25 (5 < t \leq 10)$. t: THICKNESS OF PLATFORM

DRAWN FURUNO	T. YAMASAKI	TITLE RSB-0087/0087A
CHECKED		名称 空中線部
APPROVED		外寸図
SCALE 1/6	MODEL 1/22 AT22C MODEL 1/22	NAME ANTENNA UNIT
DWGNO. C3489-G02-C	03-151-3000-G3	OUTLINE DRAWING



注記
 *1) 工場にて取付済み。
 *2) 造船所支給。
 *3) オプション。
 *4) 空中線部のシールドは完全にアースする。
 *5) (): 03S9560の芯線色を示す。

NOTE
 *1. FITTED AT FACTORY.
 *2. SHIPYARD SUPPLY.
 *3. OPTION.
 *4. GROUND EFFECTIVELY AT SCANNER UNIT.
 *5. (): WIRE COLOR OF 03S9560.

DRAWN	H. MAKI	TITLE	MODEL 1715
CHECKED		名称	船舶用レーダー
APPROVED			相互結線図
SCALE	MASS kg	NAME	MARINE RADAR
DWG.No.	C3514-C01-A		INTERCONNECTION DIAGRAM