

Futurelight®

BEDIENUNGSANLEITUNG

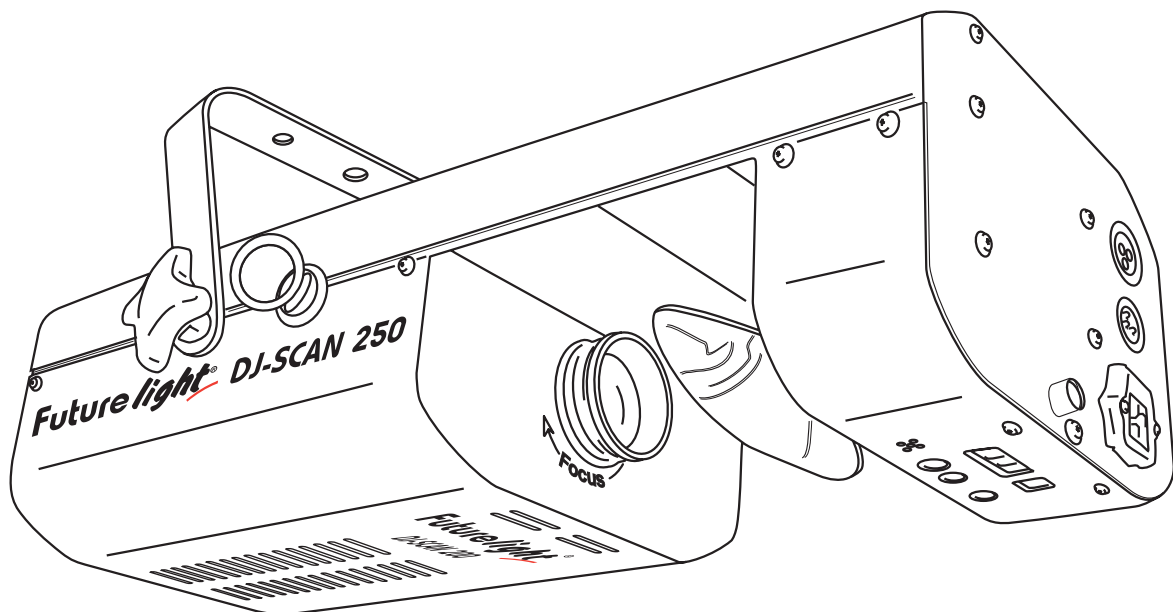
USER MANUAL

MODE D'EMPLOI

MANUAL DEL USUARIO

DJ-SCAN 250

DMX-Scanner



Für weiteren Gebrauch aufbewahren!
Keep this manual for future needs!
Gardez ce mode d'emploi pour des
utilisations ultérieures!
Guarde este manual para posteriores usos.

CE

© Copyright
Nachdruck verboten!
Reproduction prohibited!
Réproduction interdit!
Prohibida toda reproducción.

MULTI-LANGUAGE-INSTRUCTIONS

Table of contents

EINFÜHRUNG	FEHLER! TEXTMARKE NICHT DEFINIERT.
SICHERHEITSHINWEISE	FEHLER! TEXTMARKE NICHT DEFINIERT.
BESTIMMUNGSGEMÄÙE VERWENDUNG	FEHLER! TEXTMARKE NICHT DEFINIERT.
GERÄTEBESCHREIBUNG	FEHLER! TEXTMARKE NICHT DEFINIERT.
Features	Fehler! Textmarke nicht definiert.
Geräteübersicht	Fehler! Textmarke nicht definiert.
INSTALLATION	FEHLER! TEXTMARKE NICHT DEFINIERT.
Lampeninstallation/Lampenwechsel	Fehler! Textmarke nicht definiert.
Lampenjustierung	Fehler! Textmarke nicht definiert.
Überkopfmontage	Fehler! Textmarke nicht definiert.
Master/Slave-Betrieb	Fehler! Textmarke nicht definiert.
Blackout-Buchse	Fehler! Textmarke nicht definiert.
Anschluss an den DMX-512 Controller / Verbindung Projektor - Projektor	Fehler! Textmarke nicht
definiert.	
Anschluss ans Netz	Fehler! Textmarke nicht definiert.
BEDIENUNG	FEHLER! TEXTMARKE NICHT DEFINIERT.
Stand Alone-Betrieb	Fehler! Textmarke nicht definiert.
DMX-gesteuerter Betrieb	Fehler! Textmarke nicht definiert.
Adressierung des Projektors	Fehler! Textmarke nicht definiert.
DMX-Protokoll	Fehler! Textmarke nicht definiert.
REINIGUNG UND WARTUNG	FEHLER! TEXTMARKE NICHT DEFINIERT.
Sicherungswechsel	Fehler! Textmarke nicht definiert.
TECHNISCHE DATEN	FEHLER! TEXTMARKE NICHT DEFINIERT.

English

INTRODUCTION	4
SAFETY INSTRUCTIONS	4
OPERATING DETERMINATIONS	5
DESCRIPTION OF THE DEVICE	6
Features	6
Overview	7
INSTALLATION	8
Installing/Replacing the lamp	8
Lamp adjustment	9
Overhead rigging	9
Master/Slave-operation	10
Blackout-socket	10
DMX-512 connection / connection between fixtures	11
Connection with the mains	11
OPERATION	12
Stand Alone operation	12
DMX-controlled operation	12
Addressing	12
DMX-protocol	13
CLEANING AND MAINTENANCE	14
Replacing the fuse	15
TECHNICAL SPECIFICATIONS	15

Français

INTRODUCTION	FEHLER! TEXTMARKE NICHT DEFINIERT.
INSTRUCTIONS DE SÉCURITÉ	FEHLER! TEXTMARKE NICHT DEFINIERT.
EMPLOI SELON LES PRESCRIPTIONS	FEHLER! TEXTMARKE NICHT DEFINIERT.
DESCRIPTION DE L'APPAREIL	FEHLER! TEXTMARKE NICHT DEFINIERT.
Features	Fehler! Textmarke nicht definiert.
Aperçue des parties	Fehler! Textmarke nicht definiert.
INSTALLATION	FEHLER! TEXTMARKE NICHT DEFINIERT.
Installer/Remplacer la lampe	Fehler! Textmarke nicht definiert.
Ajustage de la lampe	Fehler! Textmarke nicht definiert.
Montage par dessus de la tête	Fehler! Textmarke nicht definiert.
Opération Master/Slave	Fehler! Textmarke nicht definiert.
Douille Blackout	Fehler! Textmarke nicht definiert.
Connexions au contrôleur DMX-512 / raccord projecteur - projecteur ...	Fehler! Textmarke nicht definiert.
Alimentation	Fehler! Textmarke nicht definiert.
MANIEMENT	FEHLER! TEXTMARKE NICHT DEFINIERT.
Opération Stand Alone	Fehler! Textmarke nicht definiert.
Contrôle par DMX	Fehler! Textmarke nicht definiert.
Codage du projecteur	Fehler! Textmarke nicht definiert.
Protocôle DMX	Fehler! Textmarke nicht definiert.
NETTOYAGE ET MAINTENANCE	FEHLER! TEXTMARKE NICHT DEFINIERT.
Remplacer le fusible	Fehler! Textmarke nicht definiert.
CARACTÉRISTIQUES TECHNIQUES	FEHLER! TEXTMARKE NICHT DEFINIERT.

Español

INTRODUCCIÓN	FEHLER! TEXTMARKE NICHT DEFINIERT.
INSTRUCCIONES DE SEGURIDAD	FEHLER! TEXTMARKE NICHT DEFINIERT.
INSTRUCCIONES DE MANEJO	FEHLER! TEXTMARKE NICHT DEFINIERT.
DESCRIPCIÓN DEL APARATO	FEHLER! TEXTMARKE NICHT DEFINIERT.
Features	Fehler! Textmarke nicht definiert.
Descripción de las partes	Fehler! Textmarke nicht definiert.
INSTALACIÓN	FEHLER! TEXTMARKE NICHT DEFINIERT.
Instalar/Reemplazar la lámpara	Fehler! Textmarke nicht definiert.
Montaje por encima de la cabeza	Fehler! Textmarke nicht definiert.
Operación Master/Slave	Fehler! Textmarke nicht definiert.
Casquillo Blackout	Fehler! Textmarke nicht definiert.
Conexión al controlador DMX / conexión proyector - proyector	Fehler! Textmarke nicht definiert.
Alimentación	Fehler! Textmarke nicht definiert.
OPERACIÓN	FEHLER! TEXTMARKE NICHT DEFINIERT.
Operación Stand Alone	Fehler! Textmarke nicht definiert.
Control por DMX	Fehler! Textmarke nicht definiert.
Direccionamiento del proyector	Fehler! Textmarke nicht definiert.
Protocolo DMX	Fehler! Textmarke nicht definiert.
LIMPIEZA Y MANTENIMIENTO	FEHLER! TEXTMARKE NICHT DEFINIERT.
Reemplazar el fusible	Fehler! Textmarke nicht definiert.
ESPECIFICACIONES TÉCNICAS	FEHLER! TEXTMARKE NICHT DEFINIERT.

Das neueste Update dieser Bedienungsanleitung finden Sie im Internet unter:

You can find the latest update of this user manual in the Internet under:

Vous pouvez trouvez la dernière version de ce mode d'emploi dans l'Internet sous:

Vd. puede encontrar la versión más reciente de este manual en el Internet bajo:

www.futurelight.com

USER MANUAL

Futurelight®

DJ-SCAN 250 DMX-Scanner



CAUTION!

Keep this device away from rain and moisture!
Unplug mains lead before opening the housing!

For your own safety, please read this user manual carefully before you initial start-up.

Every person involved with the installation, operation and maintenance of this device has to

- be qualified
- follow the instructions of this manual
- consider this manual to be part of the total product
- keep this manual for the entire service life of the product
- pass this manual on to every further owner or user of the product
- include every supplementay update with the original manual

INTRODUCTION

Thank you for having chosen a FUTURELIGHT DJ-SCAN 250. You will see you have acquired a powerful and versatile device.

Unpack your DJ-SCAN 250.

Before you initial start-up, please make sure that there is no damage caused by transportation. Should there be any, consult your dealer and do not use the device.

SAFETY INSTRUCTIONS



CAUTION!

Be careful with your operations. With a dangerous voltage you can suffer a dangerous electric shock when touching the wires!

This device has left our premises in absolutely perfect condition. In order to maintain this condition and to ensure a safe operation, it is absolutely necessary for the user to follow the safety instructions and warning notes written in this user manual.



Important:

Damages caused by the disregard of this user manual are not subject to warranty. The dealer will not accept liability for any resulting defects or problems.

If the device has been exposed to drastic temperature fluctuation (e.g. after transportation), do not switch it on immediately. The arising condensation water might damage your device. Leave the device switched off until it has reached room temperature.

This device falls under protection-class I. The power plug must only be plugged into a protection class I outlet.

Never let the power-cord come into contact with other cables! Handle the power-cord and all connections with the mains with particular caution!

Make sure that the available voltage is not higher than stated on the rear panel.

Make sure that the power-cord is never crimped or damaged by sharp edges. Check the device and the power-cord from time to time.

Always disconnect from the mains, when the device is not in use or before cleaning it. Only handle the power-cord by the plug. Never pull out the plug by tugging the power-cord.

During the initial start-up some smoke or smell may arise. This is a normal process and does not necessarily mean that the device is defective.

Caution: During the operation, the housing becomes very hot.

Do not switch the device on and off in short intervals as this would reduce the lamp's life.



HEALTH HAZARD!

Never look directly into the light source, as sensitive persons may suffer an epileptic shock (especially meant for epileptics)!

Keep away children and amateurs!

OPERATING DETERMINATIONS

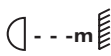
This device is a lighting effect for creating decorative effects. This product is only allowed to be operated with an alternating voltage of 230 V, 50 Hz and was designed for indoor use only.

This device is designed for professional use, e.g. on stages, in discotheques, theatres etc.

Lighting effects are not designed for permanent operation. Consistent operation breaks will ensure that the device will serve you for a long time without defects.

Do not shake the device. Avoid brute force when installing or operating the device.

When choosing the installation-spot, please make sure that the device is not exposed to extreme heat, moisture or dust. There should not be any cables lying around. You endanger your own and the safety of others!

The symbol  determines the minimum distance from lighted objects. The minimum distance between light-output and the illuminated surface must be more than 0.5 meters.

This device is only allowed for suspended installation via the mounting bracket. In order to safeguard sufficient ventilation, leave 50 cm of free space around the device.

Make sure that the area below the installation place is blocked when rigging, derigging or servicing the fixture.

Always fix the fixture with an appropriate safety-rope.

The maximum ambient temperature $t_a = 45^\circ \text{C}$ must never be exceeded.

Operate the device only after having become familiar with its functions. Do not permit operation by persons not qualified for operating the device. Most damages are the result of unprofessional operation!

Please use the original packaging if the device is to be transported.

Please consider that unauthorized modifications on the device are forbidden due to safety reasons!

Never remove the serial barcode from the device as this would make the guarantee void.

If this device will be operated in any way different to the one described in this manual, the product may suffer damages and the guarantee becomes void. Furthermore, any other operation may lead to dangers like short-circuit, burns, electric shock, lamp explosion, crash etc.

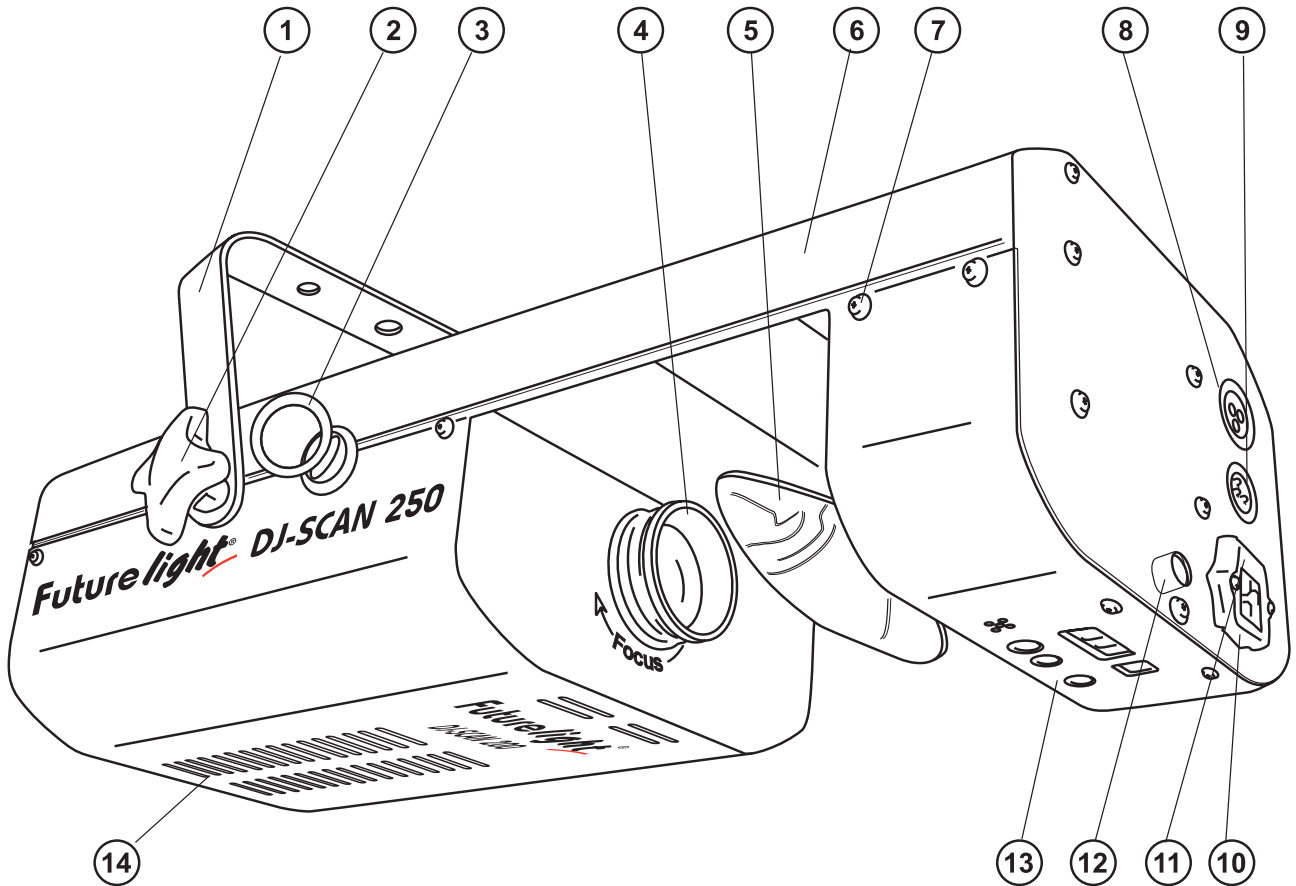
DESCRIPTION OF THE DEVICE

Features

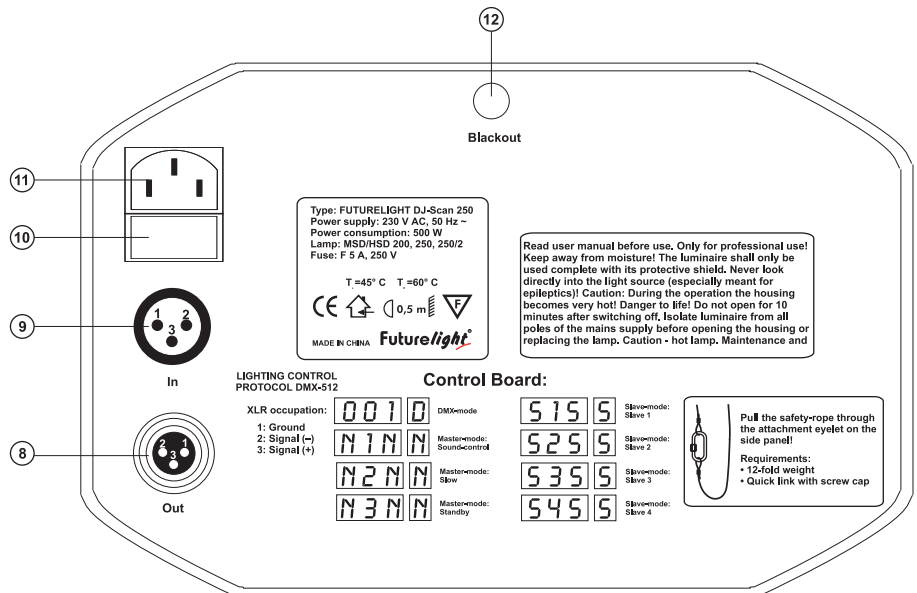
Innovative DJ-scanner with rotating gobos

7 different, dichroic colour-filtres and white • Rainbow-effect with adjustable speed in both directions • Gobo-wheel with 7 rotating gobos, open and blackout • Strobe-effect with adjustable speed (1-10 flashes/sec.) via shutter • DMX-controlled operation or stand alone operation with Master/Slave-function (up to 4 slaves) • Sound-controlled via built-in microphone • Fuzzy-Sound-Control: program continues automatically during periods without music or bass-beat • Control-Board with 4-digit display • Manual focus • For MSD/HSD 250, MSD 250/2 or MSD/HSD 200 lamp • DMX-control via every standard DMX-controller • 6 DMX-control-channels required

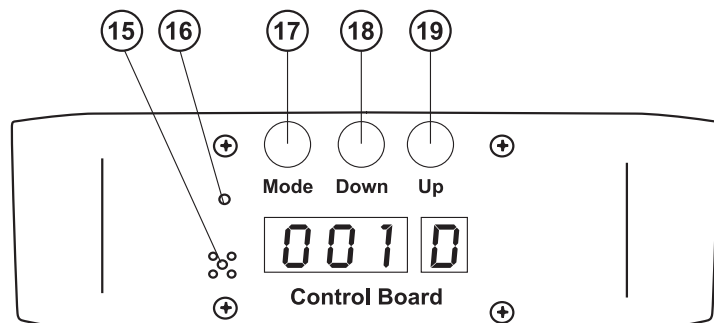
Overview



- (1) Mounting bracket
- (2) Fixation screw
- (3) Safety eyelet
- (4) Objective-lens/Focus
- (5) Mirror
- (6) Housing cover
- (7) Housing screws
- (8) DMX-Out socket
- (9) DMX-In socket
- (10) Power supply
- (11) Fuseholder
- (12) Blackout-socket
- (13) Control Board
- (14) Venting slots



- (15) Control LED
- (16) Microphone
- (17) Mode-button
- (18) Down-button
- (19) Up-button



INSTALLATION

Installing/Replacing the lamp



DANGER TO LIFE!

Only install the lamp with the device switched off!
Unplug from mains before!

For the installation, you need one MSD/HSD 200 GY-9.5, MSD/HSD 250 GY-9.5 or MSD 250/2 GY-9.5 lamp.

The lamp must only be changed when wearing appropriate protective clothing (protection glasses, protection gloves, helmet with sight, leather apron).



CAUTION!

The lamp has to be replaced when it is damaged
or deformed due to the heat!

The lamp life given by the manufacturer must never be exceeded. This is why you need to take notes on the operational time of the lamp and replace the lamp in time.

Keep exchanged lamp in a protective container and remove accordingly.

During the operation, the lamp reaches temperatures of up to 600° C.

Before replacing the lamp, unplug mains lead and let the lamp cool down (approx. 10 minutes).

During the installation do not touch the glass-bulbs bare-handed! Please follow the lamp manufacturer's notes!

Do not install lamps with a higher wattage! Lamps with a higher wattage generate temperatures the device was not designed for. Damages caused by non-observance are not subject to warranty.

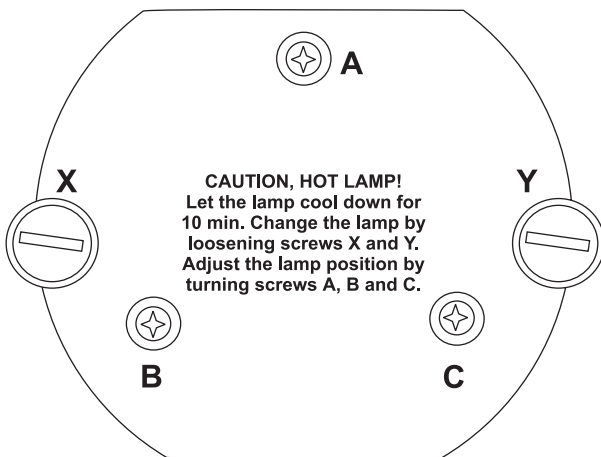
Procedure:

- Step 1:** Unscrew the fixation screws X, Y of the lamp system and carefully remove it from the housing.
- Step 2:** If replacing the lamp, remove the old lamp from the lamp holder.
- Step 3:** Insert the lamp into the lamp holder.
- Step 4:** Replace the lamp system in the housing and tighten the fixation screws.
- Step 5:** Adjust the lamp as described under lamp adjustment.



Do not operate this device with opened cover!

Lamp adjustment



The lampholder is aligned at the factory. Due to differences between lamps, fine adjustment may improve light performance.

Strike the lamp, open the shutter, set the dimmer intensity to 100 % and focus the light on a flat surface (wall). Center the hot-spot (the brightest part of the beam) using the 3 adjustment screws "A, B, C". Turn one screw at a time to drag the hot-spot diagonally across the projected image. If you cannot detect a hot-spot, adjust the lamp until the light is even.

To reduce a hot-spot, pull the lamp in by turning all three screws "A, B, C" clockwise $\frac{1}{4}$ -turn at a time until the light is evenly distributed.

If the light is brighter around the edge than it is in the center, or if light output is low, the lamp is too far back in the reflector. "Push" the lamp out by turning the screws "A, B, C" counterclockwise $\frac{1}{4}$ -turn at a time until the light is bright and evenly distributed.

Overhead rigging



DANGER TO LIFE!

Please consider the DIN 15560 and the respective national norms during the installation! The installation must only be carried out by an authorized dealer!

The installation of the device has to be built and constructed in a way that it can hold 10 times the weight for 1 hour without any harming deformation.

The installation must always be secured with a secondary safety attachment, e.g. an appropriate catch net. This secondary safety attachment must be constructed in a way that no part of the installation can fall down if the main attachment fails.

When rigging, derigging or servicing the device staying in the area below the installation place, on bridges, under high working places and other endangered areas is forbidden.

The operator has to make sure that safety-relating and machine-technical installations are approved by an expert before taking into operation for the first time and after changes before taking into operation another time.

The operator has to make sure that safety-relating and machine-technical installations are approved by an expert after every four year in the course of an acceptance test.

The operator has to make sure that safety-relating and machine-technical installations are approved by a skilled person once a year.

Procedure:

The device should be installed outside areas where persons may walk by or be seated.

IMPORTANT! OVERHEAD RIGGING REQUIRES EXTENSIVE EXPERIENCE, including (but not limited to) calculating working load limits, installation material being used, and periodic safety inspection of all installation material and the device. If you lack these qualifications, do not attempt the installation yourself, but instead use a professional structural rigger. Improper installation can result in bodily injury and or damage to property.

The device has to be installed out of the reach of people.

If the device shall be lowered from the ceiling or high joists, professional trussing systems have to be used. The device must never be fixed swinging freely in the room.

Caution: Devices in hanging installations may cause severe injuries when crashing down! If you have doubts concerning the safety of a possible installation, do NOT install the device!

Before rigging make sure that the installation area can hold a minimum point load of 10 times the device's weight.



DANGER OF FIRE!

When installing the device, make sure there is no highly-inflammable material (decoration articles, etc.) within a distance of min. 0.5 m.

Mount the device to your trussing system using an appropriate clamp.

For overhead use, always install a safety-rope that can hold at least 12 times the weight of the fixture. You must only use safety-ropes with quick link with screw cap. Pull the safety-rope through the attachment eyelet and over the trussing system or a safe fixation spot. Insert the end in the quick link and tighten the safety screw.

The maximum drop distance must never exceed 20 cm.

A safety rope which already hold the strain of a crash or which is defective must not be used again.

Adjust the desired inclination-angle via the mounting-bracket and tighten the fixation screws.



DANGER TO LIFE!

Before taking into operation for the first time, the installation has to be approved by an expert!

Master/Slave-operation

The master/slave-operation enables that several devices can be synchronized and controlled by one master-device.

On the rear panel of the DJ-SCAN 250 you can find an XLR-jack (DMX Out) and an XLR-plug (DMX In), which can be used for connecting several devices.

Choose the device which is to control the effects. This device then works as master-device and controls all other slave-devices, which are to be connected to the master-device via a balanced microphone lead. Connect the DMX OUT-jack with the DMX IN-plug of the next device.

Control Board:

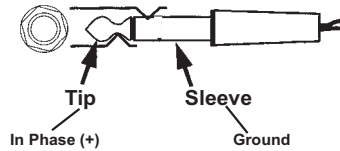
	DMX-mode		Slave-mode: Slave 1
	Master-mode: Sound-control		Slave-mode: Slave 2
	Master-mode: Slow		Slave-mode: Slave 3
	Master-mode: Standby		Slave-mode: Slave 4

Set the desired Master-mode for the master-device. Set the respective Slave-mode for all slave-devices.

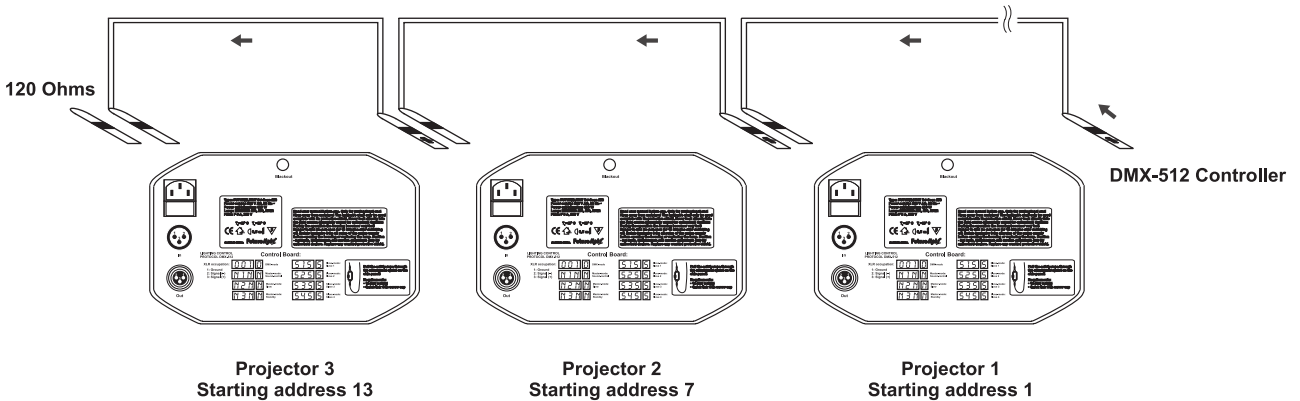
Blackout-socket

If you wish to lock the light output - e.g. via an optional footswitch (Blackout-mode), connect your footswitch via a mono-jack plug to the Blackout-socket.

Occupation mono 1/4" jack-plug:



DMX-512 connection / connection between fixtures

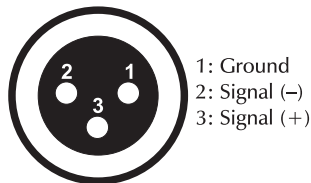


The wires must not come into contact with each other, otherwise the fixtures will not work at all, or will not work properly.

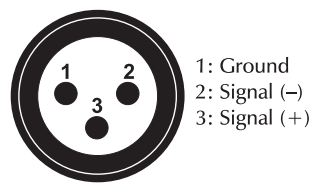
Only use a stereo shielded cable and 3-pin XLR-plugs and connectors in order to connect the controller with the fixture or one fixture with another.

Occupation of the XLR-connection:

DMX-output
XLR mounting-socket:



DMX-input
XLR mounting-plug:



If you are using controllers with this occupation, you can connect the DMX-output of the controller directly with the DMX-input of the first fixture in the DMX-chain. If you wish to connect DMX-controllers with other XLR-outputs, you need to use adapter-cables.

Building a serial DMX-chain:


Connect the DMX-output of the first fixture in the DMX-chain with the DMX-input of the next fixture. Always connect one output with the input of the next fixture until all fixtures are connected.

Caution: At the last fixture, the DMX-cable has to be terminated with a terminator. Solder a 120 Ω resistor between Signal (-) and Signal (+) into a 3-pin XLR-plug and plug it in the DMX-output of the last fixture.

Connection with the mains

Connect the device to the mains with the enclosed power supply cable.

The occupation of the connection-cables is as follows:

Cable	Pin	International
Brown	Live	L
Blue	Neutral	N
Yellow/Green	Earth	

The earth has to be connected!

If the device will be directly connected with the local power supply network, a disconnection switch with a minimum opening of 3 mm at every pole has to be included in the permanent electrical installation.

Lighting effects must not be connected to dimming-packs.

OPERATION

After you connected the effect to the mains, the DJ-SCAN 250 starts running. During the Reset, the motors are trimmed and the device is ready for use afterwards.

Turn the objective-lens for adjusting the focus in order to obtain a sharp projection.

Stand Alone operation

In the Stand Alone mode, the DJ-SCAN 250 can be used without controller. You can do without a controller as the DJ-SCAN 250 features a built-in microphone, which provides automatic sound control.

Disconnect the DJ-SCAN 250 from the controller and select "Master Mode: Sound-control".

If you have connected a footswitch to the Blackout-socket, you can lock the light output (Blackout-mode) and turn it on again.

Master/Slave-operation

Connect the master and slave-devices and adjust the settings as described above.

Please note: If you wish to change from one operating mode into another, you have to unplug the projector from the mains and plug it again.

DMX-controlled operation

You can control the projectors individually via your DMX-controller. Every DMX-channel has a different occupation with different features. In order to call up the different features, you first have to open the shutter (control channel 6, DMX-value 132-139 or 250-255) or set the dimmer to the desired intensity (control channel 6, DMX-value 6-128).

Addressing

The Control Board on the front side of the base allows you to assign the DMX fixture address, which is defined as the first channel from which the DJ-SCAN 250 will respond to the controller.

If you set, for example, the address to channel 7, the DJ-SCAN 250 will use the channel 7 to 14 for control. Please, be sure that you don't have any overlapping channels in order to control each DJ-SCAN 250 correctly and independently from any other fixture on the DMX data link.

If two, three or more DJ-SCAN 250 are addressed similarly, they will work similarly.

For address setting, press the Mode-button until the display shows "d" and set the desired address via the Up/Down-buttons.

Controlling:

After having addressed all DJ-SCAN 250, you may now start operating these via your lighting controller.

Note:

After switching on, the DJ-SCAN 250 will automatically detect whether DMX 512 data is received or not. If the data is received, the control LED flashes. If there is no data received at the DMX-input, the control LED lights up permanently.

This situation can occur if:

- the 3 PIN XLR plug (cable with DMX signal from controller) is not connected with the input of the DJ-SCAN 250.
- the controller is switched off or defective, if the cable or connector is defective or the signal wires are swap in the input connector.

Note:

It's necessary to insert the XLR termination plug (with 120 Ohm) in the last lighting in the link in order to ensure proper transmission on the DMX data link.

DMX-protocol

Control channel 1 - Horizontal movement (Pan)

Push slider up in order to move the mirror horizontally (PAN).

Gradual mirror adjustment from one end of the slider to the other (0-255, 128-center). The mirror can be stopped at any position you wish.

DMX-value	Feature
0-255	Gradual adjustment of the mirror position from left to right

Control channel 2 - Vertical movement (Tilt)

Push slider up in order to move the mirror vertically (TILT).

Gradual mirror adjustment from one end of the slider to the other (0-255, 128-center). The mirror can be stopped at any position you wish.

DMX-value	Feature
0-255	Gradual adjustment of the mirror position from down to up

Control channel 3 - Colour-wheel

Linear colour change following the movement of the slider. In this way you can stop the colour-wheel in any position.

DMX-value	Feature
0-18	White
18-35	Dark blue
36-53	Pink
54-71	Light green
72-89	Orange
90-107	Light blue
108-126	Yellow
127	Cherry red
128-191	Forwards rainbow effect with increasing speed
192-255	Backwards rainbow effect with increasing speed

Control channel 4 - Rotating gobo-wheel

DMX-value	Feature
0-15	Open
16-31	Rot. gobo 1
32-47	Rot. gobo 2
48-63	Rot. gobo 3
64-79	Rot. gobo 4
80-95	Rot. gobo 5
96-111	Rot. gobo 6
112-127	Rot. gobo 7
128-191	Forwards gobo-change with increasing speed
192-255	Backwards gobo-change with increasing speed

Control channel 5 - Gobo rotation

DMX-value	Feature
0-15	No rotation
16-135	Forwards gobo rotation with decreasing speed
136-255	Backwards gobo rotation with increasing speed

Control channel 6 - Shutter, strobe

DMX-value	Feature
0-5	Shutter closed
6-128	Dimmer control
129-131	Reset (after 3-5 seconds)
132-139	No function (Shutter open)
140-199	Strobe effect with increasing speed
200-249	Random strobe effect with increasing speed
250-255	No function (Shutter open)

CLEANING AND MAINTENANCE

The operator has to make sure that safety-relating and machine-technical installations are inspected by an expert after every four years in the course of an acceptance test.

The operator has to make sure that safety-relating and machine-technical installations are inspected by a skilled person once a year.

The following points have to be considered during the inspection:

- 1) All screws used for installing the devices or parts of the device have to be tightly connected and must not be corroded.
- 2) There must not be any deformations on housings, fixations and installation spots (ceiling, suspension, trussing).
- 3) Mechanically moved parts like axles, eyes and others must not show any traces of wearing (e.g. material abrading or damages) and must not rotate with unbalances.
- 4) The electric power supply cables must not show any damages, material fatigue (e.g. porous cables) or sediments. Further instructions depending on the installation spot and usage have to be adhered by a skilled installer and any safety problems have to be removed.

**DANGER TO LIFE!**

Disconnect from mains before starting maintenance operation!

We recommend a frequent cleaning of the device. Please use a moist, lint-free cloth. Never use alcohol or solvents!

**CAUTION!**

The lens has to be replaced when it is obviously damaged, so that its function is impaired, e. g. due to cracks or deep scratches!

The objective lens will require weekly cleaning as smoke-fluid tends to building up residues, reducing the light-output very quickly. The cooling-fans should be cleaned monthly.

The gobos may be cleaned with a soft brush. The interior of the fixture should be cleaned at least annually using a vacuum-cleaner or an air-jet.

The dichroic colour-filters, the gobo-wheel and the internal lenses should be cleaned monthly.

To ensure a proper function of the gobo-wheel, we recommend lubrication in six month intervals. The

quantity of oil must not be excessive in order to avoid that oil runs out when the gobo-wheel rotates. There are no serviceable parts inside the device. Maintenance and service operations are only to be carried out by authorized dealers.

Please refer to the instructions under "Installing/Replacing the lamp".

Replacing the fuse

If the fine-wire fuse of the device fuses, only replace the fuse by a fuse of same type and rating.

Before replacing the fuse, unplug mains lead.

Procedure:

- Step 1:** Open the fuseholder on the rearpanel with a fitting screwdriver.
- Step 2:** Remove the old fuse from the fuseholder.
- Step 3:** Install the new fuse in the fuseholder.
- Step 4:** Replace the fuseholder in the housing.

Should you need any spare parts, please use genuine parts.

If the power supply cable of this device becomes damaged, it has to be replaced by a special power supply cable available at your dealer.

Should you have further questions, please contact your dealer.

TECHNICAL SPECIFICATIONS

Power supply:	230 V AC, 50 Hz
Power consumption:	500 W
DMX-control-channels:	6
DMX-512-connection:	3-pin XLR
Sound-control:	via built-in microphone
Flash-rate:	10 Hz
Number of colours:	7 dichroic + white
Number of gobos:	7 rotating gobos and open
Dimensions (LxWxH):	525 x 300 x 150 mm
Weight:	15 kg
Maximum ambient temperature t_a :	45° C
Maximum housing temperature t_b (steady state):	60° C
Min.distance from flammable surfaces:	0.5 m
Min.distance to lighted object:	0.5 m
Fuse:	F 5 A, 250 V
Fitting lamps:	
OMNILUX OSD 90V/250W GX-9,5 2000h 6700K	No. 89106005
OSRAM HSD250 90V/250W GY-9,5 2000h	No. 89106010
SYLVANIA BA250/2 SE D 90V/250W GY-9,5	No. 89106120
PHILIPS MSD250 90V/250W GY-9,5 2000h	No. 89106015
OSRAM HSD250/2 90V/250W GY9,5 3000h 7800K	No. 89106110
PHILIPS MSD250/2 90V/250W GY-9,5 2000h	No. 89106115
Recommended controllers:	
FUTURELIGHT CP-256 controller	No. 51834285
FUTURELIGHT CP-256/32 controller	No. 51834286
Wizard-512 DMX-Software + Interface	No. 51860101
Wizard-1024 DMX-Software + Interface	No. 51860110

Please note: Every information is subject to change without prior notice. 21.03.2003 ©