

# Installation and Operating Manual

BDA-UHF-36/36-80-AB  
UHF Band Bi-Directional Amplifier





## Table of Contents

SAFETY OPERATION INSTRUCTIONS .....	3
OVERVIEW .....	4
FCC NOTE .....	4
IC NOTE .....	4
NOTE .....	4
RF EXPOSURE WARNING.....	4
ELECTRICAL SPECIFICATIONS .....	6
MECHANICAL SPECIFICATIONS .....	6
ENVIRONMENTAL CONDITIONS .....	6
MECHANICAL OUTLINE.....	8
CONNECTIONS .....	9
AVAILABLE, OPTIONAL FEATURES .....	11
ALARM CONDITIONS.....	12
VARIABLE GAIN ADJUSTMENT AND LED INDICATORS .....	13
INSTALLATION .....	14
OPERATION.....	15
DIAGNOSTICS GUIDE .....	16
ANTENNA SEPERATION.....	16
APPENDIX 1.....	17
APPENDIX 2.....	19



## SAFETY OPERATION INSTRUCTIONS

### BEFORE USE

Review this manual and insure that all conditions are compatible with the amplifier's specifications. Safe operation may be impaired if this equipment is not used as intended.

### GENERAL DESCRIPTION

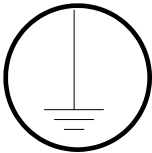
This symbol is marked in the manual and denotes important safety operation instructions. Please read carefully before continuing.



This equipment is suitable for a wide variety of scientific, industrial, laboratory and communication applications where high levels of electromagnetic Radio Frequency (RF) energy are required. Therefore, the output of the amplifier must be terminated to an appropriate load, such as a high power attenuator, dummy load, a communication or radiation antenna. User must insure that radiated energy do not violate regulatory levels of electromagnetic interference.

### PROTECTIVE GROUND

This symbol is marked on the equipment and denotes protective ground terminal.



This amplifier includes protective ground terminal. The equipment shouldn't be used if this protection is impaired. The supplied power cord must be used along with an uninterrupted external power source.

### HAZARDOUS LINE AND RF VOLTAGES

This symbol is marked on the equipment where dangerous voltages are present. Use extreme caution.



Both RF input and output connectors should be terminated prior to the application of the external AC source. Otherwise, contact with the RF output center pin can be dangerous. Place the amplifier in the OFF position prior to connecting and disconnecting RF output load.

### ELECTROSTATIC DISCHARGE (ESD)

This symbol is marked on the equipment where ESD sensitive devices are present. Do not handle without the proper protection.



### MAINTENANCE

Maintenance, repair and calibration must be performed by qualified personnel only. Contact with the internal amplifier components maybe dangerous even when the equipment is in the OFF position.

**CAUTION**

This denotes a condition that may cause damage to the Amplifier if procedure is not correctly performed. Do not proceed until the indicated conditions are met.

### FORCED AIR COOLING

Do not block the inlet and outlet of the internal cooling blowers. Otherwise damage may result to the amplifier.



## OVERVIEW

The BDA assembly enhances the coverage area of radio communications in buildings and RF shielded environments.

The BDA has dual RF paths (Down-Link / Up-Link) to improve coverage in two distinct frequency bands.

The unit features low noise figure and wide dynamic range. It is based on a dual duplexed path configuration with sharp out of band attenuation allowing improved isolation between the receiving and transmitting paths.

BDA-UHF-36/36-80-AB provides up to 36 dBm composite power and has up to 80 db gain.

## FCC NOTE

This is a Class B device. The product has been tested and found to comply with the Booster requirements per FCC Part 90.

## IC NOTE

The product has been tested and found to comply with the Industry Canada (IC) RF Exposure Requirements, pursuant to IC RSS-131.

## NOTE

The Manufacturer's rated output power of this equipment is for single carrier operation. For situations when multiple carrier signals are present, the rating would have to be reduced by 3.5 dB, especially where the output signal is re-radiated and can cause interference to adjacent band users. This power reduction is to be by means of input power or gain reduction and not by an attenuator at the output of the device.

## RF EXPOSURE WARNING

The ERP limit, as defined by the FCC is +37 dBm. In order to comply with the FCC RF exposure requirements, the BDA-UHF-36/36-80-AB and corresponding antenna installation must comply with the following

The Omni directional antenna (or leaky cable ) must be installed so as to provide a **minimum** separation distance of at least 38 cm (~15 inches) between the indoor antenna connected to the RF booster and the human user's body within the area. (This assumes an antenna with gain of 0 dBi, VSWR  $\leq$  2:1,  $Z_0=$  50 ohms and a cable attenuation less then 1dB ).

Should user choose to utilize a higher gain donor antenna (greater than 0 dBi) with the system, attenuation of the BDA's gain will be required to meet FCC ERP limit of +37 dBm.

Refer to Figure 1 for the following discussion.

The downlink path of BDA receives RF signals from the base station, amplifies the signal and transmits the signal, without changing the frequency, into a Distributed Antenna System at the direction of the mobiles. The signal travels over a DAS medium that then dissipates the signal to the Mobile subscribers. The uplink path receives RF signals at the Mobile side from the DAS system, then amplifies it, and transmits the amplified signal (without changing the frequency) to the base station.

This BDA supports Uplink and Downlink, UHF occupy distinct dedicated frequency bands.

The bandwidth of uplink or downlink pass band factory tunable to 1-3 MHz. The minimum pass band separation is 1 MHz.

The diplexer isolates the paths and route each signal to the proper amplifying channel.

An Automatic Level Control (ALC) allows for output power limiting. A variable step attenuator gives 0 – 30 dB of attenuation in 2 dB steps. The use of these controls is covered in the “OPERATION” section, later in this document.

## BLOCK DIAGRAM DESCRIPTION

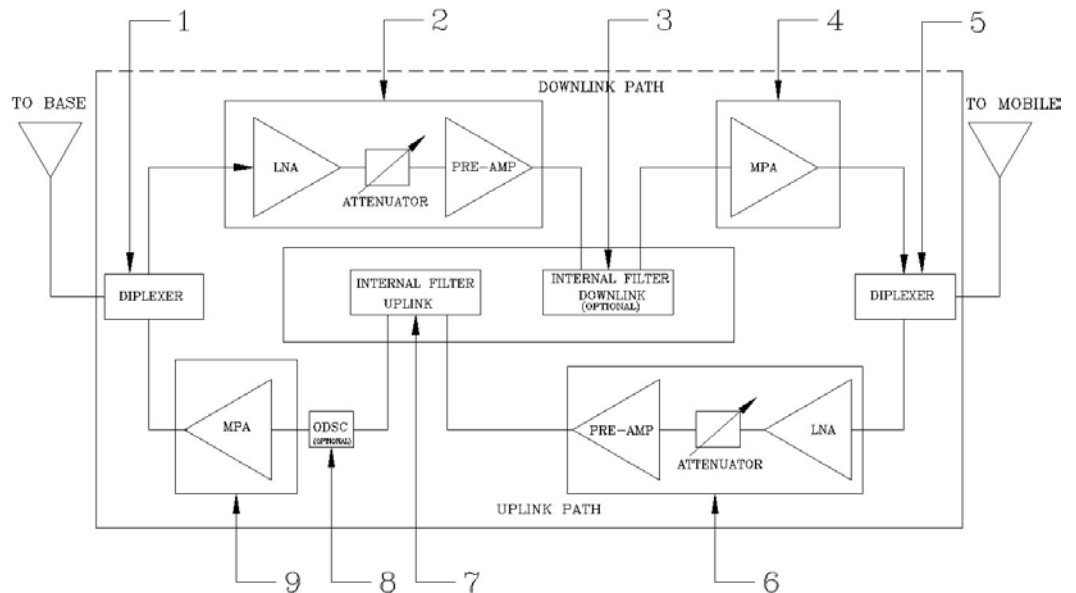


Figure 1: Block Diagram

1. Diplexer – Separates/Combines UL and DL pass bands, provides needed isolation and selectivity to support system gain.
2. Downlink Low noise amplifier and driver. Exhibits low noise figure, up to 45dB gain and high linearity.
3. Downlink Filter – High selectivity filter gives additional rejection for increased isolation.
4. Downlink Power Amplifier with an ALC circuit, offers up to 42dB gain and high linearity.
5. Diplexer – Separates/Combines UL and DL pass bands, provides needed isolation and selectivity to support system gain.
6. Uplink Low noise amplifier and driver. Exhibits low noise figure and 45dB gain high linearity.
7. Uplink Filter – High selectivity filter gives additional rejection for increased isolation.
8. Module that detects oscillations in the system due to insufficient Donor and Mobile Antenna.
9. Uplink Power Amplifier with an ALC circuit, offers up to 42dB gain and high linearity.



## ELECTRICAL SPECIFICATIONS

Frequency Range	380-512 MHz
Bandwidth	1-3 MHz
Minimum pass band separation	1 MHz
Pass band Gain @ Min. attenuation	Up to 80±2 dB
Variable Step Attenuator Range 2-dB steps	0-30 dB
Maximum Input Signal Level	-30 dBm
Input/Output Impedance	50 Ohms
VSWR (Input/Output)	<1.5: 1
Power Supply	110VAC/1.6Amps
	220VAC/0.8Amps
	50 to 60 Hz

Composite Output Power	27 dBm	31 dBm	33 dBm	36 dBm
Gain Flatness [dB]	± 2.0	± 2.0	± 1.5	± 2.0
Noise Figure [dB]	7.0 (Max.) 6.5 (Typ.)	6.0 (Max.) 5.5 (Typ.)	6.0 (Max.) 5.5 (Typ.)	8.0 (Max.) 7.5 (Typ.)
Output Power ALC Set [dBm]	UL: +27 ±1 DL: +27 ±1	UL: +31 ±1 DL: +31 ±1	UL: +33 ±1 DL: +33 ±1	UL: +36 ±1 DL: +36 ±1
3rd Order Intercept Point [dBm]	UL: +48 (Typ.) DL: +48 (Typ.)	UL: +51 (Typ.) DL: +51 (Typ.)	UL: +54 (Typ.) DL: +54 (Typ.)	UL: +54 (Typ.) DL: +54 (Typ.)

## MECHANICAL SPECIFICATIONS

Size	16.4 x 8 x 15.3 inch
RF Connectors	N-Type Female
Weight	43.3 Lb. (19.5 kg) approx.

## ENVIRONMENTAL CONDITIONS

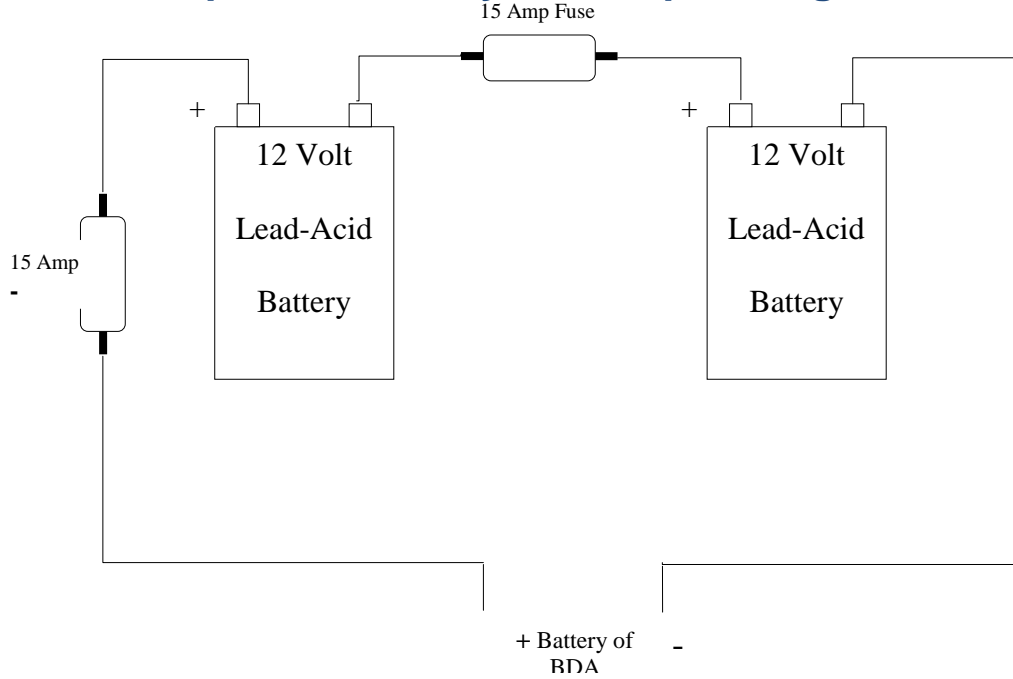
The unit is designed for indoor applications:

Operating temperature: - 30°C to +55°C

Storage temperature: - 40°C to +85°C



## Optional Battery Back-Up Configuration



**Figure 2: Optional Battery Back-Up Configuration**

Output Composite Power	Typical DC Current Draw @24VDC [A]	Battery Back-Up Time [Hours]	Recommend Battery Rated Capacity (20 Hour Rate) [Amp Hours]
36 dBm	3.55	4	17.75
		8	35.5
		12	53.25
		24	106.5
33 dBm	2.47	4	12.35
		8	24.7
		12	37.05
		24	74.1
31 dBm	2.35	4	11.75
		8	23.5
		12	35.25
		24	70.5
27 dBm	2.1	4	10.5
		8	21
		12	31.5
		24	63

**Note: We do not guarantee specifications under Battery Back-Up power.**

# MECHANICAL OUTLINE

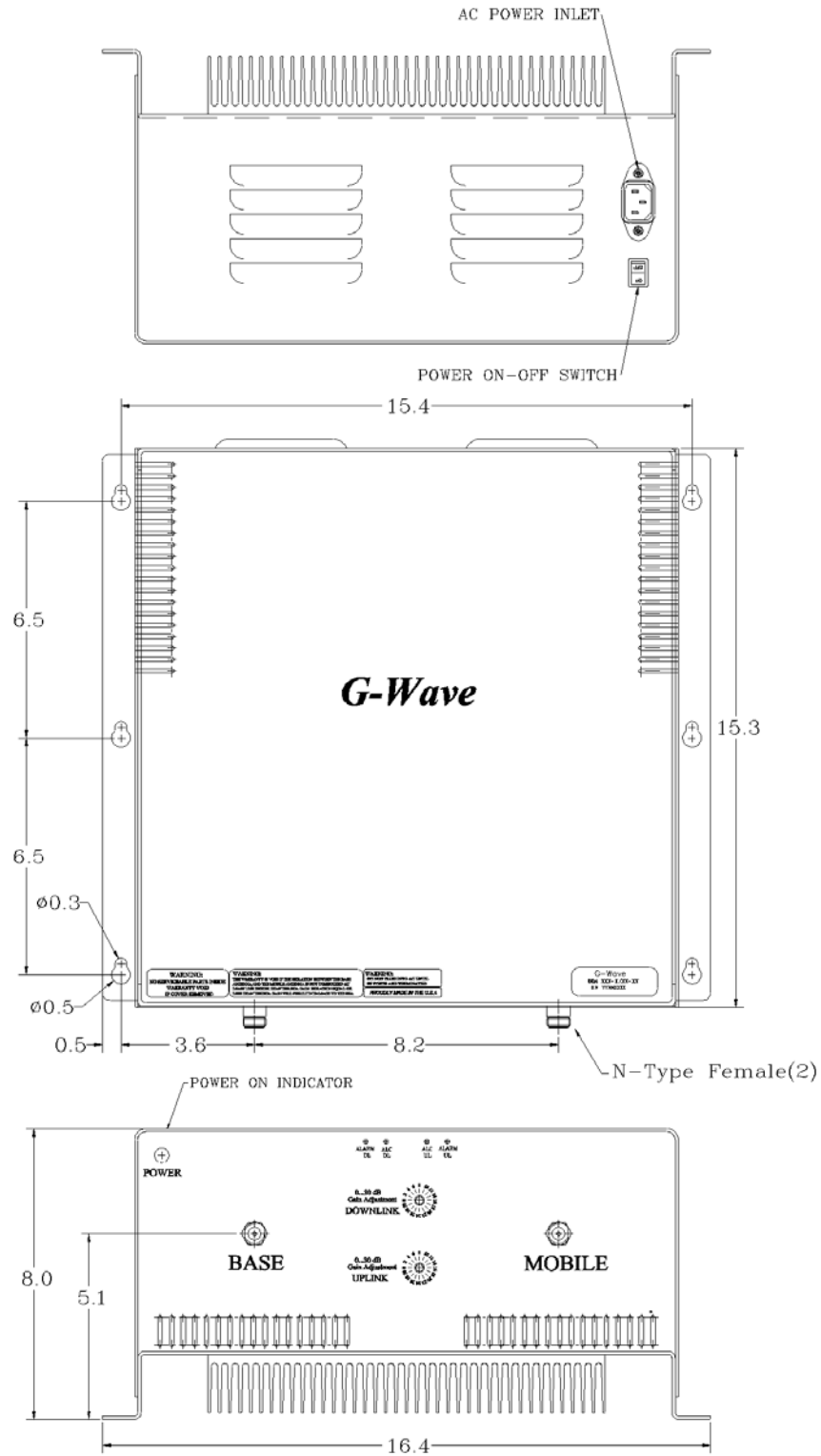


Figure 3: Mechanical Outline





## CONNECTIONS

The RF connections are made via two “N-type” female connectors. The RF connector labeled “BASE” must be connected to the antenna pointing towards the base station. The RF connection labeled “MOBILE” must be connected to the antenna / passive DAS facing the area to be covered by the BDA.

The RF connections must be made through cables with characteristic impedance of 50 ohms.

The BDA AC power is accepted through a standard 3-wire male plug (IEC-320) with phase, neutral and ground leads. The AC power is wired to a high efficiency DC switching power supply which is CE and UL approved. The power supply runs the amplifiers and the LED indicators. The metal enclosure of the BDA is connected to ground.

Additional monitoring connectors are available as described in the “Features” section.



Figure 4a: Front Panel Connections

## CONNECTIONS (Cont.)



Figure 4b: Back Panel Connections



## AVAILABLE, OPTIONAL FEATURES

The following options are available, (please review the specification provided with the unit, to verify the features included in your BDA )

- **Visual Alarms**

All G-Wave systems include local visual alarms as a standard. Local visual alarms are LED lights located on the unit that indicate various failures. For a list of corresponding alarms, please see Variable Gain Adjustment and LED Indicators.

- **DC Input Power Option (S1)**

The BDA is equipped with both AC and DC voltage inputs for power operation. This gives the flexibility of powering the BDA with either an AC or DC source. If both sources are connected, the BDA will automatically select the stronger voltage source for power. (See page 7 for Composite Power Table)



- **Local Alarming via dry contact 7-pin Connector (RM7)**

A 7-Pin dry contact will be provided to hard wire into a building's alarm system. Dry contact will provide alarms for ALC and amplifier failure.



- **Local Alarming via dry contact 9-Pin Connector (RM9)**

A 9-Pin dry contact will be provided to hard wire into a building's alarm system. Dry contact will provide alarms for ALC and amplifier failure.



- **Local Alarming via dry contact 26-Pin Connector (026)**

A 26-Pin dry contact will be provided to hard wire into a building's alarm system. Dry contact will provide alarms for ALC, amplifier failure, donor antenna failure and DC backup failure. (See details in appendix 1)



- **Oscillation Detector and Shutdown - ODSC / ODSCRM9**

To minimize interference with other RF systems, this unit includes an Oscillation detection module that continuously monitors the BDA operation, in a case of Oscillation detection inside the BDA, the detector will shut down all the amplifiers to avoid RF interference with other systems in the area, when the Oscillation condition passes or is resolved, the ODSC operation will turn on all the amplifiers, returning to regular operation. The ODSCRM9 module will allow Oscillation detect / display & shutdown of all amplifiers with local alarming via dry contact connector. A red LED located on the front panel (See figure 4) illuminates when oscillation is detected.





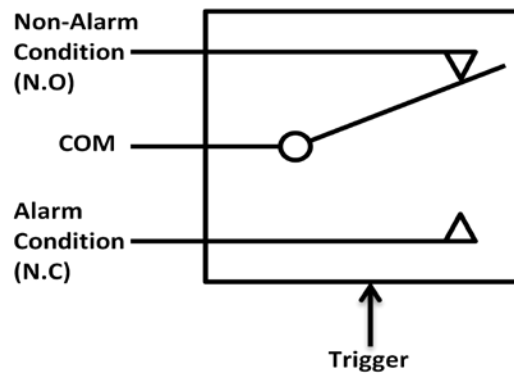
## AVAILABLE, OPTIONAL FEATURES (Cont.)

- **DC28**  
Powered DC Only @ + 28 VDC
- **LGHT**  
Lightning Protection on UL/DL Ports
- **RED -**  
Red Enclosure to signify equipment is for public safety. Please verify your local requirements.
- **ACSP**  
AC Surge Protection and DC Line Conditioning (Required if powered by generator)

## ALARM CONDITIONS

The alarm monitors the current of both the uplink and downlink amplifiers. An alarm condition will occur if either the uplink or downlink amplifiers are over or under its current tolerance.

Additionally, each failure/alarm/indicator from the available features can be monitored via an alarm monitoring connector, 3 contacts per each alarm. The following diagram shows a Non Alarm condition. If an alarm occurs the trigger will change the position of the relay, a short will be between COM and N.C.



(Relay Shown in Non-Alarm Condition)

## VARIABLE GAIN ADJUSTMENT AND LED INDICATORS

- AC Power LED - Illuminates when the AC voltage is supplied, the unit is ON, and the AC/DC power supply is operating.
- DL ALC LED - Illuminates when DL composite power reaches the ALC set
- DL Alarm - Illuminates when the DL amplifier fails.
- UL ALC LED - Illuminates when UL composite power reaches the ALC set.
- UL Alarm - Illuminates when the UL amplifier fails.
- External DC LED (optional) - Illuminates when the BDA is operating from a DC source.
- Oscillation detection LED (optional) - Illuminates when oscillation is detected.
- Donor antenna alarm LED (optional) - Illuminates when Donor Antenna is disconnected.
- Mobile antenna alarm LED (optional) - Illuminates when the mobile port is disconnected.
- DL Manual Gain Attenuator- Is a switch used for DL gain attenuation
- UL Manual Gain Attenuator- Is a switch used for UL gain attenuation

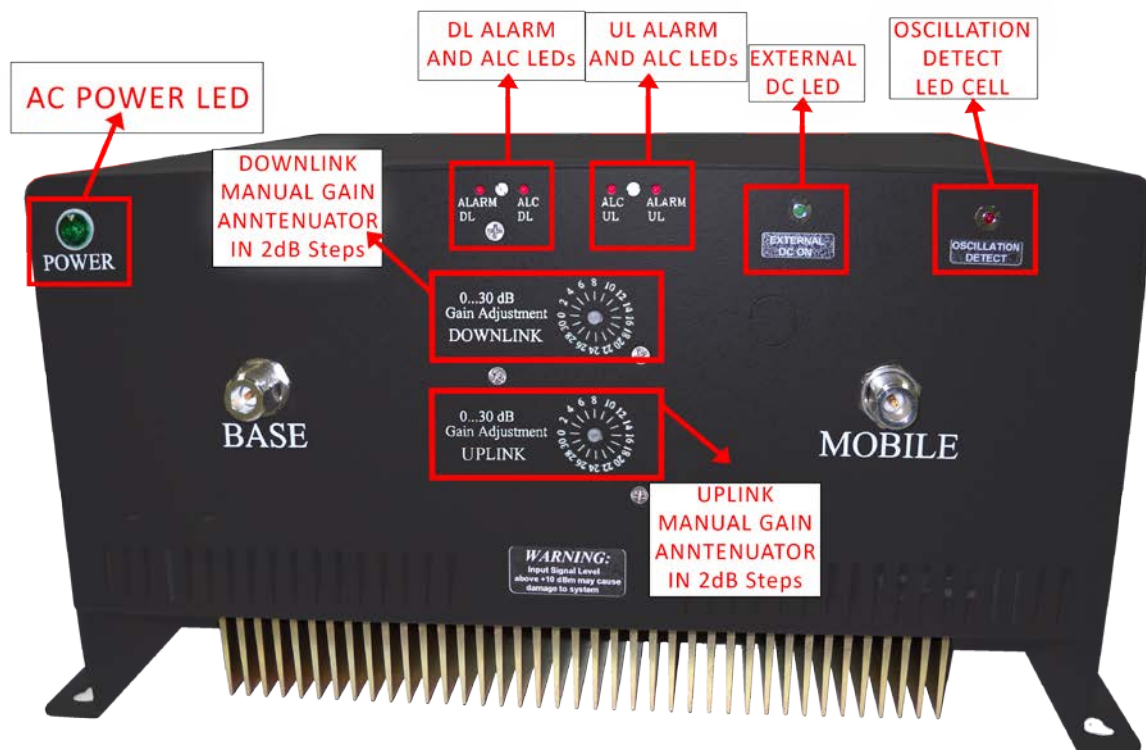


Figure 5: Front Panel LED Indication



**WARNING. This is NOT a CONSUMER device. It is designed for installation by FCC LICENSEES and QUALIFIED INSTALLERS. You MUST have an FCC LICENSE or express consent of an FCC Licensee to operate this device. You MUST register Class B signal boosters (as defined in 47 CFR 90.219) online at [www.fcc.gov/signal-boosters/registration](http://www.fcc.gov/signal-boosters/registration). Unauthorized use may result in significant forfeiture penalties, including penalties in excess of \$100,000 for each continuing violation.**

## INSTALLATION

**DO NOT APPLY A.C. POWER TO THE BDA UNTIL CABLES ARE CONNECTED TO BOTH PORTS OF THE BDA AND THE ANTENNAS.**

1. Set the BDA on the floor or mount on a wall (where applicable). Using appropriate screws and anchors, attach the BDA to the wall at the four mounting holes on the side flanges. (Special version not shown in this manual).
2. Ensure that the isolation between the base station antenna and the mobile antenna should be at least **12 dB higher than the BDA gain** (Use the higher of the Uplink and Downlink gains reported on the BDA test data sheet).  
Isolation less than this value can cause gain ripple across the band. Isolation equal to or less than the BDA gain will give rise to oscillations which will saturate the amplifiers and possibly cause damage to the BDA.
3. Connect the cable from the donor antenna to the BDA connector labeled “BASE” and the cable from the service antennas to the BDA connector labeled “MOBILE”.
4. See main panel of the BDA and verify that both of the Uplink and Downlink attenuation is set to 30 dB via dial Attenuator.
5. Connect the AC power cord to the BDA and then to the power source. Verify that the “Power ON” lamp is illuminated.

Installation of the BDA is now complete. To adjust the gain controls to suit the specific signal environment, refer to the next section of the manual.

***Note:*** For repeat installations of existing equipment, make sure the attenuation is positioned to its maximum setting (30 dB). After verification attenuation, follow the above steps starting with step 1.



## OPERATION

Refer to Figure 4 & 5 for adjustment access location, connectors and labels.

### Variable Step Attenuator

BDA gain that indicated in the spec can be reduced by up to 30 dB in 2 dB steps using the variable step attenuator. Gain adjustment is made with rotary switches located on the front panel of the BDA enclosure. Arrows on the shafts of these switches point to the value of attenuation selected. BDA gain can be determined by subtracting the attenuation value from the gain reported on the BDA Test Data Sheet for that side of the unit. The attenuators are labeled for Uplink and Downlink.

### ALC (Automatic Level Control)

To minimize intermodulation products, each amplifier in the BDA contains an ALC feedback loop. The ALC circuit senses the output power and limits it to the factory preset level, as indicated in the specification.

ALC function is located in each power amplifier. A red LED indicator located on the Front main panel (see figure 5) illuminates when output power meets or exceeds the ALC preset point.

To establish proper operating gain on the Uplink and Downlink sides, start with the Downlink. Observe the red LED indicator on the Downlink amplifier. Units are shipping with maximum attenuation. Decrease attenuation one step at a time until the red LED is lit. Then, using the Downlink step attenuator, increase the attenuation until the red LED goes off. Repeat the process for the Uplink, and then repeat the process for the second band. This setup should be done under RF signal transmit for either path the level indicator is accurate to +/- 0.4 dB of the ALC set point.

Verify the downlink in-building signal strength and the uplink signal strength at donor antenna meets requirements. Reduce the gain if needed.



**Note: Operation of BDA-UHF-36/36-80-AB at maximum gain with greater than -30 dBm average power incidents on the MOBILE or BASE ports could cause damage to the BDA.**

***WARNING:***  
**Input Signal Level  
above - 30 dBm may cause  
damage to system**



## DIAGNOSTICS GUIDE

The BDA provides long term, care-free operation and requires no periodic maintenance. There are no user-serviceable components inside the BDA.

This section covers possible problems that may be related to the installation or operating environment.

### Gain Reduction

Possible causes: Defective RF cables and RF connections to antennas, damaged antenna or Leaky cable.

### Occasional Drop-out of some Channels

Possible causes: One channel with very strong power dominates the RF output of the amplifier.

### Excessive Intermodulation or Spurious

Possible causes: Amplifier oscillation caused by insufficient isolation between two antennas. See antenna separation paragraph below.

## ANTENNA SEPERATION

BDA oscillation is caused by low isolation (antenna separation) between donor antenna and service antennas. The recommended isolation between those antennas is 15db above the system gain. The amount of isolation that can be achieved between antennas depends on several factors, such as the physical vertical and horizontal separation (distance between the antennas), polarization, radiation pattern of the antennas, the medium between the antennas, antenna gain etc.

Antenna isolation can most accurately be determined through on-site measurements An antenna isolation measurement configuration is illustrated in Figure 6, where two spatially separated antennas (service antenna #1 and donor antenna #2) are connected to a signal generator and signal analyzer.

A signal at centre frequency is generated by the signal generator sent to the input of antenna 1; the output of the signal at antenna 2 is measured and recorded by the signal analyzer. With calibrated connection cables, by taking into account the cable loss, the difference of signal power level at the output of antenna 2 and that at the antenna 1 input is taken as antenna isolation.

*(See Appendix 2 for analytical calculation)*

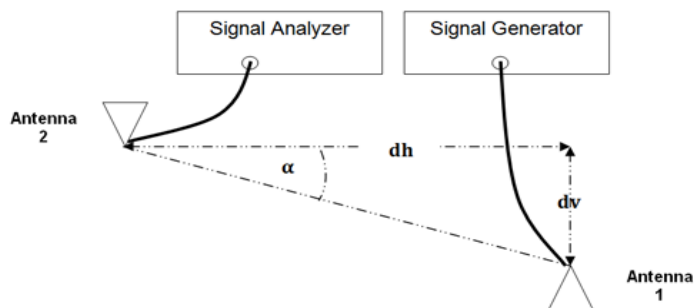


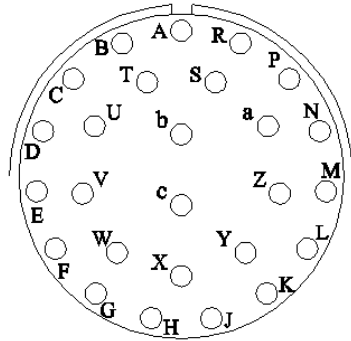
Figure 6



## APPENDIX 1

### 26-Pin Connector

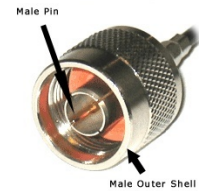
#### PIN OUT NFPA O26



PIN #	DESCRIPTION
A	1-NO DL/UL Current Alarm
B	1-COM DL/UL Current Alarm
C	1-NC DL/UL Current Alarm
D	2-NO Donor Antenna Alarm
E	2-COM Donor Antenna Alarm
F	2-NC Donor Antenna Alarm
G	3-NO DC Backup Alarm
H	3-COM DC Backup Alarm
J	3-NC DC Backup Alarm
K	4-NO Mobile Antenna Alarm
L	4-COM Mobile Antenna Alarm
M	4-NC Mobile Antenna Alarm
N	GND
P	GND
R	+12 VDC 200mA
S	+12 VDC 200mA (STNB)

#### Conditions for Donor Alarm (26-pin)

This functionality applies only for a Donor antenna with a DC short. Alarm monitors the connection of the BDA to the donor antenna. An alarm condition will occur if there is a disconnect at the donor antenna. Uplink and Downlink amplifiers will shut down. Donor Alarm, Current DL, and Current UL will indicate.



Test for DC short between male pin and outer shell of antenna connectors

Figure 7a

If the donor antenna does not short please connect G-Way's special Donor Short Simulator.

Please note, if you intend to use other components (i.e. Lightning Protector) between the base port and donor antenna make sure they have an open short.



N Type Female/Female Donor Short Simulator

N Type Male/Female Donor Short Simulator

Figure 7b

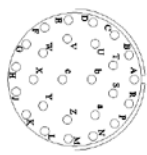
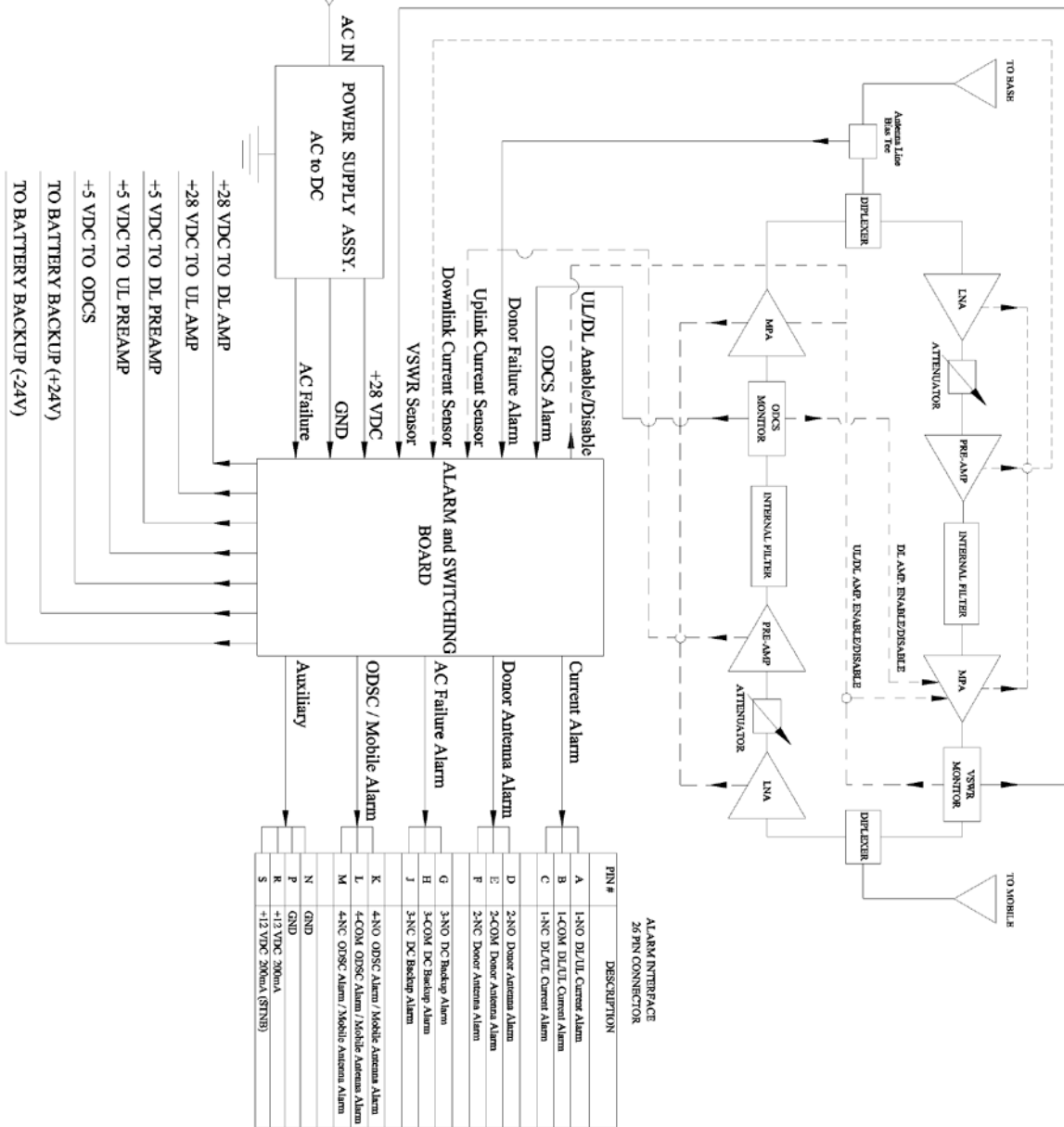
#### Conditions for DC Backup Alarm

The alarm monitors the AC power. If the AC power fails and DC is connected, the DC Alarm LED will indicate DC power.

#### Conditions for Mobile Alarm \*OPTIONAL

The alarm monitors mobile antenna conditions to the VSWR. In poor conditions, Mobile Alarm and Current UL will indicate.

# Alarm Block Diagram



PIN OUT NPA 026



## APPENDIX 2

The horizontal  $I_h$  and vertical  $I_v$  space antenna isolation for a scenario as in Figure 6 can be computed analytically, using the following equations:

$$I_h[\text{db}] = 22 + 20\log\left(\frac{dh \cdot f}{3 \cdot 10^8}\right) - GTx - GRx$$

\*Under assumptions of far field condition)

$$I_v[\text{db}] = 28 + 40\log\left(\frac{dv \cdot f}{3 \cdot 10^8}\right) - GTx - GRx$$

$$I_{\text{slant}}[\text{db}] = (I_v - I_h) \cdot \frac{\alpha}{90^\circ} + I_h$$

### Antenna Separation variable definitions:

$I_h$ [dB]	isolation between horizontally separated transmitter and receiver antennas
$dh$ [m]	the horizontal distance from the centre of interferer antenna to that of the interfered with receiver antenna
$dv$ [m]	the vertical distance from the interferer antenna to the interfered with receiver antenna, (measured from radiation centre-to-radiation centre)
$f$ [Hz]	the wavelength of the interfered with system frequency band
$GTx$ [dBi]	gain of the transmitter antenna
$GRx$ [dBi]	gain of the receiver antenna
$I_v$ [dB]	Isolation between vertically separated transmitter and receiver antennas.
$\alpha$ [°]	$\arctan\left(\frac{dv}{dh}\right)$