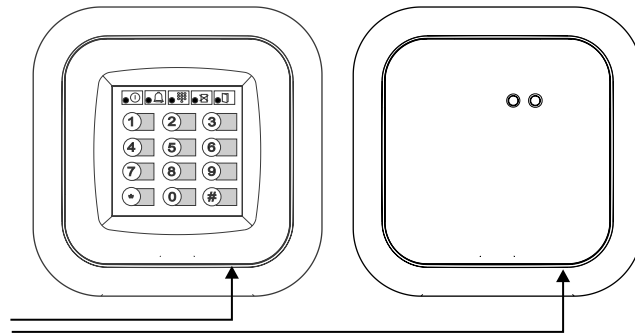


Installation and User Instructions for S674/5/6/7 Readers

1 - Mounting the Reader

S675/677

S674/676

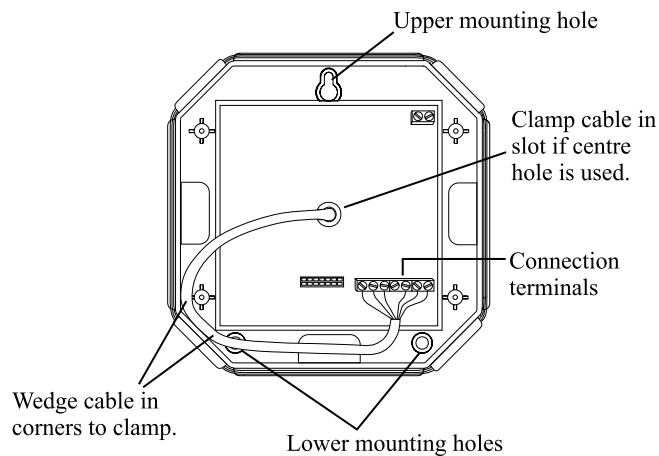


A) Remove the bezel by inserting a small screwdriver at this point and levering upwards. Protect the front cover at the lever point with paper or card to prevent damage.

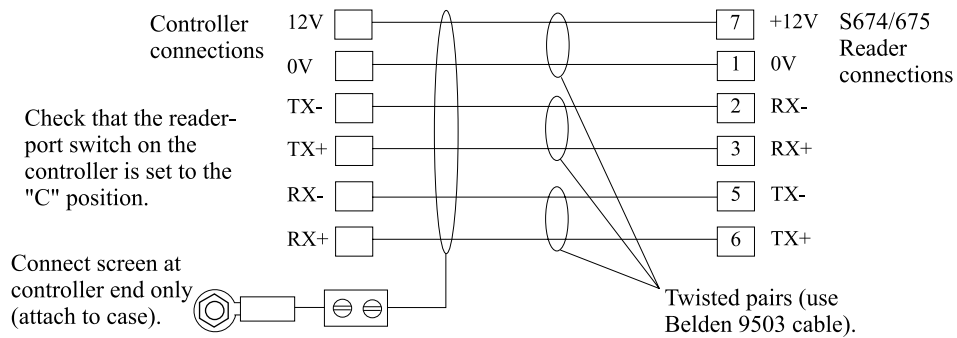
B) Lift off the front cover by removing the four screws.

C) Mount the base box. One or two cables need to be fed through the base box:

- The cable from the controller.
- A cable from a Remote Interface Module (RIM). A RIM can reduce cable lengths to door furniture. See the RIM instructions for connection details.

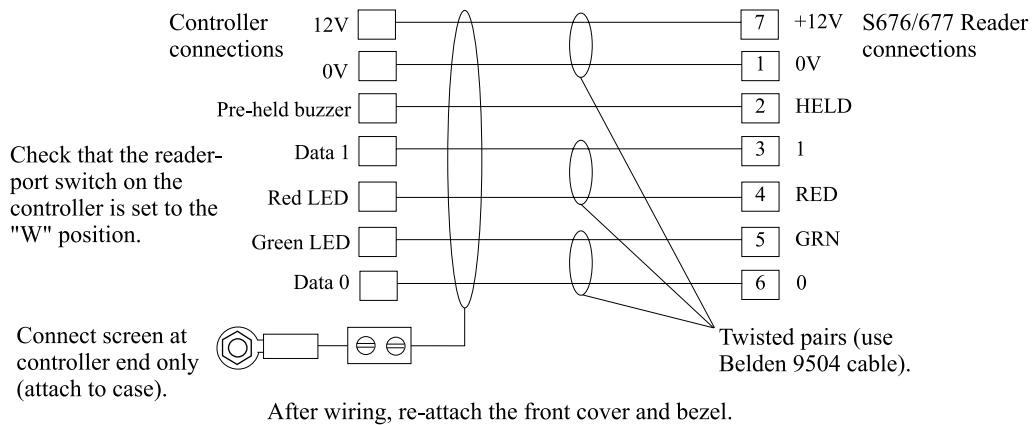


2 - Connecting an S674/675 (20mA) Reader to the Controller



After wiring, re-attach the front cover and bezel.

3 - Connecting an S676/677 (Wiegand) Reader to the Controller



4 - Using the Reader

Present the card face-on to the reader until you hear a "bleep". The maximum read range is approximately 23cm (9"). **Note:** cards can be presented in rapid succession - there is no need to wait for the green or red LED to extinguish before presenting another card.

About the Reader LEDs		
Colour	Icon (S675/677)	Meaning
GREEN		Access granted - When this LED is lit, the lock is released and you may open the door.
RED		Access denied - This is lit if you do not have access rights to gain entry, or if the reader could not read your card (in this case, move the card away, then present it again).
LEDs Available Only on the S675/677:		
Flashing amber (PIN LED)		These auxiliary LED indicators can be configured to operate in conjunction with conditional commands.
Red Alarm LED		
Green Switch LED		

FCC Notice:

This device complies with Part 15 of the FCC Rules. Operation is subject to the following two conditions:

- (1) This device may not cause harmful interference, and
- (2) this device must accept any interference received, including interference that may cause undesired operation.

Any unauthorised modification to this device may void the authority of the user to operate it.

Copyright 2001 Group 4 Technology Ltd. 9600-0251. Installation and User Instructions for S674/5/6/7 Readers. Issue 1.0 18/10/01.