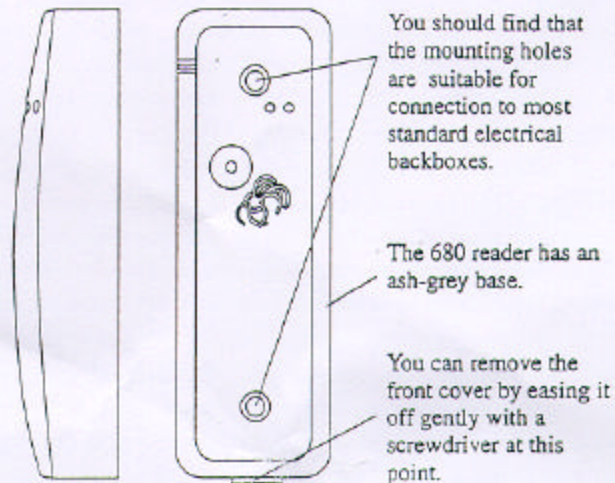


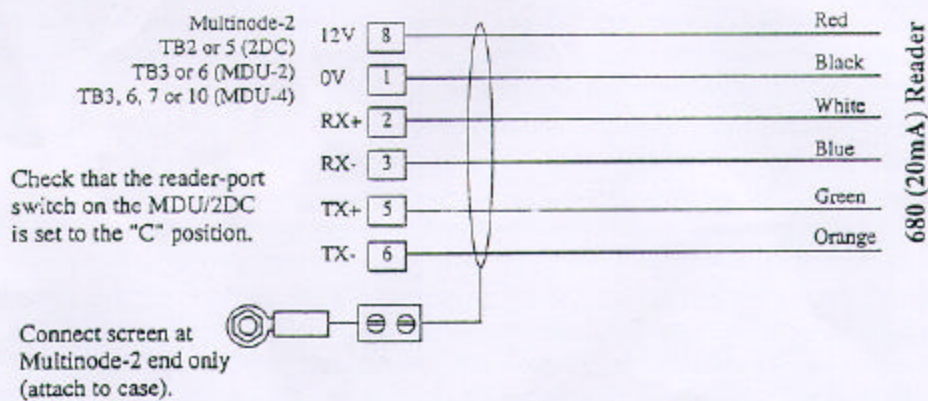
Installation Instructions for S680 Readers

1 - Mount the Reader

Mount the reader adjacent to the opening edge of the door and at a convenient height.



2 - Connect the Reader to the Multinode-2



FCC Notice:

This device complies with Part 15 of the FCC Rules. Operation is subject to the following two conditions:

- (1) This device may not cause harmful interference, and
- (2) this device must accept any interference received, including interference that may cause undesired operation.

Any unauthorised modification to this device may void the authority of the user to operate it.