

Installation and User Instructions for S813 Readers

Model number: S813-KPMICLBR

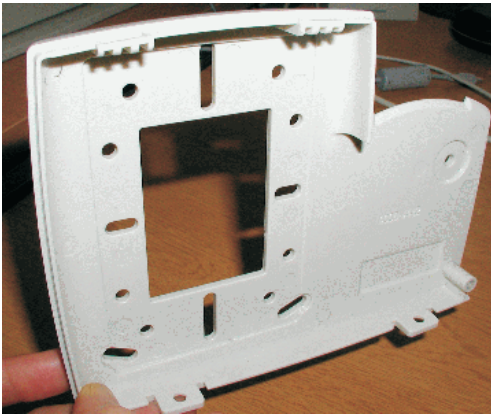
The S813 is a combined fingerprint and contactless smart-card reader with keypad that is capable of reading Philips® MIFARE® DESFire formatted cards, as well as other standard and custom formats.

The S813 uses a Bioscrypt® MV1200™ Sensor and pseudo-random 20mA current loop communications.



1 Mount the Backplate

You should find that the backplate has suitable holes for connection to most standard electrical backboxes.



To mount the backplate:

- 1) Detach the main body of the reader from the backplate by releasing the two securing screws along the bottom edge of the reader, swinging the backplate upwards and easing it away from the two top clips.
- 2) Mount the backplate adjacent to the opening edge of the door and at a convenient height, making sure that the finger pad is easily reached. Feed the cable to the reader through the backplate.

TO BE REPLACED BY ILLUSTRATION

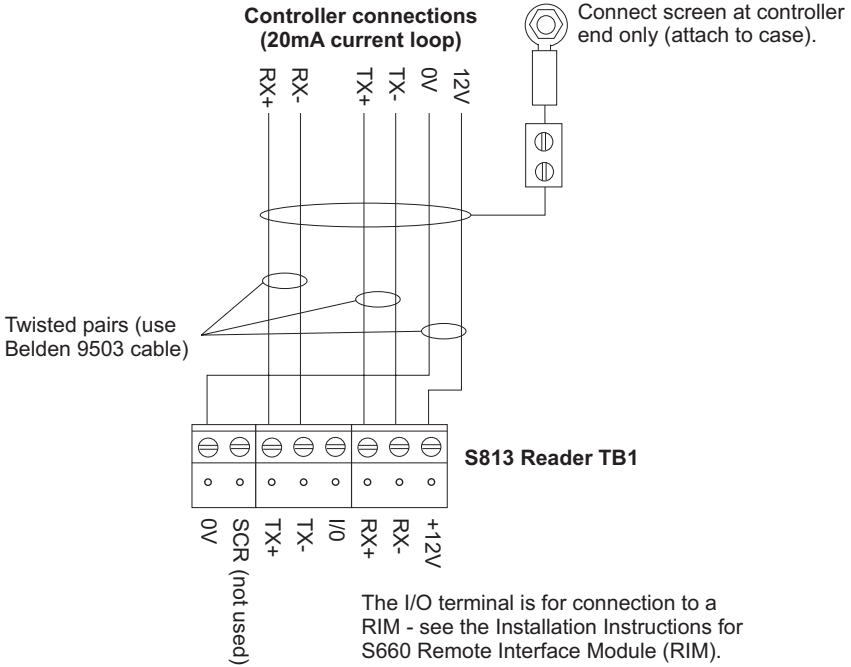
2 Reader Links

The following links are provided on the reader's PCB:

- LK1 (Audio feedback) - Set to "0" for sound off. Set to "1" for sound on.
- LK3 (Test) - Ensure that this link has been removed.

3

Reader Connections



On completion, re-secure the reader to the backplate.

4

Using the Reader

Present the proximity card face-on close to the reader until you hear a "bleep".

After presenting your card, you may be prompted to enter a PIN and/or place your finger on the finger pad. You may also be prompted to place a second finger on the finger pad. Follow the on-screen instructions.

The system can be set up to generate a "duress" transaction if the pre-defined duress finger is placed on the pad. In two-finger mode, the duress finger must be placed first.

9600-0306. Installation and User Instructions for S813 Readers, Issue 1.0x1 22nd May 2003. © AMAG Technology, 2003.

FCC Notice: This device complies with Part 15 of the FCC Rules. Operation is subject to the following two conditions: (1) This device may not cause harmful interference, and (2) this device must accept any interference received, including interference that may cause undesired operation.

Any unauthorized modification to this device may void the authority of the user to operate it.

All trademarks acknowledged. Philips and MIFARE are registered trademarks of Philips Electronics, N.V. MV1200 is a trademark of Bioscrypt Inc. Bioscrypt is a registered trademark of Bioscrypt Inc.

Specifications

- Input voltage: 9-14V.
- Input current: 100mA.
- Operating temperature: 32 to 122°F (0 to 50°C).
- Operating humidity: 15 to 90%, non-condensing.
- Maximum read range: 1" (25mm).
- Approvals: EN50133, R&TTE, IP605.
- For internal use only.