

# Installation and User Instructions for S830 Readers

## Model number: S830-HICLR

The S830 is a small-footprint 125kHz proximity card reader that is capable of reading HID® format cards.

The S830 uses 20mA current loop pseudo-random communications.



1

## Mount the Backplate

To mount the backplate:

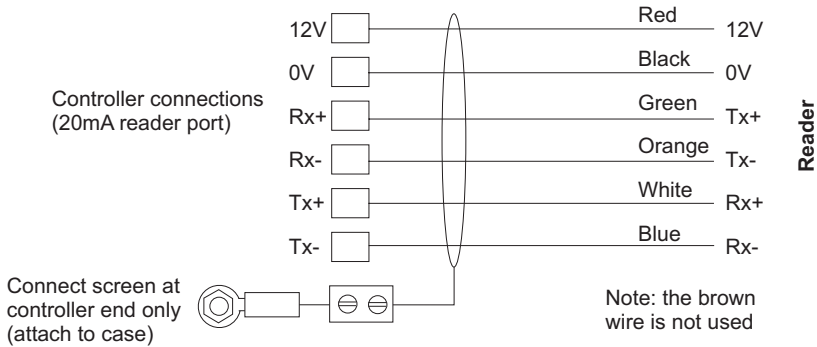
- 1) Detach the main body of the reader from the backplate by inserting a fingernail into the groove in the bottom edge of the reader and swinging the reader upwards.
- 2) Mount the backplate adjacent to the opening edge of the door and at a convenient height. Feed the cable to the reader through the backplate.



## 2

## Reader Connections

### 20mA Current Loop Reader Connections



## 3

## Using the Reader

Present the proximity card face-on to the reader until you hear a "bleep". The maximum read range is typically 2.5" (65mm). If the green indicator is lit, the card has been accepted and the door is unlocked. If the red indicator is lit, either the card has not been accepted, or you do not have access through the door.

**Note:** cards can be presented in rapid succession - there is no need to wait for the green or red LED to extinguish before presenting another card.

9600-xxxx. Installation and User Instructions for S830 Readers, Issue 1.0x2 10th June 2003. ©AMAG Technology, 2003.

**FCC Notice:** This device complies with Part 15 of the FCC Rules. Operation is subject to the following two conditions: (1) This device may not cause harmful interference, and (2) this device must accept any interference received, including interference that may cause undesired operation.

Any unauthorized modification to this device may void the authority of the user to operate it.

All trademarks acknowledged. HID is a registered trademark of HID Corporation.

### Specifications

Input voltage: 9-14V.

Input current: 75mA @ nominal 12Vdc supply.

Operating temperature: -4 to 150°F (-20 to 70°C).

Operating humidity: 15 to 90%, non-condensing.

Maximum read range: 2.5" (65mm).

Approvals: EN50133, R&TTE, IP656.