

# Installation and User Instructions for S831 Readers

The S831 is a small-footprint contactless smart-card reader, which uses 20mA current loop pseudo-random communications. The S831 is able to read Texas Instruments™ (ISO 15693) and Philips® MIFARE® smart cards.

For either type of card, the S831 supports the use of unencoded cards (where only the unique card serial number is read). In the case of Texas Instruments (TI) cards, an encoded card number can be read. Encoding formats supported include TI's own formats and the "smartMAX TI" format.

The reader can simultaneously support two different card types/formats (e.g. "smartMAX TI" and MIFARE). The reader is automatically configured to accept the first two card types/formats presented.

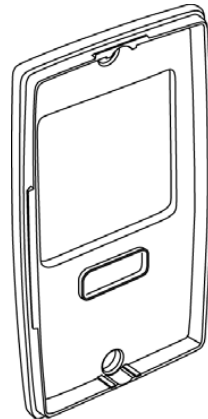


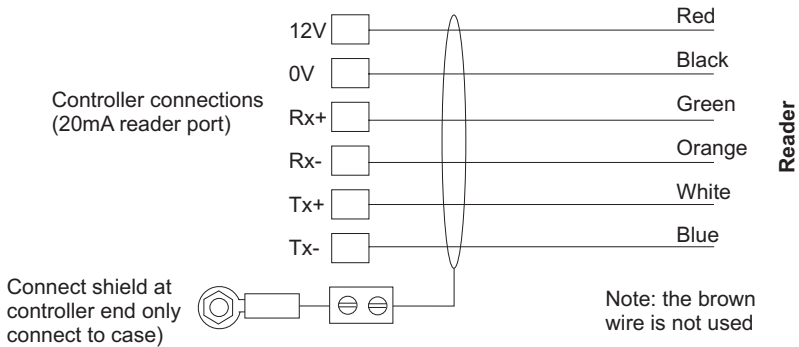
**1**

## Mount the Backplate

To mount the backplate:

- 1) Detach the main body of the reader from the backplate by inserting a fingernail into the groove in the bottom edge of the reader and swinging the reader upwards.
- 2) Mount the backplate adjacent to the opening edge of the door and at a convenient height. Feed the cable to the reader through the backplate.



**2****Reader Connections****20mA Current Loop Reader Connections****3****Reader Configuration**

The reader supports the first two different card types/formats presented after power-up. For example, unencoded MIFARE and encoded TI cards (in this example, unencoded TI cards would not be recognized). The reader enters this configuration mode whenever power is re-applied.

**4****Using the Reader**

Present the proximity card face-on to the reader until you hear a "bleep". If the green indicator is lit, the card has been accepted and the door is unlocked. If the red indicator is lit, either the card has not been accepted, or you do not have access through the door. If the red and green indicators flash alternatively, please wait.

**Note:** cards can be presented in rapid succession - there is no need to wait for the green or red LED to extinguish before presenting another card.

9600-0344. Installation and User Instructions for S831 Readers, Issue 1.0x1 17th Oct. 2003. © AMAG Technology, 2003.

**FCC Notice:** This device complies with Part 15 of the FCC Rules. Operation is subject to the following two conditions: (1) This device may not cause harmful interference, and (2) this device must accept any interference received, including interference that may cause undesired operation.

Any unauthorized modification to this device may void the authority of the user to operate it.

All trademarks acknowledged. Texas Instruments is a trademark of Texas Instruments Incorporated. Philips and MIFARE are registered trademarks of Philips Electronics, NV.

**Specifications**

Input voltage: 9-14V.

Input current: xxmA @ nominal 12Vdc supply.

Operating temperature: -13 to 158°F (-25 to 70°C).

Operating humidity: 15 to 90%, non-condensing.

Maximum read range: xx" (xxmm).

Approvals: EN50133, R&TTE, IP656.