

Installation and User Instructions for S880 Readers

The S880 is a 125kHz proximity card reader that is capable of reading HID® format card, with Graphic LCD and keypad. The reader can be set to use Wiegand or 20mA current loop communications.



1 Mount the Backplate

Mount the backplate using countersunk headed screws adjacent to the opening edge of the door and at a convenient height (recommended height is 5' (1.5m) to top of unit).

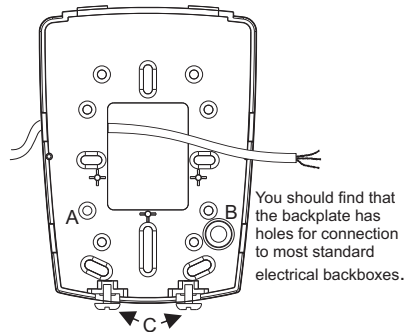
If fixing hole 'A' is used then the breakout must be removed and the screw must not protrude.

Feed the required cables through the backplate:

The cable from the controller.

General Purpose Input / Output cable (Optional)

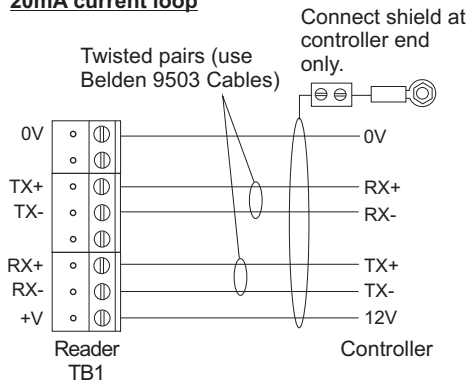
If wall tamper function is to be used then breakout 'B' must be removed and an appropriate wall screw fitted through the hole to actuate the tamper lever.



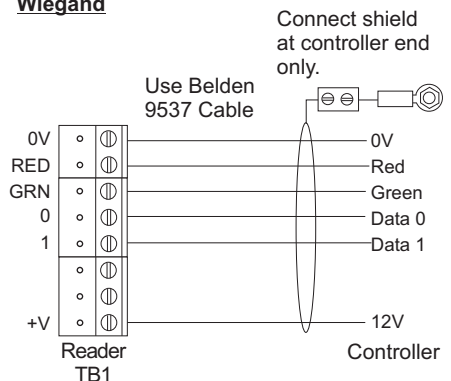
The securing screws 'C' are integral to the backplate and are unscrewed via the small holes in the enclosure so that the screw heads locate in the counterbored holes on the inside of the enclosure.

2 Reader Connections

20mA current loop



Wiegand



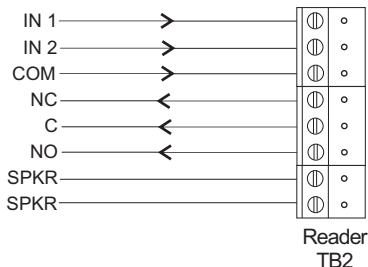
Note: Use LK2 to select the communications mode (See Step 3).

3 Reader Links

Set LK2 (COMMS) across the center and WE pin for Wiegand communications, or across the center and CL pin for 20mA current loop communications. Set LK3 (USER Keypad audio feedback) to 1 for sound on, or 0 for sound off.

4 General Purpose Inputs & Outputs (Optional)

I/O Connections



5 Using the Reader

Present the card face-on to the reader until you hear a "bleep". Cards can be presented in rapid succession; there is no need, for example, to wait for "UNLOCKED" to disappear before presenting another.

If the reader has been enabled for user-code mode at the controller, you can gain access by pressing the × key, entering your card number, then pressing the ✓ key.

LED Status Indicator

GREEN – The lock is released and you may open the door.

RED – You do not have access rights to gain entry, or the reader did not read your card properly (in this case, present it again).

YELLOW – Enter your PIN. If you make a mistake, the message INVALID PIN is momentarily displayed, followed by ENTER PIN, to prompt you to try again.

A Setup menu can be displayed by pressing the × and ✓ keys simultaneously while power is applied. You can use the menu to change the contrast and language used for the LCD (default English). Use the four function keys to navigate around the menu.

9600-0568. Installation and User Instructions for S880 Readers, Issue 1.0 11th March 2011. © G4S Technology, 2011.

FCC Notice: This device complies with Part 15 of the FCC Rules. Operation is subject to the following two conditions: (1) This device may not cause harmful interference, and (2) this device must accept any interference received, including interference that may cause undesired operation.

Any unauthorized modification to this device may void the authority of the user to operate it. All trademarks acknowledged.

Specifications

Input voltage: 9-14Vdc.

Input current: 200mA @ nom. 12Vdc.

Operating temperature: 14 to 131°F (-10 to 55°C)

Operating humidity: 15 to 90%, non-condensing.

Maximum read range: 4" (100mm).

Approvals: EN50133, EN300330, EN301489

