

MANUAL FOR Portable BLUETOOTH SPEAKER S11

For correctly operating , please read this manual carefully before using. Any content revise of the manual won't declare again, and we are no responsible for consequence caused by fault or oversight of this manual



FEATURES:

1. 2.1 outdoor Passive Bluetooth Speaker with 3 inch subwoofer
2. Output very clear sound and heavy bass, dynamic sound effect
3. With A2DP Bluetooth, wireless stream music from any Bluetooth-enabled device such as your mobile phone, notebook, iPhone or iPad
4. Secure simple pairing for user-friendly operating
5. 10 meters operating range
6. With USB and SD card supporting;
7. With FM radio
8. With Line-in function, suitable for PC, MID, TV and other audio device.
9. Side panel control for volume and bass;
10. Built-in lithium rechargeable battery 1000mAh
11. With handle & strap, easy to take out.

SPECIFICATION:

Horn Size: 2 inch

Subwoofer Size: 3 inch

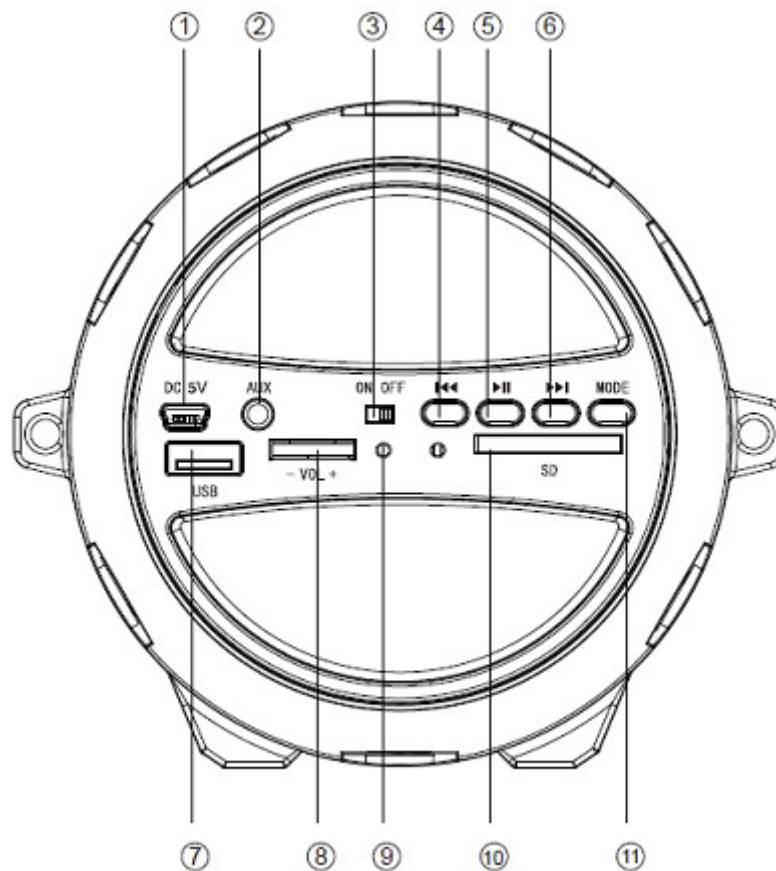
Horn output: 2W*2, 4Ω

Subwoofer output: 5W, 4Ω

Battery Capacity: 1000mAh

Frequency Response:300-16Khz

INSTRUNCTION FOR APPEARANCE AND KEY:



- | | | |
|------------------|--|------------------|
| 1. Charging jack | 2. Aux-in jack | 3. ON/OFF button |
| 4. Forward | 5. Play/Pause | 6. Backward |
| 7.USB port | 8.Volume Gear | 9. LED indicator |
| 10. SD slot | 11. Mode (Switch Bluetooth,USB disk, SD,FM and AUX-IN state) | |

Bluetooth:

1.Turn the power button to “ON”, The LED light turn blue and twinkle quickly and beep twice.

2.Activate *Bluetooth* of mobile phone and search for device name “BT speaker” then connect it. The blue LED light twinkle slowly and and beep third times once connected successful.

3. Play the music from your mobile phone and enjoy.

4. Press LAST or NEXT button on the devices or on Mobile phones to select songs you like.

5. Press Play/pause button on the devices or on Mobile phones to play/stop the music

6. Use the “Volume Gear “to adjust volume up and down. Or adjust the mobile phones’ volume.

Playing music from USB disk & SD card:

1. Turn the Power button to "ON".
2. Insert SD card or USB flash disk into slot, the music stored will be played automatically and blue LED light always keep lighting.
3. Under playing mode, short press Forward or Backward button to select songs you like, long press to fast forward or backward the song.
4. Press PLAY/PAUSE to play or pause.
5. Please turn the Power button to "OFF" while without use.

Remark: Under Bluetooth playing mode, insert SD or USB will disconnect the Bluetooth and switch the playing from USB or SD card. You can press the MODE button to switch to Bluetooth mode again.

FM Radio:

1. Under FM radio state, the audio cable provided treat as antennal. Please Insert the audio cable to get the best FM signal before using.
2. Turn the power button to "ON", press the "MODE" button to switch to FM radio state.
3. Under playing mode, short press "Play/pause" button to auto search the FM Channel and store it automatically.
4. Press LAST or NEXT button to change the stored FM channel.

AUX-IN:

For other compatible music devices or your MP3/MP4 players, use the supplied audio line cable to connect from the device's "Line Out" to the "Aux In" of this devices. Then press the "MODE" button to switch to AUX-IN state. Enjoy...

When using an external device, all functions will be controlled by the external device except the "Play/pause" button.

Remarks:

1. Press the MODE button to switch the different modes, the order is Bluetooth, SD, USB disk, FM radio and AUX-IN.
2. Turn the power button to "off" to cut off the power supply while without use.

How to charge:

1. Power off the unit, put the provided charge cable into the charge slot of unit, connect the other end to PC or other charger with 5V output (Not included), the red charging indicator keep lighting.
2. Charge time should be 3-5 hours. When charging full, the indicator light will switch off.
3. In order to prolong the life of battery, please do not charge more than 8 hours.

FCC NOTE:

This device complies with Part 15 of the FCC Rules.

Operation is subject to the following two conditions: (1) this device may not cause harmful interference, and (2) this device must accept any interference received, including interference that may cause undesired operation.

THE MANUFACTURER IS NOT RESPONSIBLE FOR ANY RADIO OR TV INTERFERENCE CAUSED BY UNAUTHORIZED MODIFICATIONS OR CHANGE TO THIS EQUIPMENT. SUCH MODIFICATIONS OR CHANGE COULD VOID THE USER'S AUTHORITY TO OPERATE THE EQUIPMENT.