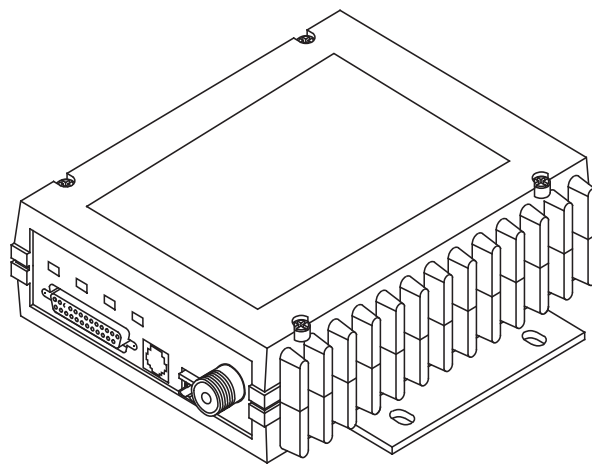


# MDS 4710/9710 Series

*(Including MDS 4710A/C and MDS 9710 A/C)*



## 400 MHz/900 MHz Remote Data Transceiver

MDS 05-3305A01, Rev. B  
SEPTEMBER 2000



Microwave Data Systems Inc.

---

# QUICK START GUIDE

---

Below are the basic steps for installing the transceiver. Detailed instructions are given in “INSTALLATION” on page 9 of this guide.

## 1. Install and connect the antenna system to the radio

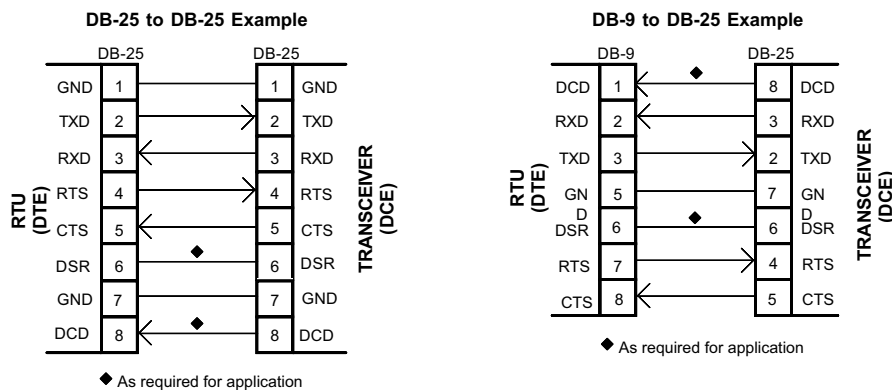
---

- Use good quality, low loss coaxial cable. Keep the feedline as short as possible.
- Preset directional antennas in the direction of desired transmission.

## 2. Connect the data equipment to the radio’s INTERFACE connector

---

- Connection to the radio must be made with a DB-25 Male connector. Connections for typical systems are shown below.
- Connect only the required pins. Do not use a straight-through RS-232 cable with all pins wired.
- Verify the data equipment is configured as DTE. (By default, the radio is configured as DCE.)



## 3. Apply DC power to the radio (10.5–16 Vdc @ 2.5 A minimum)

---

- Observe proper polarity. The red wire is the positive lead; the black is negative.

## 4. Set the radio’s basic configuration with a Hand-Held Terminal (HHT)

---

- Set the transmit frequency (TX xxx.xxxx).
- Set the receive frequency (RX xxx.xxxx).
- Set the baud rate/data interface parameters as follows. Use the **BAUD xxxxx abc** command, where **xxxxx** equals the data speed (110–38400 bps) and **abc** equals the communication parameters as follows:
  - a** = Data bits (7 or 8)
  - b** = Parity (N for None, O for Odd, E for Even)
  - c** = Stop bits (1 or 2)(Example: **BAUD 9600 8N1**)

NOTE: 7N1, 8E2 and 8O2 are invalid parameters and are not supported by the transceiver.

## 5. Verify proper operation by observing the LED display

---

- Refer to Table 5 on page 16 for a description of the status LEDs.
- Refine directional antenna headings for maximum receive signal strength using the **RSSI** command.

# TABLE OF CONTENTS

1.0 GENERAL.....	1
1.1 Introduction .....	1
1.2 Applications .....	2
Point-to-Multipoint, Multiple Address Systems (MAS) .....	2
Point-to-Point System .....	3
Continuously Keyed versus Switched Carrier Operation .....	3
Single Frequency (Simplex) Operation .....	3
1.3 Model Number Codes .....	3
1.4 Accessories .....	4
2.0 GLOSSARY OF TERMS.....	6
3.0 INSTALLATION .....	9
3.1 Installation Steps .....	9
3.2 Transceiver Mounting .....	11
3.3 Antennas and Feedlines .....	11
Feedlines .....	12
3.4 Power Connection .....	13
3.5 Data Interface Connections .....	13
3.6 Using the Radio's Sleep Mode .....	13
System Example.....	13
4.0 OPERATION .....	15
4.1 LED Indicators .....	16
4.2 RSSI Measurement .....	16
5.0 TRANSCEIVER PROGRAMMING .....	17
5.1 Hand-Held Terminal Connection & Startup .....	17
5.2 Hand-Held Terminal Setup .....	18
5.3 Keyboard Commands .....	19
Entering Commands.....	19
Error Messages .....	19
5.4 Detailed Command Descriptions .....	22
AMASK [0000 0000–FFFF FFFF] .....	22
ASENSE [HI/LO].....	23
BAUD [xxxxx abc].....	23
BUFF [ON, OFF].....	24
CKEY [ON–OFF] .....	24
CTS [0–255] .....	24
DATAKEY [ON, OFF] .....	24
DEVICE [DCE, CTS KEY] .....	25
DKEY .....	25
DLINK [ON/OFF/xxxx] .....	25

DMGAP [xx].....	25
DTYPE [NODE/ROOT] .....	26
DUMP .....	26
HREV.....	26
INIT.....	26
INIT [4710/9710].....	26
INIT [4720/9720].....	27
KEY .....	27
MODEL.....	27
MODEM [xxxx, NONE] .....	27
OWM [XXX...] .....	27
OWN [XXX...].....	27
PTT [0-255].....	27
PWR [20-37] .....	27
RSSI .....	28
RTU [ON/OFF/0-80].....	28
RX [xxx.xxxx].....	28
RXTOT [NONE, 1-255] .....	28
SCD [0-255].....	29
SER .....	29
SHOW [DC, PORT, PWR].....	29
SNR .....	29
SREV .....	29
STAT .....	29
TEMP.....	30
TOT [1-255, ON, OFF].....	30
TX [xxx.xxxx] .....	30
UNIT [10000..65000] .....	30
<b>6.0 TROUBLESHOOTING .....</b>	<b>30</b>
6.1 LED Indicators .....	31
6.2 Event Codes .....	31
Checking for Alarms—STAT command.....	31
Major Alarms vs. Minor Alarms.....	32
Event Code Definitions .....	32
<b>7.0 TECHNICAL REFERENCE .....</b>	<b>33</b>
7.1 MDS 4710/9710 Transceiver Specifications .....	33
7.2 Helical Filter Adjustment .....	36
7.3 Performing Network-Wide Remote Diagnostics .....	37
7.4 Upgrading the Radio's Software .....	38
7.5 dBm-Watts-Volts Conversion Chart .....	40

## Copyright Notice

This Installation and Operation Guide and all software described herein are protected by **copyright: 2000 Microwave Data Systems Inc.** All rights reserved.

Microwave Data Systems Inc. reserves its right to correct any errors and omissions in this publication.

## RF Exposure



## Operational Safety Notices

The radio equipment described in this guide emits radio frequency energy. Although the power level is low, the concentrated energy from a directional antenna may pose a health hazard. Do not allow people to come closer than 5 meters to the front of the antenna when the transmitter is operating.

This manual is intended to guide a professional installer to install, operate and perform basic system maintenance on the described radio.

## ISO 9001 Registration

Microwave Data Systems' adheres to this internationally accepted quality system standard.

## MDS Quality Policy Statement

We, the employees of Microwave Data Systems Inc., are committed to achieving total customer satisfaction in everything we do.

### Total Customer Satisfaction in:

- Conception, design, manufacture and marketing of our products.
- Services and support we provide to our internal and external customers.

### Total Customer Satisfaction Achieved Through:

- Processes that are well documented and minimize variations.
- Partnering with suppliers who are committed to providing quality and service.
- Measuring our performance against customer expectations and industry leaders.
- Commitment to continuous improvement and employee involvement.

## FM/UL/CSA Notice

This product is available for use in Class I, Division 2, Groups A, B, C & D Hazardous Locations. Such locations are defined in Article 500 of the National Fire Protection Association (NFPA) publication NFPA 70, otherwise known as the National Electrical Code.

The transceiver has been recognized for use in these hazardous locations by three independent agencies —Underwriters Laboratories (UL), Factory Mutual Research Corporation (FMRC) and the Canadian Standards Association (CSA). The UL certification for the transceiver is as a Recognized Component for use in these hazardous locations, in accordance with UL Standard 1604. The FMRC Approval is in accordance with FMRC Standard 3611. The CSA Certification is in accordance with CSA STD C22.2 No. 213-M1987.

#### FM/UL/CSA Conditions of Approval:

The transceiver is not acceptable as a stand-alone unit for use in the hazardous locations described above. It must either be mounted within another piece of equipment which is certified for hazardous locations, or installed within guidelines, or conditions of approval, as set forth by the approving agencies. These conditions of approval are as follows:

1. The transceiver must be mounted within a separate enclosure which is suitable for the intended application.
2. The antenna feedline, DC power cable and interface cable must be routed through conduit in accordance with the National Electrical Code.
3. Installation, operation and maintenance of the transceiver should be in accordance with the transceiver's installation manual, and the National Electrical Code.
4. Tampering or replacement with non-factory components may adversely affect the safe use of the transceiver in hazardous locations, and may void the approval.
5. When installed in a Class I, Div. 2, Groups A, B, C or D hazardous location, observe the following:  
**WARNING —EXPLOSION HAZARD—** Do not disconnect equipment unless power has been switched off or the area is known to be non-hazardous.

Refer to Articles 500 through 502 of the National Electrical Code (NFPA 70) for further information on hazardous locations and approved Division 2 wiring methods.

## Revision Notice

While every reasonable effort has been made to ensure the accuracy of this manual, product improvements may result in minor differences between the manual and the product shipped to you. If you have additional questions or need an exact specification for a product, please contact our Customer Service Team using the information at the back of this guide. In addition, manual updates can often be found on the MDS Web site at [www.microwavedata.com](http://www.microwavedata.com).

## Distress Beacon Warning

In the U.S.A., the 406 to 406.1 MHz band is reserved for use by distress beacons. Since the radio described in this manual is capable of transmitting in this band, take precautions to prevent the radio from transmitting between 406 to 406.1 MHz in U.S. applications.

### FCC Notice, U.S.A.

This equipment has been tested and found to comply with the limits for a Class A digital device, pursuant to Part 15 of the FCC Rules. These limits are designed to provide reasonable protection against harmful interference when the equipment is operated in a commercial environment. This equipment generates, uses, and can radiate radio frequency energy and, if not installed and used in accordance with the instruction manual, may cause harmful interference to radio communications. Operation of this equipment in a residential area is likely to cause harmful interference in which case the user will be required to correct the interference at his own expense.

Any unauthorized modification or changes to this device without the express approval of Microwave Data Systems may void the user's authority to operate this device.





# 1.0 GENERAL

## 1.1 Introduction

This guide presents installation and operating instructions for the MDS 4710/9710 Series (400/900 MHz) digital radio transceivers.

These transceivers (Figure 1) are data telemetry radios designed to operate in a point-to-multipoint environment, such as electric utility Supervisory Control and Data Acquisition (SCADA) and distribution automation, gas field automation, water and wastewater SCADA, and on-line transaction processing applications. They use microprocessor control and Digital Signal Processing (DSP) technology to provide highly reliable communications even under adverse conditions.

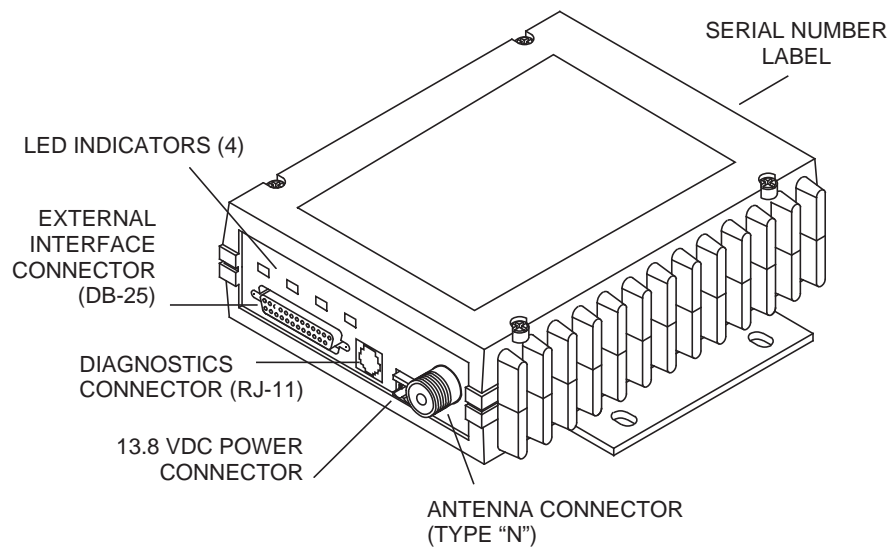
Modulation and demodulation is accomplished using Digital Signal Processing (DSP). DSP adapts to differences between components from unit to unit, and ensures consistent and repeatable performance in ambient temperatures from -30 to +60 degrees Centigrade. The use of Digital Signal Processing eliminates the fluctuations and variations in modem operation that degrade operation of analog circuits.

The transceiver is designed for trouble-free operation with data equipment provided by other manufacturers, including Remote Terminal Units (RTUs), flow computers, lottery terminals, automatic teller machines, programmable logic controllers, and others.

---

**NOTE:** Some features may not be available on all radios, based on the options purchased and based on the applicable regulatory constraints for the region in which the radio will operate.

---



**Figure 1. Transceiver Connectors and Indicators**

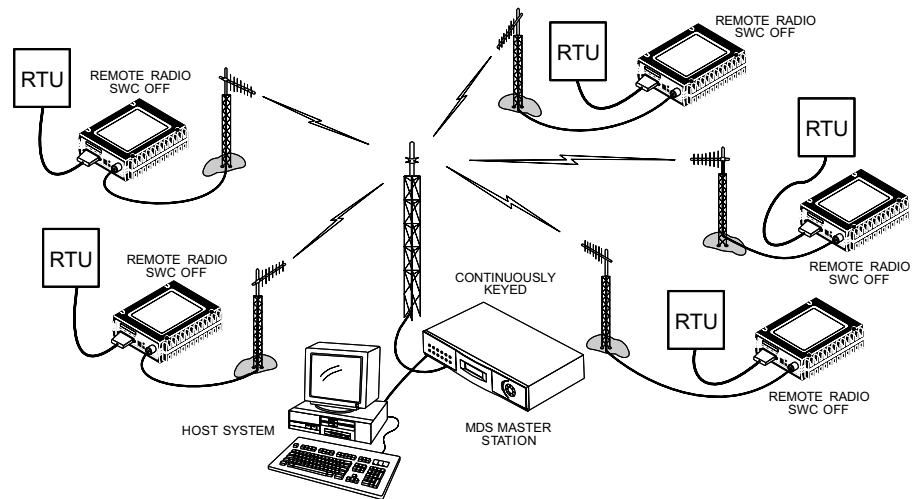
## 1.2 Applications

### Point-to-Multipoint, Multiple Address Systems (MAS)

This is the most common application of the transceiver. It consists of a central master station and several associated remote units as shown in Figure 2. An MAS network provides communications between a central host computer and remote terminal units (RTUs) or other data collection devices. The operation of the radio system is transparent to the computer equipment.

Often, however, a radio system consists of many widely separated remote radios. A point-to-multipoint or SCADA (Supervisory Control and Data Acquisition) system may be a new installation for automatic, remote monitoring of gas wells, water tank levels, electric power distribution system control and measurement, etc.

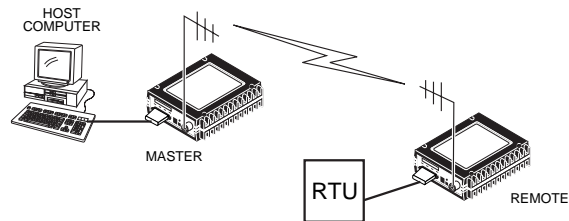
The radio system may replace a network of remote monitors currently linked to a central location via leased telephone line. At the central office of such a system, there is usually a large mainframe computer and some means of switching between individual lines coming from each remote monitor. In this type of system, there is a modulator/demodulator (modem) at the main computer, and at each remote site, usually built into the remote monitor itself. Since the cost of leasing a dedicated-pair phone line is quite high, a desirable alternative may be replacing the phone line with a radio path.



**Figure 2. Typical MAS Point-to-Multipoint Network**

## Point-to-Point System

Where permitted, the transceiver may also be used in a point-to-point arrangement. A point-to-point system consists of just two radios—one serving as a master and the other as a remote—as shown in Figure 3. It provides a simplex or half-duplex communications link for the transfer of data between two locations.



**Figure 3. Typical Point-to-Point Link**

## Continuously Keyed versus Switched Carrier Operation

The keying behavior of the master station can be used to describe an MAS system.

*Continuously Keyed* operation means the master station transmitter is always keyed and an RF carrier is always present, even when there is no data to send. The master station is always simultaneously transmitting and continuously listening. Different frequencies must be used for transmit and receive. This is the method used in many MAS systems, and is shown in Figure 2. This is useful for high-speed polling applications.

---

**NOTE:** 4710/9710 remotes do not support full-duplex operation.

---

*Switched Carrier* operation is a half-duplex mode of operation where the master station transmitter is keyed to send data and unkeyed to receive.

## Single Frequency (Simplex) Operation

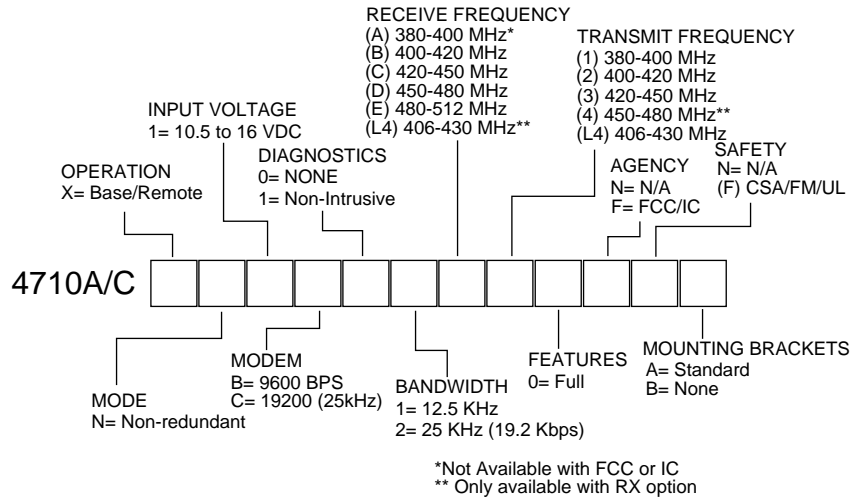
Single frequency operation (also known as simplex) is a special case of switched carrier operation. Single frequency operation is automatically selected whenever the transmit and receive frequencies are set to the same value. Note that data turn-around times are increased when a single frequency configuration is used.

## 1.3 Model Number Codes

The radio model number is printed on the end of the radio enclosure, and provides key information about how the radio was configured when it was shipped from the factory. See Figure 4 and Figure 5 for an explanation of the model number characters.

**THIS INFORMATION IS SUBJECT TO CHANGE.**

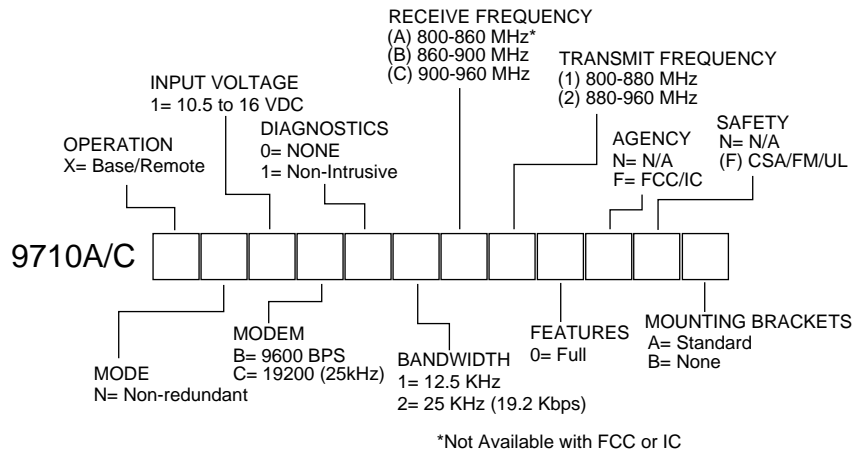
**DO NOT USE FOR PRODUCT ORDERING.**



**Figure 4. 4710 Model Number Codes**

**THIS INFORMATION IS SUBJECT TO CHANGE.**

**DO NOT USE FOR PRODUCT ORDERING.**



**Figure 5. 9710 Model Number Codes**

## 1.4 Accessories

The transceiver can be used with one or more of the accessories listed in Table 1. Contact Microwave Data Systems for ordering information.

**Table 1. MDS 4710/9710 Optional Accessories**

<b>Accessory</b>	<b>Description</b>	<b>MDS P/N</b>
Hand-Held Terminal Kit (HHT)	Terminal that plugs into the radio for programming, diagnostics & control. Includes carrying case and cable set.	02-1501A01
RTU Simulator	Test unit that simulates data from a remote terminal unit. Comes with polling software that runs on a PC. Useful for testing radio operation.	03-2512A01
Order Wire Module	External device that allows temporary voice communication. Useful during setup & testing of the radio system.	02-1297A01
Order Wire Handset	Used with Order Wire Module (above).	12-1307A01
RJ-11 to DB-9 adapter	Used to connect a PC to the radio's DIAG. port	03-3246A01
EIA-232 to EIA-422 Converter Assembly	External adapter plug that converts the radio's DATA INTERFACE connector to EIA-422 compatible signaling.	03-2358A01
Radio Configuration Software	Provides diagnostics of the transceiver (Windows-based PC required.)	03-3156A01

## 2.0 GLOSSARY OF TERMS

If you are new to digital radio systems, some of the terms used in this guide may be unfamiliar. The following glossary explains many of these terms and will prove helpful in understanding the operation of the transceiver.

**Active Messaging**—This is a mode of diagnostic gathering that may interrupt SCADA system polling communications (contrast with *passive messaging*). Active (or intrusive) messaging is much faster than passive messaging because it is not dependent upon the RTU polling cycle.

**Antenna System Gain**—A figure, normally expressed in dB, representing the power increase resulting from the use of a gain-type antenna. System losses (from the feedline and coaxial connectors, for example) are subtracted from this figure to calculate the total antenna system gain.

**Bit**—The smallest unit of digital data, often represented by a one or a zero. Eight bits (plus start, stop, and parity bits) usually comprise a byte.

**Bits-per-second**—See *BPS*.

**BPS**—Bits-per-second. A measure of the information transfer rate of digital data across a communication channel.

**Byte**—A string of digital data usually made up of eight data bits and start, stop and parity bits.

**Decibel (dB)**—A measure computed from the ratio between two signal levels. Frequently used to express the gain (or loss) of a system.

**Data Circuit-terminating Equipment**—See *DCE*.

**Data Communications Equipment**—See *DCE*.

**Data Terminal Equipment**—See *DTE*.

**dBi**—Decibels referenced to an “ideal” isotropic radiator in free space. Frequently used to express antenna gain.

**dBm**—Decibels referenced to one milliwatt. An absolute unit used to measure signal power, as in transmitter power output, or received signal strength.

**DCE**—Data Circuit-terminating Equipment (or Data Communications Equipment). In data communications terminology, this is the “modem” side of a computer-to-modem connection. The MDS 4710/9710 is a DCE device.

**Digital Signal Processing**—See *DSP*.

**DSP**—Digital Signal Processing. In the MDS 4710/9710 transceiver, the DSP circuitry is responsible for the most critical real-time tasks; primarily modulation, demodulation, and servicing of the data port.

**DTE**—Data Terminal Equipment. A device that provides data in the form of digital signals at its output. Connects to the DCE device.

**Equalization**—The process of reducing the effects of amplitude, frequency or phase distortion with compensating networks.

**Fade Margin**—The greatest tolerable reduction in average received signal strength that will be anticipated under most conditions. Provides an allowance for reduced signal strength due to multipath, slight antenna movement or changing atmospheric losses. A fade margin of 20 to 30 dB is usually sufficient in most systems.

**Frame**—A segment of data that adheres to a specific data protocol and contains definite start and end points. It provides a method of synchronizing transmissions.

**Hardware Flow Control**—A transceiver feature used to prevent data buffer overruns when handling high-speed data from the RTU or PLC. When the buffer approaches overflow, the radio drops the clear-to-send (CTS) line, which instructs the RTU or PLC to delay further transmission until CTS again returns to the high state.

**Host Computer**—The computer installed at the master station site, which controls the collection of data from one or more remote sites.

**Intrusive Diagnostics**—A mode of remote diagnostics that queries and commands radios in a network with an impact on the delivery of the system “payload” data. See *Active messaging*.

**Latency**—The delay (usually expressed in milliseconds) between when data is applied to TXD (Pin 2) at one radio, until it appears at RXD (Pin 3) at the other radio.

**MAS**—Multiple Address System. A radio system where a central master station communicates with several remote stations for the purpose of gathering telemetry data.

**Master (Station)**—Radio which is connected to the host computer. It is the point at which polling enters the network.

**MCU**—Microcontroller Unit. This is the processor responsible for controlling system start-up, synthesizer loading, and key-up control.

**Microcontroller Unit**—See *MCU*.

**Multiple Address System**—See *MAS*.

**Network-Wide Diagnostics**—An advanced method of controlling and interrogating MDS radios in a radio network.

**Non-intrusive diagnostics**—See *Passive messaging*.

**Passive messaging**—This is a mode of diagnostic gathering that does not interrupt SCADA system polling communications. Diagnostic data is collected non-intrusively over a period of time; polling messages are carried with SCADA system data (contrast with *active messaging*).

**Payload data**—This is the application's user communication data which is sent over the radio network. It is the transfer of payload data that is the primary purpose of the radio communications network.

**Point-Multipoint System**—A radio communications network or system designed with a central control station that exchanges data with a number of remote locations equipped with terminal equipment.

**Poll**—A request for data issued from the host computer (or master PLC) to a remote radio.

**PLC**—Programmable Logic Controller. A dedicated microprocessor configured for a specific application with discrete inputs and outputs. It can serve as a host or as an RTU.

**Programmable Logic Controller**—See *PLC*.

**Remote (Station)**—A radio in a network that communicates with an associated master station.

**Remote Terminal Unit**—See *RTU*.

**Redundant Operation**—A station arrangement where *two* transceivers and two power supplies are available for operation, with automatic switchover in case of a failure.

**RTU**—Remote Terminal Unit. A data collection device installed at a remote radio site. An internal RTU *simulator* is provided with 4710/9710 radios to isolate faults to either the external RTU or the radio.

**SCADA**—Supervisory Control And Data Acquisition. An overall term for the functions commonly provided through an MAS radio system.

**Standing Wave Ratio**—See *SWR*.

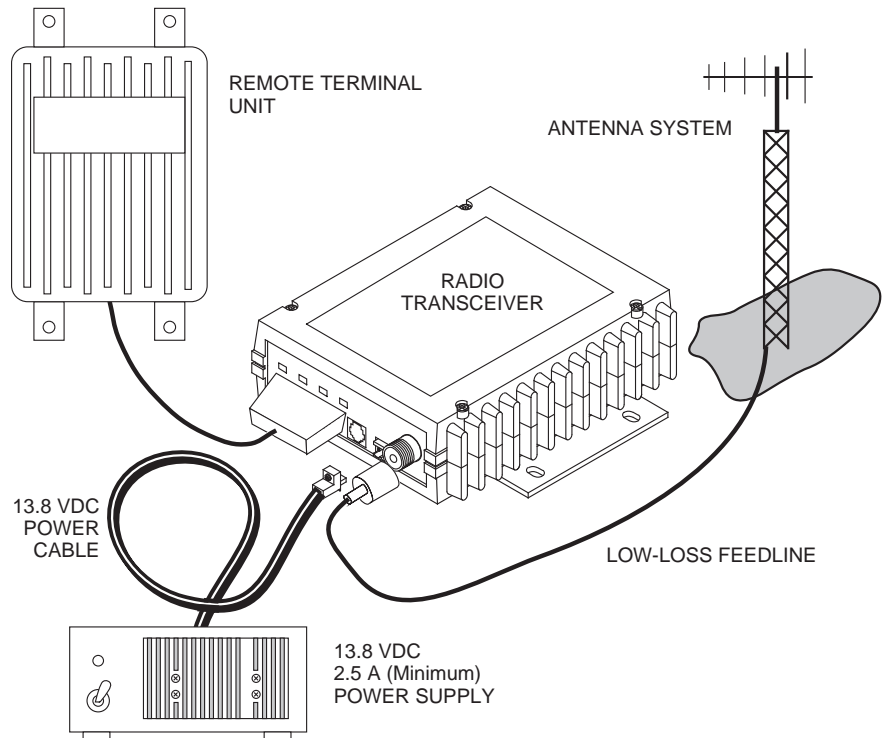
**Supervisory Control And Data Acquisition**—See *SCADA*.

**SWR**—Standing Wave Ratio. A parameter related to the ratio between forward transmitter power and the reflected power from the antenna system. As a general guideline, reflected power should not exceed 10% of the forward power ( $\approx 2:1$  SWR).



### 3.0 INSTALLATION

There are three main requirements for installing the transceiver—adequate and stable primary power, a good antenna system, and the correct data connections between the transceiver and the data device. Figure 6 shows a typical remote station arrangement.



**Figure 6. Typical Remote Station Arrangement**

#### 3.1 Installation Steps

Below are the basic steps for installing the transceiver. In most cases, these steps alone are sufficient to complete the installation. More detailed explanations appear at the end of these steps.

1. Mount the transceiver to a stable surface using the brackets supplied with the radio.
2. Install the antenna and antenna feedline for the station. Preset directional antennas in the desired direction.
3. Connect the data equipment to the transceiver’s DATA INTERFACE connector. Use only the required pins for the application—Do *not* use a fully pinned (25 conductor) cable. Basic applications may require only the use of Pin 2 (transmit data—TXD), Pin 3 (Received Data—RXD) and Pin 7 (signal ground). The radio can be keyed

with the use of the **DATAKEY** command.

Additional connections may be required for some installations. Refer to the complete list of pin functions provided in Table 4 on page 14.

4. Measure and install the primary power for the radio. The red wire on the power cable is the positive lead; the black is negative.

---

**NOTE:** Use the radio in negative ground systems only.

---

5. Set the radio configuration. The transceiver is designed for quick installation with a minimum of software configuration required in most cases. The selections that *must* be made for new installations are:

- Transmit frequency
- Receive frequency

The operating frequencies are not set at the factory unless they were specified at the time of order. Determine the transmit and receive frequencies to be used, and follow the steps below to program them.

6. Connect a hand-held terminal (HHT) to the DIAG. connector. When the HHT beeps, press **ENTER** to receive the ready “>” prompt.
  - a. Set the operating frequencies using the **TX xxx.xxxx** (transmit) and **RX xxx.xxxx** (receive) commands.

Press **ENTER** after each command. After programming, the HHT reads **PROGRAMMED OK** to indicate successful entry.

### 3.2 Transceiver Mounting

Figure 7 shows the mounting dimensions of the transceiver.

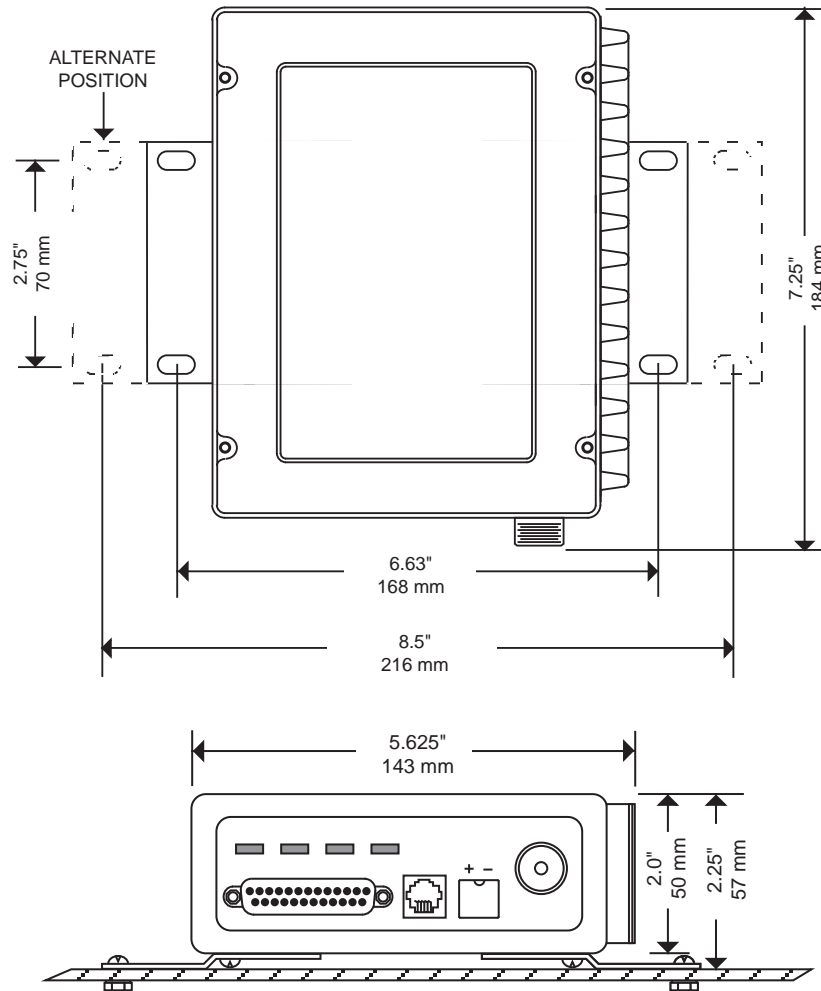
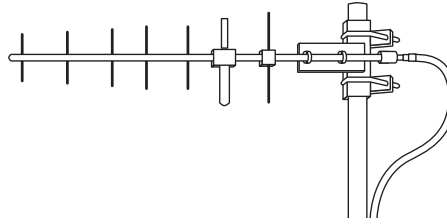


Figure 7. Transceiver Mounting Dimensions

### 3.3 Antennas and Feedlines

#### Antennas

The transceiver can be used with a number of antennas. The exact style depends on the physical size and layout of the radio system. A directional Yagi (Figure 8) or corner reflector antenna is generally recommended at remote sites to minimize interference to and from other users. Antennas of this type are available from several manufacturers.



**Figure 8. Typical Yagi Antenna (mounted to mast)**

**Feedlines**

The selection of antenna feedline is very important. Poor quality cables should be avoided as they will result in power losses that may reduce the range and reliability of the radio system.

Table 2 and Table 3 show the losses that will occur when using various lengths and types of cable at 400 and 960 MHz. Regardless of the type of cable used, it should be kept as short as possible to minimize signal loss.

**Table 2. Length vs. Loss in Coaxial Cables at 400 MHz**

<b>Cable Type</b>	<b>10 Feet (3.05 Meters)</b>	<b>50 Feet (15.24 Meters)</b>	<b>100 Feet (30.48 Meters)</b>	<b>500 Feet (152.4 Meters)</b>
RG-8A/U	0.51dB	2.53 dB	5.07 dB	25.35 dB
1/2 inch HELIAX	0.12 dB	0.76 dB	1.51 dB	7.55 dB
7/8 inch HELIAX	0.08 dB	0.42 dB	0.83 dB	4.15 dB
1-1/4 inch HELIAX	0.06 dB	0.31 dB	0.62 dB	3.10 dB
1-5/8 inch HELIAX	0.05 dB	0.26 dB	0.52 dB	2.60 dB

**Table 3. Length vs. Loss in Coaxial Cables at 960 MHz**

<b>Cable Type</b>	<b>10 Feet (3.05 Meters)</b>	<b>50 Feet (15.24 Meters)</b>	<b>100 Feet (30.48 Meters)</b>	<b>500 Feet (152.4 Meters)</b>
RG-8A/U	0.85 dB	4.27 dB	8.54 dB	42.70 dB
1/2 inch HELIAX	0.23 dB	1.15 dB	2.29 dB	11.45 dB
7/8 inch HELIAX	0.13 dB	0.64 dB	1.28 dB	6.40 dB
1-1/4 inch HELIAX	0.10 dB	0.48 dB	0.95 dB	4.75 dB
1-5/8 inch HELIAX	0.08 dB	0.40 dB	0.80 dB	4.00 dB

### 3.4 Power Connection

The transceiver can be operated from any well-filtered 10.5 to 16 Vdc power source. The power supply should be capable of providing at least 2.5 amperes of continuous current.

The red wire on the power cable is the positive lead; the black is negative.

---

**NOTE:** The radio is designed for use only in negative ground systems.

---

### 3.5 Data Interface Connections

The transceiver's DATA INTERFACE connector is used to connect the transceiver to an external DTE data terminal that supports the EIA-232 (formally RS-232) format. The transceiver supports asynchronous data rates of up to 38400 bps. The data rate at the DATA INTERFACE connector may differ from the data rate used over the air.

Table 4 lists each pin on the DATA INTERFACE connector and describes its function.



Do not use a 25 wire (fully pinned) cable for connection to the DATA INTERFACE connector. Use *only* the required pins for the application. Damage may result if improper connections are made. Typical applications require the use of *only* Pins 1 through 8 for EIA-232 signaling.

### 3.6 Using the Radio's Sleep Mode

In some installations, such as at solar-powered sites, it may be necessary to keep the transceiver's power consumption to an absolute minimum. This can be accomplished using the Sleep Mode. In this mode, power consumption is reduced to less than 16 milliamperes (nominal).

Sleep mode can be enabled under RTU control by asserting a ground (or RS-232 low) on Pin 12 of the radio's DATA INTERFACE connector.

When Pin 12 is opened (or an RS-232 high is asserted), the radio will be ready to receive data within 75 milliseconds.

All normal functions are suspended while the radio is in sleep mode. The PWR LED will be off, except for a quick flash every five seconds.

#### System Example

The following example describes Sleep Mode implementation in a typical system. Using this information, you should be able to configure a system that will meet your own particular needs.

### Sleep Mode Example:

Suppose you need communications to each remote site only once per hour. Program the RTU to raise an RS-232 line once each hour (DTR for example) and wait for a poll and response before lowering it again. Connect this line to Pin 12 of the radio's DATA INTERFACE connector. This will allow each RTU to be polled once per hour with a significant savings in power consumption.

**Table 4. DATA INTERFACE Connector Pinouts**

Pin Number	Input/Output	Pin Description
1	--	<b>Protective Ground.</b> Connects to ground (negative supply potential) on the radio's PC board and chassis.
2	IN	<b>TXD—Transmitted Data.</b> Accepts TX data from the connected device.
3	OUT	<b>RXD—Received Data.</b> Outputs received data to the connected device.
4	IN	<b>RTS—Request-to-Send Input.</b> Keys the transmitter when RTS is at logic high.
5	OUT	<b>CTS—Clear-to-Send Output.</b> Goes "high" after the programmed CTS delay time has elapsed (DCE) or keys an attached radio when RF data arrives (CTS KEY).
6	OUT	<b>DSR—Data Set Ready.</b> Provides a +6 Vdc DSR signal through a 2.5 k $\Omega$ resistor.
7	--	<b>Signal Ground.</b> Connects to ground (negative supply potential) at radio's PC board.
8	OUT	<b>DCD—Data Carrier Detect.</b> Goes "high" when the modem detects a data carrier from the master station.
9	IN	<b>Transmit Audio Input.</b> Connects to the audio output of an external (AFSK) modem. The input impedance is 600 $\Omega$ . Use Pin 7 for the modem's return lead.
10	OUT	<b>RUS—Receiver Unsquelled Sensor.</b> Not used in most installations, but is available as a convenience. Provides +8 Vdc through a 1 k $\Omega$ resistor whenever the receiver squelch is open, and drops to less than 1 Vdc when the squelch is closed.
11	OUT	<b>Receive Audio Output.</b> Connects to the audio input of an external (AFSK) modem. The output impedance is 600 $\Omega$ , and the level is factory set to suit most installations. Use Pin 7 for the modem's return lead.
12	IN	<b>Radio Inhibit (Sleep).</b> A ground on this pin places the radio into the "sleep" mode. It turns off most circuits in the radio, including transmit, receive, modem and diagnostic functions. This allows for greatly reduced power consumption, yet preserves the radio's ability to be quickly brought online.
13	--	Do not connect—Reserved for future use.
14	IN	<b>PTT—Push to Talk.</b> This line is used to key the radio with an active-high signal of +5 Vdc.

**Table 4. DATA INTERFACE Connector Pinouts (Continued)**

Pin Number	Input/Output	Pin Description
15	--	<b>.Remote RTU Reset.</b> Do not connect. Reserved for future use.
16	IN	<b>PTT—Push to Talk.</b> This line is used to key the radio with an active-low signal of 0 Vdc.
17	--	Do not connect—Reserved for future use.
18	IN/OUT	<b>Accessory Power.</b> Unregulated Input/Output. Provides a source of input power for low current accessories. Excessive drain on this connection will trip self-resetting fuse F1 on the transceiver PC board. The voltage at this pin will match the input voltage to the transceiver.
19	OUT	<b>9.9 Vdc Regulated Output.</b> Provides a source of regulated voltage at 100 mA for low power accessories.
20	--	Do not connect—Reserved for future use.
21	OUT	<b>RSSI—Received Signal Strength Indication.</b> A DC voltmeter may be connected to this pin to read the relative strength of the incoming signal. Figure 9 is a chart showing RSSI vs. DC voltage.
22	--	Do not connect—Reserved for future use.
23	IN	<b>Diagnostic Channel Enable.</b> A ground on this pin causes the radio's microcontroller to open the DB-25 DATA INTERFACE for diagnostics and control instead of the normal RJ-11 DIAG. connection.
24	--	Do not connect—Reserved for future use.
25	OUT	<b>Alarm.</b> A logic low (less than 0.5 volts) on this pin indicates normal operation. A logic high (greater than 4 volts) indicates that some alarm condition is present. This pin can be used as an alarm output, provided the internal series resistance of 1 k $\Omega$ is considered.

## 4.0 OPERATION

In-service operation of the transceiver is completely automatic. Once the unit has been properly installed and configured, operator actions are limited to observing the front panel LED status indicators for proper operation.

If all parameters are correctly set, operation of the radio can be started by following these steps:

1. Apply DC power to the transceiver.
2. Observe the LED status panel for the proper indications (Table 5).
3. If not done earlier, refine the antenna heading of the station to maximize the received signal strength (RSSI) from the master station.

Use the **RSSI** command from an HHT connected to the radio's DIAG.

connector.—See *Section 5.0, TRANSCEIVER PROGRAMMING* on page 17. This can also be done with a DC voltmeter as described in *Section 4.2, RSSI Measurement* (page 16).

## 4.1 LED Indicators

Table 5 describes the function of each status LED.

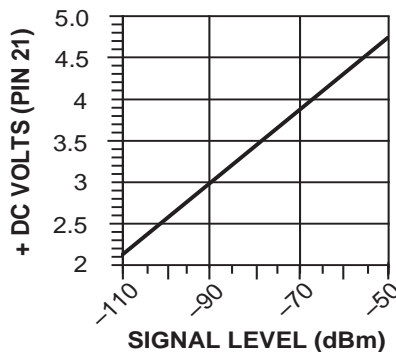


**Table 5. LED Status Indicators**

LED Name	Description
<b>PWR</b>	<ul style="list-style-type: none"> <li>• Continuous—Power is applied to the radio, no problems detected.</li> <li>• Rapid flash (five times per second)—Fault indication.</li> <li>• Flashing once every 5 seconds—Radio is in Sleep mode.</li> </ul>
<b>DCD</b>	<ul style="list-style-type: none"> <li>• Flashing—Indicates the radio is receiving intermittent data frames.</li> <li>• Continuous—Radio is receiving a data signal from a continuously keyed radio.</li> </ul>
<b>TXD</b>	An EIA-232 mark signal is being received at the DATA INTERFACE connector.
<b>RXD</b>	An EIA-232 mark signal is being sent out from the DATA INTERFACE connector.

## 4.2 RSSI Measurement

As an alternative to using an HHT, the radio’s received signal strength (RSSI) may be read with a DC voltmeter connected to Pin 21 of the DATA INTERFACE connector. Figure 9 shows the relationship between received signal level and the DC voltage on Pin 21 of the DATA INTERFACE connector. (Note: Readings are not accurate for incoming signal strengths above –50 dBm.)



**Figure 9. RSSI vs. Vdc (Typical)**



## 5.0 TRANSCEIVER PROGRAMMING

Programming and control of the transceiver is performed through the radio's RJ-11 DIAG. (Diagnostics) connector with an MDS Hand-Held Terminal (MDS P/N 02-1501A01). This section contains a reference chart (Table 7) and detailed descriptions for each user command.

---

**NOTE:** In addition to HHT control, Windows-based software is available (MDS P/N 03-3156A01) to allow diagnostics and programming using a personal computer. An installation booklet and on-line instructions are included with the software. Contact MDS for ordering information.

---

### 5.1 Hand-Held Terminal Connection & Startup

This section gives basic information for connecting and using the MDS Hand-Held Terminal. For more information about the terminal, refer also to the instructions included with each HHT kit.

The steps below assume that the HHT has been configured for use with the transceiver (80 character screen display). If the HHT was previously used with a different model transceiver, or if its default settings have been changed, refer to *Section 5.2, Hand-Held Terminal Setup* (page 18) for setup details.

Follow these steps to connect the HHT:

1. Connect the HHT's coiled cord to the DIAG. (RJ-11) jack on the radio as shown in Figure 10. This automatically places the radio into the control and programming mode.

As an alternative, the DATA INTERFACE (DB-25) connector may be used for programming instead of the DIAG. jack. With this arrangement, Pin 23 of the HHT cable must be grounded to enable the diagnostic channel. (See Table 4 on page 14.)

2. When the HHT is connected, it runs through a brief self-check, ending with a beep. After the beep, press **ENTER** to receive the ready ">" prompt.

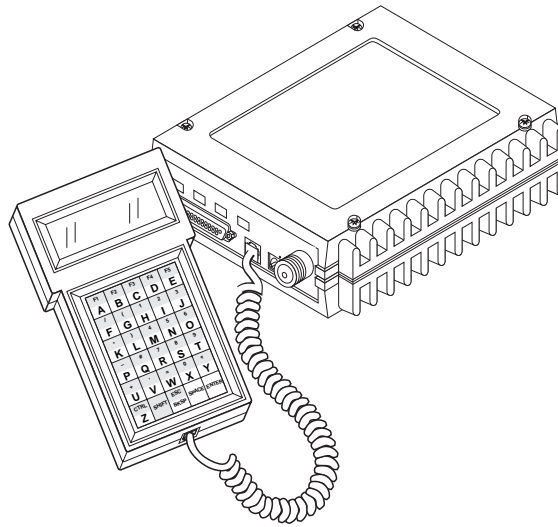


Figure 10. Hand-Held Terminal Connected to the Transceiver

## 5.2 Hand-Held Terminal Setup

The following is a set of instructions for re-initializing an HHT for use with the transceiver. These steps may be required if the HHT was previously used with a different radio, or if the HHT default settings have been inadvertently altered.

1. Plug the HHT into the DIAG. connector. Enable the setup mode by pressing the **SHIFT**, **CTRL** and **SPACE** keys in sequence. The display shown in Figure 11 appears.

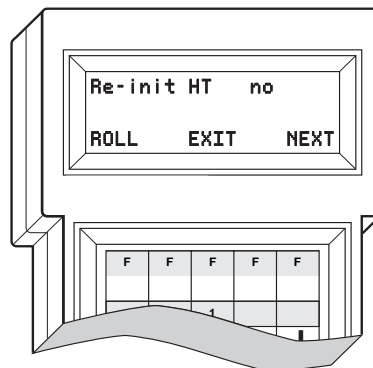


Figure 11. HHT Setup Display

2. The first of 15 menu items is displayed. Settings are reviewed by pressing the **NEXT** function controlled by the **E** key. Parameter settings are changed by pressing the **ROLL** function controlled by the **A** key.

3. Set up the HHT as listed in Table 6.

**Table 6. HHT Operational Settings**

Parameter	Setting	Parameter	Setting
Re-init HT	NO	Scroll On	33rd
Baud Rate	9600	Cursor	ON
Comm bits	8,1,n	CRLF for CR	OFF
Parity Error	OFF	Self Test	FAST
Key Repeat	OFF	Key Beep	ON
Echo	OFF	Screen Size	80
Shift Keys	YES	Menu Mode	LONG
Ctl Chars	PROCS		

### 5.3 Keyboard Commands

Table 7 is a reference chart of software commands for the transceiver. Programmable information is shown in brackets [ ] following the command name. See *Section 5.4, Detailed Command Descriptions* (page 22) for detailed command descriptions.

#### Entering Commands

To enter a command, type the command, followed by an **ENTER** key-stroke. For programming commands, the command is followed by **SPACE** and the appropriate information or values, then **ENTER**.

Here are some additional points to remember when using the HHT:

- Use the **SHIFT** key to access numbers; press again to return to letter mode.
- Use the **ESC/BKSP** key to edit information or commands entries.
- The flashing square cursor (▣) indicates that letter mode is selected.
- The flashing superscript rectangular cursor (≡) indicates that number mode is selected.

#### Error Messages

Listed below are some possible error messages encountered when using the HHT:

**UNKNOWN COMMAND**—The command was not recognized. Refer to the command description for command usage information.

**INCORRECT ENTRY**—The command format or its associated values were not valid. Refer to the command description for command usage information.

**COMMAND FAILED**—The command was unable to successfully complete. This is a possible internal software problem.

**NOT PROGRAMMED**—Software was unable to program the internal radio memory or the requested item was not programmed. This is a serious internal radio error. Contact MDS.

**TEXT TOO LONG**—Response to **OWN** or **OWM** command when too many characters have been entered. Refer to the command description for command usage information.

**NOT AVAILABLE**—The entered command or parameter was valid, but it referred to a currently unavailable choice. Refer to the command description for command usage information.

**ACCESS DENIED**—The command is unavailable to the user. Refer to the command descriptions for command information.

**EEPROM FAILURE**— The **INIT** command was unable to write to EEPROM. This is a serious internal radio error. Contact MDS.

**Table 7. Command summary**

Command name	Function
<b>AMASK [0000 0000–FFFF FFFF]</b> <i>Details page 22</i>	Set or display hex code identifying which events trigger an alarm.
<b>ASENSE [HI/LO]</b> <i>Details page 23</i>	Set or display the state of the alarm output signal to ACTIVE HI or ACTIVE LO.
<b>BAUD [xxxxx abc]</b> <i>Details page 23</i>	Set or display the DATA INTERFACE data rate and control bits.
<b>BUFF [ON, OFF]</b> <i>Details page 24</i>	Enables or disables the internal radio data buffer.
<b>CTS [0–255]</b> <i>Details page 24</i>	Set or display the Clear-to-Send delay in seconds.
<b>CKEY [ON–OFF]</b> <i>Details page 24</i>	Enables or disables the continuously keyed mode. Note: Remotes cannot receive when keyed.
<b>DATAKEY [ON, OFF]</b> <i>Details page 24</i>	Toggles between key-on-data and key-on-RTS.
<b>DKEY</b> <i>Details page 25</i>	Dekey the radio (transmitter OFF). This is generally a radio test command.
<b>DLINK [ON/OFF/xxxx]</b> <i>Details page 25</i>	Configures local diagnostic link protocol.
<b>DMGAP [xx]</b> <i>Details page 25</i>	( <i>diagnostics</i> ) Sets the amount of time to wait after the receipt of a character before interpreting the next received character as the start of a new message.
<b>DTYPE [NODE/ROOT]</b> <i>Details page 26</i>	( <i>diagnostics</i> ) Sets up a radio as a root or node radio.

**Table 7. Command summary (Continued)**

<b>Command name</b>	<b>Function</b>
<b>DUMP</b> <i>Details page 26</i>	Display all programmable settings.
<b>HREV</b> <i>Details page 26</i>	Display the Hardware Revision level.
<b>INIT</b> <i>Details page 26</i>	Set radio parameters to factory defaults.
<b>INIT [4710/9710]</b> <i>Details page 26</i>	Configure radio for use <i>without</i> P-20 chassis. Restores certain transceiver defaults before using the <b>INIT x720</b> command.
<b>INIT [4720/9720]</b> <i>Details page 27</i>	Configure radio for use <i>with</i> P-20 chassis.
<b>KEY</b> <i>Details page 27</i>	Key the radio (transmitter ON). This is generally a radio test command.
<b>MODEL</b> <i>Details page 27</i>	Display the model number of the radio.
<b>MODEM [xxxx, NONE]</b> <i>Details page 27</i>	Set the modem characteristics of the radio.
<b>OWM [XXX...]</b> <i>Details page 27</i>	Set or display the owner's message.
<b>OWN [XXX...]</b> <i>Details page 27</i>	Set or display the owner's name.
<b>PTT [0-255]</b> <i>Details page 27</i>	Set or display the Push-to-Talk delay in milliseconds.
<b>PWR [20-37]</b> <i>Details page 27</i>	Set or display the transmit power setting.
<b>RSSI</b> <i>Details page 28</i>	Display the Received Signal Strength Indication.
<b>RTU [ON/OFF/0-80]</b> <i>Details page 28</i>	Re-enables or disables the radio's internal RTU simulator and sets the RTU address.
<b>RX [xxx.xxxx]</b> <i>Details page 28</i>	Set or display receiver frequency.
<b>RXTOT [NONE, 1-255]</b> <i>Details page 28</i>	Set or display the value of the receive time-out timer.
<b>SCD [0-255]</b> <i>Details page 29</i>	Set or display the Soft-carrier Dekey delay in milliseconds.
<b>SER</b> <i>Details page 29</i>	Display the radio serial number.
<b>SHOW [DC, PORT, PWR]</b> <i>Details page 29</i>	Display the DC voltages, diagnostics port, and transmit power level.
<b>SREV</b> <i>Details page 29</i>	Display the Software Revision Level.
<b>STAT</b> <i>Details page 29</i>	Display radio status and alarms.
<b>TEMP</b> <i>Details page 30</i>	Display the internal temperature of the radio in degrees C.
<b>TOT [1-255, ON, OFF]</b> <i>Details page 30</i>	Set or display the Time-out Timer delay in seconds.
<b>TX [xxx.xxxx]</b> <i>Details page 30</i>	Set or display the transmit frequency.
<b>UNIT [10000...65000]</b> <i>Details page 30</i>	Set or display the transceiver's unit address.

## 5.4 Detailed Command Descriptions

The only *critical* commands for most applications are transmit and receive frequencies (**RX xxx.xxxx, TX xxx.xxxx**). However, proper use of the additional commands allows you to tailor the transceiver for a specific use, or conduct basic diagnostics on the radio. This section gives more detailed information for the user commands previously listed in Table 7 (page 20).

In many cases, the commands shown here can be used in two ways. First, you can type *only* the command name to view the currently programmed data. Secondly, you can set or change the existing data by typing the command, followed by a space, and then the desired entry. In the list below, allowable programming variables, if any, are shown in brackets following the command name.

### **AMASK [0000 0000–FFFF FFFF]**

The **AMASK** command displays or sets which events cause the alarm output signal to be active. Normally, the mask is **FFFF FFFF**, meaning that any of the 32 possible events will activate the alarm output signal.

Entering the **AMASK** command alone displays the current setting of alarm events in hexadecimal format.

Entering the **AMASK** command followed by an eight-digit hexadecimal number reprograms the specified events to trigger an alarm.

The eight-digit hexadecimal number used as the command parameter is used to classify up to 32 events as alarm triggers, or disable alarm notification for an event. (See Table 8 below for a list of events.) The hex value for the mask corresponds to the hex value for the **STAT** command (page 29). Each bit that is a '1' identifies the associated alarm condition as a major alarm. Each bit that is a '0' disables major alarm notification for that condition. If both the major and minor alarm bits are set to '0' for that condition, alarm notification is entirely disabled. For more information on configuring the alarm response, contact Microwave Data Systems.

**Table 8. Text messages of alarm event codes**

Event Number	Text Message
01	Hardware mismatch
02	Model number not programmed
03	Authorization fault
04	Synthesizer out-of-lock
07	Voltage regulator fault detected
08	Radio not calibrated
09	DSP download fault
10	EEPROM write failure

**Table 8. Text messages of alarm event codes (Continued)**

Event Number	Text Message
11	Checksum fault
12	Receiver time-out
16	Unit address not programmed
17	Data parity error
18	Data framing error
20	Configuration error
25	6V regulator output not in valid range
26	DC input power is not in valid range
31	Internal Temperature not in valid range

### **A**SENSE [HI/LO]

The **A**SENSE command sets or displays the sense of the alarm output at Pin 25 of the DATA INTERFACE connector.

Entering the **A**SENSE command alone shows whether the alarm output is active high or low. Entering the **A**SENSE command followed by **HI** or **LO** resets the alarm output to active high or low.

### **B**AUD [xxxxx abc]

This command sets (or displays) the communication attributes for the DATA INTERFACE port. It has no effect on the RJ-11 DIAG. port.

The first parameter (**xxxxx**) is baud rate. Baud rate is specified in bits-per-second (bps) and must be one of the following speeds: 110, 300, 1200, 2400, 4800, 9600, 19200, or 38400.

The second parameter of the **B**AUD command (**abc**) is a three-character block indicating how the data is encoded:

- a** = Data bits (7 or 8)
- b** = Parity (N for None, O for Odd, E for Even)
- c** = Stop bits (1 or 2)

The factory default setting is 9600 baud, 8 data bits, no parity, 1 stop bit (Example: **9600 8N1**).

---

**NOTE:** 7N1, 8O2, and 8E2 are invalid communication settings and are not supported by the transceiver.

---

## **BUFF [ON, OFF]**

This command sets or displays the received data handling mode of the radio. The command parameter is either **ON** or **OFF**. The default is **ON**. The setting of this parameter affects the timing of how received RF data is sent out the INTERFACE connector. Outgoing (transmitted) data is not affected by this setting.

If data buffering is **OFF**, the radio operates with the lowest possible average latency. Data bytes are thus sent out the INTERFACE port as soon as an incoming RF data frame is disassembled. Average and typical latency will both be below 10 ms, but idle character gaps may be introduced into the outgoing data flow.

If data buffering is **ON**, the radio operates in seamless mode. Data bytes will be sent over the air as quickly as possible, but the receiver buffers (stores) the data until enough bytes have arrived to cover worst-case gaps in transmission. This mode of operation is required for protocols such as MODBUS™ that do not allow gaps in their data transmission.

Note that seamless mode (**BUFF ON**) is intended only for applications where the transmitter's baud rate is greater than or equal to the receiver's baud rate. Enforcement of this rule is left up to the user.

## **CKEY [ON-OFF]**

The **CKEY** command enables or disables the continuously-keyed function of the radio. When **CKEY** is set to **ON**, the radio is continuously keyed.

## **CTS [0-255]**

The **CTS** (clear-to-send) command selects or displays the timer value associated with the CTS line response. The command parameter ranges from 0 to 255 milliseconds.

For DCE operation, the timer specifies how long to wait after the RTS line goes high, before the radio asserts CTS and the DTE can transmit the data. A CTS value of zero keys the radio and asserts the CTS line immediately after the RTS line goes high.

For CTS Key operation (see **DEVICE** command), the timer specifies how long to wait after asserting the CTS, before sending data out the DATA INTERFACE port. A timer value of zero means that data will be sent out the data port without imposing a key-up delay. (Other delays may be present based on selected radio operating parameters.)

## **DATAKEY [ON, OFF]**

The **DATAKEY** command enables or disables the ability of the radio to key the transmitter as data is received at the DATA INTERFACE connector. Asserting RTS keys the radio regardless of this command setting.



If **DATAKEY** is set to **ON**, the radio will key when a full data-character is received at the transceiver's DATA INTERFACE connector. If **DATAKEY** is set to **OFF**, the radio needs to be keyed by asserting either the RTS or PTT signal or with the **CKEY** or **KEY** command.

## **DEVICE [DCE, CTS KEY]**

The **DEVICE** command controls or displays the device behavior of the radio. The command parameter is either **DCE** or **CTS KEY**.

The default selection is **DCE**. In this mode, CTS will go high following RTS, subject to the CTS programmable delay time. If the **DATAKEY** command is set to **ON**, keying can be stimulated by the input of characters at the data port. Hardware flow control is implemented by signaling the CTS line if data arrives faster than it can be buffered and transmitted.

If **CTS KEY** is selected, the radio is assumed to be controlling another radio. The RTS line is ignored and the CTS line is used as a keyline control for the other radio. CTS is asserted immediately following the receipt of RF data, but data will not be sent out the DATA INTERFACE port until after the CTS programmable delay time has expired. (This gives the other radio time to key.)

## **DKEY**

This command deactivates the transmitter after it has been keyed with the **KEY** command.

## **DLINK [ON/OFF/xxxx]**

This command is used to configure the local diagnostic link protocol used in network-wide diagnostics.

Entering **DLINK ON** enables the diagnostic link. Entering **DLINK OFF** disables the diagnostic link.

To change the diagnostic link, enter **DLINK** followed by one of the following baud rates: 1200, 2400, 4800, 9600, 19200 (default).

## **DMGAP [xx]**

The **DMGAP** command sets the amount of time in milliseconds to wait after the receipt of a character before interpreting the next received character as the start of a new message. When data port baud rates are slow, the gap between characters within a poll may be so long that the radio interprets the next character as the start of a new poll. When diagnostics is being performed using passive messaging (see *Performing Network-Wide Remote Diagnostics* on page 37), this command may be used to change this behavior.

## **DTYPE [NODE/ROOT]**

This command establishes the local radio as a root radio or node radio for network-wide diagnostics. Entering **DTYPE NODE** configures the radio as a node radio. Entering **DTYPE ROOT** configures the radio as a root radio. Entering the **DTYPE** command alone displays the current setting. See “Performing Network-Wide Remote Diagnostics” on page 37.

## **DUMP**

This command displays all the programmed settings with this one command. The HHT display is too small to list all the command settings at one time. Therefore, this command is most useful if the command is issued from a computer or full-screen terminal.

## **HREV**

This command displays the transceiver’s hardware revision level.

## **INIT**

The **INIT** command is used to re-initialize the radio’s operating parameters to the factory defaults. This may be helpful when trying to resolve configuration problems that may have resulted from the entry of one or more improper command settings. If you are unsure of which command setting may have caused the problem, this command allows you to get back to a known working state. The following changes to the radio are made when **INIT** is entered:

- **CTS** is set to 0
- **DATAKEY** is set to **ON**
- **DEVICE** is set to **DCE**
- **PTT** is set to 0
- **SCD** is set to 0
- **TOT** is set to 30 seconds and set to **ON**
- **PWR** is set to +37 dBm (5 watts)

All other commands stay in the previously established setting.

## **INIT [4710/9710]**

This command sets the transceiver for operation *outside* the P-20 chassis by setting the following parameters as shown:

<b>ASENSE</b>	<b>ACTIVE HI</b>
<b>AMASK</b>	<b>FFFF FFFF</b> (assert alarm output on all alarms)
<b>RXTOT</b>	<b>NONE</b> (receive time-out timer disabled)

This command can be used prior to using the **INIT x720** command to restore the standard transceiver defaults

## INIT [4720/9720]

This command sets the transceiver for operation *inside* the P-20 chassis by setting the following parameters as shown:

<b>A</b> SENSE	<b>ACTIVE LO</b>
<b>A</b> MASK	<b>FFFF 0000</b> (trigger on major alarms)
<b>R</b> XTOT	<b>20</b> (20 minute time-out timer)

## KEY

This command activates the transmitter. See also the **DKEY** command.

## MODEL

This command displays the radio's model number code.

## MODEM [xxxx, NONE]

This command selects the radio's modem characteristics. For digital operation enter **9600** (MDS x710A) or **19200** (MDS x710C). For analog operation, enter **NONE**.

## OWM [XXX...]

This is a command to display or program an owner's message. To program the owner's message, type **OWM** then the message, followed by **ENTER**.

To display the owner's message, type **OWM** then **ENTER**. The owner's message appears on the display.

## OWN [XXX...]

This is a command to display or program an owner's name. To program the owner's name, type **OWN** then the name, followed by **ENTER**.

To display the owner's name, type **OWN** then **ENTER**. The owner's name appears on the display.

## PTT [0–255]

This command sets or displays the key-up delay in milliseconds.

This timer specifies how long to wait after the radio receives a key signal from either the PTT or RTS lines (on the DATA INTERFACE), before actually keying the radio.

## PWR [20–37]

---

**NOTE:** This function may not be available, depending on certification requirements in a particular country.

---

This command displays or sets the desired RF forward output power setting of the radio. The **PWR** command parameter is specified in dBm and can range from 20 through 37. The default setting is 37 dBm (5 watts). To read the actual (measured) power output of the radio, use the **SHOW PWR** command. A dBm-to-watts conversion chart is provided in Section 7.5 (page 40).

## **RSSI**

This command continuously displays the radio's Received Signal Strength Indication (RSSI) in dBm units, until you press the Enter key. Incoming signal strengths from -50 dBm to -120 dBm can be read.

## **RTU [ON/OFF/0-80]**

This command re-enables or disables the radio's internal RTU simulator, which runs with MDS' proprietary polling programs (poll.exe and rsim.exe). The internal RTU simulator is available whenever a radio has diagnostics enabled. This command also sets the RTU address that the radio will respond to.

The internal RTU can be used for testing system payload data or pseudo bit error rate testing. It can be helpful in isolating a problem to either the external RTU or the radio.

## **RX [xxx.xxxx]**

This command selects or displays the radio's receive frequency in MHz. The frequency step size is 6.25 kHz.

If the customer frequency has not been programmed at the factory, a default frequency will be programmed in the radio near the center of the frequency band.

---

**NOTE:** A large change in receive frequency (more than 5 MHz) requires adjustment of the receiver helical filters for maximum performance and RSSI. See *Section 7.2, Helical Filter Adjustment* (page 36) for details.

---

## **RXTOT [NONE, 1-255]**

The **RXTOT** command selects or displays the receive time-out timer value in minutes. This timer triggers an alarm (event 12) if data is not detected within the specified time.

Entering the **RXTOT** command without a parameter displays the timer value in minutes. Entering the **RXTOT** command with a parameter ranging from 0 to 255 resets the timer in minutes. Entering the **RXTOT** command with the parameter **NONE** disables the timer.

## SCD [0-255]

This command displays or changes the soft-carrier dekey delay in milliseconds.

This timer specifies how long to wait after the removal of the keying signal before actually releasing the transmitter. A value of 0 milliseconds will unkey the transmitter immediately after the removal of the keying signal.

## SER

This command displays the radio's serial number as recorded at the factory.

## SHOW [DC, PORT, PWR]

The **SHOW** command displays different types of information based on the command variables. The different parameters are:

- **DC**—Display DC input/output voltages
- **PORT**—Display the connector port (RJ-11 or DB-25) that is active for diagnostics and control.
- **PWR**—Display RF power output

## SNR

This command continuously displays the signal-to-noise ratio of the received signal expressed in dB, until you press the Enter key. As used in this guide, the signal-to-noise measurement is based upon the signal level following equalization, for received frames.

The SNR is an indication of the received signal quality. The SNR indication ranges from 10 dB to 33 dB. A value of 10 dB represents a very poor signal. A value of 24 dB represents a very good signal.

When the SNR command is used, it causes the DIAG. port to enter an update mode, and the signal-to-noise ratio is updated and redisplayed every 2 seconds. The SNR continuously updates until the **ENTER** key is pressed.

## SREV

This command displays the software revision level of the transceiver firmware.

## STAT

This command displays the current alarm status of the transceiver.

If no alarms exist, the message **NO ALARMS PRESENT** appears at the top of the HHT display.

If an alarm does exist, a two-digit code (00–31) is displayed and the alarm is identified as “Major” or “Minor.” A brief description of the alarm code is also given.

If more than one alarm exists, the word **MORE** appears at the bottom of the screen and additional alarms are viewed by pressing the **ENTER** key. Detailed descriptions of event codes are provided in Table 9 on page 32.

## **TEMP**

This command displays the internal temperature of the transceiver in degrees Celsius.

## **TOT [1-255, ON, OFF]**

This command sets or displays the transmitter Time-out Timer value (1–255 seconds), as well as the timer status (**ON** or **OFF**). If the timer is on, and the radio remains keyed for a longer duration than the **TOT** value, the transmitter is automatically unkeyed.

When this happens, the radio must be commanded back to an unkeyed state before a new keying command is accepted. The default timer value is 30 seconds.

## **TX [xxx.xxxx]**

This command selects or displays the radio’s transmit frequency in MHz. The frequency step size is 6.25 kHz.

If the customer frequency has not been programmed at the factory, a default frequency will be programmed in the radio near the center of the frequency band.

## **UNIT [10000...65000]**

The unit address is factory programmed to the last five digits of the serial number.

# **6.0 TROUBLESHOOTING**

Successful troubleshooting of the radio system is not difficult, but it requires a logical approach. It is best to begin troubleshooting at the master station, as the rest of the system depends on the master for polling commands. If the master station has problems, the operation of the entire network can be compromised.

It is good practice to start by checking the simple things. For proper operation, all radios in the network must meet these basic requirements:

- Adequate and stable primary power. The radio contains an internal self-resetting fuse (4A). Remove primary power to reset.

- Secure connections (RF, data and power)
- An efficient and properly aligned antenna system with a good received signal strength of at least  $-90$  dBm. (It is possible for a system to operate with weaker signals, but reliability will be degraded.)
- Proper programming of the transceiver’s operating parameters (see *Section 5.0, TRANSCIVER PROGRAMMING* on page 17).
- The correct interface between the transceiver and the connected data equipment (correct cable wiring, proper data format, timing, etc.)

## 6.1 LED Indicators

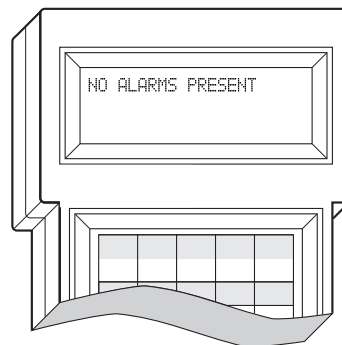
The LED status indicators are an important troubleshooting tool and should be checked whenever a problem is suspected. Table 5 on page 16 describes the function of each status LED.

## 6.2 Event Codes

When an alarm condition exists, the transceiver creates a code that can be read on an HHT connected to the DIAG. port. These codes can be very helpful in resolving many system difficulties. Refer to Table 9 (page 32) for a definition of the event codes.

### Checking for Alarms—*STAT* command

To check for alarms, enter **STAT** on the HHT. If no alarms exist, the message **NO ALARMS PRESENT** appears at the top of the display (Figure 12).



**Figure 12. HHT Display in Response to STAT Command**

If an alarm does exist, a two-digit alarm code (00–31) is displayed and the event is identified as a Major or Minor Alarm. A brief description of the alarm is also given.

If more than one alarm exists, the word **MORE** appears at the bottom of the screen. To view additional alarms, press **ENTER**.

## Major Alarms vs. Minor Alarms

**Major Alarms**—report serious conditions that generally indicate a hardware failure, or other abnormal condition that will prevent (or seriously hamper) further operation of the transceiver. Major alarms generally indicate the need for factory repair. Contact MDS for further assistance.

**Minor Alarms**—report conditions that, under most circumstances will not prevent transceiver operation. This includes out-of-tolerance conditions, baud rate mismatches, etc. The cause of these alarms should be investigated and corrected to prevent system failure.

## Event Code Definitions

Table 9 contains a listing of all event codes that may be reported by the transceiver.

**Table 9. Event Codes**

Event Code	Event Class	Description
01	Major	Improper software detected for this radio model.
02	Major	The model number of the transceiver is unprogrammed.
04	Major	One or both of the internal programmable synthesizer loops is reporting an out-of-lock condition.
06	Major	An unrecoverable fault was detected on the auto-D chip. The radio will not receive data.
07	Major	One or more of the radio's internal voltage regulators is reporting a failure. The radio will not operate.
08	Major	The system is reporting that it has not been calibrated. Factory calibration is required for proper radio operation.
09	--	Not used.
10	Major	The internal microcontroller was unable to properly program the system to the appropriate EEPROM defaults. A hardware problem may exist.
11	--	Not used.
12	Major	Receiver time-out. No data received within the specified receiver time-out time.
13–15	--	Not used.
16	Minor	Not used.
17	Minor	A data parity fault has been detected on the DATA INTERFACE connector. This usually indicates a parity setting mismatch between the radio and the RTU.
18	Minor	A data framing error has been detected on the DATA INTERFACE connector. This may indicate a baud rate mismatch between the radio and the RTU.
19–24	--	Not used.
25	Minor	The 5.6 volt power regulator is out-of-tolerance. If the error is excessive, operation may fail.



**Table 9. Event Codes (Continued)**

Event Code	Event Class	Description
26	Minor	The DC input voltage is out-of-tolerance. If the voltage is too far out of tolerance, operation may fail.
27, 28	--	Not used
31	Minor	The transceiver's internal temperature is approaching an out-of-tolerance condition. If the temperature drifts outside of the recommended operating range, system operation may fail.

## 7.0 TECHNICAL REFERENCE

### 7.1 MDS 4710/9710 Transceiver Specifications

#### TRANSMITTER SYSTEM SPECIFICATION

Operating Frequency:	See Transmitter Specifications
Frequency Stability:	±1.5 ppm
Carrier Power Accuracy:	±1.5 dB (normal <sup>1</sup> ) ±2 dB to -3 dB (extreme <sup>2</sup> )
Adjacent Channel Power:	MDS x710A: -60 dBc MDS x710C: -40 dBc
Spurious Emissions:	-36 dBm, 9 kHz to 1 GHz -30 dBm, 1 GHz to 12 GHz
Intermodulation:	40 dBc
Transmitter Attack Time:	5 ms maximum
Transmitter Release Time:	5 ms maximum
Transient Power Adjacent Channel:	MDS x710A: -50 dBc MDS x710C: -40 dBc

#### RECEIVER SYSTEM SPECIFICATION

Operating Frequency:	See Receiver Specifications
Maximum Usable Sensitivity:	MDS x710A: -113 dBm at 10 <sup>-2</sup> BER (normal <sup>1</sup> ) -107 dBm at 10 <sup>-2</sup> BER (extreme <sup>2</sup> ) MDS x710C: -108 dBm at 10 <sup>-2</sup> BER (normal <sup>1</sup> ) -102 dBm at 10 <sup>-2</sup> BER (extreme <sup>2</sup> )
Co Channel Rejection:	-18 dB
Adjacent Channel Selectivity:	60 dB (normal <sup>1</sup> ) 50 dB (extreme <sup>2</sup> )
Spurious Response Rejection:	70 dB
Intermodulation:	65 dB
Blocking:	84 dB
Spurious Radiation:	-57 dBm (9 kHz to 1 GHz) -47 dBm (1 GHz to 12.75 GHz)

#### DATA CHARACTERISTICS

Signaling Type:	RS-232; DB-25 Female connector
Data Interface Rates:	110–38400 bps—asynchronous
Data Latency:	10 ms maximum
Byte Length:	10 bits

## TRANSMITTER

Frequency Range	<b>4710*</b>	<b>9710**</b>
One of these bands:	380–400 MHz	800–880 MHz
	400–450 MHz	880–960 MHz
	450–512 MHz	
	406–530 MHz	
*Refer to Figure 4 on page 4 to determine which band the radio operates on.		
**Refer to Figure 5 on page 4 to determine which band the radio operates on.		
Modulation Type:	Binary CPFSK	
Carrier Power:	0.1 watts to 5 watts	
Duty Cycle:	Continuous	
Output Impedance:	50 ohms	
Frequency Stability:	±1.5 ppm	
Channel Spacing:	MDS x710A: 12.5 kHz MDS x710C: 25 kHz	
Adjacent Channel Power:	MDS x710A: –60 dBc MDS x710C: –40 dBc	
Transmitter Spurious Conducted Emissions		
Operational:	–36 dBm [73 dBc], 9 kHz to 1 GHz –30 dBm [67 dBc], 1 GHz to 12.5 GHz	
Standby:	–57 dBm, 9 kHz to 1 GHz –47 dBm, 1 GHz to 12.5 GHz	
Transmitter Spurious Radiated Emissions:	–36 dBm [73 dBc], 9 kHz to 1 GHz –30 dBm [67 dBc], 1 GHz to 12.5 GHz	
Harmonics:		
2nd harmonic:	–73 dBc	
3rd harmonic & higher:	–67 dBc	
Power:	50 dBc	
Time-out Timer:	30 seconds, default (selectable with <b>TOT</b> )	
Transmitter Keying:	Data activated or RTS	

## RECEIVER

Frequency Range	<b>4710*</b>	<b>9710**</b>
One of these bands:	380–400 MHz	800–860 MHz
	400–420 MHz	860–900 MHz
	420–450 MHz	900–960 MHz
	450–480 MHz	
	480–512 MHz	
	406–430 MHz	
*Refer to Figure 4 on page 4 to determine which band the radio operates on.		
**Refer to Figure 5 on page 4 to determine which band the radio operates on.		
Type:	Double conversion superheterodyne	
Frequency Stability:	1.5 kHz	
Maximum Usable Sensitivity:	MDS x710A: –113 dBm BER at 10 <sup>-2</sup> (normal <sup>1</sup> ) –107dBm BER at 10 <sup>-2</sup> (extreme <sup>2</sup> ) MDS x710C: –108 dBm BER at 10 <sup>-2</sup> (normal <sup>1</sup> ) –102dBm BER at 10 <sup>-2</sup> (extreme <sup>2</sup> )	
Co-channel Rejection:	MDS x710A: –12 dB MDS x710C: –18 dB	
Adjacent Channel Rejection:	60 dB (normal <sup>1</sup> ) 50 dB (extreme <sup>2</sup> )	

Spurious Response Rejection:	70 dB
Intermodulation Response Rejection:	65 dB
Receiver Spurious Conducted Emissions:	-57 dBm, 9 kHz to 1 GHz -47 dBm, 1 GHz to 12.5 GHz
Receiver Spurious Radiated Emissions:	-57 dBm, 30 MHz to 1 GHz -47 dBm, 1 GHz to 12.5 GHz
Bandwidth:	MDS x710A: 12.5 kHz MDS x710C: 25 kHz

### PRIMARY POWER

---

Voltage:	13.8 Vdc Nominal (10.5 to 16 Vdc)
TX Supply Current:	2.5 amps
RX Supply Current:	<i>Operational</i> —150 mA <i>Standby (sleep)</i> —25 mA
Power Connector:	2-pin polarized locking connector
Fuse:	4 Amp Polyfuse, Self-Resetting, Internal (Remove Primary Power to Reset)
Reverse Polarity Protection:	Diode across primary input

### ENVIRONMENTAL

---

Humidity:	95% at 40 degrees C
Temperature Range:	-30 to 60 degrees C (full performance) -40 to 70 degrees C (operational)
Weight:	1.6 kilograms
Case:	Die-cast Aluminum

### DIAGNOSTICS INTERFACE

---

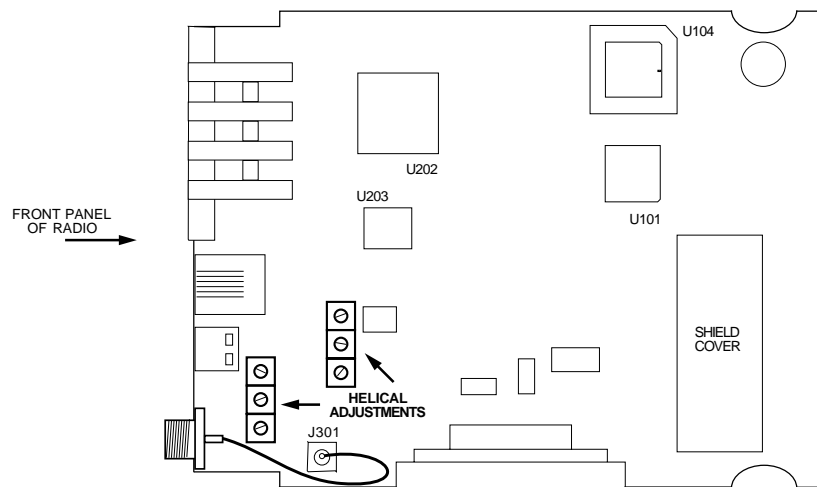
Signalling Standard:	RS-232
Connector:	RJ-11 (may use DB-25 instead if Pin 23 is grounded to enable diagnostics channel)
I/O Devices:	MDS Hand Held Terminal or PC with MDS software

- 
- Normal refers to:
    - Temperature, +15 to +35 degrees C
    - Humidity, 20% to 75%
    - Voltages, Nominal Specified
  - Extreme refers to:
    - Temperature, -25 to +55 degrees C
    - Humidity, 20% to 75%
    - Voltages, ±10%

## 7.2 Helical Filter Adjustment

If the frequency of the radio is changed more than 5 MHz, the helical filters should be adjusted for maximum received signal strength (RSSI). To adjust the filters, proceed as follows:

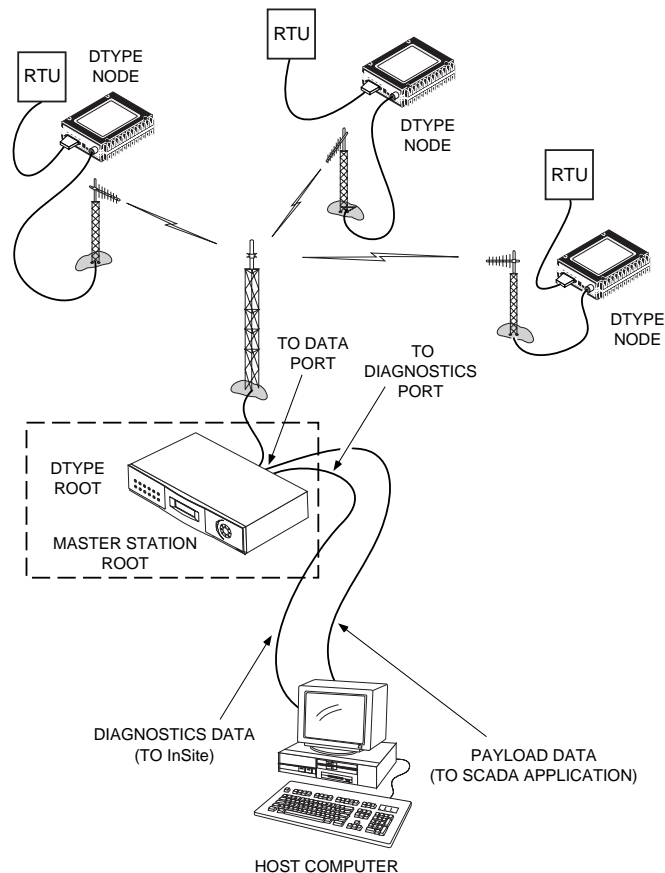
1. Remove the top cover from the transceiver by loosening the four screws and lifting straight up.
2. Locate the helical filters on the PC board. See Figure 13.
3. Apply a steady signal to the radio at the programmed receive frequency ( $-80$  dBm level recommended; no stronger than  $-60$  dBm). This can be done with a signal generator or an over-the-air signal.
4. Measure the radio's RSSI using one of the following methods:
  - With an HHT (See *Section 5.0, TRANSCIVER PROGRAMMING* on page 17).
  - With MDS Radio Configuration Software (See *Section 7.4, Upgrading the Radio's Software* on page 38).
  - With a voltmeter connected to Pin 21 of the DATA INTERFACE connector (See *Section 4.2, RSSI Measurement* on page 16).
5. With a non-metallic adjustment tool, adjust each section of the helical filters for maximum RSSI. Re-install the cover to the transceiver.



**Figure 13. Helical Filter Locations**

### 7.3 Performing Network-Wide Remote Diagnostics

Diagnostics data from a remote radio can be obtained by connecting a laptop or personal computer running MDS InSite diagnostics software to any radio in the network. Figure 14 shows an example of a setup for performing network-wide remote diagnostics.



**Figure 14. Network-Wide Remote Diagnostics Setup**

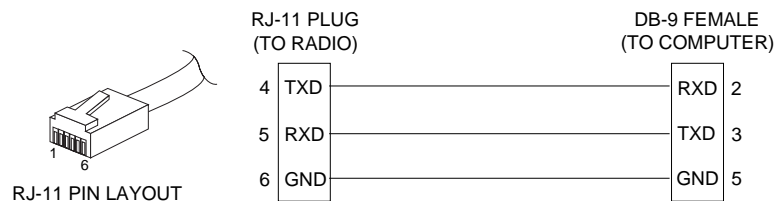
If a PC is connected to any radio in the network, intrusive polling (polling which briefly interrupts payload data transmission) can be performed. To perform diagnostics without interrupting payload data transmission, connect the PC to a radio defined as the “root” radio. A radio is defined as a root radio using the **DTYPE ROOT** command locally, at the radio.

A complete explanation of remote diagnostics can be found in MDS’ Network-Wide Diagnostics System Handbook. See the Handbook for more information about the basic diagnostic procedures outlined below.

1. Program one radio in the network as the root radio by entering the **DTYPE ROOT** command at the radio.

2. At the root radio, use the **DLINK ON** and **DLINK [baud rate]** commands to configure the diagnostic link protocol on the RJ-11 port.
3. Program all other radios in the network as nodes by entering the **DTYPE NODE** command at each radio.
4. Use the **DLINK ON** and **DLINK [baud rate]** commands to configure the diagnostic link protocol on the RJ-11 port of each node radio.
5. Connect same-site radios using a null-modem cable at the radios' diagnostic ports.
6. Connect a PC on which MDS InSite software is installed to the root radio, or to one of the nodes, at the radio's diagnostic port. (This PC may be the PC being used to collect payload data, as shown in Figure 14.)

To connect a PC to the radio's DIAG. port, an RJ-11 to DB-9 adapter (MDS P/N 03-3246A01) is required. If desired, an adapter cable may be constructed from scratch using the information shown in Figure 15.



**Figure 15. RJ-11 to DB-9 Adapter Cable**

7. Launch the MDS InSite application at the PC. (See the MDS InSite User's Guide for instructions.)

## 7.4 Upgrading the Radio's Software

Windows-based Radio Configuration software is available (MDS P/N 03-3156A01) for upgrading the internal radio software when new features become available from Microwave Data Systems. Contact MDS for ordering information.

To connect a PC to the radio's DIAG. port, an RJ-11 to DB-9 adapter (MDS P/N 03-3246A01) is required. If desired, an adapter cable may be constructed from scratch using the information shown in Figure 15.

Using the Radio Configuration software, select **RADIO SOFTWARE UPGRADE** under the **SYSTEM** menu. Follow the prompts and online instructions to determine how to proceed.

Software upgrades are distributed as ASCII files with a “.S28” extension. These files use the Motorola S-record format. When the download is activated, the radio’s PWR LED will flash rapidly, confirming that a download is in process. The download takes about two minutes.

---

**NOTE:** If a download fails, the radio is left unprogrammed and inoperative. This is indicated by the PWR LED flashing slowly (1 second on/1 second off). This condition is only likely if there were to be a power failure to the computer or radio during the downloading process. The download can be attempted again when the fault has been corrected.

---

## 7.5 dBm-Watts-Volts Conversion Chart

Table 10 is provided as a convenience for determining the equivalent wattage or voltage of an RF power expressed in dBm.

**Table 10. dBm-Watts-Volts Conversion—for 50 Ohm Systems**

<b>dBm</b>	<b>V</b>	<b>Po</b>	<b>dBm</b>	<b>V</b>	<b>Po</b>	<b>dBm</b>	<b>mV</b>	<b>Po</b>	<b>dBm</b>	<b>µV</b>	<b>Po</b>
+53	100.0	200W	0	.225	1.0mW	-49	0.80		-98	2.9	
+50	70.7	100W	-1	.200	.80mW	-50	0.71	.01µW	-99	2.51	
+49	64.0	80W	-2	.180	.64mW	-51	0.64		-100	2.25	.1pW
+48	58.0	64W	-3	.160	.50mW	-52	0.57		-101	2.0	
+47	50.0	50W	-4	.141	.40mW	-53	0.50		-102	1.8	
+46	44.5	40W	-5	.125	.32mW	-54	0.45		-103	1.6	
+45	40.0	32W	-6	.115	.25mW	-55	0.40		-104	1.41	
+44	32.5	25W	-7	.100	.20mW	-56	0.351		-105	1.27	
+43	32.0	20W	-8	.090	.16mW	-57	0.32		-106	1.18	
+42	28.0	16W	-9	.080	.125mW	-58	0.286				
+41	26.2	12.5W	-10	.071	.10mW	-59	0.251		<b>dBm</b>	<b>nV</b>	<b>Po</b>
+40	22.5	10W	-11	.064		-60	0.225	.001µW	-107	1000	
+39	20.0	8W	-12	.058		-61	0.200		-108	900	
+38	18.0	6.4W	-13	.050		-62	0.180		-109	800	
+37	16.0	5W	-14	.045		-63	0.160		-110	710	.01pW
+36	14.1	4W	-15	.040		-64	0.141		-111	640	
+35	12.5	3.2W	-16	.0355					-112	580	
+34	11.5	2.5W				<b>dBm</b>	<b>µV</b>	<b>Po</b>	-113	500	
+33	10.0	2W	<b>dBm</b>	<b>mV</b>	<b>Po</b>	-65	128		-114	450	
+32	9.0	1.6W	-17	31.5		-66	115		-115	400	
+31	8.0	1.25W	-18	28.5		-67	100		-116	355	
+30	7.10	1.0W	-19	25.1		-68	90		-117	325	
+29	6.40	800mW	-20	22.5	.01mW	-69	80		-118	285	
+28	5.80	640mW	-21	20.0		-70	71	.1nW	-119	251	
+27	5.00	500mW	-22	17.9		-71	65		-120	225	.001pW
+26	4.45	400mW	-23	15.9		-72	58		-121	200	
+25	4.00	320mW	-24	14.1		-73	50		-122	180	
+24	3.55	250mW	-25	12.8		-74	45		-123	160	
+23	3.20	200mW	-26	11.5		-75	40		-124	141	
+22	2.80	160mW	-27	10.0		-76	35		-125	128	
+21	2.52	125mW	-28	8.9		-77	32		-126	117	
+20	2.25	100mW	-29	8.0		-78	29		-127	100	
+19	2.00	80mW	-30	7.1	.001mW	-79	25		-128	90	
+18	1.80	64mW	-31	6.25		-80	22.5	.01nW	-129	80	.1fW
+17	1.60	50mW	-32	5.8		-81	20.0		-130	71	
+16	1.41	40mW	-33	5.0		-82	18.0		-131	61	
+15	1.25	32mW	-34	4.5		-83	16.0		-132	58	
+14	1.15	25mW	-35	4.0		-84	11.1		-133	50	
+13	1.00	20mW	-36	3.5		-85	12.9		-134	45	
+12	.90	16mW	-37	3.2		-86	11.5		-135	40	
+11	.80	12.5mW	-38	2.85		-87	10.0		-136	35	
+10	.71	10mW	-39	2.5		-88	9.0		-137	33	
+9	.64	8mW	-40	2.25	.1µW	-89	8.0		-138	29	
+8	.58	6.4mW	-41	2.0		-90	7.1	.001nW	-139	25	
+7	.500	5mW	-42	1.8		-91	6.1		-140	23	.01fW
+6	.445	4mW	-43	1.6		-92	5.75				
+5	.400	3.2mW	-44	1.4		-93	5.0				
+4	.355	2.5mW	-45	1.25		-94	4.5				
+3	.320	2.0mW	-46	1.18		-95	4.0				
+2	.280	1.6mW	-47	1.00		-96	3.51				
+1	.252	1.25mW	-48	0.90		-97	3.2				







---

# INDEX

---

## A

---

**ACCESS DENIED error message** 20

**Accessories** 4

**Accessory Power pinout (Pin 18)** 15

**Active messaging (defined)** 6

**Alarms**

alarm code definitions 32

major vs. minor 32

pinout (Pin 25) 15

using STAT command to display 29

**AMASK command** 22

**Antenna**

installation 9

RSSI command used to refine heading 15

system gain, defined 6

Yagi, illustrated 12

**Antennas** 11–12

**Applications** 2

Multiple Address Systems (MAS) 2

point-to-multipoint system 2

point-to-point system 3

**ASENSE command** 23

## B

---

**BAUD command** 23

**Baud rate**

setting for RJ-11 DIAG port (DLINK command) 25, 38

**Bit, defined** 6

**Bits-per-second. See BPS** 6

**BPS (bits-per-second), defined** 6

**BUFF command** 24

**Byte, defined** 6

## C

---

**Cable, loss due to length of coaxial at 400 MHz** 12

**Cable, loss due to length of coaxial at 960 MHz** 12

**Cautions**

use attenuation between all units in test setup 37

**CKEY command** 24

**COMMAND FAILED error message** 20

**Command summary, table** 20

**Commands**

AMASK (set/display alarm triggers) 22

ASENSE (set alarm output state) 23

BAUD (set/display rate, encoding) 23

BUFF (set/display data handling mode) 24

CKEY (enable/disable continuous keying) 24

CTS (set/display CTS line response timer) 24

DATAKEY (enable/disable transmitter keying by radio) 24

descriptions 22–30

DEVICE (set/display radio behavior) 25

DKEY (deactivate transmitter after KEY command) 25

DLINK (enable/disable network-wide diagnostics) 25

DMGAP (set time to wait between characters) 25

DTYPE (set radio to root or node for diagnostics) 26

DUMP (display all programmed settings) 26

entering on Hand-Held Terminal (HHT) 19

Hand-Held Terminal (HHT) 19

HREV (display hardware revision level) 26

INIT (reinitialize radio to factory defaults) 26

INIT xx10 (restore standard transceiver defaults) 26

INIT xx20 (configure radio for use with P-20 chassis) 27

KEY (activate transmitter) 27

MODEL (display radio model number code) 27

MODEM (set modem speed) 27

OWM (set/display owner's message) 27

OWN (set/display owner's name) 27

PTT (set/display key-up delay) 27

PWR (set/display RF forward output power) 27

RSSI (display RSSI) 28

RTU (enable/disable internal RTU) 28

RX (set/display receive frequency) 28

RXTOT (set/display receive time-out timer value) 28

SCD (set/display soft-carrier dekey delay) 29

SER (display radio serial number) 29

SHOW (display DC voltage, data port, RF power) 29

SNR (display signal-to-noise ratio) 29

SREV (display software revision level) 29

STAT (display current alarm status) 29

TEMP (display internal temperature) 30

TOT (set/display time-out value and timer status) 30

TX (set/display transmit frequency) 30

**Conversions, dBm-Watts-Volts** 40

**CTS command** 24

**CTS pinout (Pin 5)** 14

## D

---

**Data interface**

connector pinouts 14

display active connector port 29

installing connection 13

**DATAKEY command** 24

**dB. See Decibel** 6

**dB<sub>i</sub>, defined** 6

**dB<sub>m</sub>, defined** 6

**DCD**

LED 16

pinout (Pin 8) 14

**DCE (Data Circuit-terminating Equipment), defined** 6

**Decibel (dB), defined** 6  
**Description, product** 1  
**DEVICE command** 25  
**Diagnostic Channel Enable, pinout (Pin 23)** 15  
**Diagnostics**  
    interface specifications 35  
    network-wide, performing 37  
    PC software used for 38  
    using InSite software for network-wide 37  
**Display**  
    alarm status (STAT command) 29  
    alarm triggers (AMASK command) 22  
    all programmed settings (DUMP command) 26  
    baud rate and encoding (BAUD command) 23  
    connector port, active (SHOW command) 29  
    CTS line response timer (CTS command) 24  
    data handling mode (BUFF command) 24  
    DC voltage (SHOW command) 29  
    hardware revision level (HREV command) 26  
    key-up delay (PTT command) 27  
    model number code (MODEL command) 27  
    owner's message (OWM command) 27  
    owner's name (OWN command) 27  
    radio behavior (DEVICE command) 25  
    radio serial number (SER command) 29  
    receive frequency (RX command) 28  
    receive time-out timer value (RXTOT command) 28  
    RF forward output power (PWR command) 27  
    RF output (SHOW command) 29  
    RSSI (RSSI command) 28  
    signal-to-noise ratio (SNR command) 29  
    soft-carrier dekey delay (SCD command) 29  
    software revision level (SREV command) 29  
    temperature, internal (TEMP command) 30  
    time-out value and timer status (TOT command) 30  
    transmit frequency (TX command) 30  
**DKEY command** 25  
**DLINK command** 25  
    use of 38  
**DMGAP command** 25  
**Downloading new software** 38  
**DSP (Digital Signal Processing), defined** 7  
**DSR pinout (Pin 6)** 14  
**DTE (Data Terminal Equipment), defined** 7  
**DTYPE command** 26  
    use of 37  
**DUMP command** 26

## E

---

**EEPROM FAILURE error message** 20  
**Enable/disable**  
    continuous keying (CKEY command) 24  
    diagnostic channel, pinout (Pin 23) 15  
    internal RTU (RTU command) 28  
    network-wide diagnostics (DLINK command) 25  
    network-wide diagnostics, procedures 38  
**Environment specifications** 35  
**Equalization, defined** 7

**Error messages** 19  
    access denied 20  
    command failed 20  
    EEPROM failure 20  
    incorrect entry 19  
    not available 20  
    not programmed 20  
    text too long 20  
    unknown command 19

## F

---

**Fade margin, defined** 7  
**Feedlines** 12  
**Filter, helical, adjustment** 36  
**Frame, defined** 7  
**Frequency**  
    adjusting helical filter when changed 36  
    setting. See TX and RX commands

## G

---

**Glossary** 6  
**Ground**  
    on Pin 12 to enable Sleep mode 14  
    protective (Pin 1) 14  
    signal (Pin 7) 14

## H

---

**Half-duplex** 3  
    switched carrier operation 3  
**Hand-Held Terminal (HHT)** 5  
    connected to transceiver, illustrated 18  
    connection and startup 17  
    display in response to STAT command, illustrated 31  
    entering commands 19  
    error messages displayed on 19  
    keyboard commands 19  
    operational settings, table 19  
    reinitialization display, illustrated 18  
    reinitializing 18  
**Hardware flow control, defined** 7  
**Helical filter**  
    adjusting 36  
    illustration 36  
**Host computer, defined** 7  
**HREV command** 26

## I

---

**Illustrations**  
    4710A model number codes 4  
    9710A model number codes 4  
    antenna, Yagi 12  
    Hand-Held Terminal (HHT) connected to transceiver 18  
    Hand-Held Terminal (HHT) reinitialization display 18  
    Hand-Held Terminal display in response to STAT command 31

- helical filter locations 36
- MAS network 2
- network-wide diagnostics 37
- point-to-point link 3
- remote station arrangement 9
- RJ-11 to DB-9 adapter cable 38
- RSSI vs. Vdc 13, 16
- transceiver connectors & indicators 1
- transceiver mounting dimensions 11
- INCORRECT ENTRY error message** 19
- INIT command** 26
- INIT xx10 command** 26
- INIT xx20 command** 27
- InSite software**
  - using to perform remote diagnostics 37
- Installation** 9–15
  - antenna 9
  - configuring transceiver 10
  - DATA INTERFACE connection 9
  - data interface connections 13
  - power 10
  - power connection 13
  - steps 9
- Intrusive diagnostics (defined)** 7

## K

---

- KEY command** 27
- Keying**
  - continuously keyed versus switched carrier operation 3
  - continuously keyed, defined 3
  - on data (DKEY command) 25
  - switched carrier, defined 3

## L

---

- Latency, defined** 7
- LEDs**
  - DCD 16
  - indicators, described 16
  - PWR 16
  - RXD 16
  - RXD, Pin 3 14
  - status indicators, illustrated 16
  - TXD 16
  - TXD, Pin 2 14
- Loss. See Signal**

## M

---

- MAS (Multiple Address System)** 2
  - defined 7
  - illustration 2
- Master Station**
  - defined 7
  - keying behavior 3
- MCU (Microcontroller Unit), defined** 7
- MODEL command** 27
- Model number codes** 3

- 4710A, illustrated 4
- 9710A, illustrated 4
  - displaying (MODEL command) 27
- MODEM command** 27
- Modem, set speed. See MODEM command**

## N

---

- Network-wide diagnostics**
  - active messaging, defined 6
  - defined 8
  - enable/disable (DLINK command) 25
  - enable/disable internal RTU (RTU command) 28
  - illustrated 37
  - intrusive diagnostics, defined 7
  - passive messaging (defined) 8
  - procedures 37
  - set radio to root or node (DTYPE command) 26
  - set time to wait between characters (DMGAP command) 25
- NOT AVAILABLE error message** 20
- NOT PROGRAMMED error message** 20

## O

---

- Operation** 15–16
  - environment specifications for 35
- Output, 9.9 Vdc regulated, pinout (Pin 19)** 15
- OWM command** 27
- OWN command** 27
- Owner's message, set/display. See OWM command**
- Owner's name, set/display. See OWM command**

## P

---

- Passive messaging (defined)** 8
- Payload data (defined)** 8
- Pinouts on data interface** 14
- PLC (Programmable Logic Controller), defined** 8
- Point-to-multipoint**
  - defined 8
  - system 2
- Point-to-point**
  - link, illustrated 3
  - system 3
- Poll, defined** 8
- Power**
  - connection 13
  - display DC voltage (SHOW command) 29
  - display RF output (SHOW command) 29
  - installing 10
  - LED status indicator (PWR LED) 16
  - RF, chart for converting dBm-Watts-Volts 40
  - specifications 35
- Procedures**
  - checking for alarms (STAT command) 31
  - connecting Hand-Held Terminal (HHT) 17
  - downloading new software 38
  - entering commands using the Hand-Held Terminal (HHT) 19
  - helical filter adjustment 36

- installation 9
- measuring RSSI with DC voltmeter 16
- network-wide diagnostics 37
- operation 15, 16
- performance optimization 15
- reading LED status indicators 16
- resetting Hand-Held Terminal (HHT) 18
- troubleshooting 30–33

#### Product

- accessories 4
- description 1
- display model number code (MODEL command) 27
- display radio serial number (SER command) 29
- model number codes 3

#### Programming radio as root or node 37

#### Programming, transceiver 17–30

#### PTT

- command 27
- pinout (Pins 14, 16) 14

#### PWR

- command 27
- LED 16

## R

---

#### Radio

- Configuration Software 5, 38
- Inhibit pinout (Pin 12) 14
- serial number, displaying (SER command) 29

#### Receive Audio Output pinout (Pin 11) 14

#### Receiver

- specifications 34
- system specifications 33
- unsquelched signal (Pin 10) 14

#### Redundant operation, defined 8

#### Remote

- RTU reset (Pin 15) 15
- Station, defined 8
- Station, illustrated 9

#### Resetting

- Hand-Held Terminal (HHT) (SHIFT,CTRL,SPACE keys) 18
- remote RTU reset (Pin 15) 15
- transceiver (INIT command) 26

#### Revision level

- display hardware (HREV command) 26
- display software (SREV command) 29

#### RSSI

- adjusting helical filter for increased signal strength 36
- command 28
- command, used to refine antenna heading 15
- measuring 16
- pinout (Pin 21) 15
- vs. Vdc, illustrated 13, 16

#### RTS pinout (Pin 4) 14

#### RTU

- command 28

#### RTU (Remote Terminal Unit)

- defined 8
- remote reset (Pin 15) 15

#### RUS pinout (Pin10) 14

#### RX command 28

#### RXD LED

- description 16
- Pin 3 14

#### RXTOT command 28

## S

---

#### SCADA (Supervisory Control And Data Acquisition), defined 8

#### SCD command 29

#### SER command 29

#### Set

- alarm output state (ASENSE command) 23
- alarm triggers (AMASK command) 22
- receive time-out timer value (RXTOT command) 28

#### SHOW command 29

#### Signal

- ground (Pin 7) 14
- loss due to coaxial cable length at 960 MHz, table 12
- loss due to coaxial cable length, table 12

#### Simplex 3

- single-frequency operation 3
- special case of switched carrier operation 3

#### Sleep mode

- example implementation 13
- ground on Radio Inhibit pin activates 14
- Pin 12 14
- shown by PWR LED status indicator 16

#### SNR command 29

#### Software

- diagnostics and control used from PC 38
- display revision level 29
- upgrades (.S28 files) 39
- upgrading 38
- used for diagnostics and programming 17

#### Specifications

- diagnostics interface 35
- environment 35
- power 35
- receiver 34
- receiver system 33
- transceiver 33–35
- transmitter 34
- transmitter system 33

#### SREV command 29

#### STAT command 29

#### SWR (Standing Wave Radio), defined 8

## T

---

#### Tables

- accessories 5
- alarm code definitions 32
- command summary 20
- conversions, dBm-Watts-Volts 40
- data interface connector pinouts 14
- Hand-Held Terminal (HHT) operational settings 19
- LED status indicators 16
- length vs. loss in coaxial cables 12

length vs. loss in coaxial cables at 960 MHz 12

**Technical reference** 33–40

**TEMP command** 30

**Temperature, displaying internal (TEMP command)** 30

**TEXT TOO LONG error message** 20

**Timer, set/display time-out value and status (TOT command)** 30

**TOT command** 30

#### **Transceiver**

applications 2

configuring for operation 10

connectors and indicators, illustrated 1

diagnostics using PC software 38

dimensions, mounting 11

mounting 9, 11

programming 17–30

specifications 33–35

upgrading software 38

**Transmit Audio Input pinout (Pin 9)** 14

#### **Transmitter**

specifications 34

system specifications 33

**Troubleshooting** 30–33

connecting Hand-Held Terminal (HHT) for displaying alarm  
codes 17

performing network-wide diagnostics 37

STAT command (Status) 31

using PC software for 38

**TX command** 30

#### **TXD LED**

description 16

Pin 2 14

## U

---

**UNKNOWN COMMAND error message** 19





# IN CASE OF DIFFICULTY...

---

Our products are designed for long life and trouble-free operation. However, this equipment, as with all electronic equipment may have an occasional component failure. The following information will assist you in the event that servicing becomes necessary.

## FACTORY TECHNICAL ASSISTANCE

---

Technical assistance for our products is available from our Customer Support Team during business hours (8:00 A.M.–5:30 P.M. Eastern Time). When calling, please give the complete model number of the radio, along with a description of the trouble symptom(s) that you are experiencing. In many cases, problems can be resolved over the telephone, without the need for returning the unit to the factory.

Please use the following telephone numbers for product assistance:

716-242-9600 (Phone)

716-242-9620 (FAX)

## FACTORY REPAIRS

---

Component-level repair of radio equipment is *not* recommended in the field. Many components are installed using surface mount technology, which requires specialized training and equipment for proper servicing. For this reason, the equipment should be returned to the factory for any PC board repairs. The factory is best equipped to diagnose, repair and align your radio to its proper operating specifications.

If return of the equipment is necessary, you will be issued a Returned Material Authorization (RMA) number. The RMA number will help expedite the repair so that the equipment can be repaired and returned to you as quickly as possible. Please be sure to include the RMA number on the outside of the shipping box, and on any correspondence relating to the repair. *No equipment will be accepted for repair without an RMA number.*

A statement should accompany the radio describing, in detail, the trouble symptom(s), and a description of any associated equipment normally connected to the radio. It is also important to include the name and telephone number of a person in your organization who can be contacted if additional information is required.

The radio must be properly packed for return to the factory. The original shipping container and packaging materials should be used whenever possible. All factory returns should be addressed to:

Microwave Data Systems Inc.  
Customer Service Department  
(RMA No. XXXX)  
175 Science Parkway  
Rochester, NY 14620 USA

When repairs have been completed, the equipment will be returned to you by the same shipping method used to send it to the factory. Please specify if you wish to make different shipping arrangements.



Microwave Data Systems Inc.

175 Science Parkway, Rochester, New York 14620  
General Business: +1 (716) 242-9600  
FAX: +1 (716) 242-9620  
Web: [www.microwavedata.com](http://www.microwavedata.com)