

# JB255DJ

## GE® 30" Free-Standing Electric Range

### Dimensions and Installation Information (in inches)

#### Receptacle Locations

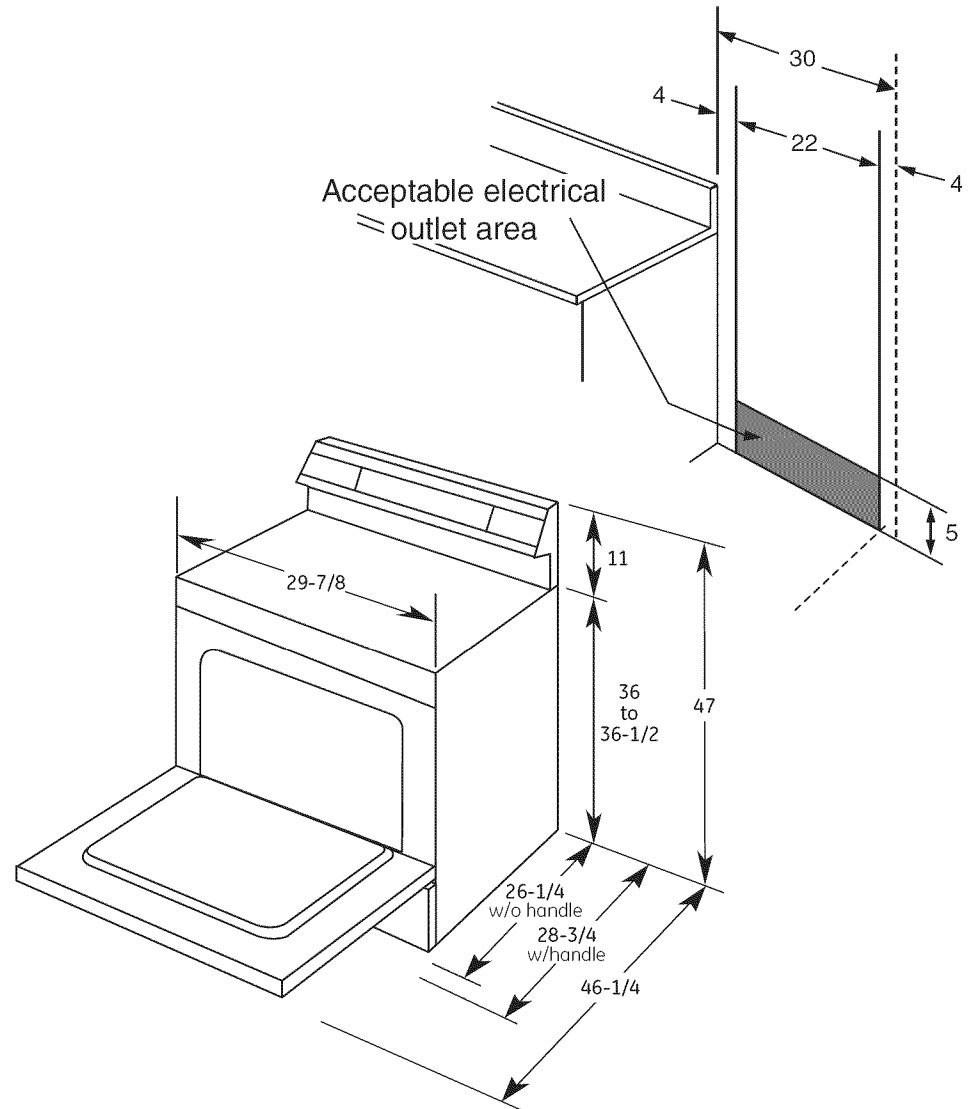
Locally approved flexible service cord or conduit must be used because terminals are not accessible after range installation. See shaded area in drawing for location of electrical outlet box. Recommended outlet locations allow range to be installed directly against wall.

**Note:** 30" ranges conform to U.L. requirements for 0" spacing from adjacent walls below countertops. To reduce possibility of scorching walls, engineering recommends a minimum of 1-1/2" spacing to allow for possible extended, high-heat, no-load heating element operation.

**Installation Information:** Before installing, consult installation instructions for current dimensional data and additional requirements.

KW Rating	
240V	12.1
208V	9.1
Breaker Size	
40 Amps†	

†**Note:** Check local codes for required breaker size.



For answers to your Monogram® or GE® appliance questions, visit our website at [geappliances.com](http://geappliances.com) or call GE Answer Center® service, 800.626.2000.



All GE ranges are equipped with an Anti-Tip device. The installation of this device is an important, required step in the installation of the range.



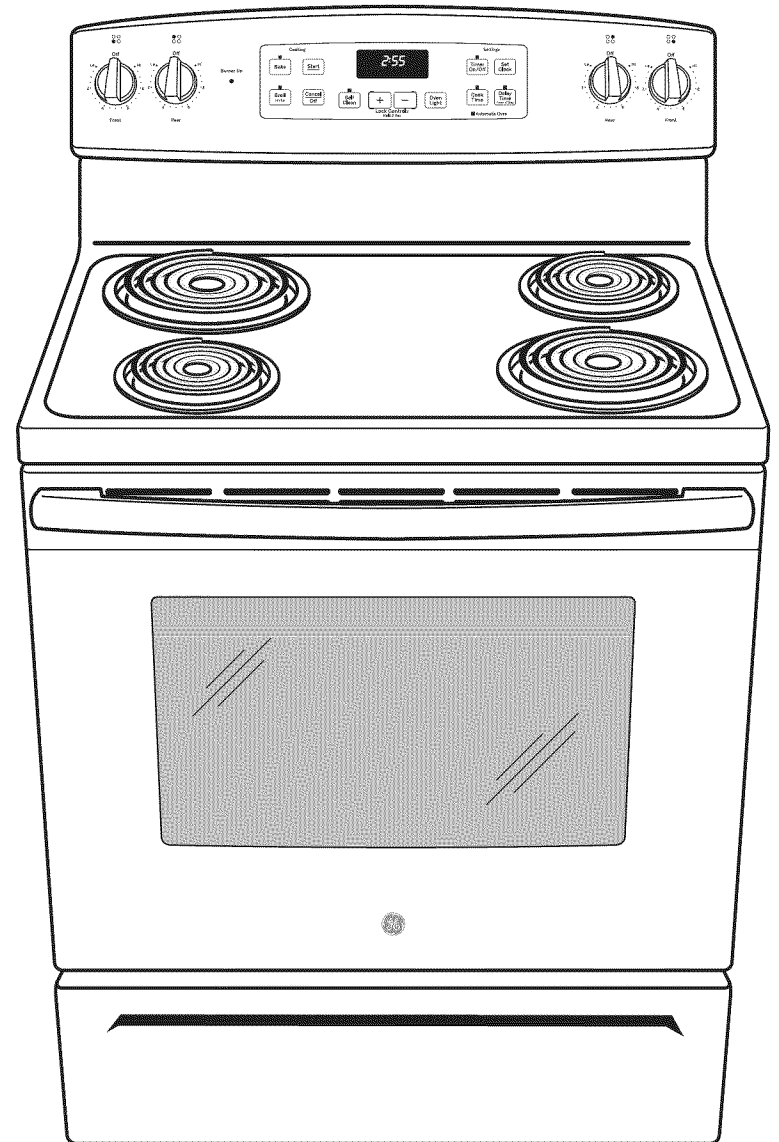
Listed by Underwriters Laboratories

# JB255DJ

## GE® 30" Free-Standing Electric Range

### Features and Benefits

- 5.0 cu. ft. Oven Capacity - Enough room to cook an entire meal at once
- Self-Clean Oven - Cleans the oven cavity without the need for scrubbing
- Coil Heating Elements - Provide even heat and easy cleanup
- Dual Element Bake - Upper and lower elements produce even heat and great results
- Removable Full-Width Storage Drawer - Store cookware or kitchen accessories
- Model JB255DJCC - Bisque on bisque
- Model JB255DJWW - White on white
- Model JB255DJBB - Black on black



imagination at work