

Orchestra of Lights - Lightshow Tree and Speaker

SAFETY INFORMATION

WARNING: READ AND UNDERSTAND ALL INSTRUCTIONS.

Failure to follow all instructions listed below may result in electric shock, fire and/or serious personal injury.

WARNING: ELECTRIC PRODUCT. Keep away from children. Not recommended for children under 3 years of age. As with all electrical products, precautions should be observed during handling and use to reduce the risk of electric shock. If the supply cord is damaged, it must be replaced by the manufacturer, its service agent or similarly qualified persons in order to avoid a hazard. To avoid the risk of electrical shock, always make sure the figure is unplugged from the electrical outlet before assembling, disassembling, or relocating.

WARNING: This product is to be assembled by adults only.

IMPORTANT SAFETY INSTRUCTIONS READ AND FOLLOW ALL SAFETY INSTRUCTIONS

When using electrical products, basic precautions should always be followed, including the following:

- This is an electrical product - not a toy! To avoid risk of fire, burns, personal injury, and electric shock, it should not be played with or placed where small children can reach it.
- Do not use seasonal products outdoors unless marked suitable for indoor and outdoor use. When products are used in outdoor applications, connect the product to a Ground Fault Circuit Interrupting (GFCI) outlet. If one is not provided, contact a qualified electrician for proper installation.
- This seasonal use product is not intended for permanent installation or use.
- Do not mount or place near gas or electric heaters, fireplaces, candles, or other similar sources of heat.
- Do not secure product wiring with staples or nails or place on sharp hooks or nails.
- Do not let lamps rest on the supply cord or on any wire.
- Unplug the product when leaving the house, when retiring for the night, or if left unattended.
- Do not use this product for other than its intended purpose.
- Do not hang ornaments or other objects from cord, wire, or light string.
- Do not close doors or windows on the product, or extension cords, as this may damage the wire insulation.
- Do not cover the product with a cloth, paper, or any material not part of the product when in use.
- Do not place the product against carpeting, furniture, or any other fabric when in use.
- Read and follow all instructions that are on the product or provided with the product.

SAVE THESE INSTRUCTIONS

SAFETY INFORMATION

CAUTION

This device complies with Part 15 of the FCC Rules. Operation is subject to the following two conditions: (1) this device may not cause harmful interference, and (2) this device must accept any interference received, including interference that may cause undesired operation.

CAUTION: Changes or modifications not expressly approved by the party responsible for compliance could void the user's authority to operate the equipment.

NOTE: This equipment has been tested and found to comply with the limits for a Class B digital device, pursuant to Part 15 of the FCC Rules. These limits are designed to provide reasonable protection against harmful interference in a residential installation. This equipment generates, uses, and can radiate radio frequency energy and, if not installed and used in accordance with the instructions, may cause harmful interference to radio communications. However, there is no guarantee that interference will not occur in a particular installation. If this equipment does cause harmful interference to radio or television reception, which can be determined by turning the equipment off and on, the user is encouraged to try to correct the interference by one or more of the following measures:

- Reorient or relocate the receiving antenna.
- Increase the distance between the equipment and receiver.
- Connect the equipment into an outlet on a circuit different from that to which the receiver is connected.
- Consult the dealer or an experienced radio/TV technician for help.

Radiation Exposure Statement

This equipment complies with FCC radiation exposure limits set forth for an uncontrolled environment. This equipment should be installed and operated with minimum distance 20cm between the radiator and your body.

This transmitter must not be co-located or operating in conjunction with any other antenna or transmitter.

PREPARATION

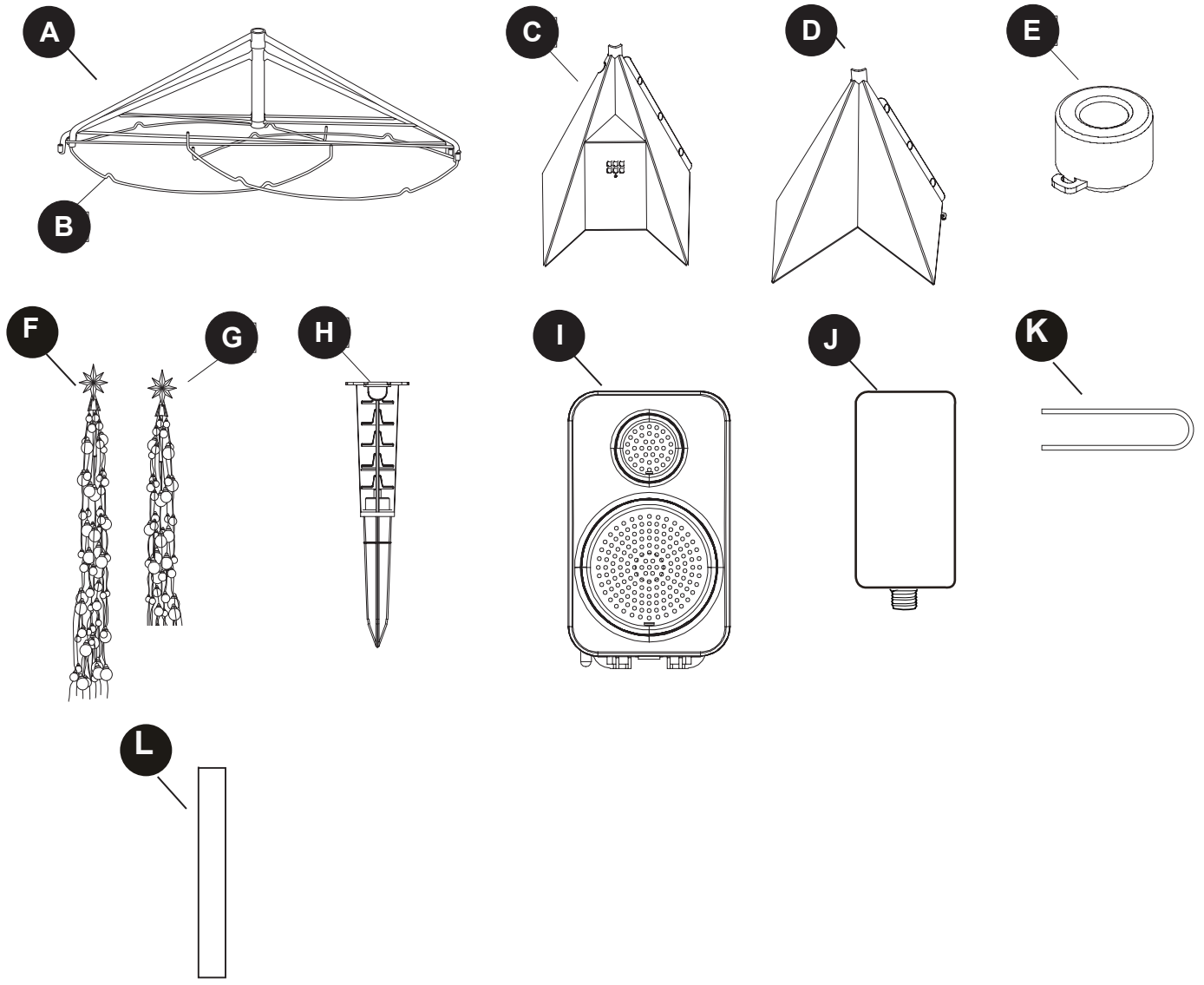
Before beginning assembly of product, make sure all parts are present. Compare parts with package contents list. If any part is missing or damaged, do not attempt to assemble the product.

Estimated Assembly Time: 15-20 minutes.

PACKAGE CONTENTS

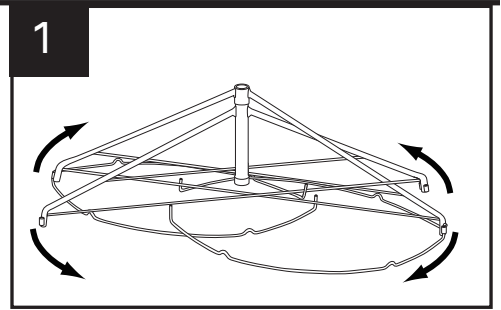
PART	DESCRIPTION	QUANTITY
A	Base	2
B	Support Rings	8
C	Controller	1
D	Plastic covers	7
E	Base Connector ring	2
F/G	Star Topper with Light Strings	1

PART	DESCRIPTION	QUANTITY
H	Speaker stake	1
I	Speaker	1
J	UL-listed Adaptor	1
K	Metal stakes	8
L	Poles	3

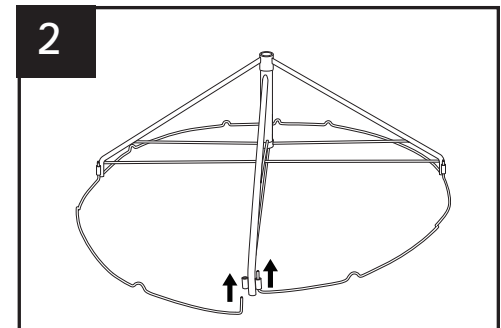


ASSEMBLY INSTRUCTIONS

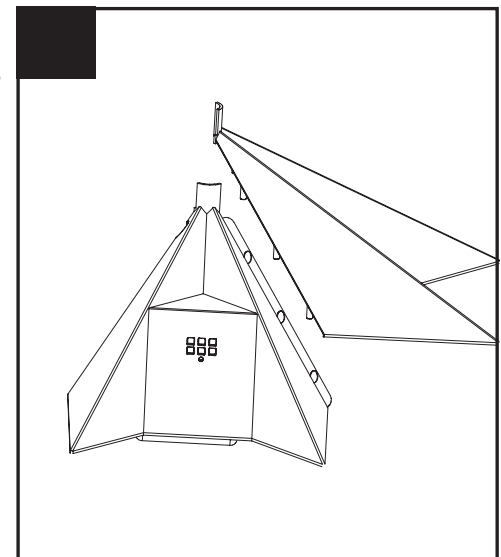
1. Set bases (A) out in a clear and flat area. Unfold each base (A) to allow it to stand up.



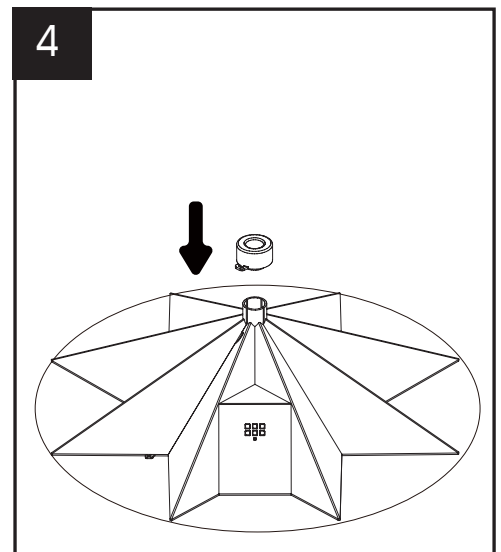
2. Attach support rings (B) on each base (A).



3. Use controller (C) for the larger tree and begin attaching the plastic covers (D) and place over base (A). Attach plastic covers (D) for the smaller tree and place over base (A).



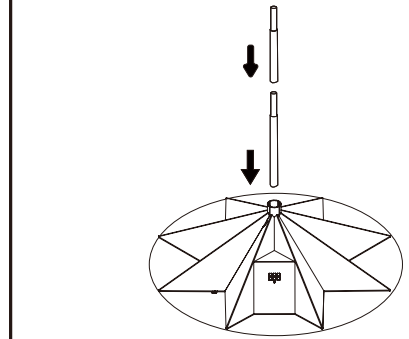
4. Attach base connector ring (E) over the top of the assembled base.



ASSEMBLY INSTRUCTIONS

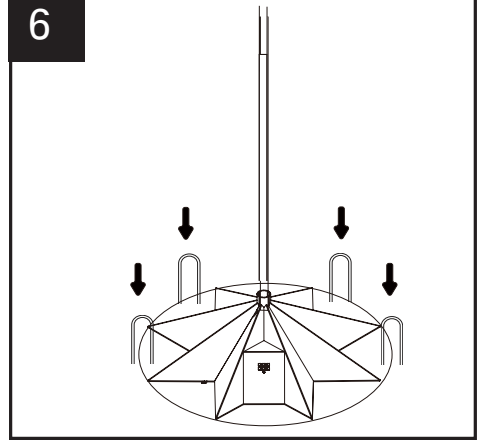
5. Assemble 2 support poles (L) for the larger tree and 1 support pole (L) for the smaller tree.

5



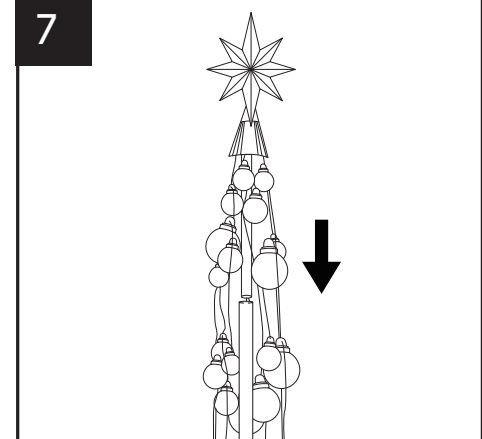
6. Begin staking each tree into ground using the metal stakes (K).

6



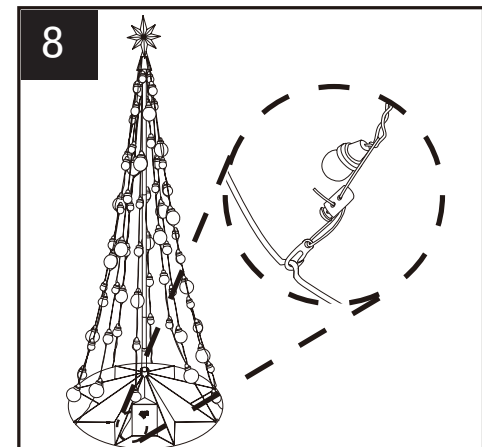
7. Take the Star Topper marked "F" and place on the taller support pole (L). Take the Star Topper marked "G" and place on the shorter support pole (L).

7



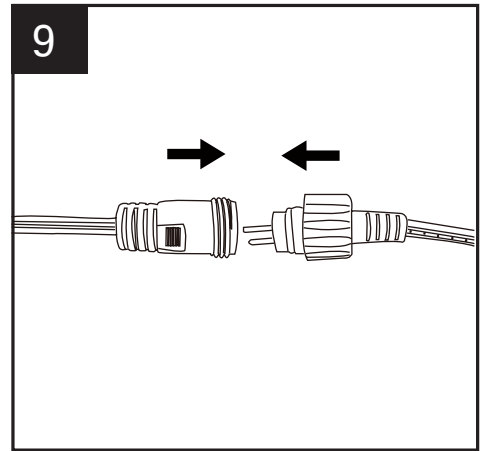
8. Carefully drape light strings down toward the ground based on their number order in a clockwise direction. Use the plastic clip to secure the light strings to the arched areas along the support ring (B), being careful to secure them in a clockwise numbered order. Tighten each with the cinch clip until taut.

8

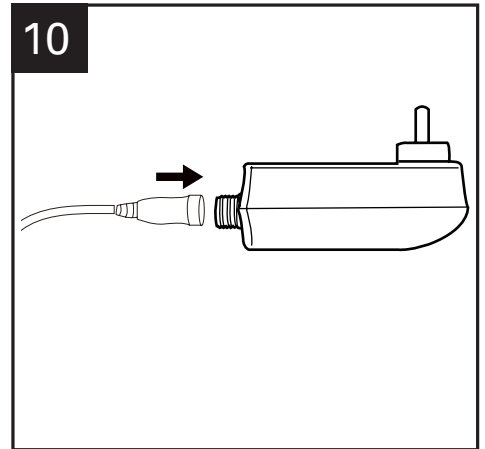


ASSEMBLY INSTRUCTIONS

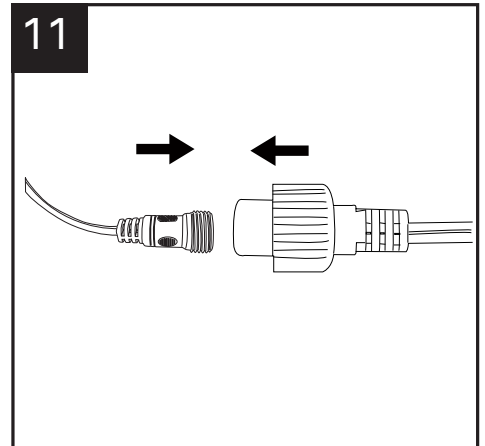
9. Connect the two trees together by attaching the cables.



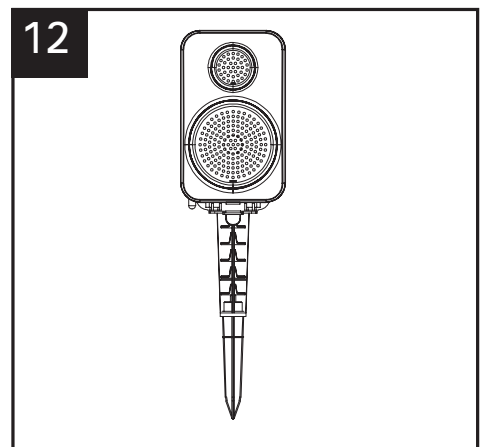
10. Connect the UL listed adapter (J) to the main control box.



11. Connect the speaker wire to the control box.



12. Slide stake into the bottom of the speaker and insert into ground.



CARE AND MAINTENANCE

- When the product is placed on a live tree, the tree should be well-maintained and fresh. Do not place on live trees in which the needles are brown or break off easily. Keep the tree holder filled with water.
- If the product is placed on a tree, the tree should be well-secured and stable.
- Before using and reusing, inspect the product carefully. Discard any products that have cut, damaged or frayed wire insulation cords, cracks, lamp holders or enclosures, loose connections, or exposed copper wire.
- When storing the product, carefully remove the product from wherever it is placed, including trees, branches, or bushes, to avoid any undue strain or stress on the product conductors, connections and wires.
- When not in use, store neatly in a cool, dry location protected from sunlight.
- Do not discard box as it should be used for storage.
- Return all parts to the original packaging, if possible.
- The remote control is not weatherproof. Please operate and store in a dry environment.

TROUBLESHOOTING

If you have any questions regarding the product, please call customer service at 1-877-250-9032, 9 a.m. - 5 p.m., CST, Monday-Friday.

The product is not operating properly.	1. The power source may be disabled or the cord is unplugged.	1. Check all power cords to ensure that they are properly connected.
--	---	--

THESE INSTRUCTIONS ARE FOR THESE ITEM NUMBERS

113341

QD ID: 91274



Visit WWW.GEMMY.COM for more information.
©2018 GEMMY INDUSTRIES CORP.
117 WRANGLER DRIVE, SUITE 100
COPPELL, TX 75019 U.S.A.
1 (877) 250-9032
MADE IN CHINA / PRINTED IN CHINA