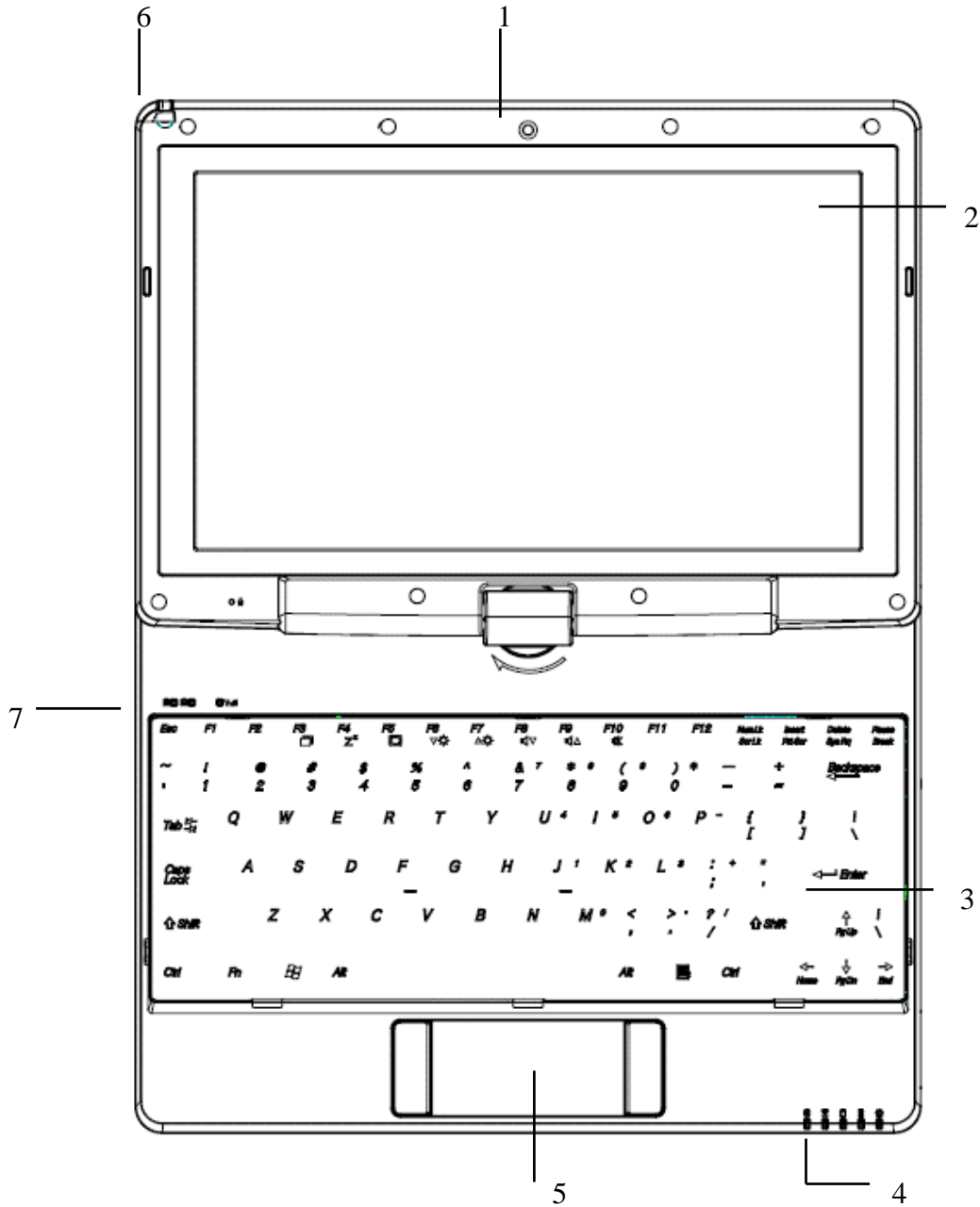


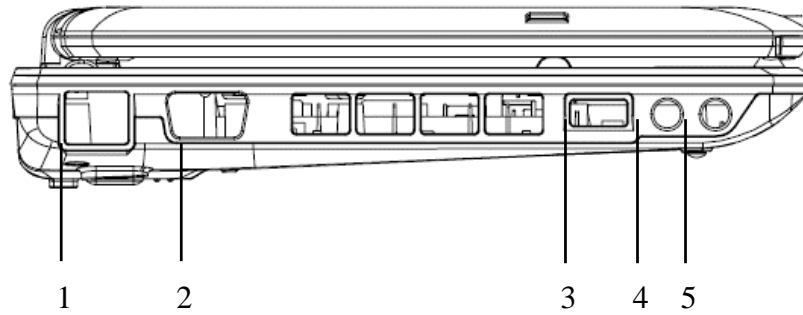
Chapter 1 Introducing Your M1028 CafeBook

This chapter will show you how to operate your M1028 SERIES M1028 CafeBook computer, including connecting the AC adaptor, turning the computer on/off, using touch-pad, keyboard, hot keys, battery, and so on. If you are new to computers and to the operating system, this chapter will guide you through some of the new exciting features.



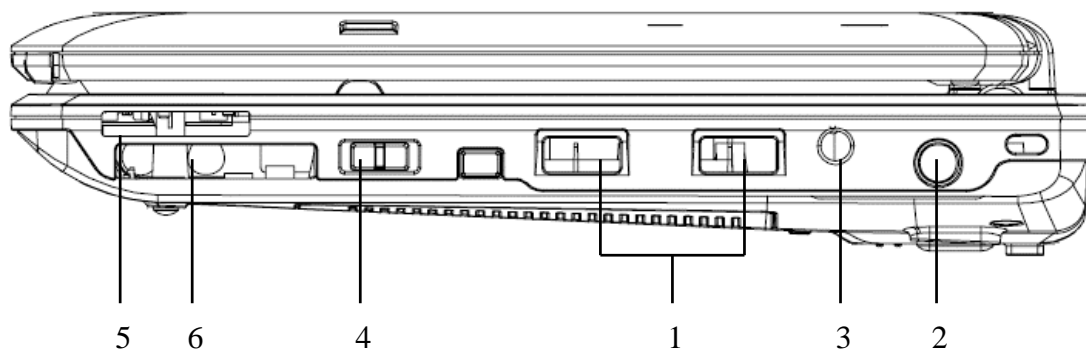
1.1 Panoramic View

No.	Item	Function
1	Web camera	Built-in 1.3M camera
2	LCD	To display the content output from the system
3	Keyboard	To input characters and numbers
4	Five system LEDs	Five LED lights of system signal From left to right Bluetooth signal WLAN signal HDD signal Battery signal Power on signal
5	Touchpad	To function as mouse
6	Stylus Pen Slot	To place the stylus pen.
7	Num. Lock , Caps Lock & 3.5G LEDs	Num. Lock, Caps Lock & 3.5G LED lights



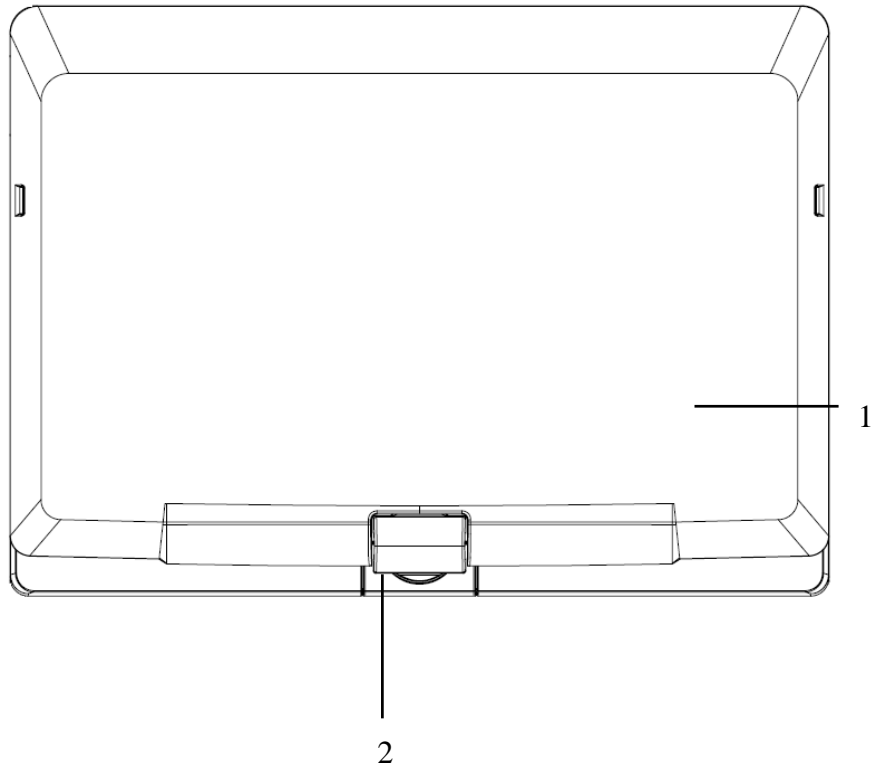
1.2 Left Side

No.	Item	Function
1	LAN RJ45 Jack	To connect LAN
2	VGA Port	To connect VGA monitor.
3	USB port	To connect peripheral equipment with USB interface.
4	MIC jack	To connect MIC to input audio signal.
5	Line out	To connect equipment to output sound.



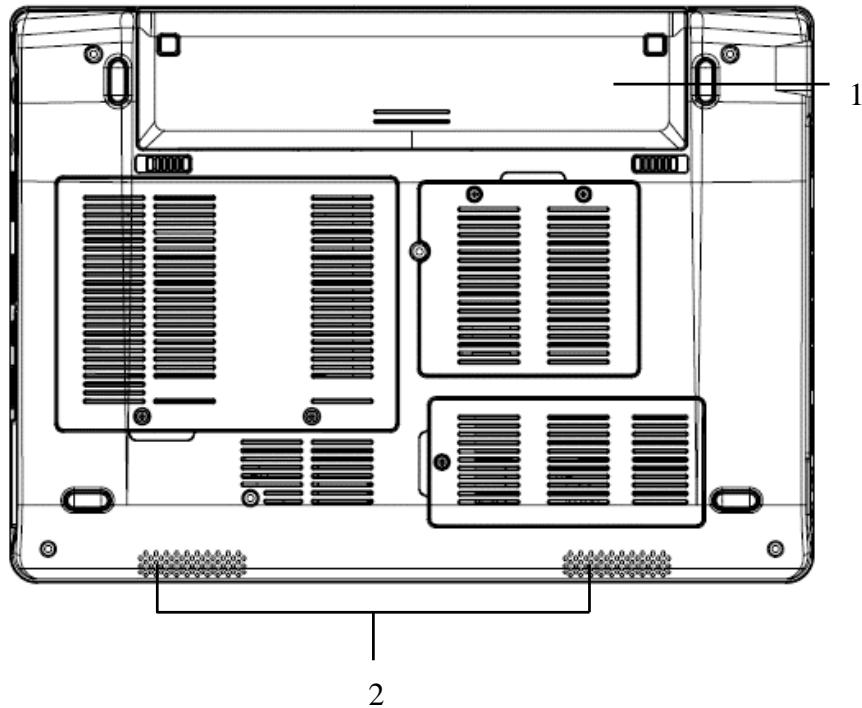
1.3 Right Side

No.	Item	Function
1	USB port	To connect peripheral equipment with USB interface.
2	DC-in hole	To connect AC adapter to power on M1028 CafeBook.
3	3.5G External Antenna	To connect 3.5G antenna
4	Function bottom	To switch function key on
5	Media Card Slot(SD/MMC/MS)	To connect SD/MMC/MS Card
6	Express Card slot	To connect an Express Card.



1.4 Cover Side

No.	Item	Function
1	Cover	To Protect the M1028 CafeBook
2	Axle	To turn



1.5 Bottom Side

No.	Item	Function
1	Battery Pack	Installed in the battery compartment, to supply power to M1028 CafeBook when AC power is disconnected.
2	Speaker	To output the audio sound from the system.

1.6 Status Indicators

Icon	Item	Function
	WLAN Status	Wireless on/off status.
	HDD	M1028 CafeBook is reading from, or writing to hard disk.
	Power status	Blue off \ System is turned off or in hibernation mode.
		Blue flashing \ System is in Standby mode.
		Blue on \ System is in operating.
	Battery status	Blue off \ Recharging is finished or M1028 CafeBook is not powered by AC adapter.
		Blue on \ Battery is in recharging.

1.7 Turning Your M1028 CafeBook On and Off

Turning on the power

Open the M1028 CafeBook lid, press and hold the power switch for one or two seconds. The power indicator will glow blue once the computer is powered on.

Turning off the power

If you are not going to use your M1028 CafeBook computer for a while, it is best to turn off its power. Before turning off power, close all program first and shut down the operating system.

After turning off your M1028 CafeBook computer, make it a habit to leave the LCD panel open for a while after it has been used for an extended period of time. This allows the interior of your M1028 CafeBook computer to cool off. Closing the panel will force the heat up against the LCD screen, and doing so after a while may damage the screen. More importantly, never close the LCD panel for a long period of time when the computer is on or when the power saving function is disabled.

Suspend mode


You can adjust default power management settings in the Power Option/Advanced dialog box. The Power Options dialog box provides several operating functions after your computer has been idle for a while.

1.8 Keyboard Functions

M1028 M1028 CafeBook computer is equipped with a standard typewriter-layout keyboard and has extra features.

Icon	Description
Caps Lock	Press Caps Lock to set all the characters input are capital letters.
Num Lk (Fn+F11)	To turn on the numeric keypad overlay, press Num Lk .
Scrl Lk (Fn+F12)	Press this key to scroll the screen under some programs.
	Press this key to activate Windows® START menu.
	Press this key to function as the right key of mouse.

Fn Combination Keys (Hot Keys)

Use  **Fn** key combined with other keys to activate, close or set special functions. These combinations are also called Hot Keys. To use the Hot Keys, press and hold down **<Fn>** together with the keys described below:

Icon	Description
<i>Fn+F1</i>	<p>Hibernation</p> <p>Press this key combination to make system enter hibernation mode.</p> <p>In this mode, the back light of the LCD panel would be turned off and a host of internal devices would enter into a stage of lower power consumption.</p>
<i>Fn+F2</i>	<p>Wireless LAN</p> <p>To activate Wireless LAN.</p>
<i>Fn+F3</i>	<p>Brightness decreasing</p> <p>Press this key combination to decrease the brightness of the LCD.</p>
<i>Fn+F4</i>	<p>Brightness increasing</p> <p>Press this key combination to increase the brightness of the LCD.</p>
<i>Fn+F5</i>	<p>LCD / Video-out Switch</p> <p>Press this key combination to switch between :</p> <p>LCD mode only;</p> <p>Video-out mode only;</p> <p>LCD and Video-out simultaneously mode</p> <p>Notice : This function works under certain setting of OS, please refer to your instruction of OS.</p>
<i>Fn+F6</i>	<p>Touch Pad Enable/Disable</p> <p>Press this key combination to enable/disable Touch Pad function.</p>
<i>Fn+F7</i>	<p>Mute</p> <p>Press this combination to open/close output of audio signal.</p>
<i>Fn+F8</i>	<p>Voice weakening</p> <p>Press this key combination to weaken the voice output.</p> <p>Notice: This function works under certain setting of OS, please refer to your instruction of OS.</p>

<i>Fn+F9</i>	<p>Voice strengthening</p> <p>Press this key combination to strengthen the voice output.</p> <p>Notice: This function works under certain setting of OS, please refer to your instruction of OS.</p>
<i>Fn+F10</i>	<p>3.5G</p> <p>To activate 3.5G</p>
<i>Fn+F11</i>	<p>Bluetooth</p> <p>To activate Bluetooth</p>

1.9 Using the Touchpad

The built-in touch pad is a PS/2-compatible pointing device that senses movement on its surface. This means that cursor responds as you move your finger on the surface of the touchpad. The central location on the palm rest provides optimum comfort and support.

The following teaches you how to use the touch pad:

Move your finger across the touch pad to move the cursor.

Press the left and right buttons located on the edge of the touch pad to do selection and execution functions. These two buttons are similar to the left and right buttons on a mouse.

Tapping on the touch pad produces similar results.

1.10 Using the built-in camera

The availability of the function depends on the configuration of M1028 CafeBook you bought. The model you bought may be equipped with a built-in camera, and the built-in camera adds video functionality to instant messaging software and video editing software.

Tips: For using the built-in camera, see the help file on the utility software.

Tips: The built-in camera cannot be shared by more than one software application. If another application is using the camera, exit the application before using the built-in camera.

1.11 Using the Audio

You can control volume under your Windows operation system:

Click the volume icon on task bar and use the button to adjust volume.

Or you can double click the volume icon to activate Volume Control to adjust control items of volume.

Tips: You can use Fn combination keys to adjust volume. Please refer to “FN combination keys”.

Please adjust the voice down before you connect an external audio equipment, such as earphone or MIC.

1.12 Using the Wireless LAN (WLAN)

You can use Wireless LAN to connect to the network and use the Internet in your home and office,so there is no need anymore to pull cables or wires.

Connecting and using the wireless network

You can use the Function key (*1.8 Using the Launch Keys*) or Fn combination keys (*1.8 Keyboard Function*) to turn on wireless Lan

Right-click the Wireless network icon on the Taskbar and select View available wireless network Select AP (Access Point) you want to connect to and type necessary information. Click Connect. And If you place the mouse pointer on the Wireless network icon on the Taskbar, you can see the status of the wireless network.

○

Tips: You can learn details by referring to instruction document of wireless network.

○

The availability of the functions depend on the configuration of M1028 CafeBook you bought, see the Spec to see whether your model supports the function.

○

Notice: Creating security settings for the wireless LAN is important, we assume no responsibility for any security problems that may arise from the use of the wireless LAN.

1.13 Using the Battery Pack

M1028 M1028 CafeBook computer is designed to operate with one of the following power sources:

*AC power (using the AC adapter connected to an electrical outlet)

*Lithium-Ion (Li-Ion) battery pack

You should use the AC adapter whenever possible; use the battery pack only when AC power is unavailable. The rechargeable Li-Ion battery pack allows you to operate your M1028 CafeBook computer without an external power source. When you use the AC adapter to connect your M1028 CafeBook to a power outlet, the internal battery will begin to recharge. While the battery is charging, the Battery Charge icon on the indicator panel will be on. Once the battery is fully charged, the Battery Charge icon will turn off. Quick charging time is 2.5 hours for the Lithium-Ion (Li-Ion) battery when the computer is turned off, while the normal battery charging time is 3.5 hours.

*Operating video, or audio equipment can increase the use of your computer's power.

*Decreasing monitor brightness can also save power.

*When the battery is not fully charged, allow your battery to be charged completely before using it (i.e., before disconnecting AC power). Calibrating the battery before use is also highly recommended.

*Li-Ion Battery is vulnerable; do not charge it with other power adapter, otherwise fire or explosion may occur.

Replacing the Battery

The battery will gradually weaken over time. We recommend that you replace your battery when you notice a significant decrease of battery capacity.

To change the battery pack, follow the steps below:

1. Turn off the computer.
2. Close the lid and flip the computer over.
3. Slide the battery latch. Continue to hold it until the battery is removed.
4. Make sure the replacement battery is properly oriented before inserting it into the battery compartment.

Note: The battery can not be charged to 100% when remaining battery is no less than 95%. It is based on the supplier's advice, and to extend charging frequency and battery life.

Maintenance of the AC Adapter

*Do not connect the adapter to any other device.

*Do not step on the power cord or place heavy objects on top of it. Carefully route the power cord and keep cables away from all traffic.

*When unplugging the power cord, do not pull on the cord itself but on the plug instead.

*If you are using an extension cord, make sure that the devices plugged onto the cord do not exceed its total capacity. Furthermore, the devices plugged into the electrical outlet shall not exceed the fuse's total ampere rating.

*Please verify power voltage before connecting the electrical cord to the power outlet. If you are uncertain of its power specification, please consult with your local vendors or power company for more details.

1.14 Connecting the AC Adapter

The AC adapter converts AC power to DC power and reduces the voltage supplied to the computer. It can automatically adjust to any voltage from 100 to 240 volts and outputs power at 12V, (12V, 3.0A for M1028), allowing you to use your M1028 CafeBook computer in almost any region.

CAUTION: Use only the AC adapter and the power cord we recommend. Using the wrong adapter may damage your computer. We assume no responsibilities for damages arising from misuse of AC adapters.

To properly connect the adapter, follow the steps as below:

1. Connect the power cord to the AC adapter.
2. Connect the AC adapter to the DC power port of your computer.
3. Connect the AC adapter power cord to an AC outlet.

1.15 Installing M1028 Device Drivers

If your M1028 M1028 CafeBook Computer already has an operating system installed, it is best to install all necessary device drivers in order for the hardware to properly function.

Before installing drivers, check with your vendors to see if they have already installed all the drivers with the operating system, if not, please follow the steps below:

1. You can find the Utility Driver CD like the one shown below:
2. Put the CD into the CD R-W or DVD-RW (optional) Drive. An Auto Run installation screen will appear.

1.16 Touch Screen Calibration

If your M1028 M1028 CafeBook Computer already has an operating system installed, it is best to install all necessary device drivers in order for the hardware to properly function.

The stylus pen together with the system touch-screen LCD display provides you a touch-screen operation by emulating the industry standard mouse left click. Below are the two conditions that you need to calibrate your touch-screen.

- The first time Windows is installed and boot up. The active cursor is shifted; not exactly the same position where the stylus pen tip is tapped.
- Periodically when you find the active cursor is shifted away from the screen position where the stylus pen tip is tapped.

To calibrate the touch-screen, go into **Desktop Menu => PenMount Control => Device =>**

PenMount 6000 USB Resistive Digitizer => Configure => Calibrate => Standard Calibration. In the **Setting** screen, select **Calibrate**. Then follow instruction to complete calibration.

Note: You need to set screen display resolution to right resolution 1280x768 or 1024x600 (depends on your hardware specification) before proceeding with the calibration.

1.17 Use your M1028 as a Tablet PC

The screen of M1028 is convertible to simulate a Tablet PC. Follow the steps to use this function.

1. Open the lid (the screen display) of M1028.
2. On the top center above the keyboard is the pivot connecting the display panel to the bottom case. There is a sign
3. Follow the sign to turn the screen clockwise up to 180 degree so that the screen is facing out.
4. Lay the turned screen down into the flat position. The keyboard will be covered by the display. Use the stylus or simply touch the screen to operate M1028 as a Tablet PC.
5. When done with Tablet PC, reverse the above instruction (erect the screen to 90 degree, turn counterclockwise to 180 degree) to set M1028 back to original position.

* Attention: Please note that the screen can only rotate at 180 degree clockwise. Be sure to turn the screen according to the sign. Forcing the screen to turn at the wrong angle will cause serious damage to M1028.

1.18 Operating Temperature

Operating Temperature : 10°C to 35°C

Chapter 2 Battery

2.1 Battery Pack

Your **M1028 CafeBook** is equipped with a high-energy rechargeable **Lithium Ion (Li-Ion)** battery pack. Battery life will vary depending on the product configuration, product model, applications loaded on the product, power management settings of the product, and the product features used by the customer. As with all batteries, the maximum capacity of this battery will decrease with time and usage.

2.2 Recharging The Battery Pack

Your **M1028 CafeBook** supports both on-line and off-line recharge. Follow the procedure below to recharge battery:

*Make sure the battery pack is installed in the **M1028 CafeBook**.

*Connect the AC adapter to the **M1028 CafeBook** and to an electrical outlet.

When a battery pack is being recharged, its battery LED (located at the upper left corner of LCD display) would be lit. For details on the LEDs, please refer to *Chapter 1.3*. When the **M1028 CafeBook** is OFF, a depleted Li-Ion battery will take three hours to recharge.

2.3 Questions And Answers

Q: I can feel a mild heat next to the battery pack. Is it normal?

A: The battery will generate heat during recharging and discharging. There is a protection circuit inside the **M1028 CafeBook** to prevent overheating. User needs not to worry.

Q: My battery operation time is not as long as it should be. Why?

A: The battery is heat sensitive and can only be charged to its maximum if the battery and its environmental temperature remain within 15-25°C (59-77°F). The more the temperature deviates from this range during recharging, the less chance there is for the battery to be fully charged. In order to recharge the pack to its full capacity, users are requested to cool down the unit by unplugging the AC Adapter. Wait until it is cooled down. Then plug in the AC Adapter to start recharging again.

Q: I did not use my spare battery for a few days. Even though it was fully recharged, there wasn't as much power left as a newly charged one. Why?

A: The batteries will self-discharge when they are not being recharged. To make sure a battery pack is fully charged, recharge before use. Always keep the battery inside the **M1028 CafeBook** and have the AC adapter connected whenever possible.

Q: I did not use my spare battery for months. I have problem in recharging it.

A: If you happen to leave your battery pack to go through an extended period of self-discharge, say more than three months, the battery voltage level will become too low and needs to be **Pre-Charged** (to bring the battery voltage level high enough) before it automatically (for Li-Ion only) resumes its normal **Fast Charge**. **Pre-Charge** may take 30 minutes. **Fast Charge** usually takes 2~3 hours.

2.4 Battery Maintenance

To maintain the battery pack's maximum capacity, you should occasionally let the **M1028 CafeBook** deplete its battery power completely before recharging.

To carry out a complete depletion of the battery, disconnect the AC adapter and let your **M1028 CafeBook** consume the remaining battery power. To speed up the depletion, use the HDD as much as possible. When the battery is empty, wait for the **M1028 CafeBook** to cool down (especially the battery). The temperature should be within 15-25°C (59-77°F). Then insert the AC adapter to recharge the battery.

2.5 Power Consumption

The **Windows™** operating system has incorporated the latest state-of-the-art **ACPI (Advanced Configuration Power Interface)** power management methodology. In order to fully utilize the power of your battery packs, it would be a good idea for you to spend sometime to acquire a basic understanding of the power management concept from your operating system.

In **Windows™ Operating Systems**, you can go through **Power Options** of the **Control Panel** according to the version of **Windows™ Operating System** the **M1028 CafeBook** applies. We shall not describe them in details.

2.6 Reducing Power Consumption

Although your **M1028 CafeBook** (together with the operating system) is capable of power conservation, there are measures you can take to reduce the power consumption:

- *Use the AC power whenever possible.
- *Try to use the HDD drive to read and write files, instead of using the external USB FDD.
- *Disable unused devices, such as Web Cam, WLAN, Bluetooth®, and etc.
- *Decrease LCD panel brightness through Windows.

Note: Whenever system is powered on or powered off, make sure the battery pack is installed in the battery pack compartment.

2.7 Removing The Battery Pack

This battery pack can easily be removed and replaced. Make sure that the computer is properly shutdown before changing the battery pack. If you would like to change the battery pack while power is on, make sure this battery pack is not the only electrical source to the system unit. Follow the steps below to remove the battery pack.

- *Make sure the system is properly shutdown.
- *Flip the system upside down as shown.
- *Push the battery lock to the unlock position as shown by **#1**.
- *Push the battery latch to the unlock position as shown by **#2**.
- *Remove the battery pack as shown by **#3**.

To insert the battery pack, reverse the steps above.

Connecting System To AC Adapter

- *Connect **AC adapter** to system unit as shown by **#1**.
- *Connect **AC power cord** to **AC adapter** as shown by **#2**.
- *Connect other end of **power cord** to an electrical outlet as shown by **#3**.

Chapter 3 The BIOS Setup program

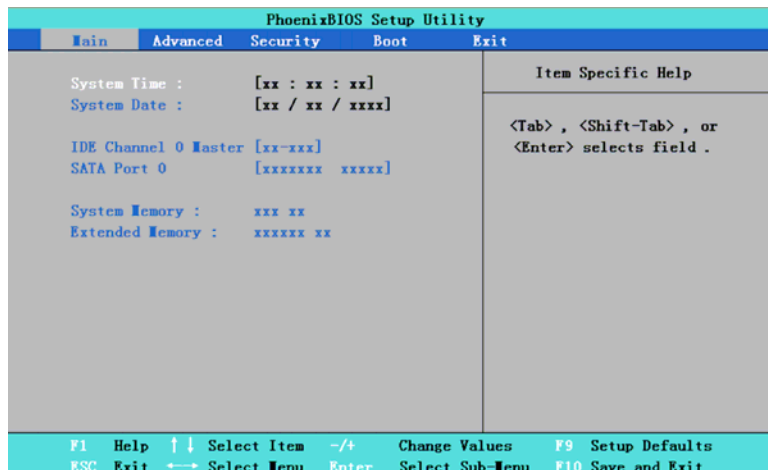
The BIOS Setup Utility is a hardware configuration program built into your M1028 CafeBook's BIOS (basic input/output system). Your M1028 CafeBook is already properly configured and optimized, and you do not need to run this utility. However, if you encounter configuration problems, you may need to run it.

This chapter will introduce:

- *Activate the BIOS Setup Utility
- *Security
- *Setup Boot priority order
- *Recover original setting

3.1 Activate the BIOS Setup Utility

To activate the BIOS Setup Utility, press F2 during POST.



The setup utility menu bar has six main screens. Following is general introduction on these six items:

Menu	Description
Main	The Main screen displays a summary of your M1028 CafeBook hardware information, and also includes basic setup parameters.
Advanced	This screen contains parameters involving your hardware devices.
Security	The Security screen contains parameters that help safeguard and protect your M1028 CafeBook from unauthorized use.
Boot	To set the order of booting equipments, enabling or disabling equipments.
Exit	To exit the interface of setting system.

Tips: For more information about Menu and Keys, please refer to the help information of respective selection. There may be difference of BIOS setting between different versions of

BIOS of different batch of M1028 CafeBook produced.

Notice: The BIOS of your M1028 CafeBook has been initialized to best settings. It's advised you not to change it if not so necessary.

Tips: The pictures showed at this chapter may be different from those showed by your M1028 CafeBook due to different versions of BIOS. Please set pictures of your M1028 CafeBook as standard.

System Time

Allows you to change the system time using the hour:minute:second format of your M1028 CafeBook computer.

Enter the current time for reach field and use the <Tab>, <Shift>+<Tab>, or <Enter> key to move from one field or back to another.

You can also change the system time from your operating system.

System Date

Allows you to set the system date using the month/date/year format.

Enter the current time for each field and use the <Tab>, <Shift>+<Tab>, or <Enter> key to move from one field or back to another.

You can also change the system time from your operating system.

System BIOS Version

Display the BIOS version.

IDE Channel 0 Master

This field displays various parameters for the hard disk drive.

SATA Port 1

This field is for information only as the BIOS automatically detects the SATA Hard disk drive information.

System Memory

This field reports the amount of base (or conventional) memory found by the BIOS during Power-On Self-Test (POST).

Extended Memory

This field reports the amount of extended memory

Phoenix BIOS Setup Utility					
Main	Advanced	Security	Boot	Exit	
Primary Master	[IC25N060ATMR04-0-(PM)]			Item Specific Help	
Type:	LBA Format	[Auto]		User = you enter parameters of hard-disk drive installed at this connection. Auto = autotypes hard-disk drive installed here. CD-ROM = a CD-ROM drive is installed here. ATAPI Removable = Removable disk drive is installed here.	
Total Sectors:		312581808			
Maximum Capacity		160GB SATA1			
Multi-Sector Transfers:		[16 Sectors]			
LBA Mode Control:		[Enabled]			
32 Bit I/O:		[Disabled]			
Transfer Mode:		[FPIO 4 / DMA 2]			
Ultra DMA Mode:		[Mode 5]			
F1 Help ↑↓ Select Item -/+ Change Values F9 Setup Defaults					
Esc Exit ←→ Select Menu Enter Select F10 Save and Exit					
→ Sub-Menu					

Use the Type field to select the drive type installed. You can select different drive types as **CD-ROM**, **User**, **Auto**, **ATAPI Removable**, **IDE Removable**, **Other ATAPI** or **None** by pressing <Space> bar. Set this option to Auto so your M1028 CafeBook computer will automatically detect the drive type during power on. Set this option to None when your M1028 CafeBook computer is not installed any devices.

Press <Esc> to return to the Main Menu.

QuickBoot Mode

Allows the system to skip certain tests while booting. This will decrease the time needed to boot the system.

Extended Memory Testing

Determines which type of tests will be performed on extended memory (above 1M).

IGD – LCD Panel Type

Select the LCD Panel used by the Internal Graphics Device by selecting the appropriate setup item.

Keyboard Language

Set propriety language for your keyboard.

Root Port ASPM Support

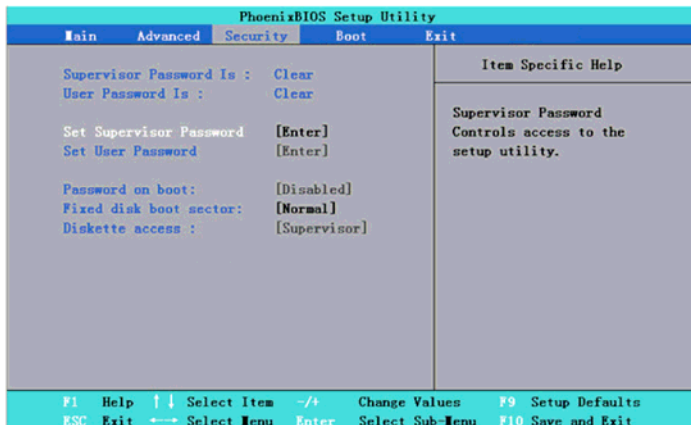
Control ASPM support for all the enabled Root Ports. Auto = will set APMC to the highest common supported ASPM between the Port and Endpoint.

ASPM Latency Checking

Enabled: Enables ASPM latency checking when enabling ASPM. Note: Does not check below switches. Disabled: ASPM latencies are ignored when enabling ASPM.

3.3 Security

The Security screen contains parameters that help safeguard and protect your M1028 CafeBook from unauthorized use.



Supervisor Password Is

Shows that your M1028 CafeBook computer is under controlled by Supervisor Password or not.

User Password Is

Shows that your M1028 CafeBook computer is under controlled by User Password or not.

Set Supervisor Password

With this setting, only authorized user can enter the system. Follow the below to set:

Select menu **Security**.

Select **“Set Supervisor Password”** and then press **“Enter”**.

Input the desired password twice.

When the box of **Setup Notice** shows password information, press **“Enter”**

Set User Password

It's always the same to set user password as that of supervisor password. But the former can only enter OS, not BIOS Setup.

Password on Boot

This setting is to select whether password of supervisor and/or user is needed when booting.

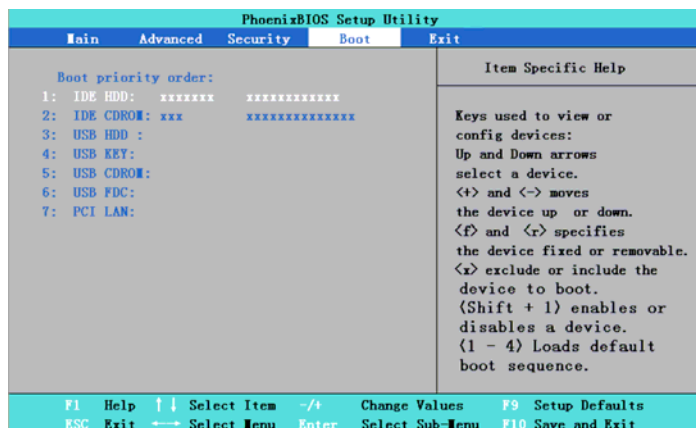
Fixed disk boot sector

This setting is to select whether to have Write Protect on hard disk boot sector to anti virus or not.

Notice: Do not lose the password of your system. In the event of this, you should have to refer to GIGABYTE service center.

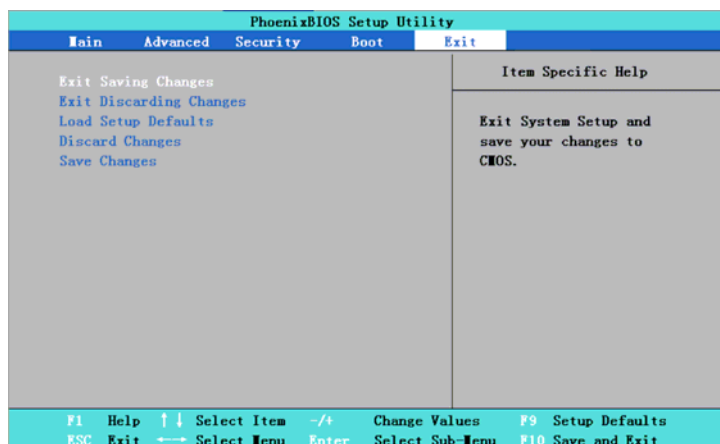
3.4 Set Boot priority order

With this setting, you can set the order of booting the hardware of M1028 CafeBook.



To select the boot device, you can use the up or down arrow key, then press <+> to move up the device in the list or press <-> to move down the device in the list. To exit from this menu, press <Esc>.

3.5 How to Exit the Setup Program



Exit Saving Changes:

Save the settings by user and exit the BIOS setting menu.

Exit Discarding Changes:

Not save the settings by user and exit the BIOS setting menu.

Load Setup Defaults :

Recovery all the default setting by manufacturer.

.....

Tips: If you change the BIOS settings and can not return to original settings, you can return to original settings by “ Load Setup Defaults”.

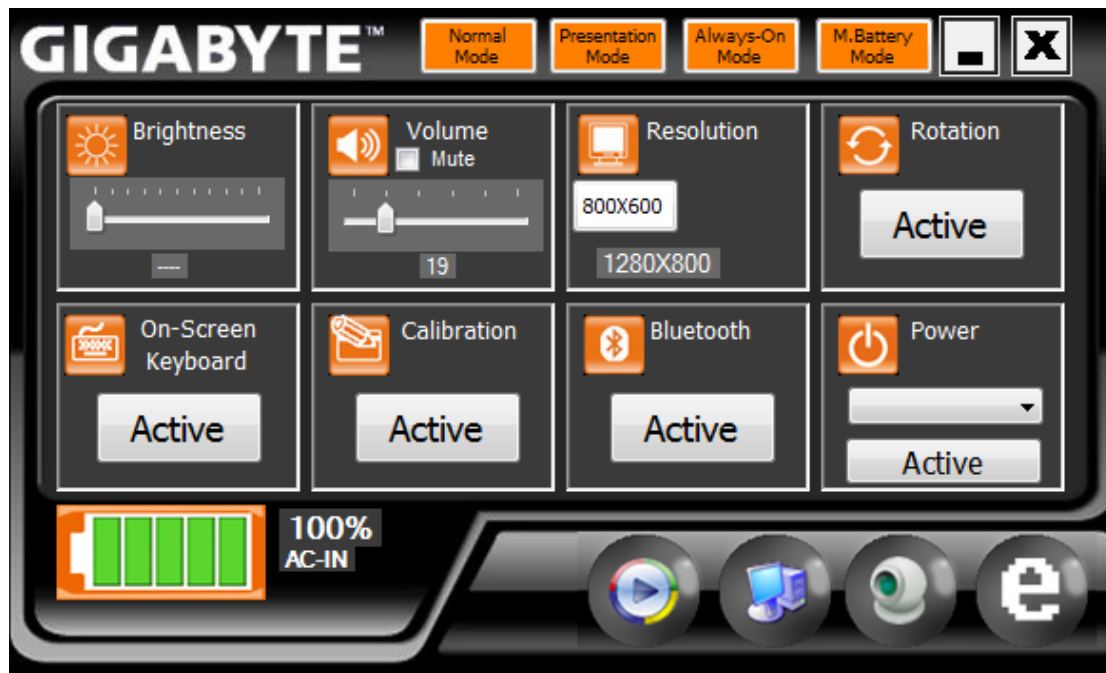
Discard Changes:

User can discard current settings and return to last settings.

Save Changes:

User can save the settings but will not exit the BIOS setting menu

Chapter 4 Introduction to Smart Manager:



Brightness:

Move the slider to temporarily adjust the brightness of your display. To adjust the display brightness settings for your power plan, click the icon on the **title** to open Power Option in Control Panel.

Volume:

Move the slider to adjust the speaker volume of your Netbook or select the Mute check box.

Resolution:

Click on the icon to change the resolution. There are two specs in the M912 series.

a)1024X600 panel :: 800X600, 1024X600

b)1280X768 panel :: 800X600,1280X768

Rotation:

This function only **supports 2 rotation styles.**

1. Normal mode: 0 degree

2. Vertical mode: 90 degree

Click on the Active icon to rotate your display.

On-Screen Keyboard:

To Active the keyboard.

Click on the Active button will detect the On-Screen Keyboard status.

Calibration:

Click on this button to active the Penmount Calibration utility(4 ways calibration)

Bluetooth:

Click on the icon to active the Bluetooth sync-**center.**

Power:

Click on this button to call the computer power sequence. (**Suspend, Hibernate, Power off, Restart**)

Battery Status:

AC-IN / Battery Life time:

a)If the AC power adapter plug-in, the icon will show 'AC-IN', and if unplug the AC power adapter, the icon will show the battery life and counting the battery life time.

Media Q-button:

Press this button to call the default media player

Computer O-button:

Press this button to call the My computer function.

WebCAM O-button:

Press this button to call the E-CAM webcam pre-view utility.

E O-button:

Press this button to call the Microsoft Internet Browser.

Normal Mode:

Press this icon to active the Netbook power plan and set the brightness to middle high level
“60%”

Presentation Mode:

Press this icon to active the Presentation power plan and set the brightness to middle level
“44%”.

Always-on Mode:

Press this icon to active the Always-on power plan and set the brightness to high level
“100%”.

Max-Battery Mode:

Press this icon to active the Max-battery power plan and set the brightness to low level
“20%”.

Chapter 5 Troubleshooting / Q&A

This chapter contains advice and solutions to a few basic troubles you might encounter when you use M1028 CafeBook. Please refer to this chapter and follow the instructions to solve troubles.

5.1 Troubleshooting

Warning: *Under the condition that you can't handle trouble, please refer to your dealer to get professional service.*

AC Adapter

Trouble	Solution
No power supplies to M1028 CafeBook	Make sure the AC adapter is well connected to the power source and M1028 CafeBook.
	Check the cable and plug to make sure they are OK. If they are broken, please contact your local dealer ASAP.

Battery pack

Trouble	Solution
No power supplies to M1028 CafeBook	The remaining power in battery pack may be not enough to power on the machine. Connect AC Adapter to recharge it.
Can't be recharged after connecting AC Adapter	Check temperature of battery pack's surface. Battery pack can't be recharged if its temperature is too high or too low. Recharged it after its temperature is the same with the normal environment one.
	If battery pack is fully discharged, it won't be recharged at once. Please wait for some minutes.
	If the power indicators of battery pack are always not lit up, its life may be over. Please contact your dealer to buy another one.
Battery life is not as long as it should be	Battery life depends on using condition of M1028 CafeBook. You can change the settings in Power Manager of OS to save power.
	Battery pack cant exert its full capacity if it works when not fully recharged frequently. Power M1028 CafeBook by battery pack until its power drops to a critically low level and the machine emits a high-pitched beep or displays a warning message; after that, recharge battery pack to make battery pack work longer.

Warning: Please pay attention for below information regarding to Battery pack:

1. 請務必將廢棄電池進行回收,
2. 嚴禁將電池存放靠近高熱的地方或是靠近火源/丟進燃燒的火堆中. 這將造成電池爆炸之危險.
3. 嚴禁私自組裝/拆解/改裝電池.
4. 請使用原廠所提供之電池組, 非原廠電池將可能對機器本身造成損壞.

Keyboard

Trouble	Solution
Press character keys but number displayed instead of character	Check if Num Lock is activated.
Confusing display	Make sure there is not certain software to configure to the keyboard.

Warning: Please pay attention for below information about the keyboard maintain.

1. 鍵盤長時間使用均容易造成灰塵累積. 此時建議使用小毛刷清潔鍵盤. 請關機清潔鍵盤表面, 並使用軟布沾上少許清潔劑或水輕輕擦拭即可
2. 當鍵盤不慎侵入任何液體時, 請立即關閉電源, 移除電池, 並請直接與原廠聯繫進行維修. 嚴禁自行拆解鍵盤進行維修.

Hard disc drive (HDD)

Trouble	Solution
HDD can't be booted	Operating system was corrupted by incorrect operating or virus. Try to clean virus and then configure your operating system correctly.
	The documents of your OS maybe run in error, please refer to the manual of your OS.
HDD performs very slowly	There is too much file fragment. Use disk defrag tools to rearrange the programs on the hard disk.

Warning: Please pay attention for below information about the Hard Drive maintain.

1. 硬碟屬於高速資料儲存裝置, 盡量避免在容易在容易晃動的地方使用 **Cafebook**, 以避免硬碟損壞造成資料流失
2. 請依造正常開關機程序使用電腦, 不當開關機容易降低硬碟壽命

LCD

Trouble	Solution
The screen is blank	Press hot key Fn + F5 to change the display mode if certain external monitor is connected.
	Make sure the system isn't in the mode of Hibernation or Standby.

WARNING: Please pay attention for below matters at mounting design of touch panel of LCD module.

1. Do not put a heavy force along the edge of active area
2. Do not put a heavy shock or stress on the touch panel and film surface.
3. Do not put heavy goods on the touch panel.
4. LCD觸控式液晶螢幕屬於Cafebook裡面最脆弱的零組件，容易因為受到外力而破裂，請勿放置任何物品於鍵盤上及螢幕之間，以避免造成液晶螢幕之損傷。
5. 攜帶技嘉M1028 Cafebook外出時，請放置於專用攜行袋中並僅可能排列整齊，過多物品擺設容易造成機器本體擠壓而造成液晶螢幕損傷。
6. 嚴禁使用尖銳的物品或直接使用手指頭碰觸螢幕。
7. 建議使用螢幕專用擦拭布清潔液晶螢幕，請輕輕擦拭，避免用力過度造成螢幕破裂。
8. 液晶螢幕嚴禁使用任何液體侵入。否則將造成液晶螢幕之元件損壞。

Printer

Trouble	Solution
The data can't be output from M1028 CafeBook to printer	Make sure printer is powered on.
	Make sure its cable is OK and its USB interface is well connected to M1028 CafeBook.
	Make sure your printer is compatible to your M1028 CafeBook.
Error printing	Please refer to the user's manual of your printer for help.

Audio

Trouble	Solution
No sound emitted	Adjust sound controller.
	Check the setting of sound volume of software.
	Check if the ear phone is firmly connected.
	Check the Devices Manager of Windows. Be sure the Sound function has been activated and isn't interfered with other hardware.

USB

Trouble	Solution
Equipments connected can't work	Check and be sure USB port of M1028 CafeBook is firmly connected with the USB cord of the equipment.
	Be sure the driver of the equipment is installed correctly.

Stand by / Hibernation

Trouble	Solution
Can't enter into Standby /Hibernation	Please check if the Windows Media Player is running. If Yes, the M1028 CafeBook can't enter into Standby or Hibernation mode. Please close Windows Media Player.

LAN

Trouble	Solution
Can't be connected	Be sure the RJ45 connector is firmly connected to the Network Hub or Switch.
Can't be booted	Check the configuration of hardware in BIOS Setup Utility and activate the function of LAN Waken.

5.2 Q&A

Q: My computer switches to hibernation mode much too quickly, and I have to constantly hit a key or move the mouse to bring back the screen. What can I do?

A: This is part of Windows Power Management. Access Power Management by clicking on Start / Control Panel / Performance and Maintenance / Power Options, and change the time next to the "Turn off monitor" option to the time you want. You have the choice of either adjusting time for the power supply or for the battery.

Q: I've heard that cleaning and rearranging files on the hard drive will improve program's launch speed, how do I do that?

A: Good disk maintenances can improve program launch speed. This normally includes deleting unnecessary files, and defragmenting hard disk so that files can be more efficiently grouped. Windows contains maintenance utilities for these tasks; run Disk Cleanup to remove unnecessary files, and Disk Defragmenter to defragment fragmented file blocks. For more information about these utilities, please refer to your Windows documentation.

Q: What kind of external microphone can I use with my notebook computer?

A: You will need to use a self-amplifying microphone.

Q: There are echoes coming from my speakers. What can I do?

A: Double click on the Speaker icon on the task bar. Then, under Microphone Balance, check the Mute box.

Q: Because of a software problem, I was unable to shut the computer down from Windows, I pressed the power button to power off the computer, but it didn't work. How can I force a power off?

A: Make sure you press the power button for at least 4 seconds. Normally, this will force the computer to shut off.

Q: Why can't I charge the battery of my portable computer after it was out of use for some time?

A: After your portable computer has not been used for a long time (say:more than one month), the battery will enter into low voltage protection mode. Under this circumstance, restoring to normal voltage will require the battery to be slowly charged for several hours. Once the battery has been fully charged, your computer will resume to normal operation.

Q: My computer says: "CMOS Battery Low", what should I do?

A: If your computer is without power (i.e. unplug the computer power source from the power outlet and remove the battery pack from it) for over 45 days, you would lose the information stored in CMOS.

Please follow the steps below to reconfigure your CMOS settings:

1. Press F2 to enter into the BIOS setup utility.
2. Select "Load Optional Defaults?". When you see the following prompt, choose <OK> and then press <Enter>.
3. Select "Save Changes and Exit", select <OK> and press <Enter> to restart your computer.

Q: How to unplug or eject devices

A:

1. In the notification area next to your task bar, double-click the Safe Removal icon. Safe Removal displays a list of Plug and Play devices that support safe removal and that are currently attached to the system.

If you do not see the Safe Removal icon, your device does not support safe removal, and you cannot unplug or eject your device using Safe Removal.

2. In Safely Remove Hardware, in the list of devices, select the device that you want to unplug or eject, and then click Stop. This tells the system that you will be unplugging or ejecting the device.
3. In Stop a Hardware device, click OK.

A notification appears stating that it is now safe to unplug or eject the device.

Caution

Unplugging or ejecting a device that supports safe removal without first using the Safe Removal application to warn the system can cause data to be lost or your system to become unstable. For example, if you use Safe Removal, however, you can warn the system before you unplug or eject a device, preventing possible loss of data.

Note

For removable storage devices that can safely be removed while the system is on, the system disables write caching by default. It does this so the devices can be removed without loss of data. When write caching is disabled, however, the system will likely experience slower performance, so be sure to enable write caching when you have finished removing the device.

Appendix I Specification

Processor

Intel® Atom 1.6GHz N270

OS

Microsoft Windows XP compliance / Linux/ VISTA

Core Logic

Intel® 945GSE

I

Memory

DDRII-533 SO-DIMM X 1, Max 2 GB

For the compatible HDDs & RAMs by model, please refer to GIGABYTE AVL List

Video Interface

Intel® 945GSE

Display

8.9”LCD panel/WXGA 1280x768, w/Touch screen, as 180° rotation angle

8.9”LCD panel/WSVGA 1024x600, w/Touch screen, as 180° rotation angle (Optional)

Hard Disk Drive

2.5” ,9.5mm S-ATA HDD 120/160/250GB

Optical Drive

External ODD by USB connection

Input Device

80 key keyboard/Touch Pad

I/O Port

USB X 3, Mic in/Earphone out/D-SUB

RJ45 / SD/MMC/MS Card Reader / Express card

Audio

Speaker 1.5 watt x 2

Bluetooth

BlueTooth 2.1 built-in

Web Camera

1.3M pixel CMOS camera

LAN/Wierless LAN

802.11b/g by mini-card

Keyboard

80 key keyboard

Protection

Kensington lock

Battery

Li-ion 4500mAh, Battery (Standard)

Li-ion 7650mAh, Battery (Optional)

Dimension &Weight

235 x 180 x 28~42mm

1.3kg

Service

1 year global warranty

1 year battery warranty

More service information, please refer to

<http://www.gigabyte.com.tw>

.....

Tips: The above specification is for users' reference. The final configuration depends on the M1028 CafeBook users bought.

Appendix II Recovery Update Notices

How to restore your Netbook to factory defaults

Time to restore: When your computer is infected by virus or there is any other reason that you want to restore your operation system to the factory defaults.

Execute Xpress Recovery3 Lite (XR3 Lite) Professional Recovery Utility. Please take the following procedures:

1. Start up your computer first. Restart your computer if it has already booted into system.
2. Right after you see the startup screen (such as trademark, logo or text), the DOS screen will appear. Press F9.
 - F9 is a typical hotkey to restore professional settings. Please consult with your computer manufacture if your hotkey doesn't function.
3. There are four options on the menu: "RESTORE" (to restore data), "ABOUT" (to display XR3 software related information) and "REBOOT" (to cancel the recovery and restart the computer).

We recommend you to select "RESTORE" to restore factory defaults



4. Then the prompt "Restore Image?" will appear on the menu. We recommend you to select "YES" to restore an image file.* "Image file" is a compressed file that compresses all the Windows operation system data. Recovery an image file allows you to restore your operation system to factory defaults.



5. After all the selections have been made, the screen shows "RESTORE NOW...", indicating your computer is now recovering the operation system data. When the recovery is complete, the computer will automatically restart and restore to factory defaults.



FEDERAL COMMUNICATIONS COMMISSION INTERFERENCE STATEMENT

This equipment has been tested and found to comply with the limits for a Class B digital device, pursuant to Part 15 of the FCC Rules. These limits are designed to provide reasonable protection against harmful interference in a residential installation. This equipment generates, uses and can radiate radio frequency energy and, if not installed and used in accordance with the instructions, may cause harmful interference to radio communications. However, there is no guarantee that interference will not occur in a particular installation. If this equipment does cause harmful interference to radio or television reception, which can be determined by turning the equipment off and on, the user is encouraged to try to correct the interference by one or more of the following measures:

- Reorient or relocate the receiving antenna.
- Increase the separation between the equipment and receiver.
- Connect the equipment into an outlet on a circuit different from that to which the receiver is connected.
- Consult the dealer or an experienced radio/TV technician for help.

CAUTION:

Any changes or modifications not expressly approved by the party responsible for compliance could void the user's authority to operate the equipment.

This device complies with Part 15 of the FCC Rules. Operation is subject to the following two conditions:

- (1) This device may not cause harmful interference and
- (2) This device must accept any interference received, including interference that may cause undesired operation.

FCC RF Radiation Exposure Statement

This equipment complies with FCC RF radiation exposure limits set forth for an uncontrolled environment.

This equipment must not be co-located or operating in conjunction with any other antenna or transmitter.

Max. SAR Measurement (1g)

802.11 b/g/n: 0.323W/kg