

User's Manual

FCC ID: VQ7NM03-B-PR-F

Model No.:NM03-B/PR-F

Manufacturer's name: TOPPAN TDK LABEL CO.,LTD.

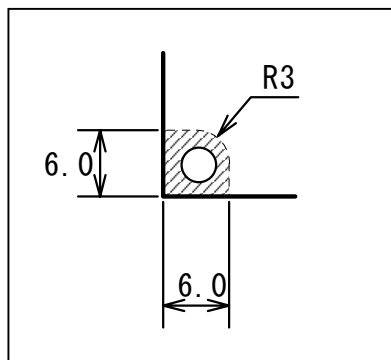
Precautions of use

Before using the reader/writer and card, read the following precautions. Be sure to adhere to the precautions to avoid malfunctions and failures caused by misuse. Note that we shall bear no responsibilities for collateral damages to the stored data caused by faults, malfunctions or failures of the reader/writer.

Changes or modifications not expressly approved by the manufacturer for compliance could void the user's authority to operate the equipment.

1. Installation in an enclosure

Adhere to the following mounting dimensions when installing the board in an enclosure. Only the diagonally shaded area around the mounting hole may be metal.



2. Care should be taken when modifying the card attributes and key settings

When modifying the card attributes and key settings, the card must be in the reader/writer's communication range. If the special data area is compromised due to insufficient power supply, access to the card will become infeasible thereafter.

3. Avoid using the reader/writer in the presence of strong electromagnetic waves

The reader/writer supplies power to the card via an electromagnetic wave to communicate with the card. Presence of strong electromagnetic waves (especially waves with frequencies around 13.56 MHz) in the proximity of the reader/writer or card will affect communication between the reader/writer and card, causing reduced access area or inability to access the card. Similarly, if the switching frequencies (and its harmonics) of a switching mode power supply, or its backup switch-mode UPS/CVCF are around 13.56 MHz, switching noises will affect the reader/writer via wiring; be sure to test the reader/writer using the actual power source in the installation location environment before use.

4. Keep precision devices that may be affected by electromagnetic waves away from the reader/writer

Since the reader/writer constantly emits an electromagnetic wave (of around 13.56 MHz), placing precision devices that may be affected by electromagnetic waves near the reader/writer can cause malfunction or failure of the devices. When operating the reader/writer, keep precision devices away from the reader/writer. If such precision devices must be located near the reader/writer, shield the precision devices with a metal cover and be sure to test the devices to check for any influence.

5. Avoid using multiple readers in proximity to each other

The reader supplies power to the card via an electromagnetic wave to communicate with the card and thus constantly emits an electromagnetic wave (of around 13.56 MHz).

Using multiple readers in proximity to each other will cause interference, interrupt communication between the card and reader, and prevent access to the card.

The readers must be apart from each other by at least 30 cm in every direction.

Others

- Use the reader/writer as a general-purpose communication tool (for terminals) such as OA devices.
- Use the reader/writer in a place unaffected by organic solvents, oils or water.
- Use the reader/writer in a place free of corrosive gases, toxic gases, or flammable gases.

FCC Statements

This device complies with Part 15 of FCC Rules. Operation is subject to the following two conditions: (1) this device may not cause harmful interference, and (2) this device must accept any interference received, including interference that may cause undesired operation.

The following sentence has to be displayed on the outside of the device in which the transmitter module is installed:

“Contains FCC ID:VQ7NM03-B-PR-F”