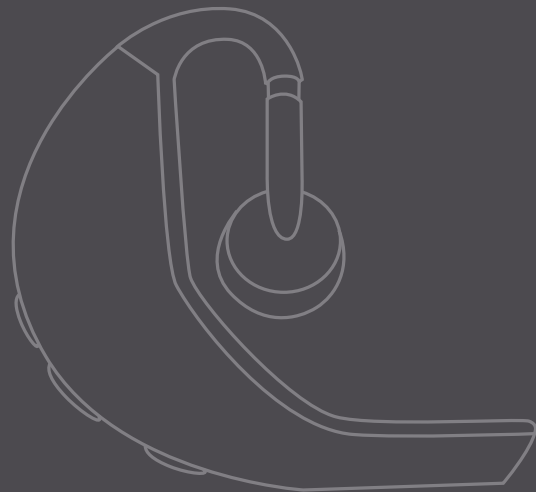


© 2006 Jabra GN Netcom A/S. All rights reserved. Jabra® is a registered trademark of GN Netcom A/S. All other trademarks included herein are the property of their respective owners. The Bluetooth® word mark and logos are owned by the Bluetooth SIG, Inc. and any use of such marks by GN Netcom A/S is under license. (Design and specifications subject to change without notice).



# Jabra BT 5020



[www.jabra.com](http://www.jabra.com)

Made in China



## TOLL FREE Customer Contact Details:

### Phone Numbers:

Belgique/Belgie	00800 722 52272
Danmark	702 52272
Deutschland	0800 1826756
Die Schweiz	00800 722 52272
España	900 984572
France	0800 900325
Italia	800 786532
Luxembourg	00800 722 52272
Nederland	0800 0223039
Norge	800 61272
Österreich	00800 722 52272
Portugal	00800 722 52272
Suomi	00800 722 52272
Sverige	020792522
United Kingdom	0800 0327026
International	00800 722 52272

### Email Addresses:

Deutsch	<a href="mailto:support.de@jabra.com">support.de@jabra.com</a>
English	<a href="mailto:support.uk@jabra.com">support.uk@jabra.com</a>
Français	<a href="mailto:support.fr@jabra.com">support.fr@jabra.com</a>
Italiano	<a href="mailto:support.it@jabra.com">support.it@jabra.com</a>
Nederlands	<a href="mailto:support.nl@jabra.com">support.nl@jabra.com</a>
Español	<a href="mailto:support.es@jabra.com">support.es@jabra.com</a>
Scandinavian	<a href="mailto:support.no@jabra.com">support.no@jabra.com</a>

RELEASE YOUR JABRA

**Jabra**

Bluetooth® headset

User manual

**Jabra**

[www.jabra.com](http://www.jabra.com)

Fig. 1

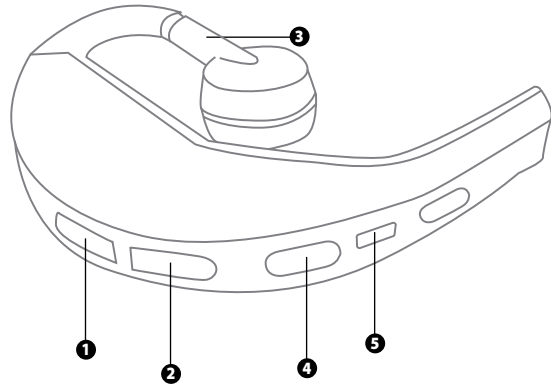


Fig. 2

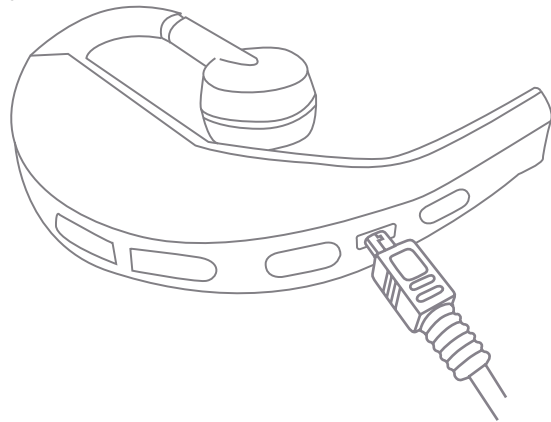


Fig. 3

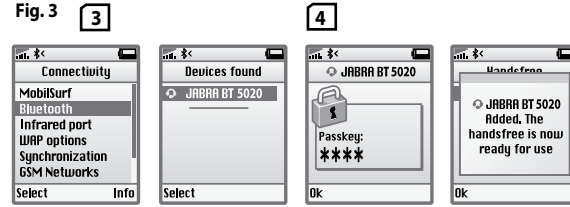
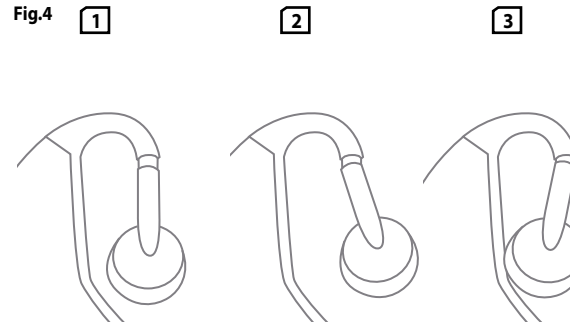


Fig. 4



# Jabra

## BT 5020

English (GB)

---

Français (F)

---

Español (ES)

---

Português (PT)

---

Deutsch (DE)

---

Italiano (IT)

---

Nederlands (NL)

---

Suomi (SU)

---

Norsk (NO)

---

Svenska (SE)

---

Dansk (DK)

---

Ελληνικά (GR)

---

# English

1. Thank you .....	4	F
2. About your Jabra BT5020.....	5	ES
3. What your new headset can do .....	5	PT
4. Getting started.....	6	DE
5. Wear it how you like it.....	7	IT
6. How to.....	7	NL
7. Battery Indicator .....	8	SU
8. What the lights mean .....	8	NO
9. Using the Jabra BT 5020 with 2 mobile phones.....	9	SE
10. Using a Jabra Bluetooth Hub.....	9	DK
11. Using a Jabra Bluetooth adaptor.....	9	GR
12. Troubleshooting & FAQ .....	10	
13. Need more help?.....	10	
14. Taking care of your headset .....	10	
15. Warranty.....	11	
16. Certification and safety approvals.....	11	
17. Glossary .....	12	

## **GB** 1. Thank you

**F** Thank you for purchasing the Jabra BT5020 Bluetooth Headset. We hope you enjoy it! This instruction manual will get you started and ready to make the most of your headset

### **ES** WARNING!

**PT** Headsets are capable of delivering sounds at loud volumes and high pitched tones.

**DE** Exposure to such sounds can result in permanent hearing loss damage. The volume level may vary based on conditions such as the phone you are using, its reception and volume settings, and the environment. Please read the safety guidelines below prior to using this headset.

### **IT** Safety guidelines

#### **SU** 1. Before using this product follow these steps:

- before putting on the headset, turn the volume control to its lowest level,
- put the headset on, and then
- slowly adjust the volume control to a comfortable level.

#### **SE** 2. During the use of this product

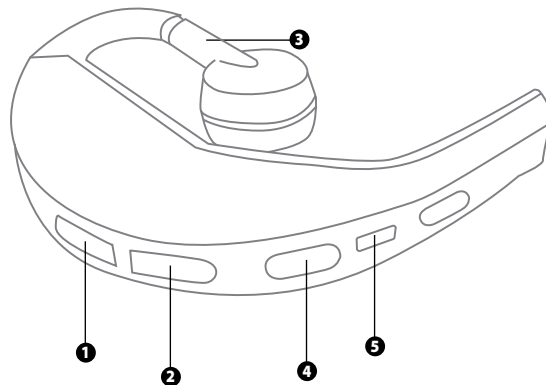
- **DK** Keep the volume at the lowest level possible and avoid using the headset in noisy environments where you may be inclined to turn up the volume;
- **GR** If increased volume is necessary, adjust the volume control slowly; and
- If you experience discomfort or ringing in your ears, immediately discontinue using the headset and consult a physician.

With continued use at high volume, your ears may become accustomed to the sound level, which may result in permanent damage to your hearing without any noticeable discomfort.

Using the headset while operating a motor vehicle, motorcycle, watercraft or bicycle may be dangerous, and is illegal in some jurisdictions. Check your local laws. Use caution while using your headset when you are engaging in any activity that requires your full attention. While engaging in any such activity, removing the headset from your ear area or turning off your headset will keep you from being distracted, so as to avoid accident or injury.

## **GB** 2. About your Jabra BT5020

- F** ❶ Volume down
- ES** ❷ Volume up
- PT** ❸ Adjustable earhook
- DE** ❹ Light indicator (LED) Answer/end button
- IT** ❺ Charging socket



## **GB** 3. What your new headset can do

### **Your Jabra BT5020 lets you do all this:**

- Answer calls
- End calls
- Reject calls
- Voice Dialling (phone dependent)
- Last number redialling
- Call waiting
- Put call on hold
- Mute
- Enable/Disable vibrator

## GB Specifications:

- Talk time up to 10 hours/standby time up to 300 hours
- Rechargeable battery with charging option from AC power supply, PC via USB cable or car charger (not included)
- Weight 20 grams
- Battery indicator
- Operating range up to 33 feet (approx. 10 meters)
- Headset and hands-free Bluetooth profiles
- Bluetooth specification (see glossary) version 2.0

## 4. Getting started

The Jabra BT5020 is easy to operate. The answer/end button on the headset performs the different functions depending on how long you press it.

Instruction:	Duration of press
Tap	Press briefly
Double Tab	2 quickly repeated Taps
Press	Approx: 1 second
Press and hold	Approx: 1-2 seconds

### 1) Charge your headset

Make sure that your Jabra BT5020 headset is fully charged before you start using it. Use the AC adaptor to charge from a power socket, or charge directly from your PC with the USB cable provided. Connect your headset as shown in fig. x. When the LED is solid red, your headset is charging. When the LED is green, it is fully charged.

### 2) Turning your headset on and off

- **Press** the on/off/pairing button to turn on your headset. The LED will show a green flash when the headset is on.
- **Press and hold** the on/off/pairing button to turn off your headset. The LED will turn red when headset is off.

### 3) Pair it with your phone

**Before you use your Jabra BT5020, you need to pair it with your mobile phone. (Follow step 1-4 in fig 3).**

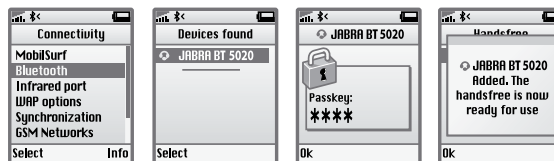
#### A. Put the headset in pairing mode

- Make sure the headset is off.
- **Press and hold** the answer/end button until a solid blue light comes on.

#### B. Set your Bluetooth phone to 'discover' the Jabra BT5020

Follow your phone's instruction guide. This usually involves going to a 'setup,' 'connect' or 'Bluetooth' menu **on your phone** and selecting the

option to 'discover' or 'add' a Bluetooth device.\* (*See example from a typical mobile phone in fig. 3*)



#### C. Your phone will find the Jabra BT5020

Your phone then asks if you want to pair with it. Accept by pressing 'Yes' or 'OK' on the phone and confirm with the passkey or PIN = 0000 (4 zeros).

Your phone will confirm when pairing is complete. In case of unsuccessful pairing, repeat steps 1 to 3.

## 5. Wear it how you like it

The Jabra BT5020 is ready to wear on your right ear. If you prefer the left, gently rotate the ear piece to fit left ear. See fig. X.

**For optimal performance, wear the Jabra BT 5020 and your mobile phone on the same side of your body or within line of sight. In general, you will get better performance when there are no obstructions between your headset and your mobile phone.**

## 6. How to...

### Answer a call

- Tap the answer/end button on your headset to answer a call.

### End a call

- Tap the answer/end button to end an active call.

### Make a call

- When you make a call from your mobile phone, the call will (subject to phone settings) automatically transfer to your headset. If your phone does not allow this feature, tap on the Jabra BT5020's answer/end button to transfer the call to the headset.

### Reject a call\*

- Press the answer/end button when the phone rings to reject an incoming call. Depending on your phone settings, the person who called you will either be forwarded to your voice mail or hear a busy signal.

### Activate voice dialling\*

- Press the answer/end button. For best results, record the voice-dialling tag through your headset. Please consult your phone's user manual for more information about using this feature.

**Redial last number\***

- Double Tap the answer/end button when the headset is on and not used.

**Adjust sound and volume**

- Press the volume up or down to adjust the volume. Show fig X. (Volume up button are per default on top of the headset when worn on the right ear).

**Mute an ongoing call**

- To mute an ongoing call, press both volume up and down at the same time low beep alert plays during a muted call.
- To un-mute tap either of the volume buttons

**Call waiting and placing a call on hold\***

This lets you put a call on hold during a conversation and answer a waiting call.

- **Press** the answer/end button once to put the active call on hold and answer the waiting call.
- **Press** the answer/end button to switch between the two calls.
- **Tap** the answer/end button to end the active conversation.

\* Functions marked with \* are dependent on your phone supporting these features. Check your phone's user manual for further information.

**7. Battery Indicator**

When the Jabra BT5020 is turned on or a button is pressed more than 1 minute after last button press, the LED indicator the battery level of the headset.

- 2 Green flashes = 20% - 100% Charged
- 2 Yellow flashes = 10% - 20% charged
- 2 Red flashes = Less than 10% charged

**8. What the lights mean**

What you see	What is the mean about your headset
2 coloured flashes	See Battery indicator (section 6)
Flashing blue and green light	Incoming call
Flashing blue light	Flashing every second: active call
Flashing blue light	Flashing every three seconds: in standby mode (only for 1 minute then off)
Flashing red light	Running low on battery
Solid green light	Fully charged
Solid red light	Charging
Solid blue light	In pairing mode – see section 3

**9. Using the Jabra BT 5020 with 2 mobile phones**

Jabra BT5020 is capable of having two mobile phones connected to the headset at the same time. This will give you the freedom of having only headset to operate both your mobile phones and the operation of the functions in the headset functions as described in section 5.

Only it must observed that Last Number Redial will dial the number from the last outgoing call, independent of the mobile phones, and the Voice Dialling function only will work on the last paired mobile phone.

**10. Using a Jabra Bluetooth Hub**

The Jabra BT5020 can used along with the Jabra Bluetooth Hub (sold separately). This will enable you to use the headset with both your mobile phone and your office phone.

**To pair the Jabra BT5020 with the Jabra Bluetooth Hub**

The pairing process is a little different:

- Put your Jabra BT5020 in pairing mode
- Put the Jabra Bluetooth Hub in pairing mode.
- Place them close together. You do not need a dedicated pin code to pair the two Jabra products. Consult the Jabra Bluetooth Hub user manual for more information on how to connect the Bluetooth hub to your office phone.

The use of the Jabra BT5020 with the Jabra Bluetooth Hub is very similar to using the headset with a mobile phone only. The only difference lies in the transfer of a call to the headset from the office phone.

**Transfer the call to the headset**

- Tap the answer/end button to transfer the call from the office phone to the headset via the Jabra Bluetooth Hub

The answering of a call from the office phone requires a hook lifter in order to have the Jabra BT5020 answer the call automatically.

**11. Using a Jabra Bluetooth adaptor**

If you want to use the Jabra BT5020 with a non-Bluetooth mobile phone, the Jabra A210 adaptor is the answer.

It gives you a cordless connection with the following headset feature: answer/end call, voice dial function (if supported by the phone) and mute. Rejecting a call, last number redial and putting a call on hold might not be supported through the headset jack in the mobile phone.

Jabra BT125 Bluetooth headset

**GB To pair the Jabra BT5020 with the Jabra A210**

The pairing process is a little different:

- Put your Jabra BT5020 in pairing mode
- Put the Jabra A210 adaptor in pairing mode
- Place them close together. You do not need a dedicated pin code to pair the two Jabra products. Consult the Jabra A210 adaptor user manual for more information.

**Making/answering a call when using the Jabra A210**

- When you make a call from your mobile phone, the call will automatically transfer to headset (if it is turned on)
- To answer a call: either tap the answer/end button on your headset, open the boom arm or press the answer button on your mobile phone

**12. Troubleshooting & FAQ****I hear crackling noises**

- For the best audio quality, always wear your headset on the same side of the body as the mobile phone

**I cannot hear anything in my headset**

- Increase the volume in the headset
- Ensure that the headset is paired with the phone
- Make sure that the phone is connected to the headset – if it does not connect either from the phone's Bluetooth menu or by tapping the answer/end button, follow the pairing procedure (see section 3)

**I have pairing problems even though my phone indicates otherwise**

- You may have deleted your headset pairing connection in your mobile phone. Follow the pairing instructions in section 3.

**Will the Jabra BT5020 work with other Bluetooth equipment?**

- The Jabra BT5020 is designed to work with Bluetooth mobile phones. It can also work with other Bluetooth devices that are compliant with Bluetooth version 1.1, 1.2 or 2.0 and support a headset and/or hands-free profile.

**13. Need more help?**

See the inside cover for your country's support details.

**14. Taking care of your headset**

- Always store the Jabra BT5020 with the power off and safely protected.
- Avoid storage at extreme temperatures (above 45°C/113°F – including direct sunlight – or below -10°C/14°F). This can shorten battery life and may affect operation. High temperatures may also degrade performance.
- Do not expose the Jabra BT5020 to rain or other liquids.

**15. Warranty**

Jabra (GN Netcom) warrants this product against all defects in material and workmanship for a period of two years from the date of original purchase. The conditions of this warranty and our responsibilities under this warranty are as follows:

- The warranty is limited to the original purchaser
- A copy of your receipt or other proof of purchase is required
- The warranty is void if the serial number, date code label or product label is removed, or if the product has been subject to physical abuse, improper installation, modification, or repair by unauthorized third parties
- The responsibility of Jabra (GN Netcom) products shall be limited to the repair or replacement of the product at its sole discretion
- Any implied warranty on Jabra (GN Netcom) products is limited to two years from the date of purchase on all parts, including any cords and connectors
- Specifically exempt from any warranty are limited-life consumable components subject to normal wear and tear, such as microphone windscreens, ear cushions, decorative finishes, batteries, and other accessories
- Jabra (GN Netcom) is not liable for any incidental or consequential damages arising from the use or misuse of any Jabra (GN Netcom) product
- This warranty gives you specific rights and you may have other rights which vary from area to area
- Unless otherwise instructed in the User Manual, the user may not, under any circumstances, attempt to perform service, adjustments or repairs on this unit, whether in or out of warranty. It must be returned to the purchase point, factory or authorized service agency for all such work
- Jabra (GN Netcom) will not assume any responsibility for any loss or damage incurred in shipping. Any repair work on Jabra (GN Netcom) products by unauthorized third parties voids any warranty

**16. Certification and safety approvals****CE**

This product is CE marked according to the provisions of the R & TTE Directive (99/5/EC). Hereby, GN Netcom, declares that this product is in compliance with the essential requirements and other relevant provisions of Directive 1999/5/EC.

For further information please consult <http://www.jabra.com>

Within the EU this device is intended to be used in Austria, Belgium, Cyprus, Czech Republic, Denmark, Estonia, Finland, France, Germany, Greece,



**GB** Hungary, Ireland, Italy, Latvia, Lithuania, Luxembourg, Malta, Poland, Portugal, Slovakia, Slovenia, Spain, Sweden, The Netherlands, United Kingdom, and within EFTA in Iceland, Norway and Switzerland.

F

ES

PT

DE

IT

NL

SU

NO

SE

DK

GR

### Bluetooth

The Bluetooth® word mark and logos are owned by the Bluetooth SIG, Inc. and any use of such marks by GN Netcom is under license. Other trademarks and trade names are those of their respective owners.

## 17. Glossary

**Bluetooth** is a radio technology that connects devices, such as mobile phones and headsets, without wires or cords over a short distance (approx. 33 feet). Get more information at [www.bluetooth.com](http://www.bluetooth.com).

**Bluetooth profiles** are the different ways that Bluetooth devices communicate with other devices. Bluetooth phones support either the headset profile, the hands-free profile or both. In order to support a certain profile, a phone manufacturer must implement certain mandatory features within the phone's software.

**Pairing** creates a unique and encrypted link between two Bluetooth devices and lets them communicate with each other. Bluetooth devices will not work if the devices have not been paired.

**Passkey or PIN** is a code that you enter on your Bluetooth enabled music device (e.g. a mobile phone) to pair it with your Jabra BT125. This makes your device and the Jabra BT125 recognize each other and automatically work together.

**Standby mode** is when the Jabra BT125 is passively waiting for a call. When you 'end' a call on your mobile phone, the headset goes into standby mode.



Dispose of the product according to local standards and regulations.  
[www.jabra.com/weee](http://www.jabra.com/weee)