

© 2016 GN Audio A/S. All rights reserved. Jabra® is a trademark of GN Audio A/S. The Bluetooth® word mark and logos are registered trademarks owned by the Bluetooth SIG, Inc. and any use of such marks by GN Audio A/S is under license. Other trademarks and trade names are those of their respective owners.

---

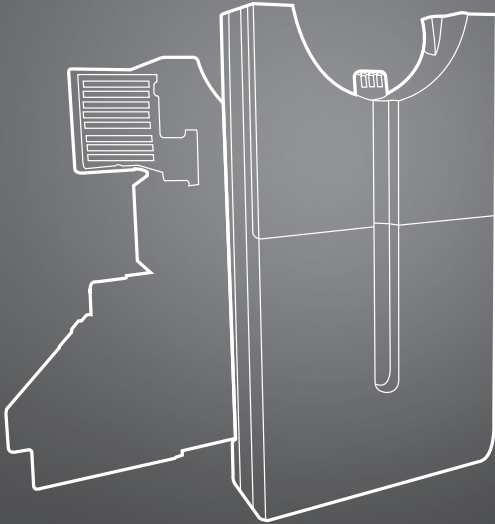
MADE IN CHINA  
MODEL: xxxxxx



---

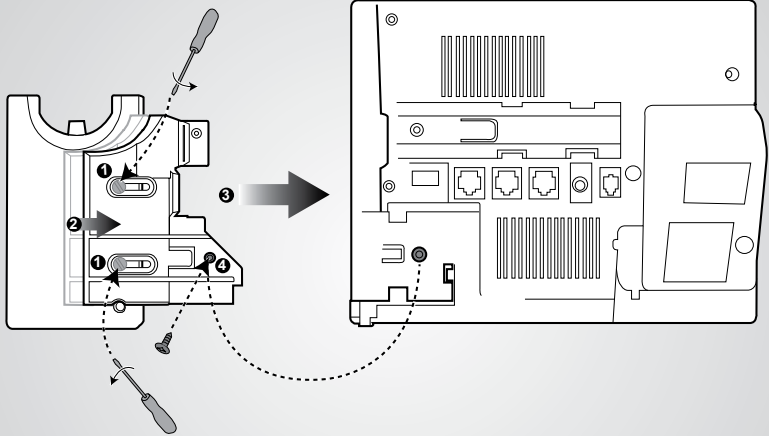
**Declaration of Conformity** can be found on  
[www.jabra.com/CP/US/declarations-of-conformity](http://www.jabra.com/CP/US/declarations-of-conformity)

Jabra  
Pro 930

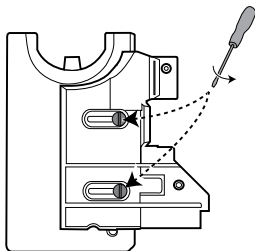


# Quick start guide

# Attaching Jabra Triton to your desk phone

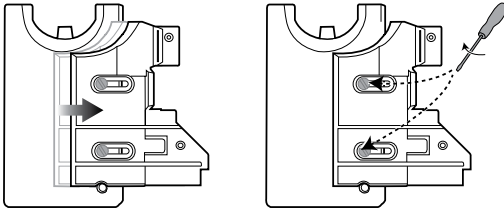


## 1 Loosen the screws



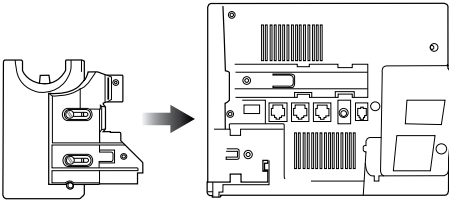
## 2 XXXXXXXXXXXX.

Slide the attachment fully open, and retighten the screws.



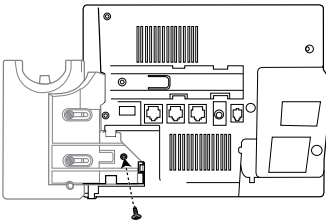
## 3 XXXXXXXXXXXX.

Attach the dock to the back of the phone.



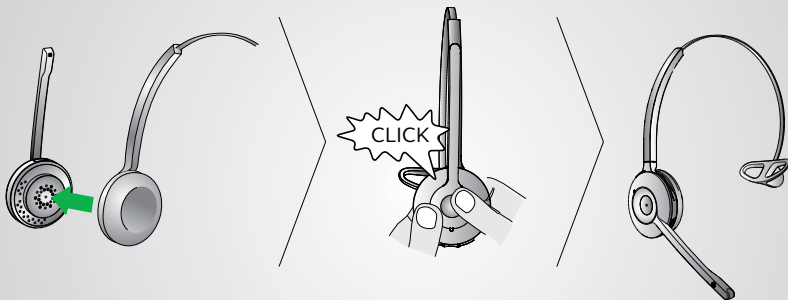
## 4 XXXXXXXXXXXX.

Insert the screw and tighten it.



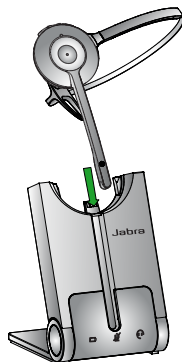
# Assembling the headset

- 1.Align the headset and the headband attachment, as illustrated, and press firmly together until they click into place (snap-to-click).
- 2.Rotate the microphone boom arm for left or right ear use.
- 3.Adjust the length of the headband for the optimal fit.

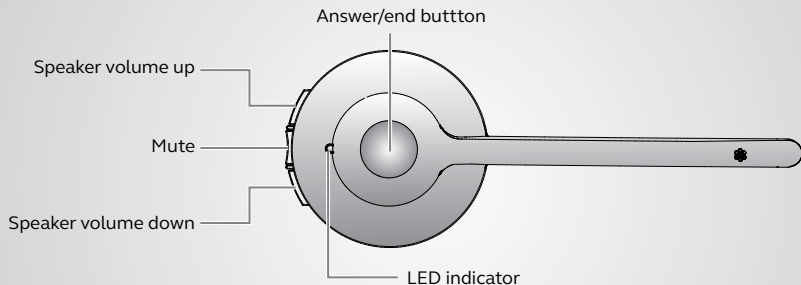


# Charging the headset

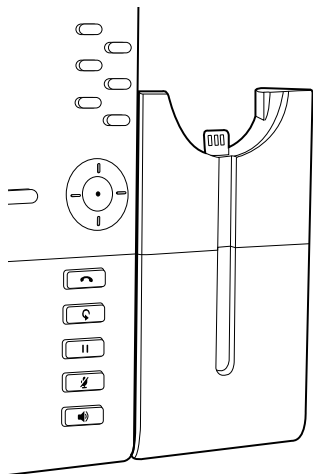
Dock the headset in the base. When docked correctly the headset battery will begin charging. It takes approx. XX hours to fully charge the headset.



# Using the headset



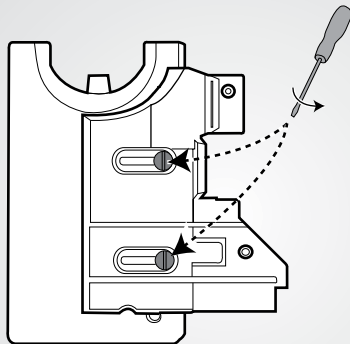
# Using the base



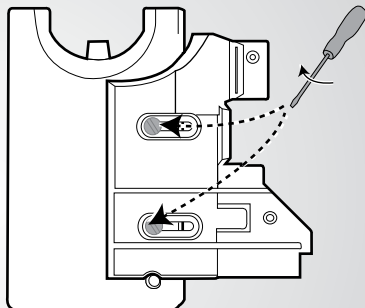
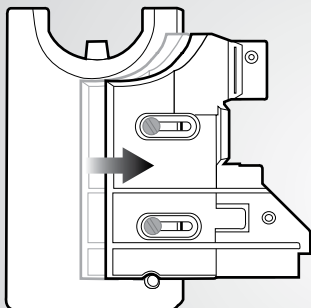
## LED Status

	Battery charging (slow flash)
	Full battery
	Medium battery
	Low battery
	Very low battery (fast flash)
	Microphone muted
	Active audio link between headset and base
	Searching for headset

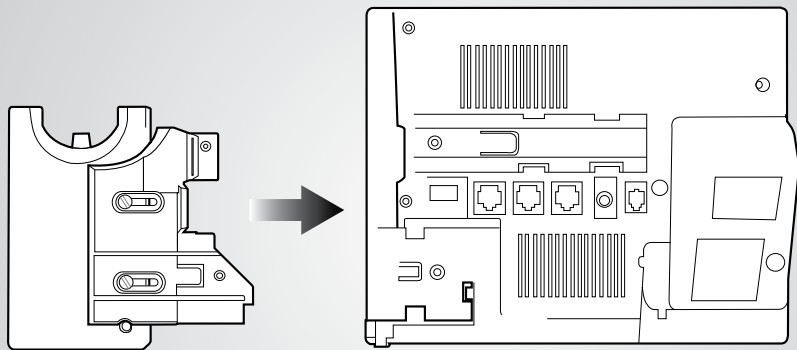
# 1 Loosen the screws



# 2 Slide the attachment and retighten



### 3 Attach the dock



### 4 Insert the screw and tighten

