

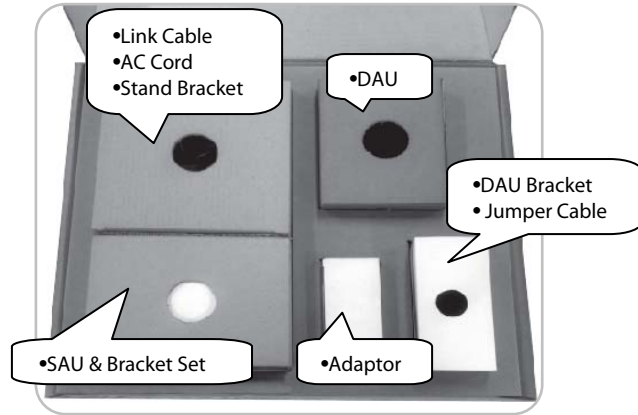
Package

SMR Unit

* DAU (Donor Antenna Unit)



* SAU (Service Antenna Unit)



Accessories

◇ AC/DC Adaptor



* 197 ft Link Cable



* DAU Bracket & Jumper Cable



* SAU Stand Bracket

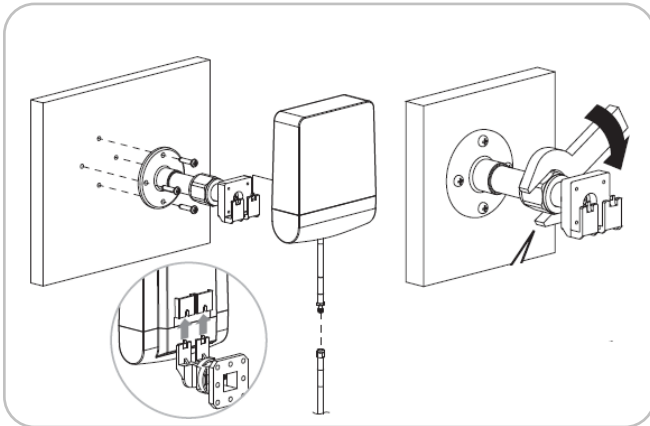


* SAU Bracket



SMR Installation

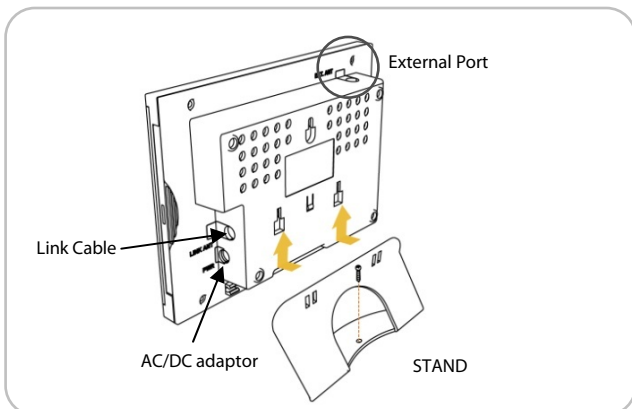
◇ Donor Antenna Unit (DAU)



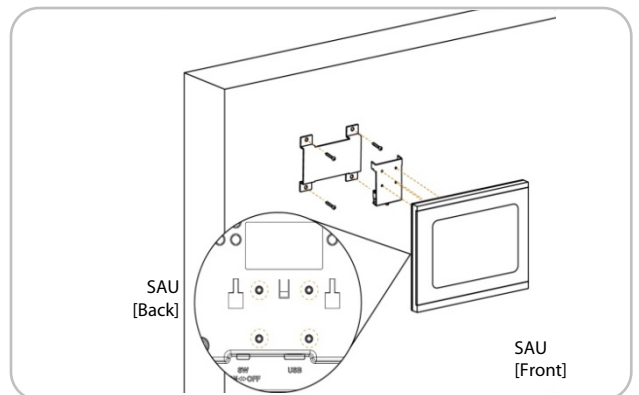
◇ Standard Operation

- Plug & Play
- Auto Level Control, Auto Gain Control, Auto Isolation Check
- Input Level -67dBm ~ -37dBm
- Output Power of SAU +13dBm

◇ Service Antenna Unit (SAU)



◇ Service Antenna Unit (SAU)

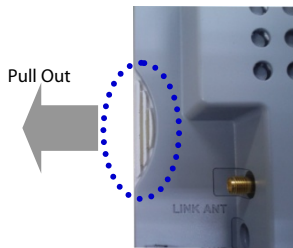


LED indicators

NO	Items	LED Indications	Explanations
1	Checking	Alarm → GREEN LED Blinking Power → GREEN LED Blinking	Auto Setup
2	Normal	Alarm → Green LED ON Power → Green LED ON	Standard operation
3	Alarm	Alarm → GREEN LED Blinking Power → OFF	Low Input Signal from DAU
4	Alarm	Alarm → GREEN LED Blinking Repeatedly Power → GREEN LED Blinking Repeatedly	Isolation Re-Check
5	Alarm	Alarm → OFF Power → RED LED ON	Low Input Voltage (Feeding to DAU)
6	Alarm	Alarm → RED LED ON Power → RED LED ON	Link Fail between DAU and SAU
7	Alarm	Alarm → Red LED Blinking Repeatedly Power → Red LED Blinking Repeatedly	Shutdown Condition
8	Alarm	Alarm → RED LED Blinking Power → RED LED Blinking	Lack of Isolation between DAU and SAU



Picture Frame



◆ Picture Size: 4 X 6 [inch]

Specifications

ITEM		SPECIFICATIONS	REMARKS
Frequency Range	Down Link	746 – 756 MHz	
	Up Link	777 – 787 MHz	
Band Width		10MHz	
Gain	Down Link	50 ~80dB ± 1dB	AGC dynamic Range: 30dB
	Up Link	50~ 80dB ± 1dB	
Composite Output Power	Down Link	+13dBm/Total	
	Up Link	+13dBm/Total	
Shutdown Level		+15dBm ± 2dB	Over 5sec standing
Group Delay		< 6usec	
EVM (Error Vector Magnitude)		DL: < 8% @CPL15dB, UL:12.5% @CPL15dB	

ITEM		SPECIFICATIONS	REMARKS
Size	DAU	6.22 × 5 × 1.96	H*W*D [inch]
	SAU	5.7 × 7.67 × 1.65	H*W*D [inch]
Weight		1.63 lbs	each DAU, SAU
Link Cable	Length	196.85 ft	RG174/1.5D(2.6mm)
	Connector	SMA(M)	DAU to SAU direction
Power Consumption		≤ 18W	external adaptor 12V/3.5A
Operating Temperature		+14° F ~ +122° F	
Humidity		0% ~ 95%	



Warning: Exposure to Radio Frequency Radiation The radiated output power of this device is far below the FCC radio frequency exposure limits. Nevertheless, the device should be used in such a manner that the potential for human contact during normal operation is minimized. In order to avoid the possibility of exceeding the FCC radio frequency exposure limits, human proximity to the antenna should not be less than 20cm during normal operation. The gain of the antenna is 0 dBi. The antenna(s) used for this transmitter must not be co-located or operating in conjunction with any other antenna or transmitter.

Warning: In order to avoid the possibility of exceeding the FCC radio frequency exposure limits, human proximity to the antenna should not be less than 20cm during normal operation.

The gain of the antenna is 0 dBi.